

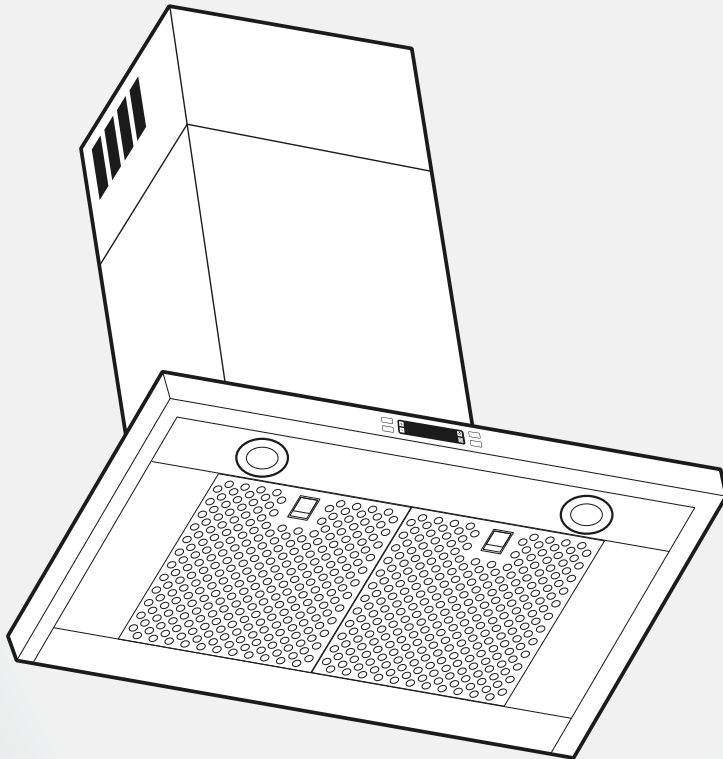
# Use, Care, and Installation Guide

---

Guide  
d'utilisation,  
d'entretien et  
d'installation

---

Guía de  
instalación, uso y  
mantenimiento



READ AND SAVE THESE  
INSTRUCTIONS

---

LISEZ CES  
INSTRUCTIONS ET  
CONSERVEZ-LES

---

LEA Y CONSERVE  
ESTAS INSTRUCCIONES

**Models:** | ELG630S2  
ELG636S2

**Contents**

Important safety notice..... 3

    Electrical & Installation requirements ..... 4

    Before installing the hood ..... 4

Dimensions and Clearances..... 4

List of Materials..... 5

    Parts supplied ..... 5

    Parts not supplied ..... 5

Ducting Options and Examples..... 6

Installation (Ducted version)..... 6

Installation (Recirculating version)..... 9

Description of the hood..... 12

Control..... 12

Maintenance ..... 13

Warranty ..... 15

**APPROVED FOR RESIDENTIAL APPLIANCES  
FOR RESIDENTIAL USE ONLY  
READ AND SAVE THESE INSTRUCTIONS**

**PLEASE READ ENTIRE INSTRUCTIONS BEFORE PROCEEDING.  
INSTALLATION MUST COMPLY WITH ALL LOCAL CODES.**

**IMPORTANT:** Save these Instructions for the Local Electrical Inspector’s use.

**INSTALLER:** Please leave these Instructions with this unit for the owner.

**OWNER:** Please retain these instructions for future reference.

**Safety Warning:** Turn off power circuit at service panel and lock out panel, before wiring this appliance.

**Requirement:** 120 V AC, 60 Hz. 15 or 20 A Branch Circuit

## I IMPORTANT SAFETY NOTICE

### I CAUTION

FOR GENERAL VENTILATING USE ONLY. DO NOT USE TO EXHAUST HAZARDOUS OR EXPLOSIVE MATERIALS OR VAPOURS.

### I WARNING

TO REDUCE THE RISK OF FIRE, ELECTRIC SHOCK, OR INJURY TO PERSONS, OBSERVE THE FOLLOWING:

- A. Use this unit only in the manner intended by the manufacturer. If you have questions, contact the manufacturer.
- B. Before servicing or cleaning the unit, switch power off at service panel and lock service panel disconnecting means to prevent power from being switched on accidentally.  
When the service disconnecting means cannot be locked, securely fasten a prominent warning device, such as a tag, to the service panel.
- C. Installation work and electrical wiring must be done by qualified person(s) in accordance with all applicable codes & standards, including fire-rated construction.
- D. Sufficient air is needed for proper combustion and exhausting of gases through the flue (Chimney) of fuel burning equipment to prevent back-drafting.  
Follow the heating equipment manufacturers guideline and safety standards such as those published by the national Fire Protection Association (NFPA), the American Society For Heating, Refrigeration And Air Conditioning Engineers (ASHRAE), and the local code authorities.
- E. When cutting or drilling into wall or ceiling, do not damage electrical wiring and other hidden utilities.
- F. Ducted systems must always be vented to the outdoors.

### I CAUTION

To reduce risk of fire and to properly exhaust air, be sure to duct air outside - do not vent exhaust air into spaces within walls, ceilings, attics, crawl spaces, or garages.

### I WARNING

TO REDUCE THE RISK OF FIRE, USE ONLY METAL DUCT WORK.

Install this hood in accordance with all requirements specified.

### I WARNING

To reduce the risk of fire or electric shock, do not use this hood with any external solid state speed control device.

### I WARNING

TO REDUCE THE RISK OF A RANGE TOP GREASE FIRE.

- a) Never leave surface units unattended at high settings. Boilovers cause smoking and greasy spillovers that may ignite. Heat oils slowly on low or medium settings.
- b) Always turn hood ON when cooking at high heat or when flambeing food (I.e. Crepes Suzette, Cherries Jubilee, Peppercorn Beef Flambe').
- c) Clean ventilating fans frequently. Grease should not be allowed to accumulate on fan or filter.
- d) Use proper pan size. Always use cookware appropriate for the size of the surface element.

### I WARNING

TO REDUCE THE RISK OF INJURY TO PERSONS, IN THE EVENT OF A RANGE TOP GREASE FIRE, OBSERVE THE FOLLOWING:<sup>a</sup>

- a) SMOTHER FLAMES with a close-fitting lid, cookie sheet, or other metal tray, then turn off the gas burner or the electric element. BE CAREFUL TO PREVENT BURNS. If the flames do not go out immediately, EVACUATE AND CALL THE FIRE DEPARTMENT.
- b) NEVER PICK UP A FLAMING PAN - you may be burned.
- c) DO NOT USE WATER, including wet dishcloths or towels - a violent steam explosion will result.
- d) Use an extinguisher **ONLY** if:
  - 1) You know you have a class ABC extinguisher, and you already know how to operate it.
  - 2) The fire is small and contained in the area where it started.
  - 3) The fire department is being called.
  - 4) You can fight the fire with your back to an exit.

<sup>a</sup>Based on "Kitchen Fire Safety Tips" published by NFPA.

### OPERATION

Always leave safety grills and filters in place. Without these components, operating blowers could catch onto hair, fingers and loose clothing.

The manufacturer declines all responsibility in the event of failure to observe the instructions given here for installation, maintenance and suitable use of the product. The manufacturer further declines all responsibility for injury due to negligence and the warranty of the unit automatically expires due to improper maintenance.

### I CAUTION

Automatically Operated Device - To Reduce The Risk Of Injury Disconnect From Power Supply Before Servicing.

# ELECTRICAL & INSTALLATION REQUIREMENTS

## IMPORTANT

Observe all governing codes and ordinances.

It is the customer's responsibility:

- To contact a qualified electrical installer.
- To assure that the electrical installation is adequate and in conformance with National Electrical Code, ANSI/NFPA 70 — latest edition\*, or CSA Standards C22.1-94, Canadian Electrical Code, Part 1 and C22.2 No.0-M91-latest edition\*\* and all local codes and ordinances.
- If codes permit and a separate ground wire is used, it is recommended that a qualified electrician determine that the ground path is adequate.
- Do not ground to a gas pipe.
- Check with a qualified electrician if you are not sure range hood is properly grounded.
- Do not have a fuse in the neutral or ground circuit.

## IMPORTANT

- Save Installation Instructions for electrical inspector's use.
- The range hood must be connected with copper wire only.
- The range hood should be connected directly to the fused disconnect (Or circuit breaker) box through metal electrical conduit.
- Wire sizes must conform to the requirements of the National Electrical Code ANSI/NFPA 70 — latest edition\*, or CSA Standards C22.1-94, Canadian Electrical Code Part 1 and C22.2 No. 0-M91 - latest edition\*\* and all local codes and ordinances.

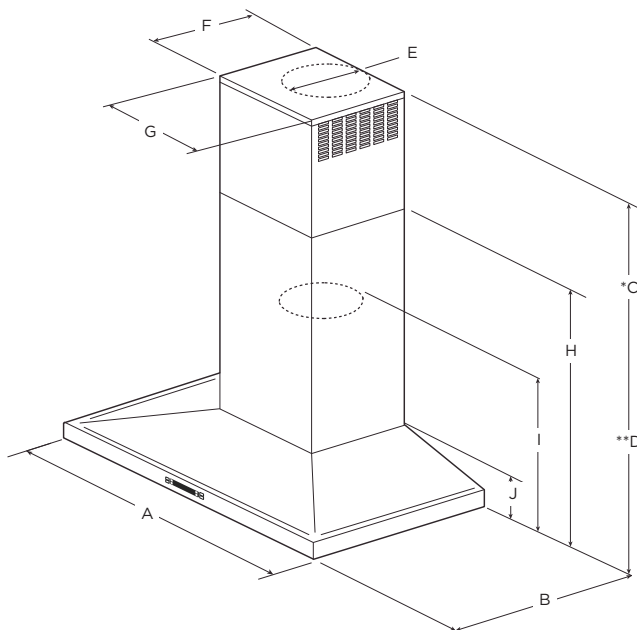
- A U.L.- or C.S.A.-listed conduit connector must be provided at each end of the power supply conduit (at the range hood and at the junction box).

Copies of the standards listed may be obtained from:  
 \* National Fire Protection Association Batterymarch Park Quincy, Massachusetts 02269  
 \*\* CSA International 8501 East Pleasant Valley Road Cleveland, Ohio 44131-5575

## BEFORE INSTALLING THE HOOD

- 1 For the most efficient air flow exhaust, use a straight run or as few elbows as possible.  
 CAUTION: Vent unit to outside of building, only.
- 2 At least two people are necessary for installation.
- 3 Fittings material is provided to secure the hood to most types of walls/ceilings, consult a Qualified Installer, check if they perfectly fit with your cabinet/wall.
- 4 Do not use flex ducting.
- 5 COLD WEATHER installations should have an additional backdraft damper installed to minimize backward cold air flow and a nonmetallic thermal break to minimize conduction of outside temperatures as part of the ductwork. The damper should be on the cold air side of the thermal break. The break should be as close as possible to where the ducting enters the heated portion of the house.
- 6 Make up air: Local building codes may require the use of Make-Up Air Systems when using Ducted Ventilation Systems greater than specified CFM of air movement. The specified CFM varies from locale to locale. Consult your HVAC professional for specific requirements in your area.

# DIMENSIONS AND CLEARANCES



	Models	
	ELG630S2	ELG636S2
<b>A</b>	30" (76 cm)	36" (91.2 cm)
<b>B</b>	19 <sup>1</sup> / <sub>16</sub> " (50 cm)	
<b>C*</b>	Max: 42 <sup>5</sup> / <sub>8</sub> " (108.2 cm) Min: 28 <sup>5</sup> / <sub>16</sub> " (71.9 cm)	
<b>D**</b>	Max: 36 <sup>15</sup> / <sub>16</sub> " (93.8 cm) Min: 24 <sup>5</sup> / <sub>16</sub> " (62.5 cm)	
<b>E</b>	6" (15.24 cm)	
<b>F</b>	10 <sup>3</sup> / <sub>4</sub> " (27.3 cm)	
<b>G</b>	13 <sup>3</sup> / <sub>16</sub> " (33.5 cm)	
<b>H</b>	28 <sup>9</sup> / <sub>16</sub> " (73 cm)	
<b>I</b>	20 <sup>1</sup> / <sub>2</sub> " (52 cm)	
<b>J</b>	5" (12.7 cm)	

\* Ductless (Recirculating) version  
 \*\* Ducted version

# LIST OF MATERIALS

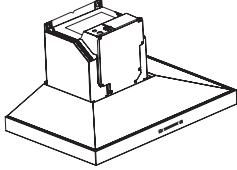
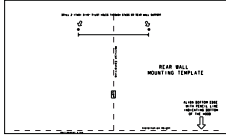

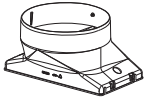



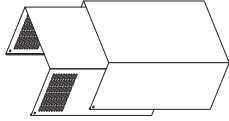

Removing the packaging.

**| CAUTION**

Remove carton carefully, Wear gloves to protect against sharp edges.

**| WARNING**

Remove the protective film covering the product before putting into operation.

Supplied Part	Pieces	Supplied Part	Pieces
 Hood assembly with blower	1	 Mounting template	1
 5x45 mm	6	 6" round air transition	1
 4.2x8 mm	8	 Duct cover bracket	1
 3.5x9.5 mm	2	 Duct covers	2
 8x40 mm	6		

Parts no supplied

**Tools/Materials required**

- Wire nuts
- Tape to mount template
- 6" (15.2 cm) rounded metal duct length to suit installation
- Measuring tape
- Pliers
- Gloves
- Knife
- Safety glasses
- Electric drill with 5/16" and 3/8" Bits
- Strain relief
- Spirit level
- Duct tape
- Screwdrivers:
  - Phillips (Posidrive) # 2
  - Torx # 2
- Wire cutter/stripper
- Masking tape
- Hammer
- Saw, jig saw or reciprocating saw

**Optional Accessories and Consumable Parts**

**Ductless Recirculating Kit**

To be used only in the Ductless (Recirculating) version includes: charcoal filter, charcoal filter support and fixing bracket, deflector.

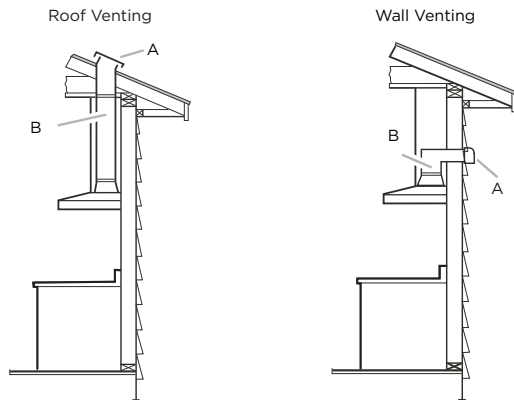
## Ducting options

Closely follow the instructions set out in this manual.

All responsibility, for any eventual inconveniences, damages or fires caused by not complying with the instructions in this manual, is declined.

### Ducting version

The hood is equipped with a 6" (15.2 cm) round transition for discharge of fumes to the outside.



A. Roof cap  
B. 6" (15.2 cm) round vent

A. Wall cap  
B. 6" (15.2 cm) round vent

### Preparation

Do not cut a joist or stud unless absolutely necessary. If a joist or stud must be cut, then a supporting frame must be constructed.

Fittings material is provided to secure the hood to most types of walls/ceilings.

However, a qualified technician must verify suitability of the materials in accordance with the type of wall/ceiling.

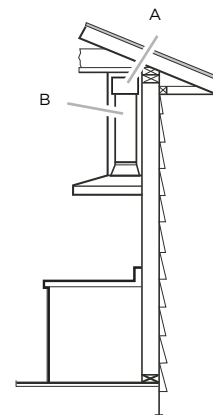
Before making cutouts, make sure there is proper clearance within the ceiling or wall for exhaust vent.

### Recommended installation height:

Hood installation height above cooktop is the users preference, as long as the recommended measures has been respected. The lower the hood is above the cooktop, the more efficient the capturing of cooking odors, grease and smoke.

### Ductless (Recirculating)

In cases where it should not be possible to discharge cooking fumes and vapour to the outside. Attach a charcoal filter and the deflector on the duct cover support bracket. Fumes and vapours are recycled through the top grille by means of a duct connected to the transition and the transition mounted on the deflector. For this version only: purchase the Ductless Recirculating Kit. Minimum Duct Size: 6" Round Pipe.



A. Deflector  
B. 6" (15.2 cm) round vent

### CAUTION

FOR GAS RANGES INSTALLATION: MOUNT THIS HOOD SO THAT THE BOTTOM EDGE IS AT 30" (76,2 CM) ABOVE THE COOKING SURFACE.

FOR ELECTRIC RANGES INSTALLATION: MOUNT THIS HOOD SO THAT THE BOTTOM IS NOT LESS THAN 24" (61 CM) AND NOT MORE THAT 30" (76,2 CM) ABOVE THE COOKING SURFACE.

HOUSEHOLD USE. PLEASE, READ INSTALLATION MANUAL FOR SPECIFIC APPLICATION.

Check your ceiling height and the hood height maximum before you select your hood.

## Installation- Ducted version

- If possible, disconnect and move freestanding or slide-in range from cabinet opening to provide easier access to rear wall. Otherwise put a thick, protective covering over countertop, cooktop or range to protect from damage and debris. Select a flat surface for assembling the unit. Cover that surface with a protective covering and place all canopy hood parts and hardware in it.
- Determine and mark the centerline on the wall where the canopy hood will be installed.
- Select a mounting height comfortable for the user and mark on wall.
- Tape template, matching center-line and hood bottom.

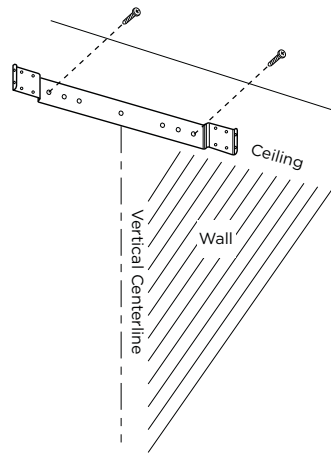
### Mounting the duct cover bracket

The duct bracket should be installed against the back wall and flush with the ceiling.

This bracket will hold the telescopic duct cover in place at the top.

### Secure the bracket to the wall:

- Align the marked centerline on the bracket with the centerline on the wall.
- Mark 2 screw hole locations in the wall.
- Drill  $\frac{5}{16}$ " pilot holes in the marked locations.
- Install wall fastener anchors.
- Drive wood screws, by hand, into the fastener to allow anchors to expand. Remove the screws.
- Secure the bracket to the wall with wood screws and/or fasteners.



### Ceiling ducting

If the duct will vent straight up to the ceiling:

- Use level to draw a line straight up, from the centerline on the template to the ceiling.
- Measure at least 4 5/8" from the back wall to the circle center of an 6 1/2" hole on the ceiling.

### Wall ducting

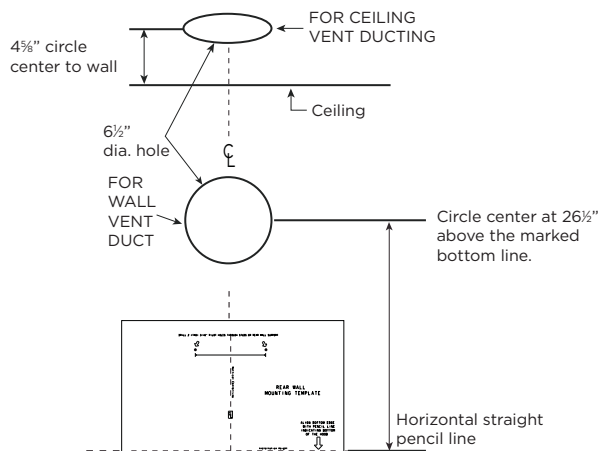
If ductwork will vent to rear:

**NOTE:** for minimum duct cover extension we suggest to use a round to rectangle duct adapter.

- Use a level to draw a line straight up from the centerline on the template.
- Measure at least 26 1/2" (the measure might vary depending on the elbow used) above the pencil line that indicates the bottom installation height, to the circle center of an 6 1/2" diameter duct hole (hole may be elongated for duct elbow).

### House wiring location

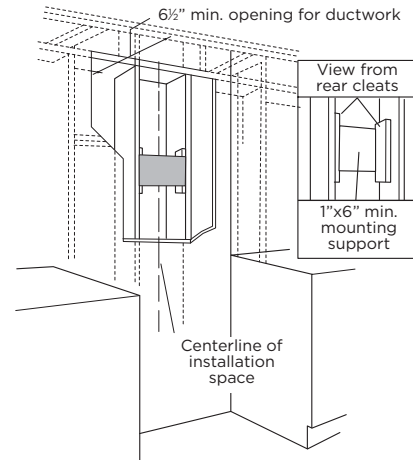
- The junction box is located on the top left side of the hood.
- Wiring should enter the back wall at least 20 1/4" above the bottom of the installation height, and within 7 5/8" and 4 7/8" of the left side of the centerline.



### Install framing for hood support

- If drywall is present, mark the screw hole locations. Remove the template.
- Cut away enough drywall to expose 2 vertical studs at the holes location indicated by the template. Install two horizontal supports at least 4" x 2" between two wall studs at the bottom and upper mounting holes installation location.
- The horizontal support must be flush with the room side of the studs. Use cleats behind both sides of the support to secure to wall studs.
- Reinstall drywall and refinish.

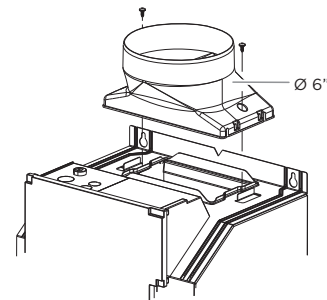
**IMPORTANT:** Framing must be capable of supporting 100 lbs.



### Mounting the hood

Install the 6" round transition as shows the image below.

The installation screws and the 6" round transition are included on the hood package.



### WARNING

2 PEOPLE ARE REQUIRED TO LIFT AND POSITION THE HOOD ONTO THE MOUNTING SCREWS.

- Place the template on the wall along the horizontal line, make sure the template is leveled and centered with the centerline.
- Mark "upper" screw holes locations in the wall. **IMPORTANT.** Check to be sure that hole locations are leveled and correctly centered by the vertical centerline.
- Drive "upper" wood screws by hand. Leave 1/4" of distance between the screw head and the wall.
- Remove the grease filter and mount the hood onto the "upper" screws.

## Electrical Connection

**WARNING**  
ELECTRICAL SHOCK HAZARD.

**WARNING**  
TURN OFF POWER CIRCUIT AT THE SERVICE PANEL BEFORE WIRING THIS UNIT.  
120 VAC, 15 OR 20 AMP CIRCUIT REQUIRED.

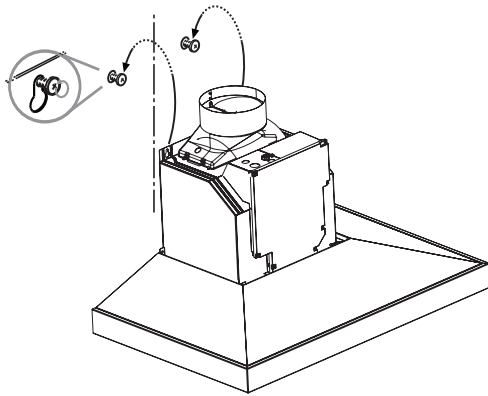
### ELECTRICAL GROUNDING INSTRUCTIONS

This appliance is fitted with an electrical junction box with 3 wires, one of which (green/yellow) serves to ground the appliance.

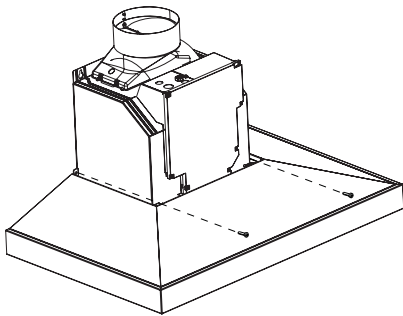
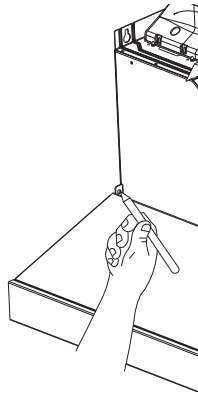
To protect you against electric shock, the green and yellow wire must be connected to the grounding wire in your home electrical system, and it must under no circumstances be cut or removed.

Failure to do so can result in death or electrical shock.

Facing the front of the range hood, remove the left knockout and the Junction box cover and install the conduit connector (cULus listed) in junction box.

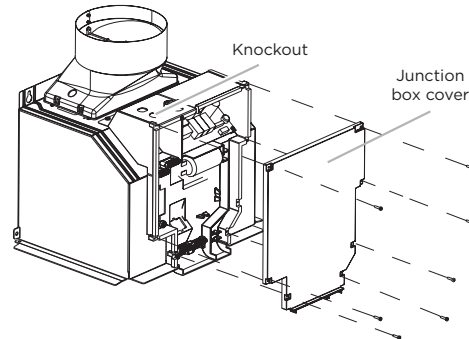
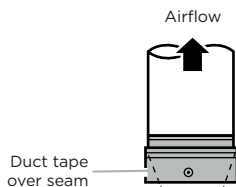


- Mark "lower" wood screw holes locations in the wall using a pencil.
- Remove the hood.
- Drive "lower" wood screws, by hand. Remove screws.
- Mount the hood onto the "upper" screws.
- Drive and tighten the "upper" wood screws, by hand.
- Drive and tighten the "lower" wood screws, by hand.

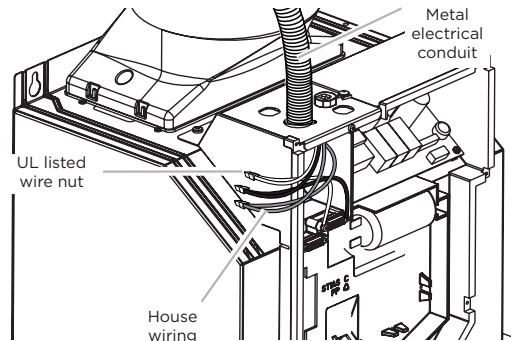


### Connecting the ductwork

- Install ductwork, making connections in the direction of airflow as illustrated.
- Push duct over the exhaust outlet.
- Wrap all duct joints and the flange connections with duct tape for an airtight seal.
- Make the same connection in the wall or ceiling vent exit.



- If not already done, install ½" conduit connector in j-box.
- Use UL listed wire connectors and connect black wires together.
- Use UL listed wire connectors and connect white wires together.
- Connect green (or bare) ground wire from home power supply to yellow-green ground wire in terminal box using UL listed wire connectors.
- Install terminal box cover.



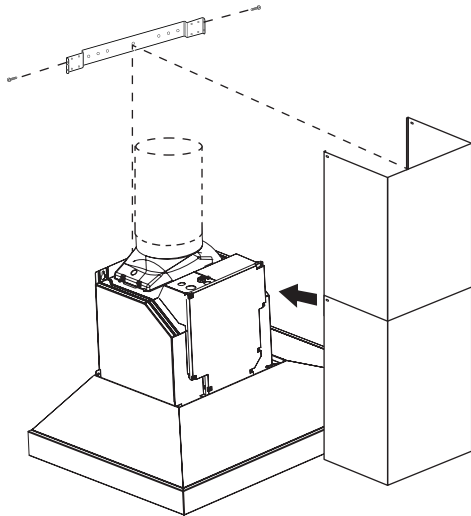
### Mounting the duct cover

**Note: Upper Duct Cover may be placed upside down to hide (or unhide) louver holes.**

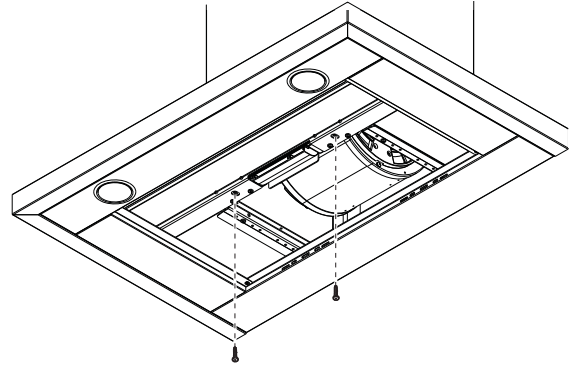
- Position the duct cover over the mounted hood.
- Slide the bottom of the duct into the canopy area.
- Position the top of the duct over the duct mounting bracket. If a telescopic duct cover is used, grab the upper part of the telescopic duct cover, pull it and place it in the duct cover mounting bracket.



- Secure the top of the duct with 2 assembly screws provided.



- Secure the bottom of the duct with 2 assembly screws provided.



- Install the grease filter and turn power on at service panel. Check operation of the hood.

**If range hood does not operate:**

- Check that the circuit breaker is not tripped or the house fuse blown.
- Disconnect power supply. Check that wiring is correct.

To get the most efficient use from your new range hood, read the "Description of the Hood" and "Control" sections.

Keep your Installation Instructions and Use and Care Guide close to range hood for easy reference.

## Installation- Ductless (Recirculating) version

**CAUTION**  
To install the hood in this version, first purchase the **Ductless Recirculating Kit**.  
**includes:** charcoal filter and deflector

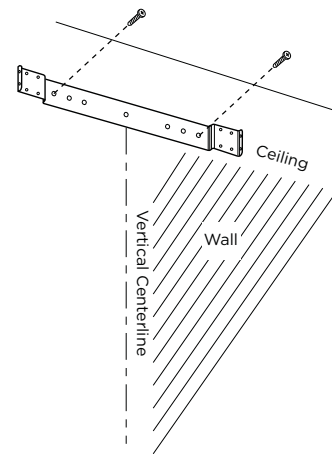
- If possible, disconnect and move freestanding or slide-in range from cabinet opening to provide easier access to rear wall. Otherwise put a thick, protective covering over countertop, cooktop or range to protect from damage and debris. Select a flat surface for assembling the unit. Cover that surface with a protective covering and place all canopy hood parts and hardware in it.
- Determine and mark the centerline on the wall where the canopy hood will be installed.
- Select a mounting height comfortable for the user and mark on wall.
- Tape template, matching center-line and hood bottom.

**Mounting the duct cover bracket**

The duct bracket should be installed against the back wall and flush with the ceiling. This bracket will hold the telescopic duct cover in place at the top.

**Secure the bracket to the wall:**

- Align the marked centerline on the bracket with the centerline on the wall.
- Mark 2 screw hole locations in the wall.
- Drill 5/16" pilot holes in the marked locations.
- Install wall fastener anchors.
- Drive wood screws, by hand, into the fastener to allow anchors to expand. Remove the screws.
- Secure the bracket to the wall with wood screws and/or fasteners.



**House wiring location**

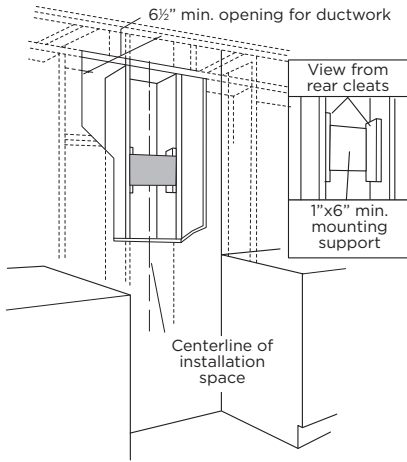
- The junction box is located on the top left side of the hood.
- Wiring should enter the back wall at least 20 1/4" above the bottom of the installation height, and within 7 5/8" and 4 7/8" of the left side of the centerline.

**Install framing for hood support**

- If drywall is present, mark the screw hole locations. Remove the template.
- Cut away enough drywall to expose 2 vertical studs at the holes location indicated by the template. Install two horizontal supports at least 4" x 2" between two wall studs at the bottom and upper mounting holes installation location.

- The horizontal support must be flush with the room side of the studs. Use cleats behind both sides of the support to secure to wall studs.
- Reinstall drywall and refinish.

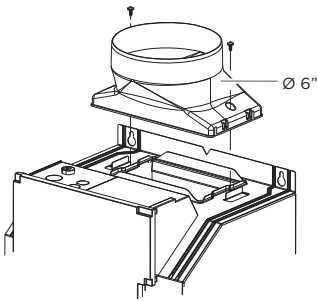
**IMPORTANT:** Framing must be capable of supporting 100 lbs.



### Mounting the hood

Install the 6" round transition as shows the image below.

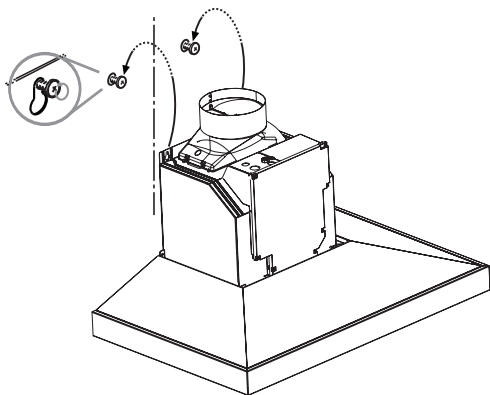
The installation screws and the 6" round transition are included on the hood package.



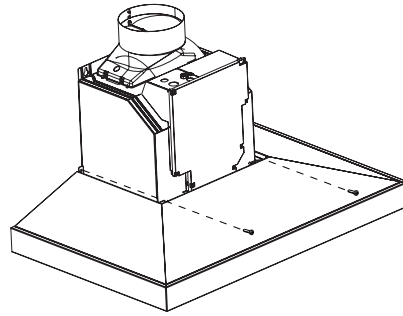
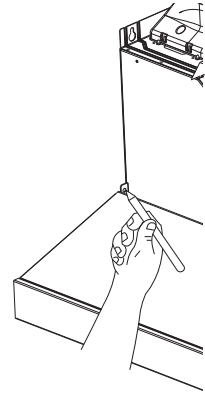
### WARNING

2 PEOPLE ARE REQUIRED TO LIFT AND POSITION THE HOOD ONTO THE MOUNTING SCREWS.

- Place the template on the wall along the horizontal line, make sure the template is leveled and centered with the centerline.
- Mark "upper" screw holes locations in the wall.
- **IMPORTANT.** Check to be sure that hole locations are leveled and correctly centered by the vertical centerline.
- Drive "upper" wood screws by hand. Leave 1/4" of distance between the screw head and the wall.
- Remove the grease filter and mount the hood onto the "upper" screws.

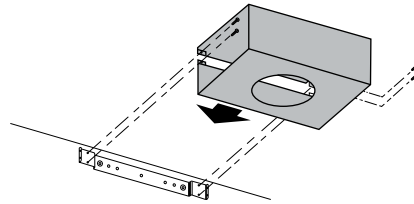


- Mark "lower" wood screw holes locations in the wall using a pencil.
- Remove the hood.
- Drive "lower" wood screws, by hand. Remove screws.
- Mount the hood onto the "upper" screws.
- Drive and tighten the "upper" wood screws, by hand.
- Drive and tighten the "lower" wood screws, by hand.

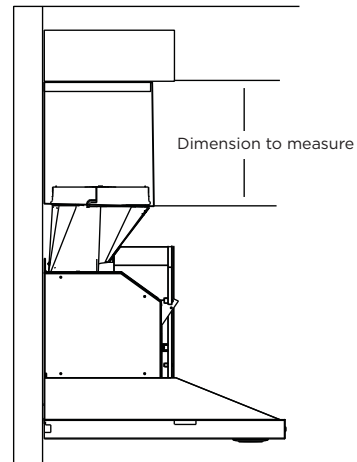


### Air deflector installation

- Assemble the air deflector with the duct cover bracket with 4 assembly screws provided as shown.



- Measure from the bottom of the air deflector to the bottom of the hood outlet, as shown.



- Cut the duct at the measured size.
- Uninstall the air deflector removing the 4 assembly screws.
- Slip the duct onto the bottom of the deflector.
- Place the assembled deflector and duct over the exhaust outlet from the hood.

## Electrical Connection

### ⚠ WARNING

ELECTRICAL SHOCK HAZARD.

### ⚠ WARNING

TURN OFF POWER CIRCUIT AT THE SERVICE PANEL BEFORE WIRING THIS UNIT.  
120 VAC, 15 OR 20 AMP CIRCUIT REQUIRED.

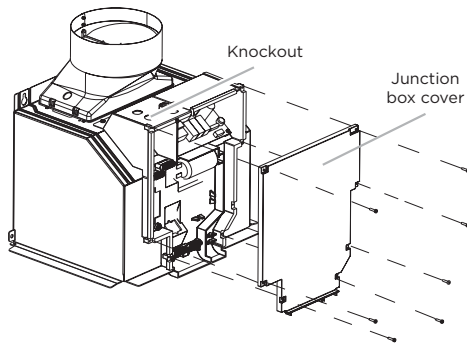
### ELECTRICAL GROUNDING INSTRUCTIONS

This appliance is fitted with an electrical junction box with 3 wires, one of which (green/yellow) serves to ground the appliance.

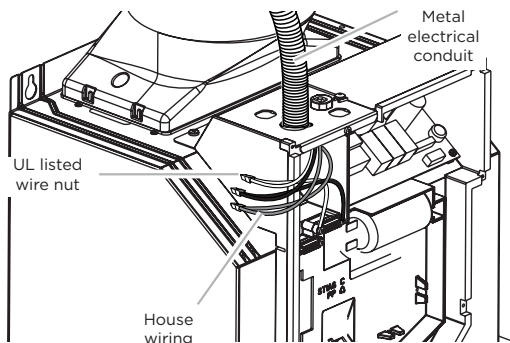
To protect you against electric shock, the green and yellow wire must be connected to the grounding wire in your home electrical system, and it must under no circumstances be cut or removed.

Failure to do so can result in death or electrical shock.

Facing the front of the range hood, remove the left knockout and the Junction box cover and install the conduit connector (cULus listed) in junction box.



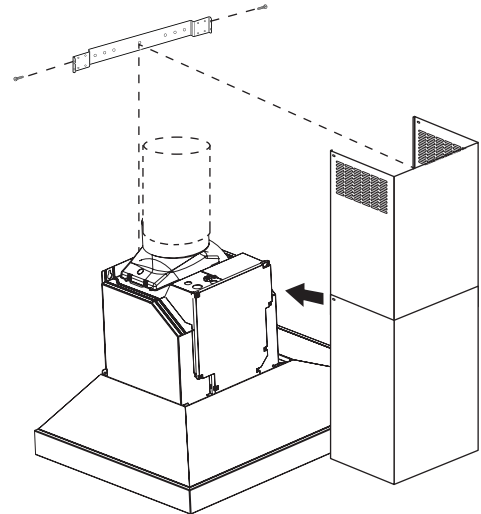
- If not already done, install a ½" conduit connector in j-box. Use UL listed wire connectors and connect black wires together.
- Use UL listed wire connectors and connect white wires together.
- Connect green (or bare) ground wire from home power supply to yellow-green ground wire in terminal box using UL listed wire connectors.
- Install terminal box cover.



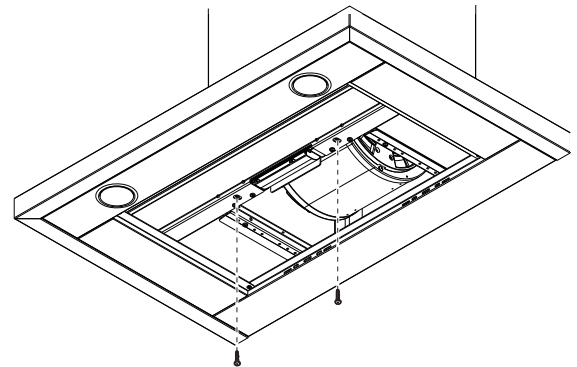
### Mounting the duct cover

**Note: Upper Duct Cover may be placed upside down to hide (or unhide) louver holes.**

- Position the duct cover over the mounted hood.
- Slide the bottom of the duct into the canopy area.
- Position the top of the duct over the duct mounting bracket. If a telescopic duct cover is used, grab the upper part of the telescopic duct cover, pull it and place it in the duct cover mounting bracket.
- Secure the top of the duct with 2 assembly screws provided.



- Secure the bottom of the duct with 2 assembly screws provided.



- Install the charcoal filter on the back side of the grease filter, install both on the range hood and turn power on at service panel. Check operation of the hood.

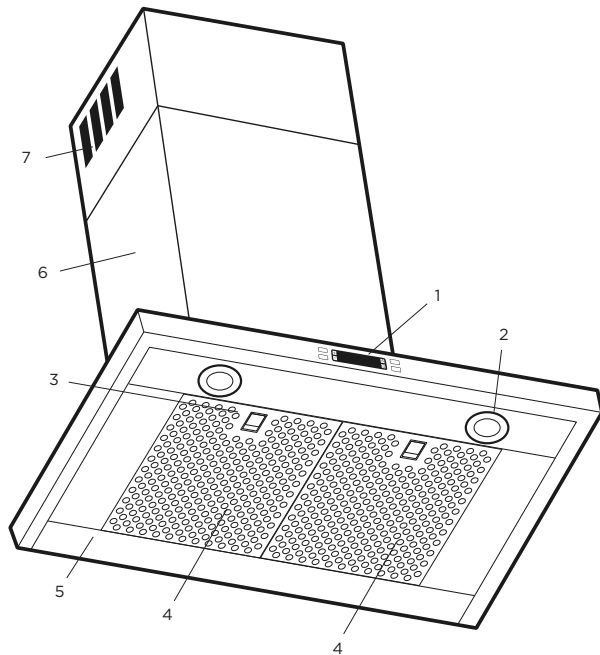
### If range hood does not operate:

- Check that the circuit breaker is not tripped or the house fuse blown.
- Disconnect power supply. Check that wiring is correct.

To get the most efficient use from your new range hood, read "Description of the Hood" and "Control" sections.

Keep your Installation Instructions and Use and Care Guide close to range hood for easy reference.

## Description of the hood



- |                              |  |
|------------------------------|--|
| 1. Blower and light controls | 5. Canopy  |
| 2. Halogen lamps             | 6. Duct covers   |
| 3. Grease filter Handle      | 7. Recirculating grid (only for recirculating version) |
| 4. Grease filter             |  |

- If no action occurs within 5 seconds, the countdown will start.
- During the timer setup the “+” and “-” buttons are dedicated to the timer and no motor action will occur.
- Once the timer is initiated, it can be cancelled by pressing the timer button again.

### 3. Display

- Shows the hood settings.
- The display will be lit at low intensity when the hood is not operating.
- Pressing any key the display will light up at high intensity.
- The display will be lit at high intensity when the hood is operating.
- If no key is pressed within a minute the display will return to being lit at low intensity.

### 4. “-” Button. Speed Decrease / OFF

- This button is used to decrease the fan speed, or turn OFF the fan.
- The fan will turn OFF if the “-” button is pressed and the hood was in the first speed.
- If the fan is at second speed and the “-” button is pressed, the fan will be set to first speed.
- If the fan is at third speed and the “-” key is pressed, the fan will be set to second speed.
- If the fan is at fourth speed and the “-” button is pressed, the fan will be set to third speed.
- If the fan is OFF and the “-” button is pressed, the control backlight will light up.

### 5. “+” Button. Speed Increase / ON

- This button is used to increase the fan speed, or turn ON the fan.
- The fan will turn ON if the “+” button is pressed and the hood was OFF.
- If the fan is at first speed and the “+” button is pressed, the fan will be set to second speed.
- If the fan is at second speed and the “+” button is pressed, the fan will be set to third speed.
- If the fan is at third speed and the “+” button is pressed, the fan will be set to fourth speed.
- If the fan is at fourth speed and the “+” button is pressed, a beep will sound.

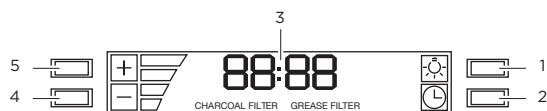
## Control



Use the high suction speed in cases of concentrated kitchen vapours. It is recommended that the cooker hood suction is switched on for 5 minutes prior to cooking and to leave in operation during cooking and for another 15 minutes approximately after terminating cooking.

Note: Hood retains last speed setting when aspiration switch is turned off.

### Description of control panel



#### 1. Light Button

- Press lamp button to turn ON the light on High Intensity (Lamp state previously OFF).
- Press lamp button to turn ON the light on Low Intensity (Lamp state previously ON).
- Press lamp button to turn OFF the light (Lamp state previously ON).

#### 2. Timer Button

- The default timer setting is 10 minutes, and it can be adjusted between 60 minutes and 1 minute.
- After pressing the timer button, the control enters to a timer setup mode, and user can adjust the timer countdown time with the “+” and “-” buttons within 5 seconds. The timer can be initiated immediately pressing the timer button, after setting the timer duration or pressing the timer button twice (default 10 minutes setting).

### Clock programming

- The clock can be reprogrammed at any time except during an active timed function.
- The clock can be displayed in a twelve hour format and valid clock times are from 1:00 to 12:59.
- The clock can be reprogrammed pressing the “Timer” button for 3 seconds, and after, the clock can be adjusted with the “+” and “-” buttons.
- The user can have minute increments / decrements of 1 minute, but if the user keep pressing the “+” / “-” buttons for more than 1 second, the increments / decrements will be of 5 minutes.
- During this option the control will round to the nearest 5 minutes.
- The user can finish on reprogramming the clock pressing the “Timer” button.
- After 1 minute of no button pressed the control will accept the programmed clock time and will add one minute to the set clock.

### Grease filter saturation alarm

- After thirty fan functional hours, the display will show “Grease Filter” if the fan is active. When this icon is shown in the display, the grease filters installed are required to be washed.
- To reset the grease filter saturation alarm the user must press the “+” button for 5 seconds, after this action the icon “Grease filter” is not displayed, and the hood has the normal display operation.

### Charcoal filter saturation alarm

- After one hundred and twenty functional hours of the fan, the display will show “Charcoal Filter” if the fan is active. When this icon flashes on display, the charcoal filters installed are required to be replaced or reactivated.
- To reset the charcoal filter saturation indication the user must press the “-” button for 5 seconds, after this time the icon “Charcoal filter” is not displayed and the hood has the normal display operation.

### Audible feature activation and deactivation

- The audible features can be activated or deactivated pressing the “Light” button for 5 seconds.
- If the audible feature is activated, a tone must sound and the “Snd” symbol must appear on the display for 3 seconds.
- If the audible feature is deactivated, the “Snd” symbol must appear on the display for 3 seconds and no tone must sound.

### Charcoal filter inclusion and exclusion (Recirculating accessories)

- The charcoal filter inclusion or exclusion can be set by pressing the “+” and “-” buttons at the same time for 5 seconds.
- The Inclusion or exclusion of charcoal filter must be selected while the lamps and the motor are OFF.
- When the charcoal filter has been excluded, the charcoal filter alarm is disabled.

### Heat sensor

- The control is equipped with a heat sensor that will turn on the blower at third speed if excessive heat occurs (over 149° F or 65°C) surrounding the control area.
- If the blower is OFF or if it is operating at first speed, the blower will be set automatically to third speed, the display shows the word “CArE” to indicate that heat sensor has detected an excessive heat.
- During this state, the user may raise the blower speed to fourth speed but can not decrease the speed.
- When the temperature level on the hood drops to normal, the blower will operate in the setting defined by the user before the alarm occurred.

### BEFORE OPERATING YOUR HOOD

Some regions and provinces of the US and Canada restrict the exhausting power of range hoods to performances below certain values. These values are underlined in the local code for your area.

Please check your local code to find out if you will need to restrict the power of your hood.

If your local code restricts the performance values of range hoods, please execute the following button-pressing sequence:

### Low performance



- Press the TIMER (1), LIGHTS (2) and - (3) buttons together for 5 seconds

- Result:

The “LO” indicator will be displayed.

The 3rd and 4th speeds will be Disabled.



## Maintenance

### ATTENTION!

Before performing any maintenance operation, isolate the hood from the electrical supply by switching off at the connector and removing the connector fuse. Or if the appliance has been connected through a plug and socket, then the plug must be removed from the socket.

### Cleaning

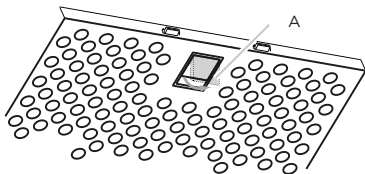
Do not spray cleaners directly to the control while cleaning the Hood. The cooker hood should be cleaned regularly (at least with the same frequency with which you carry out maintenance of the fat filters) internally and externally. Clean using the cloth dampened with neutral liquid detergent. Do not use abrasive products. **DO NOT USE ALCOHOL!**

### WARNING

Failure to carry out the basic cleaning recommendations of the cooker hood and replacement of the filters may cause fire risks. Therefore, we recommend observing these instructions. The manufacturer declines all responsibility for any damage to the motor or any fire damage linked to inappropriate maintenance or failure to observe the above safety recommendations.

### Grease Filter

Traps cooking grease particles. This must be cleaned once a month using non aggressive detergents, either by hand or in the dishwasher, which must be set to a low temperature and a short cycle. When washed in a dishwasher, the grease filter may discolour slightly, but this does not affect its filtering capacity. To remove the grease filter, pull the spring release handle.



A. Spring release handle

### Replacing lamps

#### CAUTION

Before replacing the lamps, switch power off at service panel and lock service panel disconnecting means to prevent power from being switched on accidentally.

**NOTE:** Turn off the lights and fan. Allow the lights to cool before handling. If new lights do not operate be sure lights are inserted correctly before calling service.

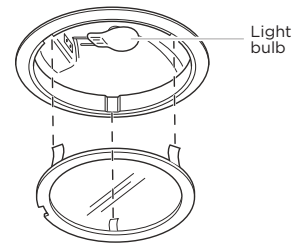
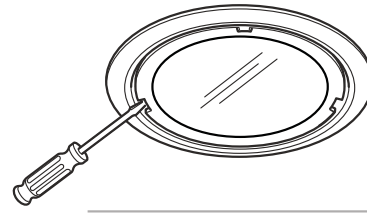
### Replace Lights

- Remove the inner lamp lens cover by inserting a small flat blade screwdriver into each of the three slots and gently prying it free.

**NOTE:** Do not remove the outer trim ring (lamp assembly). Grasp the bulb and pull it straight out.

- Replace with 120 volt, 40 watt halogen bulbs with a G9 base **SUITABLE FOR USE IN OPEN LUMINAIRES.**
- Follow package directions, wear gloves, do not touch bulb with your bare fingers.

- Replace inner cover by inserting the three retaining tabs into the three slots and pressing them firmly in place.

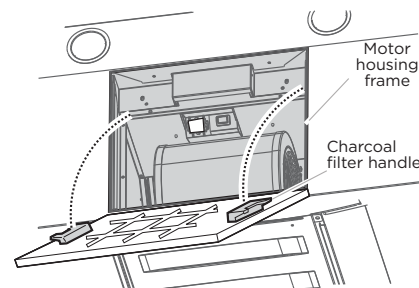
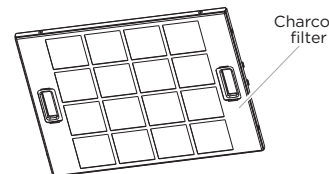


### Charcoal Filter

If the model is not vented to the outside, the air will be recirculated through disposable charcoal filters that help remove smoke and odors.

The charcoal filters are clipped on the motor housing frame. **NOTE:** Charcoal filters are not included with the hood. They must be ordered from your supplier.

Order the needed kit specifying your hood model and width size.



### Cleaning/replacing the charcoal filter

Unlike other charcoal filters, the **ONGLIFE** charcoal filter can be cleaned and reactivated.

With normal use the filter should be cleaned every second month (when using the hood 2.5 hours per day, on average). The best way to clean the filter is in the dishwasher.

Use normal detergent and choose the highest temperature **(65° C or 149° F).**

Wash the filter separately so that no food parts gets stuck on the filter and later causes bad odours.

To reactivate the charcoal, the filter should be dried in an oven for 10 minutes with a maximum temperature of **100° C or 212° F.**

After approximately one year of use, the charcoal filter should be replaced with a new one, as the odour reduction capacity will be reduced.

# ELICA North America

## TWO-YEARS LIMITED WARRANTY

### TO OBTAIN SERVICE UNDER WARRANTY

Owner must present proof of original purchase date. Please keep a copy of your dated proof of purchase (sales slip) in order to obtain service under warranty.

### PARTS AND SERVICE WARRANTY

For the period of two (2) years from the date of the original purchase, Elica will provide free of charge, non consumable parts or components that failed due to manufacturing defects. During these two (2) years limited warranty, Elica will also provide free of charge, all labor and in-home service to replace any defective parts.

### WHAT IS NOT COVERED

- Damage or failure to the product caused by accident or act of God, such as, flood, fire or earthquake.
- Damage or failure caused by modification of the product or use of non-genuine parts.
- Damage or failure to the product caused during delivery, handling or installation.
- Damage or failure to the product caused by operator abuse.
- Damage or failure to the product caused by dwelling fuse replacement or resetting of circuit breakers.
- Damage or failure caused by use of product in a commercial application.
- Service trips to dwelling to provide use or installation guidance.
- Light bulbs, metal or carbon filters and any other consumable part.
- Normal wear of finish.
- Wear to finish due to operator abuse, improper maintenance, use of corrosive or abrasive cleaning products/pads and oven cleaner products.

### WHO IS COVERED

This warranty is extended to the original purchaser for products purchased for ordinary residential use in North America (Including the United States, Guam, Puerto Rico, US Virgin Islands & Canada).

This warranty is non-transferable and applies only to the original purchaser and does not extend to subsequent owners of the product. This warranty is made expressly in lieu of all other warranties, expressed or implied, including, but not limited to any implied warranty of merchantability or fitness for a particular purpose and all other obligations on the part of Elica North America, provided, however, that if the disclaimer of implied warranties is ineffective under applicable law, the duration of any implied warranty arising by operation of law shall be limited to two (2) years from the date of original purchase at retail or such longer period as may be required by applicable law.

This warranty does not cover any special, incidental and/or consequential damages, nor loss of profits, suffered by the original purchaser, its customers and/or the users of the Products.

### WHO TO CONTACT

To obtain service under warranty or for any service related question, please visit the support section on the website below:

[www.elica.com](http://www.elica.com)

Have your product proof of purchase with date ready for warranty issues.

**Sommaire**

Avis de sécurité important.....	17
Exigences électriques et exigences d'installation.....	18
Avant d'installer la hotte.....	18
Dimensions et Dégagement.....	18
Liste des pièces.....	19
Pièces fournies.....	19
Pièces non fournies.....	19
Exemples et possibilités de positionnement des conduits.....	20
Installation (Version à conduit) .....	20
Installation (Version sans conduit [recyclage]) .....	23
Description de la hotte.....	26
Commandes.....	26
Entretien.....	28
Garantie.....	29

**APPROUVÉ POUR LES APPAREILS DE TYPE RÉSIDENTIEL  
POUR UNE UTILISATION RÉSIDENTIELLE SEULEMENT  
LISEZ CES INSTRUCTIONS ET CONSERVEZ-LES**

**VEUILLEZ LIRE CES INSTRUCTIONS AU COMPLET AVANT DE COMMENCER.  
L'INSTALLATION DE L'APPAREIL DOIT RESPECTER TOUS LES CODES EN VIGUEUR.**

**IMPORTANT :** Conservez ces instructions afin de pouvoir les remettre à l'inspecteur-électricien de votre région.

**INSTALLATEUR :** Veuillez laisser ces instructions avec l'appareil pour le propriétaire.

**PROPRIÉTAIRE :** Veuillez conserver ces instructions pour pouvoir vous y référer plus tard.

**Avertissement de sécurité :** Coupez l'alimentation du circuit dans le panneau électrique et verrouillez le panneau avant de raccorder les fils de cet appareil.

**Exigence :** 120 V c.a., 60 Hz circuit de dérivation de 15 V c.a., 20 Hz, de 15 ou 20 A.



## I AVIS DE SÉCURITÉ IMPORTANT

### I ATTENTION

UTILISER CET APPAREIL À DES FINS DE VENTILATION GÉNÉRALE SEULEMENT. NE PAS UTILISER CET APPAREIL POUR ÉVACUER DES MATÉRIAUX OU DES VAPEURS DANGEREUX OU EXPLOSIFS.

### I AVERTISSEMENT

POUR RÉDUIRE LES RISQUES D'INCENDIE, DE CHOC ÉLECTRIQUE ET DE BLESSURE, RESPECTER LES DIRECTIVES SUIVANTES :

- A. Utiliser cet appareil uniquement aux fins prévues par le fabricant. Si vous avez des questions à propos de l'appareil, communiquez avec le fabricant.
- B. Avant de faire l'entretien de l'appareil ou de le nettoyer, coupez l'alimentation dans le panneau électrique et verrouillez le panneau en bloquant le dispositif permettant d'empêcher d'activer l'alimentation accidentellement. S'il n'est pas possible de verrouiller l'accès au panneau, fixez une étiquette très voyante au panneau électrique.
- C. Une personne qualifiée doit effectuer l'installation et le câblage des fils électriques en conformité avec tous les codes et toutes les normes, y compris la cote de résistance au feu.
- D. Il est important de prévoir suffisamment d'air pour assurer une bonne combustion de l'équipement de chauffe et l'évacuation adéquates des gaz par le conduit de cheminé afin de prévenir les refoulements d'air. Respectez les directives et les normes de sécurité des fabricants de l'équipement de chauffage, comme celles publiées par la National Fire Protection Association (NFPA), la American Society for Heating, Refrigeration and Air Conditioning Engineers (ASHRAE) et le code des autorités de votre région.
- E. Au moment de couper ou de percer un mur ou un plafond, assurez-vous de ne pas endommager la filerie électrique ou tout autre accès à un service public.
- F. Il faut toujours évacuer à l'extérieur les systèmes conduit.

### I ATTENTION

Pour réduire les risques d'incendie et évacuer l'air correctement, assurez-vous que le conduit mène à l'extérieur; il ne faut pas évacuer l'air dans l'espace entre les murs, dans les plafonds, dans les greniers, les vides sanitaires ou les garages.

### I AVERTISSEMENT

POUR RÉDUIRE DES RISQUES D'INCENDIE, UTILISEZ UNIQUEMENT DES CONDUITS EN MÉTAL.

Installez cette hotte en respectant toutes les exigences mentionnées.

### I AVERTISSEMENT

Pour réduire les risques d'incendie et de choc électrique, n'utilisez pas cette hotte avec un contrôleur de vitesse à semi-conducteurs.

### I AVERTISSEMENT

POUR RÉDUIRE LES RISQUES D'INCENDIE DE GRAISSE SUR LES CUISINIÈRES.

- a) Ne laissez jamais la cuisinière sans surveillance lorsqu'elle est réglée à une haute température. Les débordements par bouillonnement causent de la fumée et des débordements de gras qui peuvent s'enflammer. Faites chauffer l'huile lentement, à une température basse ou moyenne.
- b) Faites toujours fonctionner la hotte lorsque vous utilisez la cuisinière à une haute température ou que vous faites flamber des aliments (P. ex. : crêpes Suzette, cerises jubilé, boeuf au poivre flambé).
- c) Nettoyez les hélices de ventilation fréquemment. Il ne faut pas que la graisse s'accumule sur les filtres ou les hélices.
- d) Utilisez le bon format de casserole. Utilisez toujours un chaudron de taille approprié à l'élément de la cuisinière.

### I AVERTISSEMENT

POUR ÉVITER DE BLESSER QUELQU'UN LORS D'UN INCENDIE DE GRAISSE SUR LA CUISINIÈRE, SUIVRE LES CONSEILS SUIVANTS:<sup>a</sup>

- a) ÉTOUFFER LES FLAMMES avec un couvercle aux dimensions de la tache de cuisson, une tôle à biscuit ou tout autre plateau métallique, puis couper le gaz ou l'alimentation électrique de la cuisinière. FAIRE ATTENTION A NE PAS SE BRÛLER. Si les flammes ne s'éteignent pas immédiatement, QUITTER LA PIÈCE ET APPELER LES POMPIERS.
- b) NE JAMAIS PRENDRE EN MAIN UNE CASSEROLE EN FEU, vous pourriez vous blesser.
- c) NE PAS UTILISER D'EAU, y compris les essuies de vaisselle ou les serviettes humides - une violente explosion due à la vapeur formée pourrait survenir.
- d) Utiliser un extincteur SEULEMENT si:
  - 1) Vous êtes sûr d'avoir un extincteur de classe ABC que vous savez utiliser.
  - 2) Le feu est petit et confiné à la zone où il s'est formé.
  - 3) Les pompiers ont été appelés.
  - 4) Vous pouvez lutter contre le feu avec une sortie derrière vous.

<sup>a</sup> Recommandations tirées des conseils de sécurité en cas d'incendie de cuisine publiés par la NFPA.

### MODE OPÉRATOIRE

Toujours laisser les grilles de sécurité et les filtres à leur place. Sans la présence de ces derniers, les parties aspirantes pourraient attirer les cheveux, les doigts ou les vêtements.

Le fabricant décline toute responsabilité si les informations détaillées dans ce manuel pour l'installation, l'entretien et l'utilisation adéquate du produit ne sont pas observées. Le fabricant décline en outre toute responsabilité pour d'éventuelles blessures dues à des négligences; en outre, la garantie de l'appareil sera annulée suite à des conditions d'entretien inappropriées. Cet appareil est fabriqué pour un usage interne. Ne pas utiliser cet appareil à l'extérieur.

## EXIGENCES ÉLECTRIQUES ET D'INSTALLATION

### IMPORTANT

Respectez tous les codes et les ordonnances en vigueur.

Le client a la responsabilité de :

- Contacter un électricien-installateur.
- Vérifier que l'installation électrique est adéquate et conforme avec le Code national de l'électricité, ANSI/ NFPA 70 (la plus récente édition\*), ou les normes C22.1-94, Code canadien de l'électricité, Partie 1 et C22.2 No.0-M91 (La plus récente édition\*\*) de la CSA, ainsi que tous les codes et les ordonnances de votre région.
- Si le code le permet et que vous utilisez un fil de mise à la terre distinct, il est recommandé de faire vérifier le chemin du fil par un électricien.
- Ne pas mettre l'appareil à la terre sur une conduite de gaz.
- Consultez un électricien qualifié si vous n'êtes pas certain que la hotte est mise à la terre correctement.
- N'installez pas un fusible dans le circuit neutre ou le circuit de mise à la terre.

### IMPORTANT

- Conservez ces instructions afin de pouvoir les remettre à l'inspecteur-électricien.
- La hotte doit être câblée uniquement à l'aide de fils de cuivre.
- Il faut raccorder la hotte directement à une boîte à fusible ou à un disjoncteur par l'entremise d'une canalisation électrique en métal.
- Le calibre de fil doit être conforme aux exigences du Code national de l'électricité, ANSI/NFPA 70 (La plus récente édition\*), ou les normes C22.1-94, Code canadien de l'électricité, Partie 1 et C22.2 0-M91 (La plus récente édition\*\*) de la CSA, ainsi que tous les codes et les ordonnances de votre région.

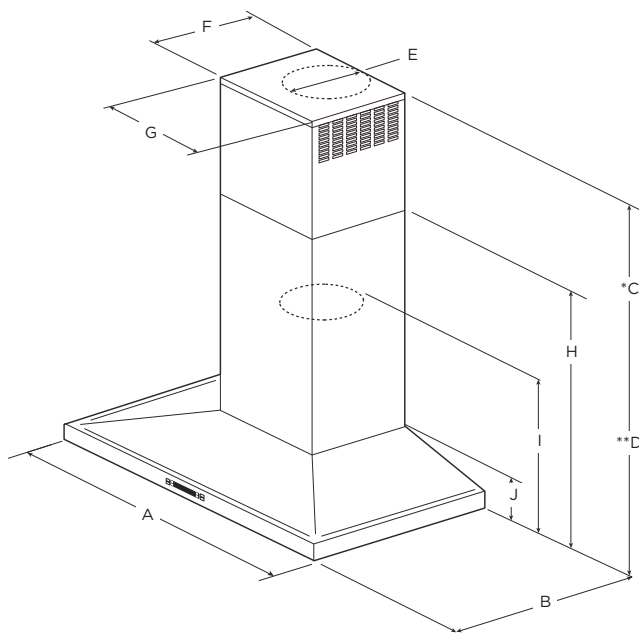
- Il faut prévoir un connecteur de canalisation approuvé par l'UL ou la CSA à chaque extrémité de la canalisation d'alimentation (À la hotte et à la boîte de jonction).

Vous pouvez obtenir un exemplaire des normes indiquées en vous adressant à :  
 \* La National Fire Protection Association, Batterymarch Park Quincy, Massachusetts, 02269  
 \*\* La CSA International, 8501 East Pleasant Valley Road, Cleveland, Ohio, 44131-5575

### AVANT D'INSTALLER LA HOTTE

- 1 Pour assurer la ventilation la plus efficace possible, installez la conduite en ligne droite ou avec le moins de coudes possibles.  
ATTENTION : La sortie de la conduite de ventilation doit donner sur l'extérieur.
- 2 Deux personnes sont nécessaires pour effectuer l'installation.
- 3 La quincaillerie fournie permet de fixer la hotte à la plupart des murs et des plafonds; consultez un installateur qualifié pour vous assurer que la quincaillerie fournie est adaptée à votre type de mur ou d'armoire.
- 4 N'utilisez pas de conduit flexible.
- 5 Dans le cas des endroits sujets aux TEMPÉRATURES FROIDES, il faut installer un clapet de contre-tirage supplémentaire afin de minimiser le retour d'air froid et un isolant thermique non métallique afin de minimiser la conduction de la température extérieure dans le conduit. Il faut placer le clapet du côté de l'air froid de l'isolant thermique.  
L'isolant doit être placé le plus près possible de l'endroit où le conduit entre dans la partie chauffée de la maison.
- 6 Air d'appoint : Le code du bâtiment de votre région peut exiger l'utilisation d'un système d'air d'appoint si vous utilisez un système de ventilation à conduit dont le mouvement d'air dépasse un certain nombre de CFM. Le nombre de pi<sup>3</sup>/min varie d'une région à l'autre. Consultez un professionnel de CVC pour connaître les exigences précises de votre région.

## DIMENSIONS ET DÉGAGEMENT



	Modèles	
	ELG630S2	ELG636S2
<b>A</b>	30" (76 cm)	36" (91.2 cm)
<b>B</b>	19 <sup>1</sup> / <sub>16</sub> " (50 cm)	
<b>C*</b>	Max: 42 <sup>5</sup> / <sub>16</sub> " (108.2 cm) Min: 28 <sup>3</sup> / <sub>16</sub> " (71.9 cm)	
<b>D**</b>	Max: 36 <sup>15</sup> / <sub>16</sub> " (93.8 cm) Min: 24 <sup>5</sup> / <sub>8</sub> " (62.5 cm)	
<b>E</b>	6" (15.24 cm)	
<b>F</b>	10 <sup>3</sup> / <sub>4</sub> " (27.3 cm)	
<b>G</b>	13 <sup>3</sup> / <sub>16</sub> " (33.5 cm)	
<b>H</b>	28 <sup>5</sup> / <sub>8</sub> " (73 cm)	
<b>I</b>	20 <sup>1</sup> / <sub>2</sub> " (52 cm)	
<b>J</b>	5" (12.7 cm)	

\* Seulement avec la version sans conduit (à recyclage)

\*\* Seulement avec la version à conduit

# LISTE DES PIÈCES

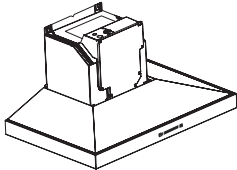
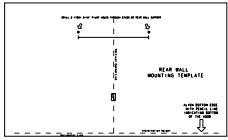

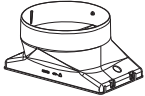



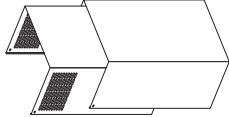

Enlever l'emballage.

## | ATTENTION

Enlever délicatement le carton, Porter des gants pour se protéger des bords coupants.

## | AVERTISSEMENT

Enlever le film de protection recouvrant le produit avant de commencer l'opération.

Pièces Fournies	Pièces	Pièces Fournies	Pièces
 <p>Assemblage hotte</p>	1	 <p>Mounting template</p>	1
 <p>5x45 mm</p>	6	 <p>Transition ronde de 6"</p>	1
 <p>4.2x8 mm</p>	8	 <p>Bride de support du cache-conduit</p>	1
 <p>3.5x9.5 mm</p>	2	 <p>Conduits de cheminée</p>	2
 <p>8x40 mm</p>	6		

### Pièces Non Fournies

#### Outils nécessaires

- Ecrous métalliques
- Ruban pour le gabarit de montage
- Conduit métallique circulaire de 8" pour parfaire l'installation
- Mètre ruban
- Tenailles
- Gants
- Couteau
- Lunettes de sécurité
- Foreuse électrique 5/16" et 3/8"
- Réducteur de tension
- Niveau
- Toile isolante
- Tournevis:
  - Phillips (Pozidrive) # 2
  - Torx # 2
- Dénudeur
- Ruban de masquage
- Marteau
- Scie, scie circulaire

#### Accessoires Optionnel

##### Trousse de conversion en hotte à recyclage

à utiliser seulement avec la version sans conduit

(À recyclage)

comprend : filtre au charbon, soutien de filtre au charbon et support de fixation, déflecteur.

## Exemples et possibilités de positionnement des conduits

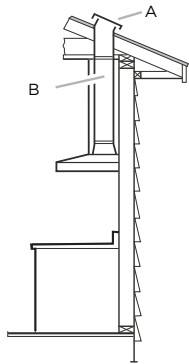
Suivez à la lettre les directives présentées dans ce manuel.

Le fabricant refuse toute responsabilité en ce qui a trait à tout préjudice, dommage ou incendie causé par la non observation des directives contenues dans le présent manuel.

### Version à conduit

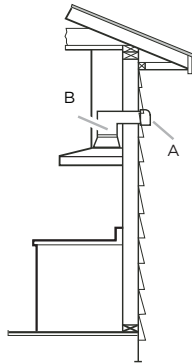
La hotte est dotée d'une transition 6" (15,2 cm) afin d'évacuer les vapeurs à l'extérieur.

Décharge à travers le toit



A. Bouche de décharge sur toit  
B. Conduit rond de 6" (15,2 cm)

Décharge à travers le mur



A. Bouche de décharge murale  
B. Conduit rond de 6" (15,2 cm)

### Préparation

Ne coupez pas une solive ou un montant à moins qu'il soit absolument nécessaire de le faire. Si vous devez couper une solive ou un montant, vous devez construire un cadre de soutien.

La quincaillerie fournie permet de fixer la hotte à la plupart des murs et des plafonds.

Vous devez cependant demander à un technicien qualifié de vérifier la solidité des matériaux selon le type de mur ou de plafond.

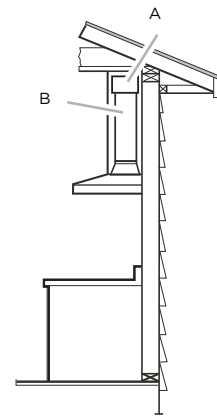
Avant de couper, assurez-vous qu'il y a un dégagement suffisant dans le plafond ou le mur pour passer la conduite de sortie.

### Hauteur de montage recommandée:

Vous pouvez déterminer vous-même la hauteur à laquelle vous installez la hotte au-dessus de la cuisinière. Plus la hotte est près de la cuisinière, plus elle est efficace à capter les odeurs de cuisson, la graisse et la fumée.

### Version sans conduit (Recyclage)

S'il s'avère impossible d'évacuer la fumée et les vapeurs de cuisson à l'extérieur, il est possible de transformer la hotte en version sans conduit (Recyclage). Fixer un filtre au charbon et le déflecteur sur le support de couvercle de conduit. La fumée et la vapeur sont recyclées. Dans le cas de la version sans conduit (À recyclage) seulement : procurez-vous la trousse de conversion en hotte à recyclage. Diamètre minimum des conduit: tuyau rond de 6po.



A. Déflecteur  
B. Conduit rond de 6" (15,2 cm)

### ATTENTION

POUR L'INSTALLATION DES CUISINIÈRES À GAZ: METTEZ LA HOTTE AFIN D'AVOIR ENTRE LE BORD INFÉRIEUR DE LA HOTTE ET LE PLAN DE CUISSON UNE DISTANCE DE 30" (76,2 CM).

POUR DES CUISINIÈRES ÉLECTRIQUES: LA DISTANCE ENTRE LE BORD INFÉRIEUR DE LA HOTTE ET LE PLAN DE CUISSON NE DOÛT PAS ÊTRE INFÉRIEURE DE 24" (61 CM) ET SUPÉRIEURE DE 30" (76,2 CM).

EMPLOI DOMESTIQUE. LIRE ATTENTIVEMENT LE LIVRET INSTRUCTIONS POUR DES APPLICATIONS SPÉCIFIQUES.

Vérifiez donc la hauteur de votre plafond et la hauteur maximum de la hotte avant de choisir votre modèle de hotte.

## Installation - Version à conduit

- Si possible, débranchez la cuisinière et déplacez-la afin d'avoir un meilleur accès au mur arrière. Sinon, placez une couverture épaisse sur le comptoir et la surface de cuisson afin de les protéger des dommages et des saletés. Sélectionnez une surface plane pour assembler l'appareil. Placez une couverture protectrice sur cette surface, puis disposez les pièces de l'auvent de la hotte et la quincaillerie.
- Déterminez et marquez la ligne centrale sur le mur où sera installé l'auvent de la hotte.
- Déterminez une hauteur confortable pour l'utilisateur et marquez-la sur le mur derrière la surface de cuisson.
- Posez le modèle sur la ligne centrale et le bas de la hotte à l'aide de ruban adhésif.

### Placer les équerres du conduit de cheminée

Le conduit de cheminée doit être installé contre le mur de fond et au niveau du plafond.

Cette équerre va maintenir le conduit de cheminée en place au sommet.

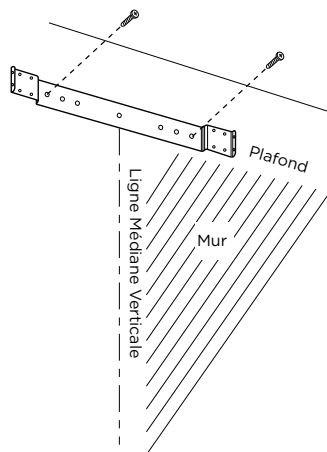
### Attacher les équerres au mur:

- Aligner les lignes médianes tracées sur les équerres avec les lignes médianes sur le mur.
- Indiquer les 2 trous pour les vis sur le mur.
- Forer des trous pilotes de 5/16" sur les emplacements indiqués.
- Placer les attaches d'accrochage au mur.
- Visser les vis à bois, à la main, dans les attaches pour permettre aux crochets de se dilater. Enlever les vis.
- Attacher l'équerre dans le mur à l'aide des vis à bois et/ou des attaches.

## Conduit au plafond

Si le conduit ventile juste au-dessus du plafond:

- Utiliser un niveau pour tracer une ligne, de la ligne médiane du gabarit jusqu'au plafond.



- Mesurer au moins 4 7/8" du mur arrière jusqu'au centre du cercle d'un trou de 6 1/2" dans le plafond.

## Conduit dans le mur

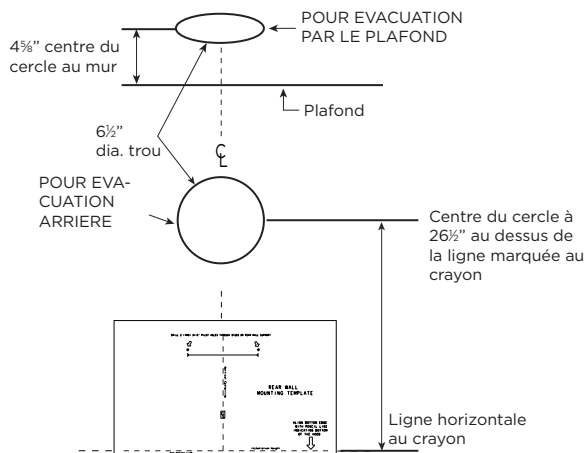
Si le conduit ventile à l'arrière:

**Remarque:** pour une prolongation minimum du conduit de cheminée, nous recommandons l'utilisation d'un adaptateur de cheminée circulaire ou rectangulaire.

- Utiliser un niveau pour tracer une ligne droite à partir de la ligne centrale sur le gabarit.
- Mesurer au moins 26 1/2" (la mesure peut varier selon le coude utilisé) au-dessus de la ligne au crayon qui indique la hauteur du fond de l'installation, au centre du cercle d'un trou de conduit 6 1/2" de diamètre (Le trou peut être agrandi pour le passage du coude).

## Situation de l'installation électrique

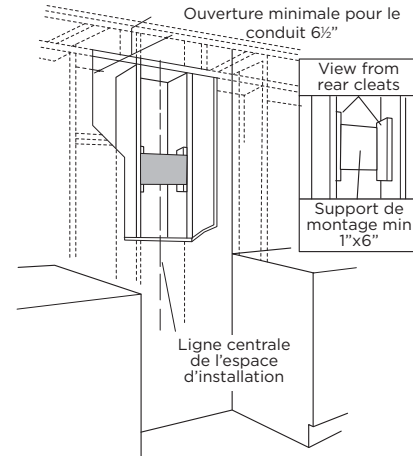
- La boîte de connexion est située sur le côté gauche supérieur de la hotte.
- Le câble doit entrer dans le mur arrière à au moins 20 1/4" au-dessus de la hauteur du fond de l'installation, et entre 7 7/8" et 4 7/8" du côté gauche de la ligne médiane.



## Installer la structure de support de la hotte

- Si une paroi est présente, indiquer les emplacements des trous des vis. Enlever le gabarit.
- Couper suffisamment de paroi pour placer 2 crampons sur les trous indiqués sur la gabarit. Installer 2 supports horizontaux à au moins 4" x 2" entre les deux crampons muraux aux emplacements des trous de montage inférieurs et supérieurs.
- Le support horizontal doit être de niveau avec le côté pièce des crampons. Utiliser des tasseaux de deux côtés du support pour sécuriser aux crampons du mur.
- Replacer la paroi et faire les finitions.

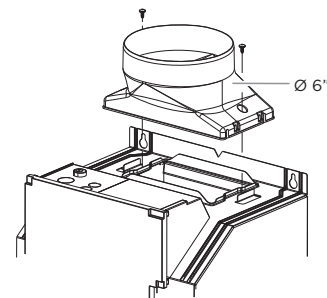
**REMARQUE:** La paroi doit être capable de supporter 100 lbs.



## Monter la hotte

Installez la transition ronde de 6" comme le montre l'image ci-dessous.

Les vis de montage et la transition ronde de 6" sont inclus dans le paquet de la hotte.

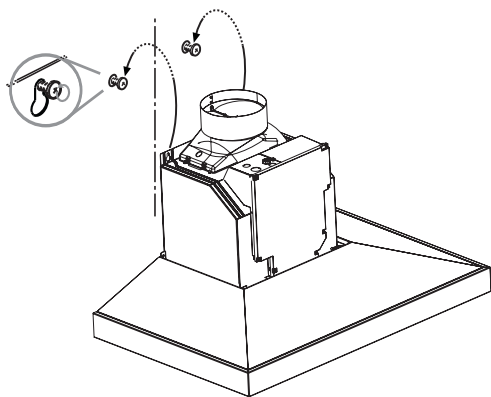


## ADVERTISSEMENT

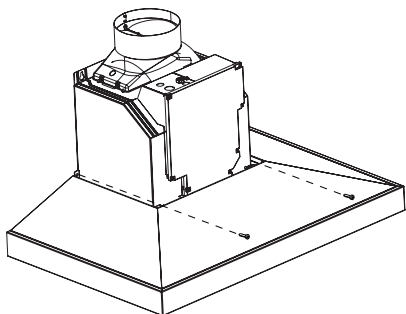
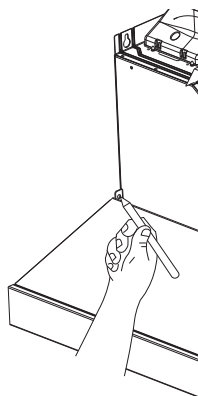
2 PERSONNES SONT NÉCESSAIRES POUR SOULEVER ET PLACER LA HOTTE DANS LES VIS DE MONTAGE.

- Placer le gabarit sur le mur le long de la ligne horizontale, s'assurer que le gabarit est à niveau et centré sur la ligne médiane.
- Indiquer les emplacements des vis "supérieures" dans le mur.
- IMPORTANT:** Vérifier que tous les emplacements des trous sont à niveau et correctement centrés sur la ligne médiane verticale.
- Visser les vis en bois "supérieures" à la main. Laisser une distance de 1/4" entre la tête de la vis et le mur.

- Enlever les filtres anti-graisse et placer la hotte sur les vis "supérieures".

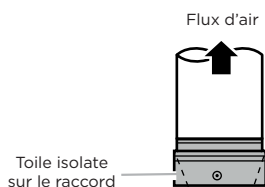


- Indiquer les emplacements des vis à bois "inférieures" sur le mur en utilisant un crayon.
- Enlever la hotte.
- Visser les vis en bois "inférieures" à la main.
- Enlever les vis.
- Placer la hotte dans les vis "supérieures".
- Visser et serrer les vis à bois "supérieures" à la main.
- Visser et serrer les vis à bois "inférieures" à la main.



#### Raccorder le conduit

- Installer le conduit, effectuer les raccords dans la direction du flux d'air comme illustré.
- Pousser le conduit dans la sortie d'évacuation.
- Recouvrir tous les joints des conduits et les raccords à la bride avec de la toile isolante pour une fermeture hermétique.
- Effectuer la même opération pour le raccordement à l'évacuation dans le mur ou dans le plafond.



## Connexion électrique

### I AVERTISSEMENT

DANGER DE CHOC ÉLECTRIQUE

### I AVERTISSEMENT

COUPEZ L'ALIMENTATION DU CIRCUIT DANS LE PANNEAU ÉLECTRIQUE AVANT DE RACCORDER LES FILS DE CET APPAREIL.

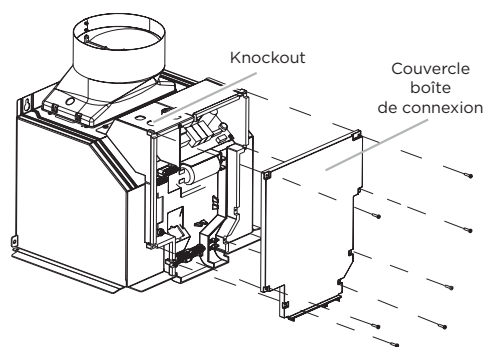
UN CIRCUIT DE 120 V C.A., DE 15 OU 20 A EST REQUIS.

#### INSTRUCTIONS DE MISE À LA TERRE

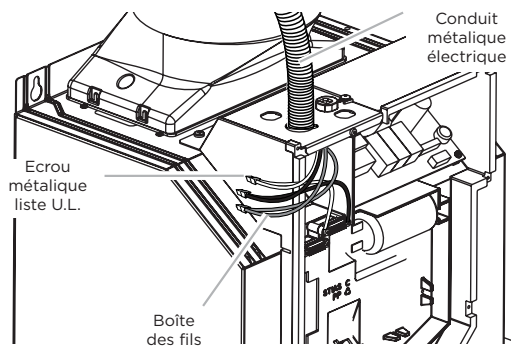
Cet appareil est muni d'une boîte de jonction électrique à trois fils, dont l'un (vert/jaune) sert à mettre l'appareil à la terre. Pour vous protéger contre les chocs électriques, vous devez raccorder le fil vert/jaune au fil de mise à la terre du système électrique de votre maison. En aucune circonstance ce fil doit être coupé ou enlevé.

Le fait de ne pas respecter cette directive peut entraîner la mort ou un choc électrique.

En faisant face à l'avant de la hotte, retirez l'alvéole défonçable de gauche et le couvercle de la boîte de jonction et installez un connecteur de canalisation (Listé dans cULus) dans la boîte de jonction.



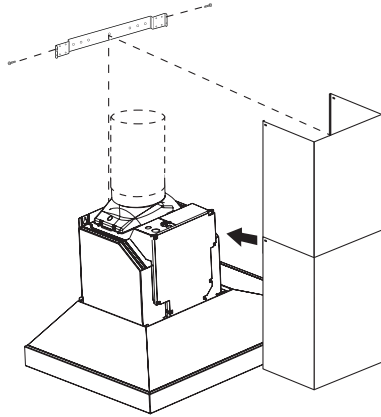
- Si ce n'est pas déjà fait, installer un tube de raccordement de 1/2" dans la boîte de connexion.
- Connecter ensemble les conducteurs noirs (C) à l'aide de connecteurs de fils (homologation UL).
- Connecter ensemble les conducteurs blancs (E) à l'aide de connecteurs de fils (homologation UL).
- À l'aide des connecteurs de fils (homologation UL), connecter le conducteur de liaison à la terre (vert ou nu) du câble d'alimentation du domicile au conducteur jaune-vert de liaison à la terre (F) dans le boîtier de connexion.
- Installer le couvercle du boîtier de connexion.



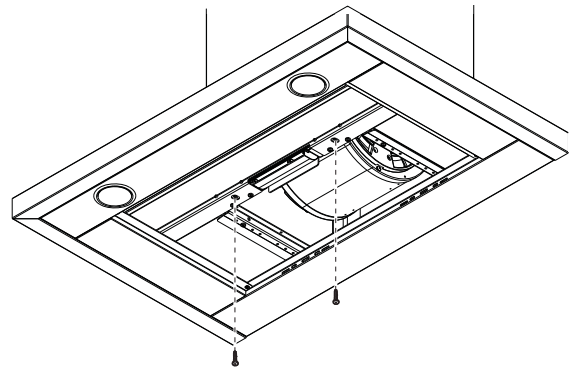
#### Monter le conduit de cheminée

**Remarque: Le couvercle de la hotte avec des fentes autres que pour l'aération peut être placé sens dessus-dessous pour cacher (ou révéler) les fentes.**

- Placer le conduit de cheminée au-dessus de la hotte montée.
- Glisser le fond du conduit dans la couverture (hotte).
- Placer le dessous de la cheminée sur le crochet de montage du conduit. Si un conduit de cheminée télescopique est utilisé, attraper la partie supérieure du conduit télescopique, le tirer et le mettre en place dans le crochet de montage du conduit de cheminée.
- Assurer le dessus du conduit à l'aide des 2 vis d'assemblage fournies.



- Assurer le bas du conduit à l'aide des 2 vis d'assemblage fournies.



- Installer le filtre anti-graisse et remettre le courant à la boîte à fusible. Vérifier le fonctionnement de la hotte.

#### Si la hotte ne fonctionne pas:

- Vérifiez que le disjoncteur ne s'est pas déclenché ou que le fusible n'est pas grillé.
- Débranchez l'alimentation. Vérifiez que les raccords électriques ont été effectués correctement.

Pour utiliser votre nouvelle hotte de façon optimale, lisez le sections intitulée "Description de la hotte" et "Commandes". Gardez vos instructions d'installations et d'utilisation près de la hotte pour pouvoir vous y référer facilement.

## Installation - Version sans conduit (Recyclage)

### I ATTENTION

Pour installer la hotte dans cette version, acheter le Kit de Recirculation d'air sans Conduit.

Il comprend: filtre au charbon et déflecteur

- Si possible, débranchez la cuisinière et déplacez-la afin d'avoir un meilleur accès au mur arrière. Sinon, placez une couverture épaisse sur le comptoir et la surface de cuisson afin de les protéger des dommages et des saletés. Sélectionnez une surface plane pour assembler l'appareil. Placez une couverture protectrice sur cette surface, puis disposez les pièces de l'auvent de la hotte et la quincaillerie.
- Déterminez et marquez la ligne centrale sur le mur où sera installé l'auvent de la hotte.
- Déterminez une hauteur confortable pour l'utilisateur et marquez-la sur le mur derrière la surface de cuisson.
- Posez le modèle sur la ligne centrale et le bas de la hotte à l'aide de ruban adhésif.

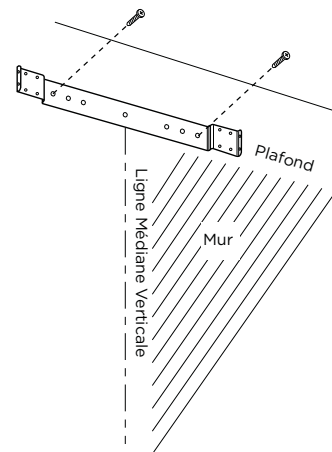
#### Placer les équerres du conduit de cheminée

Le conduit de cheminée doit être installé contre le mur de fond et au niveau du plafond. Cette équerre va maintenir le conduit de cheminée en place au sommet.

#### Attacher les équerres au mur:

- Aligner les lignes médianes tracées sur les équerres avec les lignes médianes sur le mur.
- Indiquer les 2 trous pour les vis sur le mur.
- Forer des trous pilotes de  $\frac{5}{16}$ " sur les emplacements indiqués.
- Placer les attaches d'accrochage au mur.
- Visser les vis à bois, à la main, dans les attaches pour permettre aux crochets de se dilater. Enlever les vis.

- Attacher l'équerre dans le mur à l'aide des vis à bois et/ou des attaches.



#### Situation de l'installation électrique

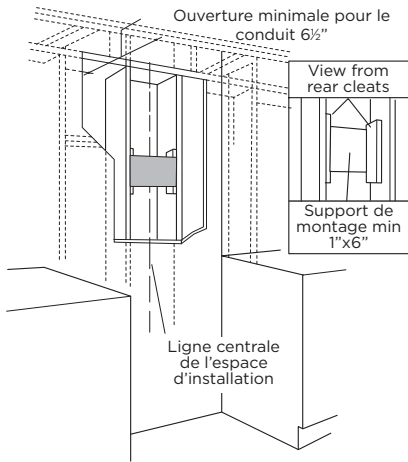
- La boîte de connexion est située sur le côté gauche supérieur de la hotte.
- Le câble doit entrer dans le mur arrière à au moins  $20\frac{1}{4}$ " au-dessus de la hauteur du fond de l'installation, et entre  $7\frac{5}{8}$ " et  $4\frac{7}{8}$ " du côté gauche de la ligne médiane.

#### Installer la structure de support de la hotte

- Si une paroi est présente, indiquer les emplacements des trous des vis. Enlever le gabarit.
- Couper suffisamment de paroi pour placer 2 crampons sur les trous indiqués sur la gabarit. Installer 2 supports horizontaux à au moins 4" x 2" entre les deux crampons muraux aux emplacements des trous de montage inférieurs et supérieurs.

- Le support horizontal doit être de niveau avec le côté pièce des crampons.
- Utiliser des tasseaux de deux côtés du support pour sécuriser aux crampons du mur.
- Replacer la paroi et faire les finitions..

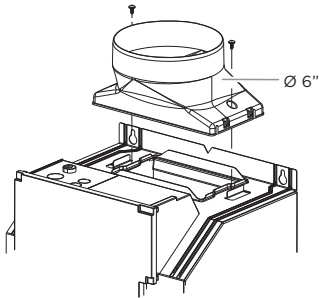
**IMPORTANT:** La paroi doit être capable de supporter 100 lbs.



### Monter la hotte

Installez le transition ronde de 6" comme le montre l'image ci-dessous.

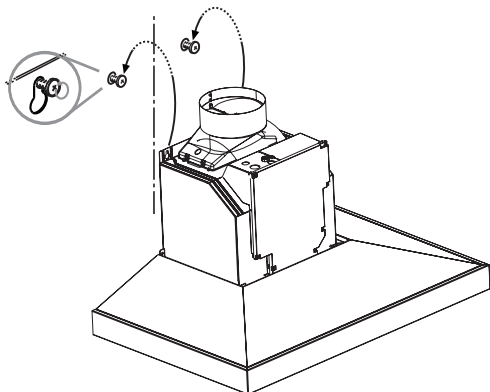
Les vis de montage et la transition ronde de 6" sont inclus dans le paquet de la hotte.



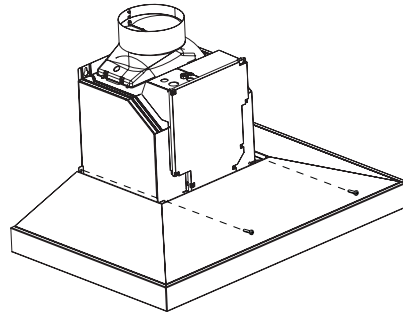
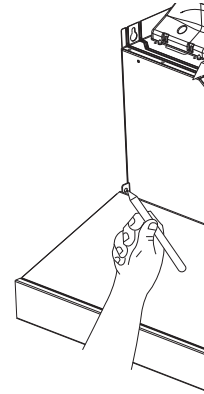
### I AVERTISSEMENT

2 PERSONNES SONT NÉCESSAIRES POUR SOULEVER ET PLACER LA HOTTE DANS LES VIS DE MONTAGE.

- Placer le gabarit sur le mur le long de la ligne horizontale, s'assurer que le gabarit est à niveau et centré sur la ligne médiane.
- Indiquer les emplacements des vis "supérieures" dans le mur.
- **IMPORTANT.** Vérifier que tous les emplacements des trous sont à niveau et correctement centrés sur la ligne médiane verticale.
- Visser les vis en bois "supérieures" à la main. Laisser une distance de 1/4 " entre la tête de la vis et le mur.
- Enlever les filtres anti-graisse et placer la hotte sur les vis "supérieures".

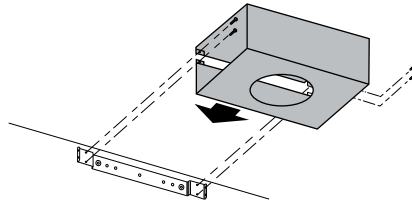


- Indiquer les emplacements des vis à bois "inférieures" sur le mur en utilisant un crayon.
- Enlever la hotte.
- Visser les vis en bois "inférieures" à la main. Enlever les vis.
- Placer la hotte dans les vis "supérieures".
- Visser et serrer les vis à bois "supérieures" à la main.
- Visser et serrer les vis à bois "inférieures" à la main.

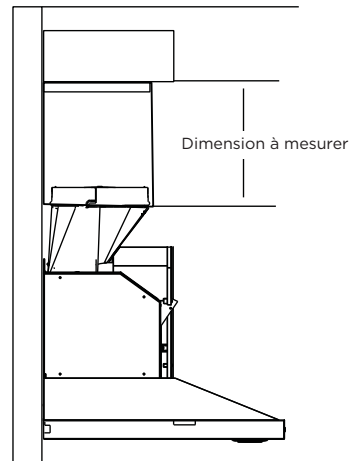


### Installation du déflecteur

- Assembler le déflecteur d'air avec les crochets du conduit de cheminée à l'aide des 4 vis fournies comme indiqué sur la figure.



- Prendre les mesures du fond du déflecteur d'air au fond de la sortie de la hotte, comme indiqué sur la figure.



- Couper le conduit à la dimension mesurée.
- Enlever le déflecteur d'air en retirant les 4 vis d'assemblage.
- Glisser le conduit dans le fond du déflecteur.
- Placer le déflecteur et le conduit assemblés sur la sortie d'évacuation de la hotte.
- Assembler le déflecteur d'air au crochet du conduit d'évacuation avec les 4 vis d'assemblage fournies comme indiqué sur la figure.



## Connexion électrique

### I AVERTISSEMENT

DANGER DE CHOC ÉLECTRIQUE.

### I AVERTISSEMENT

COUPEZ L'ALIMENTATION DU CIRCUIT DANS LE PANNEAU ÉLECTRIQUE AVANT DE RACCORDER LES FILS DE CET APPAREIL.

UN CIRCUIT DE 120 V C.A., DE 15 OU 20 A EST REQUIS.

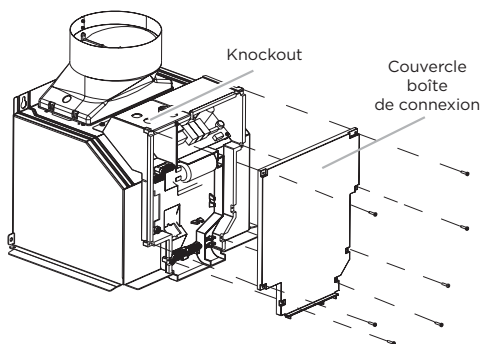
INSTRUCTIONS DE MISE À LA TERRE

Cet appareil est muni d'une boîte de jonction électrique à trois fils, dont l'un (vert/jaune) sert à mettre l'appareil à la terre.

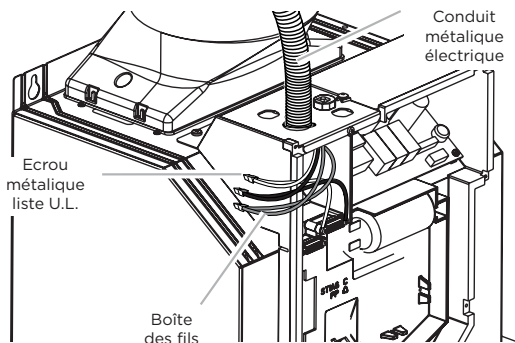
Pour vous protéger contre les chocs électriques, vous devez raccorder le fil vert/jaune au fil de mise à la terre du système électrique de votre maison. En aucune circonstance ce fil doit être coupé ou enlevé.

Le fait de ne pas respecter cette directive peut entraîner la mort ou un choc électrique.

En faisant face à l'avant de la hotte, retirez l'alvéole défonçable de gauche et le couvercle de la boîte de jonction et installez un connecteur de canalisation (Listé dans cULus) dans la boîte de jonction.



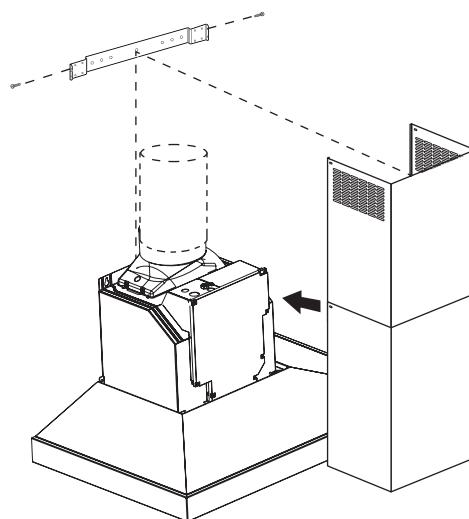
- Si ce n'est pas déjà fait, installer un tube de raccordement de 1/2" dans la boîte de connexion.
- Connecter ensemble les conducteurs noirs (C) à l'aide de connecteurs de fils (homologation UL).
- Connecter ensemble les conducteurs blancs (E) à l'aide de connecteurs de fils (homologation UL).
- À l'aide des connecteurs de fils (homologation UL), connecter le conducteur de liaison à la terre (vert ou nu) du câble d'alimentation du domicile au conducteur jaune-vert de liaison à la terre (F) dans le boîtier de connexion.
- Installer le couvercle du boîtier de connexion.



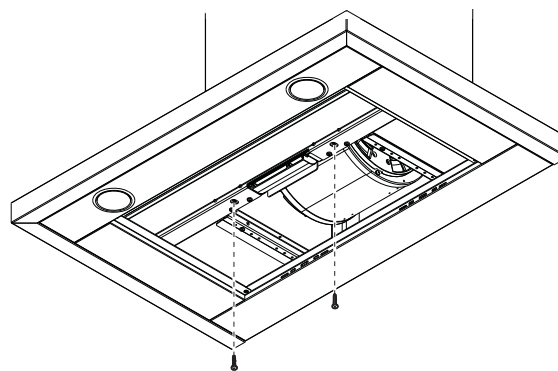
### Monter le conduit de cheminée

**Remarque: Le couvercle de la hotte avec des fentes autres que pour l'aération peut être placé sens dessus-dessous pour cacher (ou révéler) les fentes.**

- Placer le conduit de cheminée au-dessus de la hotte montée.
- Glisser le fond du conduit dans la couverture (hotte).
- Placer le dessous de la cheminée sur le crochet de montage du conduit. Si un conduit de cheminée télescopique est utilisé, attraper la partie supérieure du conduit télescopique, le tirer et le mettre en place dans le crochet de montage du conduit de cheminée.
- Assurer le dessus du conduit à l'aide des 2 vis d'assemblage fournies.



- Assurer le bas du conduit à l'aide des 2 vis d'assemblage fournies.



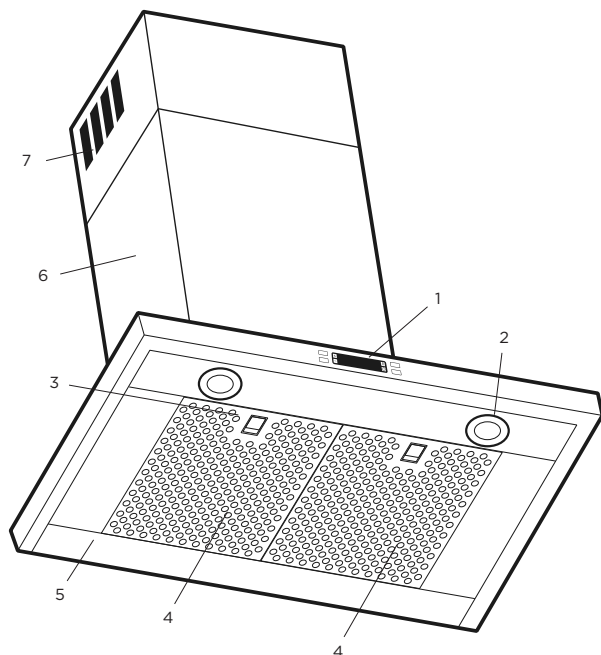
- Installer le filtre au charbon sur le côté arrière du filtre antigrasse (voir paragraphe relatif "Filtre au charbon"), installer les deux filtres sur la hotte et l'allumer sur le panneau de contrôle. Vérifier le fonctionnement de la hotte.

### Si la hotte ne fonctionne pas:

- Vérifiez que le disjoncteur ne s'est pas déclenché ou que le fusible n'est pas grillé.
- Débranchez l'alimentation. Vérifiez que les raccords électriques ont été effectués correctement.

Pour utiliser votre nouvelle hotte de façon optimale, lisez le sectionnes intitulée "Description de la hotte" et "Commandes". Gardez vos instructions d'installations et d'utilisation près de la hotte pour pouvoir vous y référer facilement.

## Description de la hotte



1. Contrôles soufflerie et lumières
2. Halogen lampes
3. Poignée filtre anti-graisse
4. Filtre anti-graisse
5. Couverture
6. Conduit de cheminée
7. Trous de ventilation (Uniquement pour la version avec recyclage d'air)

- Après avoir appuyé sur la touche "Timer", le système entre dans la modalité de réglage et l'utilisateur peut régler le temps de compte à rebours du timer en utilisant les touches "+" et "-" dans les 5 secondes.
- Si aucun réglage n'est effectué dans les 5 secondes suivant la sélection de la fonction "Timer" ou le réglage du temps, le compte à rebours commence.
- Durant le setup du "Timer", les touches "+" et "-" sont dédiées à la temporisation et ne font pas varier la vitesse du moteur.
- Une fois le compte à rebours commencé, il peut être annulé en appuyant sur la touche "Timer".

### 3. Display

- Montre l'état de la hotte.
- Quand la hotte n'est pas en fonction, le display s'allume à faible intensité. En appuyant sur n'importe quelle touche, le display s'illumine à forte intensité.
- Quand la hotte est en fonction, le display s'allume à forte intensité. Si aucune touche n'est enfoncée pendant 1 minute, le display s'illumine de nouveau à faible intensité.

### 4. "-" Touche diminution vitesse / OFF

- Cette touche est utilisée pour diminuer la vitesse du moteur et pour éteindre la hotte.
- Le moteur s'éteint en appuyant sur la touche "-" si la hotte se trouve à la première vitesse.
- Si le moteur se trouve à la deuxième vitesse et si l'on appuie sur la touche "-", le moteur passe à la première vitesse.
- Si le moteur se trouve à la troisième vitesse et si l'on appuie sur la touche "-", le moteur passe à la deuxième vitesse.
- Si le moteur se trouve à la quatrième vitesse et si l'on appuie sur la touche "-", le moteur passe à la troisième vitesse.
- Si le moteur est éteint et que l'on appuie sur "-", le display s'illumine.

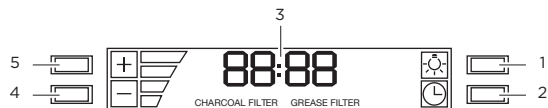
## Commandes



Utiliser la puissance d'aspiration maximum en cas de concentration très importante des vapeurs de cuisson. Nous conseillons d'allumer le dispositif d'aspiration 5 minutes avant de commencer la cuisson et de le faire fonctionner encore pendant 15 minutes environ après avoir terminé la cuisson.

Remarque: La hotte enregistre la dernière vitesse lorsque l'aspiration est coupée.

### Description du panneau de commandes



#### 1. Touche Lumière

- Appuyer sur la touche pour allumer la lumière "haute intensité" (état précédent lumière OFF).
- Appuyer sur la touche pour allumer la lumière "basse intensité" (état précédent lumière ON).
- Appuyer sur la touche pour éteindre la lumière (état précédent lumière ON).

#### 2. Touche Timer

- Le réglage par défaut du timer est de 10 minutes et il peut être ajusté entre 60 minutes et 1 minute.
- Le temps programmé par défaut est de 10 minutes et il peut être ajusté entre 1 minute et 60 minutes.

### 5. "+" Touche augmentation vitesse / ON

- Cette touche est utilisée pour augmenter la vitesse du moteur et pour allumer la hotte.
- Le moteur s'allume en appuyant sur la touche "+" si la hotte se trouve en OFF.
- Si le moteur se trouve à la première vitesse et si l'on appuie sur la touche "+", le moteur passe à la deuxième vitesse.
- Si le moteur se trouve à la deuxième vitesse et si l'on appuie sur la touche "+", le moteur passe à la troisième vitesse.
- Si le moteur se trouve à la troisième vitesse et si l'on appuie sur la touche "+", le moteur passe à la quatrième vitesse.
- Si le moteur se trouve à la quatrième vitesse et si l'on appuie sur la touche "+", un beep est émis.

### Programmation Horloge

- L'horloge peut être réglée à tout moment à l'exception de quand la fonction timer est activée.
- L'horloge peut être visualisée dans le format 12 heures avec un temps de visualisation compris entre 1:00 et 12:59.
- L'horloge peut être réglée en appuyant sur la touche "Timer" pendant 3 secondes, en agissant successivement sur les touches "+" et "-" pour régler l'heure.

- L'utilisateur peut augmenter/diminuer l'heure par pas d'1 minute, mais si la pression des touches "+" / "-" est de plus d'une seconde, l'augmentation/diminution se fera par 5 minutes. Durant cette opération, le contrôle arrondit aux 5 minutes les plus proches.
- L'utilisateur peut terminer la phase de réglage de l'heure en appuyant sur la touche "Timer".
- Après 1 minute sans avoir appuyé sur aucune touche, le contrôle accepte la valeur réglée et ajoute 1 minute à celle-ci et commence à compter.

#### Signal saturation Filtres anti-graisses (En option)

- Après 40 heures de fonctionnement du moteur, apparaît sur le display l'indication "Grease Filter" si le moteur est allumé. Quand ce signal apparaît sur le display, le filtre installé doit être lavé.
- Pour remettre à zéro le signal de saturation des filtres, l'utilisateur doit appuyer sur la touche "+" pendant 5 secondes, après quoi, le signal "Grease Filter" disparaît et le display montre l'état de fonctionnement.

#### Signal saturation Filtre au Carbone (En option)

- Après 120 heures de fonctionnement du moteur, apparaît sur le display l'indication "Charcoal Filter" si le moteur est allumé. Quand ce signal apparaît sur le display, le filtre à charbon installé doit être remplacé ou réactivé.

Pour remettre à zéro le signal de saturation des filtres, l'utilisateur doit appuyer sur la touche "-" pendant 5 secondes, après quoi, le signal "Charcoal Filter" disparaît et le display montre l'état de fonctionnement.

#### Activation/Désactivation signal acoustique

- Les signaux sonores peuvent être activés ou désactivés en appuyant sur la touche "Lumière" pendant 5 secondes.
- Si le signal sonore est activé, un son est émis et le symbole "Snd" doit apparaître sur le display pendant 3 secondes.
- Si le signal sonore est désactivé, le symbole "Snd" doit apparaître sur le display pendant 3 secondes et aucun son ne doit être émis.

#### Activation/Désactivation signal Filtre Charbon (version Filtrante)

- L'activation et la désactivation du signal saturation filtre charbon peut être réglé en appuyant simultanément pendant 5 secondes sur les touches "-" e "+" .
- L'activation ou la désactivation doit être réglée avec moteur et lampes OFF.
- Quand le signal Filtre Charbon est désactivé, l'alarme est déshabillée.

#### Alarme Température

- La hotte est équipée d'un détecteur de température qui active le moteur en troisième vitesse dans le cas où la température de la zone environnante soit trop élevée (supérieure à 149° F ou 65° C).
- Si le moteur est OFF ou en première vitesse, et si l'alarme intervient, le moteur se positionne automatiquement à la troisième vitesse et sur le display apparaîtra le signal "CarE".
- Durant cet état, l'utilisateur peut uniquement augmenter la vitesse du moteur.
- Quand la température retourne sous le seuil d'alarme, le moteur retourne dans sa condition précédente à l'alarme.

#### AVANT D'INSTALLER LA HOTTE

Certaines régions et provinces des États-Unis et Canada limitent la puissance de évacuation des hottes à des performances inférieures à certaines valeurs. Ces valeurs sont soulignées dans le code local de votre région. S'il vous plaît vérifier votre code local pour savoir si vous avez besoin de limiter la puissance de votre hotte. Si votre code local restreint les valeurs de performance des hottes de cuisinière, s'il vous plaît exécutez la suivante bouton-pression séquence:

#### Sous-performant



- Appuyez sur les boutons TIMER (1), LIGHTS (2) et - (3) pendant 5 secondes
- Résultat:  
L'indicateur "LO" sera affiché.  
Les 3ème et 4ème vitesses seront désactivées.



## I ATTENTION!

Avant toute opération de nettoyage ou d'entretien, débrancher la hotte du circuit électrique en enlevant la prise ou en coupant l'interrupteur général de l'habitation.

### Nettoyage

Ne pas vaporiser de nettoyants directement sur le panneau de contrôle lors du nettoyage de la Hotte. La hotte doit être régulièrement nettoyée à l'intérieur et à l'extérieur (au moins à la même fréquence que pour l'entretien des filtres à graisse). Pour le nettoyage, utiliser un chiffon humidifié avec un détergent liquide neutre. Ne pas utiliser de produit contenant des abrasifs.

NE PAS UTILISER D'ALCOOL!

## I ATTENTION

Il y a risque d'incendie si vous ne respectez pas les instructions concernant le nettoyage de l'appareil et le remplacement ou le nettoyage du filtre.

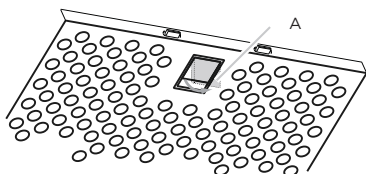
La responsabilité du constructeur ne peut en aucun cas être engagée dans le cas d'un endommagement du moteur ou d'incendie liés à un entretien négligé ou au non respect des consignes de sécurité précédemment mentionnées.

### Filtre à graisse

Il retient les particules de graisse issues de la cuisson. Le filtre doit être nettoyé une fois par mois avec des détergents non agressifs, à la main ou dans le lave-vaisselle à faibles températures et cycle rapide.

Le lavage du filtre anti-graisse métallique au lave-vaisselle peut en provoquer la décoloration. Toutefois, les caractéristiques de filtrage ne seront en aucun cas modifiées.

Pour démonter le filtre anti-graisse, tirer la poignée de décrochement à ressort.



A. Poignée à ressort

### Remplacement des ampoules

#### ATTENTION

Avant de remplacer les lampes, couper le courant au niveau de la boîte à fusible et verrouiller cette dernière pour prévenir tout risque qu'on remette le courant accidentellement.

**REMARQUE:** Couper l'aspiration et les lampes. Laisser les lampes refroidir avant de les manipuler. Si les nouvelles ampoules ne fonctionnent pas, s'assurer qu'elles sont insérées correctement avant d'appeler le service clientèle.

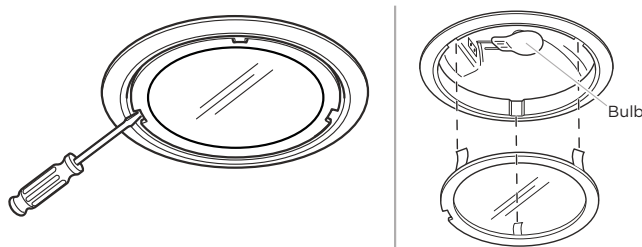
### Remplacer les ampoules

- Enlever le couvercle de la lampe intérieure en insérant un tournevis plat dans chacune des trois fentes et appuyer doucement pour le libérer.

**REMARQUE:** Ne pas enlever l'anneau extérieur de retenue (assemblage lampe). Attraper l'ampoule et la retirer.

- Remplacer avec une ampoule halogène 120 volt, 40 watt à base G9 ADAPTEE POUR L'UTILISATION DANS LES LAMPES OUVERTES.
- Suivre les instructions sur l'emballage, porter des gants, ne pas toucher à mains nues.

- Replacer le couvercle en insérant les trois pattes de retenue dans les trois fentes et les presser fermement en place.



### Filtres à charbon

Si le système n'a pas d'évacuation vers l'extérieur, l'air va circuler à travers des filtres à charbon jetables qui vont aider à éliminer fumée et odeurs.

Les filtres au charbon sont fixés sur le châssis du compartiment moteur.

**NOTE:** Les filtres à charbon NE sont PAS inclus dans la hotte. Ils doivent être commandés chez votre revendeur. Commander le kit nécessaire en spécifiant votre modèle de hotte et sa largeur.

### Nettoyer/remplacer le filtre au charbon

A la différence des autres filtres au charbon, le filtre au charbon LONGLIFE peut être nettoyé et réactivé.

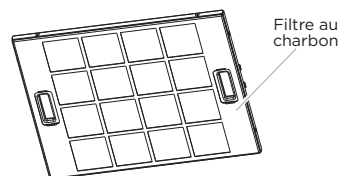
Au cours d'une utilisation normale, le filtre devrait être nettoyé tous les deux mois (lorsque l'on utilise la hotte 2,5 heures par jour en moyenne). La meilleure façon de nettoyer le filtre est le lave-vaisselle.

Utiliser un détergent habituel et choisir la plus haute température (**65° C ou 149° F**).

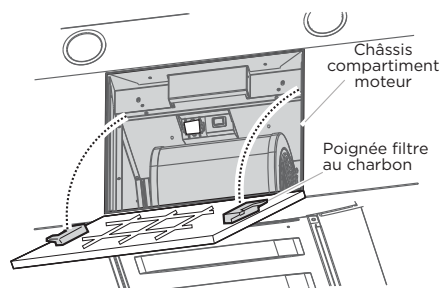
Nettoyer le filtre à part de façon à ce qu'aucun reste alimentaire ne se colle sur le filtre et puisse causer de mauvaises odeurs par la suite.

Pour réactiver le filtre au charbon, le filtre doit être séché dans un four pendant 10 minutes à une température maximale de **100° C ou 212° F**.

Après environ une année d'utilisation, le filtre au charbon doit être remplacé par un nouveau car la capacité de réduction des odeurs peut être réduite.



Filtre au charbon



### POUR OBTENIR UN DEPANNAGE SOUS GARANTIE

Le propriétaire doit présenter une preuve de la date d'achat. Garder une copie de votre preuve d'achat datée (ticket de caisse) de façon à pouvoir bénéficier du service après-vente sous garantie.

### GARANTIE PIÈCES DE RECHANGE ET MAIN D'OEUVRE

Pendant une période de deux (2) ans à partir de la date d'achat, Elica s'engage à fournir gratuitement les pièces de rechange ou les composants autres que les recharges ayant des défauts de fabrication.

Durant cette garantie de deux (2) ans, Elica fournira également gratuitement, toute la main d'oeuvre et le service à domicile pour remplacer d'éventuelles pièces défectueuses.

### CE QUE LA GARANTIE NE COUVRE PAS

- Dégât ou panne du produit causé par un accident ou un cas de force majeure tels que inondation, incendie ou tremblement de terre.
- Dégât ou panne du produit causé par modification du produit ou utilisation de pièces pas d'origine.
- Dégât ou panne du produit causé lors de la livraison, de la manipulation ou de l'installation.
- Dégât ou panne du produit causé par une mauvaise utilisation.
- Dégât ou panne du produit causé par un remplacement des fusibles ou une remise en fonction des disjoncteurs par le propriétaire.
- Dégât ou panne du produit causé par une utilisation du produit pour raison commerciale.
- Déplacement à domicile pour explication d'utilisation ou d'entretien.
- Ampoules, filtres métalliques ou au charbon et toute autre pièce consommable.
- Usure normale.
- Usure due à une mauvaise utilisation du propriétaire, un entretien incorrect, une utilisation de substances nettoyantes corrosives ou abrasives et produits de nettoyage pour four.

### QUI EST COUVERT

Cette garantie s'étend à l'acheteur original de produits achetés pour un usage domestique habituel en Amérique du Nord (Y compris Etats Unis, Guam, Porto Rico, les Iles virgin Américaines & le Canada).

Cette garantie n'est pas transférable et vaut uniquement pour l'acheteur original et ne s'étend pas aux propriétaires successifs du produit. Cette garantie vaut expressément en lieu et place de toute autre garantie, expresse ou sous-entendue, mais ne limite pas toute autre garantie sous-entendue de marchandage ou adaptation dans un but particulier et toute autre obligation de la part de Elica North America, étant entendu, cependant, que si la réclamation pour garanties sous-entendues n'est pas applicable aux yeux de la loi en vigueur, la durée de toute garantie sous-entendue émanant de la loi doit être limitée à deux (2) ans à partir de la date d'achat du produit ou à une période plus longue selon ce que dit la loi en vigueur.

Cette garantie ne couvre pas tout dégât particulier, accidentel et/ou consécutif, ni les pertes et profits, à charge du propriétaire, des ses clients et/ou des utilisateurs Des produits.

### QUI CONTACTER

Pour obtenir un Service Après-vente durant la Garantie ou pour toute autre Question liée au Service Après-vente, visitez la section de support sur le site ci-dessous:

[www.elica.com](http://www.elica.com)

Demandez à votre preuve de la date d'achat, prêt pour les questions de garantie.

**Contenido**

Aviso de Seguridad Importante.....31

    Requisitos Eléctricos y de Instalación..... 32

    Antes de instalar la campana..... 32

Dimensiones y Espacios Libres.....32

Lista de Materiales..... 33

    Piezas suministradas ..... 33

    Piezas no suministradas ..... 33

Tipos de ventilación..... 34

Instalación (Versión aspirante)..... 34

Instalación (Versión sin ductos [recirculante]).....37

Descripción de la campana..... 40

Control.....40

Mantenimiento.....42

Garantía ..... 44

**APROBADO PARA APARATOS DE USO DOMÉSTICO  
SÓLO PARA USO DOMÉSTICO  
LEA Y GUARDE ESTAS INSTRUCCIONES**

**ANTES DE CONTINUAR, LEA LAS INSTRUCCIONES POR COMPLETO.  
LA INSTALACIÓN DEBE CUMPLIR TODA LA NORMATIVA LOCAL.**

**IMPORTANTE:** guarde estas instrucciones para su uso por parte del inspector de electricidad local.

**INSTALADOR:** entregue al propietario estas instrucciones junto con la unidad.

**PROPIETARIO:** conserve estas instrucciones para futuras consultas.

**Advertencia de Seguridad:** antes de realizar el cableado de este aparato, desactive el circuito de energía eléctrica en el panel de servicio y desbloquee el panel.

**Requisito:** Circuito auxiliar de 120 V AC, 60 Hz. 15 ó 20 A.

## I AVISO DE SEGURIDAD IMPORTANTE

### I PRECAUCIÓN

SÓLO PARA USO DE VENTILACIÓN GENERAL. NO UTILIZAR PARA EXPULSAR VAPORES O MATERIALES PELIGROSOS O EXPLOSIVOS.

### I ADVERTENCIA

PARA REDUCIR EL RIESGO DE FUEGO, DESCARGA ELÉCTRICA O LESIONES PERSONALES, RESPETE LO SIGUIENTE:

- A. Utilice esta unidad solamente en el modo que indica el fabricante. En caso de duda, póngase en contacto con el fabricante.
- B. Antes de reparar o limpiar la unidad, desconecte la alimentación en el panel de servicio y bloquee los medios de desconexión del panel de servicio para evitar la conexión accidental de la alimentación. Si no es posible bloquear los medios de desconexión del panel de servicio, coloque un dispositivo de advertencia que destaque como, por ejemplo, una etiqueta, en el panel de servicio.
- C. La instalación y el cableado eléctrico deben realizarlos personas cualificadas de acuerdo con las normativas y los estándares aplicables, incluida la construcción ignífuga.
- D. Es necesaria una ventilación suficiente para la correcta combustión y expulsión de gases por la salida de humos (Chimenea) del equipo de combustión de carburante para evitar el contratiro. Siga las directrices de fabricantes de equipos de calefacción y los estándares de seguridad como los publicados por la National Fire Protection Association (NFPA), American Society for Heating, Refrigeration and Air Conditioning Engineers (ASHRAE) y las normativas locales.
- E. Al efectuar orificios en una pared o techo, no dañe el cableado eléctrico y otras instalaciones ocultas.
- F. Los sistemas instalados mediante conducto deben tener ventilación con salida al exterior.

### I PRECAUCIÓN

Para reducir el riesgo de fuego y conseguir una salida del aire correcta, asegúrese de conducir el aire hacia el exterior. No permita que el aire se expulse en espacios situados en el interior de muros, techos, desvanes, sótanos de pequeña altura o garajes.

### I ADVERTENCIA

PARA REDUCIR EL RIESGO DE FUEGO, UTILICE SOLAMENTE TUBOS METÁLICOS.

Instale esta campana de acuerdo con los requisitos especificados.

### I ADVERTENCIA

Para reducir el riesgo de fuego o descarga eléctrica, no utilice esta campana con ningún dispositivo externo en estado sólido para el control de la velocidad.

### I ADVERTENCIA

PARA REDUCIR EL RIESGO DE INCENDIO OCASIONADO POR GRASA:

- a) No deje nunca ninguna unidad externa desatendida y con valores de fuego altos. La cocción puede causar humo o reboses de grasa que pueden prender fuego. Caliente el aceite a fuego lento o medio.
- b) Encienda siempre la campana cuando cocine a una temperatura alta o cuando realice flameados (Por ejemplo, crepes Suzette, cerezas flameadas, ternera a la pimienta flameada).
- c) Limpie con frecuencia los ventiladores. No permita que la grasa se acumule en el ventilador o filtro.
- d) Utilice un tamaño de sartén adecuado. Utilice siempre piezas de batería de cocina adecuadas al tamaño del elemento de superficie.

### I ADVERTENCIA

PARA REDUCIR EL RIESGO DE LESIONES PERSONALES, EN CASO DE FUEGO OCASIONADO POR GRASA, TENGA EN CUENTA LO SIGUIENTE: <sup>a</sup>

- a) EXTINGA LAS LLAMAS con una tapa ajustada, una lámina para hacer galletas u otro tipo de bandeja metálica y apague el quemador de gas o elemento eléctrico. TENGA CUIDADO PARA EVITAR QUEMADURAS. Si las llamas no se extinguen inmediatamente, DESALOJE EL LUGAR Y LLAME A LOS BOMBEROS.
- b) NUNCA TOME UNA SARTÉN EN LLAMAS, podría sufrir quemaduras.
- c) NO UTILICE AGUA, incluidas bayetas o toallas húmedas ya que se produciría una violenta explosión de vapor.
- d) Utilice un extintor SÓLO si:
  - 1) Sabe que dispone de un extintor de la clase ABC y conoce su funcionamiento.
  - 2) El fuego es pequeño y se encuentra en la misma zona donde se inició.
  - 3) Ha llamado a los bomberos.
  - 4) Puede luchar contra el fuego teniendo una salida a su espalda.

<sup>a</sup>Basado en los "Tips de seguridad contra incendios de cocina" publicados por la NFPA.

### FUNCIONAMIENTO

Coloque siempre las rejillas y los filtros de seguridad en su lugar correspondiente. Sin estos componentes, los ventiladores en funcionamiento podrían atrapar su pelo, sus dedos o su ropa.

El fabricante declina toda responsabilidad en caso de fallo de cumplimiento de las instrucciones aquí facilitadas para la instalación, el mantenimiento y el uso adecuado del producto. El fabricante declina además toda responsabilidad por daños ocasionados por negligencia y la garantía de la unidad queda cancelada automáticamente como consecuencia de un mantenimiento incorrecto.

### I PRECAUCIÓN

Equipo operado automáticamente - para reducir el riesgo de lastimarse desconecte de la línea antes de dar servicio.

## REQUISITOS ELÉCTRICOS Y DE INSTALACIÓN

### IMPORTANTE

Cumpla todas las normativas y ordenanzas gubernamentales. Es responsabilidad del cliente:

- Ponerse en contacto con un instalador eléctrico cualificado.
- Asegurarse de que la instalación eléctrica es adecuada y en conformidad con National Electrical Code, ANSI/NFPA 70 (última edición\*) o CSA Standards C22.1-94, Canadian Electrical Code, Parte 1 y C22.2 No.0-M91 (última edición\*) y toda la normativa y las ordenanzas locales.
- Si la normativa lo permite y se utiliza un cable de toma a tierra independiente, se recomienda que un electricista cualificado determine si la difracción de onda de tierra es la adecuada.
- No ubique la toma a tierra en una tubería de gas.
- Si no está seguro de que la campana está correctamente conectada a tierra, consulte a un electricista cualificado.
- No coloque ningún fusible en el circuito neutral o con vuelta por tierra.

### IMPORTANTE

- Guarde las instrucciones de instalación para su uso por parte del inspector de electricidad.
- La campana debe estar conectada únicamente con hilo de cobre.
- La campana debe estar conectada directamente al desconectador con fusible (O disyuntor) mediante canal metálico de cables eléctricos.
- Los tamaños de cable deben cumplir los requisitos de la National Electrical Code, ANSI/NFPA 70 (última edición\*) o CSA Standards C22.1-94, Canadian Electrical Code, Parte 1 y C22.2 No.0-M91 (última edición\*) y toda la normativa y las ordenanzas locales.

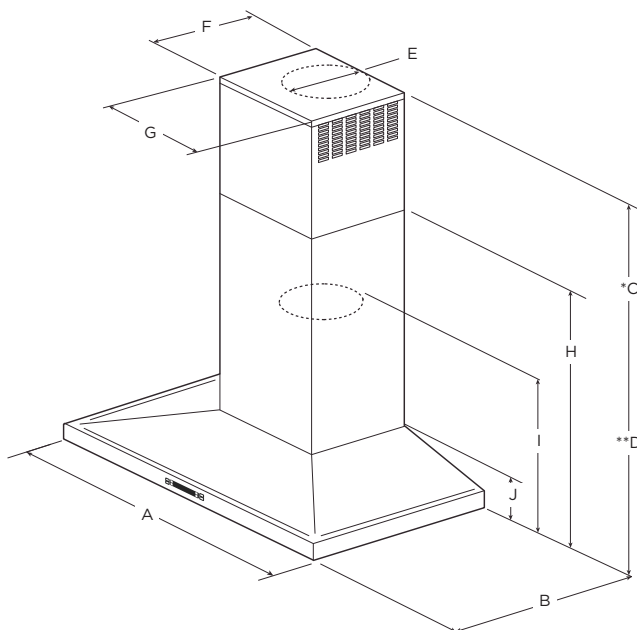
- Es preciso colocar un conector de canal de cables enumerado en U.L. o C.S.A. en cada extremo del canal de cables de fuente de alimentación (En la campana y en la caja de conexiones).

Se pueden obtener copias de los estándares enumerados en:  
 \* National Fire Protection Association Batterymarch Park Quincy, Massachusetts 02269  
 \*\* CSA International 8501 East Pleasant Valley Road Cleveland, Ohio 44131-5575

### ANTES DE INSTALAR LA CAMPANA

- 1 Para obtener una circulación del flujo de aire más eficaz, utilice un tubo de tramo recto o el menor número posible de tubos acodados. PRECAUCIÓN: el conducto de ventilación solamente debe tener salida hacia la parte exterior del edificio.
- 2 Para realizar la instalación, se necesitan al menos dos personas.
- 3 La campana se ajusta mediante material adecuados para la mayoría de superficies; consulte a un instalador cualificado para comprobar si quedan perfectamente ajustados al armario o a la pared. No emplee tubos flexibles.
- 4 Las instalaciones en CONDICIONES CLIMÁTICAS FRÍAS deben tener instalado un regulador de contratiro adicional para minimizar el flujo de aire inverso y una rotura térmica no metálica para minimizar la conducción de temperaturas externas como parte de los tubos. EL regulador debe encontrarse en la parte de aire frío de la rotura térmica. La rotura debe estar lo más cerca posible al lugar donde los tubos entran en la parte caliente de la casa.
- 5 Aire limpio: Las normativas locales para edificios pueden requerir el uso de sistemas de aire limpio cuando se utilizan sistemas de ventilación mediante tubos superiores al CFM especificado de movimiento de aire.
- 6 El CFM especificado varía de una zona a otra. Para conocer los requisitos específicos de su zona, consulte a un profesional de HVAC.

## DIMENSIONES Y ESPACIOS LIBRES



	Modelos	
	ELG630S2	ELG636S2
<b>A</b>	30" (76 cm)	36" (91.2 cm)
<b>B</b>	19 <sup>1</sup> / <sub>6</sub> " (50 cm)	
<b>C*</b>	Max: 42 <sup>5</sup> / <sub>8</sub> " (108.2 cm) Min: 28 <sup>3</sup> / <sub>8</sub> " (71.9 cm)	
<b>D**</b>	Max: 36 <sup>1</sup> / <sub>6</sub> " (93.8 cm) Min: 24 <sup>3</sup> / <sub>8</sub> " (62.5 cm)	
<b>E</b>	6" (15.24 cm)	
<b>F</b>	10 <sup>3</sup> / <sub>4</sub> " (27.3 cm)	
<b>G</b>	13 <sup>3</sup> / <sub>8</sub> " (33.5 cm)	
<b>H</b>	28 <sup>5</sup> / <sub>8</sub> " (73 cm)	
<b>I</b>	20 <sup>1</sup> / <sub>2</sub> " (52 cm)	
<b>J</b>	5" (12.7 cm)	

\* Solamente en la versión sin tubos (Recirculación)

\*\* Solamente en la versión con tubos



# LISTA DE MATERIALES

## PIEZAS SUMINISTRADAS

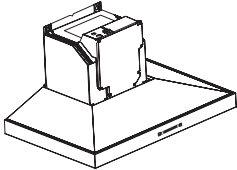
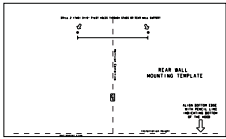

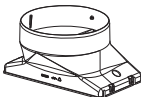



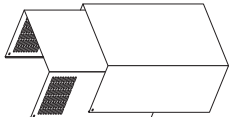

Remoción de la confección

### | PRECAUCIÓN

Quite la caja cuidadosamente, use guantes para protegerse contra los bordes afilados..

### | ADVERTENCIA

Quite la película de protección que cubre el producto antes de ponerlo en funcionamiento.

Pieza Suministrada	Piezas	Pieza Suministrada	Piezas
 Ensamble de la campana	1	 Plantilla de montaje	1
 5x45 mm	6	 Transición redonda de 6"	1
 4.2x8 mm	8	 Soporte de cubreductos	1
 3.5x9.5 mm	2	 Cubreductos	2
 8x40 mm	6		
Piezas no suministradas			

### Herramientas/Materiales necesarias

- Tapones de cable
- Cinta para montar la plantilla
- Conducto redondo de 6" (15.2 cm)
- Cinta Métrica
- Cutter
- Pinzas para cortar y pelar cable
- Nivel
- Alicates
- Cinta de aislar
- Lentes de seguridad
- Masking tape
- Martillo
- Destornilladores:
  - Phillips (Posidrive) # 2
  - Torx # 2
- Tapones para cable
- Taladro con brocas: 5/16" y 3/8"
- Guantes de protección
- Retén de cable
- Caladora o Taladro

### Accesorios opcionales

#### Kit Recirculante

Solamente se puede utilizar en la versión sin tubos (Recirculación).

incluye: filtro de carbón, soporte y abrazadera de sujeción de filtro de carbón y deflector.

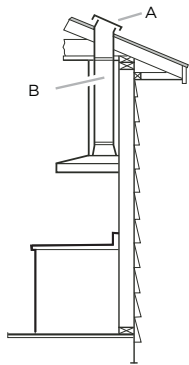
## Tipos de ventilación

Siga detenidamente las instrucciones expuestas en este manual. Se declina toda responsabilidad de cualquier inconveniencia, daños o incendios eventuales ocasionados por el incumplimiento de las instrucciones de este manual.

### Salida de escape

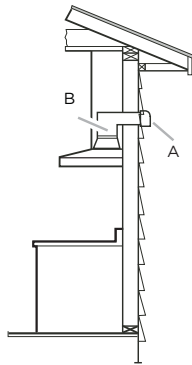
La campana está equipada con una transición redonda de 6" (15.2 cm) para descargar gases y vapor procedentes de la cocina al exterior.

Ventilación techo



A. Cubierta de techo  
B. Tubería redonda de 6"

Ventilación pared



A. Cubierta de pared  
B. Tubería redonda de 6"

### Preparación

No corte una vigueta o un perno a menos que sea absolutamente necesario. Si fuera necesario efectuar el corte, deberá construirse un marco de soporte.

Se suministra el material de ajuste necesario para fijar la campana a la mayoría de tipos de muro o techo.

No obstante, un técnico cualificado debe comprobar la idoneidad de los materiales de acuerdo con el tipo de muro o techo. Antes de efectuar ningún corte, asegúrese de existe espacio libre adecuado en el techo o muro para la expulsión del aire.

### Altura recomendada de instalación:

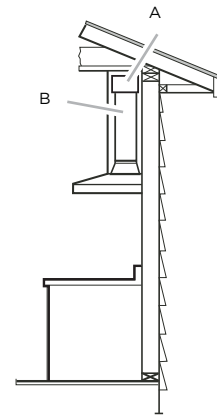
La altura de instalación de la campana queda a consideración del usuario, siempre y cuando cumpla con las medidas recomendadas.

Cuanto más cerca esté la campana de la estufa, mas eficaz resultará la captura de olores, grasa y humos.

### Recirculante

En caso de que no sea posible la descarga de gases y del vapor procedentes de la cocina al exterior, la campana se puede utilizar en la versión sin tubos (Recirculación). Coloque un filtro de carbono activado y el deflector en el soporte de sujeción de la cubierta de tubo. Los gases y vapores se reciclan a través de la rejilla superior mediante un conducto conectado al cambio de sección y el cambio de sección montado en el deflector.

Sólo para esta versión: adquiera el Kit Recirculante. Tamaño mínimo del ducto: Tubería redonda de 6".



A. Deflector  
B. Tubería redonda 6" (15.2 cm)

### PRECAUCIÓN

PARA LA INSTALACIÓN DE ESTUFAS DE GAS: INSTALE ESTA CAMPANA DE TAL MANERA QUE LA CORNISA INFERIOR SE ENCUENTRE A 30" (76,2 CM) SOBRE LA SUPERFICIE DE COCCIÓN.

PARA LA INSTALACIÓN DE ESTUFAS ELÉCTRICAS: INSTALE ESTA CAMPANA DE TAL MANERA QUE LA CORNISA INFERIOR SE ENCUENTRA A NO MENOS DE 24" (61 CM) Y NO MÁS DE 30" (76,2 CM) SOBRE LA SUPERFICIE DE COCCIÓN.

PARA USO ELECTRODOMÉSTICO. POR FAVOR, LEA EL MANUAL DE INSTALACION PARA UNA INSTALACIÓN ESPECIFICA.

Antes de seleccionar la campana, compruebe la altura del techo y la altura máxima de la campana.

## Instalación - Versión aspirante

- Si es posible, desconecte y deslice la estufa fuera de la apertura de instalación del gabinete de la cocina para permitir un acceso fácil al muro posterior. De lo contrario, coloque una cubierta protectora gruesa sobre la cubierta o la estufa para protegerla de daños o suciedad. Seleccione una superficie plana para montar la unidad. Coloque una cubierta protectora sobre la superficie y coloque en ella todas las piezas de la carcasa de la campana, tornillos y elementos metálicos.
- Determine y marque la línea central en el muro donde se instalará la carcasa de la campana.
- Seleccione una altura de montaje confortable para el usuario y realice una marca en el muro situado detrás de la cocina.
- Coloque la plantilla de manera que coincida con la línea central y la parte inferior de la campana.

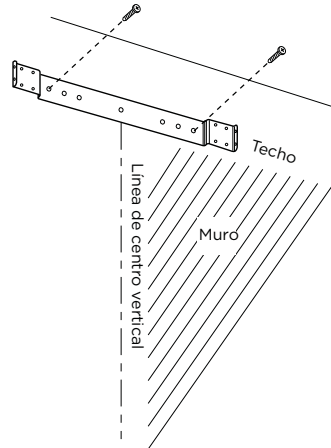
### Montar el soporte de la cubierta del conducto

El soporte del conducto deberá ser instalado contra la pared posterior a ras con el techo. Este soporte, sujetará la cubierta del conducto de la parte superior en su lugar.

### Asegure el soporte de pared:

- Alinee la línea de centro marcada en el soporte con la línea de centro de la pared.
- Marque la posición de 2 agujeros en la pared.
- Taladre los agujeros guía con una broca de 5/16" en los lugares apropiados.
- Instale los taquetes a la pared.
- Con la mano inserte los tornillos para madera dentro de los taquetes para permitir que estos se expandan. Desatornille los tornillos.

- Sujete el soporte en la pared con tornillos para madera y taquetes.



### Instalación de conducto(s) hacia el techo

Si el conducto ventilará el aire hacia el techo:

- Utilice el nivel para trazar una línea recta, desde la línea central de la plantilla hasta el techo.
- Mida por lo menos 4 $\frac{1}{8}$ " desde la pared hasta el centro del círculo de un agujero de 6 $\frac{1}{2}$ " en el techo.

### Instalación de conducto(s) hacia la pared

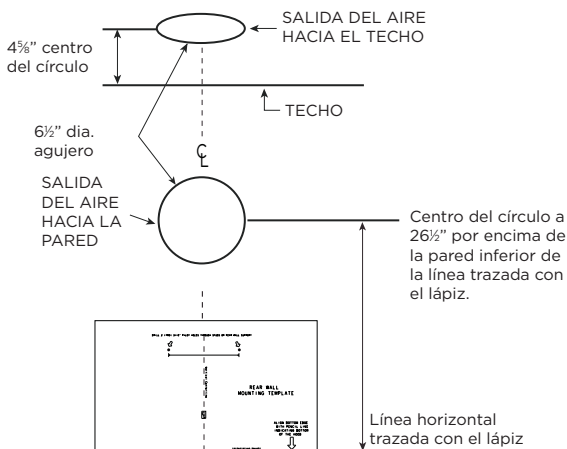
Si el conducto ventilará el aire hacia la parte posterior (pared):

**NOTA:** se sugiere utilizar un adaptador para ductos redondo a rectangular, para una extensión mínima del cubreductos.

- Use el nivel para trazar una línea recta, desde la línea central de la plantilla.
- Mida por lo menos 26 $\frac{1}{2}$ " (la medida podría cambiar dependiendo del codo que se usa) sobre la línea que indica la parte inferior de la altura de la instalación, al centro del círculo del agujero del conducto con un diámetro de 6 $\frac{1}{2}$ ". (El agujero podría ser alargado para el codo del conducto).

### Ubicación del cableado eléctrico proveniente de la casa

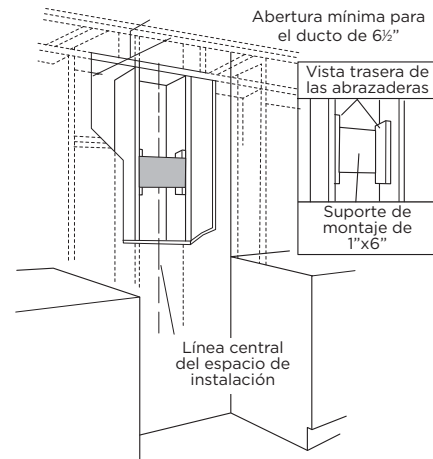
- La caja de conexión se encuentra en la parte superior izquierda de la campana.
- El cableado deberá entrar en la pared por lo menos de 20 $\frac{1}{4}$ " por encima de la altura inferior de la instalación y entre 7 $\frac{1}{8}$ " y 4 $\frac{1}{8}$ " del lado izquierdo de la línea de centro.



### Instalación de la estructura de soporte para la campana

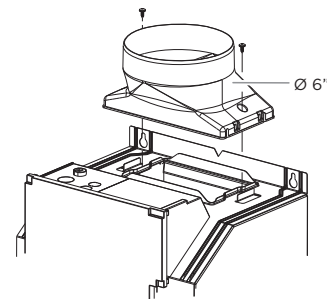
- Si se cuenta con pared falsa (cartón yeso) marque la ubicación de los agujeros para los tornillos. Y retire la plantilla.
- Remueva (corte) lo suficiente de pared para posicionar 2 postes verticales en la ubicación de los agujeros referenciados en el punto anterior con ayuda de la plantilla.
- Instale dos soportes horizontales de por lo menos 4" x 2" entre dos postes de la pared, en donde deberán ir posicionados los agujeros inferiores y superiores.
- El soporte horizontal debe ser nivelado con el lado de la habitación con los postes de la pared.
- Use abrazaderas (bridas) detrás de ambos lados del soporte para sujetarlo hacia la pared.
- Reinstale la pared falsa (cartón yeso), resane y termine.

**IMPORTANTE:** La estructura debe ser capaz de sostener 100 lb.



### Montar la campana

Instale la transición redonda de 6" como lo indica la figura inferior. Los tornillos de montaje y la transición redonda de 6" se incluyen en el empaque de la campana.

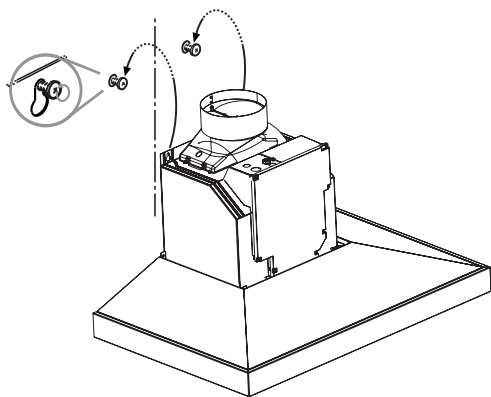


### I ADVERTENCIA

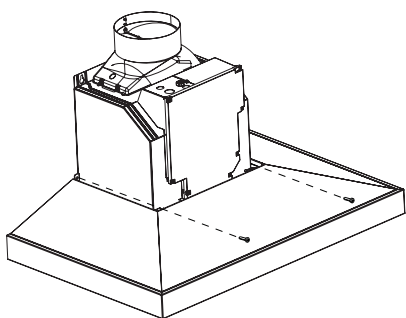
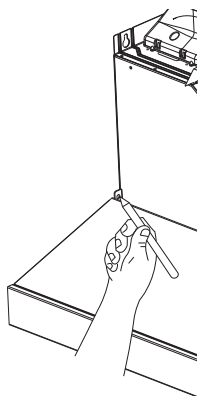
2 PERSONAS SON NECESARIAS PARA LEVANTAR Y POSICIONAR LA CAMPANA EN LOS PERNOS (TORNILLOS) DEMONTAJE.

- Coloque la plantilla sobre la pared a lo largo de la línea horizontal.
- Asegúrese de que la plantilla esté nivelada y centrada con la línea de centro.
- Marque en la pared donde deberán ir los agujeros "superiores".
- **IMPORTANTE.** Controle que dichos agujeros, estén nivelados y centrados correctamente con la línea de centro vertical.
- Posicione y asegure los tornillos para madera "superiores" con la mano. Deje 1/4" de distancia entre la cabeza del tornillo y la pared.

- Quitar los filtros de grasa y monte la campana sobre los tornillos “superiores”.

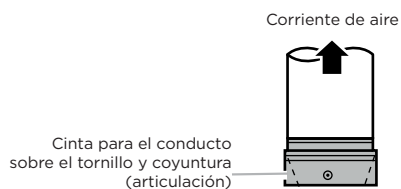


- Señale las ubicaciones de los agujeros inferiores para los tornillos para madera «inferiores» en la pared, utilice un lápiz.
- Quite la campana.
- Atornille con la mano los tornillos “inferiores” para madera. Desatornille los tornillos.
- Monte la campana sobre los tornillos “superiores”.
- Atornille y apriete con la mano los tornillos “superiores” para madera.
- Atornille y apriete con la mano los tornillos “inferiores” para madera.



### Conectar el conducto

- Instale el conducto, haciendo conexiones en la dirección de la corriente de aire así como está ilustrado en el siguiente dibujo.
- Empuje el conducto encima de la salida de escape.
- Selle herméticamente todas las coyunturas (articulaciones) de los conductos y las abrazaderas de conexión con cinta para conductos.
- Realice la misma operación para la salida de aire de pared o de techo.



## Conexión Eléctrica

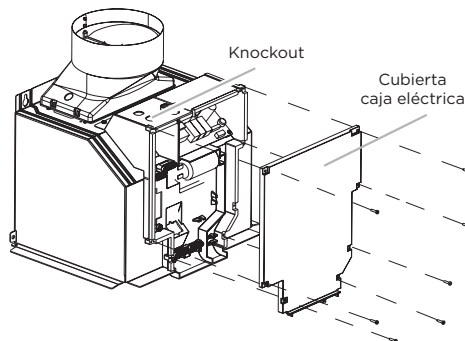
**I ADVERTENCIA**  
PELIGRO DE DESCARGA ELÉCTRICA.

**I ADVERTENCIA**  
ANTES DE REALIZAR EL CABLEADO DE ESTE APARATO, DESACTIVE EL CIRCUITO DE ENERGÍA ELÉCTRICA EN EL PANEL DE SERVICIO.  
SE REQUIERE UN CIRCUITO 120 VAC, 15 Ó 20 A.

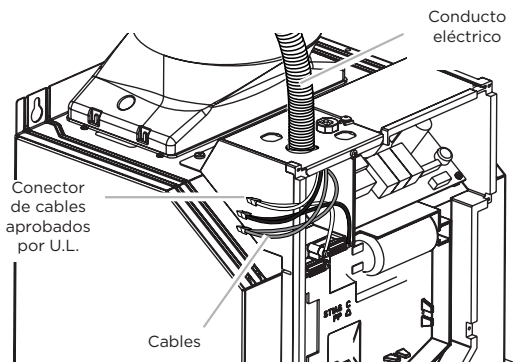
### INSTRUCCIONES DE TOMA ELÉCTRICA

Este aparato dispone de una caja de conexiones eléctricas con 3 cables, uno de los cuales (verde y amarillo) sirve como toma de tierra para el aparato para protegerse de descargas eléctricas, el cable verde y amarillo debe estar conectado al cable de toma a tierra de su sistema doméstico de electricidad y bajo ninguna circunstancia debe cortarse o eliminarse. De lo contrario, podría tener como resultado una descarga eléctrica o la muerte.

Situándose delante de la parte frontal de la campana extractora, retire el pestillo extraíble izquierdo y la tapa de la caja de conexiones e instale el conector de canal de cables (Enumerado en cULUS) en la caja de conexiones.



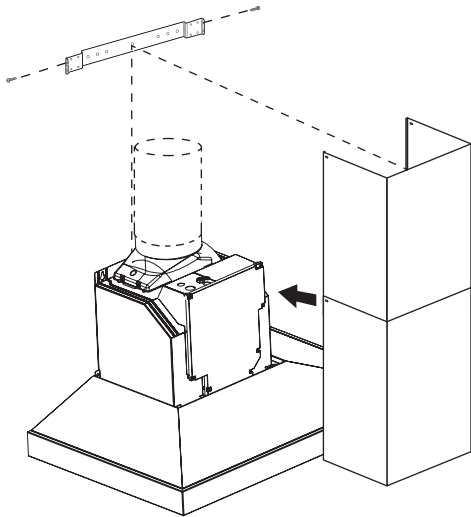
- Si no ha sido ya hecho, instalar el conducto conector de  $\frac{1}{2}$  a la caja de conexiones.
- Use un conector de cables aprobado por UL y conecte los cables negros.
- Use un conector de cables aprobado por UL y conecte los cables blancos.
- Conecte el cable verde (o desnudo) de tierra del suministro eléctrico de la casa a los 2 alambres amarillos - verdes de tierra (F) en la caja de terminales usando conectores de cables aprobados por UL.
- Vuelva a colocar la tapa de la caja eléctrica.



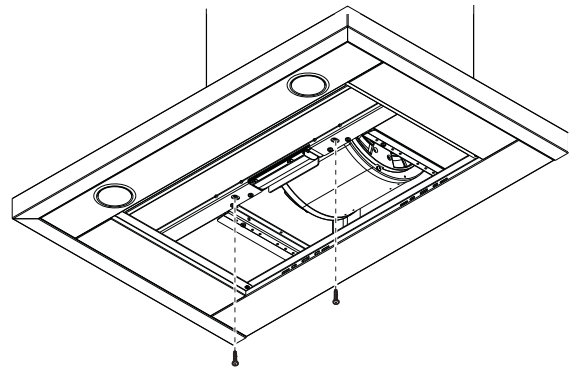
### Montar la cubierta del conducto

**Nota:** La carcasa del ducto con ranuras sin ventilación pueden ser ubicada de manera inversa para tapar ( o destapar) las ranuras.

- Coloque la cubierta del conducto por encima de la campana montada.
- Deslice la parte inferior del conducto en el área de la campana.
- Coloque la parte superior del ducto sobre el soporte. Si se usa una cubierta telescópica del conducto, tome la parte superior de la cubierta telescópica y posicónela en el soporte.
- Sujete la parte superior del conducto con 2 tornillos de montaje proporcionados.



- Sujete la parte inferior del conducto con 2 tornillos de montaje proporcionados.



- Instale el filtro de grasa y restablezca el suministro eléctrico en el panel de servicio. Revise el funcionamiento de la campana.

### Si la campana extractora no funciona:

- Compruebe si el interruptor está desconectado o se han fundido los fusibles.
- Desconecte el suministro eléctrico. Compruebe si el cableado es correcto.

Para conseguir el funcionamiento más eficaz de la nueva campana extractora, lea la sección "Uso y mantenimiento". Para disponer de una referencia sencilla, siga las Instrucciones de instalación y la Guía de uso y mantenimiento.

## Instalación -Versión sin ductos (Recirculante)

### I PRECAUCIÓN

Para instalar la campana en esta versión, primero debe comprar el **Kit Recirculante**.

**Incluye:** Filtro de Carbón y deflector.

- Si es posible, desconecte y deslice la estufa fuera de la apertura de instalación del gabinete de la cocina para permitir un acceso fácil al muro posterior. De lo contrario, coloque una cubierta protectora gruesa sobre la cubierta o la estufa para protegerla de daños o suciedad. Seleccione una superficie plana para montar la unidad. Coloque una cubierta protectora sobre la superficie y coloque en ella todas las piezas de la carcasa de la campana, tornillos y elementos metálicos.
- Determine y marque la línea central en el muro donde se instalará la carcasa de la campana.
- Seleccione una altura de montaje confortable para el usuario y realice una marca en el muro situado detrás de la cocina.
- Coloque la plantilla de manera que coincida con la línea central y la parte inferior de la campana.

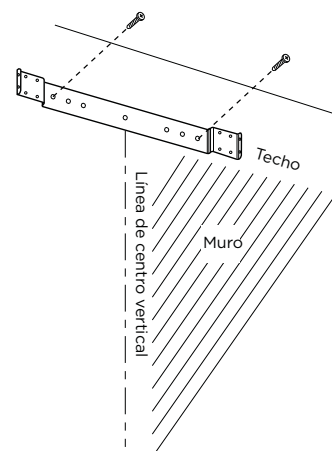
### Montar el soporte de la cubierta del conducto.

El soporte del conducto deberá ser instalado contra la pared posterior a ras con el techo.

Este soporte, sujetará la cubierta del conducto de la parte superior en su lugar.

### Asegure el soporte de pared:

- Alinee la línea de centro marcada en el soporte con la línea de centro de la pared.
- Marque la posición de 2 agujeros en la pared.
- Taladre los agujeros guía con una broca de  $\frac{5}{16}$  en los lugares apropiados. Instale los taquetes a la pared.
- Con la mano inserte los tornillos para madera dentro de los taquetes para permitir que estos se expandan.
- Desatornille los tornillos.
- Sujete el soporte en la pared con tornillos para madera y taquetes.



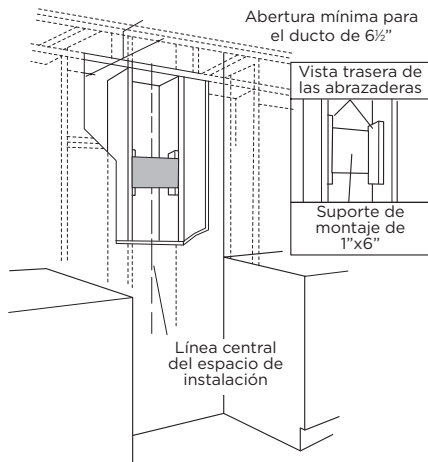
### Ubicación del cableado eléctrico proveniente de la casa

- La caja de conexión se encuentra en la parte superior izquierda de la campana.
- El cableado deberá entrar en la pared por lo menos de 20¼ por encima de la altura inferior de la instalación y entre 7⅞ y 4⅞" del lado izquierdo de la línea de centro.

### Instalación de la estructura de soporte para la campana

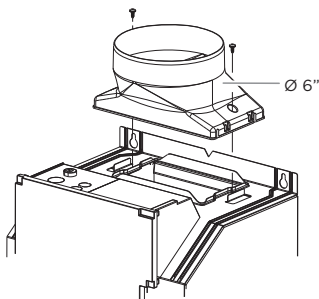
- Si se cuenta con pared falsa (cartón yeso) marque la ubicación de los agujeros para los tornillos. Y retire la plantilla.
- Remueva (corte) lo suficiente de pared para posicionar 2 postes verticales en la ubicación de los agujeros referenciados en el punto anterior con ayuda de la plantilla.
- Instale dos soportes horizontales de por lo menos 4 x 2" entre dos postes de la pared, en donde deberán ir posicionados los agujeros inferiores y superiores.
- El soporte horizontal debe ser nivelado con el lado de la habitación con los postes de la pared.
- Use abrazaderas (bridas) detrás de ambos lados del soporte para sujetarlo hacia la pared.
- Reinstale la pared falsa (cartón yeso), resane y termine.

**IMPORTANTE:** La estructura debe ser capaz de sostener 100 lb.



### Montaje de la campana

Instale la transición redonda de 6" como lo indica la figura inferior. Los tornillos de montaje y la transición redonda de 6" se incluyen en el empaque de la campana.

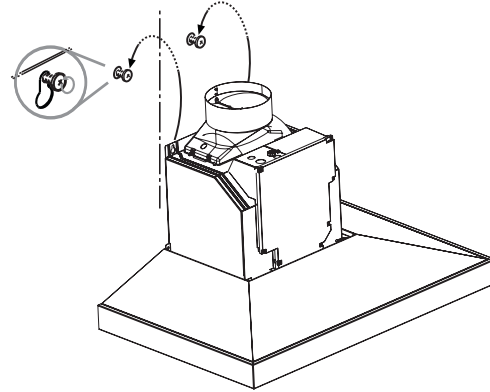


### ADVERTENCIA

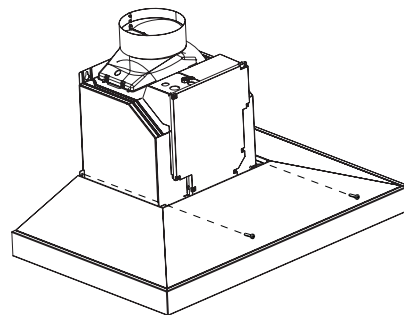
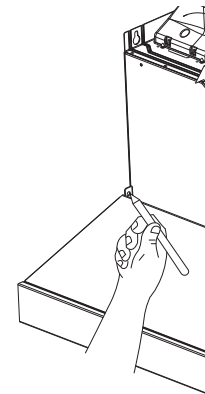
2 PERSONAS SON NECESARIAS PARA LEVANTAR Y POSICIONAR LA CAMPANA EN LOS PERNOS (TORNILLOS) DE MONTAJE.

- Coloque la plantilla sobre la pared a lo largo de la línea horizontal.
- Asegúrese de que la plantilla esté nivelada y centrada con la línea de centro.

- Marque en la pared donde deberán ir los agujeros "superiores".
- **IMPORTANTE.** Controle que dichos agujeros, estén nivelados y centrados correctamente con la línea de centro vertical.
- Posicione y asegure los tornillos para madera "superiores" con la mano. Deje ¼ " de distancia entre la cabeza del tornillo y la pared.
- Quitar los filtros de grasa y monte la campana sobre los tornillos "superiores".

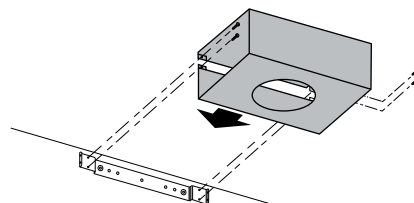


- Señale las ubicaciones de los agujeros inferiores para los tornillos para madera «inferiores» en la pared, utilice un lápiz.
- Quite la campana.
- Atornille con la mano los tornillos "inferiores" para madera. Desatornille los tornillos.
- Monte la campana sobre los tornillos "superiores". Atornille y apriete con la mano los tornillos "superiores" para madera.
- Atornille y apriete con la mano los tornillos "inferiores" para madera.

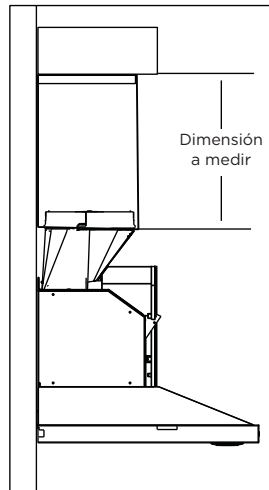


### Instalación deflector

- Monte el deflector de aire con la cubierta del soporte del conducto con 4 tornillos de montaje provistos, así como mostrado.

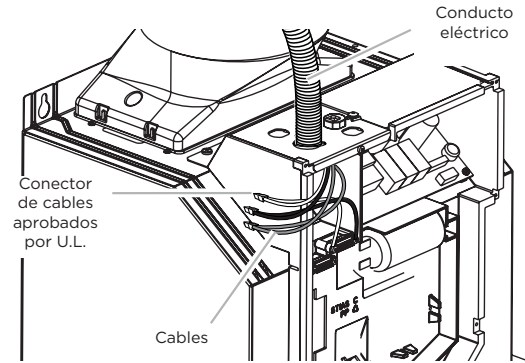


- Mida desde la parte inferior del deflector de aire hasta la parte inferior del escape de la campana, así como se muestra.



- Corte el conducto según el tamaño medido.
- Desinstale el deflector de aire quitando los 4 tornillos.
- Deslice el conducto por la parte inferior del deflector.
- Coloque el deflector de aire y la cubierta del conducto, sobre la salida de escape de la campana.
- Asegure el deflector de aire con la cubierta del conducto con 4 tornillos provistos, así como se muestra en la imagen inferior

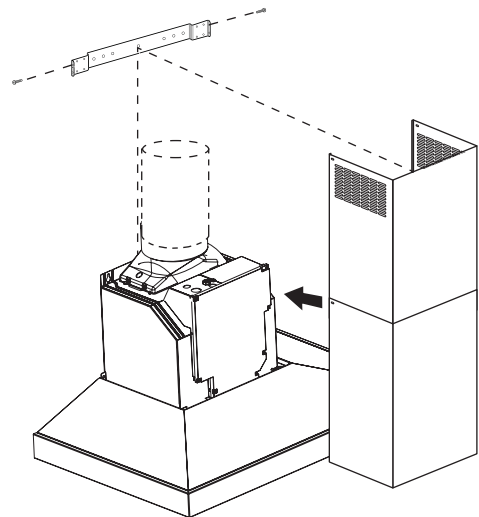
- Si no ha sido ya hecho, instale el conducto conector de ½" a la caja de conexiones.
- Use un conector de cables aprobado por UL y conecte los cables negros.
- Use un conector de cables aprobado por UL y conecte los cables blancos.
- Conecte el cable verde (o desnudo) de tierra del suministro eléctrico de la casa a los 2 alambres amarillos - verdes de tierra (F) en la caja de terminales usando conectores de cables aprobados por UL.
- Vuelva a colocar la tapa de la caja eléctrica.



#### Montar la cubierta del conducto

**Nota: La carcasa del ducto con ranuras sin ventilación pueden ser ubicada de manera inversa para tapar ( o destapar) las ranuras.**

- Coloque la cubierta del conducto por encima de la campana montada.
- Deslice la parte inferior del conducto en el área de la campana.
- Coloque la parte superior del ducto sobre el soporte. Si se usa una cubierta telescópica del conducto, tome la parte superior de la cubierta telescópica y posicónela en el soporte.
- Sujete la parte superior del conducto con 2 tornillos de montaje proporcionados.



## Conexión Eléctrica

### ADVERTENCIA

PELIGRO DE DESCARGA ELÉCTRICA.

### ADVERTENCIA

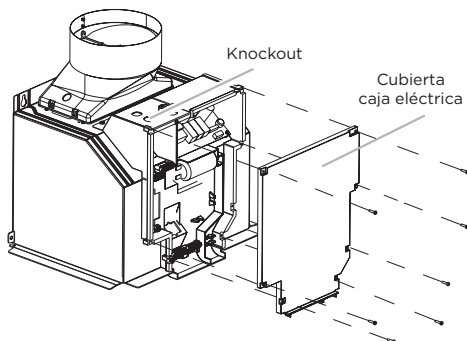
ANTES DE REALIZAR EL CABLEADO DE ESTE APARATO, DESACTIVE EL CIRCUITO DE ENERGÍA ELÉCTRICA EN EL PANEL DE SERVICIO.

SE REQUIERE UN CIRCUITO 120 VAC, 15 Ó 20 A.

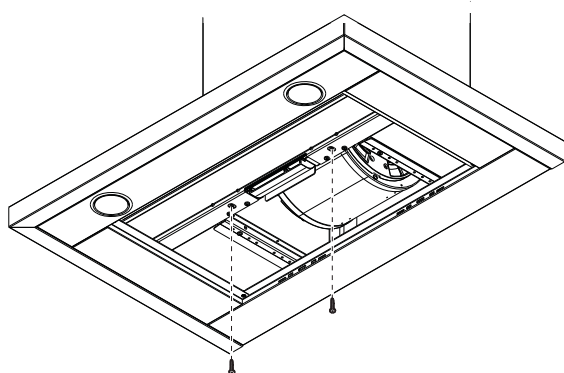
#### INSTRUCCIONES DE TOMA ELÉCTRICA

Este aparato dispone de una caja de conexiones eléctricas con 3 cables, uno de los cuales (verde y amarillo) sirve como toma de tierra para el aparato para protegerse de descargas eléctricas, el cable verde y amarillo debe estar conectado al cable de toma a tierra de su sistema doméstico de electricidad y bajo ninguna circunstancia debe cortarse o eliminarse. De lo contrario, podría tener como resultado una descarga eléctrica o la muerte.

Situándose delante de la parte frontal de la campana extractora, retire el pestillo extraíble izquierdo y la tapa de la caja de conexiones e instale el conector de canal de cables (Enumerado en cULUS) en la caja de conexiones.



- Sujete la parte inferior del conducto con 2 tornillos de montaje proporcionados.



- Instale el filtro de grasa y restablezca el suministro eléctrico en el panel de servicio. Revise el funcionamiento de la campana.

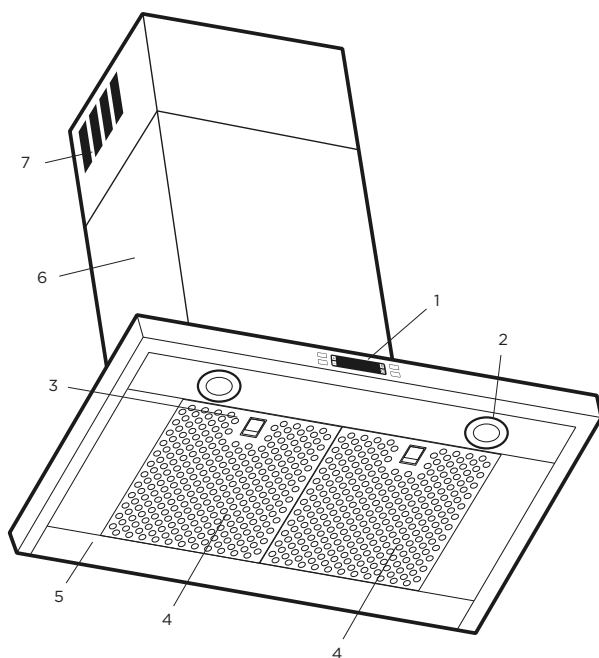
#### Si la campana extractora no funciona:

- Compruebe si el interruptor está desconectado o se han fundido los fusibles.
- Desconecte el suministro eléctrico. Compruebe si el cableado es correcto.

Para conseguir el funcionamiento más eficaz de la nueva campana extractora, lea la sección "Uso y mantenimiento".

Para disponer de una referencia sencilla, siga las Instrucciones de instalación y la Guía de uso y mantenimiento.

## Descripción de la campana



1. Panel de control
2. Lámparas halógenas
3. Manija para liberación filtro de grasa
4. Filtro de grasa
5. Vidrio de la campana
6. Cubierta del conducto
7. Rejilla de la cubierta del conducto superior (sólo para versión recirculante).

## Control

CRS SISTEMA DE REDUCCIÓN DE CFM

Usar la potencia de aspiración mayor en caso de particular concentración de vapores de cocina. Aconsejamos de encender la aspiración 5 minutos antes de iniciar a cocinar y dejarla en función por otros 15 minutos aproximadamente. Nota: La campana retiene la última velocidad utilizada cuando el switch de aspiración se apaga.

#### Descripción del panel de control



#### 1. Tecla Luz

- Pulsar la tecla para encender la luz "alta intensidad" (estado anterior luz OFF).
- Pulsar la tecla para encender la luz "baja intensidad" (estado anterior luz ON).
- Pulsar la tecla para apagar la luz (estado anterior luz ON).

#### 2. Tecla Temporizador

- El tiempo ajustado de default es 10 minutos y puede ser ajustado entre 60 minutos y 1 minuto.
- Después de pulsar la tecla, el sistema entra en la modalidad de ajuste y el usuario puede ajustar el tiempo de la cuenta regresiva del temporizador utilizando las teclas "+" y "-" en un plazo de 5 segundos.
- Si no se lleva a cabo ningún ajuste en estos 5 segundos que siguen a la selección de la función "Timer" o al ajuste del tiempo, inicia la cuenta regresiva.
- Durante el setup del "Timer" las teclas "+" y "-" son dedicadas a la temporización y no varían la velocidad del motor.
- Una vez iniciado el conteo, este puede ser anulado pulsando la tecla "Temporizador".

#### 3. Pantalla

- Muestra el estado de la campana.
- Cuando la campana no es operativa el display será iluminado con baja intensidad. Pulsando cualquier tecla el display se iluminará con una intensidad alta.
- Cuando la campana es operativa el display será iluminado con alta intensidad. Si no se pulsa ninguna tecla por 1 minuto el display se vuelve a iluminar con intensidad baja.

#### 4. "-" Tecla disminución velocidad / OFF

- Esta tecla es utilizada para reducir la velocidad del motor y para apagar la campana.
- El motor se apaga pulsando la tecla "-" si la campana se encuentra en la 1ª velocidad.
- Si el motor se encuentra en la 2ª velocidad y se pulsa la tecla "-", el motor pasa en la 1ª velocidad.
- Si el motor se encuentra en la 3ª velocidad y se pulsa la tecla "-", el motor pasa en la 2ª velocidad.
- Si el motor se encuentra en la 4ª velocidad y se pulsa la tecla "-", el motor pasa en la 3ª velocidad.
- Si el motor está apagado y se pulsa la tecla "-", se ilumina la pantalla.

#### 5. "+" Tecla incremento velocidad / ON

- Esta tecla es utilizada para aumentar la velocidad del motor y para encender la campana.



- El motor se enciende pulsando la tecla “+” si la campana se encuentra en el estado OFF.
- Si el motor se encuentra en la 1º velocidad y se pulsa la tecla “+”, el motor pasa en la 2º velocidad.
- Si el motor se encuentra en la 2º velocidad y se pulsa la tecla “+”, el motor pasa en la 3º velocidad.
- Si el motor se encuentra en la 3º velocidad y se pulsa la tecla “+”, el motor pasa en la 4º velocidad.
- Si el motor se encuentra en la 4º velocidad y se pulsa la tecla “+”, se emite un “beep”.

#### Programación reloj

- El reloj puede ser ajustado en cualquier momento a excepción de cuando está activa la función temporizador.
- El reloj puede ser visualizado en el formato de 12 horas con un tiempo de visualización entre 1:00 y 12:59.
- El reloj puede ser visualizado pulsando la tecla “Timer” por 3 segundos, actuando sucesivamente sobre las teclas “+” y “-” para ajustar la hora.
- El usuario puede aumentar/disminuir la hora con step de 1 minuto, pero si se pulsan las teclas “+”/“-” por 1 segundo el aumento/disminución acontece con step de 5 minutos. Durante dicha operación el control redondea a los 5 minutos más cercanos.
- El usuario puede terminar la fase de ajuste de la hora pulsando la tecla “Timer”.
- Después de 1 minuto que no se pulsa ninguna tecla, el control acepta el valor ajustado y añade 1 minuto al mismo e inicia a contar.

#### Señal saturación de Filtro Grasa (Opcional)

- Después de 40 horas de funcionamiento del motor, en la pantalla aparece la indicación “Grease Filter” si el motor está activo. Cuando aparece esta señal en la pantalla, el filtro instalado necesita ser lavado.
- Para reiniciar la señal de filtro de grasa, el usuario debe pulsar la tecla “+” por 5 segundos, después de esta acción, la señal “Grease Filter” desaparece y la pantalla muestra el estado del funcionamiento.

#### Señal saturación Filtro de Carbón (Opcional)

- Después de 120 horas de funcionamiento del motor, en la pantalla aparece la señal “Charcoal Filter” si el motor está activo. Cuando esta señal aparece en la pantalla el filtro carbón instalado debe ser cambiado o reactivado.
- Para reiniciar la señal de filtro grasas, el usuario debe Pulsar la tecla “-” por 5 segundos, después de esta acción, la señal “Charcoal Filter” desaparece y la pantalla muestra el estado del funcionamiento.

#### Activación/Desactivación señal acústica

- Las señales acústicas pueden ser activadas o desactivadas pulsando la tecla “Luz” por 5 segundos.
- Si la señal acústica está activada, debe ser emitido un sonido y el símbolo “Snd” debe aparecer en la pantalla por 3 segundos.
- Si la señal acústica está desactivada, el símbolo “Snd” debe aparecer en la pantalla por 3 segundos y no es emitido ningún sonido.

#### Activación/Desactivación señal Filtro Carbón

##### (versión Filtrante)

- La activación y la desactivación de la señal saturación filtro carbón puede ser ajustada pulsando simultáneamente por 5 segundos las teclas “-” y “+” .

- La activación o la desactivación debe ser realizada con motor y lámparas OFF.
- Cuando la señal Filtro Carbón está desactivada, se desactiva la alarma.

#### Sensor térmico

- La campana está equipada con un sensor de temperatura que activa el motor en 3º velocidades, si la temperatura de la zona circundante es demasiado elevada (superior a 149° F o 65° C).
- Si el motor está en OFF o en 1º velocidad, e interviene la alarma, el motor se coloca automáticamente en la 3º velocidad y en la pantalla aparecerá la señal “CarE”.
- Durante este estado, el usuario puede aumentar solamente la velocidad del motor.
- Cuando la temperatura regresa bajo el límite de alarma, el motor regresa en la condición anterior a la alarma.

#### ANTES DE USAR SU CAMPANA

Algunas regiones y provincias de EU y Canadá restringen el poder de agotamiento de las campanas extractoras para su rendimiento por debajo de ciertos valores. Estos valores están presentes en el código local de su área.

Cheque su código local para saber si necesita restringir el poder de su campana.

Si su código local restringe los valores de rendimiento de las campanas de cocina, por favor ejecute la siguiente secuencia de botones.

#### Rendimiento bajo



- Presione el botón TIMER (1), LUCES (2) y - (3) los botones juntos durante 5 segundos.

- Resultado:

El indicador “LO” aparecerá.

La 3er y 4ta velocidad serán desplegadas.



Certified  
Residential  
Specialist

# Mantenimiento

## ¡ATENCIÓN!

Antes de cualquier operación de limpieza o mantenimiento, retire la campana de la red eléctrica desconectando el enchufe o desconectando el interruptor general de la casa.

## Limpieza

No aplique limpiadores directamente al control durante la limpieza de la campana.

La campana debe ser limpiada con frecuencia tanto externamente como internamente (con la misma frecuencia con la que se realiza el mantenimiento de los filtros de grasa). Para la limpieza, utilice un paño impregnado de detergente líquido neutro. No utilice productos que contengan abrasivos. ¡NO UTILICE ALCOHOL!

## ¡ATENCIÓN

De no observarse las instrucciones dadas para limpiar el aparato y sustituir el filtro, puede producirse un incendio. El fabricante recomienda leerlas y respetarlas atentamente.

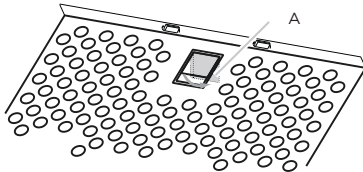
El fabricante no se hace responsable por los daños al motor o los incendios provocados en el aparato debido a intervenciones de mantenimiento incorrectas o al incumplimiento de las normas de seguridad proporcionadas.

## Filtro contra la Grasa

Retiene las partículas de grasa producidas cuando se cocina. Debe limpiarse una vez al mes con detergentes no agresivos, manualmente o bien en lavavajillas a bajas temperaturas y con ciclo breve.

Con el lavado en el lavavajilla el filtro antigrasa metálico puede desteñirse pero sus características de filtrado no cambian absolutamente.

Para desmontar el filtro antigrasa, tirar de la manija de desenganche de muelle.



A. Manija de desenganche

## Sustitución de la bombilla

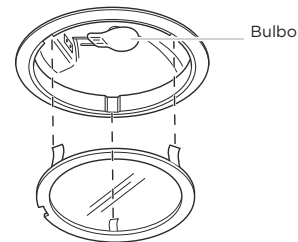
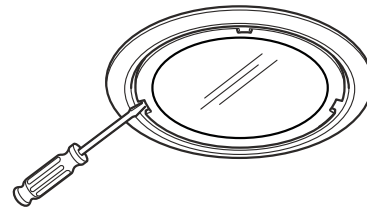
### PRECAUCIÓN

Antes de reemplazar las lámparas, el interruptor debe estar apagado y bloquear el panel, para evitar que se pueda encender accidentalmente.

**NOTA:** Apagar las luces y el ventilador. Las luces deben enfriarse antes de volver a usarlas. Si las nuevas luces no funcionan, asegurarse que las luces estén insertadas correctamente antes de llamar el servicio de asistencia al cliente.

### Reemplazar las Luces

- Quite la tapa interna de la lámpara introduciendo un pequeño destornillador de punta plana en cada una de las tres ranuras y haga palanca delicadamente para soltarlas.  
**NOTA:** no quite la virola exterior (conjunto de la lámpara). Sujete la bombilla y extráigala derecha.
- Reemplace con bombillas halógenas de 120 voltios, 40 vatios con una base de G9, CONVENIENTE PARA SU USO EN ILUMINACIÓN AL ABIERTO.
- Siga las instrucciones del paquete, use guantes, no toque con sus dedos desnudos.
- Instale nuevamente la tapa interna introduciendo las tres pestañas de retención en las tres ranuras, presionándolas firmemente en su lugar.



### Filtros de carbón

Si el modelo no tiene una salida hacia el exterior, el aire, recirculará a través de los filtros de carbón vegetal disponibles, que ayudan a quitar humos y olores. Los filtros de carbón se sujetan al marco de la cubierta del motor.

NOTA: Los filtros de carbón vegetal no son incluidos con la campana.

Deben ser pedidos al proveedor.

Pedir el equipo necesario específico para el modelo de la campana y respetar el tamaño de la anchura.

### Limpieza/reemplazo del filtro de Carbón

A diferencia de otros filtros, el filtro de carbón de LARGA DURACIÓN puede ser limpiado y reactivado.

Con un uso normal, el filtro debe ser limpiado cada segundo mes (al usar la campana en un promedio de 2.5 horas diarias).

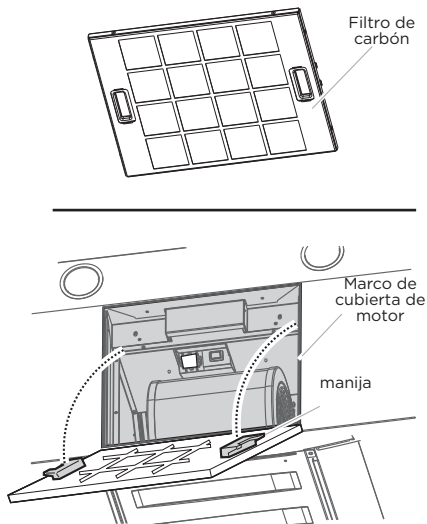
La mejor forma de limpiar el filtro es en el lavavajillas. Use detergente normal y seleccione la temperatura más alta

**(65°C o 149° F).**

Lave el filtro independientemente para evitar que rastros de comida se atoren en el filtro y de esa forma no se generen malos olores posteriormente.

Para reactivar el carbón, se debe secar el filtro en un horno durante 10 minutos a una temperatura máxima de **100° C o 212° F.**

Después de aproximadamente 1 año de uso, el filtro de carbón deberá reemplazarse por uno nuevo, ya que la capacidad de reducción de olores ya será muy baja.



# ELICA North America

## GARANTÍA LIMITADA DE DOS AÑOS

### PARA OBTENER SERVICIO DENTRO DE GARANTÍA

El propietario debe presentar su recibo original de la compra. Guarde por favor una copia de su recibo de compra como prueba, para recibir el servicio dentro del periodo de garantía.

### PARTES Y GARANTÍA DE SERVICIO

Por el periodo de dos (2) años desde la fecha original de la compra, Elica proveerá, gratuitamente, partes no-consumibles o componentes que hayan fallado debido a defectos de fabricación. Durante estos dos (2) años de garantía limitada, Elica también proveerá gratuitamente, todo el servicio en casa y mano de obra necesaria para reemplazar cualquier parte defectuosa.

### QUÉ NO ESTÁ CUBIERTO

- Daños o fallas del producto causados por accidente o actos de Dios, tales como inundaciones incendios o terremotos.
- Daños o fallas causadas por alteración del producto o por el uso de partes no-originales.
- Daños o fallas del producto causados durante la entrega, manejo o instalación.
- Daños o fallas del producto causados por abuso del usuario.
- Daños o fallas del producto causados por reemplazo de fusibles dañados o reseteo de interruptor de circuito.
- Daño o fallas causados por el uso del producto en un ambiente comercial (no domestico).
- Service trips to dwelling to provide use or installation guidance.
- Bombillas, filtros de carbón o metal y cualquier otra parte consumible.
- Desgaste normal.
- Desgaste terminal debido a abusos del usuario, mantenimiento inadecuado, uso de productos / toallas de limpieza corrosivos o abrasivos y por uso de limpiadores para hornos.

### QUIÉN ESTÁ CUBIERTO

Esta garantía se extiende al comprador original de productos adquiridos para uso residencial en Norte America (incluyendo Estados Unidos, Guam, Puerto Rico, Islas Vírgenes de USA y Canadá).

Esta garantía no es transferible y aplica solamente al comprador original y no se extiende a propietarios subsecuentes del producto. Esta garantía se expresa en lugar de otras garantías, expresadas o implicadas, incluyendo, pero no limitada a ninguna garantía implicada de comercialización o adaptada para propósitos particulares y cualquier otra obligación por parte de Elica North America, considerando, sin embargo, que si la negación de garantías implícitas es inefectiva bajo la ley aplicable, la duración de cualquier garantía implícita será limitada a dos (2) años desde la fecha original de compra o por el periodo necesario como sea requerido por la ley aplicable.

Esta garantía no cubre cualquier daño especial, incidental y/o consecuente, ni pérdidas de ganancias, sufridas por el comprador original, sus clientes y/o usuarios del producto.

### A QUIÉN CONTACTAR

Para obtener servicio bajo la garantía o por cualquier servicio relacionado a dudas o preguntas, por favor visite la sección de soporte en la página web que se muestra a continuación:

[www.elica.com](http://www.elica.com)

Tenga su comprobante de compra con la fecha, lista para cuestiones de garantía.