

# **F I S H E R & P A Y K E L**

## **DOUBLE DISHDRAWER™ DISHWASHER**


---


DD24DI, DD24DTI & DD24DHTI models

**INSTALLATION GUIDE**

**US CA**

**591386 A 08.17**

<b>⚠ WARNING!</b>	
	<p><b>Electrical Shock Hazard</b> Before installing the dishwasher, remove the house fuse or open the circuit breaker. If permanently connecting the dishwasher, be sure the power is isolated and the dishwasher unplugged.</p>
	<p><b>GROUNDING INSTRUCTIONS</b> This appliance must be grounded. In the event of a malfunction or breakdown, grounding will reduce the risk of electric shock by providing a path of least resistance for electric current. This appliance is equipped with a cord having an equipment-grounding conductor and a grounding plug. The plug must be plugged into an appropriate outlet that is installed and grounded in accordance with all local codes and ordinances. <b>WARNING - Improper connection of the equipment-grounding conductor can result in a risk of electric shock. Check with a qualified electrician or service representative if you are in doubt as to whether the appliance is properly grounded.</b></p>
	<p>If the dishwasher is installed as a permanently connected appliance: <b>GROUNDING INSTRUCTIONS - This appliance must be connected to a grounded metal, permanent wiring system, or an equipment-grounding conductor must be run with the circuit conductors and connected to the equipment-grounding terminal or lead on the appliance.</b> Do not modify the power supply plug provided with the appliance - if it will not fit the outlet, have a proper outlet installed by a qualified electrician. Do not use an extension cord, adapter plug or multiple outlet box. Failure to follow this advice may result in electrical shock or death.</p>

<b>⚠ WARNING!</b>	
<p>Fitting integrated front panels requires access to electrical service areas. This work must be performed and certified by a qualified electrical service technician.</p>	
	<p><b>Electrical Shock Hazard</b> <b>WARNING:</b> To reduce the risk of electrical shock, fire, or injury to persons, the installer must ensure that the dishwasher is completely enclosed at the time of installation.</p>
	<p>Before fitting the front panels and connecting the 'knock to pause' module (if necessary), the installer must ensure that the dishwasher is disconnected from the power supply. After installing the front panels, the installer must ensure that the following components are electrically grounded: the panel bracket and any custom metal component (e.g. handle) that extends past the rubber seal. Failure to follow these warnings may result in electrical shock, injury or fire.</p>

<b>⚠ WARNING!</b>	
	<p><b>Cut Hazard</b> Take care - panel edges are sharp. Failure to use caution could result in injury or cuts.</p>

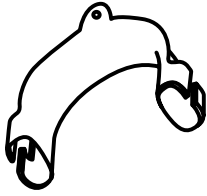
## IMPORTANT SAFETY INSTRUCTIONS

- Installation of this dishwasher requires basic mechanical and electrical skills.
- Be sure to leave these Instructions with the Customer.
- Installation must comply with your local building, electricity, and plumbing regulations.
- At the completion of the dishwasher installation, the Installer must perform the Final Checklist.
- Remove all packaging materials supplied with the dishwasher.
- This dishwasher is manufactured for indoor use only.
- Ensure all water connections are turned OFF. It is the responsibility of the plumber and electrician to ensure that each installation complies with all Codes and Regulations.
- The dishwasher **MUST** be installed to allow for future removal from the enclosure if service is required.
- The switched power outlet must be outside the dishwasher cavity, so that it is accessible after installation.
- Care should be taken when the appliance is installed or removed to reduce the likelihood of damage to the power supply cord and hoses.
- If the dishwasher is to be relocated from one installation to another it must be kept upright to avoid damage from water spillage.
- Make sure only new hoses are used for connection (supplied with the dishwasher). Old hoses should not be reused.
- Failure to install the dishwasher correctly could invalidate any warranty or liability claims.
- If the product is installed in a motor vehicle, boat or similar mobile facility, you must bring the vehicle, boat or mobile facility containing the product to the service shop at your expense or pay the service technician's travel to the location of the product.
- This dishdrawer is intended for connection to the hot-water supply.
- Failure to install the dishwasher correctly could invalidate any warranty or liability claims.
- Ensure the product is not plugged in when fitting custom panels.
- Installation of custom panels requires basic mechanical and electrical skills.
- Installation must comply with your local building and electricity regulations.
- Failure to install the custom panels correctly could invalidate any warranty or liability claims.

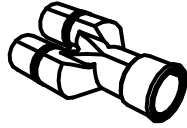
### IMPORTANT! SAVE THESE INSTRUCTIONS

The models shown in this installation guide may not be available in all markets and are subject to change at any time. For current details about model and specification availability in your country, please go to our website [www.fisherpaykel.com](http://www.fisherpaykel.com) or contact your local Fisher & Paykel dealer.

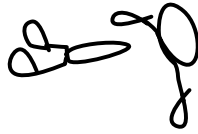
② PARTS SUPPLIED



Drain hose support (1)



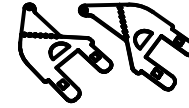
Drain hose joiner (1)



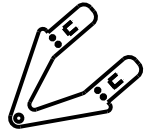
Wire clip (2)  
(for securing Drain hose joiner)



Clamp (1)  
(for securing Drain hose joiner)



Side mounting bracket kit (A and B) (2)  
OPTIONAL



Top mounting brackets (2)  
OPTIONAL



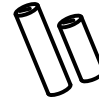
Phillips 5/8" (16mm) screws (9)



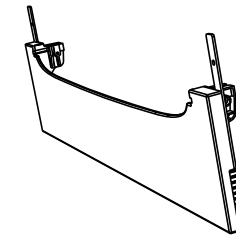
Rubber washer for inlet hose (1)  
(comes already fitted)



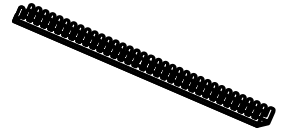
Moisture protection tape (1)  
(to prevent moisture damage to cabinetry)



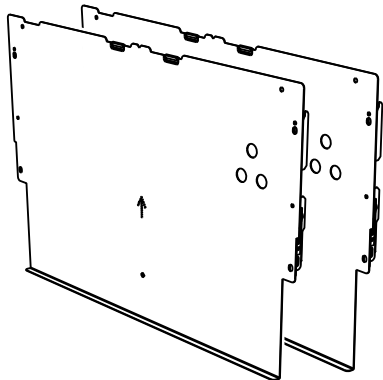
Hexagonal socket for feet adjustment (2)  
(long & short)



Prefinished toekick (1)



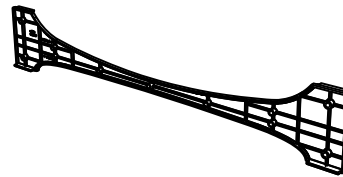
Edge Protector (1)  
(If the services hole is through a metal partition, the hole must be protected with the Edge Protector supplied to prevent damage to the power cord or hoses.)



Panel bracket (2) & Knock-to-Pause Module (2)  
(shipped fixed to product)

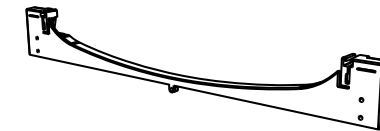


Panel mounting screws (12)



Toekick mounting bracket cutting template (1)

(To enable a custom toekick panel to be cut to fit the product profile dependant on the depth of the toekick )



Toekick mounting bracket (1)

(A custom toekick panel of any material with thickness 3/8" - 3/4" (9 - 19mm) can be screwed to the Toekick mounting bracket)

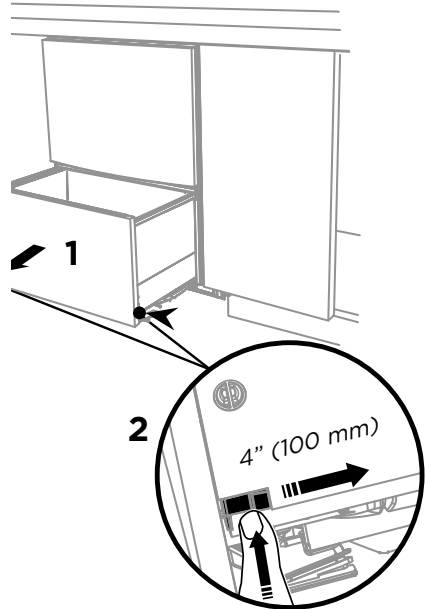


Toekick mounting screws (5)

If the Drain hoses supplied are not long enough to reach your services, you must use a Drain Hose Extension Kit P/N 525798 which will extend the drain hoses by 11' 10" (3.6m). The kit is available from the nearest Fisher & Paykel Authorized Service Center, or Toll free 1.888.936.7872 or [www.fisherpaykel.com](http://www.fisherpaykel.com)

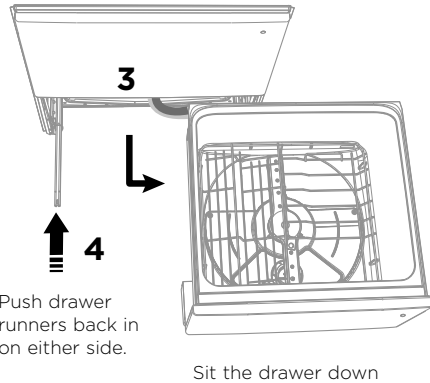
### 3 OPTIONALLY HARD WIRING PRIOR TO INSTALLATION

#### 3-A REMOVE THE LOWER DRAWER



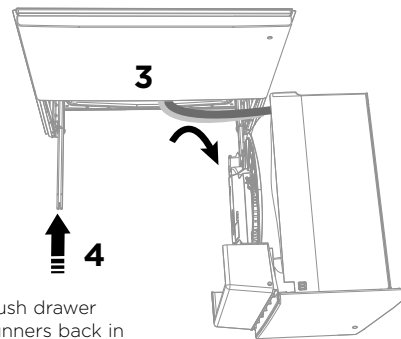
Press the release tabs in on either side and push back to release drawer from runners. Lift drawer off runners.

**To prevent kinked hoses**  
Either sit the drawer down on the left hand side (recommended) or rotate the drawer clockwise, resting it on its side after removal.



Push drawer runners back in on either side.

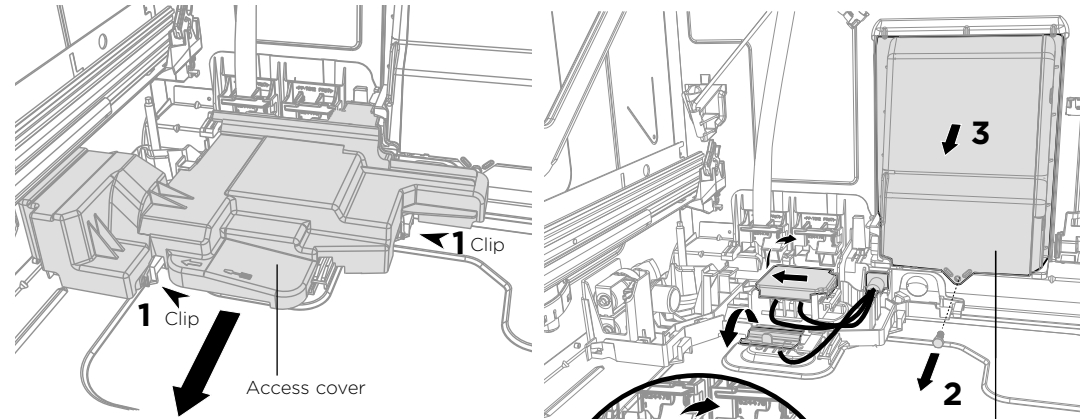
Sit the drawer down



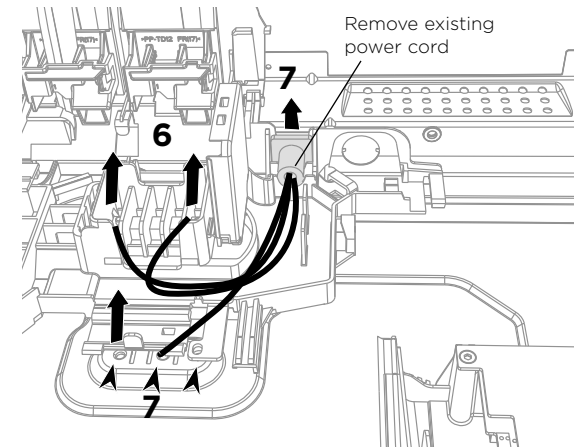
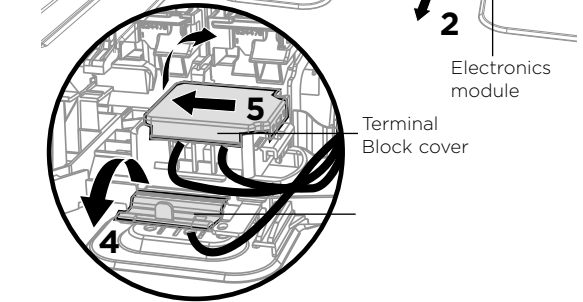
Push drawer runners back in on either side.

Rotate the drawer clockwise (max. 90°) and rest on side.

#### 3-B REMOVE THE ACCESS COVER & REMOVE POWER

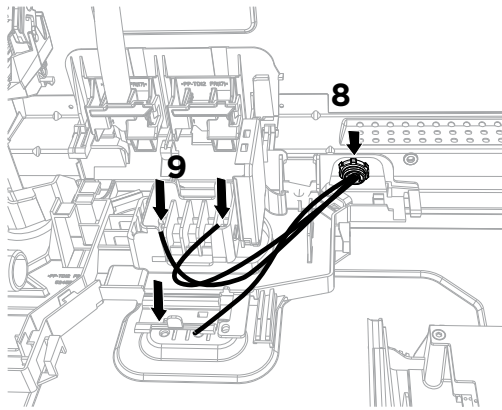


- 1 With a flat-bladed screwdriver, push in the clips and slide out the access cover.
- 2 Unscrew the electronics module cover.
- 3 Carefully pull out the electronics module and rest on the chassis base out of the way.
- 4 With a screwdriver, unclip the plastic harness cover and hinge open.
- 5 Slide the terminal block cover sideways to unlock and hinge open to access the terminal block.
- 6 Unscrew the Live, Neutral and Earth wires as shown.
- 7 Unscrew the three screws on the base as shown and remove the cord from the product.

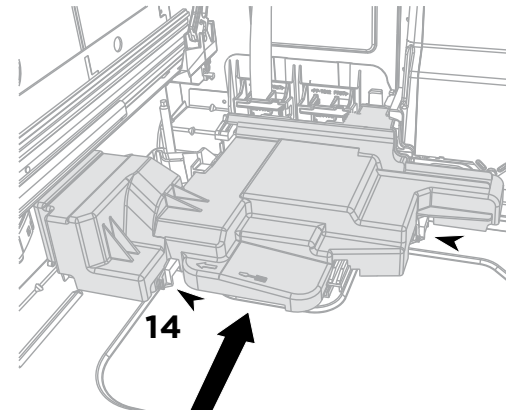
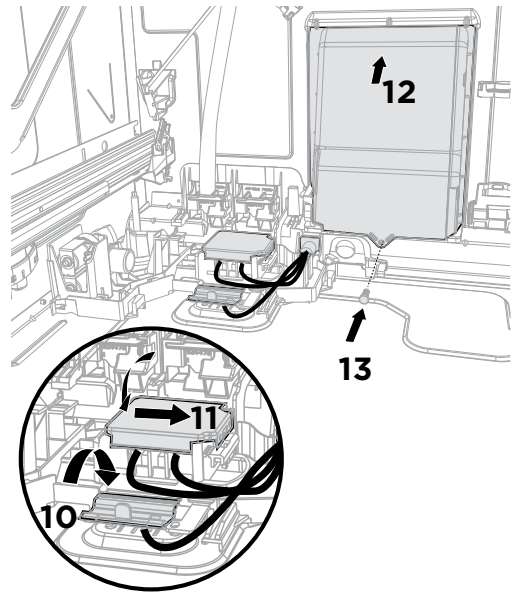


### ③ OPTIONALLY HARD WIRING PRIOR TO INSTALLATION

#### ③-C TERMINATE MAINS WIRING AS SHOWN AND REPLACE MODULE AND COVERS

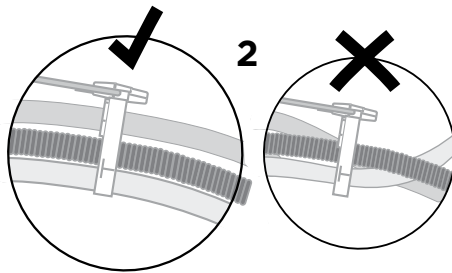


**IMPORTANT!**  
Ensure the mains wires are routed **UNDERNEATH** all other harness wiring from the electronics module.

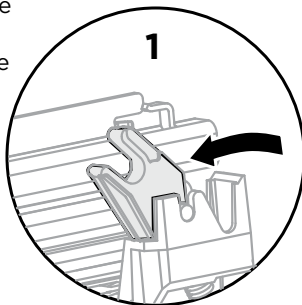


- 8 Fit a suitable cable clamp for the conduit through the metal knockout. Ensure wiring is routed through or under under housing ribs.
- 9 Screw down the Live, Neutral and Earth wires correctly.
- 10 Push the plastic harness cover back over. It should clip back into place
- 11 Fold down and slide back the terminal block cover.
- 12 Refit the electronics module back into position, being careful of wiring.
- 13 Replace the screw securing the electronics module.
- 14 Slide the access cover back, ensuring the 2 clips shown are fully locked in place.  
NOTE: Use copper conductors only.

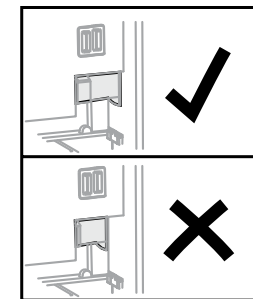
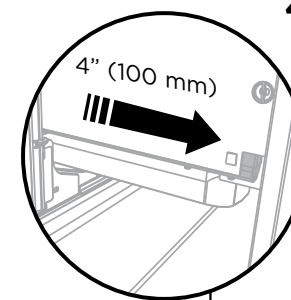
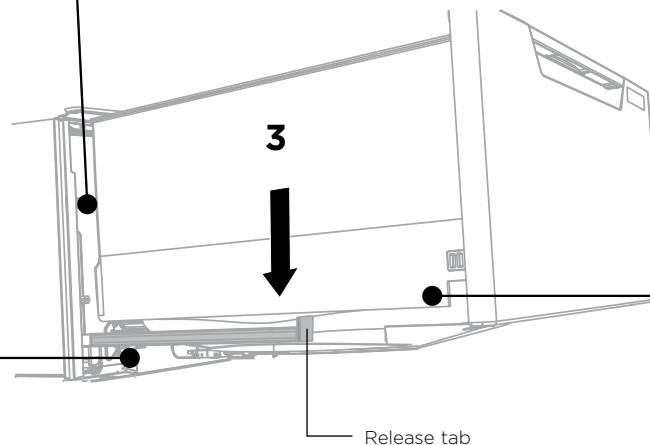
#### ③-D REFIT THE DRAWER ONTO THE RUNNERS & CLOSE



Before refitting the drawer, ensure the hoses are not twisted and the latches at the rear of each drawer runner are facing forward.

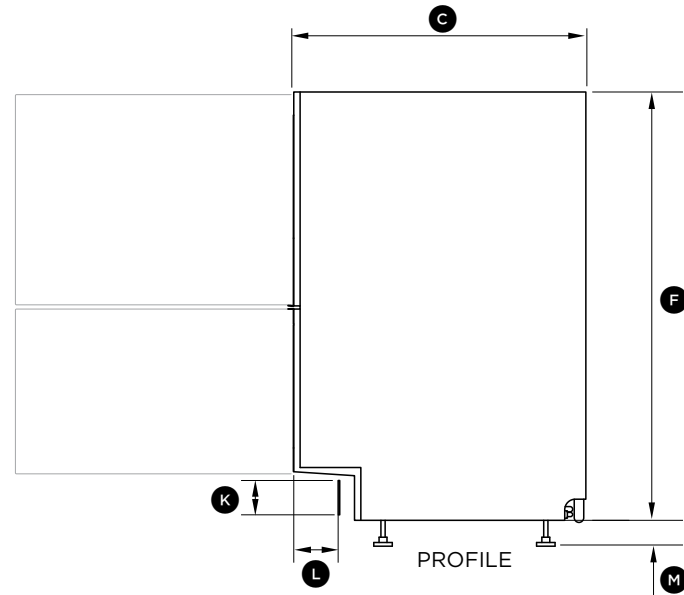
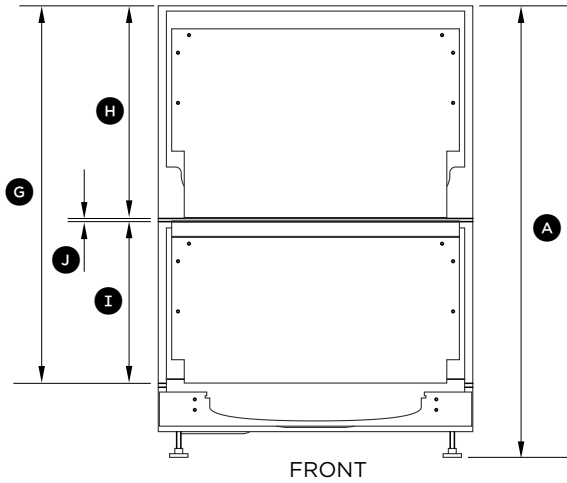


Lift or rotate counter-clockwise the drawer back onto the drawer runners on either side.



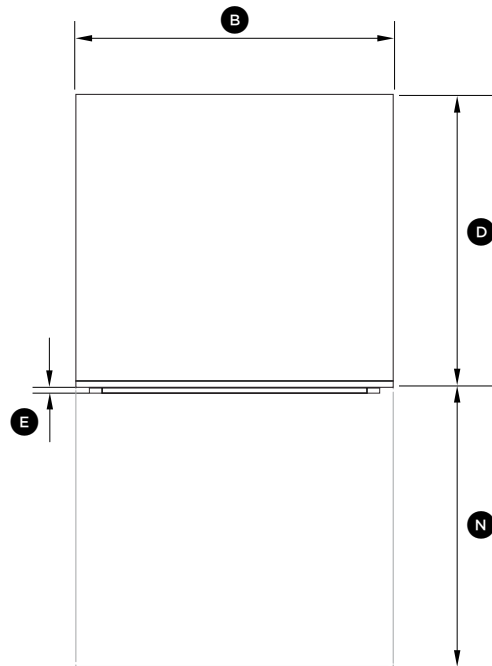
Pull the release tabs forward on both sides 4" (100 mm). Ensure the tabs are fully pulled forward and click into place.

## ④ PRODUCT DIMENSIONS



STANDARD  
HEIGHT  
MODELS

TALL  
HEIGHT  
MODELS



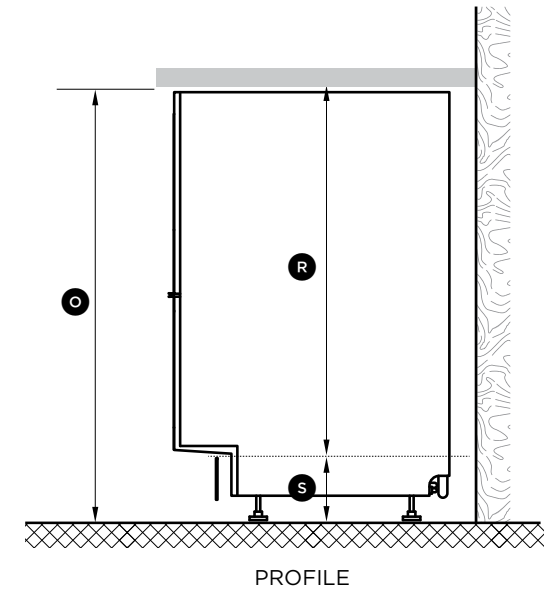
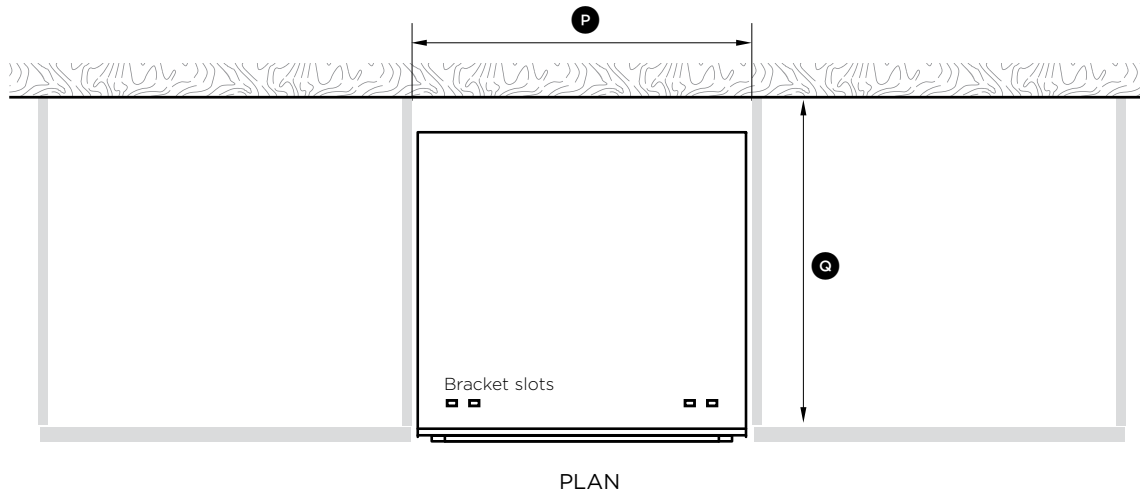
PRODUCT DIMENSIONS	DD24DI INCHES (MM)	DD24DTI DD24DHTI INCHES (MM)
Ⓐ Overall height of product <sup>1,2</sup>	32 5/16 - 34 5/8" (820-880)	34 - 36 3/8" (864-924)
Ⓑ Overall width of product	23 9/16" (599)	23 9/16" (599)
Ⓒ Overall depth of product <sup>3</sup>	22 1/2" (571)	22 1/2" (571)
Ⓓ Depth of chassis (to back of front drawer panel)	21 3/4" (553)	21 3/4" (553)
Ⓔ Depth of drawer front panel	5/8" - 13/16" (16-20)	13/16" (20)
Ⓕ Height of chassis <sup>1</sup>	31 15/16" (811)	33 11/16" (855)
Ⓖ Height of drawer front panels	min. 28 1/4" (717)	29 15/16" (761)
Ⓗ Height of upper drawer front panel	min 15 11/16" (398)	min. 17 3/8" (442)
Ⓘ Height of lower drawer front panel	12 1/4" - 14 3/16" (311-360)	12 1/4" - 14 3/16" (311-360)
Ⓝ Ventilation gap between drawer front panels	5/16" (8)	5/16" (8)
Ⓚ Height of toe-kick (customisable)	2 1/4" - 4 5/8" (58-118)	2 1/4" - 4 5/8" (58-118)
Ⓛ Depth from front of drawer panel to front of toe-kick (adjustable) <sup>4,5</sup>	1 9/16" - 3 15/16" (40-100)	1 9/16" - 3 15/16" (40-100)
Ⓜ Height of leveling feet (adjustable) <sup>2</sup>	3/8 - 2 11/16" (9-69)	3/8 - 2 11/16" (9-69)
Ⓝ Maximum extension of drawer <sup>3</sup>	21 7/16" (545)	21 7/16" (545)

<sup>1</sup> includes 1/16" (2mm) high bracket slots    <sup>2</sup> depending on adjustment of leveling feet    <sup>3</sup> assuming front panel thickness of 11/16" (18mm)

<sup>4</sup> adjustable to match toe-kick recess on adjoining cabinetry

<sup>5</sup> assuming custom toe-kick panel thickness of 11/16" (18mm); if recess is between 1 15/16"-3 5/16" (50-84mm) deep, the panel will need to be cut out - see step 'Custom panel calculations'

## 5 CABINETY DIMENSIONS



STANDARD  
HEIGHT  
MODELS

TALL  
HEIGHT  
MODELS

**DD24DI**

**DD24DTI  
DD24DHTI**

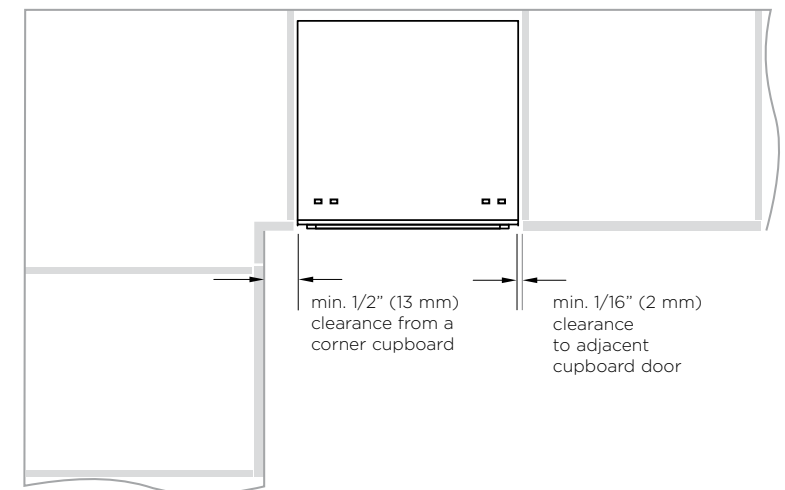
**INCHES (MM)**

**INCHES (MM)**

CABINETY DIMENSIONS	DD24DI INCHES (MM)	DD24DTI DD24DHTI INCHES (MM)
Ⓞ Inside height of cavity*	min. 32 5/16" (820)	min. 34" (864)
Ⓟ Inside width of cavity	23 5/8" (600)	23 5/8" (600)
Ⓠ Inside depth of cavity	min. 22 1/16" (560)	min. 22 1/16" (560)
Ⓡ Recommended height of adjacent cabinet space	30" (762)	30" (762)
Ⓢ Height of toekick space*	2 3/8 - 4 3/4" (60-120)	3 15/16" - 6 5/16" (100-160)

\* depending on adjustment of leveling feet

### Minimum clearances from adjacent cabinetry



## ⑥ CUSTOM DRAWER PANEL SPECIFICATIONS

### FRONT PANEL MATERIAL SPECIFICATIONS

- 5/8 - 13/16" (16 - 20mm) panel thickness.
- Adequately sealed to withstand moisture (122°F/50°C @ 80% RH)  
Because of it being a hot and wet environment generally, the back and sides of the panel should be completely sealed with a waterproof vapor barrier (ie polyurethane) to prevent damage to the panel.
- The back of the panel (including any integrated handle) should be completely flush so that the seal between the panel and the rubber trim is maintained.
- Installation outside these specs may result in condensation on cabinetry surfaces.
- Maximum weight of each panel: 20lb (9kg)

The following calculations assume the top of the upper panel is aligned with the top of the adjacent cabinetry.  
The final panel/cabinetry alignment is achieved by adjusting the feet:

### WIDTH OF ALL PANELS

Measure **A** (the width between adjacent door/drawer fronts) and write it in the first box below, then complete the equation.

Clearance to adjacent cabinet front

**A**
-
**2x**=

(min. 1/16" (2mm)) (23 7/16"-24 3/16" (596-615mm))

**WIDTH OF PANEL**

### HEIGHT OF THE UPPER PANEL

Minimum height

*DD24DI models:*  
**15 11/16" (398mm)**

*DD24DTI/DD24DHTI models:*  
**17 3/8" (442mm)**

+

=

Upper Panel extension **B**  
(0"/0mm recommended)

**HEIGHT OF UPPER PANEL**

Note: The 'upper panel extension' **B** allows for the top of the upper panel to extend above the chassis where required, however a min. 1/16" (2mm) gap to the countertop must be maintained.

### HEIGHT OF THE LOWER PANEL

Measure **C** (door/drawer height (or equivalent)) and write it in the first box below, then complete the equation.

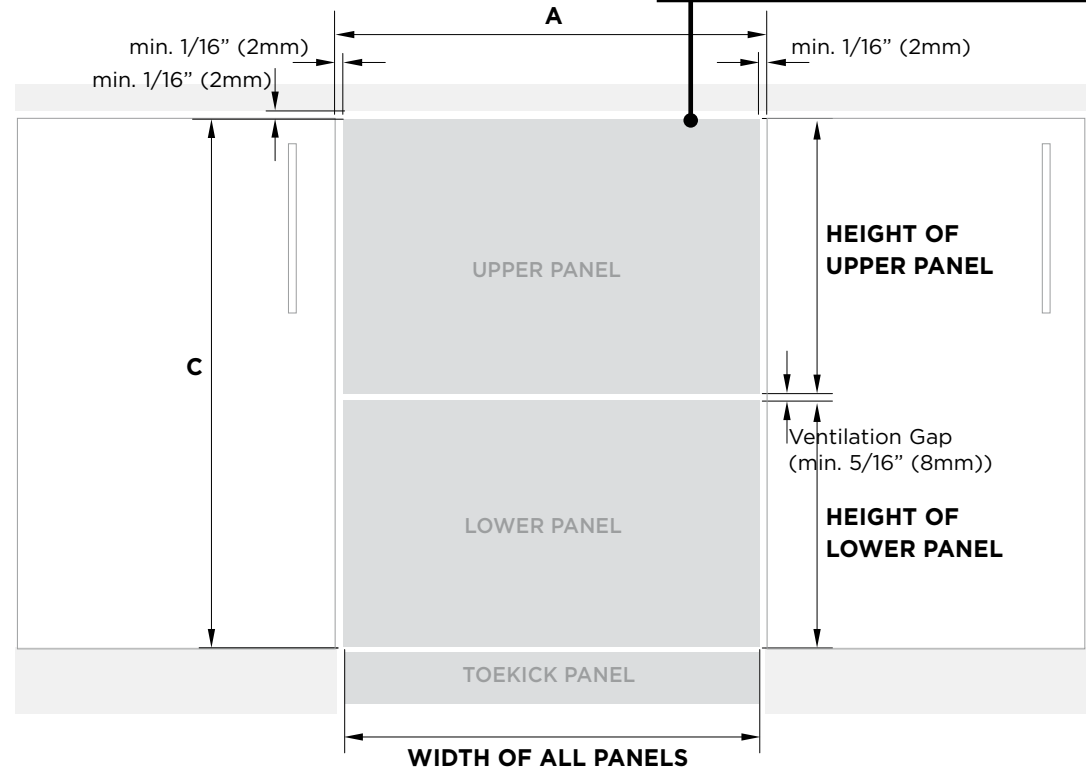
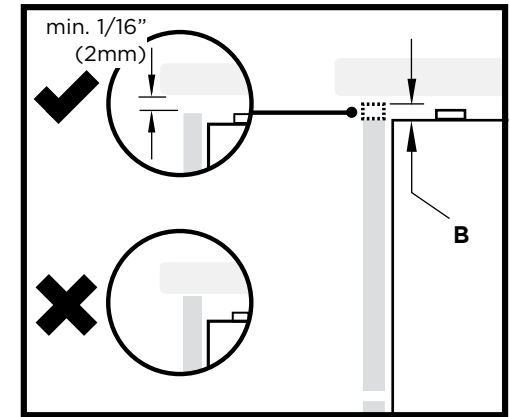
**C**
--=

Height of Upper Panel    Ventilation Gap

(min 28 1/4" (717mm) + **B**)    (min. 5/16" (8mm))    (min. 12 1/4" (311mm))

**HEIGHT OF LOWER PANEL**

Note: The 'upper panel extension' **B** allows for the top of the upper panel to extend above the chassis where required, however a min. 1/16" (2mm) gap to the countertop must be maintained.





# 7 CUSTOM TOEKICK PANEL SPECIFICATIONS

## TOEKICK PANEL MATERIAL SPECIFICATIONS

- min. 3/8" (9mm) panel thickness if using supplied screws
- Adequately sealed to withstand moisture (122°F/50°C @ 80% RH)
- You may choose to affix your custom toekick panel either by screwing it or gluing it to the supplied mounting bracket.

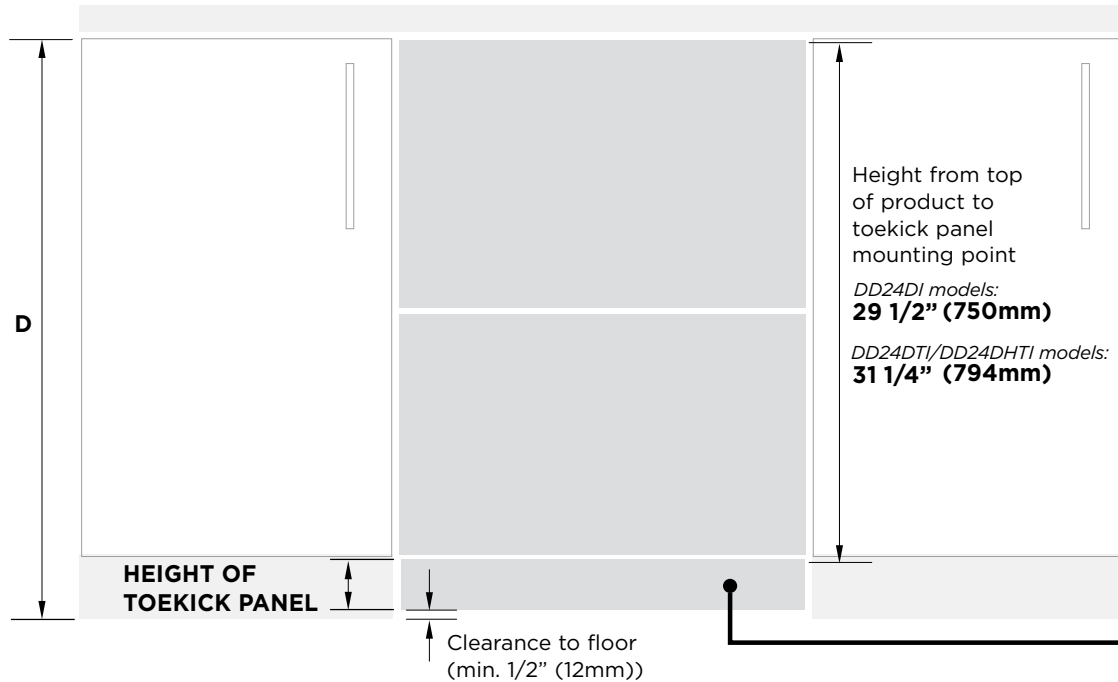
## HEIGHT OF THE TOEKICK PANEL

Measure **D** (height from the top of adjacent cabinet door fronts to the floor) and write it in the first box below, then complete the equation.

**D** - **B** - height from top of product to toekick panel mounting point - Clearance to floor = **HEIGHT OF TOEKICK PANEL**

*DD24DI models:* **29 1/2" (750mm)**  
*DD24DTI/DD24DHTI models:* **31 1/4" (794mm)**

(0"/0mm recommended)  
 (min. 1/2" (12mm))  
 (min. 2 1/4" (58))

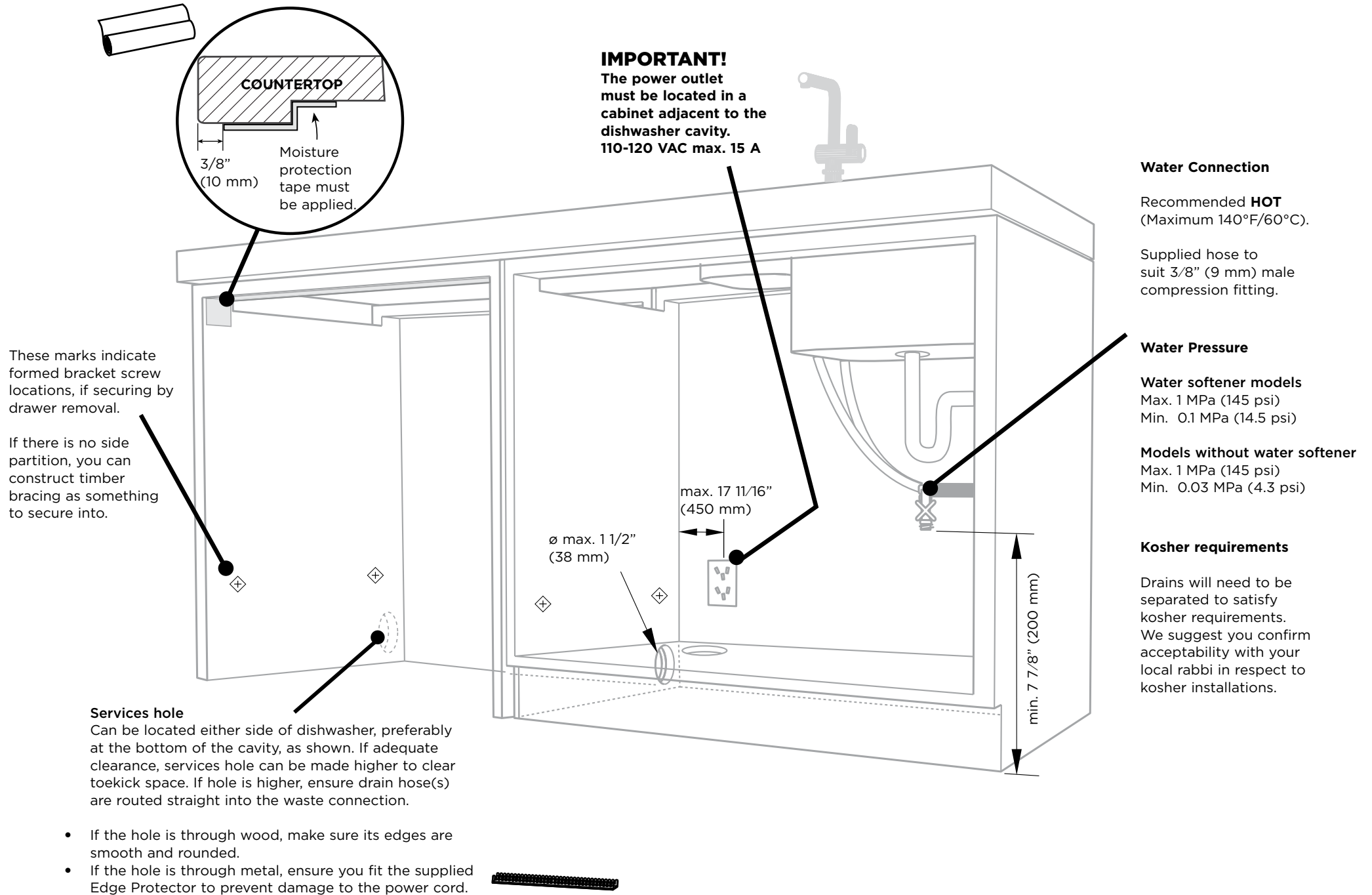


Depth is measured from FRONT of door panel (assuming thickness - 1/16" (18mm) to front face of custom toekick label

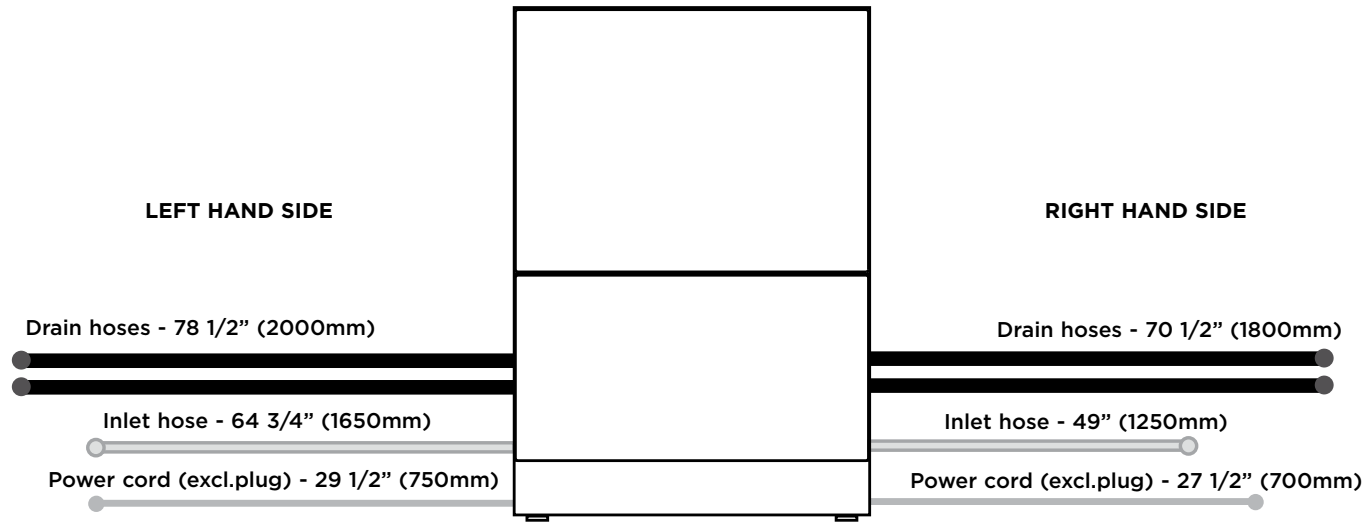
## Toekick Depth

<p><b>NO CUTOUT</b></p> <p>CUSTOM TOEKICK PANEL</p> <p>For a Toekick Depth 1 9/16" (40mm)</p>		<p>1 9/16" (40mm)</p>
<p>Toekick mounting bracket cutting template: <b>PROFILE A</b></p> <p>CUSTOM TOEKICK PANEL</p> <p>For a Toekick Depth 1 9/16" - 3 7/16" (40mm - 88mm)</p>		<p>1 9/16" - 3 7/16" (40mm - 88mm)</p>
<p>Toekick mounting bracket cutting template: <b>PROFILE B</b></p> <p>CUSTOM TOEKICK PANEL</p> <p>For a Toekick Depth 3 7/16" - 3 15/16" (88mm - 100mm)</p>		<p>3 7/16" - 3 15/16" (88mm - 100mm)</p>

## 8 CAVITY PREPARATION

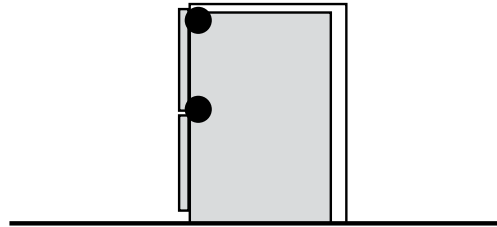


9 MAXIMUM DISTANCE OF HOSES & CORD FROM CHASSIS EDGE



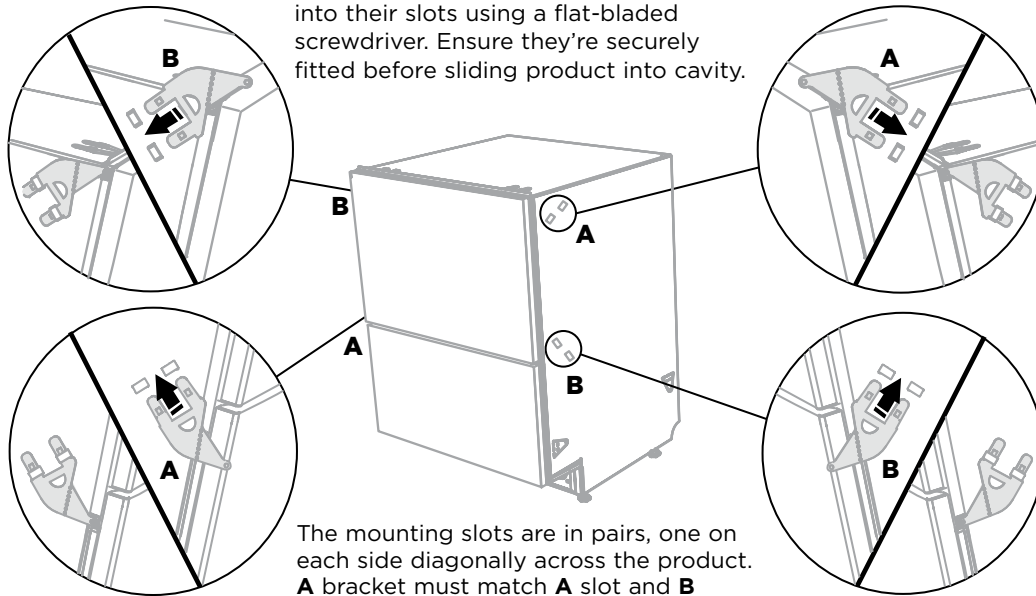
**NOW CHOOSE WHICH INSTALLATION METHOD (A) OR (B)  
IS MORE SUITABLE FOR YOUR CABINETRY...**

**10 RECOMMENDED METHOD (A) - SECURE WITHOUT DRAWER REMOVAL (FRAMELESS CABINETRY ONLY)**

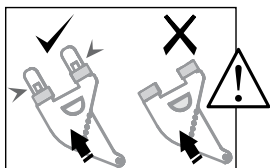


**10-(A) ATTACH SIDE MOUNTING BRACKETS**

Clip all four side mounting brackets into their slots using a flat-bladed screwdriver. Ensure they're securely fitted before sliding product into cavity.



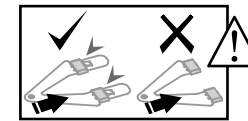
The mounting slots are in pairs, one on each side diagonally across the product. **A** bracket must match **A** slot and **B** bracket must match **B** slot.



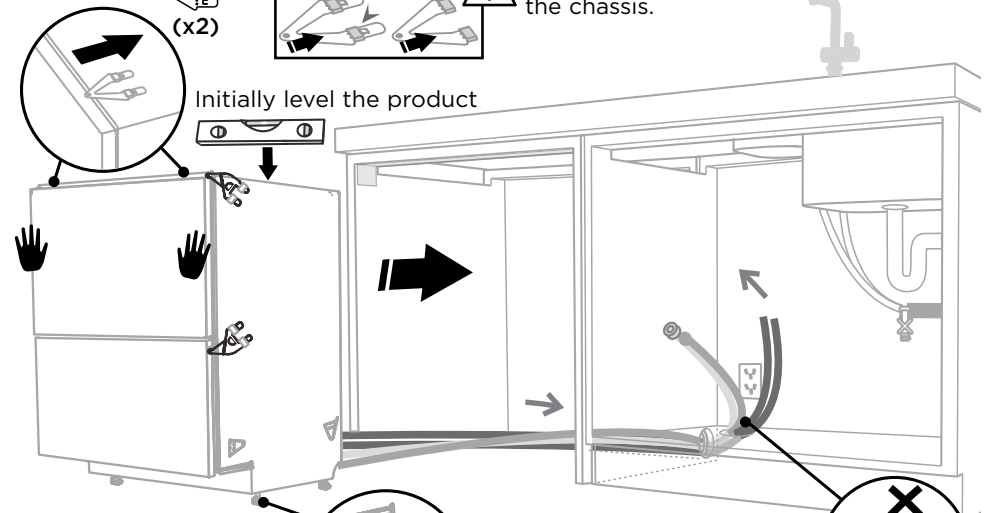
When fitting brackets, ensure the ends are not pushed down into the chassis.

**11-(A) PULL THROUGH HOSES & PUSH INTO THE CAVITY**

optionally attach the two top mounting brackets (x2)



When fitting brackets, ensure the ends are not pushed down into the chassis.

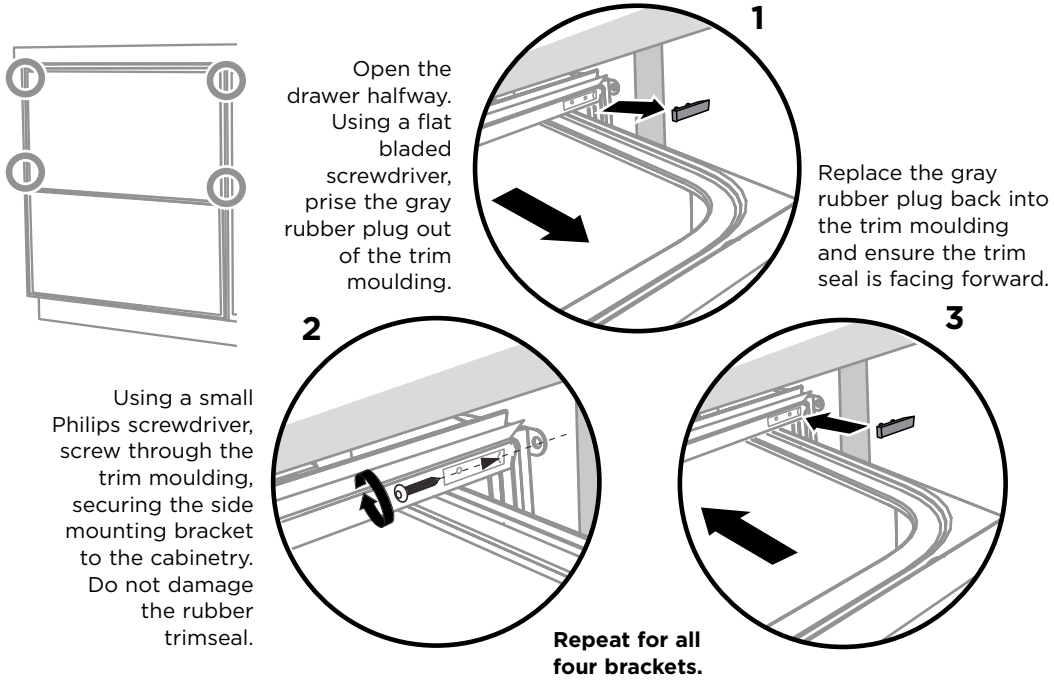


Initially level the product

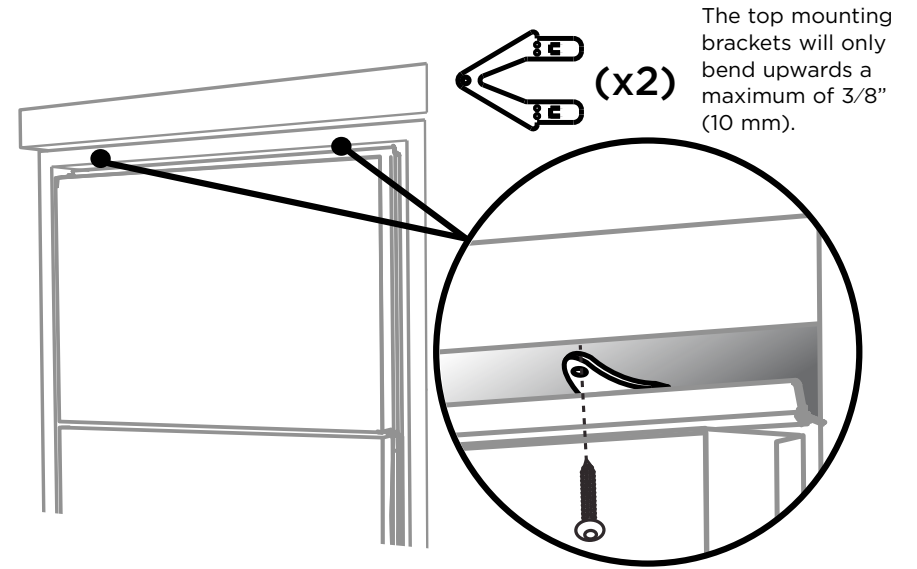
You can raise or lower the product by twisting the feet. Then take care when pushing the product into the cavity that you do not bend the feet.

As you push product in, pull through hoses and cord, ensuring they don't get kinked or twisted.

12-A SECURE TO THE CABINETRY ON THE SIDES

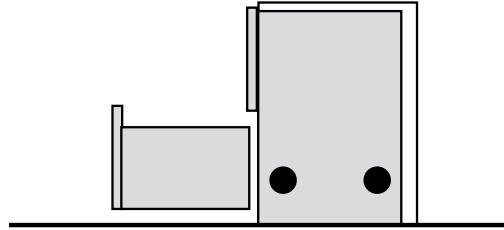


13-A OPTIONALLY SECURE TO THE CABINETRY ABOVE



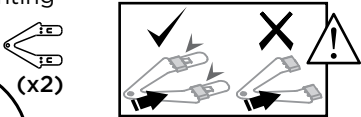
14-A AFTER SECURING, REFER TO 'FIT THE SUPPLIED TOEKICK PANEL' STEP

10 ALTERNATIVE METHOD (B) - SECURE BY DRAWER REMOVAL

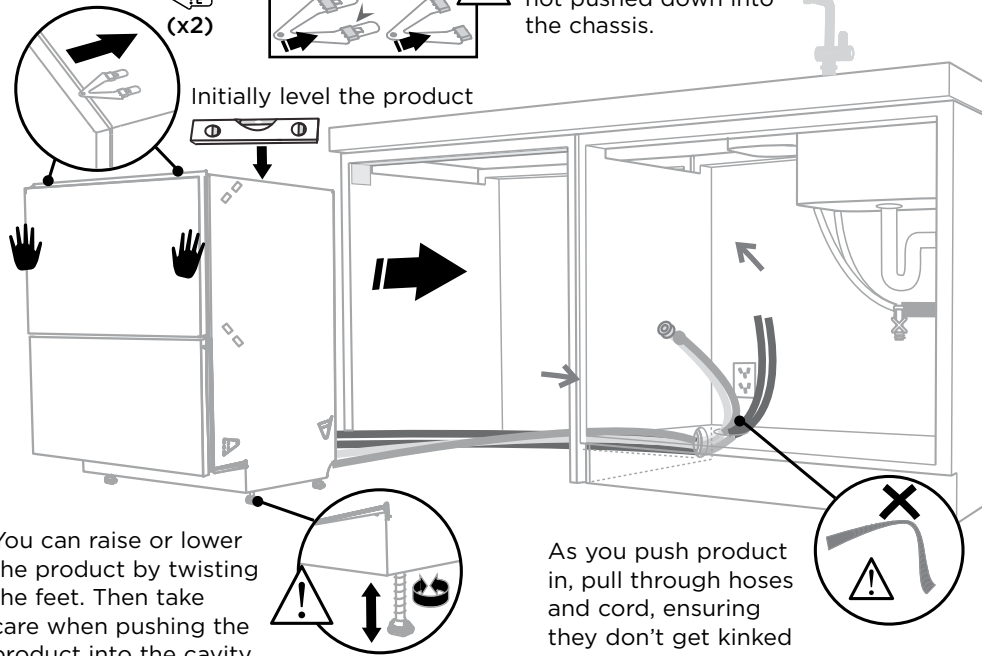


10-B PULL THROUGH HOSES & PUSH INTO THE CAVITY

optionally attach the two top mounting brackets



When fitting brackets, ensure the ends are not pushed down into the chassis.

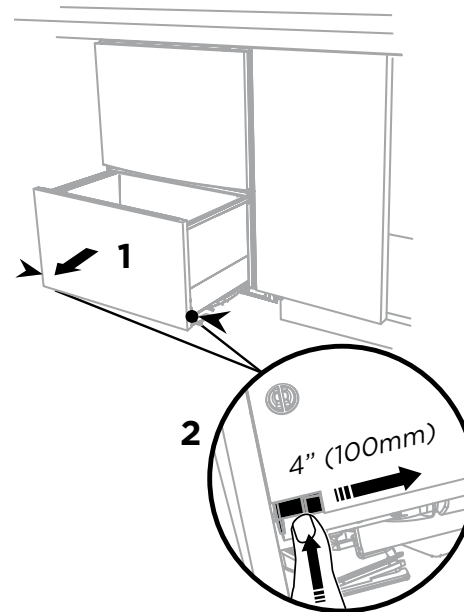


Initially level the product

As you push product in, pull through hoses and cord, ensuring they don't get kinked or twisted.

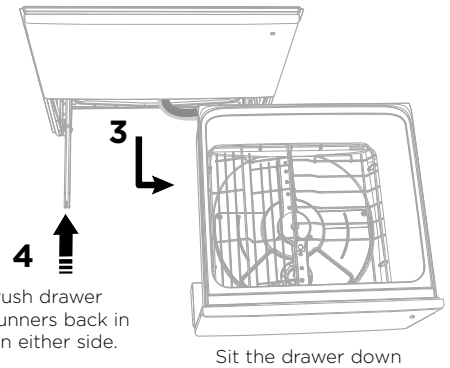
You can raise or lower the product by twisting the feet. Then take care when pushing the product into the cavity that you do not bend the feet.

11-B REMOVE THE LOWER DRAWER



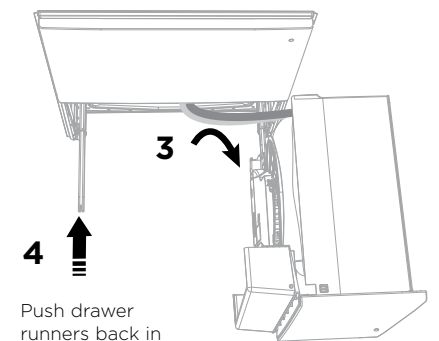
Press the release tabs in on either side and push back to release drawer from runners. Lift drawer off runners.

To prevent kinked hoses  
Either sit the drawer down on the left hand side (recommended) or rotate the drawer clockwise, resting it on its side after removal.



Push drawer runners back in on either side.

Sit the drawer down

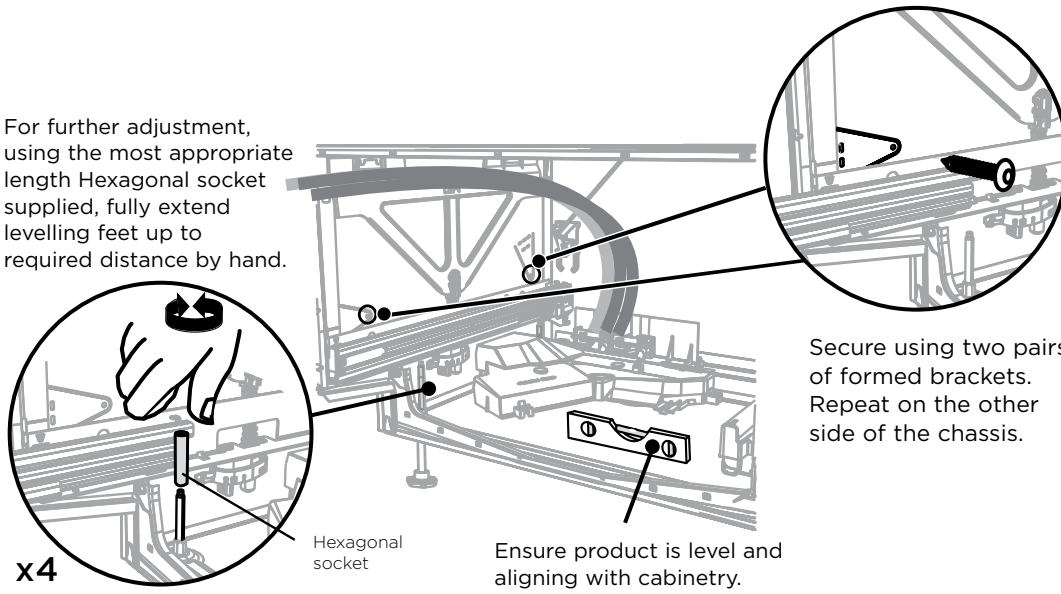


Push drawer runners back in on either side.

Rotate the drawer clockwise (max. 90°) and rest on side.

12-B SECURE TO THE CABINETRY ON THE SIDES

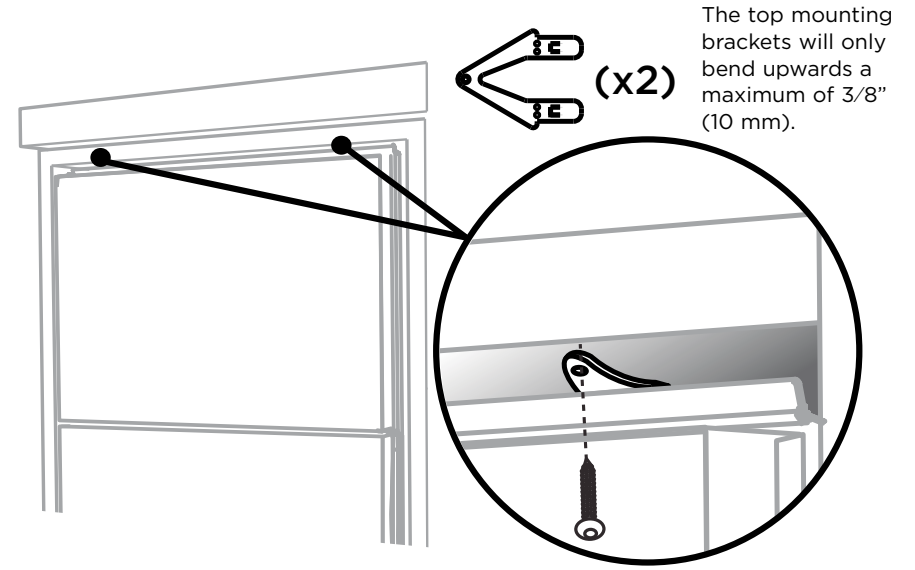
For further adjustment, using the most appropriate length Hexagonal socket supplied, fully extend levelling feet up to required distance by hand.



Secure using two pairs of formed brackets. Repeat on the other side of the chassis.

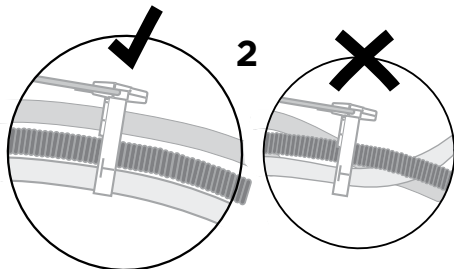
Ensure product is level and aligning with cabinetry.

13-B OPTIONALLY SECURE TO THE CABINETRY ABOVE

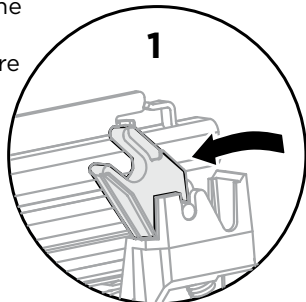


The top mounting brackets will only bend upwards a maximum of 3/8" (10 mm).

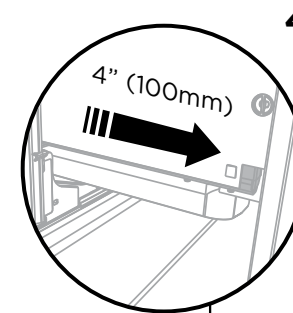
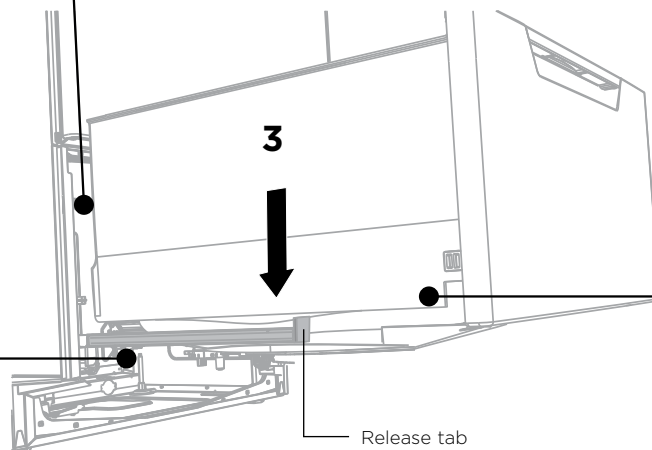
14-B REFIT THE DRAWER ONTO THE RUNNERS



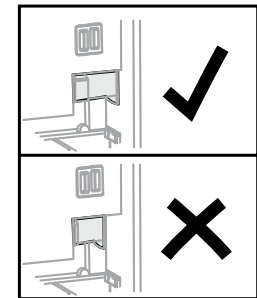
Before refitting the drawer, ensure the hoses are not twisted and the latches at the rear of each drawer runner are facing forward.



Lift or rotate counterclockwise the drawer back onto the drawer runners on either side.



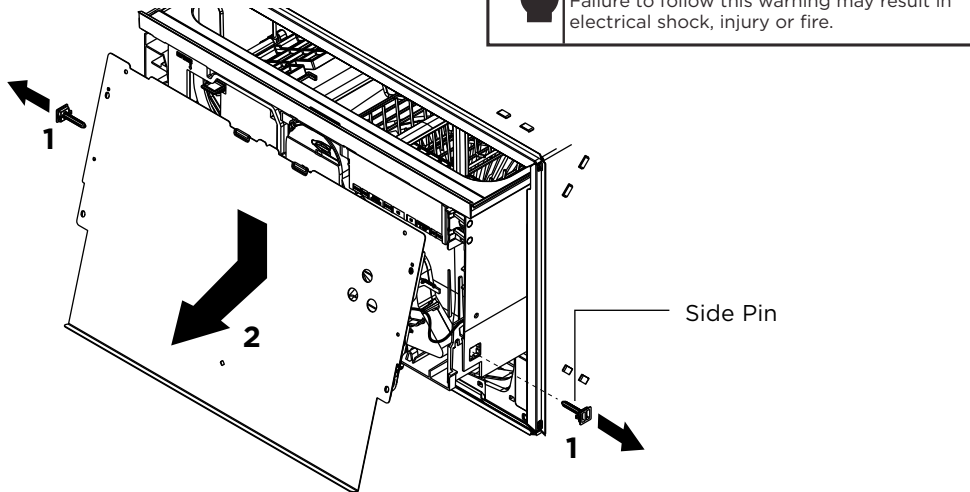
Pull the release tabs forward on both sides 4" (100mm). Ensure the tabs are fully pulled forward and click into place.



15 INSTALLING CUSTOM FRONT DRAWER PANELS

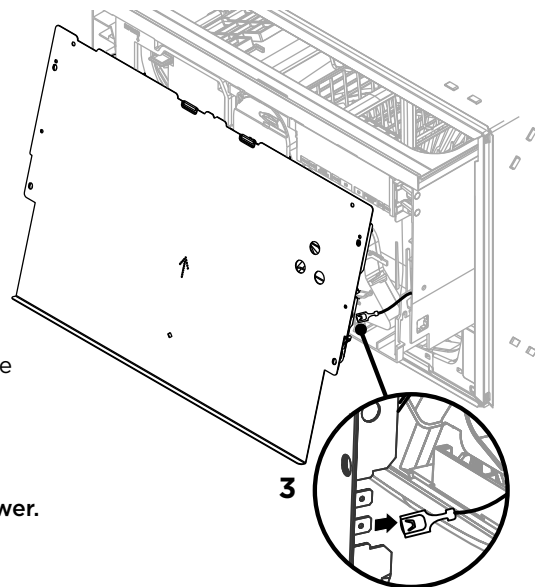
15-B REMOVE BOTH PANEL BRACKETS FROM PRODUCT

**WARNING!**  
**Electrical Shock Hazard**  
 Before continuing, ensure that the product is disconnected from the power supply. Failure to follow this warning may result in electrical shock, injury or fire.



Remove side pins and gently pull off the panel bracket slightly.

Repeat for the other drawer.

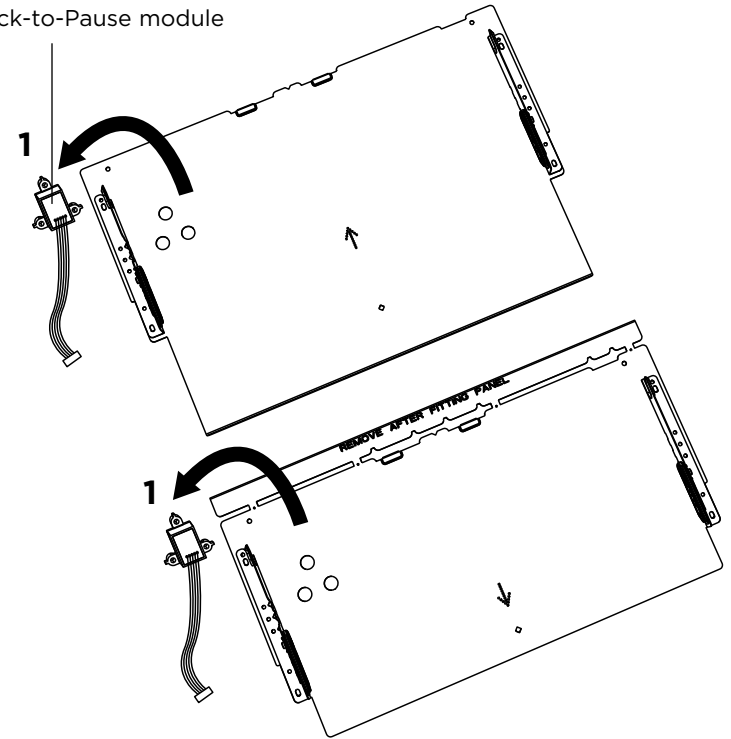


- ① Disconnect the Earth Wire from the bracket
- ② Unplug the knock sensor from the controller.

Repeat for the other drawer.

15-B REMOVE THE KNOCK-TO-PAUSE MODULE

Knock-to-Pause module



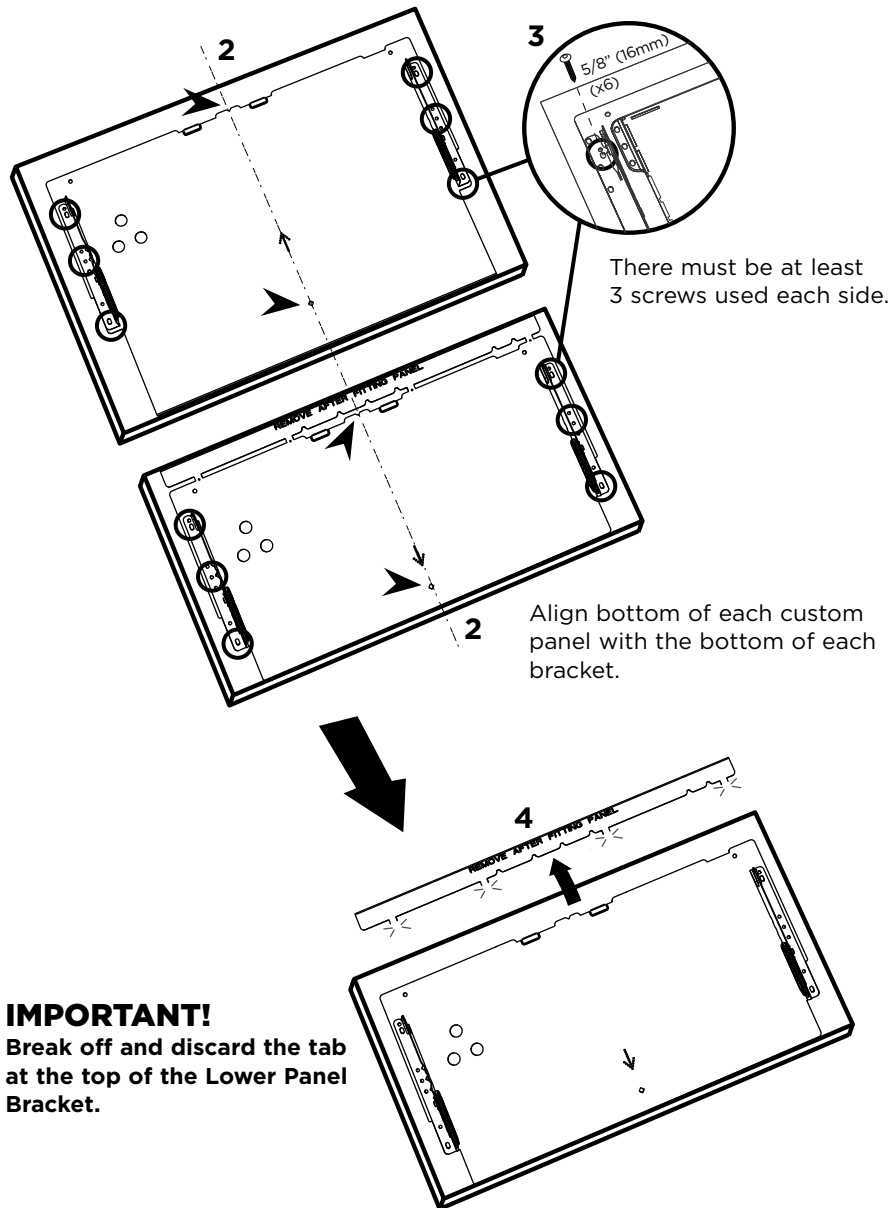
Remove the Knock-to-Pause module from the back of the bracket.

Repeat for the other bracket.

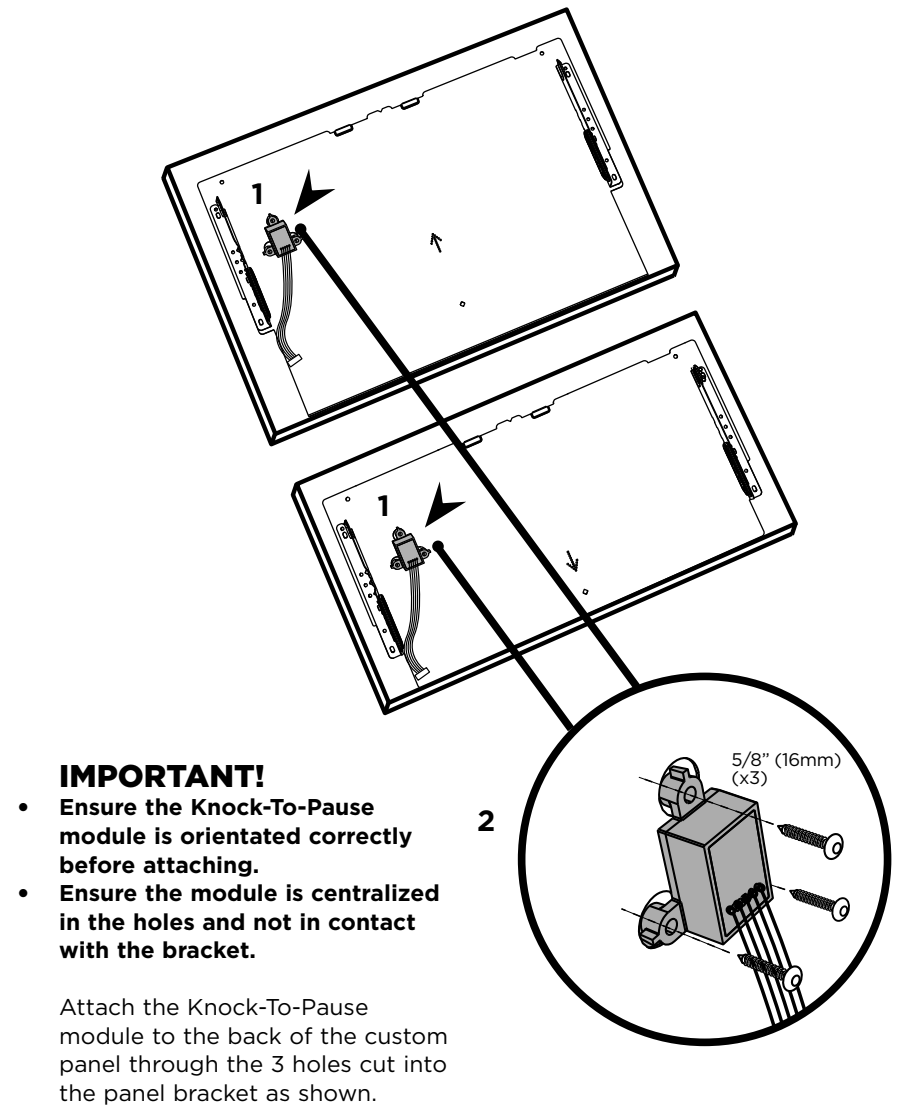


## 15 INSTALLING CUSTOM FRONT DRAWER PANELS

### 15-C ATTACH CUSTOM PANELS TO PANEL BRACKETS



### 15-D ATTACH KNOCK-TO-PAUSE MODULES TO CUSTOM PANELS

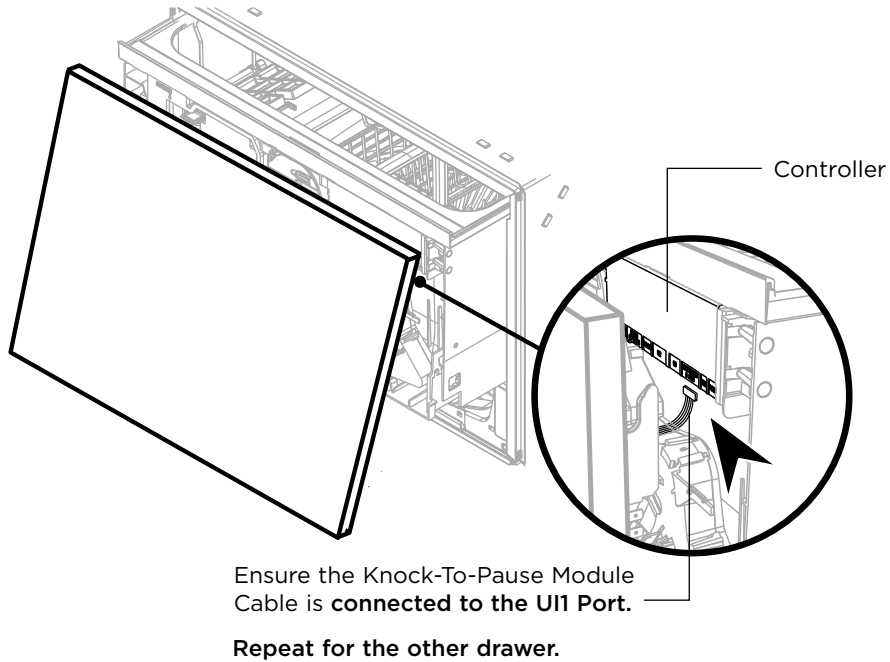


Use all 3 screws provided.

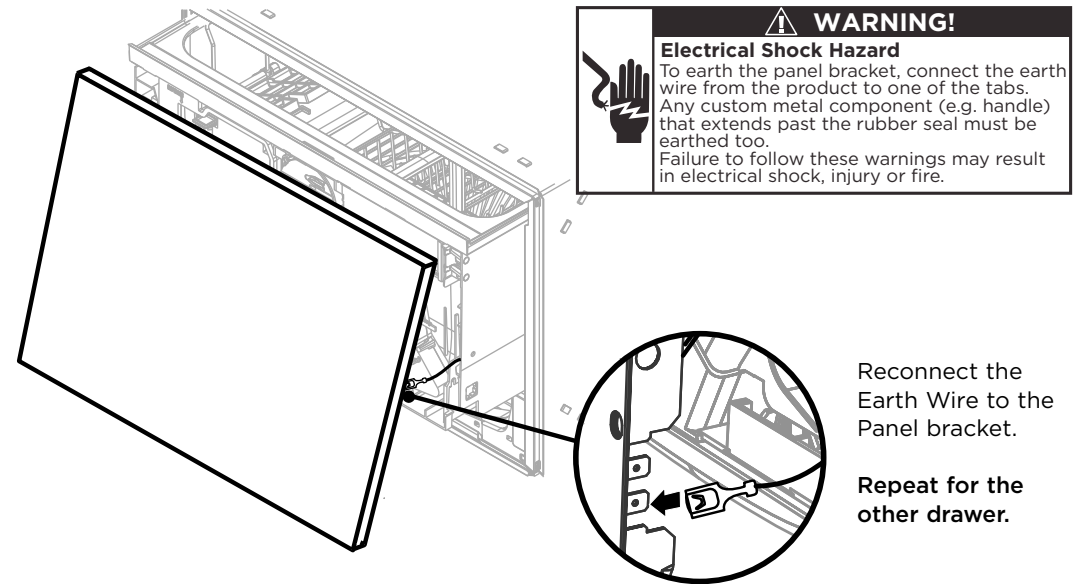
Repeat for the other module.

15 INSTALLING CUSTOM FRONT DRAWER PANELS

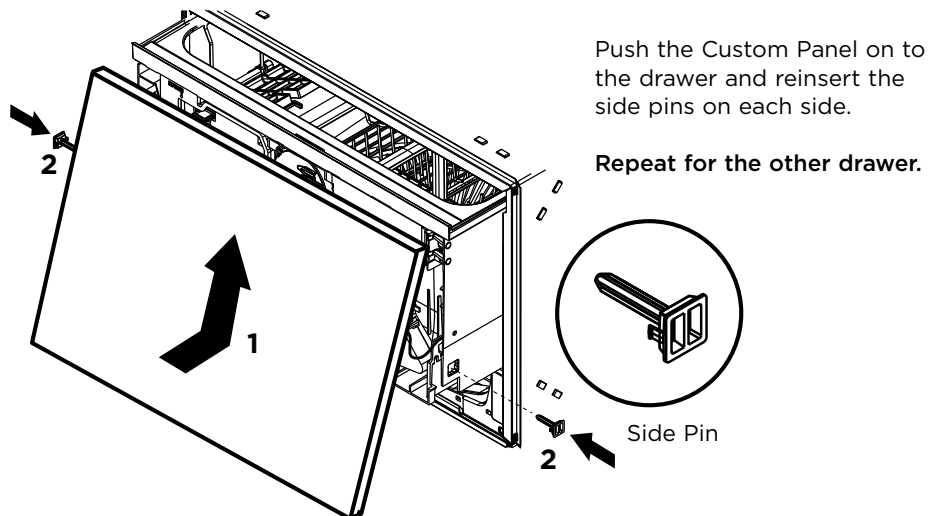
15-E CONNECT THE KNOCK-TO-PAUSE MODULE TO THE CONTROLLER



15-F RECONNECT THE EARTH WIRE TO THE PANEL BRACKET



15-G ATTACH CUSTOM PANELS TO PRODUCT



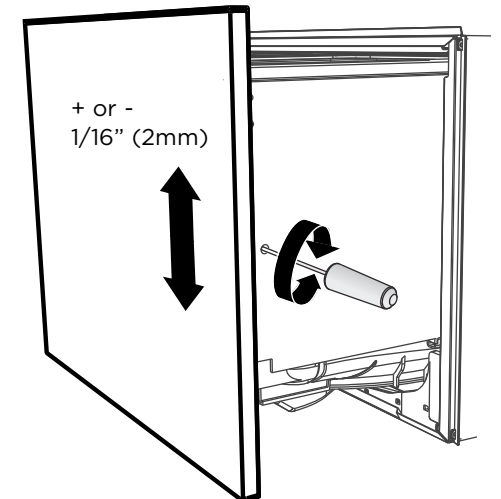
15-H ADJUST CUSTOM PANEL HEIGHT TO ALIGN CABINERY GAPS

With the front panels fitted, insert an appropriately sized Philips screwdriver into the hole above the side pin and rotate the panels up or down to align the gaps in your cabinetry.

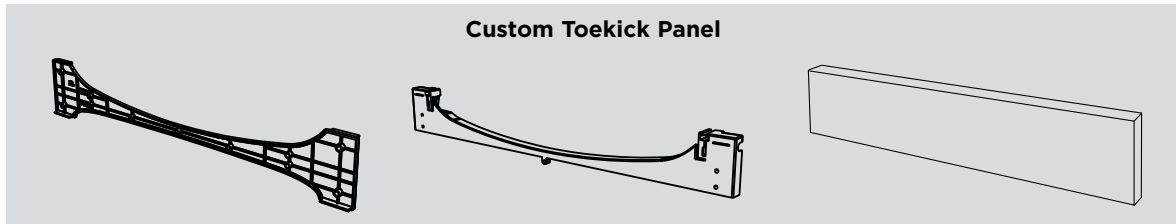
Repeat on the other side if necessary.

Each panel has a maximum travel of 1/16" (2mm) up or down.

**IMPORTANT!**  
 Ensure that you maintain a minimum of 5/16" (8mm) ventilation gap between the upper and lower panels.



Custom Toekick Panel



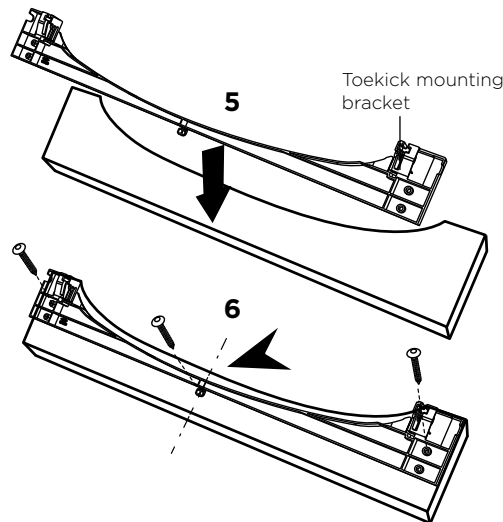
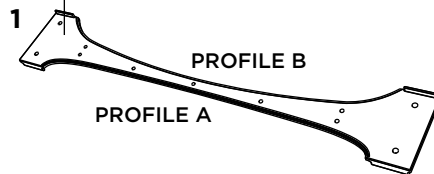
**Toekick Depth**

<p><b>NO CUTOUT</b></p> <p>CUSTOM TOEKICK PANEL</p> <p>For a Toekick Depth 1 9/16" (40mm)</p>		<p>1 9/16" (40mm)</p>
<p>Toekick mounting bracket cutting template: <b>PROFILE A</b></p> <p>CUSTOM TOEKICK PANEL</p> <p>For a Toekick Depth 1 9/16" - 3 7/16" (40mm - 88mm)</p>		<p>1 9/16" - 3 7/16" (40mm - 88mm)</p>
<p>Toekick mounting bracket cutting template: <b>PROFILE B</b></p> <p>CUSTOM TOEKICK PANEL</p> <p>For a Toekick Depth 3 7/16" - 3 15/16" (88mm - 100mm)</p>		<p>3 7/16" - 3 15/16" (88mm - 100mm)</p>

Depth is measured from FRONT of door panel (assuming thickness - 11/16" (18mm) to front face of custom toekick label

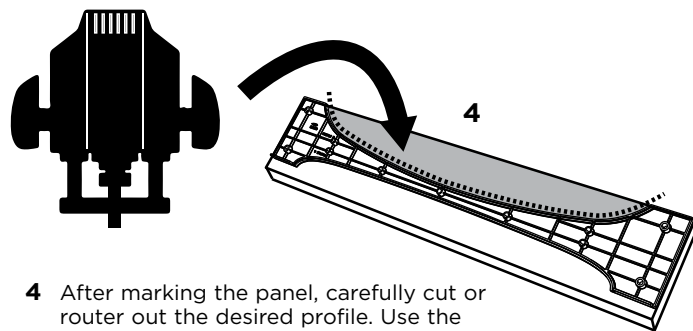
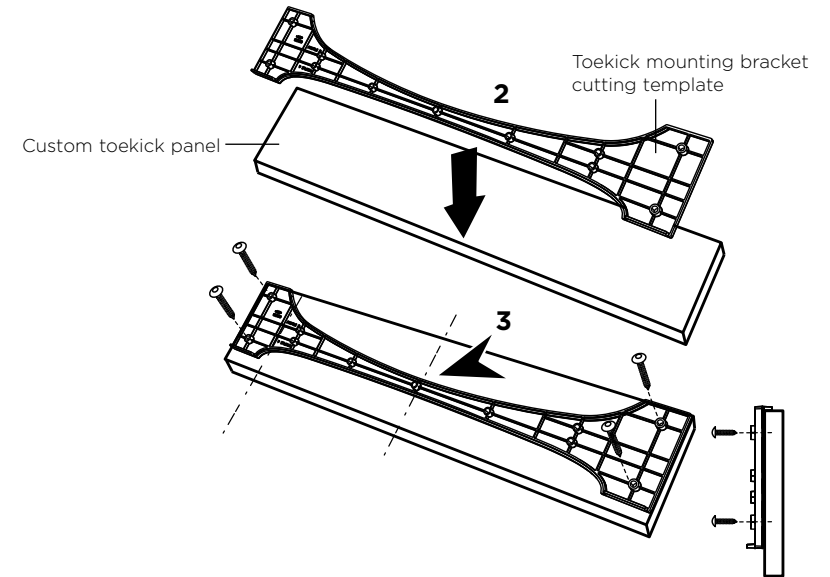
- 1 If you require a cutout in your custom toekick panel, choose the most appropriate cutout profile (A or B) depending on the final depth of your toekick panel.

Toekick mounting bracket cutting template



- 5 Place the Toekick mounting bracket onto your toekick panel. Ensure they are centered and the top of the template aligns with the top surface of the panel.
- 6 Secure template to panel using the supplied toekick mounting screws.

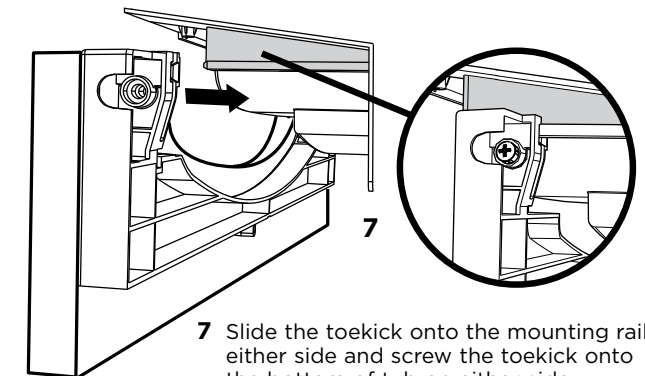
- 2 Place the Toekick mounting bracket cutting template onto your toekick panel. Ensure they are centered and the template rests on the top surface of the panel.
- 3 Secure template to panel either by clamping or using the supplied mounting screws.



- 4 After marking the panel, carefully cut or router out the desired profile. Use the template as a cutting guide.

**IMPORTANT!**

Ensure all bare edges are sealed appropriately.



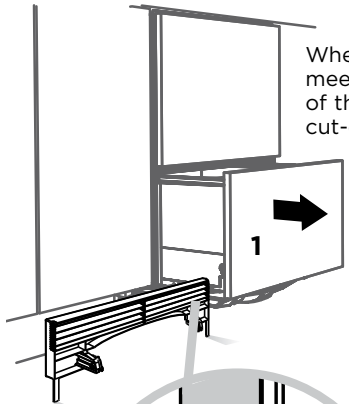
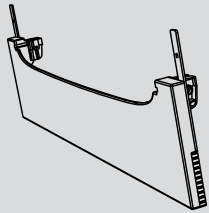
- 7 Slide the toekick onto the mounting rails either side and screw the toekick onto the bottom of tub on either side.

**IMPORTANT!**

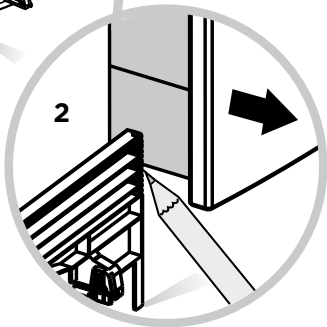
Do not overtighten screw.

16 FIT THE SUPPLIED PREFINISHED TOEKICK PANEL (IF PREFERRED)

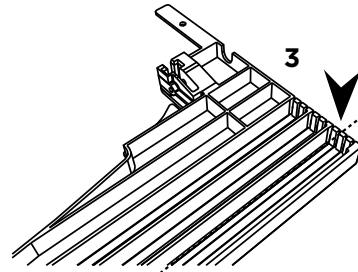
Prefinished Toekick Panel



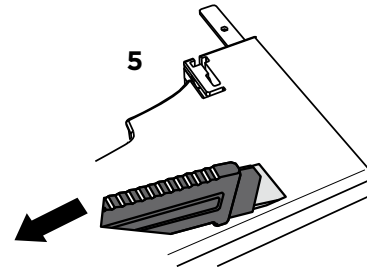
Where the toekick meets the bottom of the tub is the cut-off point



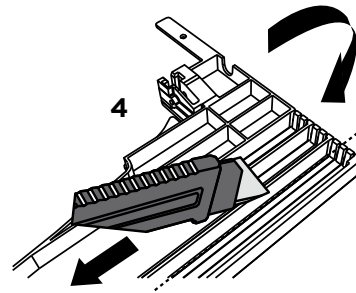
Mark this point on the toekick with a pencil



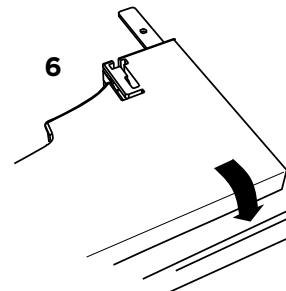
Lay the toekick face down on a chopping board or similar



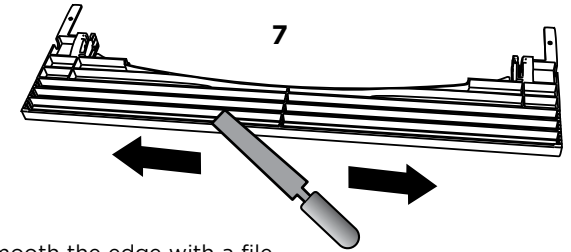
Turn the toekick over and score along the same line



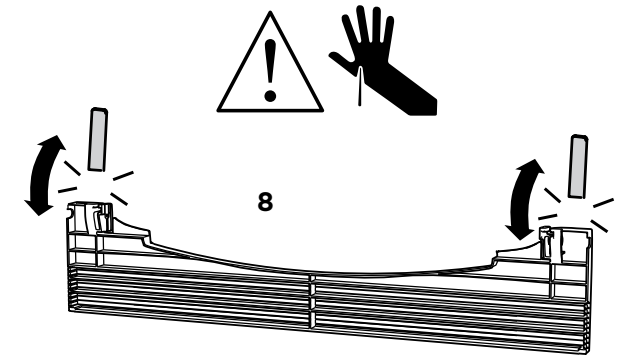
Score along with a knife



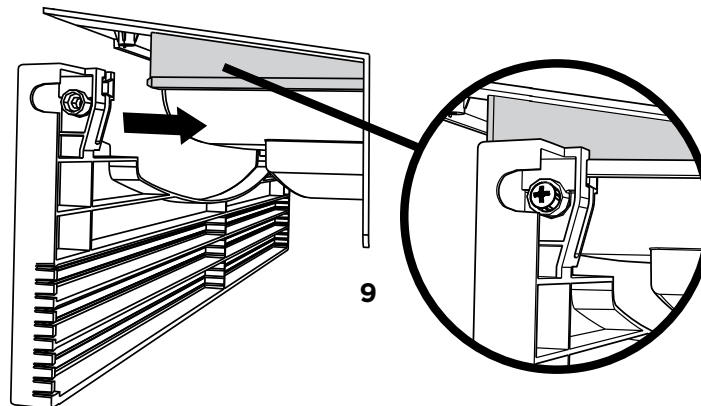
Gently snap off the excess



Smooth the edge with a file. Be careful of sharp edges.



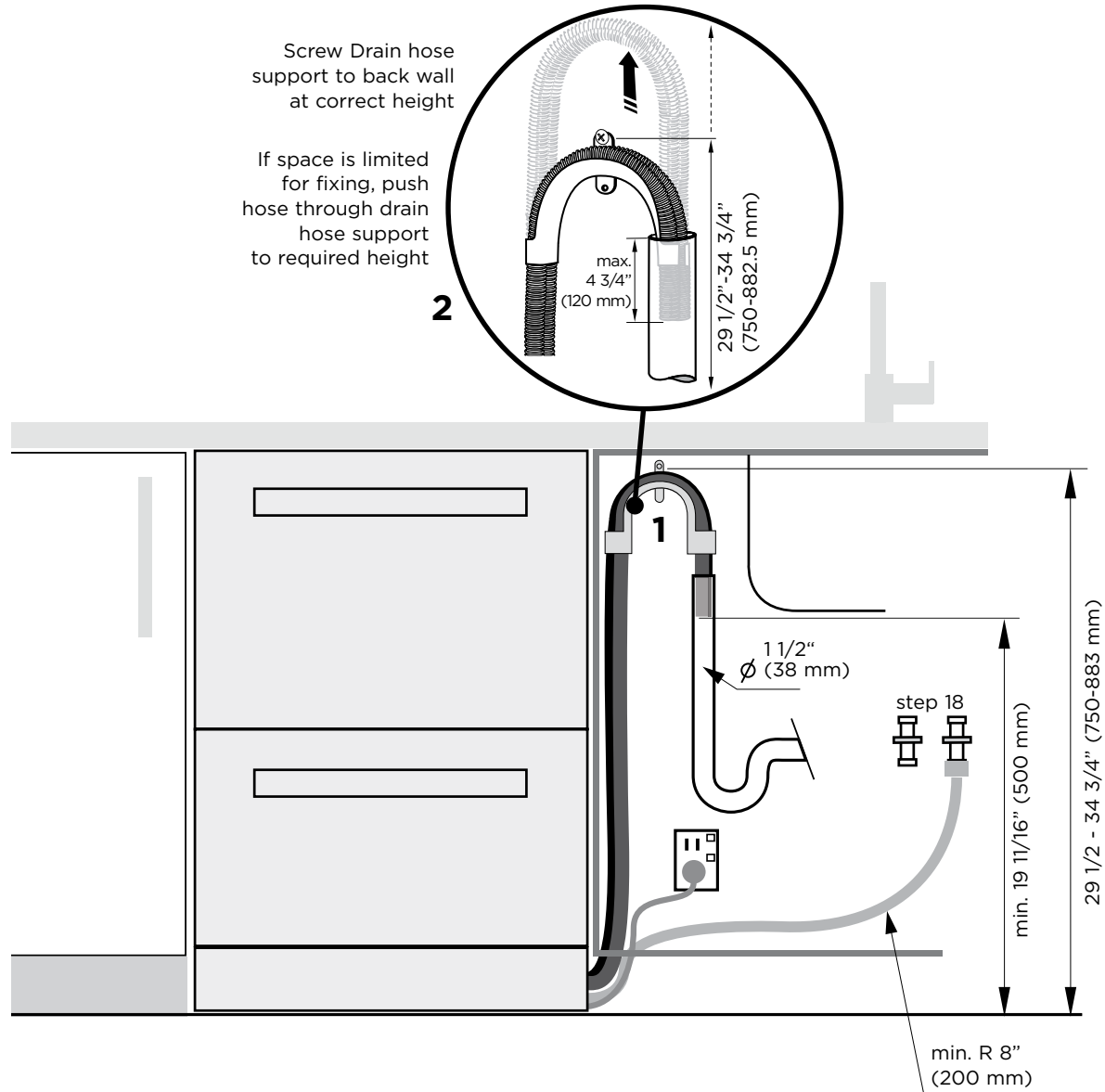
Snap off the two end tabs



Slide the toekick onto the mounting rails either side and screw the toekick onto the bottom of tub on either side.

**IMPORTANT!**  
Do not overtighten screw.

**DRAINAGE OPTION 1**  
**Dishwasher and Ø 1 1/2" (38 mm) Standpipe**



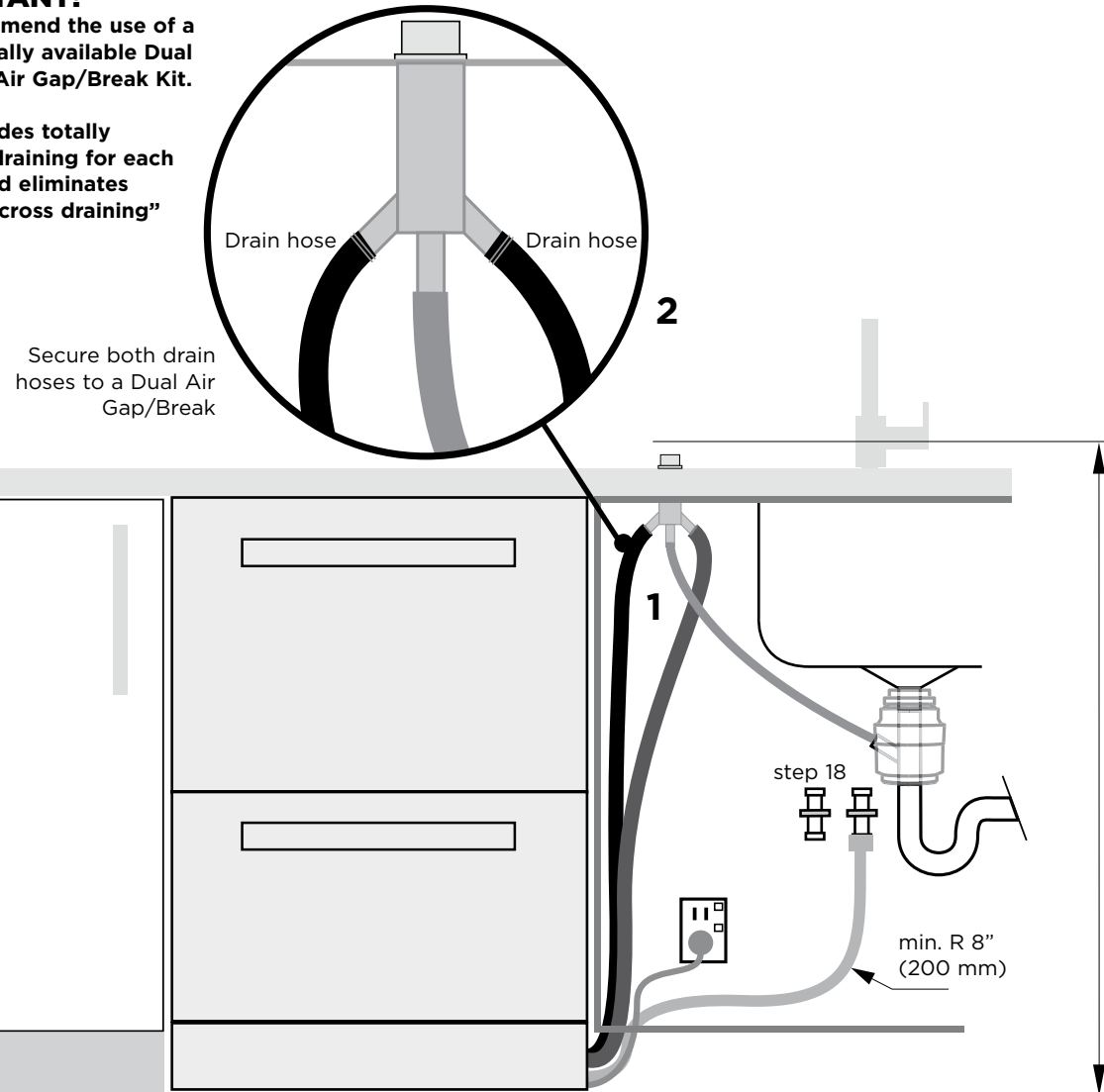
**IMPORTANT!**  
 Ensure that drain connection will comply with local plumbing regulations.

## DRAINAGE OPTION 2 Dishwasher using Dual Air Gap/Break with Drain Hose Joiner

### IMPORTANT!

We recommend the use of a commercially available Dual (Double) Air Gap/Break Kit.

This provides totally separate draining for each drawer and eliminates possible "cross draining" problems

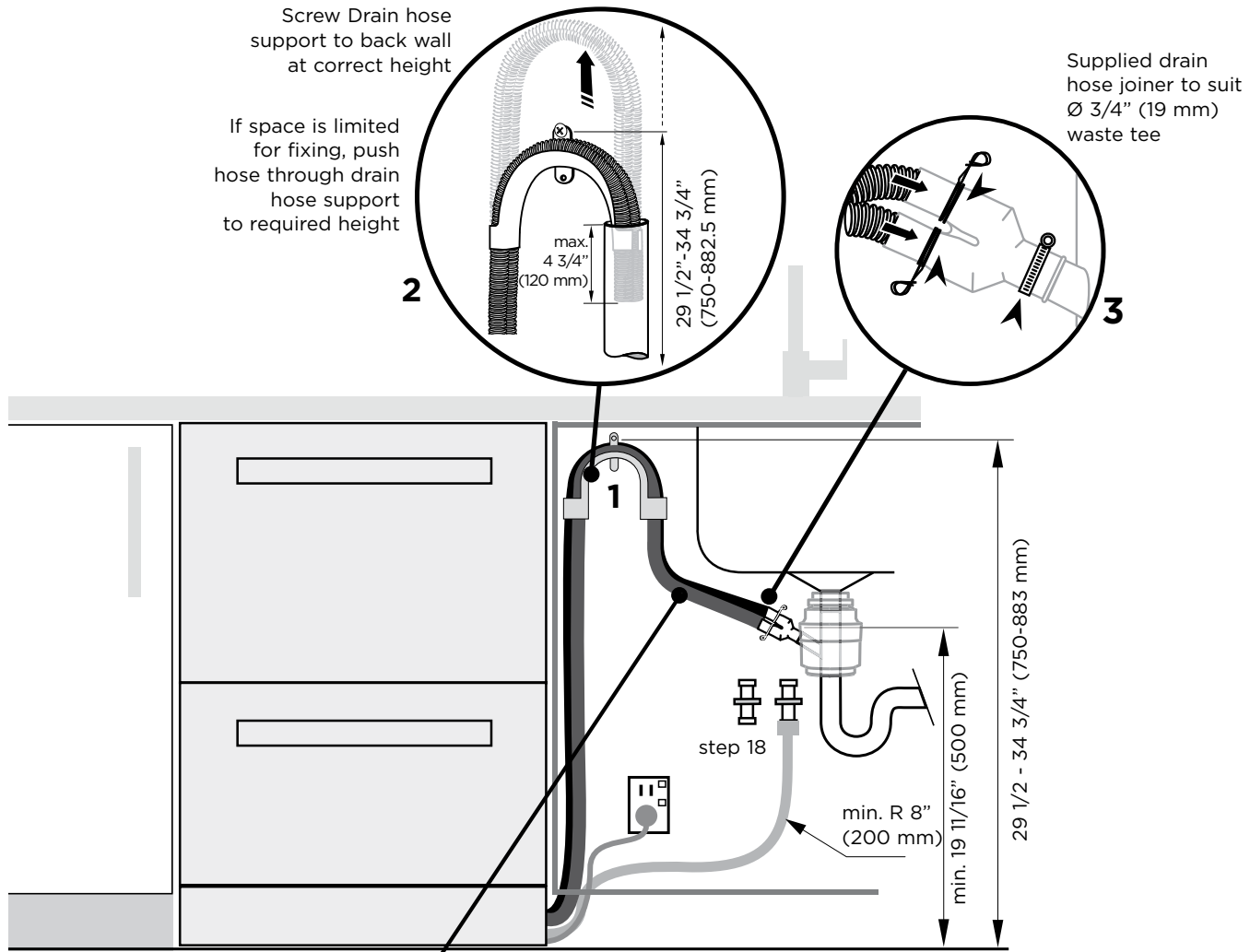


37 3/8" (950 mm)  
Max. height to top  
of Air Break  
(countertop or  
wall mounted)

### IMPORTANT!

Ensure that drain connection will comply with local plumbing regulations.

**DRAINAGE OPTION 3**  
**Dishwasher using drain hose joiner onto sink trap/waste tee**



Screw Drain hose support to back wall at correct height

If space is limited for fixing, push hose through drain hose support to required height

2

max. 4 3/4" (120 mm)  
 29 1/2" - 34 3/4" (750-882.5 mm)

Supplied drain hose joiner to suit Ø 3/4" (19 mm) waste tee

3

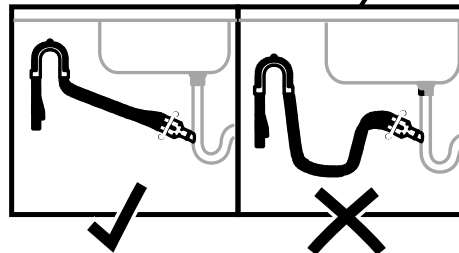
step 18

min. R 8" (200 mm)

min. 19 11/16" (500 mm)

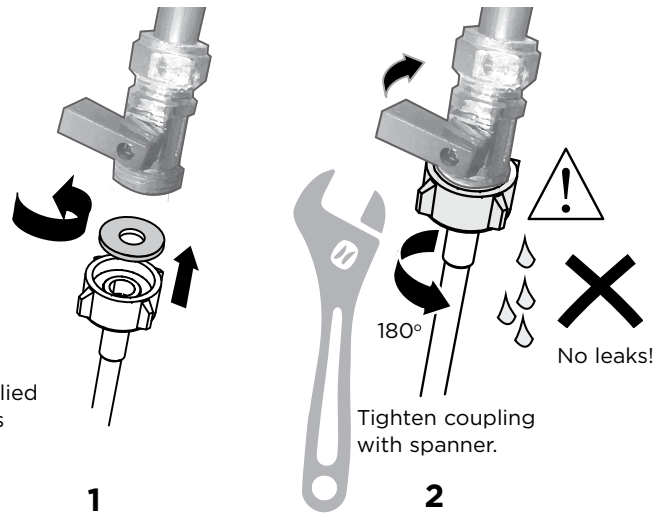
29 1/2" - 34 3/4" (750-883 mm)

**IMPORTANT!**  
 Ensure that drain connection will comply with local plumbing regulations.



Ensure drain hose is routed straight to joiner. Remove excess drain hose material if necessary. Do not shorten the inlet hose.

## 18 CONNECT INLET HOSE TO HOT WATER



Ensure the supplied rubber washer is fitted inside the coupling.

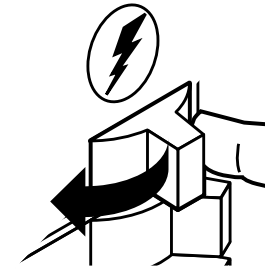
1

Tighten coupling with spanner.

2

No leaks!

## 19 SWITCH PRODUCT ON



## 20 TROUBLESHOOTING

- **Excessive water remaining above the filter plate, after the rinse cycle. (This is displayed as an A3 fault. See user guide 'How to attend to a fault')**  
Check for a kinked drain hose, blocked or incorrectly drilled out waste connection, highloop not properly installed, drain hose not routed correctly or spray arms not in place.
- **No water supply. (This is displayed as an A1 fault. See user guide 'How to attend to a fault')**  
Check water is connected and turned on.
- **The dishwasher is beeping continuously**  
There is a fault. See section 'How to attend to a fault' in the User guide for further information and instructions.
- **No program indicator lights up when the drawer is opened**  
Ensure power is connected and is switched on. If it is and still no indicator lights up, see the 'Preference options' section of the 'Quick start guide'. An option called 'Open drawer auto power-on' may need to be turned on.
- **Water around water supply and drainage connections**  
Check connections, existing plumbing and hoses for leaks. Check rubber washer and hose clamp are correctly fitted.
- **If product is tipping**  
Ensure the product is secured to the cabinetry.
- **If front panels are misaligned**  
Check and relevel product. Check the cabinetry is square. For Integrated models, check and adjust front panel alignment if necessary.
- **Drawer doesn't close properly**  
Ensure nothing is obstructing the drawer from closing properly eg hoses or drawer latches.
- If a problem occurs, consult the 'Troubleshooting' section of the User guide.
- If after checking these points you still need assistance, please refer to the Service & Warranty book for warranty details and your nearest Authorized Service Center, or contact us through our website, listed below.

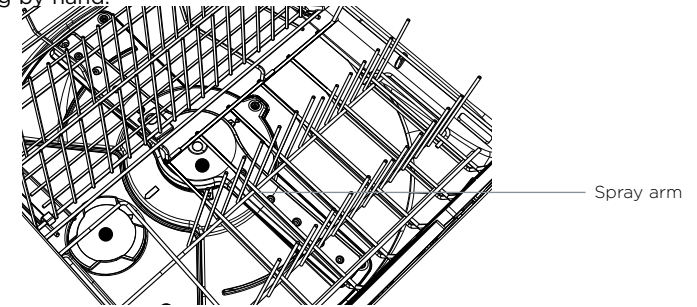


21 **FINAL CHECKLIST**

✓ **TO BE COMPLETED BY THE INSTALLER**

- Check all parts are installed.
- Ensure that all panels and parts thereof are secure and final electrical tests have been conducted in accordance with local electrical regulations.
- Ensure product is level, securely fastened to the cabinetry and opens and closes freely. The drawers must be free to fully close with no resistance from the cabinetry.
- Ensure inlet hose to water supply has supplied rubber washer fitted, and that it's tightened a further half turn after seal contact.
- Ensure any knockouts or plugs in drain connection have been drilled out and drain connection has been made.
- The drain hose joiner must not support the weight of excess hose material. Keep drain hose as fully extended as possible to prevent sagging. Any excess length of drain hose should be kept on the dishwasher side of the highloop.
- If connecting the drain hose to the sink trap, ensure the Highloop is a minimum 5 7/8" (150mm) higher than the drain hose joiner.
- Ensure any packaging or tape securing the racks is removed from the drawers.
- Water softener models only: adjust the water softener setting from the default setting to suit the water hardness of the area. See the Quick start guide and section 'Water softener' in the User guide.

- Turn on the power and water supplies, then open the drawers. You should hear a beep and see a program indicator light up on the internal control panel.
- Check the spray arms are in place, mounted correctly and free to rotate, by physically rotating by hand.



- Add three cups of water into the drawer. Press >> until the indicator of the 'Rinse' program lights up. Close the drawer and press ▶▶ to start the program. Repeat for the other drawer.
- When the test cycle is in process check the knock sensor is working by knocking twice on the door to pause the wash program.
- After the Rinse program has finished, ensure the dishwasher has run and drained correctly.
- Check the water supply has correctly shut off and drainage connection for leakage.

Complete and keep for safe reference:

Model \_\_\_\_\_

Serial No. \_\_\_\_\_

Purchase Date \_\_\_\_\_

Purchaser \_\_\_\_\_

Dealer Address \_\_\_\_\_

Installer's Name \_\_\_\_\_

Installer's Signature \_\_\_\_\_

Installation Company \_\_\_\_\_

Installation Date \_\_\_\_\_

**FISHERPAYKEL.COM**

Copyright © Fisher & Paykel Appliances 2017. All rights reserved.  
 The product specifications in this booklet apply to the specific products and models described at the date of issue. Under our policy of continuous product improvement, these specifications may change at any time. You should therefore check with your Dealer to ensure this booklet correctly describes the product currently available.

