



PALERMO INSERT

TÉCHNE SERIES



LED lamps



stainless steel push button controls

Palermo provides professional grade performance, while its 28 1/4" width and 10 3/4" depth enables it to be discreetly installed within standard 12" deep cabinetry, making it ideal for smaller kitchens or where the range hood needs to be out of sight. Palermo has a powerful 600 CFM blower to support most cooking needs. Stylish stainless steel push button controls operate a 3-speed blower and LED lighting.

Easy maintenance, higher efficiency and a cleaner kitchen are ensured by Elica's Baffle Slot Filters, which capture a higher percentage of grease and hold larger volumes of grease than traditional baffle filters. Palermo is designed for standard ducted or recirculating installation.

Dimensions | Models

28 1/4" W x 10 3/4" D x 9 1/2" H | EPR628S1
Palermo 28" Stainless



HUSH



TOP
PERFORMANCE



LED
LIGHT

FEATURES

Size (in) & Type	28" Wide Insert
Finish	Stainless steel
Controls	Stainless Steel Push Button
Illumination	2 Premium LED, 2.5 Watts
Installation Type	Ducted or Recirculating Installation Recirculating Kit Sold Separately
Blower Type	600 CFM, 3-Speed Internal
Blower Performance	Speed 1, 190 CFM Speed 2, 350 CFM Speed 3, 600 CFM
Noise (sones):	Min: 2.1, Max: 6 Sones
Filter Type	2 Dishwasher-Safe, Stainless Steel Baffle Slot
Duct Transition	6" Round with Back Draft Damper (top)
Electrical	120V-60Hz 455 Watts at 3.8 Amps

Accessories

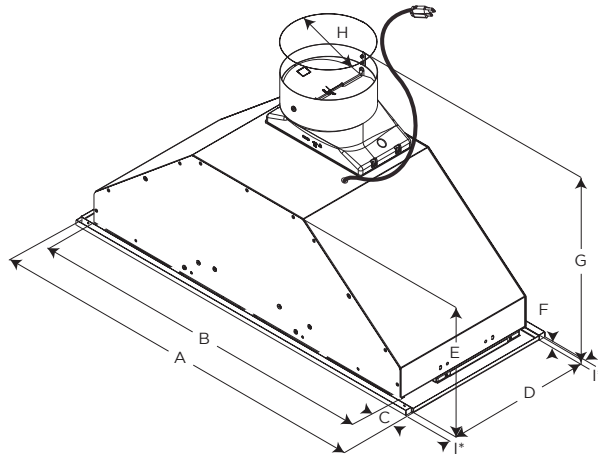
Optional Recirculating Kit with 2 Carbon Filters
CODE: KIT02770

Optional 30" Hood Liner
29" W x 17 1/2" - 20 1/2"D x 4"H
CODE: KIT02773

Optional 36" Hood Liner
35" W x 17 1/2" - 20 1/2"D x 4"H
CODE: KIT02774



Line Drawing



	Model
	EPR628S1
A	28 ⁷ / ₆₄ " (71.8 cm)
B	26" (66 cm)
C	1 ⁹ / ₆₄ " (2.9 cm)
D	10 ³ / ₄ " (27.3 cm)
E	9 ¹⁷ / ₃₂ " (24.2 cm)
F	0 ² / ₆₄ " (.85 cm)
G	14 ⁹ / ₁₆ " (37 cm)
H	6" (15.2 cm)
I*	1/2" (127 cm)

Consumable parts

Replacement Grease Filter (1)
CODE: GRI0018064

Replacement Carbon Filter (1)
CODE: FB016A

Consumable parts are sold in units of one (1). Order accordingly.



TOP PERFORMANCE

Excellent performance for models equipped with this plus. High fume capturing capacity with an average aspiration range of 600 CFM's. With a noise level between 60-65 db(A) at maximum speed (reference point varies based on the hood category).



LED LIGHT

LED lighting is undoubtedly the smartest solution in terms of energy saving. Expected life time of over 20.000 hours, represents the most remarkable advantage of LED light bulbs.



HUSH SYSTEM

An exclusive sound deadening technology that effectively reduces sound levels by over 35%, compared to typical range hoods.

PLUS