



MAGGIORE ISLAND

TECHNE SERIES



LED light with dimmer



Glass Touch Control

With a minimalist design but a strong stainless steel construction, Maggiore is in tune with avant-garde appliances where clear and architectural lines take precedence.

Maggiore has a powerful 600 CFM blower, LED dimmable, stainless steel microhole filters and high-tech glass touch controls that deliver convenience and safety.

Maggiore was designed for standard ducted installation, but with also can be installed using the Recirculating Kit, available as an accessory.

Dimensions | Models

36"W x 19 11/16"D x 1 9/16"H | EMG636S1
MAGGIORE 36"

42"W x 19 11/16"D x 1 9/16"H | EMG642S1
MAGGIORE 42"



AMBIENT LIGHT



LED LIGHT



HUSH



DIM-LIGHT



TOP PERFORMANCE

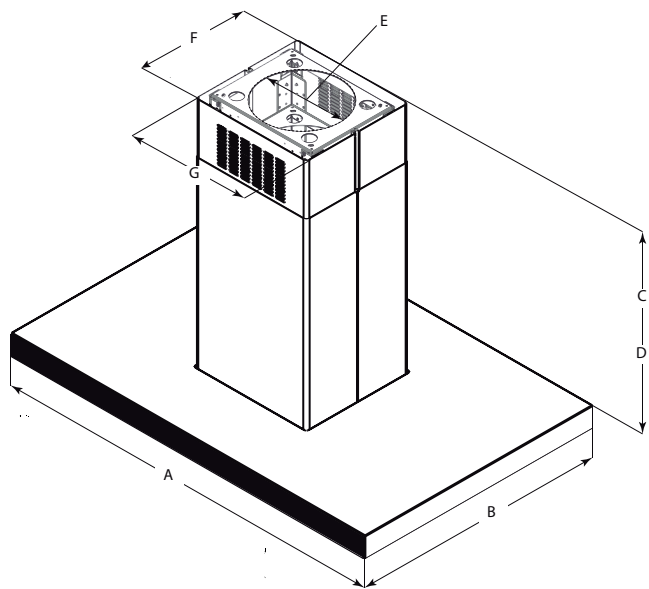


CRS
CFM REDUCTION

FEATURES

Size (in) & Type	36" or 42" wide Island Chimney
Finish	Stainless Steel + Black Glass
Controls	Touch Control 3S + Booster
Illumination	4 Premium LED Dimmable Lights
Installation Type	Ducted or Recirculating Rnstallation Recirculating Kit Sold Separately
Blower Type	Speed 1, 160 CFMs Speed 2, 280 CFMs Speed 3, 470 CFMs Speed 4, 600 CFMs
Filter Type	3 Dishwasher- Safe, Staineless Steel Microhole Filter
Noise (sones):	Min: 1.73, Max: 6 Sones
Duct Transition	Round 6"/150cms
Electrical	120 Volts, 60 Hertz, 455 Watts, 3.8 Amps

Line Drawing



	Models	
	EMG636S1	EMG642S1
A	36" (91.4 cm)	42" (106.7 cm)
B	27 1/8" (68.9 cm)	
C*	Min: 29 1/16" (75.72 cm) Max: 50 1/8" (127.32 cm)	
D**	Min: 45" (114.5 cm) Max: 50 1/8" (127.32 cm)	
E	6" (15.9 cm)	
F	12" (30.4 cm)	
G	13" (33.24 cm)	

* Ductless (Recirculating) version

** Ducted ve rsion

PLUS



AMBIENT LIGHT

Elica studies on hood lighting leaves no stone unturned. Here we have thought about products not only able to light the cooktop, but the entire kitchen space. And so the hood is transformed: from a kitchen appliance to a true lighting element. Considering the design of Elica hoods, it is not hard to imagine how this option is unique, and represents one extraordinary point of strength for us.



LED LIGHT

LED lighting is undoubtedly the smartest solution in terms of energy saving. Expected life time of over 20.000 hours, represents the most remarkable advantage of LED light bulbs.



HUSH SYSTEM

An exclusive sound deadening technology that effectively reduces sound levels by over 35%, compared to typical range hoods.



DIM-LIGHT

The Dimmer allows you to adjust the brightness of the light as you wish. With Elica, lighting is customized in a discreet, personal and practical way, in order to contribute in creating the perfect kitchen atmosphere.



TOP PERFORMANCE

Excellent performance for models equipped with this plus. High fume capturing capacity with an average aspiration range of 600 CFM's. With a noise level between 60-65 db(A) at maximum speed (reference point varies based on the hood category).



CFM REDUCTION

CFM Reduction System (CRS), is an exclusive feature to Elica hoods, which enables the installer to reduce the maximum blower CFM, to meet local code requirements.

Accessories

Optional Recirculating Kit

CODE: KIT02665

Optional Long Chimney Extension

CODE: KIT0100317