



## STONEY WALL-MOUNT

## TECHNE PLUS SERIES



LED light with dimmer



Sensor Technology

The pairing of glass and brilliant stainless steel, make it ideal for any kitchen and will blend perfectly with other appliances. Perimeter Aspiration technology helps to achieve Top Performance by delivering more powerful and efficient fume extraction, plus it reduces noise. Available in 30" & 36" widths, Stoney includes a powerful 600 CFM blower, LED lighting with dimmable feature and glass capacitive touch controls. Like all of the hoods from Elica Techne Plus, Stoney is also meant for anyone who loves high-technological solutions, where Elica hoods and cooktops automatically communicate with one another, recognizing quality and quantity of cooking vapors, thus accordingly adjusting performance levels.

### Dimensions | Models

30" W x 19 11/16" D x 5" H | EST630SS  
STONEY 30"

36" W x 19 11/16" D x 5" H | EST636SS  
STONEY 36"



AMBIENT LIGHT



TOP PERFORMANCE



WIRELESS CONNECTIVITY



DIM-LIGHT



HUSH



CRS  
CFM REDUCTION



SENSOR TECHNOLOGY



PERIMETER ASPIRATION

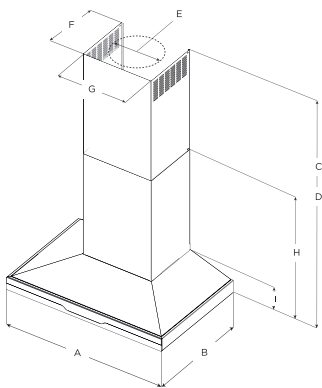


LED LIGHT

FEATURES

Size (in) & Type	30" or 36" wide Wall-Mount Chimney
Finish	Stainless Steel with Black Glass
Controls	Touch Control 3S+ Booster
Illumination	2 LED Premium Dimmable Lights
Installation Type	Ducted or Recirculating with Installation Kit (sold separately)
Blower Type	Speed 1: 160 CFMs Speed 2: 280 CFMs Speed 3: 470 CFMs Speed 4: 600 CFMs
Noise (sones):	Min: 1.53, Max: 6 Sones
Filter Type	Aluminum Mesh Filter + Perimeter Aspiration
Duct Transition	Top Round 6"
Electrical	120V - 60 Hz 460 Watt at 3.7 Amp

Line Drawing



	Models	
	EST630SS	EST636SS
A	30" (76 cm)	36" (91.2 cm)
B	19 1/2" (50.5 cm)	
C*	Max: 42 1/2" (107.3 cm) Min: 28 3/4" (71.8 cm)	
D**	Max: 38 5/8" (98.3 cm) Min: 24 3/8" (62.5 cm)	
E	6" (15.2 cm)	
F	10 3/8" (26.8 cm)	
G	13 1/2" (33.1 cm)	
H	23 1/8" (60.8 cm)	
I	4 5/8" (12.6 cm)	

\* Ductless (Recirculating) version  
\*\* Ducted version

PLUS



AMBIENT LIGHT

Elica studies on hood lighting leaves no stone unturned. Here we have thought about products not only able to light the cooktop, but the entire kitchen space. And so the hood is transformed: from a kitchen appliance to a true lighting element. Considering the design of Elica hoods, it is not hard to imagine how this option is unique, and represents one extraordinary point of strength for us.



DIM-LIGHT

The Dimmer allows you to adjust the brightness of the light as you wish. With Elica, lighting is customized in a discreet, personal and practical way, in order to contribute in creating the perfect kitchen atmosphere.



SENSOR TECHNOLOGY

Some Elica range hoods come equipped with a sensor that measures temperature and the amount of moisture, grease and vapors generated by the cooktop. The hood analyzes the readings and automatically adjusts the blower to achieve top ventilating performance and perfect air quality.



TOP PERFORMANCE

Excellent performance for models equipped with this plus. High fume capturing capacity with an average aspiration range of 600 CFMs. With a noise level between 60-65 db(A) at maximum speed (reference point varies based on the hood category).



HUSH SYSTEM

An exclusive sound deadening technology that effectively reduces sound levels by over 35%, compared to typical range hoods.



PERIMETER ASPIRATION

First developed by Elica, this technology literally turned the market 45 degrees and opened the door to hoods that could be mounted on the wall like picture frames. The technology draws air through a narrowed channel around a face plate, which increases suction, without increasing blower speed or energy consumption.



WIRELESS CONNECTIVITY

The wireless connection ensures constant communication between the induction cooktop and the cooker hood. Usage information of the cooktop (activated zones, cooking power and presence of pots) are transmitted in real time to the hood that processes them. The hood then selects automatically the optimum operating level to ensure a better quality of the air inside the kitchen. In this way it is possible to focus entirely on the food preparation. The hood turns off automatically when it is no longer necessary extracting cooking fumes, thus avoiding a waste of energy.



CFM REDUCTION

CFM Reduction System (CRS), is an exclusive feature to Elica hoods, which enables the installer to reduce the maximum blower CFM, to meet local code requirements.



LED LIGHT

LED lighting is undoubtedly the smartest solution in terms of energy saving. Expected life time of over 20,000 hours, represents the most remarkable advantage of LED light bulbs.

Accessories

Optional Recirculating Kit

CODE: KIT0141925

Optional Long Chimney Extension

CODE: KIT02785

Consumable parts

Charcoal filter Replacement

CODE: KIT0141918

Grease Filter Replacement

CODE: GF04YB

Consumable parts are sold in units of one (1). Order accordingly.