

# **FISHER & PAYKEL**

## **WARMING DRAWER**

---

WDV2-30 & WDV1-30 models

## **CHAUFFE-PLATS**

---

Modèles WDV2-30 et WDV1-30

**INSTALLATION GUIDE / USER GUIDE**  
**GUIDE D'INSTALLATION / GUIDE D'UTILISATION**

**US CA**



# A MESSAGE TO OUR CUSTOMERS

Thank you for selecting this Fisher & Paykel warming drawer. Because of its unique features, we have developed this manual. It contains valuable information on how to properly install, use and maintain your new warming drawer for years of safe and enjoyable use.

For your convenience, product questions can be answered by a Fisher & Paykel Customer Care Representative by phone:1-888-936-7872, or email: [usa.customercare@fisherpaykel.com](mailto:usa.customercare@fisherpaykel.com)

**NOTE:** Please write the model number, code, and serial number on this page for references (located at the front right hand side of the body of the drawer).

MODEL NUMBER \_\_\_\_\_ CODE \_\_\_\_\_ SERIAL NUMBER \_\_\_\_\_

**NOTE:** Inspect the product to verify that there is no shipping damage. If any damage is detected, call the shipper and initiate a damage claim. Fisher & Paykel is not responsible for shipping damage.

*DO NOT discard any packing material (box, pallet, straps) until the unit has been inspected.*

## **WARNING**

The warming drawer is not intended to be used in conjunction with water. **DO NOT** fill the drawer or warming cavity with water. Doing so could create a shock hazard, resulting in a possible injury.

## **WARNING**

**TO REDUCE THE RISK OF INJURY TO PERSONS IN THE EVENT OF A WARMING DRAWER GREASE FIRE, OBSERVE THE FOLLOWING: SMOTHER FLAMES** with a close-fitting lid, cookie sheet, or metal tray, then turn off the Warming Drawer. **BE CAREFUL TO PREVENT BURNS.** If the flames do not go out immediately **EVACUATE AND CALL THE FIRE DEPARTMENT. NEVER PICK UP A FLAMING PAN – You may be burned. DO NOT USE WATER, including wet dishcloths or towels – a violent steam explosion will result.** Use an extinguisher **ONLY** if:

1. You know you have a Class ABC extinguisher, and you already know how to operate it.
2. The fire is small and contained in the area where it started.
3. The fire department is being called.
4. You can fight the fire with your back to an exit.

## **WARNING**

**DO NOT** use water on grease fires. Turn **OFF** the warming drawer, then smother the fire with baking soda or use a dry chemical or foam-type fire extinguisher.

**PLEASE RETAIN THIS MANUAL FOR FUTURE REFERENCE.**

SAFETY PRACTICES AND PRECAUTIONS	3
INSTALLATION INSTRUCTIONS	
Specifications	6
Mounting Installation	7
Custom Panel Installation (WDUI/WDVI)	9
Cabinet Installation	10
FEATURES	12
OPERATING INSTRUCTIONS	13
CARE AND MAINTENANCE	
Cleaning the warming drawer	14
Removing the drawer	15
Replacing the drawer	16
TEMPERATURE SETTINGS	17
WARRANTY AND SERVICE	18

# SAFETY PRACTICES AND PRECAUTIONS

## READ AND UNDERSTAND THESE PRECAUTIONS

- Read these precautions and the entire manual thoroughly before installation or use. This will help to reduce the risk of fire, electric shock, or injury to persons.
- Remove all packaging materials from your appliance.
- Install according to instructions.
- Be sure to have a qualified service technician install and ground this appliance.
- Plug into rated outlet: 120 Volts AC, 5 amp min., 15 amp maximum circuit requirement.

## PREHEATING

The warming drawer is designed to keep cooked foods warm for extended periods of time. The drawer must be pre-heated before use on high (see 'Operating instructions'). If the warming drawer isn't preheated, the internal temperature of the food being warmed could fall below the minimum safe level and bacteria could develop. Always preheat the drawer according to the instructions described in this manual

## **WARNING:**

**Do not store items of interest to children in, above or around any appliance. Children could be seriously injured if they should climb onto the appliance to reach these items.**

- Children should not be left alone or unattended in an area where appliances are in use. They should never be allowed to turn knobs, push buttons, sit or stand on any part of an appliance.
- Children in walkers, or children crawling can be attracted to the door handle and may grab and open the warming drawer. This can result in injury from the door being pulled open on a child, or severe burns if it is in use and hot.  
**Be certain to use only dry pot holders:** Moist or damp pot holders on hot surfaces may cause burns from steam. Do not use a towel or other bulky cloth in place of pot holders.
- Never store anything in the warming drawer. Flammable materials can catch fire, plastic items may melt or ignite and other types of items could be ruined.
- Do not hang articles from any part of the appliance or place anything against the drawer. Some fabrics are quite flammable and could catch on fire.
- For safety reasons and to avoid damage to the appliance, never sit, stand, or lean on the warming drawer door.
- For personal safety, wear proper apparel. Loose fitting garments or hanging sleeves should never be worn while using this appliance. Some synthetic fabrics are highly flammable and should not be worn while using this appliance.
- Do not use aluminum foil to line any part of the warming drawer. Using a foil liner could result in a fire hazard, or the obstruction of the flow of heat and ventilation air. Foil is an excellent heat insulator and heat will be trapped underneath it. This trapped heat can upset the performance of the warming drawer parts.

## **WARNING:**

**This appliance is designed for warming food. Based on safety considerations, never use the warming drawer to warm or heat a room.**

- As with any cooking or heating appliance, never leave the warming drawer unattended when warming food, this could be a fire hazard.
- Only certain types of glass, heat proof glass-ceramic, ceramic, earthenware or glazes are suitable for use in this warming drawer. Utensils that are not thermally heat safe may break with sudden temperature changes.

# SAFETY PRACTICES AND PRECAUTIONS

US  
CA

- Never heat unopened containers, a build up of pressure may cause the container to burst.
- Grease is flammable, avoid letting grease deposits collect in the warming drawer, clean up spillage.
- 120 Volts AC, 5 amp min., 15 amp maximum circuit requirement.
- DO NOT use water on grease fires. Turn OFF the warming drawer, then smother the fire with baking soda or use a dry chemical or foam-type fire extinguisher.
- When opening the drawer while keeping sauces (eg tomato sauce) warm, the drawer must be opened slowly to avoid spillage.
- Use care when opening a hot warming drawer; to avoid severe burns, open slowly, allow the hot air or steam to escape before reaching in to remove or replace any foods.
- Do not repair or replace any part of this appliance unless it is specifically recommended in this manual. All other servicing should be referred to a qualified Service Technician. Service Technicians must disconnect the power supply before servicing this appliance.
- When using the warming drawer: DO NOT TOUCH THE INTERIOR SURFACES or the exterior area immediately surrounding the door until it has had sufficient time to cool to avoid burn injuries.
- Clean the warming drawer with caution. Avoid steam burns; do not use a wet sponge or cloth to clean the appliance while it is hot. Some cleaners produce noxious fumes if applied to a hot surface. Follow directions provided by the cleaner manufacturer.
- Be sure all the controls are turned off and the appliance is cool before using any type of aerosol cleaner on or around the appliance. The chemical that produces the spraying action could, in the presence of heat, ignite or cause metal parts to corrode.
- Do not touch the heating element or interior surfaces of the warming drawer, even if they appear dark in color. They may still be hot enough to cause burn injury. Allow sufficient time to cool.
- Do not allow flammable materials which may ignite to come in contact with the hot heating element or the interior surface of the warming drawer until the unit has had sufficient time to cool.



# 6 INSTALLATION INSTRUCTIONS

US  
CA

## SPECIFICATIONS

The cabinet depth from the outer edge of the face frame to the inside back of the cabinet or wall should be at least 24" (see Fig. 1).

The warming drawer should be installed into a base cabinet with minimum outside dimensions of 13-1/4" high by 30" wide by 24" deep.

Power supply required: 120Volts AC; 5 amp min., 15 amp maximum circuit requirement.

### CUT OUT DIMENSIONS

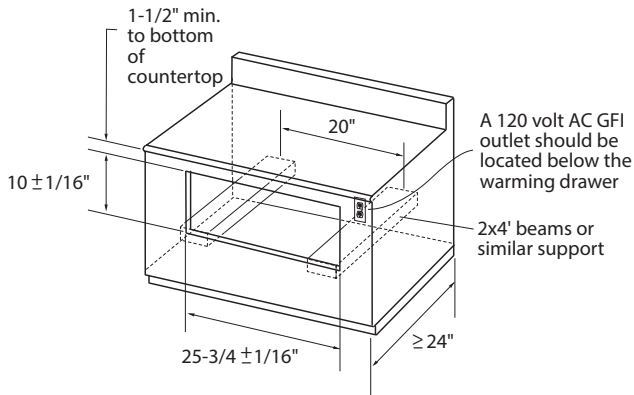


Fig. 1

### WARMING DRAWER DIMENSIONS (FRONT VIEW)

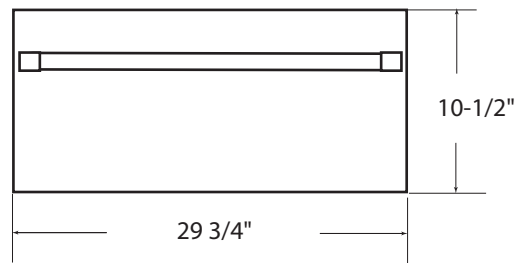


Fig. 2

### WDV2-30 DIMENSIONS (SIDE VIEW)

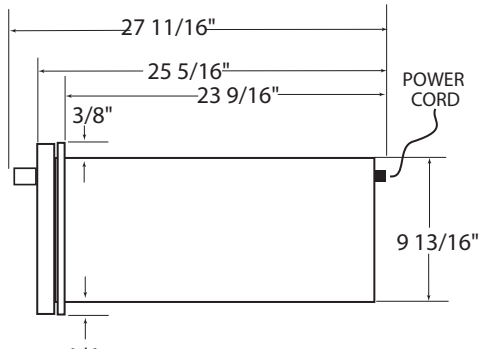


Fig. 3

### WDVI-30 DIMENSIONS (SIDE VIEW)

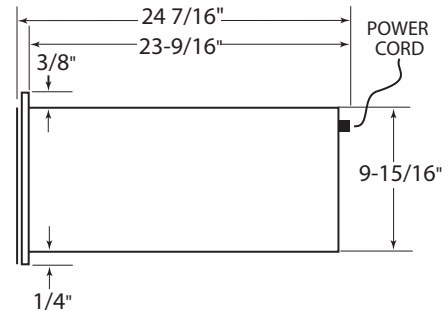


Fig. 4

### WDVI-30 DIMENSIONS (with Custom Panel)

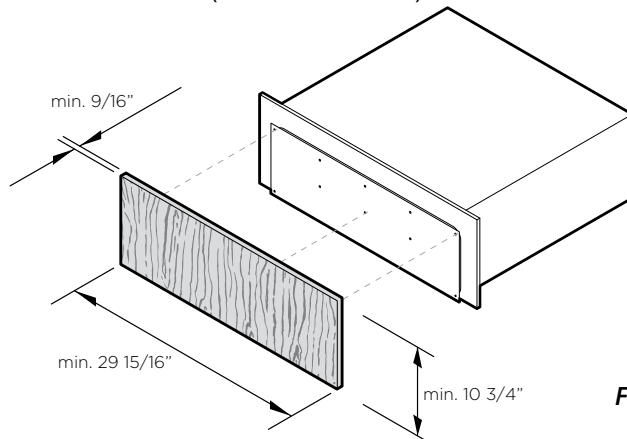


Fig. 4a



# INSTALLATION INSTRUCTIONS

## MOUNTING INSTALLATION

The lower rear corners of the cabinet need to provide proper support to the back of the warming drawer and the anti-tip mounting clips. A 120 volt AC outlet should be located no further than 36 inches from the back center of the warming drawer.

The bottom rear section of the cabinet should be made of solid plywood or two 2x4 beams. It holds the anti-tip mounting clips and supports the weight of the warming drawer, which is 90 lbs. (see Figs. 5 and 6). If two 2x4 beams are used, the distance between their centers must be 20" to be able to secure the Warming Drawer.

### STEP 1

Use the screws provided and attach the mounting clips. They must be installed for anti-tip safety to the bottom support at the back. See placement dimensions in the figures below (see Figs. 5 and 6).

### STEP 2

Plug power cord into AC outlet. Slide the body onto the anti-tip mounting clips (see Fig. 6).

### STEP 3

Use the two supplied 1-1/2" long screws through the two embossed holes (see Fig. 7) to secure the front of the warming drawer.

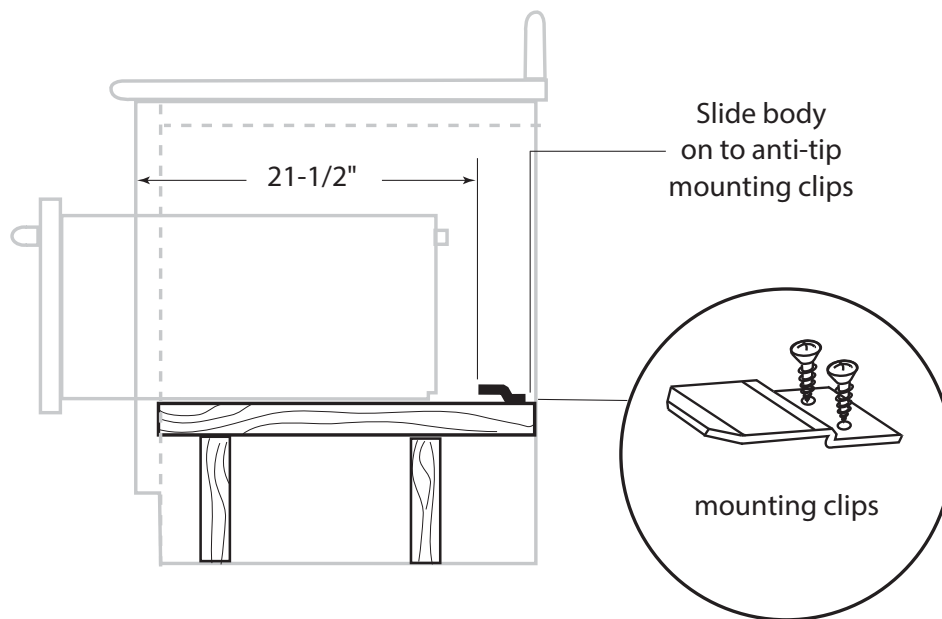
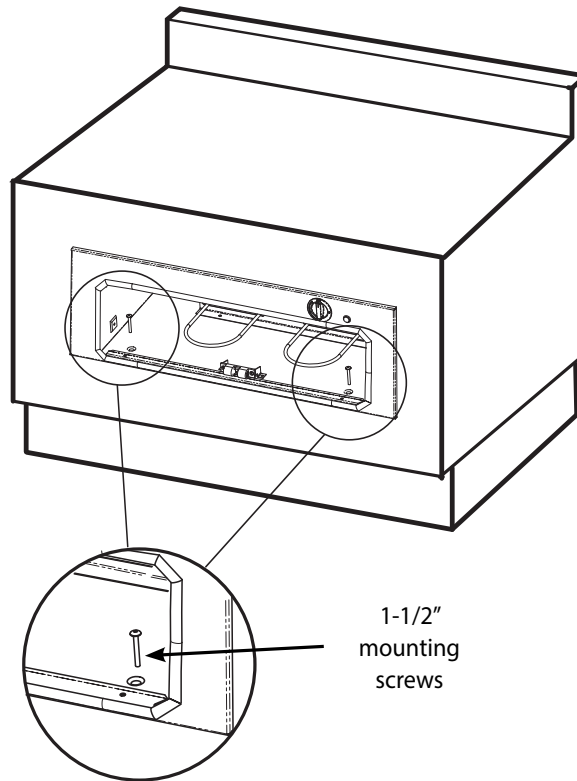
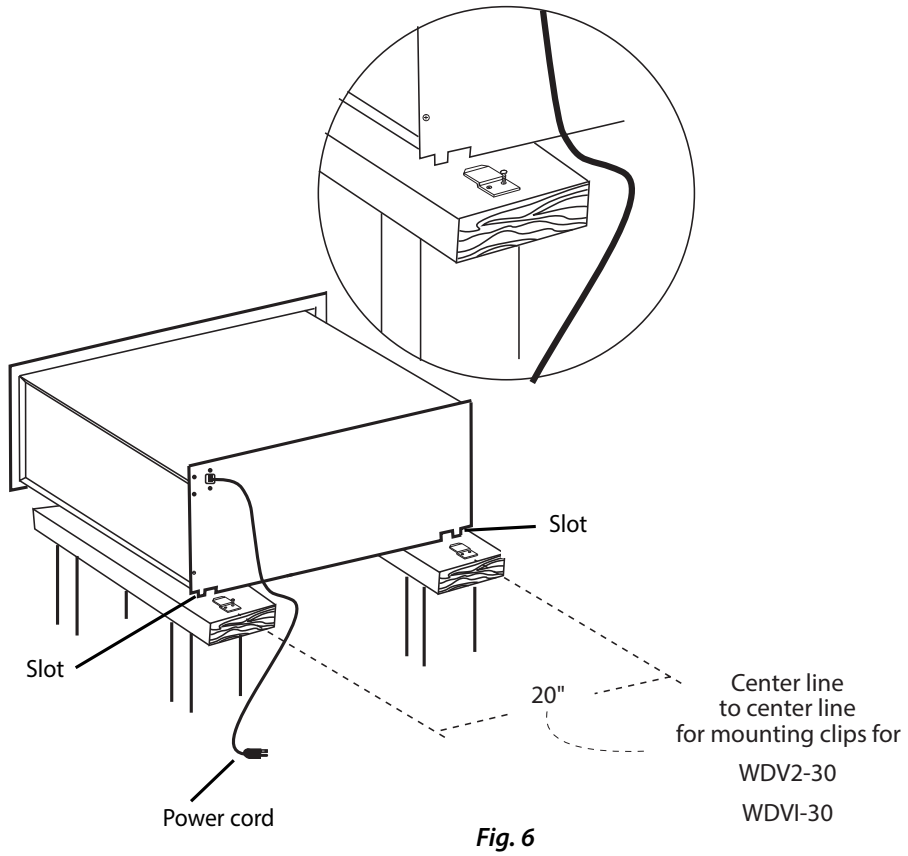


Fig. 5

# 8 INSTALLATION INSTRUCTIONS

US  
CA



# INSTALLATION INSTRUCTIONS

## CUSTOM PANEL INSTALLATION OF THE INTEGRATED WARMING DRAWER (WDVI-30)

### STEP 1

Remove drawer as per instructions (see section 'Care and maintenance').

### STEP 2

Check the dimensions of the front face (see Fig. 8).

### STEP 3

Cut the custom panel to the desired dimensions, knowing that the panel must cover the paper front template plus 1/8" on all four sides for a good presentation. The thickness of the custom panel must be greater than 9/16" to allow for clearance for the tips of the screws holding the drawer when the custom panel is mounted.

### STEP 4

Center the provided paper front template on the back of the custom panel to drill or cut the clearance areas for the hardware holding the drawer. (Note: the drill sizes and callouts are on the template.)

### STEP 5

Fasten the custom panel to the front face with the supplied screws as shown in Fig. 8.

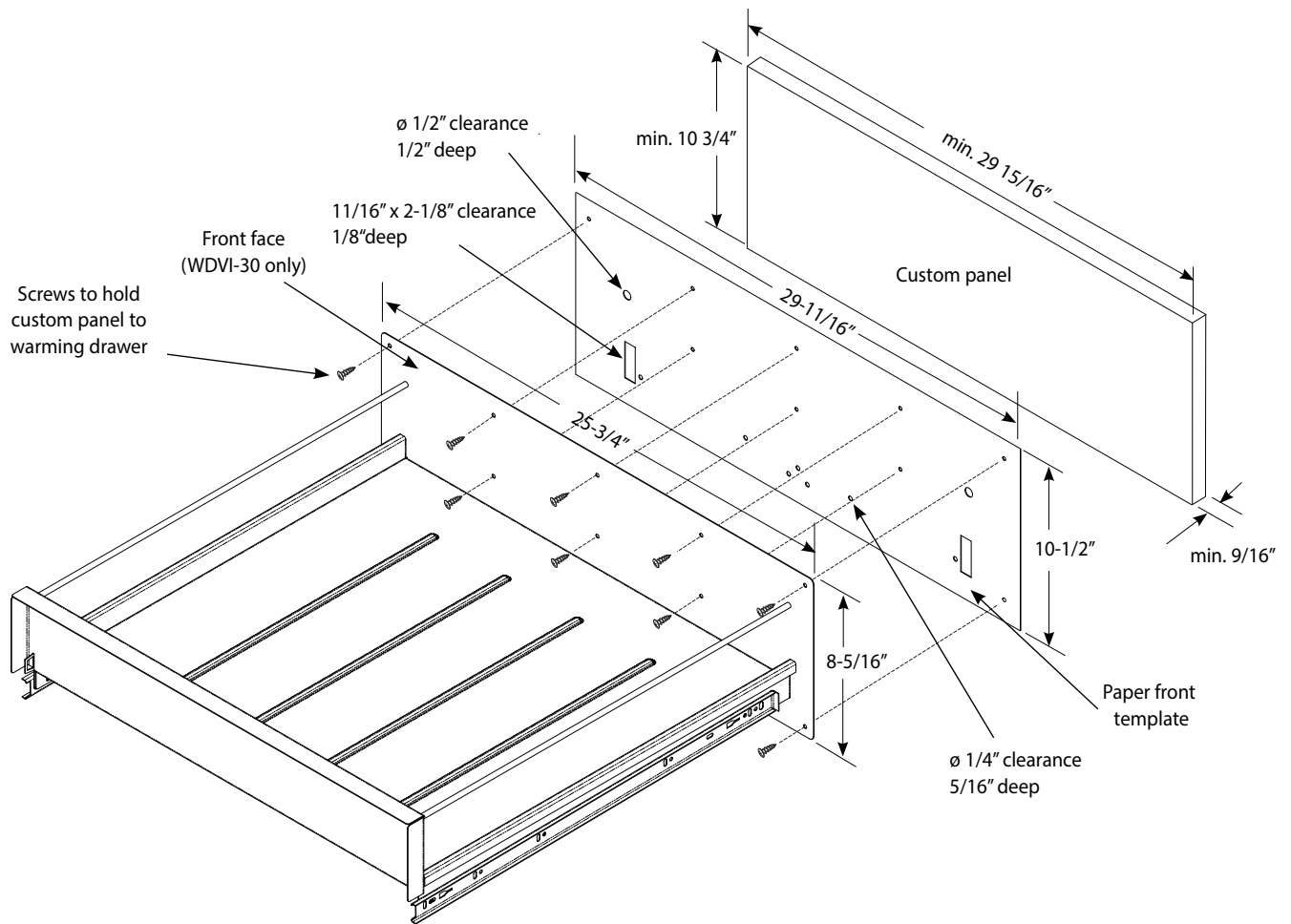


Fig. 8

# 10 INSTALLATION INSTRUCTIONS

US  
CA

## CABINET INSTALLATION

### DOUBLE wall oven and warming drawer Installation

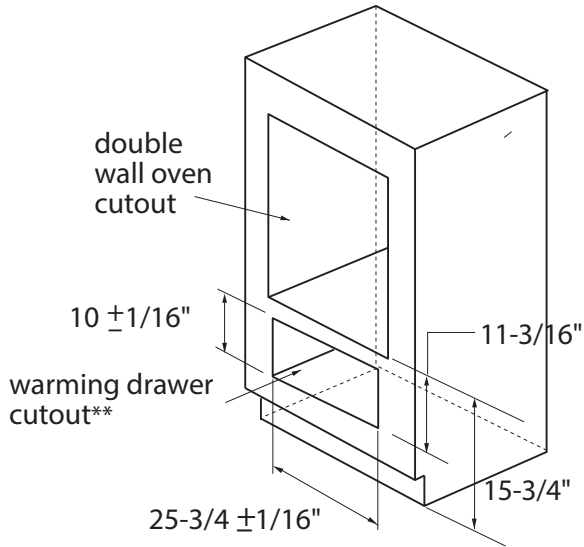


Fig. 9

### SINGLE wall oven and microwave and warming drawer Installation

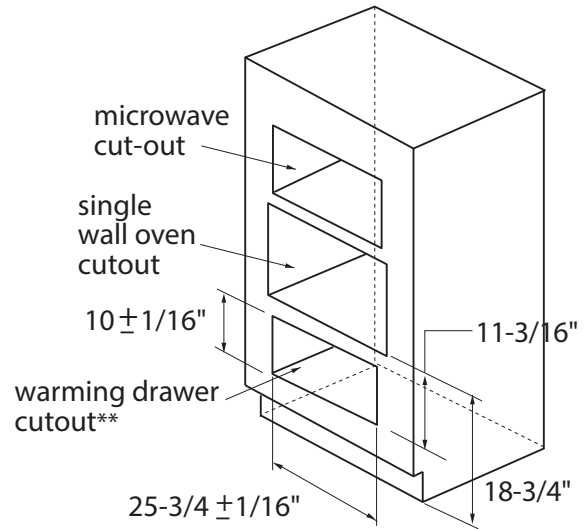
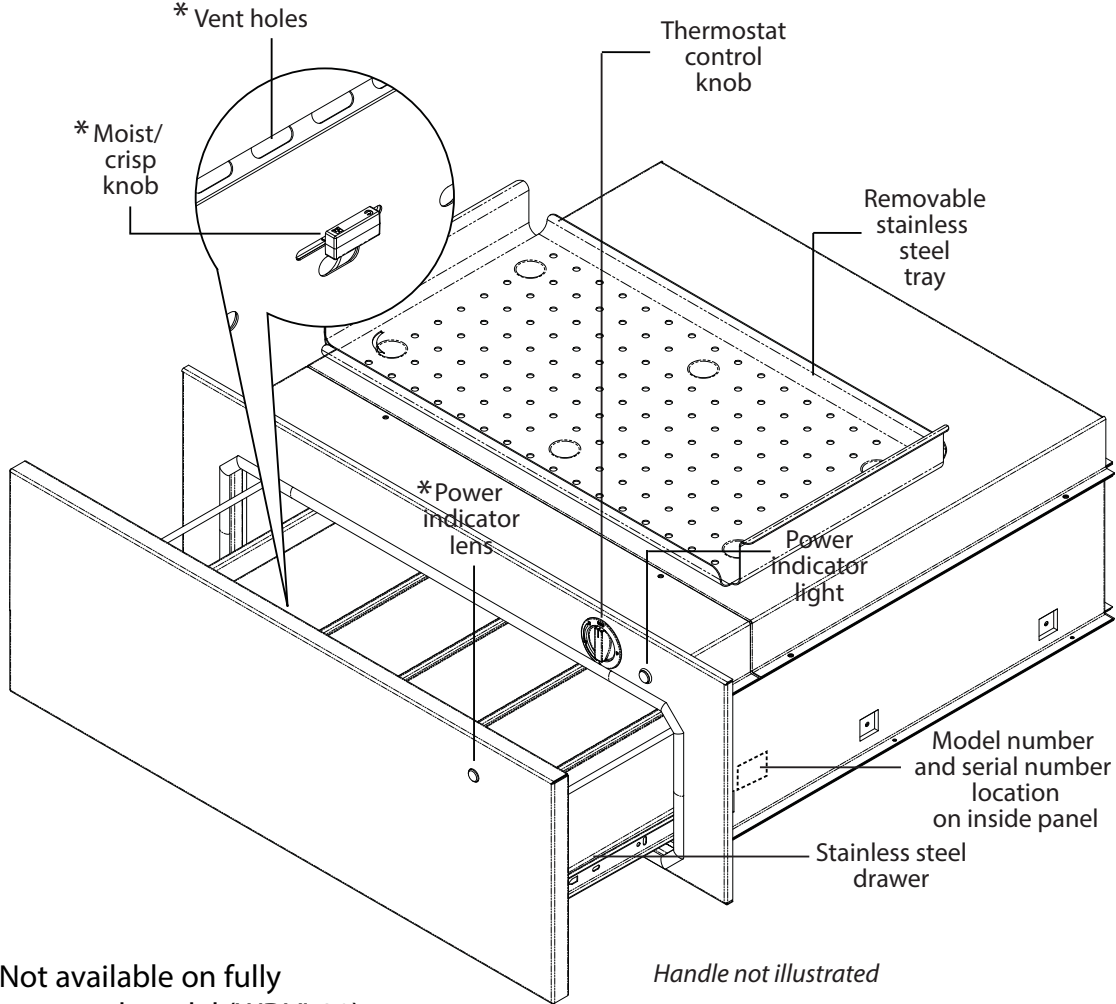


Fig. 10

\*\*The floor of the opening should be constructed of plywood strong enough to support the weight of the oven (or use 2x4 constructions – see Fig. 1)





\* Not available on fully integrated model (WDVI-30).

Fig. 11

## OPERATIONAL GUIDE

The warming drawer is designed to keep previously cooked foods at a safe, warm temperature, for extended periods of time, when operated correctly. It is not designed to cook or reheat food. The warming drawer should be preheated according to the chart below prior to inserting the food to be warmed. Food may be kept up to two hours in the warming drawer. Failure to preheat could result in unsafe food temperatures, which could accelerate the formation of bacteria in the food being kept warm. The dial on the top right corner of the unit is the on/off and temperature control adjustment. When the dial is turned clockwise from the off position to the proof position, the unit will maintain a temperature of approximately 100°F. By rotating the dial clockwise to the high position, the drawer will reach a temperature of approximately 250°F.

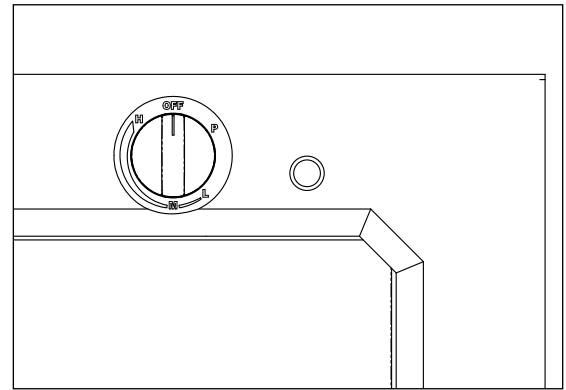


Fig. 12

**To Use:** Turn the thermostat dial to a temperature setting;

H–High

M–Medium

L– Low

P–Proofing

- If you will be using the tray, preheat it while preheating the warming drawer.
- Preheat any empty serving dishes to be used, while preheating the drawer.
- Add cooked, hot food in its cooking container or heat-safe container.
- Aluminum foil may be used to cover food containers.

## CAUTION

**Do not use plastic containers or plastic wrap. They can melt if in direct contact with the drawer or a hot utensil and if these items melt, they may adhere to the drawer and may be unremovable. Use only heat-safe dishes.**

## PREHEAT TIME AND TEMPERATURE SELECTOR:

Proofing.....Do not preheat	90°-110°
Low.....Preheat 10 min.	140°-170°
Medium ....Preheat 15 min.	170°-200°
High.....Preheat 20 min.	200°-250°

- Always preheat on high, then turn the knob to the desired setting.
- To keep several different foods hot together, set the temperature to the food needing the highest setting. Place items needing highest setting on the bottom of the drawer and food needing less heat on the tray.

## PROOFING YEAST DOUGH

Place dough in a greased jelly roll or half sheet pan or oiled bowl, no taller than five inches in height. Turn dough over to grease all areas of the dough, cover with a damp clean cloth. Place in the center of warming drawer and turn the control knob to proofing (P). Check at 45 minutes to one hour. Dough should double in size. Shape dough, place in baking pan, and put in warming drawer for second rising, about 30 to 45 minutes; add extra time if needed.

## CLEANING THE WARMING DRAWER

- Be careful cleaning any part of this appliance, particularly the drawer box and back of the drawer face. All parts of the drawer can be cleaned with a hot soapy damp cloth, rinsed, dried and buffed with a heavy pile cloth. Always try this first, as it is the mildest cleaning procedure.
  - Be sure the warming drawer is turned off and the appliance is cool before using any type of aerosol cleaner on or around the appliance. The chemical that produces the spraying action could, in the presence of heat, ignite or cause metal parts to corrode.
  - Use the mildest cleaning procedure first. Some brands of cleaners are harsher than others, read their directions. Try on a small area first.
  - To avoid marring the surface always rub the metal finishes in the direction of the polish grain lines. The cleaner will be more effective when used in the direction of the polish lines.
  - Use only clean sponges, soft cloths, paper towels, plastic or non-metal soap pads for cleaning or scouring, as recommended in this section. (**Caution:** some soap pads can scratch).
  - Be sure to rinse all parts thoroughly and to wipe dry to avoid water marks.
  - Remove food particles after every use.
1. **Drawer:** Clean the drawer with warm soapy damp sponge or cloth.
  2. **Drawer front:** Shine with stainless steel cleaner in direction of grain.
  3. **Gasket:** Clean with hot water only. Do not rub. Press a dry towel on the gasket to dry. Do not remove or damage the mesh.
  4. **Knobs:** The on/off temperature knob may be removed to be cleaned. The moist/crisp knob, however, should never be removed. ***Be aware that the pull off force of the knobs will decrease and a loose knob could become a choking hazard for small children.***
  5. **Light:** Clean with damp cloth or sponge.
  6. **Element:** Care should be taken when cleaning the heating element. Only clean the element when the unit is cool. Use warm soapy water on damp cloth.
  7. **Stainless steel tray:** Can be removed and cleaned with hot soapy water at sink.



## REMOVING THE DRAWER

Turn the unit off. Be sure the drawer is cool and no food items or trays are in the drawer. Never attempt to remove the drawer while the unit is on or warm.

1. To remove the drawer, first remove plates, trays, etc., from the drawer.
2. Pull the drawer open towards you all the way until it reaches the stop position (Fig. 13).
3. Unlock the drawer by lifting up the tab on the left hand side (Fig. 14) and pressing down the tab on the right hand side (Fig. 15) while pulling the drawer open at the same time (Fig. 16).

### **Note:**

*Removing the drawer for the very first time does require extra force.*

4. Keep pulling the drawer open until the slides are separated.

*Illustration only-handles may vary*



*Fig. 13*



*Fig. 14*



*Fig. 15*



*Fig. 16*

## REPLACING THE DRAWER

### WARNING

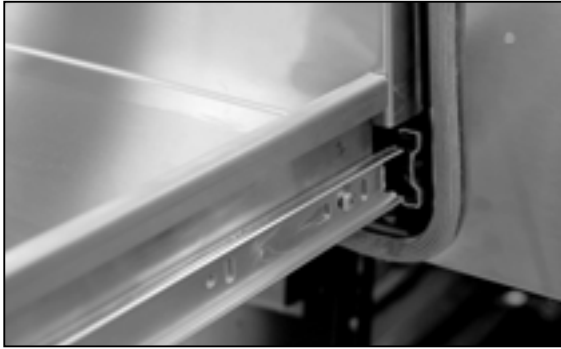
With the drawer removed, the heating element is exposed. Never turn the unit on while the drawer is removed. Never let children play near or touch the warming drawer while it is not safely installed. Push the slides back into the cabinet while the drawer is removed to prevent accidents.

1. To reinstall the drawer, push the slides fully inside.
2. Position the drawer in front of the cavity and align the slides (Fig. 17).
3. With the slides aligned, push the drawer all the way inside (Fig. 18).

#### NOTE:

*When the drawer is re-installed, the slides may feel stiff and hard to push in. This is normal. Pull the drawer back out to realign the rollers. The drawer should now feel smooth and free.*

*Illustration only-handles may vary*



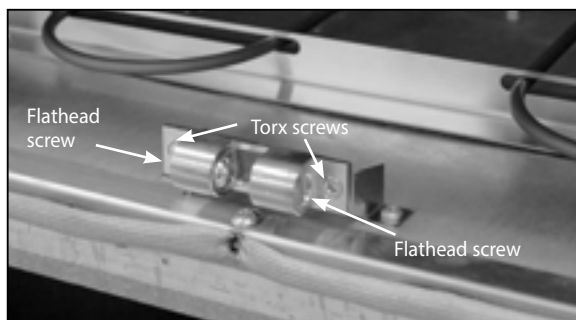
*Fig. 17*



*Fig. 18*

## ADJUSTING THE LATCH

The latch can be repositioned vertically by adjusting the two torx screws. The force necessary to open and close the drawer can be changed by adjusting the two flathead screws (Fig. 19).



*Fig. 19*

# TEMPERATURE SETTINGS

## SUGGESTED TEMPERATURES TO KEEP FOODS HOT

<i>FOOD</i>	<i>TEMPERATURE</i>	<i>SLIDE KNOB POSITION</i>	<i>COVERED/ UNCOVERED</i>
<i>Beef**</i>			
<i>Rare</i>	<i>Low</i>	<i>Moist</i>	<i>Covered</i>
<i>Medium</i>	<i>Med</i>	<i>Moist</i>	<i>Covered</i>
<i>Well Done</i>	<i>Med</i>	<i>Moist</i>	<i>Covered</i>
<i>Bacon</i>	<i>High</i>	<i>Crisp</i>	<i>Uncovered</i>
<i>Bread Dough</i>	<i>Proofing</i>	<i>Moist</i>	<i>Covered</i>
<i>Casseroles</i>	<i>Med</i>	<i>Moist</i>	<i>Covered</i>
<i>Chips</i>	<i>High</i>	<i>Crisp</i>	<i>Uncovered</i>
<i>Cooked Cereal</i>	<i>Med</i>	<i>Moist</i>	<i>Covered</i>
<i>Eggs</i>	<i>Med</i>	<i>Moist</i>	<i>Covered</i>
<i>Fish, Seafood</i>	<i>Med</i>	<i>Moist</i>	<i>Covered</i>
<i>Fried Foods (all)</i>	<i>High</i>	<i>Crisp</i>	<i>Uncovered</i>
<i>Fruit</i>	<i>Med</i>	<i>Moist</i>	<i>Covered</i>
<i>Garlic Bread, Rolls</i>	<i>Low</i>	<i>Moist</i>	<i>Covered</i>
<i>Gravy, Cream Sauces</i>	<i>Med</i>	<i>Moist</i>	<i>Uncovered</i>
<i>Ham</i>	<i>Med</i>	<i>Moist</i>	<i>Covered</i>
<i>Lamb</i>	<i>Med</i>	<i>Moist</i>	<i>Covered</i>
<i>Meat Loaf</i>	<i>Med</i>	<i>Moist</i>	<i>Covered</i>
<i>Pancakes, Waffles</i>	<i>High</i>	<i>Moist</i>	<i>Uncovered</i>
<i>Pies, one crust</i>	<i>Med</i>	<i>Moist</i>	<i>Uncovered</i>
<i>Pies, two crust</i>	<i>Med</i>	<i>Crisp</i>	<i>Uncovered</i>
<i>Pizza</i>	<i>Med</i>	<i>Crisp</i>	<i>Uncovered</i>
<i>Pork</i>	<i>Med</i>	<i>Moist</i>	<i>Covered</i>
<i>Potatoes, baked</i>	<i>High</i>	<i>Crisp</i>	<i>Uncovered</i>
<i>Potatoes, hash browns</i>	<i>High</i>	<i>Crisp</i>	<i>Uncovered</i>
<i>Potatoes, mashed</i>	<i>Med</i>	<i>Moist</i>	<i>Covered</i>
<i>Poultry</i>	<i>High</i>	<i>Moist</i>	<i>Uncovered</i>
<i>Vegetables</i>	<i>Med</i>	<i>Moist</i>	<i>Covered</i>

\*\*USDA/FSIS recommends an internal temperature of 145° F as the minimum doneness for beef. Use a portable meat thermometer to check internal temperatures.

## Before you call for service or assistance ...

Check the things you can do yourself. Refer to the installation instructions and your user guide and check that:

- 1 your product is correctly installed
- 2 you are familiar with its normal operation.

If after checking these points you still need assistance or parts, please refer to the Service & Warranty document for warranty details and your nearest Authorized Service Center, Customer Care, or contact us through our website [www.fisherpaykel.com](http://www.fisherpaykel.com).



# À L'INTENTION DE NOS CLIENTS

Nous vous remercions d'avoir choisi ce chauffe-plats Fisher & Paykel. Nous avons conçu ce manuel pour expliquer les fonctions uniques de cet appareil. Il contient des informations extrêmement utiles sur la façon correcte d'installer et de faire fonctionner votre nouveau chauffe-plats et d'en faire l'entretien. Vous pourrez ainsi en profiter pendant des années en toute sécurité.

Si vous avez des questions au sujet de notre produit, communiquez avec un représentant du centre de service à la clientèle Fisher & Paykel par téléphone : 1-888-936-7872, ou par courriel : [usa.customercare@fisherpaykel.com](mailto:usa.customercare@fisherpaykel.com)

**REMARQUE :** Veuillez noter les numéros de modèle, code, et de série sur cette page pour information (situé sur le panneau droit intérieur de la cavité du tiroir derrière le côté du tiroir droit)

NUMÉRO DE MODÈLE \_\_\_\_\_ CODE \_\_\_\_\_ NUMÉRO DE SÉRIE \_\_\_\_\_

**REMARQUE :** Inspecter le produit pour vérifier qu'il n'a pas été endommagé pendant l'expédition. En cas de dommages, contacter le transporteur et entamer une déclaration pour dommage. Fisher & Paykel n'est en aucun cas responsable des dommages pendant l'expédition.

*Ne pas jeter le matériau d'emballage (boîte, palette, sangles) avant d'avoir inspecté l'unité.*

## **AVERTISSEMENT**

Le chauffe-plats n'est pas conçu pour être utilisé avec de l'eau. **NE remplissez PAS le tiroir ou le logement du chauffe-plats avec de l'eau.** Cela pourrait créer un risque de choc et causer des blessures.

## **AVERTISSEMENT**

**POUR RÉDUIRE LES RISQUES DE BLESSURES EN CAS DE FEU DE GRAISSE SUR LA CUISINIÈRE, RESPECTEZ LES CONSIGNES SUIVANTES : ÉTOUFFEZ LES FLAMMES à l'aide d'un couvercle hermétique, d'une plaque à biscuits ou d'un plateau métallique, puis éteignez le brûleur. ÉVITEZ DE VOUS BRÛLER. Si les flammes ne s'éteignent pas immédiatement, ÉVACUEZ LES LIEUX ET APPELEZ LES POMPIERS. NE SOULEVEZ JAMAIS UN RÉCIPIENT EN FEU – Vous pourriez vous brûler. N'UTILISEZ PAS D'EAU, y compris des serviettes mouillées – une explosion de vapeur violente pourrait en résulter. Utilisez un extincteur SEULEMENT si :**

- 1 Vous êtes sûr qu'il s'agit d'un extincteur de classe ABC et savez comment le faire fonctionner.
- 2 Le feu est limité et restreint à la zone où il s'est déclenché.
- 3 Le service des pompiers a été appelé.
- 4 Vous pouvez combattre l'incendie le dos tourné vers une sortie.

## **AVERTISSEMENT**

**NE VERSEZ PAS d'eau sur les feux de graisse. Éteignez le chauffe-plats, puis étouffez le feu avec du bicarbonate de soude ou à l'aide d'un extincteur à poudre ou à mousse.**

# TABLE DES MATIÈRES

MESURES DE SÉCURITÉ ET DE PRÉCAUTION	22
INSTRUCTIONS DE MONTAGE	
Spécifications	24
Montage et Installation	25
Installation de Panneau Personnalisée (WDUI/WDVI)	27
Préparation des Armoires	28
CARACTERISTIQUES DU CHAUFFE-PLATS	29
GUIDE OPÉRATIONNEL	30
INSTRUCTIONS D'ENTRETIEN	
Nettoyage du chauffe-plats	31
Retrait du tiroir	32
Remplacement du tiroir	33
RÉGLAGES DE TEMPÉRATURE	34
GARANTIE ET SERVICE	35

## VEUILLEZ LIRE ET BIEN ASSIMILER CES CONSIGNES

- Veuillez lire attentivement ces consignes et tout le manuel d'installation avant d'installer ou d'utiliser votre nouvel appareil. Ceci vous permettra de réduire les risques d'incendie, de chocs électriques ou de blessures.
- Retirez tout le matériel d'emballage de l'appareil.
- Procédez à l'installation conformément aux instructions.
- Confiez la mise à la terre de l'appareil à un technicien qualifié.
- Branchez l'appareil dans une prise de 120 V C.A., 5 A min., 15 A maximum requis.

## PRÉCHAUFFAGE

Le chauffe-plats est conçu pour garder les aliments cuits à une température chaude pendant de longues périodes. Il doit être préchauffé avant toute utilisation (voir 'Guide opérationnel'). Il doit être préchauffé pendant une demi-heure au moins à température maximum. Si le chauffe-plats n'est pas préchauffé, la température interne des aliments chauffés pourrait baisser à un niveau dangereux propice au développement des bactéries. Préchauffez toujours le chauffe-plats selon les instructions du manuel.

## AVERTISSEMENT

**Évitez de ranger des articles pouvant attirer les enfants dans l'appareil, au-dessus ou à proximité. Les enfants pourraient être blessés sérieusement s'ils grimpent sur l'appareil pour atteindre ces articles.**

- Les enfants ne doivent pas être laissés seuls ou sans surveillance dans un endroit où l'on utilise ce type d'appareil. Il ne faut jamais les laisser tourner ou enfoncez des boutons, ni s'asseoir ou se tenir debout sur l'appareil.
- Des enfants en marchette ou à quatre pattes peuvent être attirés par la poignée ronde de la porte et la saisir pour ouvrir le chauffe-plats. Ils pourraient alors se blesser ou être brûlés sérieusement si l'appareil est en fonctionnement et qu'il est chaud.  
**Utilisez seulement des gants isolants secs:** Les gants humides sur des surfaces chaudes peuvent provoquer des brûlures causées par la vapeur. N'utilisez pas de serviette ou de chiffon épais à la place de gants isolants.
- Ne rangez jamais rien dans le chauffe-plats. Des matériaux inflammables pourraient prendre feu, des éléments en plastique pourraient fondre ou s'enflammer et d'autres types d'objets pourraient être détruits.
- Ne suspendez aucun article sur l'appareil et ne placez aucun objet contre lui. Certains matériaux sont extrêmement inflammables et pourraient prendre feu.
- Pour des raisons de sécurité et pour ne pas endommager l'appareil, évitez de vous asseoir, de vous tenir debout ou de vous appuyer contre la porte du chauffe-plats.
- Pour assurer votre propre sécurité, habillez-vous de façon appropriée. Ne portez jamais de vêtements ou de manches lâches lorsque vous utilisez l'appareil. Certains tissus synthétiques sont extrêmement inflammables et ne doivent pas être portés pendant l'utilisation de l'appareil.
- Ne recouvrez aucune partie du chauffe-plats avec du papier aluminium. L'utilisation de papier aluminium peut créer un risque d'incendie ou empêcher la circulation de la chaleur et de l'air de ventilation. C'est un excellent isolant thermique qui peut emprisonner la chaleur. Celle-ci pourrait alors affecter la performance des pièces du chauffe-plats.





## AVERTISSEMENT

Cet appareil est conçu pour réchauffer les aliments. Pour des raisons de sécurité, n'utilisez jamais le chauffe-plats pour chauffer une pièce.

- Comme pour tout appareil de cuisson ou de chauffage, ne laissez jamais le chauffe-plats sans surveillance quand vous réchauffez de la nourriture, car il y a risque d'incendie.
- Seuls certains types d'ustensiles en verre, vitrocéramique calorifugée, céramique, poterie ou émaillés sont appropriés pour être utilisés dans ce chauffe-plats. Les ustensiles non thermorésistants peuvent se briser à la suite de changements de température soudains.
- Ne chauffez pas de récipients hermétiques car ils pourraient exploser suite à une accumulation de pression.
- Circuit de 120 V c.a., 5 A min., 15 A maximum requis.
- La graisse est inflammable. Évitez donc de laisser des dépôts de graisse s'accumuler dans le chauffe-plats et nettoyez tout déversement.
- NE VERSEZ PAS d'eau sur les feux de graisse. Éteignez le chauffe-plats, puis étouffez le feu avec du bicarbonate de soude ou à l'aide d'un extincteur à poudre ou à mousse.
- Si vous ouvrez le tiroir et qu'il contient des sauces chaudes, de la sauce tomate, etc., ouvrez-le lentement pour éviter tout déversement.
- Faites attention quand vous ouvrez un chauffe-plats chaud; pour éviter tout risque de brûlures graves, ouvrez-le lentement en laissant s'échapper l'air chaud ou la vapeur avant de retirer ou d'introduire des aliments.
- Ne réparez pas ni ne remplacez aucune pièce de cet appareil, sauf indication contraire du manuel. Tout autre travail d'entretien doit être confié à un technicien qualifié. Celui-ci doit débrancher le bloc d'alimentation avant de travailler sur l'appareil.
- Durant l'utilisation du chauffe-plats : afin d'éviter de vous brûler, NE TOUCHEZ PAS LES SURFACES INTÉRIEURES ni la surface extérieure autour de la porte tant qu'elles n'ont pas refroidi.
- Nettoyez le chauffe-plats avec précaution. Évitez de vous brûler à la vapeur : n'utilisez pas d'éponge ou de chiffon mouillé pour nettoyer l'appareil alors qu'il est encore chaud. Certains produits de nettoyage produisent des vapeurs nocives s'ils sont appliqués à une surface chaude. Suivez le mode d'emploi fourni par le fabricant du produit de nettoyage.
- Assurez-vous que les boutons de l'appareil sont fermés et que celui-ci est froid avant d'utiliser des nettoyeurs aérosol à proximité. L'élément chimique qui produit le jet de vaporisation peut, en présence de chaleur, s'enflammer ou provoquer la corrosion des parties métalliques.
- Ne touchez par l'élément chauffant ni les surfaces intérieures du chauffe-plats. Même si leur couleur semble sombre, ils peuvent encore être assez chauds pour causer des brûlures. Laissez-leur le temps de refroidir.
- Ne mettez pas de matériaux inflammables pouvant s'enflammer en contact avec l'élément chauffant ou la surface intérieure du chauffe-plats tant que l'appareil n'a pas refroidi.

## SPÉCIFICATIONS

La profondeur du boîtier, à partir de la bordure extérieure de la face avant jusqu'au fond du boîtier ou au mur, doit mesurer 61 cm (24") minimum (voir Fig.1).

Le chauffe-plats doit être installé dans un boîtier dont les dimensions extérieures minimum doivent être de 33,5 cm (13-1/4") de haut sur 76 cm (30") de large sur 61 cm (24") de profondeur.

Alimentation requise : 120 V c.a.; 5 A min., 15 A maximum requis.

## DIMENSIONS DES DÉCOUPES

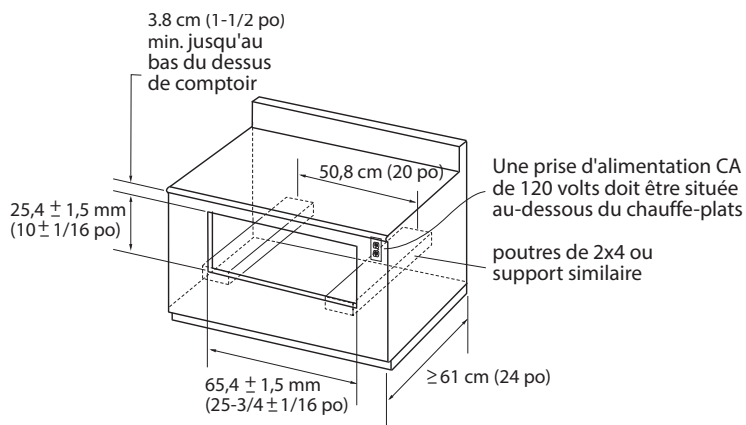


Fig. 1

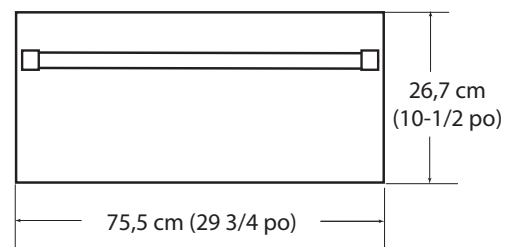
DIMENSIONS DU CHAUFFE-PLATS  
(VUE AVANT)

Fig. 2

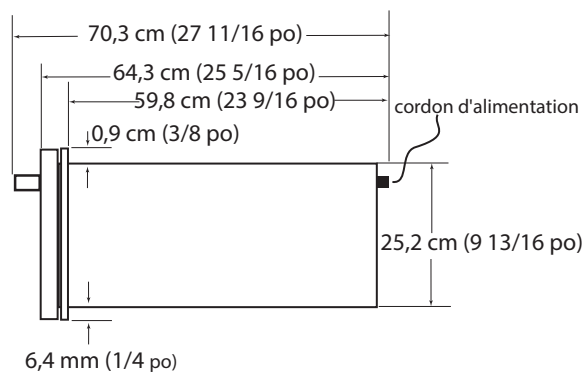
DIMENSIONS DU CHAUFFE-PLATS  
WDV2-30 (VUE LATÉRALE)

Fig. 3

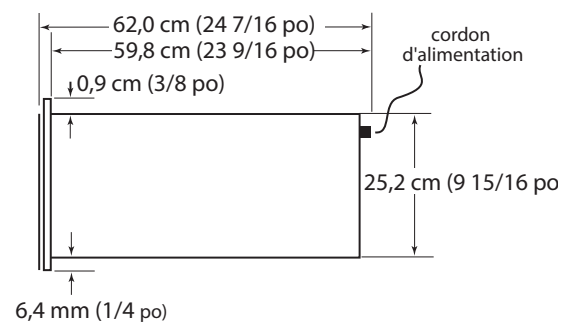
DIMENSIONS DU CHAUFFE-PLATS  
WDVI-30 (VUE LATÉRALE)

Fig. 4

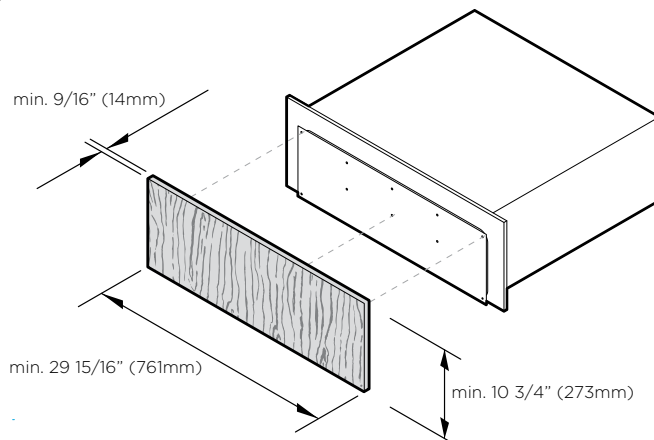
DIMENSIONS DU CHAUFFE-PLATS WDVI-30  
(LE PANNEAU PERSONNALISÉ)

Fig. 4a

## MONTAGE ET INSTALLATION

Les coins inférieurs arrière du boîtier doivent soutenir correctement l'arrière du chauffe-plats et les fixations antibasculement. Une prise c.a. de 120 V doit être située à moins de 92 cm (36") du centre arrière du chauffe-plats.

La section arrière inférieure de l'élément doit être fabriquée en contreplaqué plein ou de deux poutres 2 x 4. Il comporte les clips de montage antibasculement et supporte le poids du tiroir chauffant, à savoir 90 lbs. (voir Fig. 5 et 6). Si on utilise deux poutres de 2 x 4, la distance entre leurs centres doit être de 20" pour pouvoir fixer le tiroir chauffant.

### ÉTAPE 1

Fixez, à l'aide des vis fournies, les fixations de montage qui doivent être installées sur le support inférieur, à l'arrière, pour empêcher tout basculement. Voir les mesures de placement à la figure ci-dessous(voir Fig. 5 et 6).

### ÉTAPE 2

Brancher le cordon d'alimentation dans une prise c.a. Faire glisser le corps sur les clips de montage antibasculement (voir Fig. 6).

### ÉTAPE 3

Utiliser les deux vis 1-1/2" fournies au travers des deux trous marqués (voir Fig. 7) pour fixer le devant du tiroir chauffant.

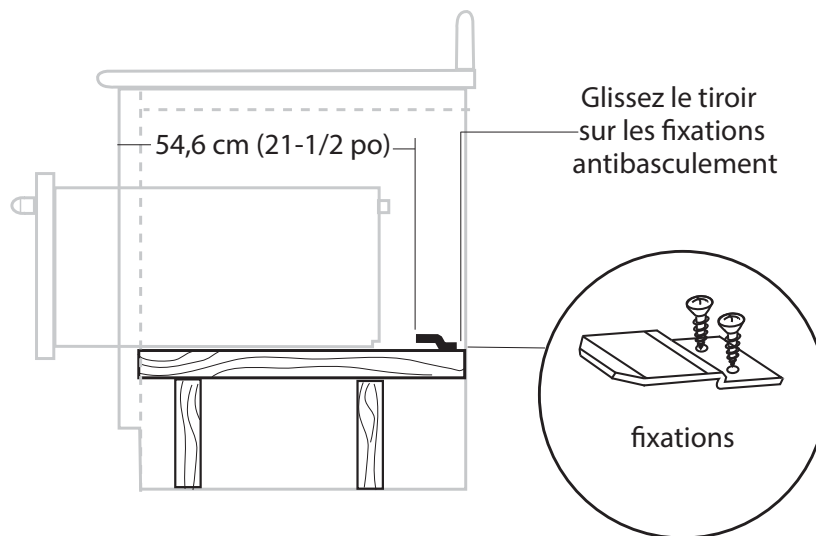


Fig. 5

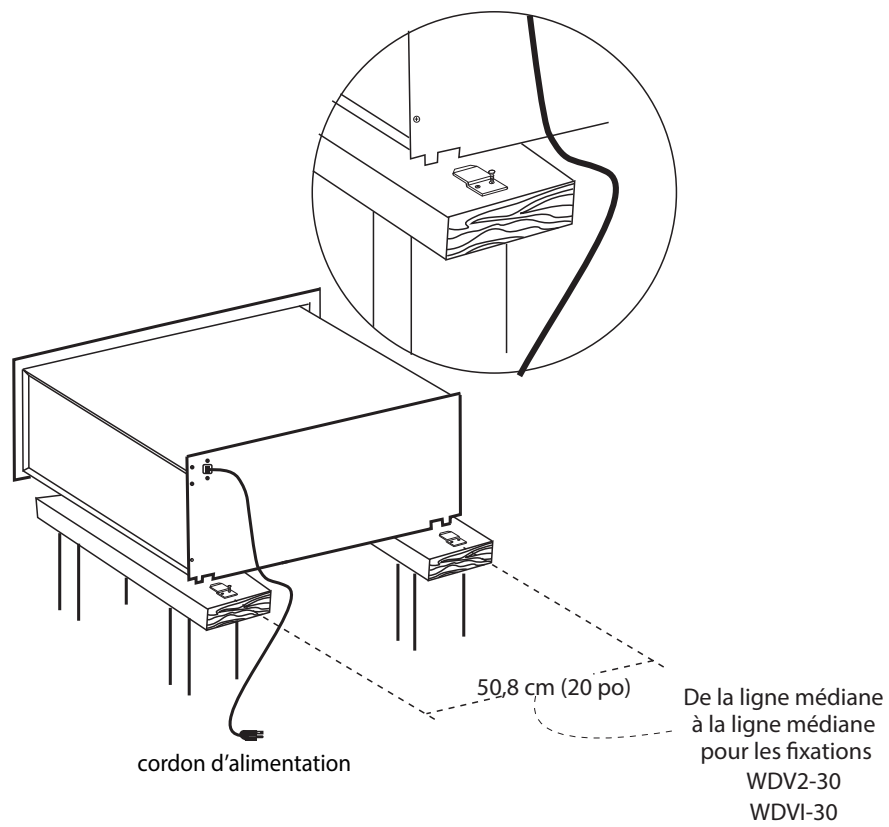


Fig. 6

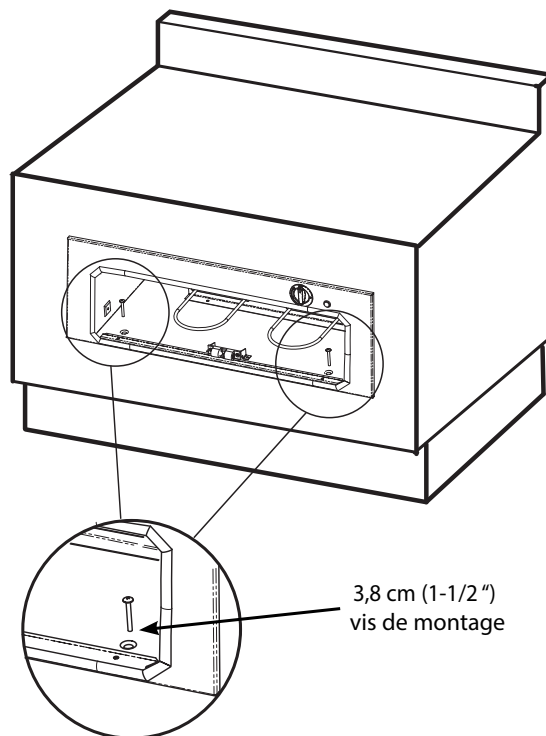


Fig. 7

## INSTALLATION DE PANNEAU PERSONNALISÉE DU TIROIR CHAUFFANT INTÉGRÉ (WDUI/WDVI)

### ÉTAPE 1

Retirez le chauffe-plats conformément aux instructions. (Voir la section 'Instructions d'entretien'.)

### ÉTAPE 2

Vérifiez les dimensions du gabarit devant. (Voir Fig. 8.)

### ÉTAPE 3

Découpez le panneau fait sur mesure selon les dimensions requises, sachant que le panneau doit recouvrir le gabarit avant et dépasser de 3,2 mm (1/8") sur les quatre côtés afin de soigner l'aspect d'ensemble. L'épaisseur du panneau doit être supérieure à 1,4 cm (9/16") afin d'assurer le dégagement nécessaire aux extrémités des vis retenant le chauffe-plats, une fois le panneau posé.

### ÉTAPE 4

Centrer le gabarit avant en papier fourni sur le dos du panneau personnalisé pour percer ou couper les zones à dégager pour la visserie maintenant le tiroir. (Remarque : les dimensions de perforation et les références se trouvent sur le gabarit.)

### ÉTAPE 5

Fixez le panneau à l'aide des vis fournies, tel qu'indiqué à la Fig. 8.

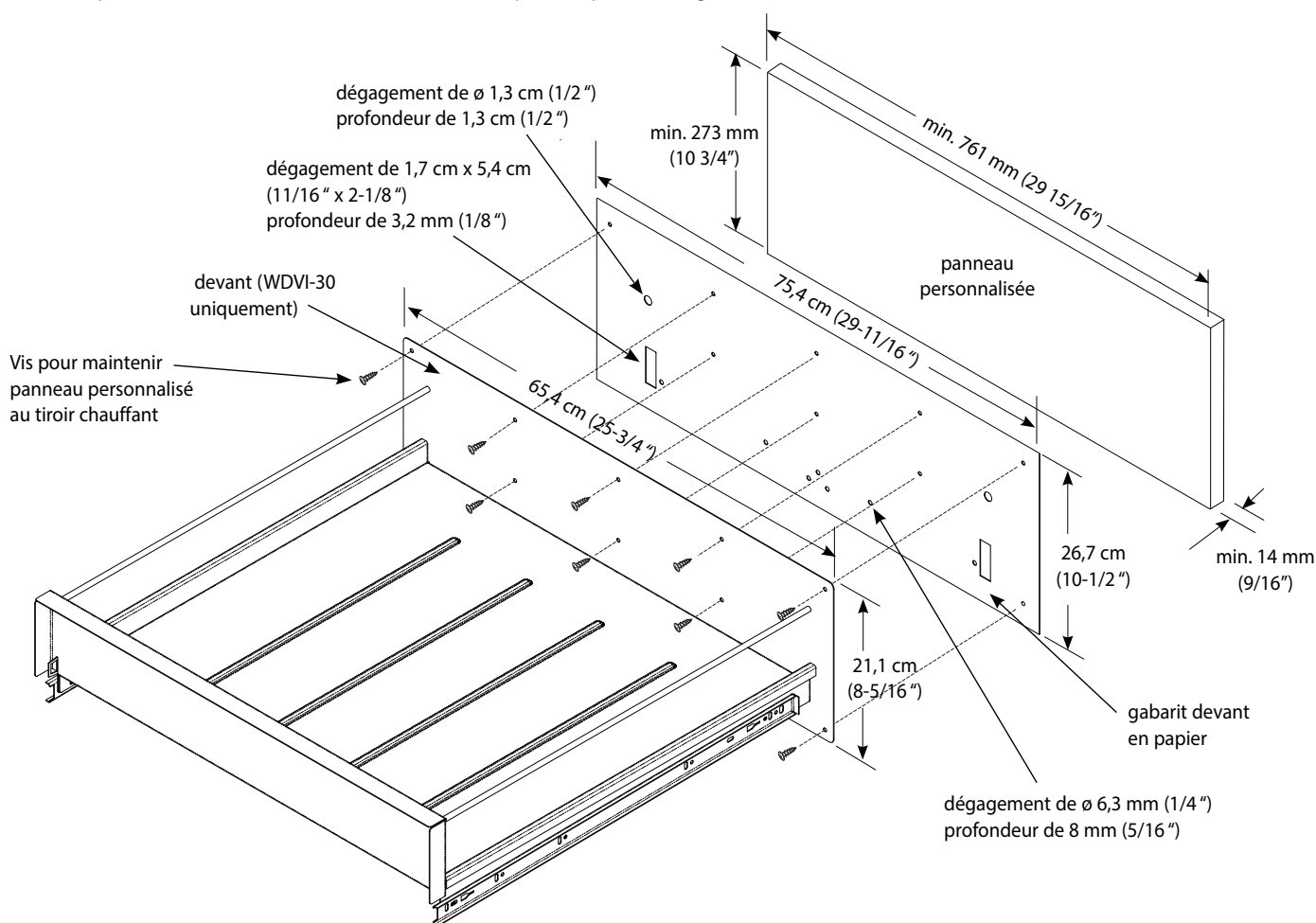


Fig. 8

## PRÉPARATION DES ARMOIRES

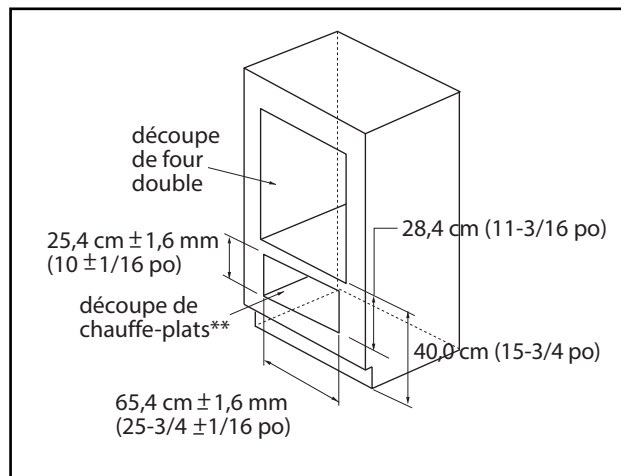
Four double et installation de  
chauffe-plats

Fig. 9

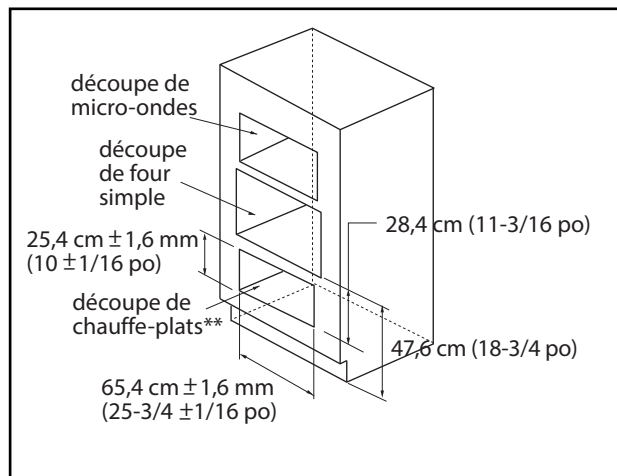
Four simple, micro-ondes et  
installation  
de chauffe-plats

Fig. 10

\*\* Le fonds de l'ouverture doit être fait d'un contre-plaqué assez solide pour supporter le poids du four et sa charge (ou utiliser une construction 2 x 4 – voir Fig. 1).

# CARACTÉRISTIQUES DU CHAUFFE-PLATS

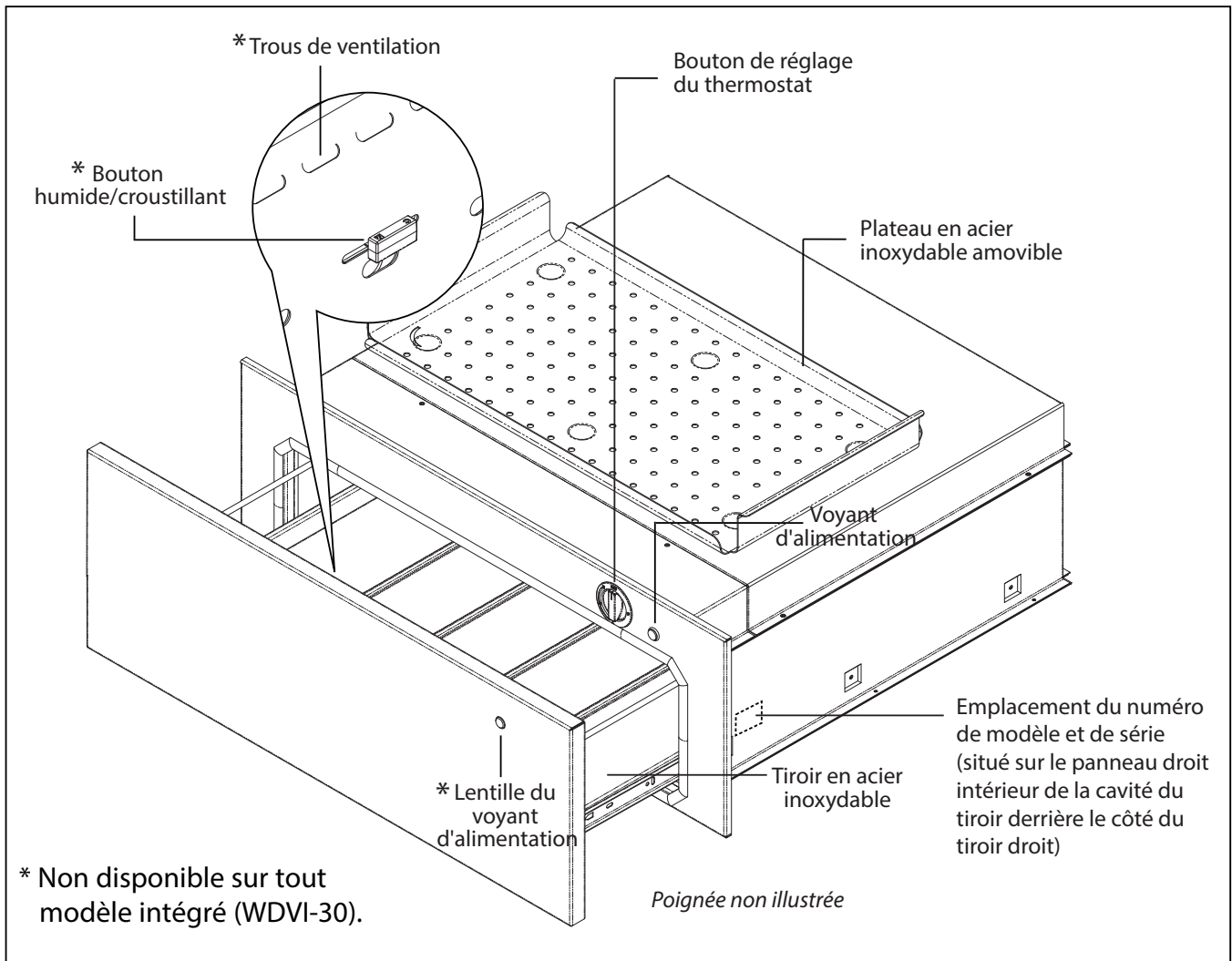


Fig. 11

**GUIDE OPÉRATIONNEL**

Le chauffe-plats est conçu pour garder les aliments cuits à une température chaude sécuritaire, pendant de longues périodes, à condition d'être utilisé correctement. Il n'est pas conçu pour cuire ou réchauffer les aliments. Le chauffe-plats doit être préchauffé tel qu'indiqué au tableau ci-dessous avant d'y placer des aliments à réchauffer. Les aliments peuvent être gardés dans le chauffe-plats jusqu'à deux heures. S'il n'est pas préchauffé, la température des aliments pourrait baisser à un niveau dangereux propice au développement des bactéries. Le bouton au coin supérieur droit de l'appareil permet de l'allumer et de l'éteindre et de régler le niveau de température. Tournez le bouton à droite, de la position éteint à la position basse température, pour maintenir une température d'environ 38 °C (100 °F). Tournez le bouton à droite, en position de température élevée, pour maintenir le chauffe-plats à environ 121°C (250 °F).

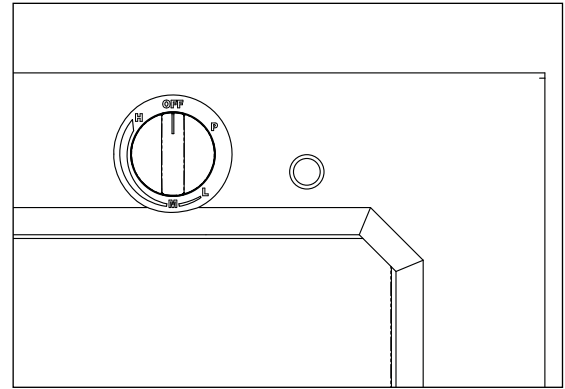


Fig. 12

**Utilisation :** Tournez le bouton thermostatique pour choisir un réglage de température;

High (Haut)                      Medium (Moyen)                      Low (Bas)                      Proofing (Apprêt)

- Si vous comptez utiliser le plateau, préchauffez-le tout en préchauffant le chauffe-plats.
- Préchauffez tous les plats vides devant être utilisés, tout en préchauffant le chauffe-plats.
- Ajoutez les aliments cuits dans leurs récipients de cuisson ou des récipients thermorésistants.
- Vous pouvez couvrir les récipients avec du papier d'aluminium.

**MISE EN GARDE**

N'utilisez pas de récipients en plastique ni de film de plastique. Ceux-ci peuvent fondre au contact du chauffe-plats ou d'un ustensile chaud et, dans ce cas, peuvent adhérer au chauffe-plats au point de ne pouvoir être enlevés.

Utilisez uniquement des plats thermorésistants.

**SÉLECTEUR DE TEMPÉRATURE :**

Plage de températures :

Apprêt (Proof).....Ne pas préchauffer	32 °C-43 °C	(90 °F -110 °F)
Bas (Low).....Préchauffer 10 min.	60 °C -77 °C	(140 °F-170 °F)
Moyen (Medium) ....Préchauffer 15 min.	77 °C -93 °C	(170 °F-200 °F)
Haut (High).....Préchauffer 20 min.	93 °C-121 °C	(200 °F -250 °F)

- Préchauffez toujours sur high (haut), puis tournez le bouton vers le réglage voulu.
- Pour conserver la chaleur de plusieurs aliments mis ensemble, réglez la température en fonction de celui qui exige la température la plus élevée. Placez les aliments nécessitant le réglage le plus élevé au fond du chauffe-plats et la nourriture exigeant le moins de chaleur sur le plateau

**APPRÊT LA PÂTE**

Placez la pâte dans un roulé à la gelée, une plaque à pâtisserie ou un bol huilé, pas plus haut que 12,7 cm (5"). Retournez la pâte pour bien la huiler et recouvrez-la d'un linge humide propre. Placez-la au centre du chauffe-plats et mettez le bouton de réglage sur proof (P)(apprêt). Vérifiez après 45 minutes ou une heure.

La pâte devrait avoir doublé de taille. Mettez la pâte en forme, placez-la dans un moule et mettez celui-ci dans le chauffe-plats pour la seconde fermentation, pendant environ 30 à 45 minutes; augmentez la durée au besoin.



## NETTOYAGE DU CHAUFFE-PLATS

- Faites attention quand vous nettoyez cet appareil, en particulier le boîtier du tiroir et l'arrière de la face du tiroir. Toutes les parties de l'appareil peuvent être nettoyées avec linge humide savonneux chaud, puis rincées, séchées et bien polies à l'aide d'un tissu à poils épais. Essayez cela en premier, c'est la façon la plus douce de le nettoyer.
  - Assurez-vous que le chauffe-plats est éteint et froid avant d'utiliser un nettoyant aérosol quelconque. L'élément chimique qui produit le jet de vaporisation peut, en présence de chaleur, s'enflammer ou provoquer la corrosion des parties métalliques.
  - Employez la méthode de nettoyage la plus douce d'abord. Certains produits de nettoyage sont plus durs que d'autres. Lisez leur mode d'emploi. Faites un essai sur une petite surface au préalable.
  - Pour ne pas gâcher la surface, frottez toujours la finition dans le sens du polissage, ce qui donne plus d'efficacité au nettoyant.
  - Pour nettoyer ou récurer, utilisez uniquement des éponges propres, des tissus doux, des essuie-tout, des tampons à récurer savonneux en plastique ou non-métalliques. (Attention : certains tampons à récurer peuvent égratigner la surface).
  - Rincez soigneusement et séchez en essuyant pour éviter de laisser des marques d'eau.
  - Retirez les particules alimentaires après chaque utilisation.
1. Tiroir : Nettoyez le chauffe-plats à l'aide d'une éponge ou d'un linge humide savonneux tiède.
  2. Devant du tiroir : Polissez au moyen d'un nettoyant pour acier inoxydable dans le sens du grain.
  3. Joint : Nettoyer à l'eau chaude uniquement. Ne pas frotter. Appuyer une serviette sèche sur le joint pour sécher. Ne pas retirer ni endommager le tamis.
  4. Boutons : Vous pouvez retirer le bouton de température pour le nettoyer. Toutefois, le bouton moist/crisp (humide/croustillant) ne doit jamais être retiré. En effet, il deviendra facile à décoller et de jeunes enfants pourraient s'étouffer avec.
  5. Lumière : Nettoyez à l'aide d'un chiffon ou d'une éponge humide.
  6. Élément chauffant : Faites attention lorsque vous nettoyez l'élément chauffant : ne le faites qu'une fois l'appareil refroidi. Utilisez de l'eau tiède savonneuse sur un chiffon humide.
  7. Plateau en acier inoxydable : Peut être retiré et nettoyé avec de l'eau savonneuse chaude dans l'évier.

## RETRAIT DU CHAUFFE-PLATS

Éteindre l'unité. Assurez-vous que le chauffe-plats est froid et qu'aucun aliment ni plateau ne se trouve à l'intérieur. N'essayez jamais de retirer le tiroir lorsque l'appareil est allumé ou chaud.

1. Pour retirer le tiroir, retirez d'abord les plats, plateaux, etc. du tiroir.
2. Ouvrez le tiroir complètement jusqu'à ce qu'il s'arrête (Fig.13).
3. Déverrouiller le tiroir en relevant la languette sur le côté gauche (Fig. 14) et en appuyant sur la languette sur le côté droit (Fig. 15). Ouvrir le tiroir en le tirant en même temps (Fig. 16).

### Remarque :

*Il faudra une force supplémentaire pour retirer le tiroir pour la première fois.*

4. Continuer à ouvrir le tiroir en le tirant jusqu'à séparation des coulisses.

*Illustration seulement-les poignées peuvent varier*



Fig. 13



Fig. 14



Fig. 15



Fig. 16

## REPLACEMENT DU TIROIR

### **AVERTISSEMENT**

Lorsque le tiroir est retiré, l'élément chauffant est exposé. N'allumez jamais l'appareil en l'absence du tiroir. Ne laissez jamais les enfants jouer à proximité du chauffe-plats ou le toucher lorsqu'il n'est pas installé de façon sécuritaire. Pour éviter tout risque d'accident, repoussez les glissières dans le boîtier lorsque le tiroir a été retiré.

1. Pour remettre le tiroir en place, pousser les coulisses complètement à l'intérieur.
2. Placer le tiroir devant la cavité et aligner les coulisses (Fig. 17).
3. Une fois les coulisses alignées, enfoncer complètement le tiroir à l'intérieur (Fig. 18).

### **REMARQUE :**

*Une fois le tiroir remis en place, les coulisses seront peut-être rigides et difficiles à enfoncer. Ceci est normal. Sortir le tiroir en le tirant pour réaligner les roulettes. Le tiroir devrait maintenant fonctionner régulièrement et librement.*

*Illustration seulement-les poignées peuvent varier*

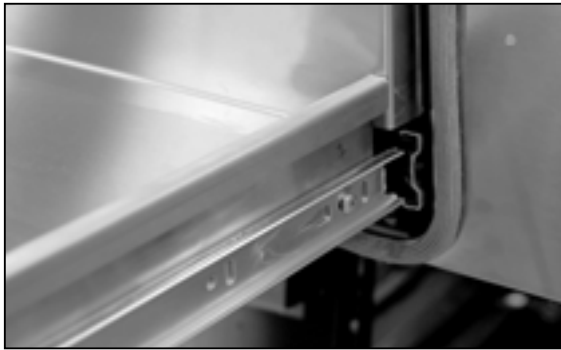


Fig. 17



Fig. 18

## AJUSTAGE DU LOQUET

Le loquet peut être repositionné verticalement en ajustant les deux vis Torx. La force nécessaire pour ouvrir et fermer le tiroir peut être modifiée en ajustant les deux vis tête plate (Fig. 19).

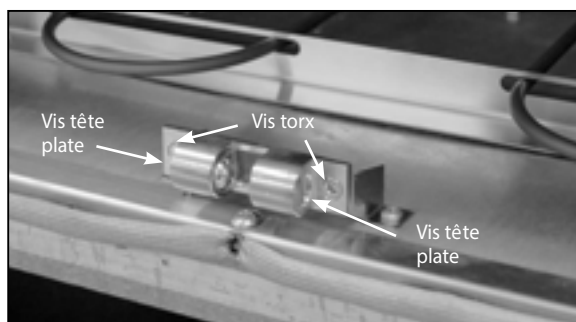


Fig. 19

## TEMPÉRATURES SUGGÉRÉES POUR GARDER LES ALIMENTS CHAUDS

<i>ALIMENTS</i>	<i>TEMPÉRATURE DE POSITION</i>	<i>GLISSEZ LE BOUTON</i>	<i>RECOUVERT/ DÉCOUVERT</i>
<i>Bœuf**</i>			
<i>Saignant</i>	<i>Bas</i>	<i>Humide</i>	<i>Recouvert</i>
<i>Demi-saignant</i>	<i>Moyen</i>	<i>Humide</i>	<i>Recouvert</i>
<i>À point</i>	<i>Moyen</i>	<i>Humide</i>	<i>Recouvert</i>
<i>Bacon</i>	<i>Haut</i>	<i>Croustillant</i>	<i>Découvert</i>
<i>Pâte à pain</i>	<i>Apprêt</i>	<i>Humide</i>	<i>Recouvert</i>
<i>Casseroles</i>	<i>Moyen</i>	<i>Humide</i>	<i>Recouvert</i>
<i>Croustilles</i>	<i>Haut</i>	<i>Croustillant</i>	<i>Découvert</i>
<i>Céréales cuites</i>	<i>Moyen</i>	<i>Humide</i>	<i>Recouvert</i>
<i>Œufs</i>	<i>Moyen</i>	<i>Humide</i>	<i>Recouvert</i>
<i>Poisson, fruits de mer</i>	<i>Moyen</i>	<i>Humide</i>	<i>Recouvert</i>
<i>Aliments frits (tous)</i>	<i>Haut</i>	<i>Croustillant</i>	<i>Découvert</i>
<i>Fruit</i>	<i>Moyen</i>	<i>Humide</i>	<i>Recouvert</i>
<i>Pain à l'ail, petits pains</i>	<i>Bas</i>	<i>Humide</i>	<i>Recouvert</i>
<i>Sauce d'arrosage, sauces à la crème</i>	<i>Moyen</i>	<i>Humide</i>	<i>Découvert</i>
<i>Jambon</i>	<i>Moyen</i>	<i>Humide</i>	<i>Recouvert</i>
<i>Agneau</i>	<i>Moyen</i>	<i>Humide</i>	<i>Recouvert</i>
<i>Pain de viande</i>	<i>Moyen</i>	<i>Humide</i>	<i>Recouvert</i>
<i>Crêpes, gaufres</i>	<i>Haut</i>	<i>Humide</i>	<i>Découvert</i>
<i>Tartes, une croûte</i>	<i>Moyen</i>	<i>Humide</i>	<i>Découvert</i>
<i>Tartes, deux croûtes</i>	<i>Moyen</i>	<i>Croustillant</i>	<i>Découvert</i>
<i>Pizza</i>	<i>Haut</i>	<i>Croustillant</i>	<i>Découvert</i>
<i>Porc</i>	<i>Moyen</i>	<i>Humide</i>	<i>Recouvert</i>
<i>Pommes de terre, au four</i>	<i>Haut</i>	<i>Croustillant</i>	<i>Découvert</i>
<i>Pommes de terre, pommes de terre rissolées</i>	<i>Haut</i>	<i>Croustillant</i>	<i>Découvert</i>
<i>Pommes de terre, purée</i>	<i>Moyen</i>	<i>Humide</i>	<i>Découvert</i>
<i>Volaille</i>	<i>Haut</i>	<i>Humide</i>	<i>Découvert</i>
<i>Légumes</i>	<i>Moyen</i>	<i>Humide</i>	<i>Recouvert</i>

\*\*L'USDA/FSIS recommande comme degré de cuisson minimum pour du bœuf une température interne de 63°C (145°F). Utilisez un thermomètre à viande portable pour vérifier la température interne.

## Avant d'appeler pour demander une réparation ou de l'assistance...

Vérifiez les points que vous pouvez contrôler vous-même. Consultez les instructions d'installation et le guide de l'utilisateur pour vous assurer que :

- 1 votre produit est installé correctement.
- 2 vous êtes familier avec son fonctionnement normal.

Si après la vérification de ces points, vous avez toujours besoin d'assistance ou d'une réparation, reportez-vous au document de service et de garantie pour obtenir les détails sur la garantie et les coordonnées d'un Centre de service autorisé ou de l'Assistance à la clientèle, ou contactez-nous par l'entremise de notre site Web, à l'adresse [www.fisherpaykel.com](http://www.fisherpaykel.com).





**FISHERPAYKEL.COM**

© Fisher & Paykel Appliances 2018. All rights reserved.

The product specifications in this booklet apply to the specific products and models described at the date of issue. Under our policy of continuous product improvement, these specifications may change at any time. You should therefore check with your Dealer to ensure this booklet correctly describes the product currently available.

© Fisher & Paykel Appliances 2018. Tous droits réservés.

Les caractéristiques de produit présentées dans ce livret s'appliquent aux modèles et produits spécifiques qui y sont décrits à la date de publication. Dans le cadre de notre politique d'amélioration en permanence de nos produits, ces caractéristiques peuvent être modifiées à tout moment. Nous vous recommandons de vérifier auprès de votre détaillant que ce livret décrit le produit actuellement disponible.

**US CA**

**599947E 01.18**