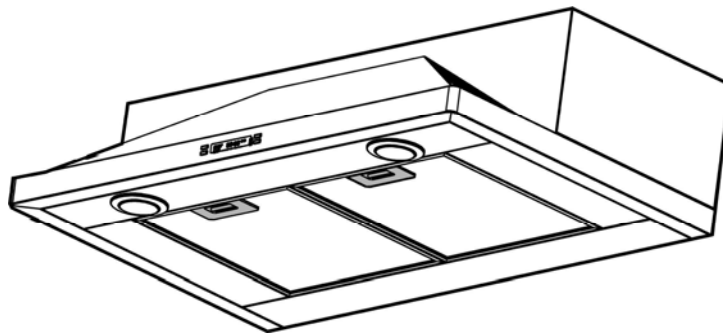


**Use, Care, and Installation Guide**  
**Guide d'utilisation, d'entretien et d'installation**  
**Guía de instalación, uso y mantenimiento**

**READ AND SAVE THESE INSTRUCTIONS**  
**LISEZ CES INSTRUCTIONS ET CONSERVEZ-LES**  
**LEA Y GUARDE ESTAS INSTRUCCIONES**



<b>English</b>	<b>Contents</b>	<b>page</b>	<b>2</b>
<b>French</b>	<b>Sommaire</b>	<b>page</b>	<b>18</b>
<b>Spanish</b>	<b>Contenido</b>	<b>página</b>	<b>34</b>

## English

### Contents

<b>Important safety Notice</b> .....	<b>3</b>
<b>Electrical &amp; Installation requirements</b> .....	<b>4</b>
Electrical requirements .....	4
Before installing the hood .....	4
<b>List of Materials</b> .....	<b>5</b>
Parts supplied .....	5
Parts not supplied .....	5
<b>Dimensions and Clearances</b> .....	<b>6</b>
<b>Ducting Options and Examples</b> .....	<b>7</b>
Venting methods .....	7
Preparation .....	7
<b>Installation</b> .....	<b>8</b>
Installation - Ducting version .....	8
Installation - Ductless (Recirculating) version .....	11
<b>Description of the hood &amp; Controls</b> .....	<b>13</b>
Controls.....	14
<b>Maintenance</b> .....	<b>16</b>
Cleaning.....	16
Grease Filter .....	16
Replacing the light bulb.....	16
Charcoal Filter.....	16
<b>Warranty</b> .....	<b>17</b>

**APPROVED FOR RESIDENTIAL APPLIANCES  
FOR RESIDENTIAL USE ONLY  
READ AND SAVE THESE INSTRUCTIONS**

**PLEASE READ ENTIRE INSTRUCTIONS BEFORE PROCEEDING.**

**INSTALLATION MUST COMPLY WITH ALL LOCAL CODES.**

**IMPORTANT: Save these Instructions for the Local Electrical Inspector's use.**

**INSTALLER: Please leave these Instructions with this unit for the owner.**

**OWNER: Please retain these instructions for future reference.**

**Safety Warning: Turn off power circuit at service panel and lock out panel, before wiring this appliance.**

**Requirement: 120 V AC, 60 Hz. 15 or 20 A Branch Circuit**

# READ AND SAVE THESE INSTRUCTIONS

## Important safety Notice

### CAUTION

FOR GENERAL VENTILATING USE ONLY. **DO NOT USE TO EXHAUST HAZARDOUS OR EXPLOSIVE MATERIALS OR VAPOURS.**

### WARNING

**TO REDUCE THE RISK OF FIRE, ELECTRIC SHOCK, OR INJURY TO PERSONS, OBSERVE THE FOLLOWING:**

- A. Use this unit only in the manner intended by the manufacturer. If you have questions, contact the manufacturer.
- B. Before servicing or cleaning the unit, switch power off at service panel and lock service panel disconnecting means to prevent power from being switched on accidentally. When the service disconnecting means cannot be locked, securely fasten a prominent warning device, such as a tag, to the service panel.
- C. Installation Work and Electrical Wiring Must Be Done By Qualified Person(s) In Accordance With All Applicable Codes & Standards, Including Fire-rated Construction.
- D. Sufficient air is needed for proper combustion and exhausting of gases through the flue (Chimney) of fuel burning equipment to prevent back-drafting. Follow the heating equipment manufacturers guideline and safety standards such as those published by the National Fire Protection Association (NFPA), the American Society for Heating, Refrigeration and Air Conditioning Engineers (ASHRAE), and the local code authorities.
- E. When cutting or drilling into wall or ceiling, do not damage electrical wiring and other hidden utilities.
- F. Ducted systems must always be vented to the outdoors.

### CAUTION

To reduce risk of fire and to properly exhaust air, be sure to duct air outside - do not vent exhaust air into spaces within walls, ceilings, attics, crawl spaces, or garages.

### WARNING

**TO REDUCE THE RISK OF FIRE, USE ONLY METAL DUCT WORK.**

Install this hood in accordance with all requirements specified.

### WARNING

**To Reduce The Risk Of Fire Or Electric Shock, Do Not Use This Hood With Any External Solid State Speed Control Device.**

### WARNING

**TO REDUCE THE RISK OF A RANGE TOP GREASE FIRE.**

- a) Never leave surface units unattended at high settings. Boilovers cause smoking and greasy spillovers that may ignite. Heat oils slowly on low or medium settings.
- b) Always turn hood ON when cooking at high heat or when flambing food (I.e. Crepes Suzette, Cherries Jubilee, Peppercorn Beef Flambe').
- c) Clean ventilating fans frequently. Grease should not be allowed to accumulate on fan or filter.
- d) Use proper pan size. Always use cookware appropriate for the size of the surface element.

### WARNING

**TO REDUCE THE RISK OF INJURY TO PERSONS, IN THE EVENT OF A RANGE TOP GREASE FIRE, OBSERVE THE FOLLOWING:**

- a) SMOTHER FLAMES with a close-fitting lid, cookie sheet, or other metal tray, then turn off the gas burner or the electric element. BE CAREFUL TO PREVENT BURNS. If the flames do not go out immediately, EVACUATE AND CALL THE FIRE DEPARTMENT.
- b) NEVER PICK UP A FLAMING PAN - you may be burned.
- c) DO NOT USE WATER, including wet dishcloths or towels - a violent steam explosion will result.
- d) Use an extinguisher **ONLY** if:
  - 1) You know you have a class ABC extinguisher, and you already know how to operate it.
  - 2) The fire is small and contained in the area where it started.
  - 3) The fire department is being called.
  - 4) You can fight the fire with your back to an exit.

### OPERATION

a. Always leave safety grills and filters in place. Without these components, operating blowers could catch onto hair, fingers and loose clothing.

The manufacturer declines all responsibility in the event of failure to observe the instructions given here for installation, maintenance and suitable use of the product. The manufacturer further declines all responsibility for injury due to negligence and the warranty of the unit automatically expires due to improper maintenance.

### CAUTION

**Automatically Operated Device - To Reduce The Risk Of Injury Disconnect From Power Supply Before Servicing. This unit is equipped with integral disconnecting switch located inside the blower housing.**

# Electrical & Installation requirements

## Electrical requirements

### IMPORTANT

Observe all governing codes and ordinances.

It is the customer's responsibility:

To contact a qualified electrical installer.

To assure that the electrical installation is adequate and in conformance with National Electrical Code, ANSI/NFPA 70 — latest edition\*, or CSA Standards C22.1-94, Canadian Electrical Code, Part 1 and C22.2 No.0-M91 - latest edition\*\* and all local codes and ordinances.

If codes permit and a separate ground wire is used, it is recommended that a qualified electrician determine that the ground path is adequate.

Do not ground to a gas pipe.

Check with a qualified electrician if you are not sure range hood is properly grounded.

Do not have a fuse in the neutral or ground circuit.

### IMPORTANT

Save Installation Instructions for electrical inspector's use.

The range hood must be connected with copper wire only.

The range hood should be connected directly to the fused disconnect (Or circuit breaker) box through metal electrical conduit.

Wire sizes must conform to the requirements of the National Electrical Code ANSI/NFPA 70 — latest edition\*, or CSA Standards C22.1-94, Canadian Electrical Code Part 1 and C22.2 No. 0-M91 - latest edition\*\* and all local codes and ordinances.

A U.L.- or C.S.A.-listed conduit connector must be provided at each end of the power supply conduit (at the range hood and at the junction box).

Copies of the standards listed may be obtained from:

\* National Fire Protection Association Batterymarch Park Quincy, Massachusetts 02269

\*\* CSA International 8501 East Pleasant Valley Road Cleveland, Ohio 44131-5575

## Before installing the hood

1. For the most efficient air flow exhaust, use a straight run or as few elbows as possible.  
**CAUTION:** Vent unit to outside of building, only.
2. At least two people are necessary for installation.
3. Fittings material is provided to secure the hood to most types of walls/ceilings, consult a Qualified Installer, check if they perfectly fit with your cabinet/wall.
4. Do not use flex ducting.
5. COLD WEATHER installations should have an additional backdraft damper installed to minimize backward cold air flow and a nonmetallic thermal break to minimize conduction of outside temperatures as part of the ductwork. The damper should be on the cold air side of the thermal break.  
The break should be as close as possible to where the ducting enters the heated portion of the house.
6. Make up air: Local building codes may require the use of Make-Up Air Systems when using Ducted Ventilation Systems greater than specified CFM of air movement. The specified CFM varies from locale to locale. Consult your HVAC professional for specific requirements in your area.

# List of Materials

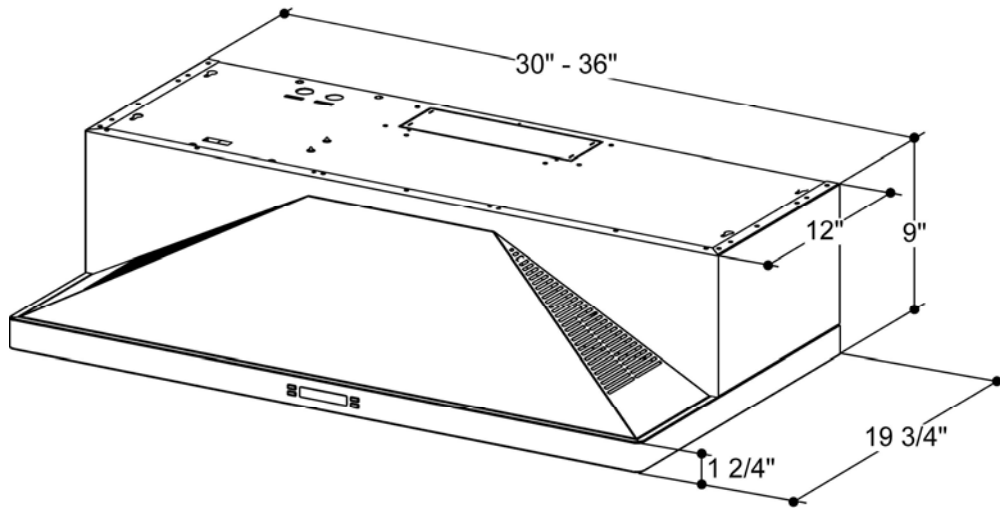
## Parts supplied

- Hood Canopy
- Rectangular Metal Transition with Back draft dampers
- Care & Use / Installation Instructions
- Filters
- 4x8 screws x 3 (to assemble Rectangular Metal Transition)
- 4,5x13 screws x 6
- 5x45 screws x 4
- 8x40 wall anchors x 4

## Parts not supplied

- Duct, conduit and all tools required for installation.
- **Ductless Recirculating Kit**  
To be used only in the **Ductless (Recirculating) version**  
**includes:** charcoal filter
- 8" Rounded metal transition.

# Dimensions and Clearances



# Ducting Options and Examples

Closely follow the instructions set out in this manual.

All responsibility, for any eventual inconveniences, damages or fires caused by not complying with the instructions in this manual, is declined.

## Venting methods

### Vent Exhaust Option

The hood is designed for vertical or horizontal discharge or can be installed in a recirculating ductless version:

#### Vertical discharge:

Use a rectangular duct 3 1/4" x 10".

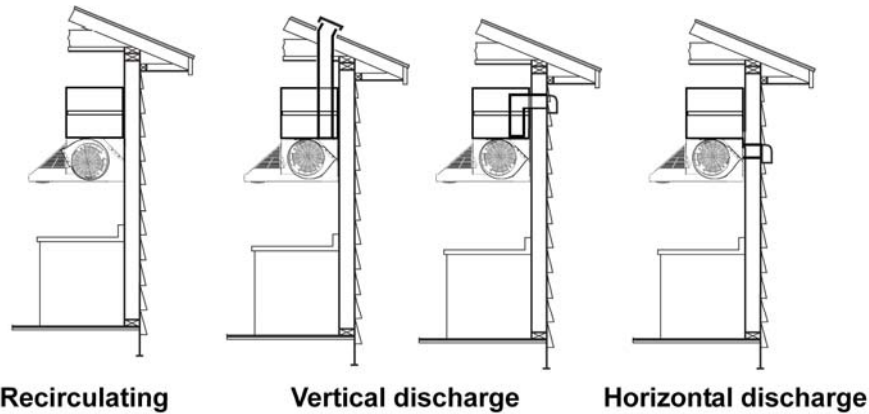
#### Horizontal discharge:

Use a rectangular duct 3 1/4" x 10".

Recirculating (non vented ductless).

**NOTE: For ductless (Recirculating) version only: purchase the Ductless Recirculating Kit.**

**Minimum Duct Size (Ducting/Ductless version): 3-1/4" x 10" Rectangular Pipe.**



## Preparation

Do not cut a joist or stud unless absolutely necessary. If a joist or stud must be cut, then a supporting frame must be constructed.

Fittings material is provided to secure the hood to most types of walls/ceilings.

However, a qualified technician must verify suitability of the materials in accordance with the type of wall/ceiling.

Before making cutouts, make sure there is proper clearance within the ceiling or wall for exhaust vent.

Hood installation height above cooktop is the users preference. The lower the hood is above the cooktop, the more efficient the capturing of cooking odors, grease and smoke.

**CAUTION: FOR GAS RANGES INSTALLATION: MOUNT THIS HOOD SO THAT THE BOTTOM EDGE IS AT 30" (76,2 CM) ABOVE THE COOKING SURFACE.**

**FOR ELECTRIC RANGES INSTALLATION: MOUNT THIS HOOD SO THAT THE BOTTOM IS NOT LESS THAN 24" (61 CM) AND NOT MORE THAT 30" (76,2 CM) ABOVE THE COOKING SURFACE.**

**HOUSEHOLD USE. PLEASE, READ INSTALLATION MANUAL FOR SPECIFIC APPLICATION.**

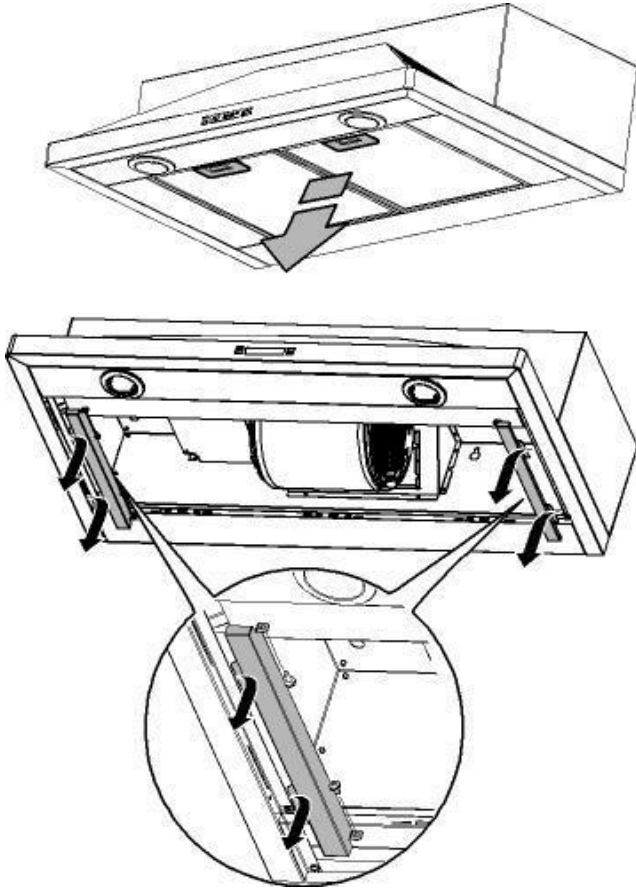
**Check your ceiling height and the hood height maximum before you select your hood.**

# Installation

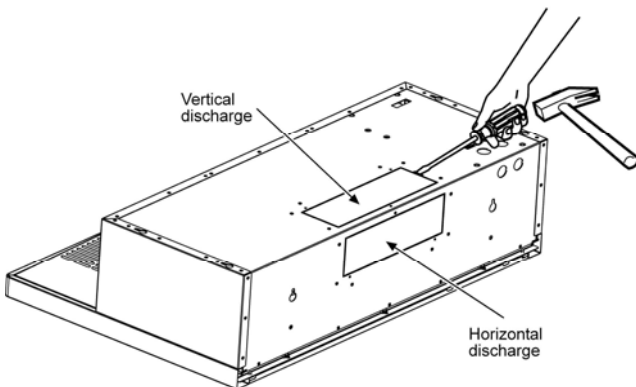
## Installation - Ducting version

After having chosen the vent option, proceed as follows:

- Remove the grease filters.
- Remove the 2 lateral supports.

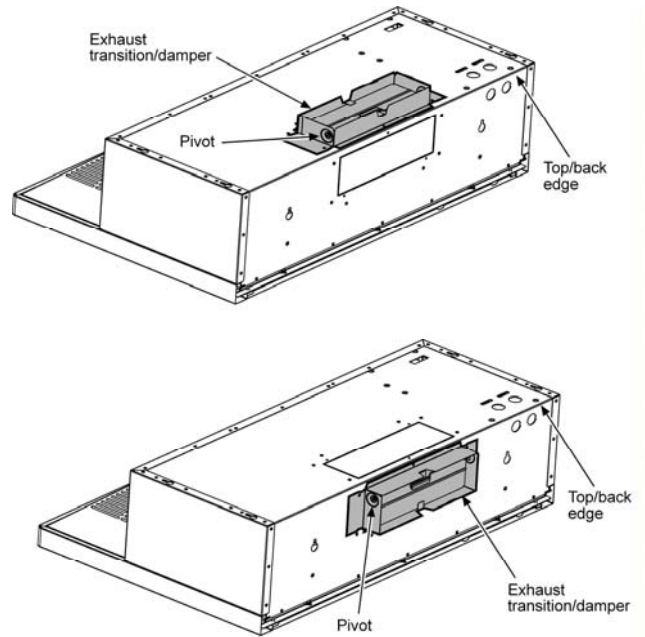


- Remove the duct knockouts using a flat blade screwdriver and a small hammer.
- Use the screwdriver by knocking out the panel in similar fashion to a scalpel.
- Take care of sharp edges.



Attach exhaust adaptor/damper over knockout opening with two exhaust adaptor screws. Make sure damper pivot is nearest to top/back edge of hood.  
Remove tape from damper flap.

**NOTE:** The exhaust adaptor/damper can be installed up to 1 inch on either side of the hood center to accommodate off-center ductwork. In extreme off-center installations, one end of the duct connector may need to be trimmed to clear the electrical cable clamp.



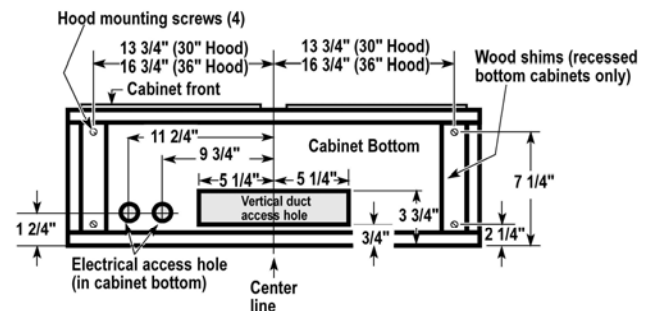
### Mark holes

Select the vent option that your installation will require and proceed to that section:

#### Outside top exhaust

(Vertical duct— 3 1/4" x 10" Rectangular)

Use the diagram or the hood as a template and mark the locations on the cabinet for ductwork, electrical wiring and keyhole screw slots.

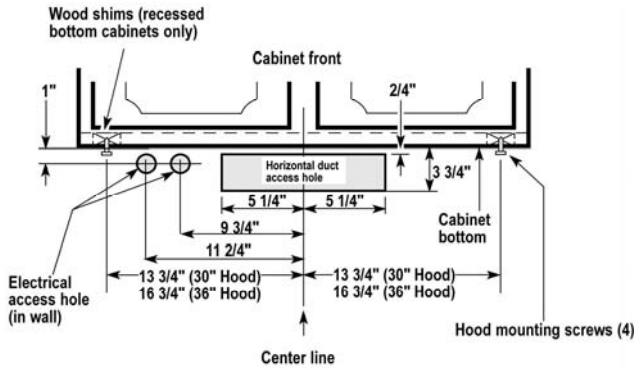




**Outside rear exhaust**

(Horizontal duct– 3 1/4"x 10" Rectangular)

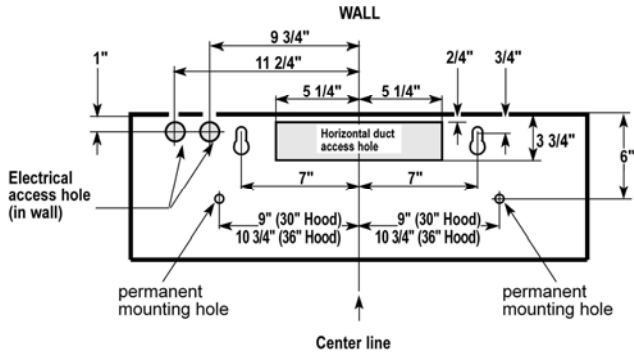
- Use the diagram or the hood as a template and mark the locations on the cabinet for ductwork, electrical wiring and keyhole screw slots.



**Installation to wall**

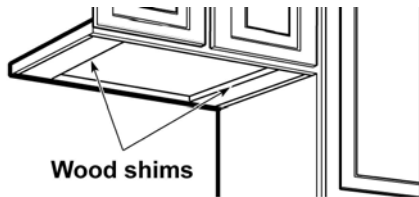
(Horizontal duct– 3 1/4"x 10" Rectangular)

- Use the diagram or the hood as a template and mark the locations on the wall for ductwork, electrical wiring and keyhole screw slots.



**For recessed bottom cabinet only**

If the cabinets have front, side or back trim, make 2 wood shims the width of the trim and attach them to the cabinet bottom recess on both sides.



Cut holes at marked locations for duct and electrical wiring. For the vertical duct, cut out 3/4" extra toward the front of the cabinet so you can move the duct freely when installing the hood. It may also ease installation by cutting the hole 10 1/2" instead of 10".

Drive a mounting screw (from the hardware packet) partway into each center of the narrow neck of the keyhole slots marked on the cabinet bottom.

Fix the wiring conduit to the hood.

Slide the hood back against the wall. Tighten the mounting screws. Be sure the screw heads are in the narrow neck of the keyhole slot. Connect Ductwork to hood.

**Electrical connection**

**WARNING**

**Electrical Shock Hazard**

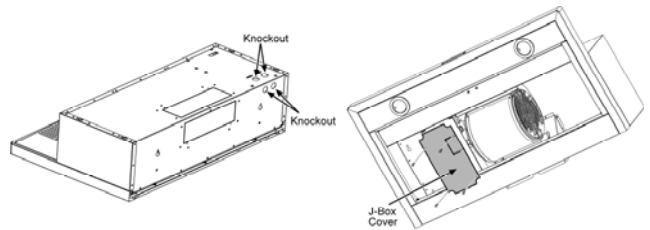
Warning: Turn off power circuit at the service panel before wiring this unit. 120 VAC, 15 or 20 Amp circuit required.

**ELECTRICAL GROUNDING INSTRUCTIONS**

THIS APPLIANCE IS FITTED WITH AN ELECTRICAL JUNCTION BOX WITH 3 WIRES, ONE OF WHICH (GREEN/YELLOW) SERVES TO GROUND THE APPLIANCE. TO PROTECT YOU AGAINST ELECTRIC SHOCK, THE GREEN AND YELLOW WIRE MUST BE CONNECTED TO THE GROUNDING WIRE IN YOUR HOME ELECTRICAL SYSTEM, AND IT MUST UNDER NO CIRCUMSTANCES BE CUT OR REMOVED.

**Failure to do so can result in death or electrical shock.**

Remove the knockout and the Junction box cover and install the conduit connector (cULus listed) in junction box.



Run 3 wires; black, white and green, according to the National Electrical Code and local codes and ordinances, in 1/2" conduit from service panel to junction box.

Connect black wire from service panel to black or red in junction box, white to white and green to green-yellow.

Close and secure junction box cover.

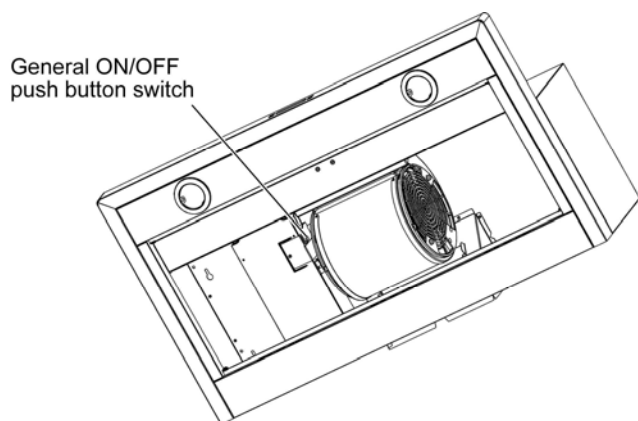
**Final installation step**

Replace the 2 lateral supports.

Replace filters.

Check operation of the hood.

**IMPORTANT:** If the hood doesn't switch ON, before calling for service, check if the internal General ON/OFF Push button Switch is switched ON.



**If range hood does not operate:**

- Check that the circuit breaker is not tripped or the house fuse blown.
- Disconnect power supply. Check that wiring is correct.

**To get the most efficient use from your new range hood, read the “Use and Care Information” section.**

**Keep your Installation Instructions and Use and Care Guide close to range hood for easy reference.**

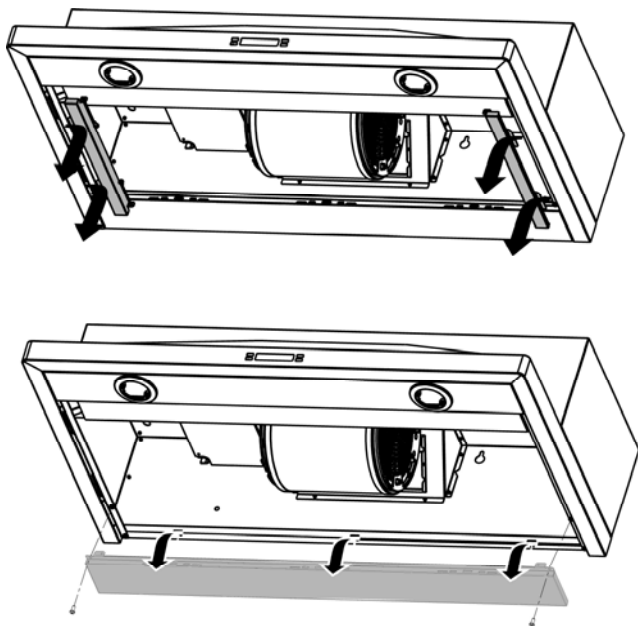
## Installation - Ductless (Recirculating) version

### Attention!

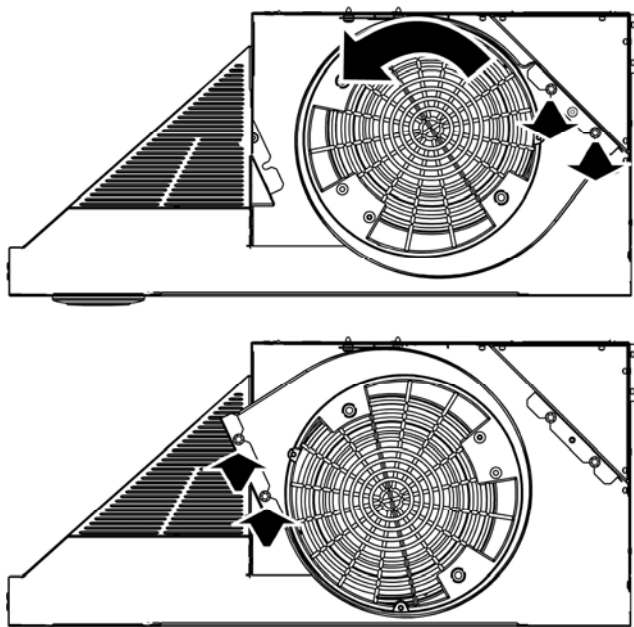
If it is intended to use the hood in the recirculating version do not remove any duct knockouts and order the necessary charcoal filter from your supplier.

Remove the grease filters.

Remove the 2 lateral supports and the posterior one.

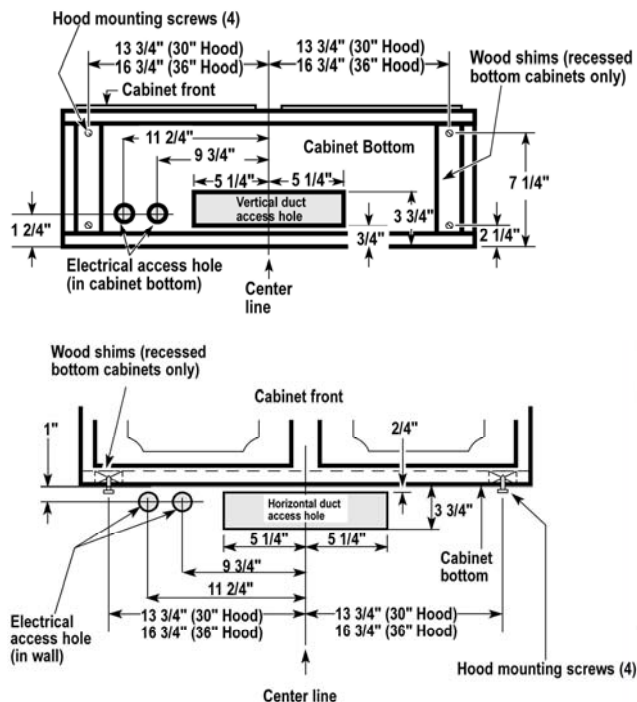


Rotate blower unscrewing the two fixing screws.



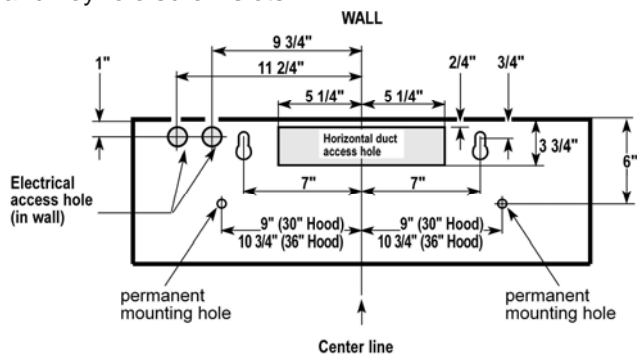
Reinstall the posterior support.

Use the diagram or the hood as a template and mark the locations on the cabinet for electrical wiring and keyhole screw slots.



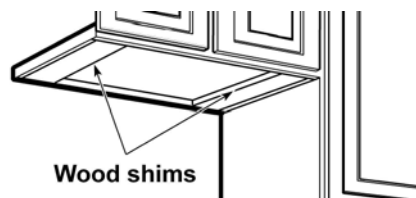
### Installation to wall

• Use the diagram or the hood as a template and mark the locations on the wall for electrical wiring and keyhole screw slots.



### For recessed bottom cabinet only

If the cabinets have front, side or back trim, make 2 wood shims the width of the trim and attach them to the cabinet bottom recess on both sides.



Cut holes at marked locations for duct and electrical wiring. For the vertical duct, cut out 3/4" extra toward the front of the cabinet so you can move the duct freely when installing the hood. It may also ease installation by cutting the hole 10 1/2" instead of 10".

Drive a mounting screw (from the hardware packet) partway into each center of the narrow neck of the keyhole slots marked on the cabinet bottom.

Fix the wiring conduit to the hood.

Slide the hood back against the wall. Tighten the mounting screws. Be sure the screw heads are in the narrow neck of the keyhole slot.

Connect Ductwork to hood.

### Electrical connection

#### **WARNING**

#### **Electrical Shock Hazard**

**Warning: Turn off power circuit at the service panel before wiring this unit.**

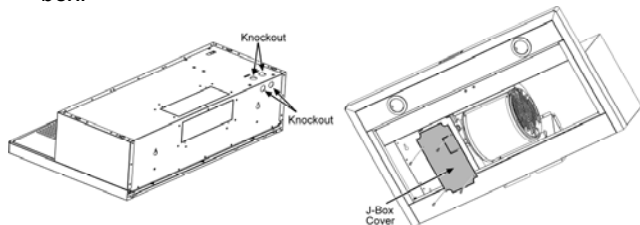
**120 VAC, 15 or 20 Amp circuit required.**

#### **ELECTRICAL GROUNDING INSTRUCTIONS**

THIS APPLIANCE IS FITTED WITH AN ELECTRICAL JUNCTION BOX WITH 3 WIRES, ONE OF WHICH (GREEN/YELLOW) SERVES TO GROUND THE APPLIANCE. TO PROTECT YOU AGAINST ELECTRIC SHOCK, THE GREEN AND YELLOW WIRE MUST BE CONNECTED TO THE GROUNDING WIRE IN YOUR HOME ELECTRICAL SYSTEM, AND IT MUST UNDER NO CIRCUMSTANCES BE CUT OR REMOVED.

**Failure to do so can result in death or electrical shock.**

Remove the knockout and the Junction box cover and install the conduit connector (cULus listed) in junction box.



Run 3 wires; black, white and green, according to the National Electrical Code and local codes and ordinances, in 1/2" conduit from service panel to junction box.

Connect black wire from service panel to black or red in junction box, white to white and green to green-yellow.

Close and secure junction box cover.

#### **Final installation step**

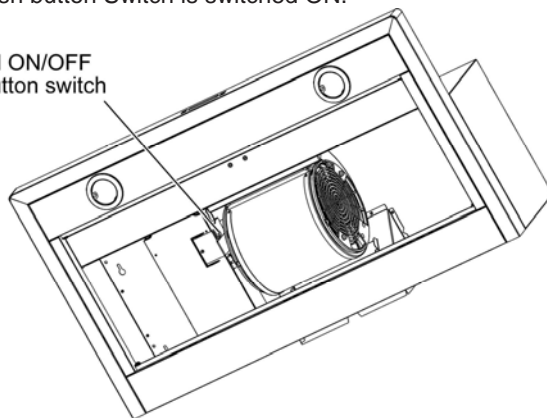
Replace the 2 lateral supports.

Replace filters.

Check operation of the hood.

**IMPORTANT:** If the hood doesn't switch ON, before calling for service, check if the internal General ON/OFF Push button Switch is switched ON.

General ON/OFF  
push button switch



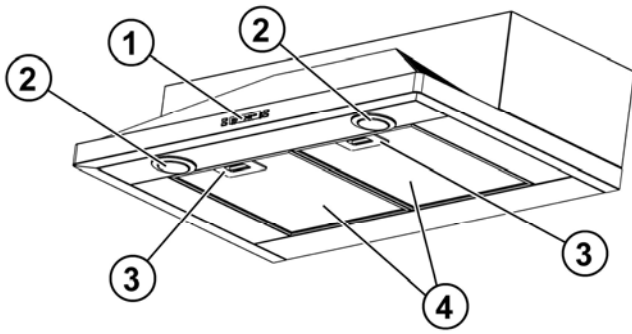
**If range hood does not operate:**

- Check that the circuit breaker is not tripped or the house fuse blown.
- Disconnect power supply. Check that wiring is correct.

**To get the most efficient use from your new range hood, read the "Use and Care Information" section.**

**Keep your Installation Instructions and Use and Care Guide close to range hood for easy reference.**

## Description of the hood & Controls



1. Blower and light controls
2. Halogen lamp housings
3. Grease filter Handle
4. Grease filter

## Controls

Use the high suction speed in cases of concentrated kitchen vapours. It is recommended that the cooker hood suction is switched on for 5 minutes prior to cooking and to leave in operation during cooking and for another 15 minutes approximately after terminating cooking.

**Note:** Hood retains last speed setting when aspiration switch is turned off.

## Description of control panel



### 1. Light Button

- Press lamp button to turn ON the light on High Intensity (Lamp state previously OFF).
- Press lamp button to turn ON the light on Low Intensity (Lamp state previously ON).
- Press lamp button to turn OFF the light (Lamp state previously ON).

### 2. Timer Button

- The default timer setting is 10 minutes, and it can be adjusted between 60 minutes and 1 minute.
- After pressing the timer button, the control enters to a timer setup mode, and user can adjust the timer countdown time with the "+" and "-" buttons within 5 seconds. The timer can be initiated immediately pressing the timer button, after setting the timer duration or pressing the timer button twice (default 10 minutes setting).
- If no action occurs within 5 seconds, the countdown will start.
- During the timer setup the "+" and "-" buttons are dedicated to the timer and no motor action will occur.
- Once the timer is initiated, it can be cancelled by pressing the timer button again.

### 3. Display

- Shows the hood settings.
- The display will be lit at low intensity when the hood is not operating.  
Pressing any key the display will light up at high intensity.
- The display will be lit at high intensity when the hood is operating.  
If no key is pressed within a minute the display will return to being lit at low intensity.

### 4. "-" Button. Speed Decrease / OFF

- This button is used to decrease the fan speed, or turn OFF the fan.
- The fan will turn OFF if the "-" button is pressed and the hood was in the first speed.
- If the fan is at second speed and the "-" button is pressed, the fan will be set to first speed.
- If the fan is at third speed and the "-" key is pressed, the fan will be set to second speed.
- If the fan is at fourth speed and the "-" button is pressed, the fan will be set to third speed.
- If the fan is OFF and the "-" button is pressed, the control backlight will light up.

### 5. "+" Button. Speed Increase / ON

- This button is used to increase the fan speed, or turn ON the fan.
- The fan will turn ON if the "+" button is pressed and the hood was OFF.
- If the fan is at first speed and the "+" button is pressed, the fan will be set to second speed.
- If the fan is at second speed and the "+" button is pressed, the fan will be set to third speed.
- If the fan is at third speed and the "+" button is pressed, the fan will be set to fourth speed.
- If the fan is at fourth speed and the "+" button is pressed, a beep will sound.

## Clock programming

- The clock can be reprogrammed at any time except during an active timed function.
- The clock can be displayed in a twelve hour format and valid clock times are from 1:00 to 12:59.
- The clock can be reprogrammed pressing the "Timer" button for 3 seconds, and after, the clock can be adjusted with the "+" and "-" buttons.
- The user can have minute increments / decrements of 1 minute, but if the user keep pressing the "+" / "-" buttons for more than 1 second, the increments / decrements will be of 5 minutes.  
During this option the control will round to the nearest 5 minutes.
- The user can finish on reprogramming the clock pressing the "Timer" button.
- After 1 minute of no button pressed the control will accept the programmed clock time and will add one minute to the set clock.

## Grease filter saturation alarm (Optional)

- After thirty fan functional hours, the display will show "Grease Filter" if the fan is active.  
When this icon is shown in the display, the grease filters installed are required to be washed.
- To reset the grease filter saturation alarm the user must press the "+" button for 5 seconds, after this action the icon "Grease filter" is not displayed, and the hood has the normal display operation.

## Charcoal filter saturation alarm (Optional)

- After one hundred and twenty functional hours of the fan, the display will show "Charcoal Filter" if the fan is active. When this icon flashes on display, the charcoal filters installed are required to be replaced or reactivated.
- To reset the charcoal filter saturation indication the user must press the "-" button for 5 seconds, after this time the icon "Charcoal filter" is not displayed and the hood has the normal display operation.

## Audible signal activation and deactivation

- The audible signals can be activated or deactivated pressing the "Light" button for 5 seconds.
- If the audible signal is activated, a tone must sound and the "Snd" symbol must appear on the display for 3 seconds.
- If the audible signal is deactivated, the "Snd" symbol must appear on the display for 3 seconds and no tone must sound.

### **Charcoal filter inclusion and exclusion (Recirculating accessories)**

- The charcoal filter inclusion or exclusion can be set by pressing the "+" and "-" buttons at the same time for 5 seconds.
- The Inclusion or exclusion of charcoal filter must be selected while the lamps and the motor are OFF.
- When the charcoal filter has been excluded, the charcoal filter alarm is disabled.

### **Heat sensor**

- The control is equipped with a heat sensor that will turn on the blower at third speed if excessive heat occurs (over **149° F** or **65°C**) surrounding the control area.
- If the blower is OFF or if it is operating at first speed, the blower will be set automatically to third speed, the display shows the word "**CArE**" to indicate that heat sensor has detected an excessive heat.
- During this state, the user may raise the blower speed to fourth speed but can not decrease the speed.
- When the temperature level on the hood drops to normal, the blower will operate in the setting defined by the user before the alarm occurred.

# Maintenance

**ATTENTION!** Before performing any maintenance operation, isolate the hood from the electrical supply by switching off at the connector and removing the connector fuse.  
Or if the appliance has been connected through a plug and socket, then the plug must be removed from the socket.

## Cleaning

**Do not spray cleaners directly to the control while cleaning the Hood.** The cooker hood should be cleaned regularly (at least with the same frequency with which you carry out maintenance of the fat filters) internally and externally. Clean using the cloth dampened with neutral liquid detergent. Do not use abrasive products. **DO NOT USE ALCOHOL!**

### WARNING:

Failure to carry out the basic cleaning recommendations of the cooker hood and replacement of the filters may cause fire risks.

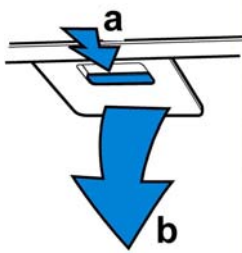
Therefore, we recommend observing these instructions.

The manufacturer declines all responsibility for any damage to the motor or any fire damage linked to inappropriate maintenance or failure to observe the above safety recommendations.

## Grease Filter

**Traps cooking grease particles.**

This must be cleaned once a month using non aggressive detergents, either by hand or in the dishwasher, which must be set to a low temperature and a short cycle. When washed in a dishwasher, the grease filter may discolour slightly, but this does not affect its filtering capacity. To remove the grease filter, pull the spring release handle.

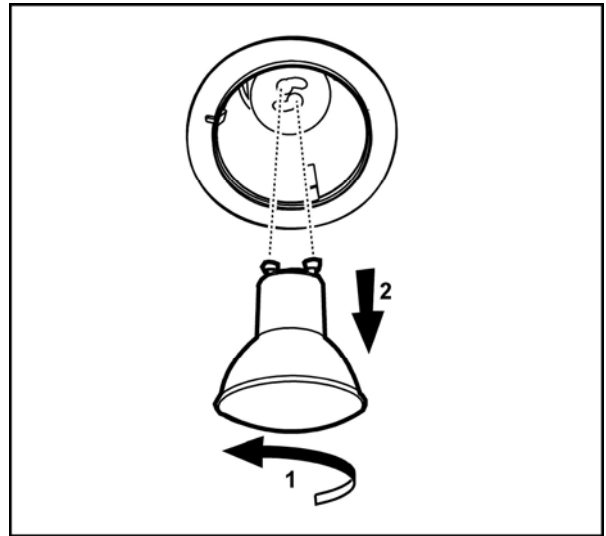


## Replacing the light bulb

### CAUTION

Before replacing the lamps, switch power off at service panel and lock service panel disconnecting means to prevent power from being switched on accidentally.

**NOTE:** Turn off the lights and fan. Allow the lights to **cool** before handling. If new lights do not operate be sure lights are inserted correctly before calling service.



### Replace Lights

- Remove the damaged light (twist counter clockwise) and replace with a new 120 Volt, 50 Watt (maximum) 50° halogen light made for a GU10 base, **suitable for use in open luminarie.**

## Charcoal Filter

If the model is not vented to the outside, the air will be recirculated through disposable charcoal filters that help remove smoke and odors.

The charcoal filters cannot be cleaned.

They must be replaced.

Cover the grill that protects the suction motor with the carbon filter so that the slots on the filter correspond to the pins on the sides of the motor protection grill.

Turn the carbon filter clockwise to block them (bayonet fixing).

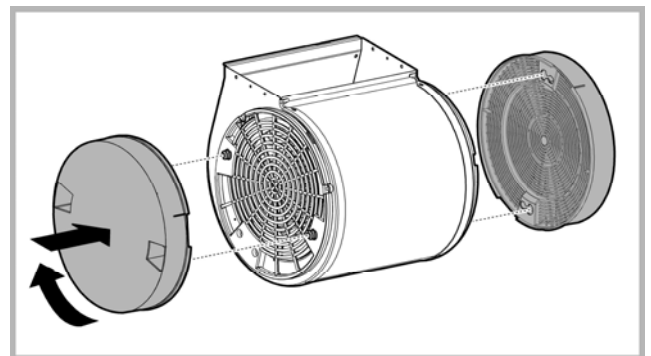
The charcoal filters should be replaced every 4-6 months (depending on hood usage).

**NOTE:** DO NOT rinse, or put charcoal filters in an automatic dishwasher.

**NOTE:** Charcoal filters are **not** included with the hood.

They must be ordered from your supplier.

Order the needed kit specifying your hood model and width size.





# Warranty

## *ELICA North America* TWO-YEARS LIMITED WARRANTY

### **TO OBTAIN SERVICE UNDER WARRANTY**

Owner must present proof of original purchase date. Please keep a copy of your dated proof of purchase (sales slip) in order to obtain service under warranty.

### **PARTS AND SERVICE WARRANTY**

For the period of two (2) years from the date of the original purchase, Elica will provide free of charge, non consumable parts or components that failed due to manufacturing defects. During these two (2) years limited warranty, Elica will also provide free of charge, all labor and in-home service to replace any defective parts.

### **WHAT IS NOT COVERED**

- Damage or failure to the product caused by accident or act of God, such as, flood, fire or earthquake.
- Damage or failure caused by modification of the product or use of non-genuine parts.
- Damage or failure to the product caused during delivery, handling or installation.
- Damage or failure to the product caused by operator abuse.
- Damage or failure to the product caused by dwelling fuse replacement or resetting of circuit breakers.
- Damage or failure caused by use of product in a commercial application.
- Service trips to dwelling to provide use or installation guidance.
- Light bulbs, metal or carbon filters and any other consumable part.
- Normal wear of finish.
- Wear to finish due to operator abuse, improper maintenance, use of corrosive or abrasive cleaning products/pads and oven cleaner products.

### **WHO IS COVERED**

This warranty is extended to the original purchaser for products purchased for ordinary residential use in North America (Including the United States, Guam, Puerto Rico, US Virgin Islands & Canada).

This warranty is non-transferable and applies only to the original purchaser and does not extend to subsequent owners of the product. This warranty is made expressly in lieu of all other warranties, expressed or implied, including, but not limited to any implied warranty of merchantability or fitness for a particular purpose and all other obligations on the part of Elica North America, provided, however, that if the disclaimer of implied warranties is ineffective under applicable law, the duration of any implied warranty arising by operation of law shall be limited to two (2) years from the date of original purchase at retail or such longer period as may be required by applicable law.

This warranty does not cover any special, incidental and/or consequential damages, nor loss of profits, suffered by the original purchaser, its customers and/or the users of the Products.

### **WHO TO CONTACT**

To obtain Service under Warranty or for any Service Related Question

Please Call:

- Elica North America Authorized Service at (888) 732-8018

Or by Writing To:

- Elica North America, Attention Customer Service, 222 Merchandise Mart Plaza Suite 947, Chicago, IL 60654 USA

# French

## Sommaire

<b>Avis de sécurité important</b> .....	<b>19</b>
<b>Exigences électriques et exigences d'installation</b> .....	<b>20</b>
Exigences électriques .....	20
Avant d'installer la hotte.....	20
<b>Liste des pièces</b> .....	<b>21</b>
Pièces fournies .....	21
Pièces non fournies .....	21
<b>Dimensions et Dégagement</b> .....	<b>22</b>
<b>Exemples et possibilités de positionnement des conduits</b> .....	<b>23</b>
Méthodes de ventilation .....	23
Préparation .....	23
<b>Installation</b> .....	<b>24</b>
Installation - Version à conduit.....	24
Installation - Version sans conduit (Recyclage).....	27
<b>Description de la hotte et des commandes</b> .....	<b>29</b>
Commandes.....	30
<b>Entretien</b> .....	<b>32</b>
Nettoyage.....	32
Filtre à graisse .....	32
Remplacement des ampoules .....	32
Filtres à charbon .....	32
<b>Garantie</b> .....	<b>33</b>

**APPROUVÉ POUR LES APPAREILS DE TYPE RÉSIDENTIEL  
POUR UNE UTILISATION RÉSIDENTIELLE SEULEMENT  
LISEZ CES INSTRUCTIONS ET CONSERVEZ-LES**

**VEUILLEZ LIRE CES INSTRUCTIONS AU COMPLET AVANT DE COMMENCER.**

**L'INSTALLATION DE L'APPAREIL DOIT RESPECTER TOUS LES CODES EN VIGUEUR.**

**IMPORTANT : Conservez ces instructions afin de pouvoir les remettre à l'inspecteur-électricien de votre région.**

**INSTALLATEUR : Veuillez laisser ces instructions avec l'appareil pour le propriétaire.**

**PROPRIÉTAIRE : Veuillez conserver ces instructions pour pouvoir vous y référer plus tard.**

**Avertissement de sécurité : Coupez l'alimentation du circuit dans le panneau électrique et verrouillez le panneau avant de raccorder les fils de cet appareil.**

**Exigence : 120 V c.a., 60 Hz circuit de dérivation de 15 V c.a., 20 Hz, de 15 ou 20 A.**

# LISEZ CES INSTRUCTIONS ET CONSERVEZ-LES

## Avis de sécurité important

### ATTENTION

UTILISER CET APPAREIL À DES FINS DE VENTILATION GÉNÉRALE SEULEMENT. **NE PAS UTILISER CET APPAREIL POUR ÉVACUER DES MATÉRIAUX OU DES VAPEURS DANGEREUX OU EXPLOSIFS.**

### AVERTISSEMENT

**POUR RÉDUIRE LES RISQUES D'INCENDIE, DE CHOC ÉLECTRIQUE ET DE BLESSURE, RESPECTER LES DIRECTIVES SUIVANTES :**

- A. Utiliser cet appareil uniquement aux fins prévues par le fabricant. Si vous avez des questions à propos de l'appareil, communiquez avec le fabricant.
- B. Avant de faire l'entretien de l'appareil ou de le nettoyer, coupez l'alimentation dans le panneau électrique et verrouillez le panneau en bloquant le dispositif permettant d'empêcher d'activer l'alimentation accidentellement. S'il n'est pas possible de verrouiller l'accès au panneau, fixez une étiquette très voyante au panneau électrique.
- C. Une personne qualifiée doit effectuer l'installation et le câblage des fils électriques en conformité avec tous les codes et toutes les normes, y compris la cote de résistance au feu.
- D. Il est important de prévoir suffisamment d'air pour assurer une bonne combustion de l'équipement de chauffe et l'évacuation adéquates des gaz par le conduit de cheminé afin de prévenir les refoulements d'air. Respectez les directives et les normes de sécurité des fabricants de l'équipement de chauffage, comme celles publiées par la National Fire Protection Association (NFPA), la American Society for Heating, Refrigeration and Air Conditioning Engineers (ASHRAE) et le code des autorités de votre région.
- E. Au moment de couper ou de percer un mur ou un plafond, assurez-vous de ne pas endommager la filerie électrique ou tout autre accès à un service publique.
- F. Il faut toujours évacuer à l'extérieur les systèmes à conduit.

### ATTENTION

**Pour réduire les risques d'incendie et évacuer l'air correctement, assurez-vous que le conduit mène à l'extérieur; il ne faut pas évacuer l'air dans l'espace entre les murs, dans les plafonds, dans les greniers, les vides sanitaires ou les garages.**

### AVERTISSEMENT

**POUR RÉDUIRE DES RISQUES D'INCENDIE, UTILISEZ UNIQUEMENT DES CONDUITS EN MÉTAL.**

Installez cette hotte en respectant toutes les exigences mentionnées.

### AVERTISSEMENT

**Pour réduire les risques d'incendie et de choc électrique, n'utilisez pas cette hotte avec un contrôleur de vitesse à semi-conducteurs.**

### AVERTISSEMENT

**POUR RÉDUIRE LES RISQUES D'INCENDIE DE GRAISSE SUR LES CUISINIÈRES.**

- a) Ne laissez jamais la cuisinière sans surveillance

lorsqu'elle est réglée à une haute température. Les débordements par bouillonnement causent de la fumée et des débordements de gras qui peuvent s'enflammer. Faites chauffer l'huile lentement, à une température basse ou moyenne.

- b) Faites toujours fonctionner la hotte lorsque vous utilisez la cuisinière à une haute température ou que vous faites flamber des aliments (P. ex. : crêpes Suzette, cerises jubilées, bœuf au poivre flambé).
- c) Nettoyez les hélices de ventilation fréquemment. Il ne faut pas que la graisse s'accumule sur les filtres ou les hélices.
- d) Utilisez le bon format de casserole. Utilisez toujours un chaudron de taille approprié à l'élément de la cuisinière.

### AVERTISSEMENT

**POUR ÉVITER DE BLESSER QUELQU'UN LORS D'UN INCENDIE DE GRAISSE SUR LA CUISINIÈRE, SUIVRE LES CONSEILS SUIVANTS :**

- a) **ÉTOUFFER LES FLAMMES** avec un couvercle aux dimensions de la taque de cuisson, une tôle à biscuit ou tout autre plateau métallique, puis couper le gaz ou l'alimentation électrique de la cuisinière. **FAIRE ATTENTION A NE PAS SE BRÛLER.** Si les flammes ne s'éteignent pas immédiatement, **QUITTER LA PIÈCE ET APPELER LES POMPIERS.**
- b) **NE JAMAIS PRENDRE EN MAIN UNE CASSEROLE EN FEU**, vous pourriez vous blesser.
- c) **NE PAS UTILISER D'EAU**, y compris les essuies de vaisselle ou les serviettes humides – une violente explosion due à la vapeur formée pourrait survenir.
- d) Utiliser un extincteur **SEULEMENT** si:
  - 1) Vous êtes sûr d'avoir un extincteur de classe ABC que vous savez utiliser.
  - 2) Le feu est petit et confiné à la zone où il s'est formé.
  - 3) Les pompiers ont été appelés.
  - 4) Vous pouvez lutter contre le feu avec une sortie derrière vous.

### MODE OPÉRATEUR

- a. Toujours laisser les grilles de sécurité et les filtres à leur place. Sans la présence de ces derniers, les parties aspirantes pourraient attirer les cheveux, les doigts ou les vêtements.

Le fabricant décline toute responsabilité si les informations détaillées dans ce manuel pour l'installation, l'entretien et l'utilisation adéquate du produit ne sont pas observées. Le fabricant décline en outre toute responsabilité pour d'éventuelles blessures dues à des négligences; en outre, la garantie de l'appareil sera annulée suite à des conditions d'entretien inappropriées. Cet appareil est fabriqué pour un usage interne. Ne pas utiliser cet appareil à l'extérieur.

### ATTENTION

**Appareil commandé automatiquement - afin de réduire les risques de blessure, débranchez l'appareil de l'alimentation électrique avant de procéder à une réparation.**

**L'appareil est équipé d'un sectionneur intégral situé à l'intérieur du logement du ventilateur.**

# Exigences électriques et exigences d'installation

## Exigences électriques

### IMPORTANT

Respectez tous les codes et les ordonnances en vigueur.

Le client a la responsabilité de :

Contactez un électricien-installateur.

Vérifier que l'installation électrique est adéquate et conforme avec le Code national de l'électricité, ANSI/NFPA 70 (la plus récente édition\*), ou les normes C22.1-94, Code canadien de l'électricité, Partie 1 et C22.2 No.0-M91 (La plus récente édition\*\*) de la CSA, ainsi que tous les codes et les ordonnances de votre région.

Si le code le permet et que vous utilisez un fil de mise à la terre distinct, il est recommandé de faire vérifier le chemin du fil par un électricien.

Ne pas mettre l'appareil à la terre sur une conduite de gaz. Consultez un électricien qualifié si vous n'êtes pas certain que la hotte est mise à la terre correctement. N'installez pas un fusible dans le circuit neutre ou le circuit de mise à la terre.

### IMPORTANT

Conservez ces instructions afin de pouvoir les remettre à l'inspecteur-électricien.

La hotte doit être câblée uniquement à l'aide de fils de cuivre.

Il faut raccorder la hotte directement à une boîte à fusible ou à un disjoncteur par l'entremise d'une canalisation électrique en métal.

Le calibre de fil doit être conforme aux exigences du Code national de l'électricité, ANSI/NFPA 70 (La plus récente édition\*), ou les normes C22.1-94, Code canadien de l'électricité, Partie 1 et C22.2 0-M91 (La plus récente édition\*\*) de la CSA, ainsi que tous les codes et les ordonnances de votre région.

Il faut prévoir un connecteur de canalisation approuvé par l'UL ou la CSA à chaque extrémité de la canalisation d'alimentation (À la hotte et à la boîte de jonction).

Vous pouvez obtenir un exemplaire des normes indiquées en vous adressant à :

\* La National Fire Protection Association, Batterymarch Park  
Quincy, Massachusetts, 02269

\*\* La CSA International, 8501 East Pleasant Valley Road,  
Cleveland, Ohio, 44131-5575

## Avant d'installer la hotte

1. Pour assurer la ventilation la plus efficace possible, installez la conduite en ligne droite ou avec le moins de coudes possibles.  
**ATTENTION** : La sortie de la conduite de ventilation doit donner sur l'extérieur.
2. Deux personnes sont nécessaires pour effectuer l'installation.
3. La quincaillerie fournie permet de fixer la hotte à la plupart des murs et des plafonds; consultez un installateur qualifié pour vous assurer que la quincaillerie fournie est adaptée à votre type de mur ou d'armoire.
4. N'utilisez pas de conduit flexible.
5. Dans le cas des endroits sujets aux TEMPÉRATURES FROIDES, il faut installer un clapet de contre-tirage supplémentaire afin de minimiser le retour d'air froid et un isolant thermique non métallique afin de minimiser la conduction de la température extérieur dans le conduit. Il faut placer le clapet du côté de l'air froid de l'isolant thermique. L'isolant doit être placé le plus près possible de l'endroit où le conduit entre dans la partie chauffée de la maison.
6. Air d'appoint : Le code du bâtiment de votre région peut exiger l'utilisation d'un système d'air d'appoint si vous utilisez un système de ventilation à conduit dont le mouvement d'air dépasse un certain nombre de CFM. Le nombre de pi<sup>3</sup>/min varie d'une région à l'autre. Consultez un professionnel de CVC pour connaître les exigences précises de votre région.

# Liste des pièces

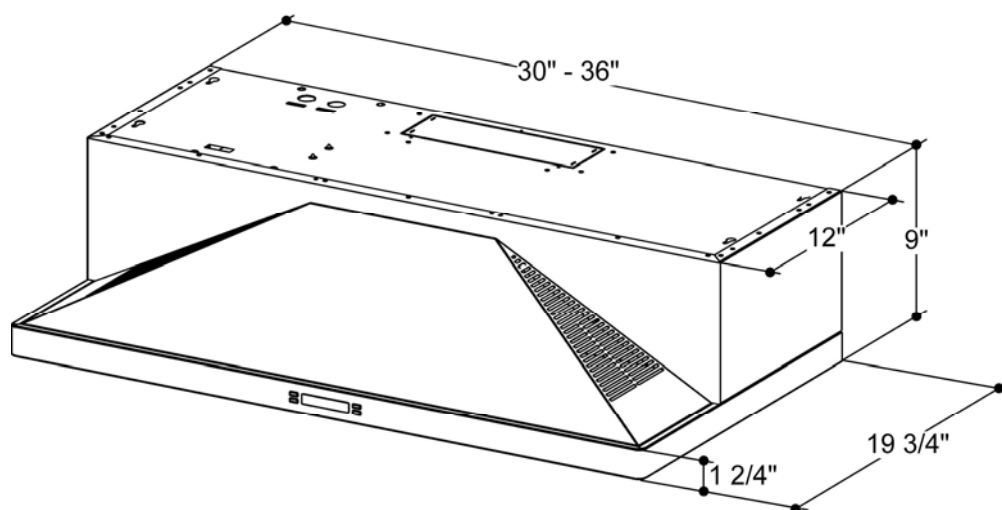
## Pièces fournies

- Le corps de la hotte assemblé.
- Un raccord métallique rectangulaire avec soupape de tirage
- Manuel d'entretien et utilisation/ Manuel d'installation
- Filtres
- 3 vis 4x8 (pour assembler le raccord métallique rectangulaire)
- 6 vis 4,5x13
- 4 vis 5x45
- 4 ancrages muraux 8x40

## Pièces non fournies

- Conduit, canalisation et tous les outils nécessaires à l'installation.
- **Trousse de conversion en hotte à recyclage** à utiliser seulement avec la **version sans conduit (À recyclage)**  
**comprend** : filtre au charbon
- Transition métallique circulaire de 8"

## Dimensions et Dégagement



# Exemples et possibilités de positionnement des conduits

Suivez à la lettre les directives présentées dans ce manuel.

Le fabricant refuse toute responsabilité en ce qui a trait à tout préjudice, dommage ou incendie causé par la non observation des directives contenues dans le présent manuel.

## Méthodes de ventilation

### Possibilité d'évacuation

La hotte est prévue pour une évacuation verticale ou horizontale ou bien pour le recyclage d'air en l'absence de conduits :

#### Évacuation verticale:

Utiliser un conduit rectangulaire de 3 ¼»x10".

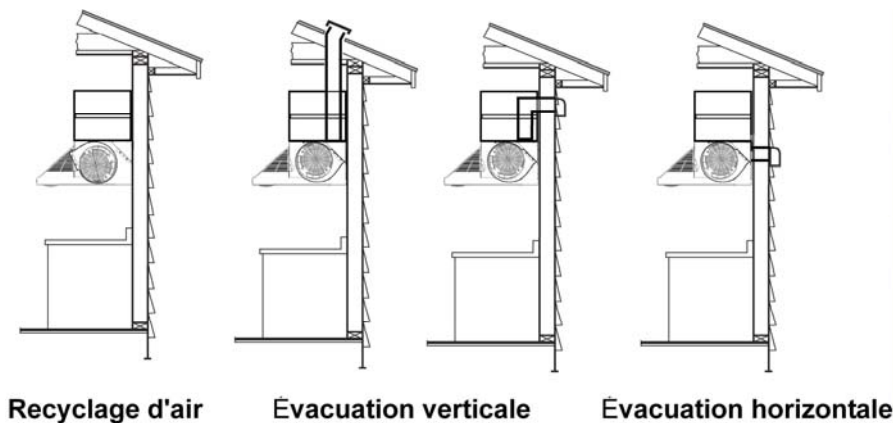
#### Évacuation horizontale :

Utiliser un conduit rectangulaire de 3 ¼»x10".

Recyclage d'air (pas de conduit nécessaire).

**NOTE : dans le cas de la version sans conduit (À recyclage) seulement : procurez-vous la trousse de conversion en hotte à recyclage.**

**Dimension minimum des conduit (Version avec ou sans conduit) : conduit rectangulaire de 3-1/4" x 10".**



## Préparation

Ne coupez pas une solive ou un montant à moins qu'il soit absolument nécessaire de le faire. Si vous devez couper une solive ou un montant, vous devez construire un cadre de soutien.

La quincaillerie fournie permet de fixer la hotte à la plupart des murs et des plafonds.

Vous devez cependant demander à un technicien qualifié de vérifier la solidité des matériaux selon le type de mur ou de plafond.

Avant de couper, assurez-vous qu'il y a un dégagement suffisant dans le plafond ou le mur pour passer la conduite de sortie.

Vous pouvez déterminer vous-même la hauteur à laquelle vous installez la hotte au dessus de la cuisinière. Plus la hotte est près de la cuisinière, plus elle est efficace à capter les odeurs de cuisson, la graisse et la fumée.

**ATTENTION: POUR L'INSTALLATION DES CUISINIÈRES À GAZ: METTEZ LA HOTTE AFIN D'AVOIR ENTRE LE BORD INFÉRIEUR DE LA HOTTE ET LE PLAN DE CUISSON UNE DISTANCE DE 30" (76,2 CM).**

**POUR DES CUISINIÈRES ÉLECTRIQUES: LA DISTANCE ENTRE LE BORD INFÉRIEUR DE LA HOTTE ET LE PLAN DE CUISSON NE DOÏT PAS ÊTRE INFÉRIEURE DE 24" (61 CM) ET SUPÉRIEURE DE 30" (76,2 CM).**

**EMPLOI DOMESTIQUE. LIRE ATTENTIVEMENT LE LIVRET INSTRUCTIONS POUR DES APPLICATIONS SPÉCIFIQUES.**

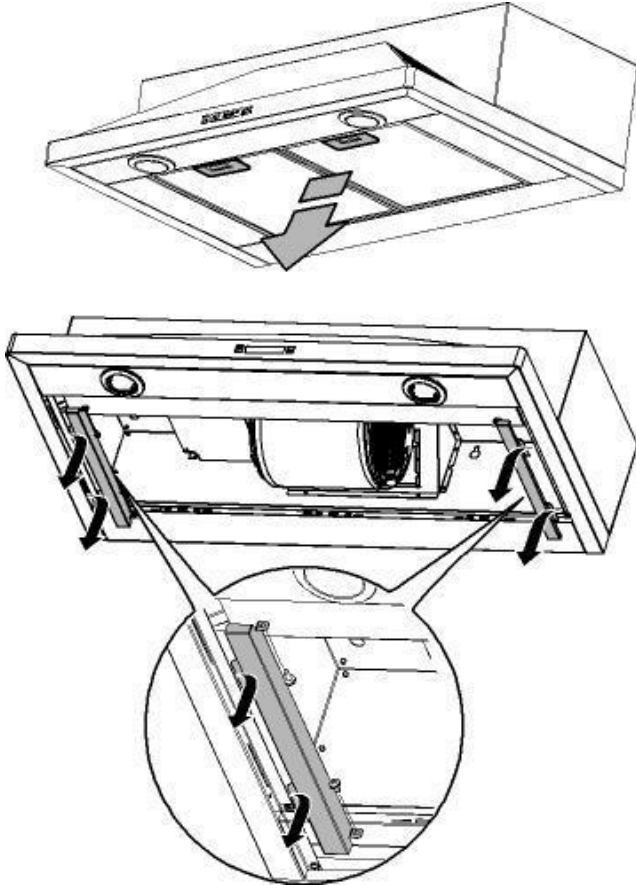
Vérifiez donc la hauteur de votre plafond et la hauteur maximum de la hotte avant de choisir votre modèle de hotte.

# Installation

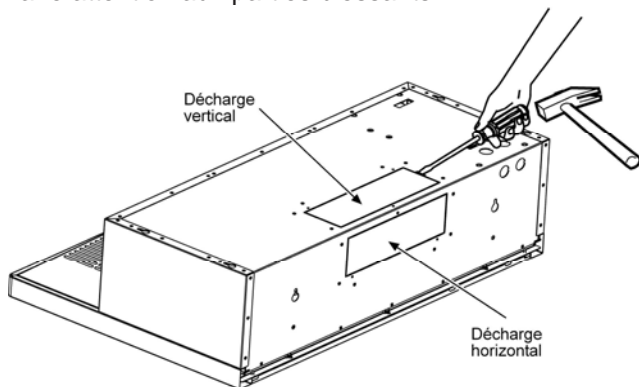
## Installation - Version à conduit

Après avoir choisi le type d'évacuation, procéder comme suit:

Enlever les filtres à graisse.  
Enlever les 2 appuis latéraux.

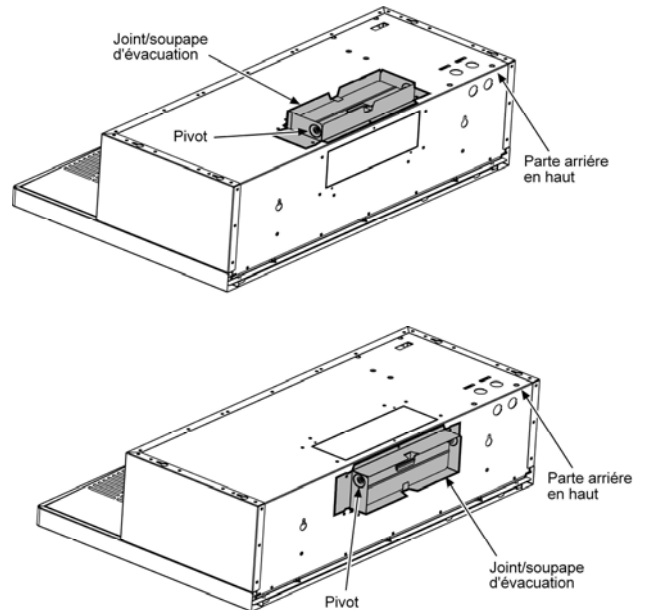


Enlever les parties prédécoupées pour les conduits en utilisant un fin tournevis et un petit marteau. Utiliser le tournevis à la façon d'un biseau. Faire attention aux parties blessants.



Attacher le joint ou la soupape d'évacuation sur l'ouverture préformée à l'aide des deux vis prévues à cet effet. S'assurer que les éléments soient le plus proche possible de la partie arrière en haut de votre hotte. Enlever la protection du clapet.

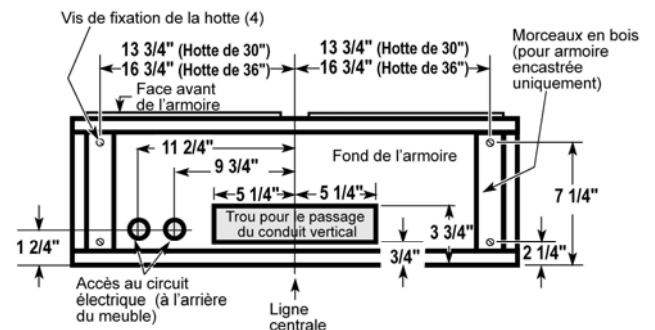
**NOTE :** Le joint/soupape d'évacuation peut être installé jusqu'à 2,5 cm (1 inch) de part et d'autre du centre de la hotte pour permettre le décentrage des conduits. Dans le cas de systèmes d'évacuation très décentrés, la partie terminale du conduit d'évacuation peut être modifiée pour dégager l'attache du fil électrique.



## Emplacement des trous

Sélectionner le type d'évacuation choisi pour votre hotte et procéder :

**Évacuation extérieure par le dessus de la hotte**  
(Conduit vertical rectangulaire de 3 1/4" x 10")  
Utiliser le schéma ou la hotte comme patron et indiquer sur l'armoire l'emplacement des conduits, des fils électriques et les fentes réglables pour les vis.

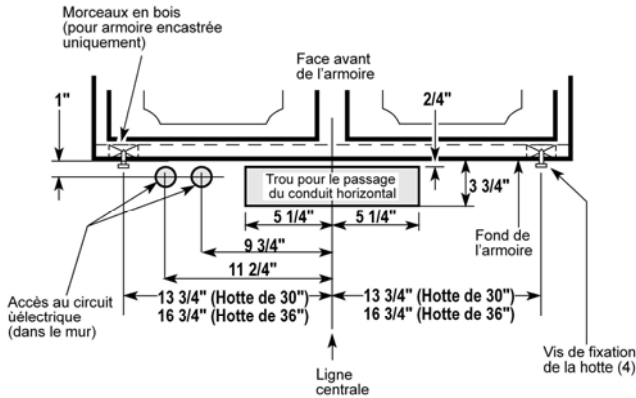




### Évacuation extérieure par l'arrière de la hotte

(Conduit horizontal rectangulaire de 3 1/4" x 10")

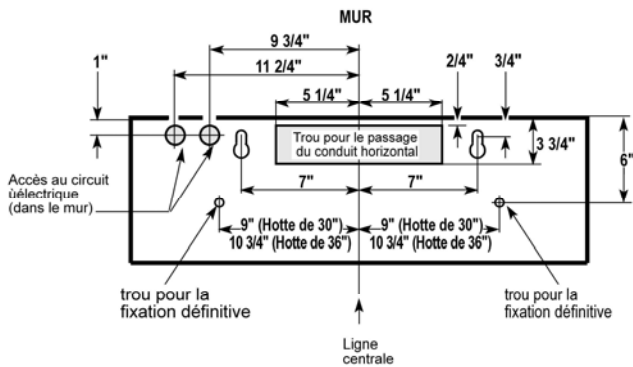
- Utiliser le schéma ou la hotte comme patron et indiquer sur l'armoire l'emplacement des conduits, des fils électriques et les fentes réglables pour les vis.



### Installation à mur

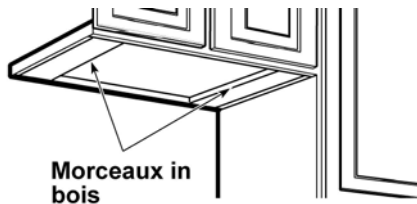
(Conduit horizontal rectangulaire de 3 1/4" x 10")

- Utiliser le schéma ou la hotte comme patron et indiquer sur le mur l'emplacement des conduits, des fils électriques et les fentes réglables pour les vis.



### Pour armoires encastrées uniquement

Si les armoires ont une garniture à l'avant, sur le côté ou à l'arrière, réaliser 2 morceaux de bois de la largeur des garnitures et les attacher à l'armoire encastrée sur les 2 côtés.



Réaliser les trous pour les conduits et les fils électriques aux emplacements indiqués. Pour le conduit vertical, agrandir le trou de 3/4" vers le devant de l'armoire pour pouvoir bouger le conduit plus librement lors de la mise en place de la hotte. L'installation sera également plus facile si le trou fait 10 1/2" au lieu de 10".

Serrer une vis de fixation (se trouvant dans le kit de montage) dans chaque petite ouverture des crochets marqués sur le fond de l'armoire.

Raccorder le tube électrique à la hotte.

Replacer la hotte contre le mur. Serrer les vis de fixation. S'assurer que la tête des vis est bien dans la partie plus étroite des fentes des crochets. Raccorder les conduits à la hotte.

### Connexion électrique

#### AVERTISSEMENT

#### Danger de choc électrique

**AVERTISSEMENT : Coupez l'alimentation du circuit dans le panneau électrique avant de raccorder les fils de cet appareil.**

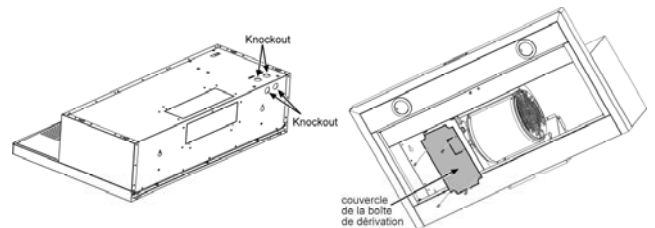
**Un circuit de 120 V c.a., de 15 ou 20 A est requis.**

#### INSTRUCTIONS DE MISE À LA TERRE

CET APPAREIL EST MUNI D'UNE BOÎTE DE JONCTION ÉLECTRIQUE À TROIS FILS, DONT L'UN (VERT/JAUNE) SERT À METTRE L'APPAREIL À LA TERRE. POUR VOUS PROTÉGER CONTRE LES CHOCS ÉLECTRIQUES, VOUS DEVEZ RACCORDER LE FIL VERT/JAUNE AU FIL DE MISE À LA TERRE DU SYSTÈME ÉLECTRIQUE DE VOTRE MAISON. EN AUCUNE CIRCONSTANCE CE FIL DOIT ÊTRE COUPÉ OU ENLEVÉ.

**Le fait de ne pas respecter cette directive peut entraîner la mort ou un choc électrique.**

Retirez l'alvéole défonçable et le couvercle de la boîte de jonction et installez un connecteur de canalisation (Listé dans cULus) dans la boîte de jonction.



Passez trois fils, le noir, le blanc et le vert, en respectant les normes du code national de l'électricité, ainsi que les codes et les ordonnances en vigueur dans votre région, dans une canalisation de 1/2 po, du panneau de service à la boîte de jonction.

Raccordez le fil noir du panneau de service au fil noir ou rouge de la boîte jonction, le blanc avec le blanc et le vert avec le vert/jaune.

Fermez le couvercle de la boîte de jonction.

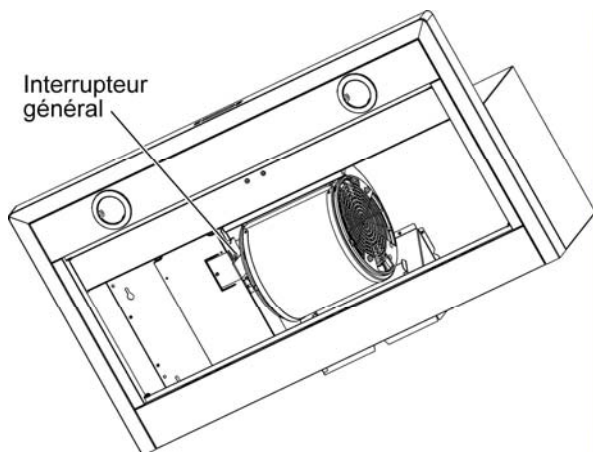
### Étape finale d'installation

Replacer les 2 appuis latéraux.

Replacer les filtres.

Vérifier que la hotte fonctionne.

**IMPORTANT** : si la hotte ne s'allume pas, avant de faire appel à un réparateur, vérifiez si l'interrupteur général est enclenché.



**Si la hotte ne fonctionne pas :**

- Vérifiez que le disjoncteur ne s'est pas déclenché ou que le fusible n'est pas grillé.
- Débranchez l'alimentation. Vérifiez que les raccords électriques ont été effectués correctement.

**Pour utiliser votre nouvelle hotte de façon optimale, lisez la section intitulée " Entretien et utilisation ".**

**Gardez vos instructions d'installations et d'utilisation près de la hotte pour pouvoir vous y référer facilement.**

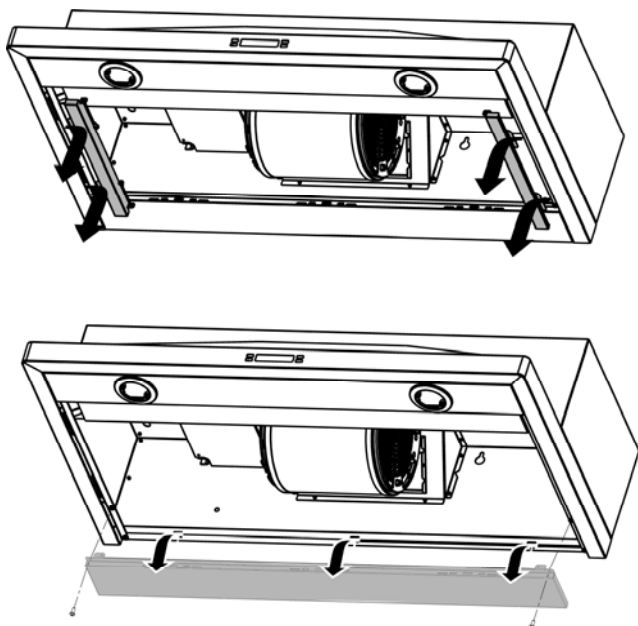
## Installation - Version sans conduit (Recyclage)

### Attention !

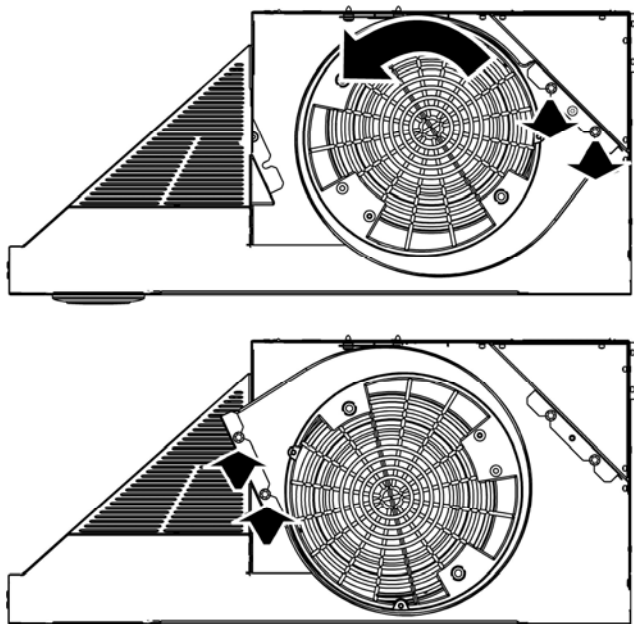
En cas d'utilisation de la hotte avec recyclage d'air, ne pas enlever les parties prédécoupées pour les conduits et commander les filtres à charbon nécessaires chez votre revendeur.

Enlever les filtres à graisse.

Enlevez les 2 appuis latéraux et les postérieurs.

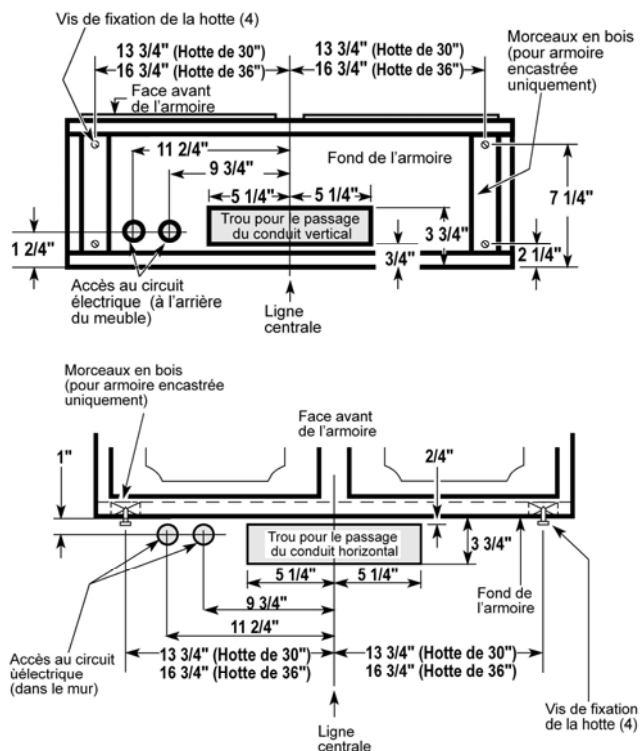


Tourner le ventilateur dévissant les deux vis de fixation.



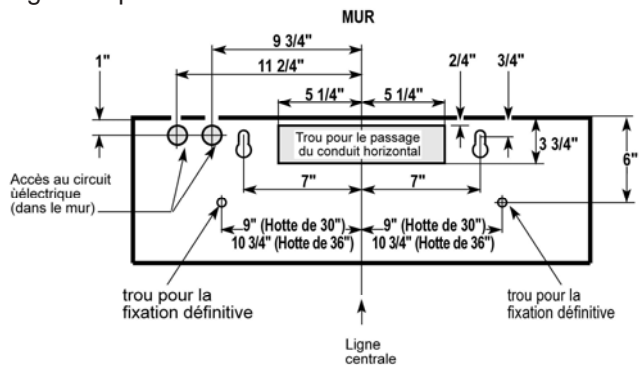
Réinstallez l'appui postérieur.

Utiliser le schéma ou la hotte comme patron et indiquer sur l'armoire l'emplacement des fils électriques et les fentes réglables pour les vis.



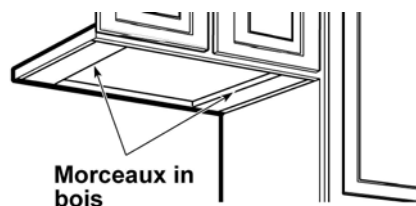
### Installation à mur

• Utiliser le schéma ou la hotte comme patron et indiquer sur le mur l'emplacement des fils électriques et les fentes réglables pour les vis.



### Pour armoires encastrées uniquement

Si les armoires ont une garniture à l'avant, sur le côté ou à l'arrière, réaliser 2 morceaux de bois de la largeur des garnitures et les attacher à l'armoire encastrée sur les 2 côtés.



Réaliser les trous pour les conduits et les fils électriques aux emplacements indiqués. Pour le conduit vertical, agrandir le trou de 3/4" vers le devant de l'armoire pour pouvoir bouger le conduit plus librement lors de la mise en place de la hotte. L'installation sera également plus facile si le trou fait 10 1/2" au lieu de 10".

Serrer une vis de fixation (se trouvant dans le kit de montage) dans chaque petite ouverture des crochets marqués sur le fond de l'armoire.

Raccorder le tube électrique à la hotte.

Replacer la hotte contre le mur. Serrer les vis de fixation. S'assurer que la tête des vis est bien dans la partie plus étroite des fentes des crochets. Raccorder les conduits à la hotte.

### Connexion électrique

#### AVERTISSEMENT

#### Danger de choc électrique

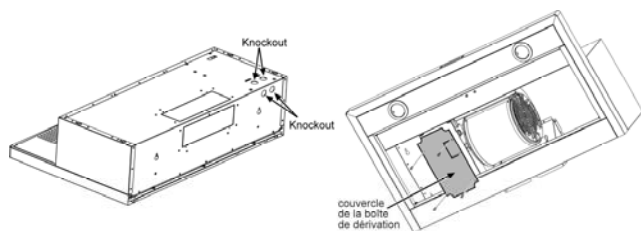
**AVERTISSEMENT : Coupez l'alimentation du circuit dans le panneau électrique avant de raccorder les fils de cet appareil.**

**Un circuit de 120 V c.a., de 15 ou 20 A est requis.**

INSTRUCTIONS DE MISE À LA TERRE  
CET APPAREIL EST MUNI D'UNE BOÎTE DE JONCTION ÉLECTRIQUE À TROIS FILS, DONT L'UN (VERT/JAUNE) SERT À METTRE L'APPAREIL À LA TERRE. POUR VOUS PROTÉGER CONTRE LES CHOC ÉLECTRIQUES, VOUS DEVEZ RACCORDER LE FIL VERT/JAUNE AU FIL DE MISE À LA TERRE DU SYSTÈME ÉLECTRIQUE DE VOTRE MAISON. EN AUCUNE CIRCONSTANCE CE FIL DOIT ÊTRE COUPÉ OU ENLEVÉ.

**Le fait de ne pas respecter cette directive peut entraîner la mort ou un choc électrique.**

Retirez l'alvéole défonçable et le couvercle de la boîte de jonction et installez un connecteur de canalisation (Listé dans cULus) dans la boîte de jonction.



Passez trois fils, le noir, le blanc et le vert, en respectant les normes du code national de l'électricité, ainsi que les codes et les ordonnances en vigueur dans votre région, dans une canalisation de 1/2 po, du panneau de service à la boîte de jonction.

Raccordez le fil noir du panneau de service au fil noir ou rouge de la boîte jonction, le blanc avec le blanc et le vert avec le vert/jaune.

Fermez le couvercle de la boîte de jonction.

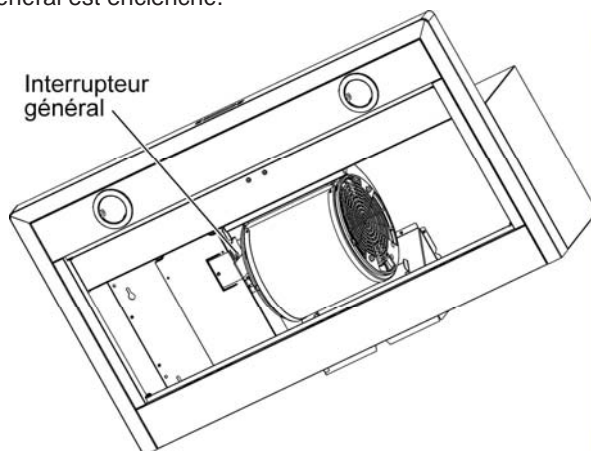
### Étape finale d'installation

Replacer les 2 appuis latéraux.

Replacer les filtres.

Vérifier que la hotte fonctionne.

**IMPORTANT :** si la hotte ne s'allume pas, avant de faire appel à un réparateur, vérifiez si l'interrupteur général est enclenché.



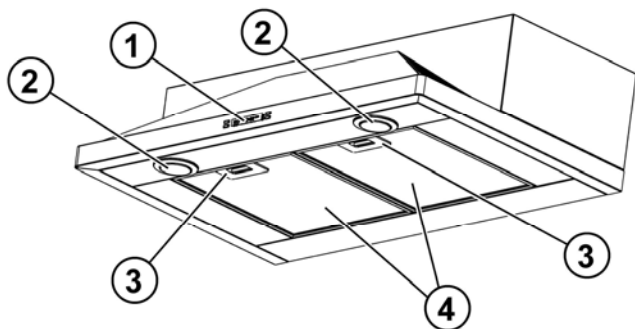
### Si la hotte ne fonctionne pas :

- Vérifiez que le disjoncteur ne s'est pas déclenché ou que le fusible n'est pas grillé.
- Débranchez l'alimentation. Vérifiez que les raccords électriques ont été effectués correctement.

**Pour utiliser votre nouvelle hotte de façon optimale, lisez la section intitulée " Entretien et utilisation ".**

**Gardez vos instructions d'installations et d'utilisation près de la hotte pour pouvoir vous y référer facilement.**

## Description de la hotte et des commandes



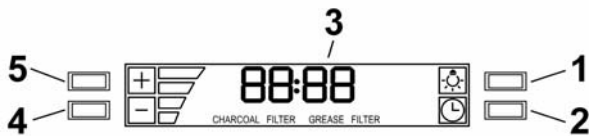
1. Boutons de commande du ventilateur et de la lampe
2. Lampe halogène
3. Poignée pour le filtre
4. Filtre à graisse

## Commandes

Utiliser la puissance d'aspiration maximum en cas de concentration très importante des vapeurs de cuisson. Nous conseillons d'allumer le dispositif d'aspiration 5 minutes avant de commencer la cuisson et de le faire fonctionner encore pendant 15 minutes environ après avoir terminé la cuisson.

**Remarque:** La hotte enregistre la dernière vitesse lorsque l'aspiration est coupée.

### Description du panneau de commandes



#### 1. Touche Lumière

- Appuyer sur la touche pour allumer la lumière "haute intensité" (état précédent lumière OFF).
- Appuyer sur la touche pour allumer la lumière "basse intensité" (état précédent lumière ON).
- Appuyer sur la touche pour éteindre la lumière (état précédent lumière ON).

#### 2. Touche Timer

- Le réglage par défaut du timer est de 10 minutes et il peut être ajusté entre 60 minutes et 1 minute.
- Le temps programmé par défaut est de 10 minutes et il peut être ajusté entre 1 minute et 60 minutes.
- Après avoir appuyé sur la touche "Timer", le système entre dans la modalité de réglage et l'utilisateur peut régler le temps de compte à rebours du timer en utilisant les touches "+" et "-" dans les 5 secondes.
- Si aucun réglage n'est effectué dans les 5 secondes suivant la sélection de la fonction "Timer" ou le réglage du temps, le compte à rebours commence.
- Durant le setup du "Timer", les touches "+" et "-" sont dédiées à la temporisation et ne font pas varier la vitesse du moteur.
- Une fois le compte à rebours commencé, il peut être annulé en appuyant sur la touche "Timer".

#### 3. Display

- Montre l'état de la hotte.
- Quand la hotte n'est pas en fonction, le display s'allume à faible intensité. En appuyant sur n'importe quelle touche, le display s'illumine à forte intensité.
- Quand la hotte est en fonction, le display s'allume à forte intensité. Si aucune touche n'est enfoncée pendant 1 minute, le display s'illumine de nouveau à faible intensité.

#### 4. "-" Touche diminution vitesse / OFF

- Cette touche est utilisée pour diminuer la vitesse du moteur et pour éteindre la hotte.
- Le moteur s'éteint en appuyant sur la touche "-" si la hotte se trouve à la première vitesse.
- Si le moteur se trouve à la deuxième vitesse et si l'on appuie sur la touche "-", le moteur passe à la première vitesse.
- Si le moteur se trouve à la troisième vitesse et si l'on appuie sur la touche "-", le moteur passe à la deuxième vitesse.
- Si le moteur se trouve à la quatrième vitesse et si

l'on appuie sur la touche "-", le moteur passe à la troisième vitesse.

- Si le moteur est éteint et que l'on appuie sur "-", le display s'illumine.

#### 5. "+" Touche augmentation vitesse / ON

- Cette touche est utilisée pour augmenter la vitesse du moteur et pour allumer la hotte.
- Le moteur s'allume en appuyant sur la touche "+" si la hotte se trouve en OFF.
- Si le moteur se trouve à la première vitesse et si l'on appuie sur la touche "+", le moteur passe à la deuxième vitesse.
- Si le moteur se trouve à la deuxième vitesse et si l'on appuie sur la touche "+", le moteur passe à la troisième vitesse.
- Si le moteur se trouve à la troisième vitesse et si l'on appuie sur la touche "+", le moteur passe à la quatrième vitesse.
- Si le moteur se trouve à la quatrième vitesse et si l'on appuie sur la touche "+", un beep est émis.

#### Programmation Horloge

- L'horloge peut être réglée à tout moment à l'exception de quand la fonction timer est activée.
- L'horloge peut être visualisée dans le format 12 heures avec un temps de visualisation compris entre 1:00 et 12:59.
- L'horloge peut être réglée en appuyant sur la touche "Timer" pendant 3 secondes, en agissant successivement sur les touches "+" et "-" pour régler l'heure.
- L'utilisateur peut augmenter/diminuer l'heure par pas d'1 minute, mais si la pression des touches "+"/"-" est de plus d'une seconde, l'augmentation/diminution se fera par 5 minutes. Durant cette opération, le contrôle arrondit aux 5 minutes les plus proches.
- L'utilisateur peut terminer la phase de réglage de l'heure en appuyant sur la touche "Timer".
- Après 1 minute sans avoir appuyé sur aucune touche, le contrôle accepte la valeur réglée et ajoute 1 minute à celle-ci et commence à compter.

#### Signal saturation Filtres anti-graisses (En option)

- Après 40 heures de fonctionnement du moteur, apparaît sur le display l'indication "Grease Filter" si le moteur est allumé. Quand ce signal apparaît sur le display, le filtre installé doit être lavé.
- Pour remettre à zéro le signal de saturation des filtres, l'utilisateur doit appuyer sur la touche "+" pendant 5 secondes, après quoi, le signal "Grease Filter" disparaît et le display montre l'état de fonctionnement.

#### Signal saturation Filtre au Carbone (En option)

- Après 120 heures de fonctionnement du moteur, apparaît sur le display l'indication "Charcoal Filter" si le moteur est allumé. Quand ce signal apparaît sur le display, le filtre à charbon installé doit être remplacé ou réactivé.
- Pour remettre à zéro le signal de saturation des filtres, l'utilisateur doit appuyer sur la touche "-" pendant 5 secondes, après quoi, le signal "Charcoal Filter" disparaît et le display montre l'état de fonctionnement.

### **Activation/Désactivation signal acoustique**

- Les signaux sonores peuvent être activés ou désactivés en appuyant sur la touche "Lumière" pendant 5 secondes.
- Si le signal sonore est activé, un son est émis et le symbole "Snd" doit apparaître sur le display pendant 3 secondes.
- Si le signal sonore est désactivé, le symbole "Snd" doit apparaître sur le display pendant 3 secondes et aucun son ne doit être émis.

### **Activation/Désactivation signal Filtre Charbon (version Filtrante)**

- L'activation et la désactivation du signal saturation filtre charbon peut être réglé en appuyant simultanément pendant 5 secondes sur les touches "-" e "+".
- L'activation ou la désactivation doit être réglée avec moteur et lampes OFF.
- Quand le signal Filtre Charbon est désactivé, l'alarme est déshabillée.

### **Alarme Température**

- La hotte est équipée d'un détecteur de température qui active le moteur en troisième vitesse dans le cas où la température de la zone environnante soit trop élevée (supérieure à **149° F** ou **65° C**).
- Si le moteur est OFF ou en première vitesse, et si l'alarme intervient, le moteur se positionne automatiquement à la troisième vitesse et sur le display apparaîtra le signal "**CarE**".
- Durant cet état, l'utilisateur peut uniquement augmenter la vitesse du moteur.
- Quand la température retourne sous le seuil d'alarme, le moteur retourne dans sa condition précédente à l'alarme.

# Entretien

**Attention! Avant toute opération de nettoyage ou d'entretien, débrancher la hotte du circuit électrique en enlevant la prise ou en coupant l'interrupteur général de l'habitation.**

## Nettoyage

**Ne pas vaporiser de nettoyants directement sur le panneau de contrôle lors du nettoyage de la Hotte**

La hotte doit être régulièrement nettoyée à l'intérieur et à l'extérieur (au moins à la même fréquence que pour l'entretien des filtres à graisse). Pour le nettoyage, utiliser un chiffon humidifié avec un détergent liquide neutre. Ne pas utiliser de produit contenant des abrasifs.

**NE PAS UTILISER D'ALCOOL!**

**ATTENTION:**

Il y a risque d'incendie si vous ne respectez pas les instructions concernant le nettoyage de l'appareil et le remplacement ou le nettoyage du filtre.

La responsabilité du constructeur ne peut en aucun cas être engagée dans le cas d'un endommagement du moteur ou d'incendie liés à un entretien négligé ou au non respect des consignes de sécurité précédemment mentionnées.

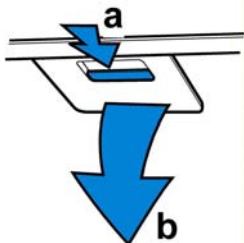
## Filtre à graisse

**Il retient les particules de graisse issues de la cuisson.**

Le filtre doit être nettoyé une fois par mois avec des détergents non agressifs, à la main ou dans le lave-vaisselle à faibles températures et cycle rapide.

Le lavage du filtre anti-graisse métallique au lave-vaisselle peut en provoquer la décoloration. Toutefois, les caractéristiques de filtrage ne seront en aucun cas modifiées.

Pour démonter le filtre anti-graisse, tirer la poignée de décrochement à ressort.

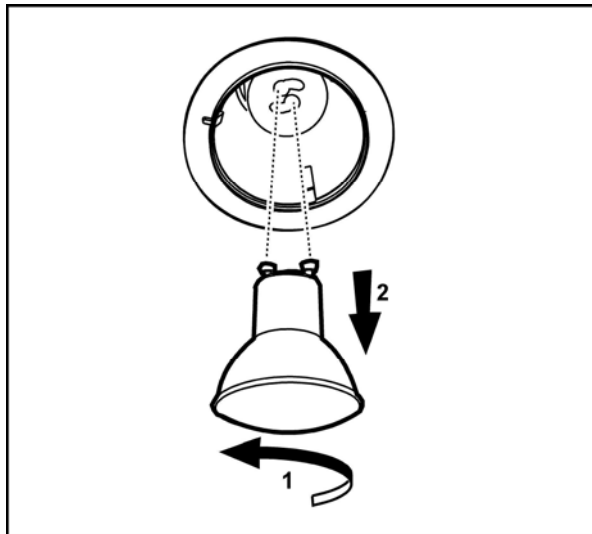


## Remplacement des ampoules

**ATTENTION**

Avant de remplacer les lampes, couper le courant au niveau de la boîte à fusible et verrouiller cette dernière pour prévenir tout risque qu'on remette le courant accidentellement.

**NOTE: Couper l'aspiration et les lampes. Laisser les lampes refroidir avant de les manipuler. Si les nouvelles ampoules ne fonctionnent pas, s'assurer qu'elles sont insérées correctement avant d'appeler le service clientèle.**



## Remplacer les ampoules

- Enlever l'ampoule défectueuse ( tourner dans le sens inverse des aiguilles d'une montre ) et la remplacer avec une nouvelle ampoule halogène de 120 Volt, 50 Watt ( maximum ), 50° prévue pour une base GU10, **et convenant pour une utilisation dans les lampadaires.**

## Filtres à charbon

Si le système n'a pas d'évacuation vers l'extérieur, l'air va circuler à travers des filtres à charbon jetables qui vont aider à éliminer fumée et odeurs.

Les filtres à charbon ne doivent pas être nettoyés.

Ils doivent être remplacés.

Posez le filtre à charbon comme couverture de la grille qui protège le moteur aspirant de manière que les fentes présentes sur le filtre correspondent aux pivots sur les côtés de la grille protège-moteur.

Tournez le filtre à charbon dans le sens des aiguilles d'une montre pour le bloquer (fixation à baïonnette).

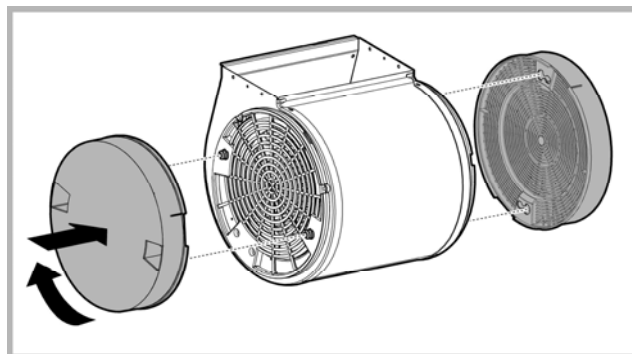
Les filtres à charbon doivent être remplacés après 4 à 6 mois en fonction de l'utilisation de la hotte .

**NOTE :** NE PAS rincer, ou mettre les filtres à charbon au lave-vaisselle.

**NOTE :** Les filtres à charbon NE sont PAS inclus dans la hotte.

Ils doivent être commandés chez votre revendeur.

Commander le kit nécessaire en spécifiant votre modèle de hotte et sa largeur.





# Garantie

## GARANTIE DE DEUX ANS *ELICA North America*

### POUR OBTENIR UN DEPANNAGE SOUS GARANTIE

Le propriétaire doit présenter une preuve de la date d'achat. Garder une copie de votre preuve d'achat datée (ticket de caisse) de façon à pouvoir bénéficier du service après-vente sous garantie.

### GARANTIE PIÈCES DE RECHANGE ET MAIN D'OEUVRE

Pendant une période de deux (2) ans à partir de la date d'achat, Elica s'engage à fournir gratuitement les pièces de rechange ou les composants autres que les recharges ayant des défauts de fabrication. Durant cette garantie de deux (2) ans, Elica fournira également gratuitement, toute la main d'oeuvre et le service à domicile pour remplacer d'éventuelles pièces défectueuses.

### CE QUE LA GARANTIE NE COUVRE PAS

- Dégât ou panne du produit causé par un accident ou un cas de force majeure tels que inondation, incendie ou tremblement de terre.
- Dégât ou panne du produit causé par modification du produit ou utilisation de pièces pas d'origine.
- Dégât ou panne du produit causé lors de la livraison, de la manipulation ou de l'installation.
- Dégât ou panne du produit causé par une mauvaise utilisation.
- Dégât ou panne du produit causé par un remplacement des fusibles ou une remise en fonction des disjoncteurs par le propriétaire.
- Dégât ou panne du produit causé par une utilisation du produit pour raison commerciale.
- Déplacement à domicile pour explication d'utilisation ou d'entretien.
- Ampoules, filtres métalliques ou au charbon et toute autre pièce consommable.
- Usure normale.
- Usure due à une mauvaise utilisation du propriétaire, un entretien incorrect, une utilisation de substances nettoyantes corrosives ou abrasives et produits de nettoyage pour four.

### QUI EST COUVERT

Cette garantie s'étend à l'acheteur original de produits achetés pour un usage domestique habituel en Amérique du Nord (Y compris Etats Unis, Guam, Porto Rico, les Iles virgins Américaines & le Canada).

Cette garantie n'est pas transférable et vaut uniquement pour l'acheteur original et ne s'étend pas aux propriétaires successifs du produit. Cette garantie vaut expressément en lieu et place de toute autre garantie, expresse ou sous-entendue, mais ne limite pas toute autre garantie sous-entendue de marchandage ou adaptation dans un but particulier et toute autre obligation de la part de Elica North America, étant entendu, cependant, que si la réclamation pour garanties sous-entendues n'est pas applicable aux yeux de la loi en vigueur, la durée de toute garantie sous-entendue émanant de la loi doit être limitée à deux (2) ans à partir de la date d'achat du produit ou à une période plus longue selon ce que dit la loi en vigueur.

Cette garantie ne couvre pas tout dégât particulier, accidentel et/ou consécutif, ni les pertes et profits, à charge du propriétaire, des ses clients et/ou des utilisateurs Des produits.

### QUI CONTACTER

Pour obtenir un Service Après-vente durant la Garantie ou pour toute autre Question liée au Service Après-vente

Appeler:

- Service Après-vente autorisé Elica North America au (888) 732-8018

Ou écrire à:

- Elica North America, A l'Attention du Service Client, 222 Merchandise Mart Plaza Suite 947, Chicago, IL 60654 USA

# Spanish

## Contenido

<b>Aviso de seguridad importante</b> .....	<b>35</b>
<b>Requisitos eléctricos y de instalación</b> .....	<b>36</b>
Requisitos eléctricos .....	36
Antes de instalar la campana .....	36
<b>Lista de materiales</b> .....	<b>37</b>
Piezas suministradas .....	37
Piezas no suministradas .....	37
<b>Dimensiones y Espacios libres</b> .....	<b>38</b>
<b>Tipos de ductos y ejemplos</b> .....	<b>39</b>
Métodos de ventilación .....	39
Preparación .....	39
<b>Instalación</b> .....	<b>40</b>
Instalación - Versión con tubos .....	40
Instalación - Versión sin tubos (Recirculación) .....	43
<b>Descripción de la campana y los controles</b> .....	<b>45</b>
Controles .....	46
<b>Mantenimiento</b> .....	<b>48</b>
Limpieza .....	48
Filtro contra la grasa .....	48
Sustitución de la bombilla .....	48
Filtros de Carbón .....	48
<b>Garantía</b> .....	<b>49</b>

**APROBADO PARA APARATOS DE USO DOMÉSTICO  
SÓLO PARA USO DOMÉSTICO  
LEA Y GUARDE ESTAS INSTRUCCIONES**

**ANTES DE CONTINUAR, LEA LAS INSTRUCCIONES POR COMPLETO.**

**LA INSTALACIÓN DEBE CUMPLIR TODA LA NORMATIVA LOCAL.**

**IMPORTANTE:** guarde estas instrucciones para su uso por parte del inspector de electricidad local.

**INSTALADOR:** entregue al propietario estas instrucciones junto con la unidad.

**PROPIETARIO:** conserve estas instrucciones para futuras consultas.

**Advertencia de seguridad:** antes de realizar el cableado de este aparato, desactive el circuito de energía eléctrica en el panel de servicio y desbloquee el panel.

**Requisito:** Circuito auxiliar de CA de 120 V, 60 Hz, 15 ó 20 A

# LEA Y GUARDE ESTAS INSTRUCCIONES

## Aviso de seguridad importante

### PRECAUCIÓN

**SÓLO PARA USO DE VENTILACIÓN GENERAL. NO UTILIZAR PARA EXPULSAR VAPORES O MATERIALES PELIGROSOS O EXPLOSIVOS.**

### ADVERTENCIA

**PARA REDUCIR EL RIESGO DE FUEGO, DESCARGA ELÉCTRICA O LESIONES PERSONALES, RESPETE LO SIGUIENTE:**

- A. Utilice esta unidad solamente en el modo que indica el fabricante. En caso de duda, póngase en contacto con el fabricante.
- B. Antes de reparar o limpiar la unidad, desconecte la alimentación en el panel de servicio y bloquee los medios de desconexión del panel de servicio para evitar la conexión accidental de la alimentación. Si no es posible bloquear los medios de desconexión del panel de servicio, coloque un dispositivo de advertencia que destaque como, por ejemplo, una etiqueta, en el panel de servicio.
- C. La instalación y el cableado eléctrico deben realizarlos personas cualificadas de acuerdo con las normativas y los estándares aplicables, incluida la construcción ignífuga.
- D. Es necesaria una ventilación suficiente para la correcta combustión y expulsión de gases por la salida de humos (Chimenea) del equipo de combustión de carburante para evitar el contratiro. Siga las directrices de fabricantes de equipos de calefacción y los estándares de seguridad como los publicados por la National Fire Protection Association (NFPA), American Society for Heating, Refrigeration and Air Conditioning Engineers (ASHRAE) y las normativas locales.
- E. Al efectuar orificios en una pared o techo, no dañe el cableado eléctrico y otras instalaciones ocultas.
- F. Los sistemas instalados mediante conducto deben tener ventilación con salida al exterior.

### PRECAUCIÓN

**Para reducir el riesgo de fuego y conseguir una salida del aire correcta, asegúrese de conducir el aire hacia el exterior. No permita que el aire se expulse en espacios situados en el interior de muros, techos, desvanes, sótanos de pequeña altura o garajes.**

### ADVERTENCIA

**PARA REDUCIR EL RIESGO DE FUEGO, UTILICE SOLAMENTE TUBOS METÁLICOS.**

Instale esta campana de acuerdo con los requisitos especificados.

### ADVERTENCIA

**Para reducir el riesgo de fuego o descarga eléctrica, no utilice esta campana con ningún dispositivo externo en estado sólido para el control de la velocidad.**

### ADVERTENCIA

**PARA REDUCIR EL RIESGO DE INCENDIO OCASIONADO POR GRASA:**

- a) No deje nunca ninguna unidad externa desatendida y con valores de fuego altos. La cocción puede causar humo o reboses de grasa que pueden prender fuego. Caliente el aceite a fuego lento o medio.
- b) Encienda siempre la campana cuando cocine a una temperatura alta o cuando realice flameados (Por

ejemplo, crepes Suzette, cerezas flameadas, ternera a la pimienta flameada).

- c) Limpie con frecuencia los ventiladores. No permita que la grasa se acumule en el ventilador o filtro.
- d) Utilice un tamaño de sartén adecuado. Utilice siempre piezas de batería de cocina adecuadas al tamaño del elemento de superficie.

### ADVERTENCIA

**PARA REDUCIR EL RIESGO DE LESIONES PERSONALES, EN CASO DE FUEGO OCASIONADO POR GRASA, TENGA EN CUENTA LO SIGUIENTE:**

- a) **EXTINGA LAS LLAMAS** con una tapa ajustada, una lámina para hacer galletas u otro tipo de bandeja metálica y apague el quemador de gas o elemento eléctrico. **TENGA CUIDADO PARA EVITAR QUEMADURAS.** Si las llamas no se extinguen inmediatamente, **DESALOJE EL LUGAR Y LLAME A LOS BOMBEROS.**
- b) **NUNCA TOME UNA SARTÉN EN LLAMAS**, podría sufrir quemaduras.
- c) **NO UTILICE AGUA**, incluidas bayetas o toallas húmedas ya que se produciría una violenta explosión de vapor.
- d) Utilice un extintor **SÓLO** si:
  - 1) Sabe que dispone de un extintor de la clase ABC y conoce su funcionamiento.
  - 2) El fuego es pequeño y se encuentra en la misma zona donde se inició.
  - 3) Ha llamado a los bomberos.
  - 4) Puede luchar contra el fuego teniendo una salida a su espalda.

### FUNCIONAMIENTO

a. Coloque siempre las rejillas y los filtros de seguridad en su lugar correspondiente. Sin estos componentes, los ventiladores en funcionamiento podrían atrapar su pelo, sus dedos o su ropa.

El fabricante declina toda responsabilidad en caso de fallo de cumplimiento de las instrucciones aquí facilitadas para la instalación, el mantenimiento y el uso adecuado del producto. El fabricante declina además toda responsabilidad por daños ocasionados por negligencia y la garantía de la unidad queda cancelada automáticamente como consecuencia de un mantenimiento incorrecto.

### PRECAUCIÓN

**Equipo Operado Automáticamente - Para Reducir El Riesgo De Lastimarse Desconecte De La Línea Antes De Dar Servicio.**

**Esta unidad esta equipada con un interruptor integral de desconexión localizado al interior de la carcasa del ventilador.**

# Requisitos eléctricos y de instalación

## Requisitos eléctricos

### IMPORTANTE

cumpla todas las normativas y ordenanzas gubernamentales.

Es responsabilidad del cliente:

Ponerse en contacto con un instalador eléctrico cualificado. Asegurarse de que la instalación eléctrica es adecuada y en conformidad con National Electrical Code, ANSI/NFPA 70 (última edición\*) o CSA Standards C22.1-94, Canadian Electrical Code, Parte 1 y C22.2 No.0-M91 (última edición\*) y toda la normativa y las ordenanzas locales.

Si la normativa lo permite y se utiliza un cable de toma a tierra independiente, se recomienda que un electricista cualificado determine si la difracción de onda de tierra es la adecuada.

No ubique la toma a tierra en una tubería de gas.

Si no está seguro de que la campana está correctamente conectada a tierra, consulte a un electricista cualificado.

No coloque ningún fusible en el circuito neutral o con vuelta por tierra.

### IMPORTANTE

Guarde las instrucciones de instalación para su uso por parte del inspector de electricidad.

La campana debe estar conectada únicamente con hilo de cobre.

La campana debe estar conectada directamente al desconectador con fusible (O disyuntor) mediante canal metálico de cables eléctricos.

Los tamaños de cable deben cumplir los requisitos de la National Electrical Code, ANSI/NFPA 70 (última edición\*) o CSA Standards C22.1-94, Canadian Electrical Code, Parte 1 y C22.2 No.0-M91 (última edición\*) y toda la normativa y las ordenanzas locales.

Es preciso colocar un conector de canal de cables enumerado en U.L. o C.S.A. en cada extremo del canal de cables de fuente de alimentación (En la campana y en la caja de conexiones).

Se pueden obtener copias de los estándares enumerados en:

\* National Fire Protection Association Batterymarch Park Quincy, Massachusetts 02269

\*\* CSA International 8501 East Pleasant Valley Road Cleveland, Ohio 44131-5575

## Antes de instalar la campana

1. Para obtener una circulación del flujo de aire más eficaz, utilice un tubo de tramo recto o el menor número posible de tubos acodados.  
**PRECAUCIÓN:** el conducto de ventilación solamente debe tener salida hacia la parte exterior del edificio.
2. Para realizar la instalación, se necesitan al menos dos personas.
3. La campana se ajusta mediante material adecuados para la mayoría de superficies; consulte a un instalador cualificado para comprobar si quedan perfectamente ajustados al armario o a la pared.
4. No emplee tubos flexibles.
5. Las instalaciones en **CONDICIONES CLIMÁTICAS FRÍAS** deben tener instalado un regulador de contratiro adicional para minimizar el flujo de aire inverso y una rotura térmica no metálica para minimizar la conducción de temperaturas externas como parte de los tubos. El regulador debe encontrarse en la parte de aire frío de la rotura térmica.  
La rotura debe estar lo más cerca posible al lugar donde los tubos entran en la parte caliente de la casa.
6. Aire limpio: Las normativas locales para edificios pueden requerir el uso de sistemas de aire limpio cuando se utilizan sistemas de ventilación mediante tubos superiores al CFM especificado de movimiento de aire. El CFM especificado varía de una zona a otra. Para conocer los requisitos específicos de su zona, consulte a un profesional de HVAC.

# Lista de materiales

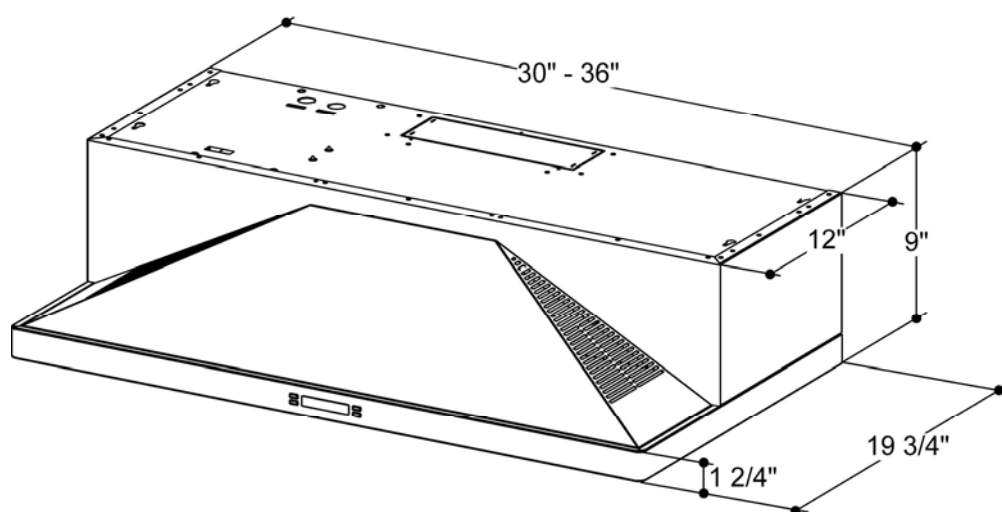
## Piezas suministradas

- Montaje campana.
- Metal de transición rectangular con compuertas de contratiro
- Cura y Uso / Instrucciones de Instalación
- Filtros
- 3 tornillos 4x8 (para montar el transición rectangular)
- 6 tornillos 4,5x13
- 4 tornillos 5x45
- 4 anclajes 8x40

## Piezas no suministradas

- Tubos, canal de cables y todas las herramientas necesarias para la instalación.
- **Kit de conversión sin tubos** solamente se puede utilizar en la **versión sin tubos (Recirculación)** **incluye:** filtro de carbón vegetal.
- Transición redondo de 8".

## Dimensiones y Espacios libres



# Tipos de ductos y ejemplos

**Siga detenidamente las instrucciones expuestas en este manual.**

Se declina toda responsabilidad de cualquier inconveniencia, daños o incendios eventuales ocasionados por el incumplimiento de las instrucciones de este manual.

## Métodos de ventilación

### Descarga de los gases de combustión

La campana ha sido diseñada para una descarga vertical u horizontal o puede ser instalada en una versión de recirculación sin conducto:

#### Descarga vertical:

Usar un conducto rectangular 3 1/4" x 10".

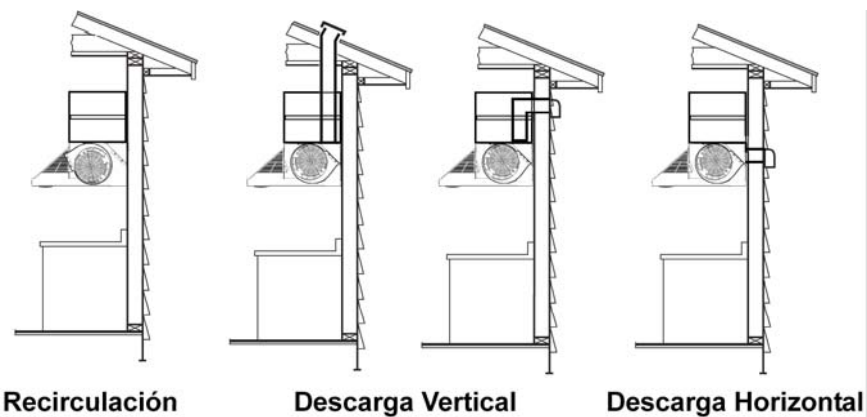
#### Descarga horizontal:

Usar un conducto rectangular de 3 1/4" x 10".

Recirculación (sin conducto de descarga).

**NOTA: Sólo para versión sin tubos (Recirculación): adquiera el kit de conversión sin tubos.**

**Tamaño mínimo de tubo (Versión con o sin tubos): Tubería rectangular 3-1/4" x 10".**



## Preparación

No corte una vigueta o un perno a menos que sea absolutamente necesario. Si fuera necesario efectuar el corte, deberá construirse un marco de soporte.

Se suministra el material de ajuste necesario para fijar la campana a la mayoría de tipos de muro o techo.

No obstante, un técnico cualificado debe comprobar la idoneidad de los materiales de acuerdo con el tipo de muro o techo.

Antes de efectuar ningún corte, asegúrese de existe espacio libre adecuado en el techo o muro para la expulsión del aire.

La preferencia de la altura de instalación de la campana de los usuarios es por encima de la cocina. Cuanto más cerca esté la campana de la cocina, mas eficaz resultará la captura de olores, grasa y humos.

**PRECAUCIÓN: PARA LA INSTALACION DE ESTUFAS DE GAS: INSTALE ESTA CAMPANA DE TAL MANERA QUE LA CORNISA INFERIOR SE ENCUENTRE A 30" (76,2 CM) SOBRE LA SUPERFICIE DE COCCION.**

**PARA LA INSTALACION DE ESTUFAS ELECTRICAS: INSTALE ESTA CAMPANA DE TAL MANERA QUE LA CORNISA INFERIOR SE ENCUENTRA A NO MENOS DE 24" (61 CM) Y NO MAS DE 30" (76,2 CM) SOBRE LA SUPERFICIE DE COCCION.**

**PARA USO ELECTRODOMESTICO. POR FAVOR, LEA EL MANUAL DE INSTALACION PARA UNA INSTALACION ESPECIFICA.**

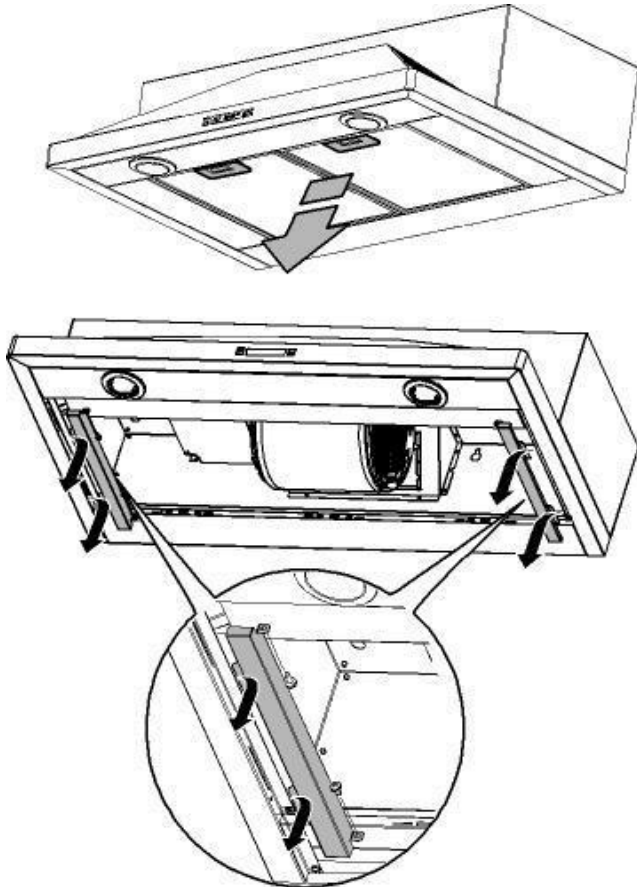
Antes de seleccionar la campana, compruebe la altura del techo y la altura máxima de la campana.

# Instalación

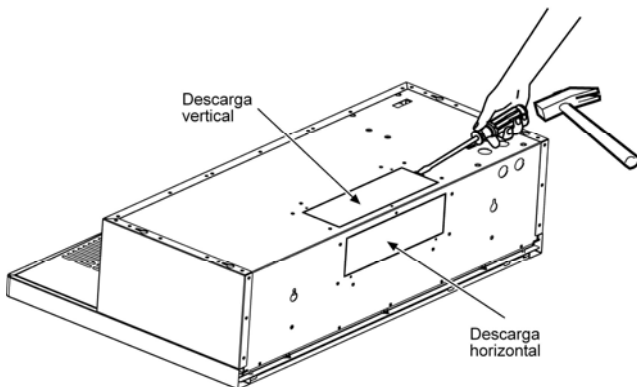
## Instalación - Versión con tubos

Después de haber escogido la opción de descarga, proceder como sigue:

Quitar los filtros de grasa.  
Quitar las 2 ayudas laterales

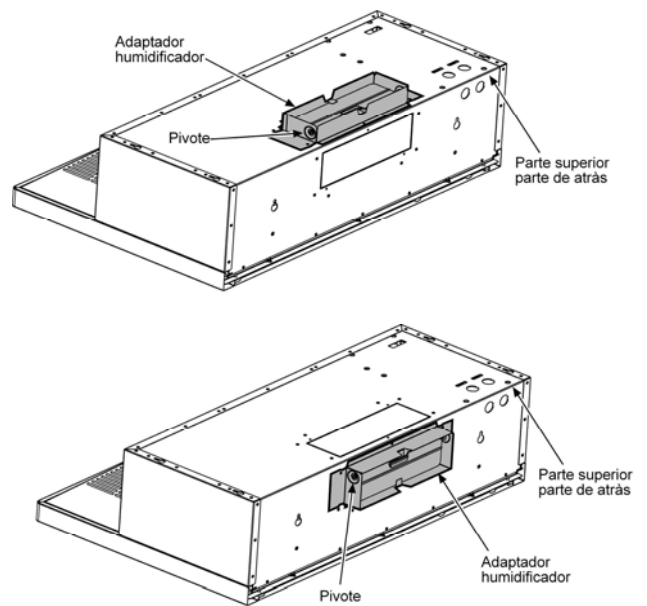


Quitar las piezas removibles del conducto usando un desatornillador plano y un martillo pequeño. De unos pequeños golpes para remover la cubierta, utilizando el martillo y el desatornillador de forma similar a la que se hace con un cincel. Ponga atención a los filos cortantes.



Adjuntar el adaptador /humidificador encima de las piezas removibles con dos tornillos del adaptador de descarga. Asegurarse que el pivote esté más cercano en la parte superior/parte de atrás de la campana.  
Quitar la cinta de la tapa del humidificador.

**NOTA:** El adaptador /humidificador puede ser instalado hasta 1 pulgada adelante en cualquier lado del centro de la campana para acomodar el trabajo del conducto descentrado. En las instalaciones extremas descentradas, un fin del conector del conducto, podría ser arreglado para aclarar la abrazadera del cable eléctrico.



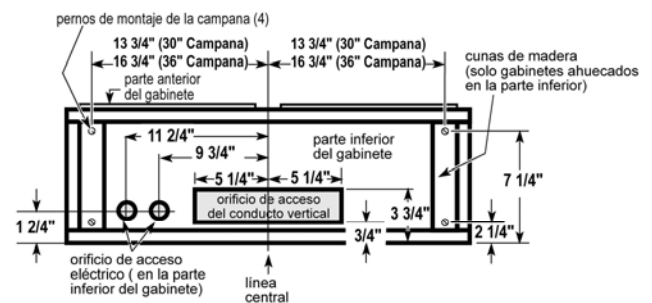
## Marcar los orificios

Seleccionar la opción de descarga que requiere su instalación y proceder a esa sección:

### Extractor superior exterior

(Conducto vertical - 3 1/4" x 10" Rectangular)

Usar el diagrama o la campana como plantilla y marcar los puntos en el gabinete para el trabajo del conducto, la instalación eléctrica y las ranuras del tornillo de la cerradura.

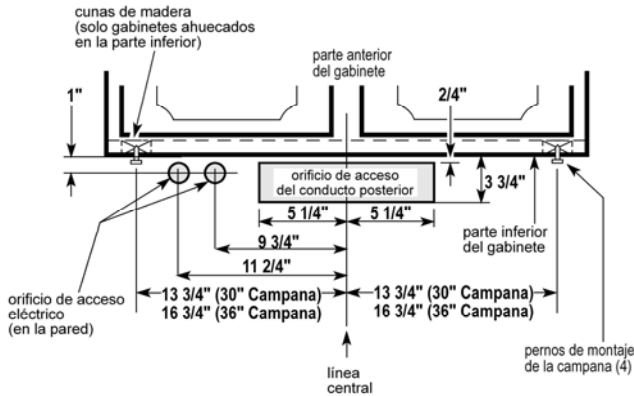




### Extractor posterior exterior

( Conduto Horizontal 3 1/4"x 10" Rectangular)

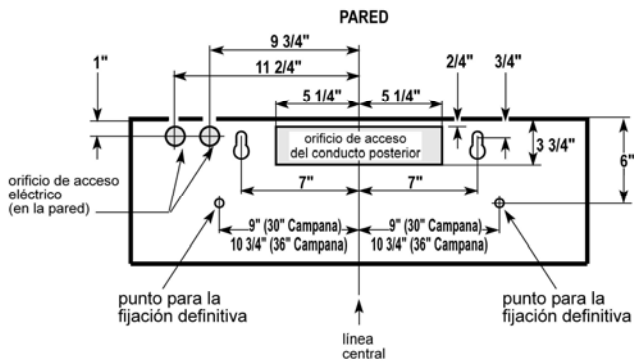
- Usar el diagrama o la campana como plantilla y marcar los puntos en el gabinete para el trabajo del conducto, la instalación eléctrica y las ranuras del tornillo de la cerradura.



### Instalación a la pared

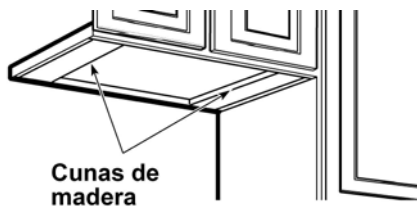
( Conduto Horizontal 3 1/4"x 10" Rectangular)

- Usar el diagrama o la campana como plantilla y marcar los puntos en la pared para el trabajo del conducto, la instalación eléctrica y las ranuras del tornillo de la cerradura.



### Sólo para gabinetes ahuecados:

Si los gabinetes tienen ajuste frontal, lateral o trasero, hacer 2 cunas de madera de la anchura de la guarnición y átelos al hueco del fondo en ambos lados.



Cortar los agujeros en los puntos marcados para el conducto y la instalación eléctrica. Para el conducto vertical, recorte 3 / 4" extra hacia el frente del gabinete para poder mover el conducto libremente al instalar la campana. Al mismo tiempo facilita la instalación cortando el agujero a 10 1/2" en vez de 10

Atornillar un perno de montaje (del paquete de piezas) dividir las partes en cada centro en el cuello estrecho de las hendeduras del ojo de la cerradura marcado en el fondo del gabinete.

Fijar la canalización de la instalación eléctrica en la campana.

Deslizar la campana atrás contra la pared. Apretar los pernos de montaje. Asegúrese que las cabezas del tornillo estén en el cuello estrecho hendeduras del ojo de la cerradura marcado en el fondo del gabinete Conectar el conducto a la campana.

### Conexión eléctrica

#### ADVERTENCIA

#### Peligro de descarga eléctrica

**Advertencia:** antes de realizar el cableado de este aparato, desactive el circuito de energía eléctrica en el panel de servicio.

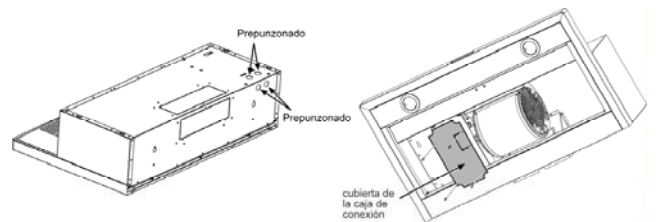
**Se requiere un circuito 120 VAC, 15 ó 20 A.**

#### INSTRUCCIONES DE TOMA ELÉCTRICA

ESTE APARATO DISPONE DE UNA CAJA DE CONEXIONES ELÉCTRICAS CON 3 CABLES, UNO DE LOS CUALES (VERDE Y AMARILLO) SIRVE COMO TOMA DE TIERRA PARA EL APARATO PARA PROTEGERSE DE DESCARGAS ELÉCTRICAS, EL CABLE VERDE Y AMARILLO DEBE ESTAR CONECTADO AL CABLE DE TOMA A TIERRA DE SU SISTEMA DOMÉSTICO DE ELECTRICIDAD Y BAJO NINGUNA CIRCUNSTANCIA DEBE CORTARSE O ELIMINARSE.

**De lo contrario, podría tener como resultado una descarga eléctrica o la muerte.**

Retire el pestillo extraíble y la tapa de la caja de conexiones e instale el conector de canal de cables (Enumerado en cULUS) en la caja de conexiones.



Coloque 3 cables (Negro, blanco y verde) de acuerdo con el National Electrical Code y la normativa y las ordenanzas locales en el canal de cables de 1/2" del panel del servicio a la caja de conexiones.

Conecte el cable negro del panel de servicio al cable negro o rojo de la caja de conexiones, el cable blanco al blanco y el verde al verde-amarillo.

Cierre la tapa de la caja de conexiones.

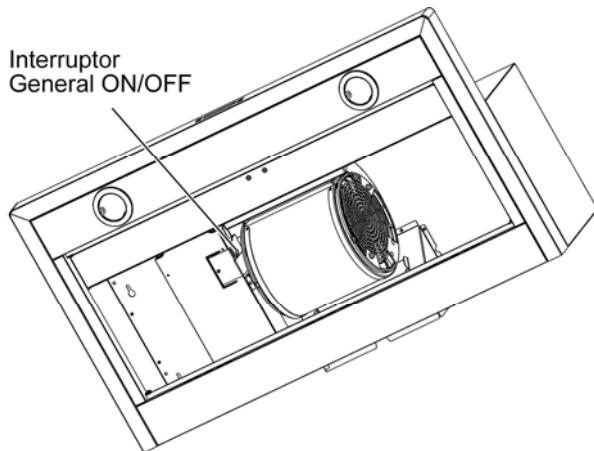
**Últimos pasos para la instalación:**

Reemplazar las 2 ayudas laterales

Reemplazar los filtros.

Controlar el funcionamiento de la campana.

**IMPORTANTE:** Si la Campana no se enciende, antes de llamar al servicio técnico, controle que el interruptor general ON/OFF esté en ON.

**Si la campana extractora no funciona:**

- Compruebe si el disyuntor está desconectado o se han fundido los fusibles.
- Desconecte el suministro eléctrico. Compruebe si el cableado es correcto.

**Para conseguir el funcionamiento más eficaz de la nueva campana extractora, lea la sección "Uso y mantenimiento".**

**Para disponer de una referencia sencilla, siga las Instrucciones de instalación y la Guía de uso y mantenimiento.**

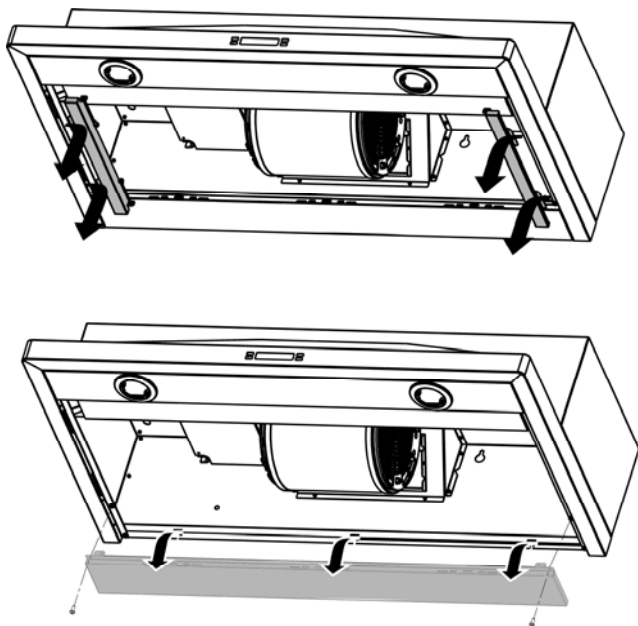
## Instalación -Versión sin tubos (Recirculación)

### ¡Atención!

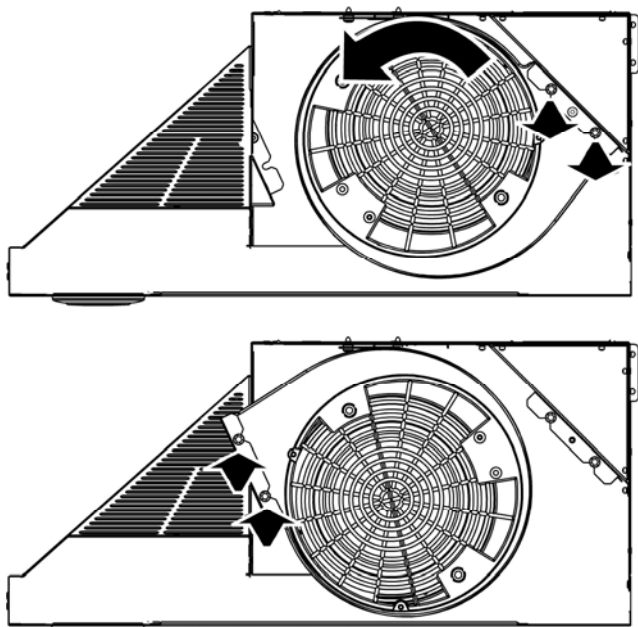
Si se piensa usar la campana en versión de recirculación, no quitar ninguna pieza removible del conducto y pedir el filtro de carbón necesario a su proveedor.

Quitar los filtros de grasa.

Quite las 2 ayudas laterales y la posterior.

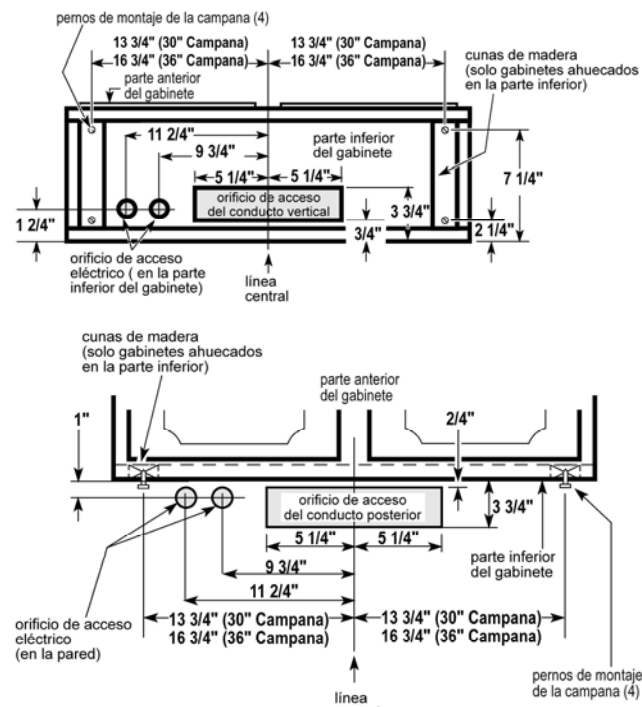


Rote el ventilador destornillando los 2 tornillos de fijación.



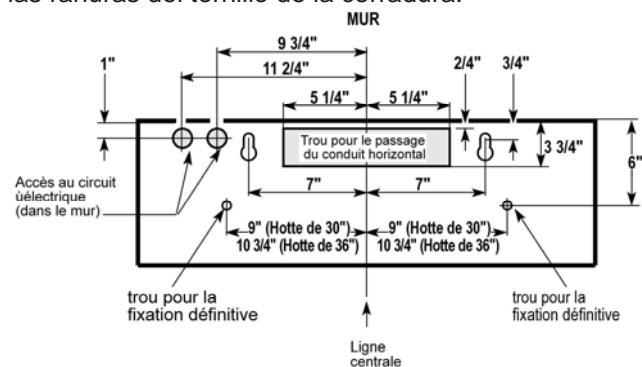
Instale la ayuda posterior.

Usar el diagrama o la campana como plantilla y marcar los puntos en el gabinete para la instalación eléctrica y las ranuras del tornillo de la cerradura



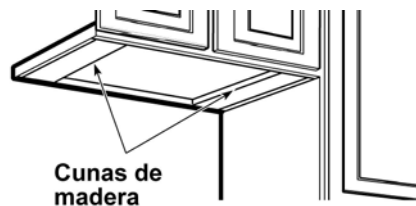
### Instalación a la pared

• Usar el diagrama o la campana como plantilla y marcar los puntos en la pared para la instalación eléctrica y las ranuras del tornillo de la cerradura.



### Sólo para gabinetes ahuecados:

Si los gabinetes tienen ajuste frontal, lateral o trasero, hacer 2 cunas de madera de la anchura de la garnición y átelos al hueco del fondo en ambos lados.



Cortar los agujeros en los puntos marcados para el conducto y la instalación eléctrica. Para el conducto vertical, recorte 3 / 4" extra hacia el frente del gabinete para poder mover el conducto libremente al instalar la campana. Al mismo tiempo facilita la instalación cortando el agujero a 10 1/2" en vez de 10

Atornillar un perno de montaje (del paquete de piezas) dividir las partes en cada centro en el cuello estrecho de las hendeduras del ojo de la cerradura marcado en el fondo del gabinete.

Fijar la canalización de la instalación eléctrica en la campana.

Deslizar la campana atrás contra la pared. Apretar los pernos de montaje. Asegúrese que las cabezas del tornillo estén en el cuello estrecho hendeduras del ojo de la cerradura marcado en el fondo del gabinete Conectar el conducto a la campana.

### Conexión eléctrica

#### ADVERTENCIA

#### Peligro de descarga eléctrica

**Advertencia: antes de realizar el cableado de este aparato, desactive el circuito de energía eléctrica en el panel de servicio.**

**Se requiere un circuito 120 VAC, 15 ó 20 A.**

INSTRUCCIONES DE TOMA ELÉCTRICA  
ESTE APARATO DISPONE DE UNA CAJA DE CONEXIONES ELÉCTRICAS CON 3 CABLES, UNO DE LOS CUALES (VERDE Y AMARILLO) SIRVE COMO TOMA DE TIERRA PARA EL APARATO PARA PROTEGERSE DE DESCARGAS ELÉCTRICAS, EL CABLE VERDE Y AMARILLO DEBE ESTAR CONECTADO AL CABLE DE TOMA A TIERRA DE SU SISTEMA DOMÉSTICO DE ELECTRICIDAD Y BAJO NINGUNA CIRCUNSTANCIA DEBE CORTARSE O ELIMINARSE.

**De lo contrario, podría tener como resultado una descarga eléctrica o la muerte.**

Retire el pestillo extraíble y la tapa de la caja de conexiones e instale el conector de canal de cables (Enumerado en cULUS) en la caja de conexiones.



Coloque 3 cables (Negro, blanco y verde) de acuerdo con el National Electrical Code y la normativa y las ordenanzas locales en el canal de cables de 1/2" del panel del servicio a la caja de conexiones.

Conecte el cable negro del panel de servicio al cable negro o rojo de la caja de conexiones, el cable blanco al blanco y el verde al verde-amarillo.

Cierre la tapa de la caja de conexiones.

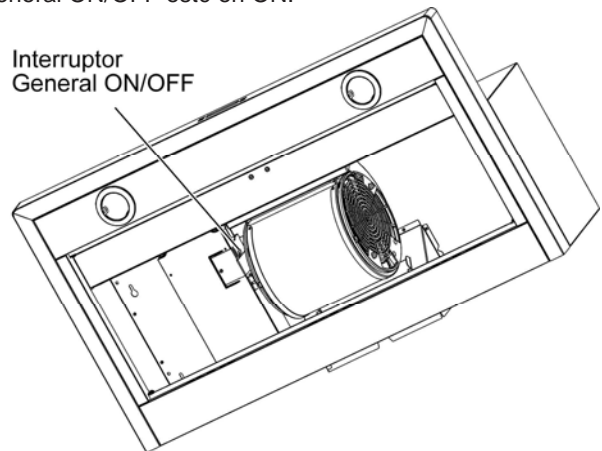
### Últimos pasos para la instalación:

Reemplazar las 2 ayudas laterales

Reemplazar los filtros.

Controlar el funcionamiento de la campana.

**IMPORTANTE:** Si la Campana no se enciende, antes de llamar al servicio técnico, controle que el interruptor general ON/OFF esté en ON.



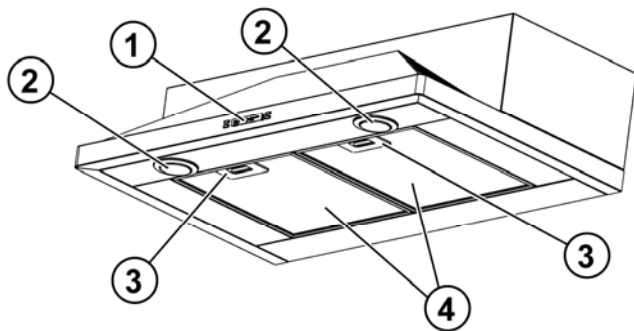
### Si la campana extractora no funciona:

- Compruebe si el disyuntor está desconectado o se han fundido los fusibles.
- Desconecte el suministro eléctrico. Compruebe si el cableado es correcto.

**Para conseguir el funcionamiento más eficaz de la nueva campana extractora, lea la sección "Uso y mantenimiento".**

**Para disponer de una referencia sencilla, siga las Instrucciones de instalación y la Guía de uso y mantenimiento.**

## Descripción de la campana y los controles



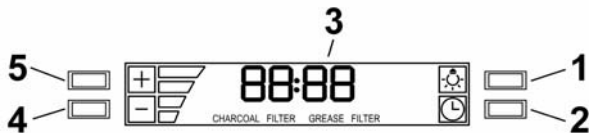
1. Aspirador y controles de las luces
2. Lámpara halógena
3. Manija del filtro de grasa
4. filtro de grasa

## Controles

Usar la potencia de aspiración mayor en caso de particular concentración de vapores de cocina. Aconsejamos de encender la aspiración 5 minutos antes de iniciar a cocinar y dejarla en función por otros 15 minutos aproximadamente.

**Nota:** La campana retiene la última velocidad utilizada cuando el switch de aspiración se apaga.

## Descripción del panel de control



### 1. Tecla Luz

- Pulsar la tecla para encender la luz "alta intensidad" (estado anterior luz OFF).
- Pulsar la tecla para encender la luz "baja intensidad" (estado anterior luz ON).
- Pulsar la tecla para apagar la luz (estado anterior luz ON).

### 2. Tecla Temporizador

- El tiempo ajustado de default es 10 minutos y puede ser ajustado entre 60 minutos y 1 minuto.
- Después de pulsar la tecla, el sistema entra en la modalidad de ajuste y el usuario puede ajustar el tiempo de la cuenta regresiva del temporizador utilizando las teclas "+" y "-" en un plazo de 5 segundos.
- Si no se lleva a cabo ningún ajuste en estos 5 segundos que siguen a la selección de la función "Timer" o al ajuste del tiempo, inicia la cuenta regresiva.
- Durante el setup del "Timer" las teclas "+" y "-" son dedicadas a la temporización y no varían la velocidad del motor.
- Una vez iniciado el conteo, este puede ser anulado pulsando la tecla "Temporizador".

### 3. Pantalla

- Muestra el estado de la campana.
- Cuando la campana no es operativa el display será iluminado con baja intensidad. Pulsando cualquier tecla el display se iluminará con una intensidad alta.
- Cuando la campana es operativa el display será iluminado con alta intensidad. Si no se pulsa ninguna tecla por 1 minuto el display se vuelve a iluminar con intensidad baja.

### 4. "-" Tecla disminución velocidad / OFF

- Esta tecla es utilizada para reducir la velocidad del motor y para apagar la campana.
- El motor se apaga pulsando la tecla "-" si la campana se encuentra en la 1º velocidad.
- Si el motor se encuentra en la 2º velocidad y se pulsa la tecla "-", el motor pasa en la 1º velocidad.
- Si el motor se encuentra en la 3º velocidad y se pulsa la tecla "-", el motor pasa en la 2º velocidad.
- Si el motor se encuentra en la 4º velocidad y se pulsa la tecla "-", el motor pasa en la 3º velocidad.
- Si el motor está apagado y se pulsa la tecla "-", se ilumina la pantalla.

### 5. "+" Tecla incremento velocidad / ON

- Esta tecla es utilizada para aumentar la velocidad del motor y para encender la campana.
- El motor se enciende pulsando la tecla "+" si la campana se encuentra en el estado OFF.
- Si el motor se encuentra en la 1º velocidad y se pulsa la tecla "+", el motor pasa en la 2º velocidad.
- Si el motor se encuentra en la 2º velocidad y se pulsa la tecla "+", el motor pasa en la 3º velocidad.
- Si el motor se encuentra en la 3º velocidad y se pulsa la tecla "+", el motor pasa en la 4º velocidad.
- Si el motor se encuentra en la 4º velocidad y se pulsa la tecla "+", se emite un "beep".

## Programación Reloj

- El reloj puede ser ajustado en cualquier momento a excepción de cuando está activa la función temporizador.
- El reloj puede ser visualizado en el formato de 12 horas con un tiempo de visualización entre 1:00 y 12:59.
- El reloj puede ser visualizado pulsando la tecla "Timer" por 3 segundos, actuando sucesivamente sobre las teclas "+" y "-" para ajustar la hora.
- El usuario puede aumentar/disminuir la hora con step de 1 minuto, pero si se pulsan las teclas "+"/"-" por 1 segundo el aumento/disminución acontece con step de 5 minutos. Durante dicha operación el control redondea a los 5 minutos más cercanos.
- El usuario puede terminar la fase de ajuste de la hora pulsando la tecla "Timer".
- Después de 1 minuto que no se pulsa ninguna tecla, el control acepta el valor ajustado y añade 1 minuto al mismo e inicia a contar.

## Señal saturación de Filtro Grasa (Opcional)

- Después de 40 horas de funcionamiento del motor, en la pantalla aparece la indicación "Grease Filter" si el motor está activo. Cuando aparece esta señal en la pantalla, el filtro instalado necesita ser lavado.
- Para reiniciar la señal de filtro de grasa, el usuario debe pulsar la tecla "+" por 5 segundos, después de esta acción, la señal "Grease Filter" desaparece y la pantalla muestra el estado del funcionamiento.

## Señal saturación Filtro de Carbón (Opcional)

- Después de 120 horas de funcionamiento del motor, en la pantalla aparece la señal "Charcoal Filter" si el motor está activo. Cuando esta señal aparece en la pantalla el filtro carbón instalado debe ser cambiado o reactivado.
- Para reiniciar la señal de filtro grasas, el usuario debe pulsar la tecla "-" por 5 segundos, después de esta acción, la señal "Charcoal Filter" desaparece y la pantalla muestra el estado del funcionamiento.

## Activación/Desactivación señal acústica

- Las señales acústicas pueden ser activadas o desactivadas pulsando la tecla "Luz" por 5 segundos.
- Si la señal acústica está activada, debe ser emitido un sonido y el símbolo "Snd" debe aparecer en la pantalla por 3 segundos.
- Si la señal acústica está desactivada, el símbolo "Snd" debe aparecer en la pantalla por 3 segundos y no es emitido ningún sonido.

#### **Activaci3n/Desactivaci3n se1al Filtro Carb3n (versi3n Filtrante)**

- La activaci3n y la desactivaci3n de la se1al saturaci3n filtro carb3n puede ser ajustada pulsando simultaneamente por 5 segundos las teclas “-“ y “+” .
- La activaci3n o la desactivaci3n debe ser realizada con motor y l1mparas OFF.
- Cuando la se1al Filtro Carb3n est1 desactivada, se desactiva la alarma.

#### **Sensor t3rmico**

- La campana est1 equipada con un sensor de temperatura que activa el motor en 3<sup>o</sup> velocidades, si la temperatura de la zona circundante es demasiado elevada (superior a **149<sup>o</sup> F** o **65<sup>o</sup> C**).
- Si el motor est1 en OFF o en 1<sup>o</sup> velocidad, e interviene la alarma, el motor se coloca automaticamente en la 3<sup>o</sup> velocidad y en la pantalla aparecer1 la se1al “**CarE**”.
- Durante este estado, el usuario puede aumentar solamente la velocidad del motor.
- Cuando la temperatura regresa bajo el limite de alarma, el motor regresa en la condici3n anterior a la alarma.

# Mantenimiento

¡Atención! Antes de cualquier operación de limpieza o mantenimiento, retire la campana de la red eléctrica desconectando el enchufe o desconectando el interruptor general de la casa.

## Limpieza

No aplique limpiadores directamente al control durante la limpieza de la campana.

La campana debe ser limpiada con frecuencia tanto externamente como internamente (con la misma frecuencia con la que se realiza el mantenimiento de los filtros de grasa). Para la limpieza, utilice un paño impregnado de detergente líquido neutro. No utilice productos que contengan abrasivos. **¡NO UTILICE ALCOHOL!**

**ATENCIÓN:** De no observarse las instrucciones dadas para limpiar el aparato y sustituir el filtro, puede producirse un incendio. El fabricante recomienda leerlas y respetarlas atentamente.

El fabricante no se hace responsable por los daños al motor o los incendios provocados en el aparato debido a intervenciones de mantenimiento incorrectas o al incumplimiento de las normas de seguridad proporcionadas.

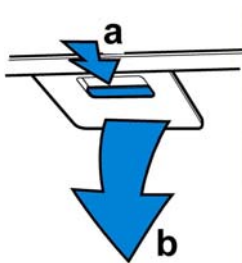
## Filtro contra la grasa

Retiene las partículas de grasa producidas cuando se cocina.

Debe limpiarse una vez al mes con detergentes no agresivos, manualmente o bien en lavavajillas a bajas temperaturas y con ciclo breve.

Con el lavado en el lavavajilla el filtro antigrasa metálico puede desteñirse pero sus características de filtrado no cambian absolutamente.

Para desmontar el filtro antigrasa, tirar de la manija de desenganche de muelle.

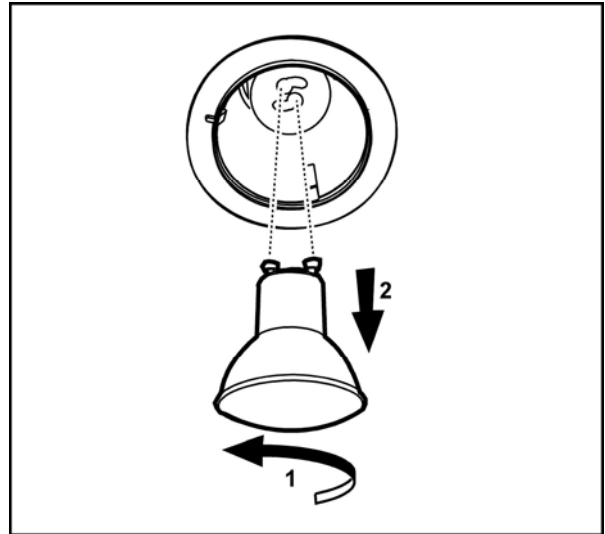


## Sustitución de la bombilla

### PRECAUCIÓN

Antes de reemplazar las lámparas, el interruptor debe estar apagado y bloquear el panel, para evitar que se pueda encender accidentalmente.

**NOTA:** Apagar las luces y el ventilador. Las luces deben enfriarse antes de volver a usarlas. Si las nuevas luces no funcionan, asegurarse que las luces estén insertadas correctamente antes de llamar el servicio de asistencia al cliente.



### Reemplazar las Luces

- Quitar la luz dañada (girar el contador hacia el sentido de las agujas del reloj) y reemplazar con una nueva luz halógena de 120 V, 50, (máximo) 50° para una base de GU10, apropiado para el uso en luminarias abiertas.

## Filtros de Carbón

Si el modelo no tiene una salida hacia el exterior, el aire, recirculará a través de los filtros de carbón vegetal disponibles, que ayudan a quitar humos y olores. Los filtros de carbón no pueden limpiarse.

Deben ser reemplazados.

Aplicar el filtro de carbón para cubrir la parrilla que protege el motor aspirante de modo que las azas del filtro correspondan con los pernos de los lados de la parrilla que protege el motor.

Girar el filtro en sentido horario para bloquearlo (fijación a acordeon).

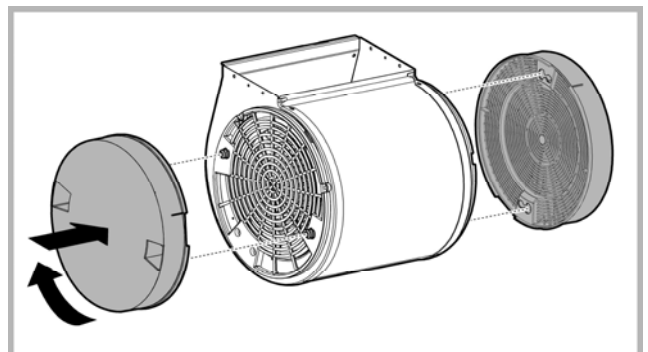
Los filtros de carbón vegetal deben ser reemplazados después de 4-6 meses, dependiendo, del uso de la campana).

**NOTA:** NO enjuagar, o poner los filtros de carbón vegetal en un lavaplatos automático.

**NOTA:** Los filtros de carbón vegetal **no son** incluidos con la campana.

Deben ser pedidos al proveedor.

Pedir el equipo necesario específico para el modelo de la campana y respetar el tamaño de la anchura.





# Garantía

## **ELICA North America GARANTIA LIMITADA DE DOS AÑOS.**

### **PARA OBTENER SERVICIO DENTRO DE GARANTIA.**

El propietario debe presentar su recibo original de la compra. Guarde por favor una copia de su recibo de compra como prueba, para recibir el servicio dentro del periodo de garantía.

### **PARTES Y GARANTIA DE SERVICIO.**

Por el periodo de (2) dos años desde la fecha original de la compra, Elica proveerá, gratuitamente, partes no-consumibles o componentes que hayan fallado debido a defectos de fabricación. Durante estos (2) años de garantía limitada, Elica también proveerá gratuitamente, todo el servicio en casa y mano de obra necesaria para reemplazar cualquier parte defectuosa.

### **QUE NO ESTA CUBIERTO**

- Daños o fallas del producto causados por accidente o actos de Dios, tales como inundaciones incendios o terremotos.
- Daños o fallas causadas por alteración del producto o por el uso de partes no-originales.
- Daños o fallas del producto causados durante la entrega, manejo o instalación.
- Daños o fallas del producto causados por abuso del usuario.
- Daños o fallas del producto causados por reemplazo de fusibles dañados o reseteo de interruptor de circuito.
- Daño o fallas causados por el uso del producto en un ambiente comercial (no domestico).
- Service trips to dwelling to provide use or installation guidance.
- Bombillas, filtros de carbón o metal y cualquier otra parte consumible.
- Desgaste normal.
- Desgaste terminal debido a abusos del usuario, mantenimiento inadecuado, uso de productos / toallas de limpieza corrosivos o abrasivos y por uso de limpiadores para hornos.

### **QUIEN ESTA CUBIERTO**

Esta garantía se extiende al comprador original de productos adquiridos para uso residencial en Norte America (incluyendo Estados Unidos, Guam, Puerto Rico, Islas Vírgenes de USA y Canadá).

Esta garantía no es transferible y aplica solamente al comprador original y no se extiende a propietarios subsecuentes del producto. Esta garantía se expresa en lugar de otras garantías, expresadas o implicadas, incluyendo, pero no limitada a ninguna garantía implicada de comercialización o adaptada para propósitos particulares y cualquier otra obligación por parte de Elica North America, considerando, sin embargo, que si la negación de garantías implícitas es inefectiva bajo la ley aplicable, la duración de cualquier garantía implícita será limitada a dos (2) años desde la fecha original de compra o por el periodo necesario como sea requerido por la ley aplicable.

Esta garantía no cubre cualquier daño especial, incidental y/o consecuente, ni pérdidas de ganancias, sufridas por el comprador original, sus clientes y/o usuarios del producto.

### **A QUIEN CONTACTAR**

Para obtener Servicio bajo Garantía o para cualquier pregunta relacionada a Servicio.

Favor de llamar:

- Servicio Autorizado de Elica North America al (888) 732-8018

O escribiendo a:

- Elica North America, Atención a Servicio a Clientes, 222 Merchandise Mart Plaza, Suite 947, Chicago, IL 60654 USA





