



24" Marvel Beverage Center

Model # ML24BCG0

Performance

- Thermal-efficient cabinet ensures optimum preservation and energy efficiency while maximizing capacity
- Argon-filled, UV-resistant tinted dual pane glass door protects contents from damaging ultraviolet light, while conserving energy
- Now even quieter operation thanks to exclusive design enhancements to buffer and minimize sound

Storage Capabilities

- 5.5 cu. ft. capacity, stores (190) 12-oz cans
- (2) cantilevered, fully adjustable FreshFlo™ black commercial-grade steel shelves
- Designed for maximum storage with full-depth shelves

Controls

- Marvel Prime™ Controls allow you to set cabinet temperature from 34° F to 42° F
- Audible alarms for door ajar and high/low temperature ensure your contents stay at optimal temperature

Aesthetics

- White incandescent display lighting and midnight black interior
- Finish: stainless steel

Additional Convenience

- Close Door Assist System™ gently and automatically draws door to close, ensuring door is never accidentally left ajar
- Black toe kick adjustable to 4" with leveling legs
- 1-year parts and labor warranty, 5-year sealed system parts warranty

Ordering Options

Stainless Frame, Glass Door, Right Hinge,
Stainless Designer Handle

ML24BCG0RS

Stainless Frame, Glass Door, Left Hinge,
Stainless Designer Handle

ML24BCG0LS

*Easy installation! No panel kit required. Consult your cabinet maker for overlay panel and handle options.

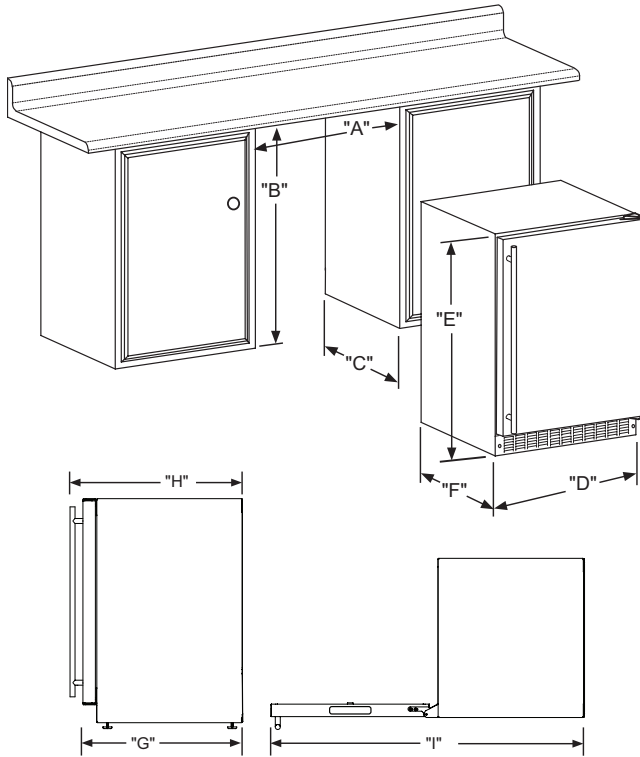
Finish



Stainless Steel
Frame



Product Dimensions



Rough-In Dimensions

A. Rough-In Width	24"
B. Rough-In Height	34" to 35"
C. Rough-In Depth	24"

Product Dimensions

D. Width	23 7/8"
E. Height	33 3/4" to 34 3/4"
F. Depth	21 1/2"
G. Depth to Front of Door	23 23/32"
H. Depth to Handle	25 21/32"
I. Depth with door at 90°	46 13/32"

Product Features

Interior Cabinet Finish	Black
Capacity	Up to 190 12-oz cans
Shelving System	Cantilever
Shelf Fronts	Black Steel Framed
Other Storage	NA
Interior Lighting	White Incandescent
Toe Grill Finish	Black
Hinge	Classic Hinge
Handle	Slim Designer Handle
Control Type	Prime™
Temperature Range	34° to 42° F
Lock	No
Electrical Requirements	120V / 60Hz / 15A
Length of Power Cord	6'
Shipping Weight	160 lbs
Finishes	Stainless Steel
Vacation Mode	No
Agency Approvals	CSA

For comprehensive installation instructions, please visit www.marvelrefrigeration.com to access the owner's guide.