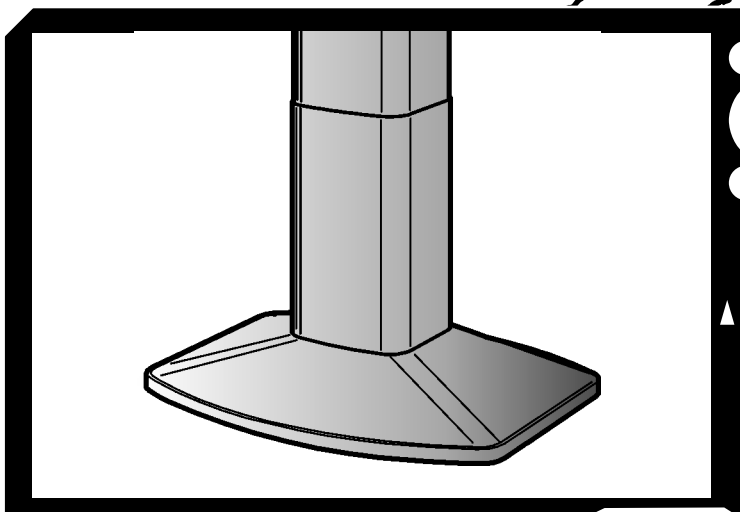


BROAN[®] *Elite*



Model E54000

ENGLISH.....	2
FRANÇAIS.....	15
ESPAÑOL.....	28

In USA - BROAN Hartford, Wisconsin

In CANADA - BROAN Drummondville, QC, Canada

REGISTER YOUR PRODUCT ONLINE AT : www.Broan.com/register
For additional information visit www.Broan.com

99043938E

READ AND SAVE THESE INSTRUCTIONS

 **INTENDED FOR DOMESTIC COOKING ONLY** 

  **WARNING**

TO REDUCE THE RISK OF FIRE, ELECTRIC SHOCK, OR INJURY TO PERSONS, OBSERVE THE FOLLOWING:

1. Use this unit only in the manner intended by the manufacturer. If you have questions, contact the manufacturer at the address or telephone number listed in the warranty.
2. Before servicing or cleaning unit, switch power off at service panel and lock service panel to prevent power from being switched on accidentally. When the service disconnecting means cannot be locked, securely fasten a prominent warning device, such as a tag, to the service panel.
3. Installation work and electrical wiring must be done by a qualified person(s) in accordance with all applicable codes and standards, including fire-rated construction codes and standards.
4. Sufficient air is needed for proper combustion and exhausting of gases through the flue (chimney) of fuel burning equipment to prevent backdrafting. Follow the heating equipment manufacturer's guidelines and safety standards such as those published by the National Fire Protection Association (NFPA), and the American Society for Heating, Refrigeration and Air Conditioning Engineers (ASHRAE), and the local code authorities.
5. When cutting or drilling into wall or ceiling, do not damage electrical wiring and other hidden utilities.
6. Ducted fans must always be vented to the outdoors.
7. Do not use this unit with any separate solid-state speed control device.
8. To reduce the risk of fire, use only metal ductwork.
9. This unit must be grounded.

TO REDUCE THE RISK OF A RANGE TOP GREASE FIRE:

- A. Never leave surface units unattended at high settings. Boilovers cause smoking and greasy spillovers that may ignite. Heat oils slowly on low or medium settings.
- B. Always turn hood ON when cooking at high heat or when cooking flaming foods. (i.e. Crepes Suzette, Cherries Jubilee, Peppercorn Beef Flambe').
- C. Clean ventilating fans frequently. Grease should not be allowed to accumulate on fan or filter.
- D. Use proper pan size. Always use cookware appropriate for the size of the surface element.

  **WARNING**

TO REDUCE THE RISK OF INJURY TO PERSONS IN THE EVENT OF A RANGE TOP GREASE FIRE, OBSERVE THE FOLLOWING:*

1. **SMOTHER FLAMES** with a close-fitting lid, cookie sheet, or metal tray, then turn off the burner. **BE CAREFUL TO PREVENT BURNS.** If the flames do not go out immediately, **EVACUATE AND CALL THE FIRE DEPARTMENT.**
2. **NEVER PICK UP A FLAMING PAN** - You may be burned.
3. **DO NOT USE WATER**, including wet dishcloths or towels - violent steam explosion will result.
4. Use an extinguisher **ONLY** if:
 - A. You know you have a Class ABC extinguisher and you already know how to operate it.
 - B. The fire is small and contained in the area where it started.
 - C. The fire department is being called.
 - D. You can fight the fire with your back to an exit.

* Based on "Kitchen Fire Safety Tips" published by NFPA.

CAUTION

1. For indoor use only.
2. To reduce risk of fire and to properly exhaust air, be sure to duct air outside. Do not vent exhaust air into spaces within walls or ceilings or into attics, crawl spaces, or garages.
3. Take care when using cleaning agents or detergents.
4. Avoid using food products that produce flames under the Range Hood.
5. For general ventilating use only. Do not use to exhaust hazardous or explosive materials and vapors.
6. To avoid motor bearing damage and noisy and/or unbalanced impellers, keep drywall spray, construction dust, etc. off power unit.
7. Your hood motor has a thermal overload which will automatically shut off the motor if it becomes overheated. The motor will restart when it cools down. If the motor continues to shut off and restart, have the hood serviced.
8. For best capture of cooking impurities, the bottom of the hood should be a minimum of 24" and a maximum of 30" above the cooking surface. See "Prepare Support Frame" section for mounting restrictions.
9. Two installers are recommended because of the large size and weight of this hood.
10. This product is equipped with a thermostat which may start blower automatically. To reduce the risk of injury and to prevent power from being switched on accidentally, switch power off at service panel and lock or tag service panel.
11. Use with approved cord-connection kit only.
12. Please read specification label on product for further information and requirements.

OPERATION

Controls

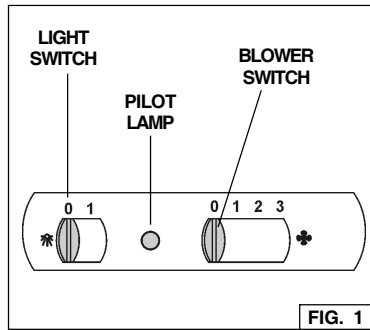
The hood is operated using the slide controls under the bottom of the hood.

The **light switch** turns the lamps on and off.

The **blower switch** turn the blower on to three speed settings:

- 0 - OFF
- 1 - LOW SPEED
- 2 - MEDIUM SPEED
- 3 - HIGH SPEED

The **pilot lamp** lights up whenever the blower is on.



HEAT SENTRY™

Your hood is equipped with a HEAT SENTRY™ thermostat. This thermostat is a device that will turn on or speed up the blower if it senses excessive heat above the cooking surface.

1) If blower is OFF - it turns blower ON to HIGH speed.

2) If blower is ON at a lower speed setting - it turns blower up to HIGH speed.

When the temperature level drops to normal, the blower will return to its original setting.

⚠ WARNING: The HEAT SENTRY thermostat can start the blower even if the hood is turned OFF. When this occurs, it is impossible to turn the blower OFF with its switch. If you must stop the blower, do it from the main electrical panel.

HALOGEN BULBS

This range hood requires (4) halogen bulbs (Type T3, 12Volt, 20 Watt Max, G-4 Base).

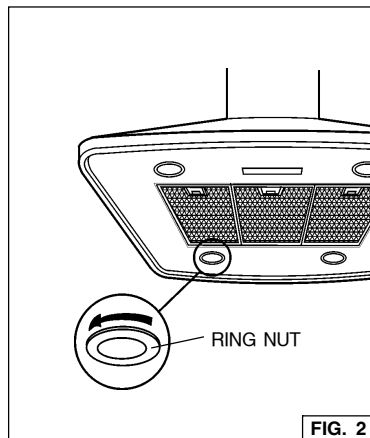
⚠ WARNING: Always switch off the electricity supply before carrying out any operations on the appliance.

To change bulbs:

1. Loosen the ring nut by turning it counterclockwise.
2. Remove the bulb by pulling sideward (DO NOT ROTATE).

⚠ CAUTION: Bulb may be hot!

3. Replace with Type T3, 12Volt, 20 Watt Max, G-4 Base halogen bulb. Do not touch replacement bulb with bare hands!



Do not use bulbs greater than 20 Watts. Bulbs greater than 20 Watts will cause fuse to open.

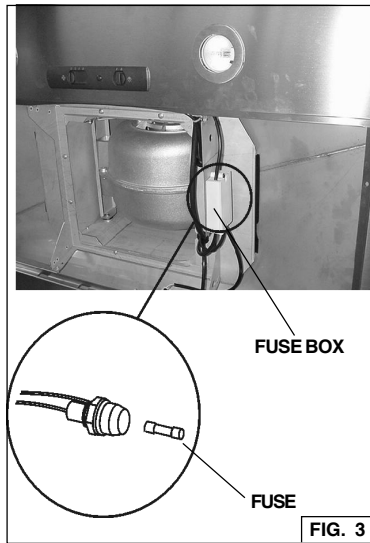
FUSE REPLACEMENT

IF LIGHTS FAIL TO OPERATE, DISCONNECT THE POWER AT THE SERVICE ENTRANCE. CHECK THE FUSE AND REPLACE IF NECESSARY.

1. Remove the grease filters.
2. Remove the cover of the fuse box.
3. Locate the fuse holder. Unscrew its cap and remove the fuse.
4. Replace the fuse with the same size and amperage (5x20mm, 4amp, 125volt).

Do not use fuses greater than 4 amps. Fuses greater than 4 amps may damage the transformer.

5. Reinstall the fuse holder cap, fuse box cover and grease filters.
6. Reconnect power at the service entrance.



MAINTENANCE

Proper maintenance of the Range Hood will assure proper performance of the unit.

Grease Filter

The **grease filter** should be cleaned frequently. Use a warm detergent solution. Grease filter is dishwasher safe.

See "INSTALL FILTERS" section for removal and installation instructions.

Non-ducted Recirculation Filter

The non-ducted recirculation filter should be changed every 6 months. See "INSTALL FILTERS" section for removal and installation instructions.

Hood Cleaning

Stainless steel is one of the easiest materials to keep clean. Occasional care will help preserve its fine appearance.

Cleaning tips:

- Hot water with soap or detergent is all that is usually needed.
- Follow all cleaning by rinsing with clear water. Wipe dry with a clean, soft cloth to avoid water marks.
- For discolorations or deposits that persist, use a non-scratching household cleanser or stainless steel polishing powder with a little water and a soft cloth.
- For stubborn cases, use a plastic scouring pad or soft bristle brush together with cleanser and water. Rub lightly in direction of polishing lines or "grain" of the stainless finish. Avoid using too much pressure which may mar the surface.
- **DO NOT** allow deposits to remain for long periods of time.
- **DO NOT** use ordinary steel wool or steel brushes. Small bits of steel may adhere to the surface causing rust.
- **DO NOT** allow salt solutions, disinfectants, bleaches, or cleaning compounds to remain in contact with stainless steel for extended periods. Many of these compounds contain chemicals which may be harmful. Rinse with water after exposure and wipe dry with a clean cloth.

Painted surfaces should be cleaned with warm water and mild detergent only.

PREPARE THE HOOD

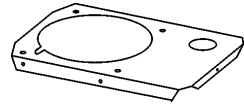
Unpack hood and check contents.

You should receive:

- 1 - Hood
- 1 - Decorative Flue Assembly
- 1 - Support Frame
- 1 - Parts Bag containing:
 - 1 - Support Frame Bracket
 - 1 - Discharge Collar
 - 4 - Lag Bolts (6 x 70mm)
 - 14 - Mounting Screws (3.9 x 9.5mm Pan Head)
 - 2 - Mounting Screws (2.9 x 9.5mm Pan Head)
 - 4 - Washers 6.4mm Diameter
 - 6 - Serrated Washers
 - 1 - Wiring Box Cover
 - 1 - Wire Clamp
- 1 - Installation Instructions



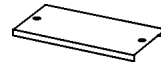
DISCHARGE COLLAR



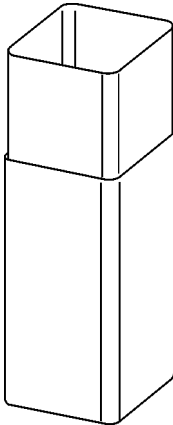
SUPPORT FRAME BRACKET



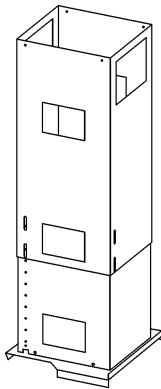
WIRE CLAMP



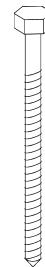
WIRING BOX COVER



DECORATIVE FLUE



SUPPORT FRAME



4 LAG BOLTS
(6 x 70mm)



14 MOUNTING SCREWS
(3.9 x 9.5mm Pan Head)



4 WASHERS
6.4mm



6 SERRATED WASHERS



2 MOUNTING SCREWS
(2.9 x 9.5mm Pan Head)

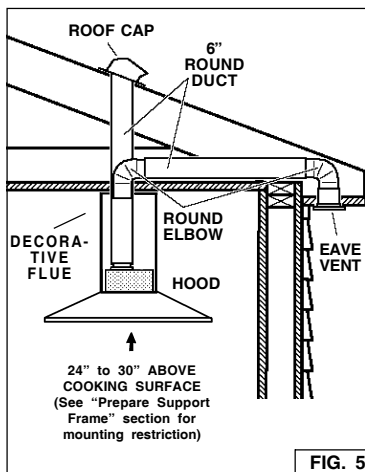
FIG. 4

INSTALL THE DUCTWORK

DUCTED HOODS ONLY

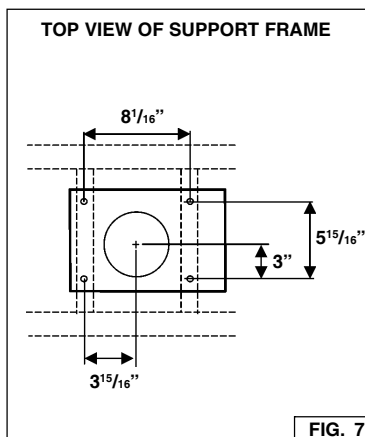
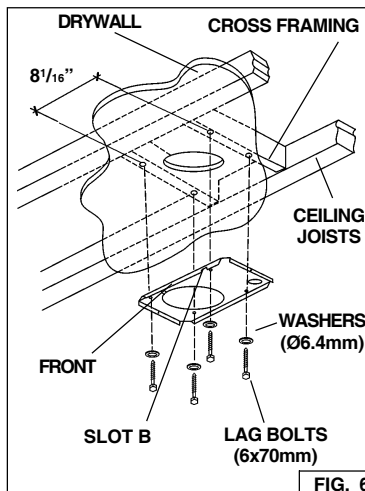
⚠ CAUTION: To reduce the risk of fire, use only metal ductwork.

1. Decide where the ductwork will run between the hood and the outside.
2. A straight, short duct run will allow the hood to perform most efficiently.
3. Long duct runs, elbows, and transitions will reduce the performance of the hood. Use as few of them as possible. Larger ducting may be required for best performance with longer duct runs.
4. Install a roof or wall cap. Connect round metal ductwork to cap and work back towards hood location. Use duct tape to seal the joints between ductwork sections.



INSTALL SUPPORT SYSTEM

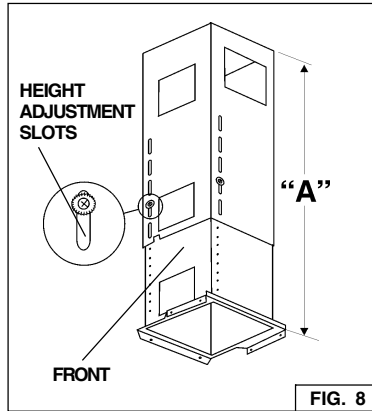
1. At hood location, install 2 X 4 **cross framing** between **ceiling joists** using dimensions shown.
2. Finish the ceiling surface. Be sure to mark the location of the ceiling joists and cross framing.
3. Secure the support frame bracket to joists and cross framing with four lag bolts provided (6x70mm) and four washers (6.4mm). Make sure screws are driven into center of joists and framing for maximum strength. Be careful, because the position of the bracket determines the final position of the hood: the side with the slot B corresponds to the controls side. Fig. 2.



PREPARE SUPPORT FRAME

8 AND 9-FOOT CEILINGS

1. Measure the ceiling height and determine distance between the cook top and bottom of hood.
2. Remove (4) screws and washers in the height adjustment slots. Figure 8.
3. Per the chart, adjust overall length of the support frame. Figure 8.
4. Reinstall (4) screws and washers in the height adjustment slots. Figure 8.



CEILING HEIGHT	DUCT METHOD	HOOD DISTANCE ABOVE 36" HIGH COOK TOP (See note a)						
		24"	25"	26"	27"	28"	29"	30"
		LENGTH OF SUPPORT FRAME, DIMENSION "A"						
8 FOOT CEILING	DUCTED	22"	21"					
	NON DUCTED	22"	21"					
9 FOOT CEILING	DUCTED & NON DUCTED			32"	31"	30"	29"	28"
10 FOOT CEILING (see note b)	DUCTED & NON DUCTED	46"	45"	44"	43"	42"	41"	40"

Notes:

- Minimum hood distance above cook top must not be less than 24".
A maximum of 30" above cook top is highly recommended for best capture of cooking impurities.
Distances over 30" are at the installer's and user's discretion; providing that ceiling height and flue length permit.
- Requires optional 10-foot flue extension.

10-FOOT CEILINGS

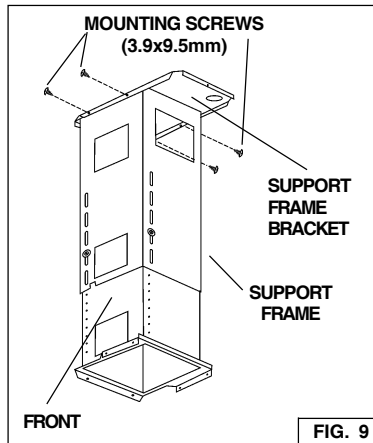
Note: The following materials must be purchased separately for 10-foot ceiling installations.

- Flue extension model FX54SS for ducted installations
 - Flue extension model FXN54SS for non-ducted installations
5. Discard the upper support frame half supplied with the range hood. Replace with the longer upper support frame supplied with the flue extension.
 6. Follow steps 1 through 4 shown above.

PREPARE SUPPORT

FRAME, cont'd.

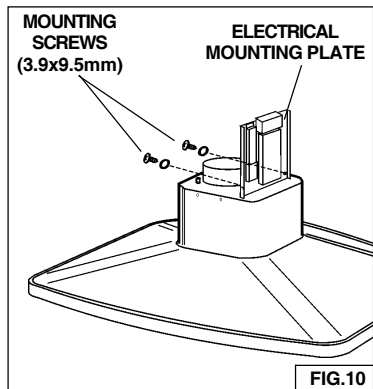
7. Hang the support frame from the support frame bracket (located on ceiling). Securely fasten with (4) 3.9x9.5mm mounting screws. Fig. 9.



PREPARE THE HOOD

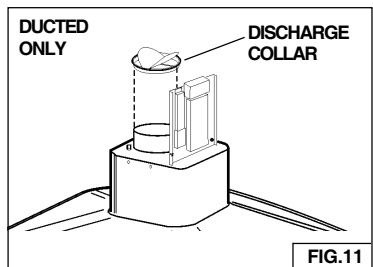
DUCTED AND NON-DUCTED HOODS

1. Assemble the Electrical Mounting Plate to the hood with (2) 3.9x9.5mm mounting screws and (2) serrated washers. Fig. 10.



DUCTED HOODS ONLY

2. Install the plastic discharge collar into the opening of the blower discharge. Fig. 11.
3. Install 6" diameter metal duct over the blower discharge. It must be long enough to reach ducting that discharges to the outside. Duct tape all joints to make them secure and air tight.

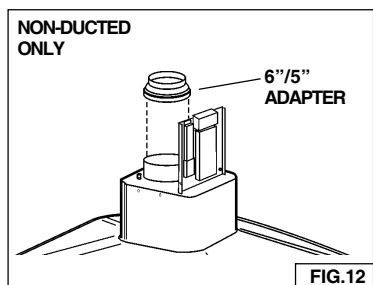


NON-DUCTED HOODS ONLY

Note: the following material must be purchased separately for non-ducted recirculation installations:

- Non- Ducted Recirculation Kit RK54
- 5" diameter metal expandable duct

1. Discard the plastic discharge collar supplied with the hood. Install the 5" to 6" adapter (supplied with the non-ducted recirculation kit) over the blower discharge. Fig. 12.

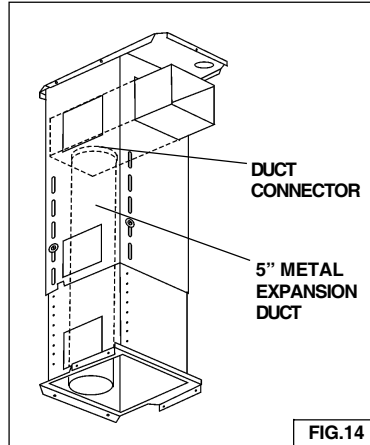
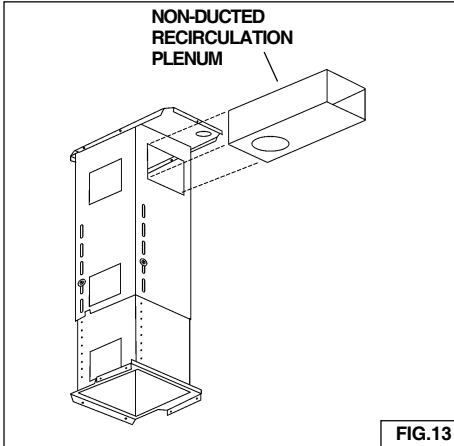


2. Duct tape all joints to make them secure and air tight.

PREPARE THE HOOD, cont'd.

NON-DUCTED HOODS ONLY

3. Install the non-ducted recirculation plenum through the upper rectangular openings in the support frame. Fig. 13
4. Install the 5" diameter duct connector to plenum. Twist and lock to secure. Fig. 14.
5. Attach 5" diameter **metal** expandable duct to the plenum. When stretched, it must be long enough to reach the bottom of the support frame. Fig. 14.
6. Duct tape all joints to make them secure and air tight.



INSTALL UPPER DECORATIVE FLUE

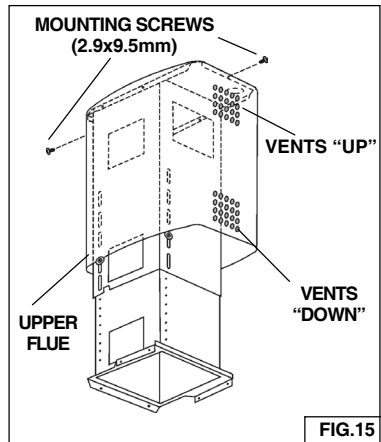
DUCTED HOODS ONLY

(8-FOOT AND 9-FOOT CEILINGS)

1. Install and secure the upper flue to the support frame with (2) 2.9x9.5mm mounting screws. Fig. 15.
- On 8-foot ceilings, install with air vents down.
 - On 9-foot ceilings, install upper flue with air vents up.

(10-FOOT CEILINGS)

2. Discard the upper flue supplied with the hood. Replace with the upper flue supplied with flue extension model FX54SS.
3. Install and secure the upper flue to the support frame with (2) 2.9x9.5mm mounting screws.



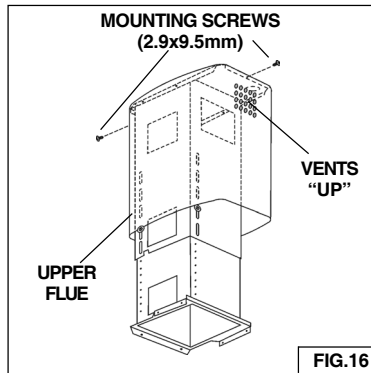
INSTALL THE UPPER DECORATIVE FLUE, cont'd.

NON-DUCTED HOODS ONLY (8-FOOT AND 9-FOOT CEILINGS)

4. Install the upper flue with air vent "up". Secure to the support frame with (2) 2.9x9.5mm mounting screws. Fig. 16.

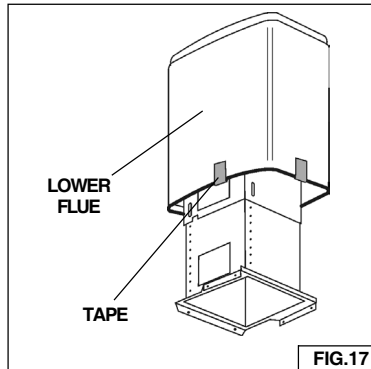
(10-FOOT CEILINGS)

5. Discard the upper flue supplied with the hood. Replace with the upper flue supplied with flue extension model FXN54SS.
6. Install with air vents "up" and secure to the support frame with (2) 2.9x9.5mm mounting screws.



INSTALL LOWER DECORATIVE FLUE

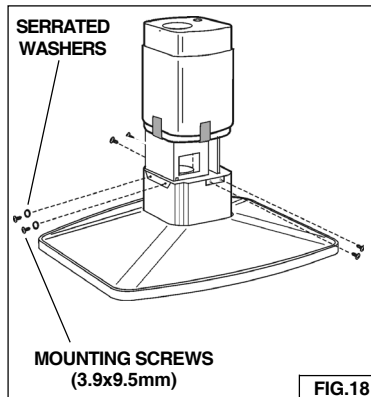
1. Slide the lower flue up and over the upper flue until it contacts the ceiling. Temporarily secure the both halves together with duct tape. Fig. 17.



INSTALL THE HOOD

⚠ CAUTION: At least two installers are required due to the weight and size of the hood.

1. Secure the hood to the support frame with (6) 3.9x9.5mm mounting screws and (2) serrated washers. Fig. 18.



CONNECT THE DUCTWORK

Duct tape all connector's to make them secure and air tight.

DUCTED HOODS ONLY

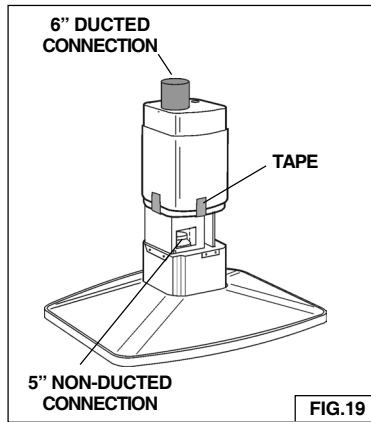
1. Connect 6" diameter metal duct to ducting that discharges to the outside.

NON-DUCTED HOODS ONLY

2. Connect 5" diameter expandable metal duct from the non-ducted plenum to the adapter on the blower discharge.

DUCTED AND NON-DUCTED HOODS

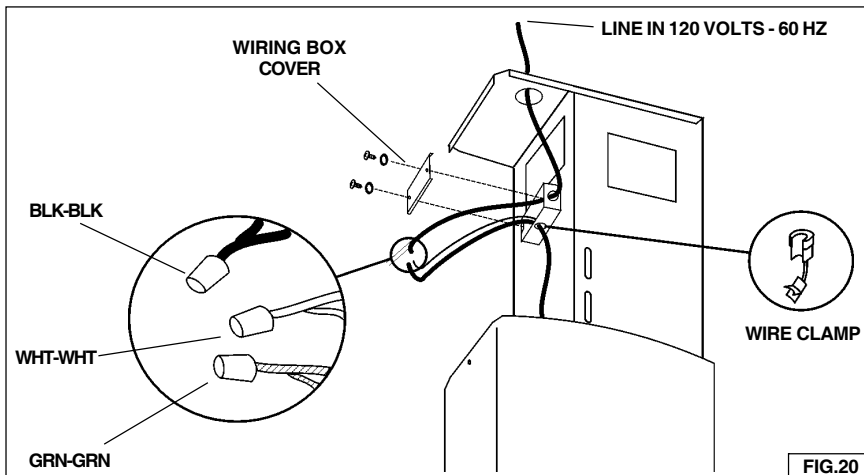
3. Remove the tape from the lower flue. Lower the flue until it seats on top of the hood.
4. Remove duct tape from upper and lower flue. Lower the flue until it seats on top of the hood.



INSTALL ELECTRICAL

⚠ WARNING: Electrical wiring must be done by a qualified person(s) in accordance with all applicable codes and standards. This range hood must be properly grounded. Turn off electrical power at service entrance before wiring.

1. Remove the wiring box cover. Fig. 20.
2. Run 2-wire plus ground power cable through the round opening in the support frame bracket and into the wiring box.
3. Secure cable to box with an appropriate cable connector.
4. Feed the range hood's power cable through the hole in the bottom of the wiring box.
5. Secure the cable to the box using the wire clamp (supplied in the parts bag).
6. Connect wires, white-to-white, black-to-black and green-to-ground.
7. Push wiring into the electrical box. Reinstall the wiring box cover.
8. Raise the upper flue and reinstall mounting screws.



INSTALL FILTERS

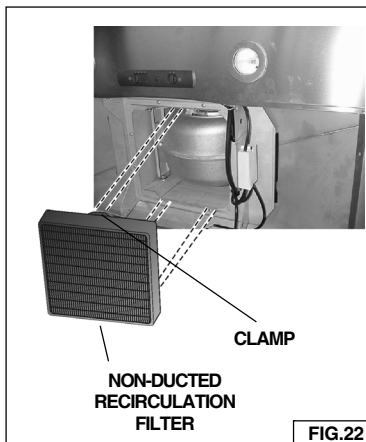
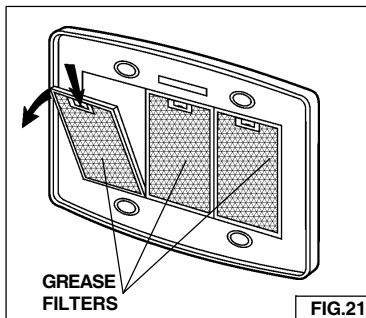
(DUCTED AND NON-DUCTED HOODS)

1. To remove the GREASE filter, push in on the metal latch tab and tilt filter downward to remove.
2. To install the GREASE filter, align rear filter tabs with slots in the hood. Depress the metal latch tab, push filter into position and release. Make sure filter is securely engaged after installation.

NOTE: Prior to use, remove protective film from the filter frame.

(NON-DUCTED HOODS ONLY)

1. To remove the CHARCOAL filter, push in on the front filter latch. Pull the filter down to disengage the rear filter tabs.
2. To install the CHARCOAL filter, align the rear filter tabs with slots in the hood. Push the filter up into place until the front latch snaps securely into the slot. Make sure the filter is securely engaged after assembly.
3. Install GREASE filter after charcoal filter is installed.



WARRANTY

ONE YEAR LIMITED WARRANTY FOR BROAN PRODUCTS

Broan-NuTone LLC (Broan-NuTone) warrants to the original consumer purchaser of Broan products that such products will be free from defects in materials or workmanship for a period of one year from the date of original purchase. THERE ARE NO OTHER WARRANTIES, EXPRESS OR IMPLIED, INCLUDING, BUT NOT LIMITED TO, IMPLIED WARRANTIES OR MERCHANTABILITY OR FITNESS FOR A PARTICULAR PURPOSE.

During this one-year period, Broan-NuTone will, at its option, repair or replace, without charge, any product or part which is found to be defective under normal use and service.

THIS WARRANTY DOES NOT EXTEND TO FLUORESCENT LAMP STARTERS, TUBES, HALOGEN AND INCANDESCENT BULBS, FUSE, FILTERS, DUCTS, ROOF CAPS, WALL CAPS AND OTHER ACCESSORIES FOR DUCTING. This warranty does not cover (a) normal maintenance and service or (b) any products or parts which have been subject to misuse, negligence, accident, improper maintenance or repair (other than by Broan-NuTone), faulty installation or installation contrary to recommended installation instructions.

The duration of any implied warranty is limited to the one-year period as specified for the express warranty. Some states do not allow limitation on how long an implied warranty lasts, so the above limitation may not apply to you.

BROAN-NUTONE'S OBLIGATION TO REPAIR OR REPLACE, AT BROAN-NUTONE'S OPTION, SHALL BE THE PURCHASER'S SOLE AND EXCLUSIVE REMEDY UNDER THIS WARRANTY. BROAN-NUTONE SHALL NOT BE LIABLE FOR INCIDENTAL, CONSEQUENTIAL OR SPECIAL DAMAGES ARISING OUT OF OR IN CONNECTION WITH PRODUCT USE OR PERFORMANCE. Some states do not allow the exclusion or limitation of incidental or consequential damages, so the above limitation or exclusion may not apply to you.

This warranty gives you specific legal rights, and you may also have other rights, which vary from state to state. This warranty supersedes all prior warranties.

To qualify for warranty service, you must (a) notify Broan-NuTone at the address stated below or telephone number stated below, (b) give the model number and part identification and (c) describe the nature of any defect in the product or part. At the time of requesting warranty service, you must present evidence of the original purchase date.

In USA - Broan®, 926 W. State Street, Hartford, WI 53027 (800-558-1711)

In Canada - Broan®, 550 Lemire Blvd., Drummondville, QC J2C 7W9 (866-737-7770)

www.Broan.com

LISEZ ET CONSERVEZ CES INSTRUCTIONS

 **POUR UTILISATION DOMESTIQUE SEULEMENT** 

  **AVERTISSEMENT**

POUR RÉDUIRE LES RISQUES D'INCENDIE, D'ÉLECTROCUTION OU DE BLESSURES CORPORELLES, OBSERVEZ LES INSTRUCTIONS SUIVANTES :

1. N'utilisez cet appareil que de la façon prévue par le fabricant. Si vous avez des questions, contactez le fabricant à l'adresse ou au numéro de téléphone indiqués dans la garantie.
2. Avant de nettoyer ou de réparer l'appareil, coupez le courant au panneau d'alimentation et verrouillez-en l'accès afin d'éviter sa remise en marche accidentelle. Si le panneau d'alimentation ne peut être verrouillé, apposez un avertissement bien en évidence, par exemple une étiquette de couleur vive.
3. Les travaux d'installation et de raccordement électrique doivent être effectués par du personnel qualifié en respectant les normes et règlements en vigueur, y compris les normes et codes de bâtiment en matière de prévention d'incendie.
4. Une circulation d'air efficace est requise afin d'assurer la combustion et l'évacuation complète des gaz par la cheminée des équipements à combustion pour prévenir les retours de cheminée. Conformez-vous aux instructions et aux standards de sécurité des fabricants d'équipement de chauffage, tels qu'ils sont publiés par la *National Fire Protection Association (NFPA)* et l'*American Society for Heating, Refrigeration and Air Conditioning Engineers (ASHRAE)* ainsi que les responsables des codes locaux.
5. Lorsque vous coupez ou percez un mur ou un plafond, prenez garde de ne pas endommager les fils électriques ou autre installation qui pourraient y être dissimulés.
6. Les conduits de l'installation doivent toujours évacuer l'air à l'extérieur.
7. N'utilisez pas cet appareil avec une autre commande de vitesse à semi-conducteur.
8. Afin de réduire les risques d'incendie, n'utilisez que des conduits en métal.
9. Cet appareil doit être relié à une mise à la terre.

AFIN DE RÉDUIRE LES RISQUES DE FEU DE CUISINIÈRE :

- A. Ne laissez jamais les appareils de cuisson sans surveillance lorsqu'ils sont réglés à feu vif. Les débordements engendrent de la fumée et des déversements graisseux pouvant s'enflammer. Chauffez l'huile lentement, à feu doux ou moyen.
- B. Mettez toujours la hotte en marche lorsque vous cuisinez à feu vif ou que vous cuisinez des mets flambés (par ex. : crêpes Suzette, cerises jubilé, steak au poivre flambé).
- C. Nettoyez régulièrement la roue du moteur de ventilateur. Ne laissez pas la graisse s'accumuler sur le ventilateur ou le filtre.
- D. Utilisez le bon format de casserole. Servez-vous toujours d'ustensiles de cuisson appropriés à la dimension de la surface chauffante.

  **AVERTISSEMENT**

AFIN D'ÉVITER TOUS RISQUES DE BLESSURE LORS D'UN FEU DE CUISINIÈRE, OBSERVEZ LES INSTRUCTIONS SUIVANTES* :

1. **ÉTOUFFEZ LES FLAMMES** à l'aide d'un couvercle le plus hermétique possible, une plaque à biscuits ou un plateau en métal, puis éteignez le brûleur. **ATTENTION de NE PAS VOUS BRÛLER.** Si les flammes ne s'éteignent pas immédiatement, **SORTEZ ET APPELEZ LES POMPIERS.**
2. **NE PRENEZ JAMAIS EN MAIN UNE POËLE OU UNE CASSEROLE QUI A PRIS FEU** - vous pourriez vous brûler.
3. **N'UTILISEZ PAS D'EAU**, ni de torchons ou de serviettes mouillés - vous provoqueriez une violente explosion de vapeur.

4. Utilisez un extincteur SEULEMENT LORSQUE :
 - A. Vous savez qu'il s'agit d'un extincteur de classe ABC et que vous en connaissez le fonctionnement.
 - B. L'incendie est petit et limité à l'endroit où il a débuté.
 - C. Les pompiers ont été avisés.
 - D. Vous pouvez combattre l'incendie en ayant accès à une sortie de secours.

* Tirées du *Kitchen Fire Safety Tips* publié par la NFPA.



ATTENTION

1. Pour usage intérieur seulement.
2. Afin de réduire les risques d'incendie et d'évacuer correctement l'air, assurez-vous d'évacuer l'air à l'extérieur. N'évacuez pas l'air dans des espaces clos comme l'intérieur des murs ou d'un plafond, dans le grenier, faux-plafond ou garage.
3. Faites très attention lors de l'utilisation de produits de nettoyage ou de détergents.
4. Évitez d'utiliser des aliments pouvant s'enflammer sous la hotte de cuisinière.
5. N'utilisez cet appareil que pour une ventilation générale. Ne l'utilisez pas pour évacuer des matières ou des vapeurs dangereuses ou explosives.
6. Pour éviter de causer des dommages au moteur et de rendre les rotors bruyants et/ou non équilibrés, gardez votre appareil à l'abri des poussières de gypse et de construction ou de rénovation, etc.
7. Le moteur de votre hotte possède une protection thermique qui éteindra automatiquement le moteur s'il devient surchauffé. Il redémarrera automatiquement une fois refroidi. Si le moteur continue à s'éteindre et à se remettre en marche, faites vérifier votre hotte.
8. Pour une meilleure évacuation des odeurs de cuisson, le bas de votre hotte devrait être à un minimum de 24 po et à un maximum de 30 po au-dessus de la surface de cuisson. Voir « Préparation de la structure de support » pour les restrictions relatives au montage.
9. En raison de la grande dimension et du poids de cet appareil, il est recommandé de confier l'installation de cette hotte à deux personnes.
10. Ce produit est doté d'un thermostat pouvant activer automatiquement le ventilateur. Pour réduire le risque de blessures et éviter l'activation accidentelle, coupez le courant depuis le panneau d'alimentation électrique et verrouillez ou apposez un avertissement sur le panneau.
11. Cette hotte ne doit être utilisée qu'avec un ensemble de cordon d'alimentation approuvé.
12. Nous vous recommandons de lire l'étiquette indiquant les caractéristiques de votre hotte pour de plus amples renseignements et exigences.

FONCTIONNEMENT

Commandes

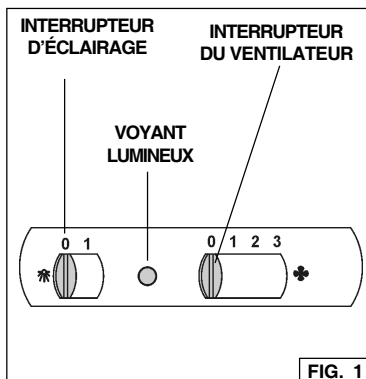
La hotte fonctionne à l'aide des boutons coulissants situés sous la partie inférieure de la hotte.

L'**interrupteur d'éclairage** allume et éteint les lampes.

L'**interrupteur du ventilateur** active le ventilateur à trois régimes différents :

- 0 - ARRÊT
- 1 - BASSE VITESSE
- 2 - MOYENNE VITESSE
- 3 - HAUTE VITESSE

Le **voyant lumineux** s'allume quand le ventilateur fonctionne.



HEAT SENTRY^{MC}

Votre hotte est munie d'un thermostat HEAT SENTRY^{MC}. Ce thermostat est un dispositif qui actionnera ou augmentera la vitesse du ventilateur s'il détecte une chaleur excessive au-dessus de la surface de cuisson.

- 1) Si le ventilateur n'est pas en marche, il actionnera le ventilateur en haute vitesse.
- 2) Si le ventilateur fonctionne en basse vitesse, le ventilateur passera en haute vitesse.

Lorsque la température revient à la normale, le ventilateur retourne à sa vitesse d'origine.

⚠ AVERTISSEMENT : Le thermostat HEAT SENTRY^{MC} peut activer le ventilateur même si la hotte est arrêtée. Si tel est le cas, il est impossible d'arrêter le ventilateur depuis son interrupteur. Si vous devez arrêter le ventilateur, faites-le depuis le panneau électrique principal.

AMPOULES HALOGÈNES

Ce modèle de hotte requiert (4) ampoules halogènes (type T3, 12 V, 20 W max, base G-4).

⚠ AVERTISSEMENT : Avant de procéder à quelconque opération, débranchez toujours l'appareil.

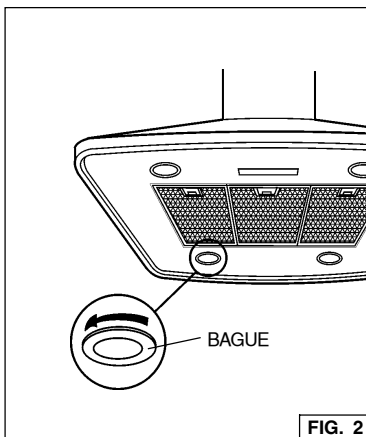
Pour remplacer les ampoules :

1. Dévisser la bague dans le sens contraire des aiguilles d'une montre.
2. Retirer l'ampoule en tirant sur le côté (NE PAS LA TOURNER).

⚠ ATTENTION : L'ampoule peut être chaude!

3. Remplacer par une ampoule de mêmes caractéristiques (T3, 12 V, 20 W max, base G-4). Ne touchez pas à l'ampoule neuve mains nues !

Ne pas employer d'ampoules plus puissantes que 20 watts. Des ampoules de plus de 20 watts brûleront le fusible.



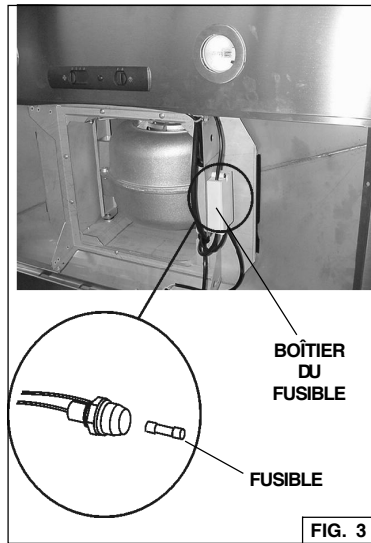
REPLACEMENT DU FUSIBLE

SI LES LAMPES NE FONCTIONNENT PAS, DÉCONNECTER L'ALIMENTATION ÉLECTRIQUE AU POINT D'ORIGINE DE L'INSTALLATION ÉLECTRIQUE. VÉRIFIER QUE LE FUSIBLE SOIT EN BON ÉTAT, PUIS LE REMPLACER AU BESOIN.

1. Retirer les filtres à graisses.
2. Retirer le couvercle de la boîte du fusible.
3. Localiser le porte-fusible. Dévisser sa calotte et retirer le fusible.
4. Installer un fusible de même taille et de même intensité (5 x 20 mm, 4 A, 125 V).

Ne pas utiliser de fusibles plus puissants que 4 ampères. Des fusibles de plus de 4 ampères peuvent abîmer le transformateur.

5. Remettre en place le capuchon du porte-fusible, le couvercle de la boîte du fusible et les filtres à graisses.
6. Rétablir l'alimentation électrique au point d'origine de l'installation électrique.



ENTRETIEN

Un bon entretien de votre hotte garantira une excellente performance.

Filtres à graisses

Les filtres à graisses doivent être nettoyés fréquemment. Utiliser une solution d'eau chaude additionnée de détergent. Les filtres à graisses peuvent être lavés au lave-vaisselle.

Voir la section « INSTALLATION DES FILTRES » pour les instructions relatives au démontage et à l'installation.

Filtre à charbon

Le filtre à charbon (pour hottes à recirculation) doit être changé tous les 6 mois. Voir la section « INSTALLATION DES FILTRES » pour les instructions relatives au démontage et à l'installation.

Nettoyage de votre hotte

L'acier inoxydable est l'une des matières les plus faciles à nettoyer. Un entretien occasionnel permettra de le conserver en parfait état. Conseils pour le nettoyage :

- Eau chaude et savon ou détergent, c'est tout ce qui est normalement nécessaire.
- Après chaque nettoyage, rincer bien à l'eau claire. Essuyer avec un chiffon propre et doux pour éviter les taches d'eau.
- Si des décolorations ou des dépôts persistent, utiliser un nettoyant domestique non abrasif ou de la poudre pour l'acier inoxydable avec un peu d'eau et un chiffon doux.
- Dans les cas difficiles, utiliser une éponge en plastique ou une brosse douce avec du nettoyant et de l'eau. Frotter légèrement en suivant la direction du polissage ou du « grain » de l'acier inoxydable. Éviter de frotter trop fort pour ne pas abîmer la surface.
- **NE PAS LAISSER** les taches sur place trop longtemps.
- **NE PAS UTILISER** de laines d'acier ordinaires ou de brosses en acier. Des débris d'acier pourraient adhérer à la surface et causer de la rouille.
- **NE PAS LAISSER** trop longtemps des solutions salines, des désinfectants, des blanchissants ou des produits nettoyants en contact avec l'acier. Beaucoup de ces produits contiennent des produits chimiques qui pourraient causer des dommages. Rincer à l'eau immédiatement s'ils entrent en contact, puis essuyer avec un chiffon humide.

Les surfaces peintes doivent être nettoyées avec de l'eau tiède additionnée d'un détergent doux seulement.

PRÉPARATION DE LA HOTTE

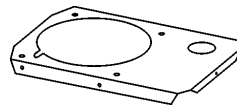
Retirer la hotte de l'emballage, puis vérifier le contenu.

Vous devez recevoir :

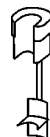
- 1 - Hotte
- 1 - Conduit décoratif
- 1 - Structure de support
- 1 - Sachet avec :
 - 1 - Bride de la structure de support
 - 1 - Collier d'évacuation
 - 4 - Tire-fond (6 x 70 mm)
 - 14 - Vis de montage (3,9 x 9,5 mm, tête ronde)
 - 2 - Vis de montage (2,9 x 9,5 mm, tête ronde)
 - 4 - Rondelles (6,4 mm de diamètre)
 - 6 - Rondelles dentées
 - 1 - Couvercle de boîte de connexion électrique
 - 1 - Serre-fils
- 1 - Instructions d'installation



COLLIER
D'ÉVACUATION



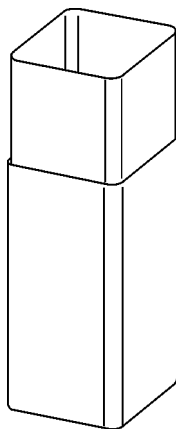
BRIDE DE LA
STRUCTURE
DE SUPPORT



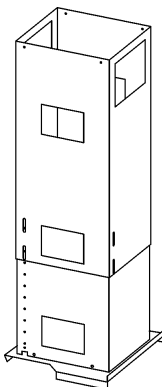
SERRE-FILS



COUVERCLE DE LA
BOÎTE DE CONNEXION
ÉLECTRIQUE



CONDUIT
DÉCORATIF



STRUCTURE
DE SUPPORT



4 TIRE-FOND
(6 x 70 mm)



14 VIS DE
MONTAGE (3,9 x
9,5 mm, tête
ronde)



4 RONDELLES
6,4 mm de
diamètre



6 RONDELLES
DENTÉES



2 VIS DE
MONTAGE
(2,9 x 9,5
mm, tête
ronde)

FIG. 4

INSTALLATION DU SYSTÈME DE CONDUITS

HOTTES À ÉVACUATION EXTÉRIURE SEULEMENT

⚠ ATTENTION : Pour réduire les risques d'incendie, n'utilisez que des conduits en métal.

1. Déterminer par où passera le conduit, entre votre hotte et l'extérieur.
2. Un conduit droit et court permettra à votre hotte de fonctionner plus efficacement.
3. Un conduit long avec des coudes et des transitions réduira la performance de votre hotte. En utiliser le moins possible. Pour une grande distance, il faut un conduit d'évacuation d'air au diamètre plus grand.
4. Installer un capuchon de toit ou de mur. Relier le conduit circulaire en métal au capuchon, puis acheminer le conduit jusqu'à l'emplacement de votre hotte. Sceller hermétiquement les joints à l'aide de ruban à conduits.

INSTALLATION DU SYSTÈME DE SUPPORT

1. Installer, à l'emplacement de votre hotte, une **charpente** de 2 po x 4 po entre les **solives du plafond** selon les dimensions indiquées.
2. Compléter la finition du plafond. Vous assurer de bien marquer l'emplacement des solives du plafond et de la charpente.
3. Fixer la bride de la structure de support aux solives et à la charpente au moyen des quatre tire-fond (6 x 70 mm) et des quatre rondelles (6,4 mm de diamètre) fournies. S'assurer que les vis soient bien centrées dans les solives et dans la charpente pour que tout soit bien solide. Faites attention, le positionnement de la bride détermine la position finale de la hotte : le côté avec la fente B correspond au côté des commandes. Fig. 2.

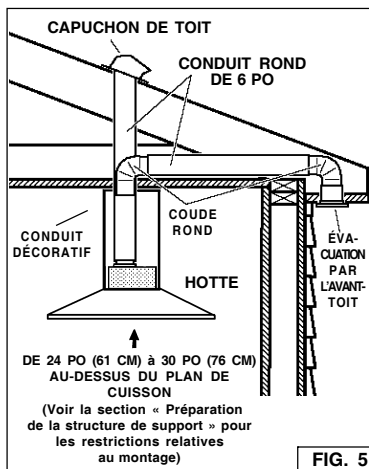


FIG. 5

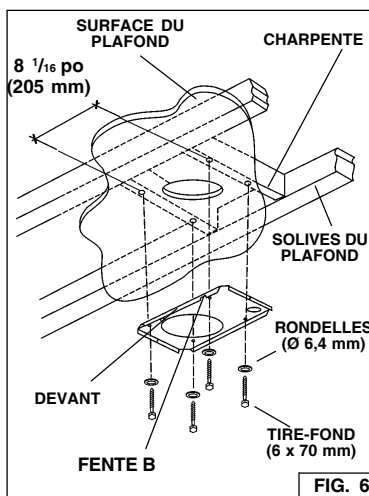


FIG. 6

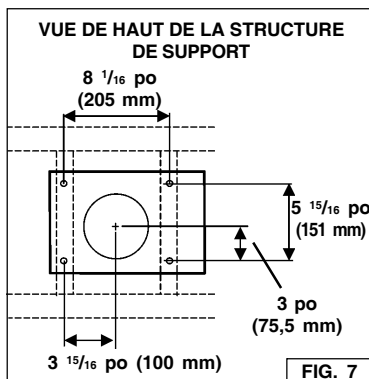
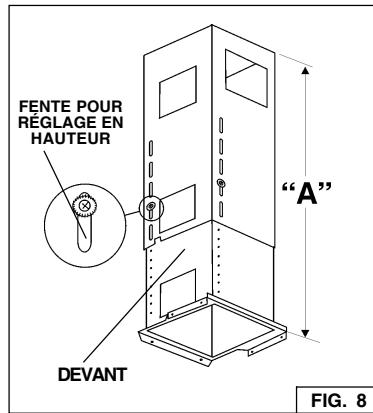


FIG. 7

PRÉPARATION DE LA STRUCTURE DE SUPPORT

PLAFONDS DE 8 PI ET DE 9 PI

1. Mesurer la hauteur de plafond et établir la distance entre la surface de cuisson et le bas de la hotte.
2. Enlever les (4) vis et rondelles des fentes de réglage de hauteur. Figure 8.
3. Régler la longueur générale de la structure de support selon le graphique. Figure 8.
4. Remettre en place les (4) vis et rondelles dans les fentes de réglage de hauteur. Figure 8.



HAUTEUR DU PLAFOND	MÉTHODE D'INSTALLATION DES CONDUITS	ESPACEMENT ENTRE LA HOTTE ET LE PLAN DE CUISSON DE 36 po DE HAUT (voir note a)						
		24"	25"	26"	27"	28"	29"	30"
		LONGUEUR DE LA STRUCTURE DE SUPPORT - DIMENSION "A"						
PLAFOND 8 pi	ÉVACUATION	22 po	21 po					
	RECIRCULATION	22 po	21 po					
PLAFOND 9 pi	ÉVACUATION ET RECIRCULATION			32 po	31 po	30 po	29 po	28 po
	ÉVACUATION ET RECIRCULATION	46 po	45 po	44 po	43 po	42 po	41 po	40 po
PLAFOND 10 pi (voir note b)	ÉVACUATION ET RECIRCULATION	46 po	45 po	44 po	43 po	42 po	41 po	40 po

Notes :

- a. La distance minimale de la hotte au-dessus du plan de cuisson ne doit pas être inférieure à 24 po.
Un maximum de 30 po au-dessus du plan de cuisson est fortement recommandé pour mieux capter les odeurs de cuisson.
Des distances supérieures à 30 po sont à la discrétion de l'installateur et de l'utilisateur, et si la hauteur du plafond et la longueur du conduit le permettent.
- b. Une rallonge de conduit en option pour plafond de 10 pi est essentielle.

PLAFONDS DE 10 PI

Remarque : le matériel suivant doit être acheté séparément pour les installations au plafond de 10 pi.

- Rallonge de conduit, modèle FX54SS, pour les hottes à évacuation.
 - Rallonge de conduit, modèle FXN54SS, pour les hottes à recirculation.
5. Laisser de côté la moitié supérieure de la structure de support accompagnant la hotte et la remplacer par la moitié supérieure, plus longue, de la structure de support accompagnant la rallonge de conduit.
 6. Suivre les étapes 1 à 4 ci-dessus.

PRÉPARATION DE LA STRUCTURE DE SUPPORT (suite)

7. Suspender la structure de support à la bride de la structure (au plafond).
Bien serrer avec les (4) vis de montage de 3,9 mm x 9,5 mm. Fig. 9.

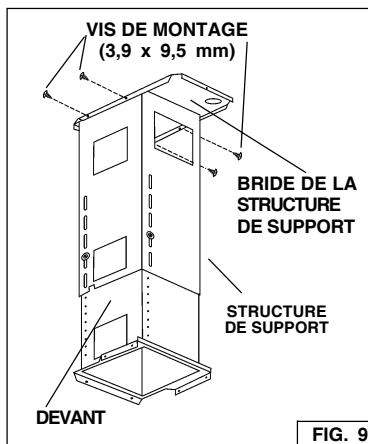


FIG. 9

PRÉPARATION DE LA HOTTE

HOTTES À ÉVACUATION ET À RECIRCULATION

1. Assembler la plaque d'installation électrique à la hotte en utilisant les (2) vis de montage de 3,9 mm x 9,5 mm et les (2) rondelles dentées. Fig. 10.

HOTTES À ÉVACUATION SEULEMENT

2. Installer le collier d'évacuation dans l'ouverture du conduit d'évacuation. Fig. 11.
3. Installer le conduit métallique de 6 po de diamètre à la sortie du ventilateur. Il doit être assez long pour atteindre le conduit débouchant à l'air libre. Sceller hermétiquement les joints à l'aide de ruban à conduits.

HOTTES À RECIRCULATION SEULEMENT

Remarque : le matériel suivant doit être acheté séparément pour les installations à recirculation :

- Kit de recirculation - RK54
 - Conduit métallique extensible de 5 po
1. Ne pas utiliser le collier d'évacuation accompagnant la hotte. Installer l'adaptateur de 6 po à 5 po (accompagnant le kit de recirculation) sur le conduit d'évacuation. Fig. 12.
 2. Sceller hermétiquement les joints à l'aide de ruban à conduits.

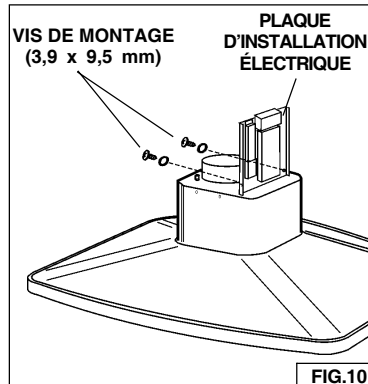


FIG.10

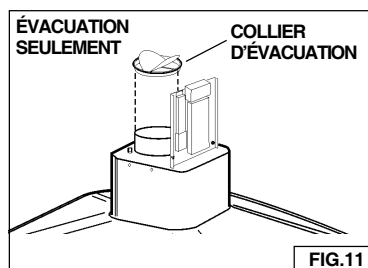


FIG.11

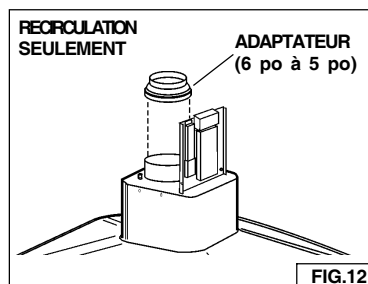
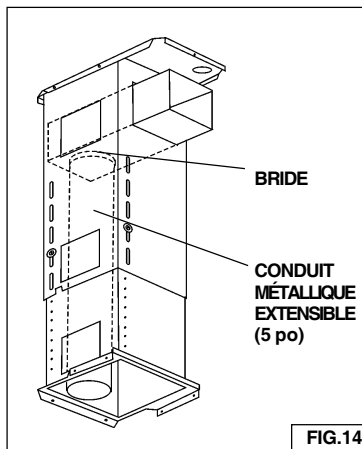
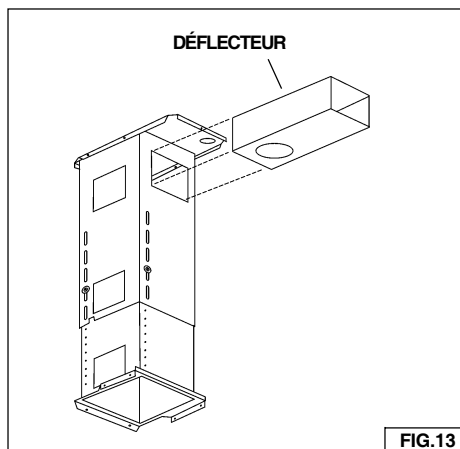


FIG.12

PRÉPARATION DE LA HOTTE (suite)

HOTTES À RECIRCULATION SEULEMENT

3. Installer le déflecteur à travers les ouvertures rectangulaires dans la structure de support. Fig. 13
4. Monter le raccord de conduit d'un diamètre de 5 po sur le déflecteur. Tourner et verrouiller en place. Fig. 14.
5. Fixer le conduit métallique extensible de 5 po de diamètre sur le déflecteur. Une fois étiré, il doit être suffisamment long pour atteindre le fond de la structure de support. Fig. 14.
6. Sceller hermétiquement tous les joints à l'aide de ruban à conduits.



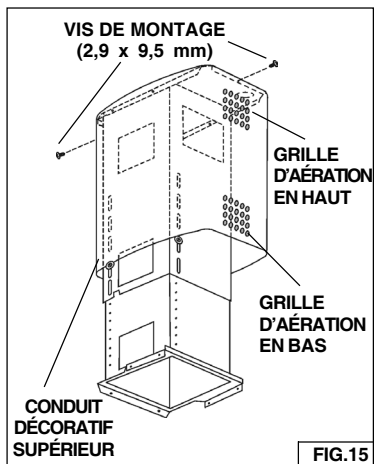
MONTAGE DU CONDUIT DÉCORATIF SUPÉRIEUR

HOTTES À ÉVACUATION SEULEMENT (PLAFONDS DE 8 PI ET DE 9 PI)

1. Installer et fixer le conduit décoratif supérieur sur la structure de support avec les (2) vis de montage de 2,9 x 9,5 mm. Fig. 15.
- Pour les plafonds de 8 pi, installer avec la grille d'aération en bas.
- Pour les plafonds de 9 pi, installer avec la grille d'aération en haut.

(PLAFONDS DE 10 PI)

2. Ne pas utiliser le conduit décoratif supérieur accompagnant la hotte; le remplacer par la rallonge de conduit, modèle FX54SS.
3. Installer et fixer la rallonge de conduit supérieur sur la structure de support avec les (2) vis de montage de 2,9 x 9,5 mm.



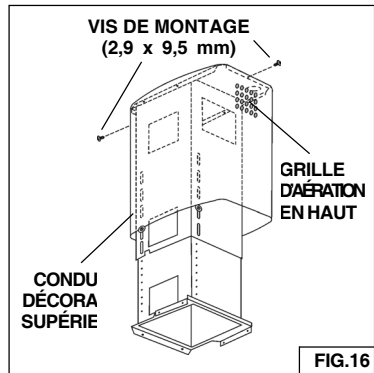
MONTAGE DU CONDUIT DÉCORATIF SUPÉRIEUR (suite)

HOTTES À RECIRCULATION SEULEMENT (PLAFONDS DE 8 PIET DE 9 PI)

4. Installer le conduit décoratif supérieur avec la grille d'aération en haut.
Fixer la structure de support avec les (2) vis de montage de 2,9 x 9,5 mm. Fig. 16.

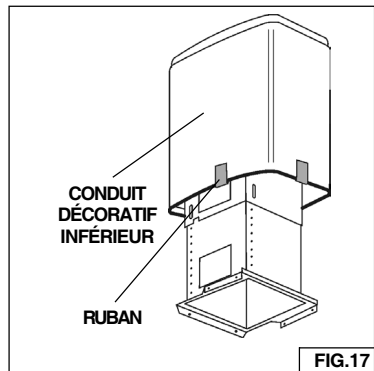
(PLAFONDS DE 10 PI)

5. Ne pas utiliser le conduit décoratif accompagnant la hotte; le remplacer par la rallonge de conduit, modèle FXN54SS.
6. Installer avec la grille d'aération en haut et fixer à la structure de support avec les (2) vis de montage de 2,9 x 9,5 mm.



MONTAGE DU CONDUIT DÉCORATIF INFÉRIEUR

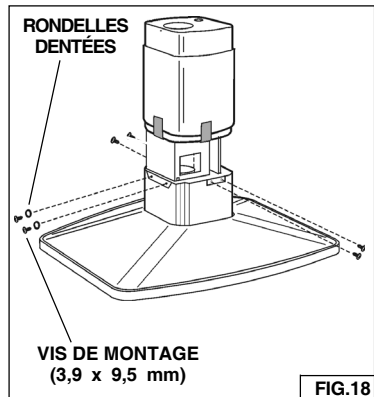
1. Faire glisser le conduit décoratif inférieur vers le haut et par-dessus le conduit supérieur jusqu'à ce qu'il touche le plafond.
Fixer provisoirement les deux moitiés avec du ruban pour conduits. Fig. 17.



INSTALLATION DE LA HOTTE

⚠ ATTENTION : En raison de la grande dimension et du poids de cet appareil, il est recommandé de confier l'installation de cette hotte à deux personnes.

1. Fixer la hotte sur la structure du support avec les (6) vis de montage de 3,9 x 9,5 mm et les (2) rondelles dentées. Fig. 18.



RACCORD DES CONDUITS

Sceller hermétiquement tous les joints à l'aide de ruban à conduits.

HOTTES À ÉVACUATION SEULEMENT

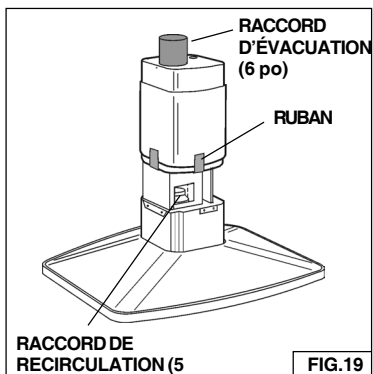
1. Raccorder le conduit métallique de 6 po de diamètre aux conduits d'évacuation vers l'air libre.

HOTTES À RECIRCULATION SEULEMENT

2. Raccorder le conduit métallique extensible de 5 po de diamètre allant du déflecteur de recirculation à l'adaptateur sur le conduit d'évacuation.

HOTTES À ÉVACUATION ET À RECIRCULATION

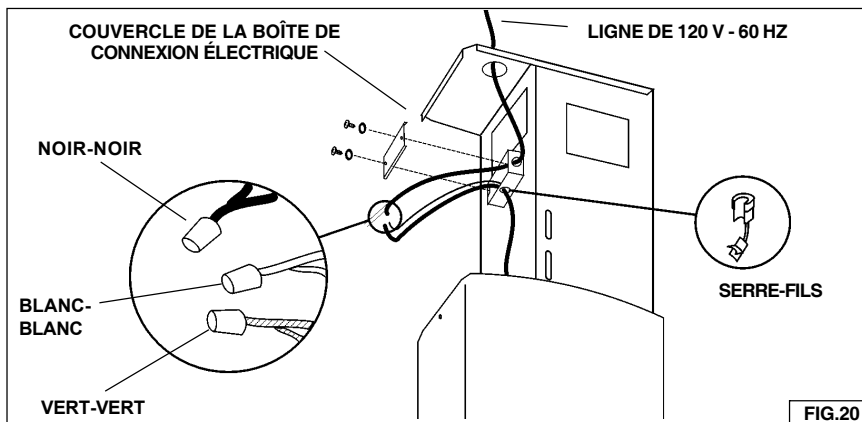
3. Retirer le ruban du conduit décoratif inférieur. Abaisser le conduit jusqu'à ce qu'il repose sur la partie supérieure de la hotte.
4. Retirer le ruban du conduit décoratif inférieur et supérieur. Abaisser le conduit jusqu'à ce qu'il repose sur la partie supérieure de la hotte.



INSTALLATION ÉLECTRIQUE

⚠ ATTENTION: le câblage électrique doit être effectué par une personne qualifiée en vertu des codes et des normes en vigueur. La hotte doit être correctement reliée à la terre. Coupez l'alimentation électrique avant de procéder au câblage.

1. Retirer le couvercle de la boîte de connexion électrique. Fig. 20.
2. Passer le câble électrique bifilaire plus mise à la terre par l'ouverture ronde de la bride de la structure de support, puis dans la boîte de connexion électrique.
3. Fixer le fil dans la boîte de connexion électrique avec un serre-fils approprié.
4. Enfiler le câble d'alimentation de la hotte dans le trou se trouvant au fond de la boîte de connexion électrique.
5. Fixer le câble à la boîte avec le serre-fils (inclus dans le sachet des pièces).
6. Raccorder les fils : BLANC avec BLANC, NOIR avec NOIR et VERT avec mise à la terre.
7. Placer les fils dans la boîte de branchement. Remettre en place le couvercle sur la boîte de connexion électrique.
8. Soulever le conduit décoratif supérieur et remettre en place les vis de montage.



INSTALLATION DES FILTRES

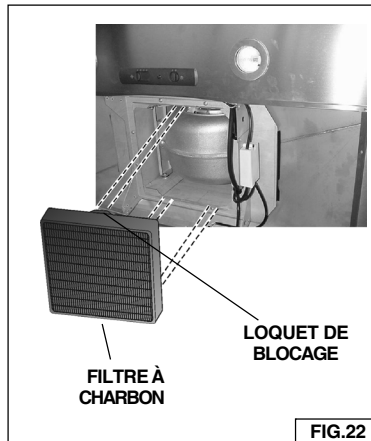
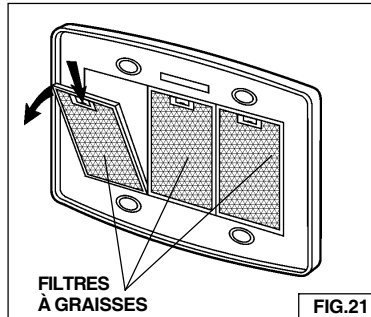
(HOTTES À ÉVACUATION ET À RECIRCULATION)

1. Pour retirer le filtre à GRAISSES, abaisser la languette du taquet et incliner vers le bas.
2. Pour replacer le filtre à GRAISSES, aligner les languettes arrière du filtre avec les fentes de la hotte. Abaisser la languette vers le bas, pousser le filtre pour le remettre en place, puis relâcher. Vérifier que le filtre soit bien placé.

REMARQUE : Avant l'utilisation, retirer le film de protection du cadre du filtre.

(HOTTES À RECIRCULATION SEULEMENT)

1. Pour retirer le filtre à CHARBON, appuyer sur le taquet frontal du filtre. Abaisser le filtre pour dégager ses languettes arrière.
2. Pour installer le filtre à CHARBON, aligner les languettes arrière du filtre avec les fentes de la hotte. Pousser le filtre pour le mettre en place jusqu'à ce que le taquet frontal s'emboîte complètement dans la fente. Vérifier que le filtre soit bien placé.
3. Remettre en place le filtre à GRAISSES après avoir installé le filtre à charbon.



GARANTIE

GARANTIE LIMITÉE DE UN AN DE BROAN

Broan-NuTone LLC (Broan-NuTone) garantit à l'acheteur original que les produits BROAN vendus en vertu de la présente sont libres de tout vice de matériau ou de fabrication pour une période de un an à compter de la date d'achat originale. CETTE GARANTIE NE COMPORTE AUCUNE AUTRE GARANTIE, EXPRESSE OU TACITE, Y COMPRIS, MAIS SANS S'Y LIMITER, LES GARANTIES TACITES DE VALEUR MARCHANDE OU D'ADAPTATION À UN USAGE PARTICULIER. Durant cette période de un an, Broan-NuTone réparera ou remplacera gratuitement, à sa discrétion, tout produit ou toute pièce jugés défectueux dans des conditions normales d'utilisation.

CETTE GARANTIE NE S'APPLIQUE PAS AUX TUBES FLUORESCENTS ET AUX STARTERS, NI AUX AMPOULES HALOGÈNES OU INCANDESCENTES, FUSIBLE, FILTRES, CONDUITES, CHAPEAUX DE TOIT, CHAPEAUX DE MUR ET AUTRES ACCESSOIRES POUR CANALISATIONS. Cette garantie ne couvre pas (a) les frais d'entretien ou de service normaux ni (b) tout produit ou toute pièce soumis à une utilisation inadéquate, une négligence, un accident, un entretien ou une réparation inadéquats (autres que ceux effectués par Broan-NuTone), une mauvaise installation ou une installation contraire aux instructions recommandées.

La durée de toute garantie tacite est limitée à la période de un an stipulée pour la garantie expresse. Certains États ou provinces ne permettent pas de limites quant à la durée d'une garantie implicite. La restriction susmentionnée peut donc ne pas s'appliquer dans votre cas.

BROAN-NUTONE'S L'OBLIGATION POUR BROAN-NUTONE DE RÉPARER OU DE REMPLACER LE PRODUIT, À SA DISCRETION, CONSTITUE LE SEUL RECOURS DE L'ACHETEUR EN VERTU DE CETTE GARANTIE. BROAN-NUTONE NE PEUT PAS ÊTRE TENUE RESPONSABLE DE TOUT DOMMAGE INDIRECT, CONSÉCUTIF OU ACCESSOIRE DÉCOULANT DE L'UTILISATION OU DU RENDEMENT DU PRODUIT. Certains États ou provinces interdisent l'exclusion ou la restriction des dommages indirects ou consécutifs. La restriction susmentionnée peut donc ne pas s'appliquer dans votre cas.

La présente garantie vous confère des droits spécifiques reconnus par la loi. D'autres droits pourraient également vous être accordés selon la législation locale en vigueur. La présente garantie remplace toutes les autres garanties précédentes.

Pour le service sous garantie, vous devez (a) aviser Broan-NuTone à l'une des adresses ou numéros de téléphone mentionnés ci-dessous, (b) indiquer le numéro de modèle et d'identification de la pièce et (c) décrire la défectuosité du produit ou de la pièce. Lors d'une réclamation, vous devez présenter une preuve de la date d'achat originale.

In USA - Broan®, 926 W. State Street, Hartford, WI 53027 (800-558-1711)
In Canada - Broan®, 550 Lemire Blvd., Drummondville, QC J2C 7W9 (866-737-7770)
www.Broan.com

LEA Y CONSERVE ESTAS INSTRUCCIONES



INDICADO PARA EL USO EN COCINAS DOMESTICAS



ADVERTENCIA

PARA EVITAR EL RIESGO DE INCENDIO, CORTOCIRCUITO O DAÑO PARA LAS PERSONAS, OBSERVE ATENTAMENTE LAS SIGUIENTES NORMAS:

1. Use esta unidad solamente de la manera indicada por el fabricante; si tiene dudas, póngase en contacto con éste a la dirección o teléfono indicados en la garantía.
2. Antes de hacer una revisión o de limpiar la unidad, desconéctela de la red para evitar que se encienda de manera accidental. En el caso de que éste no pueda ser desactivado, se indicará nel panel de servicio.
3. El montaje y la instalación eléctrica debe hacerlos un técnico especializado siguiendo las normas estándar e incluyendo aquellas de construcción anti incendio.
4. Necesita aire suficiente para una apropiada combustión y escape de gases a través del tubo del depósito de quema de combustible. Para evitar que el humo aspirado vuelva a la cocina, siga las directivas del fabricante y las normas estándar de seguridad así como las normas publicadas por la Asociación de prevención de incendios (NFPA) y la Sociedad americana de especialistas en cale-facción, refrigeración y aire acondicionado y además las normas de las autoridades locales.
5. Hacer un corte o un taladro en la pared o en el techo no debe dañar la instalación eléctrica u otras instalaciones ocultas en la pared.
6. Los conductos ventiladores deben siempre desalojar al exterior.
7. No use esta unidad con dispositivo de control de la velocidad a estado sólido.
8. Para evitar el riesgo de incendio, use solamente conductos de metal.
9. Esta unidad tiene que ser conectada a tierra.

PARA EVITAR EL RIESGO DE FUEGO POR ALTO NIVEL DE GRASA:

- A. Nunca abandone los quemadores con el fuego alto. La cocción causa humo y restos de grasa que pueden arder. Caliente el aceite a fuego medio o bajo.
- B. Encienda siempre la campana cuando cocine a fuego alto o cuando cocine alimentos fácilmente inflamables. (por ejemplo Crepes Suzette, Cerezas Jubilee, Ternera flambeada con granos de pimienta).
- C. Limpie con frecuencia los ventiladores. No se debe acumular grasa en el ventilador o en el filtro.
- D. Usa el tamaño de cazuola apropiado. Use siempre utensilios de cocina de tamaño y material adecuados.



ADVERTENCIA

PARA EVITAR EL RIESGO DE DAÑOS A PERSONAS EN CASO DE FUEGO POR ALTO NIVEL DE GRASA, TENGA EN CUENTA LO SIGUIENTE:*

1. SOFOQUE LA LLAMA con una tapadera apropiada, una bandeja metálica ó un utensilio de cocina que pueda cubrirla, despues, apague el quemador. ACTÚE CON PRECAUCIÓN PARA EVITAR QUEMADURAS. Si la llama no se extingue inmediatamente, SALGA Y LLAME A LOS BOMBEROS.
2. NUNCA COJA UNA SARTEN EN LLAMAS, porque corre el riesgo de quemarse.
3. NO USE AGUA ni paños o toallas húmidas porque puede provocarse una violenta humareda.
4. Use un extintor SOLAMENTE si:
 - A. Posee un extintor de clase ABC y sabe perfectamente cómo usarlo.
 - B. El fuego es pequeño y está controlado en el mismo sitio en que empezó.
 - C. Ha llamado con anterioridad a los bomberos.
 - D. Puede combatir el fuego retrocediendo hacia la salida.

* Basado en "Seguridad antifuego en la cocina" publicado por NFPA.



ADVERTENCIA

1. Para uso en interiores.
2. Para reducir el riesgo de incendios y para evacuar correctamente los humos, asegurarse de haber realizado una conducción del aire hasta el exterior. No expulsar los humos en espacios cerrados por paredes o techos, áticos, espacios angostos o garajes.
3. Prestar la máxima atención al utilizar productos de limpieza o detergentes.
4. Evitar el uso de productos alimentarios que puedan inflamarse bajo la campana.
5. Sólo para ventilación total. No use gases de escape peligrosos o materiales y vapores explosivos.
6. Para evitar daños en el funcionamiento del motor e impulsores ruidosos y/o desequilibrados, mantenga alejados de la unidad de encendido pulverizadores en seco o polvo.
7. El motor tiene un nivel de sobrecarga térmica que apaga automáticamente el motor cuando se ha recalentado excesivamente. El motor se pone de nuevo en funcionamiento cuando la temperatura baja. Si el motor comienza a encenderse y a apagarse, deberá hacer una revisión de éste.
8. Para limpiar mejor las impurezas al cocinar, la distancia entre la parte inferior de la campana y la zona de cocción debe ser mínimo 24" - máximo 30". Las restricciones de montaje se explican en "Preparación del armazón de soporte".
9. Debido a su gran tamaño y peso, se recomienda su montaje por parte de dos técnicos especializados.
10. Este producto está dotado de un termostato que pone en marcha automáticamente el motor. Para reducir el riesgo de daños y evitar que se encienda accidentalmente, colocar el interruptor del panel de servicio en la posición OFF y bloquear el panel de servicio o colocar una advertencia externa como por ejemplo un letrero o una chapita.
11. Use solamente con juego de conexión para alimentación aprobado.
12. Se recomienda leer la placa de características del producto para ulterior información.

FUNCIONAMIENTO

Mandos

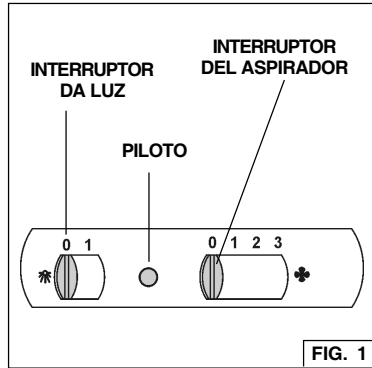
La campana se controla mediante los mandos correderos situados en la parte inferior de la misma.

El **interruptor da luz** enciende y apaga las lámparas.

El **interruptor del aspirador** enciende el ventilador en uno de los siguientes ajustes de velocidad:

- 0 - APAGADO
- 1 - VELOCIDAD BAJA
- 2 - VELOCIDAD MEDIA
- 3 - VELOCIDAD ALTA

El **piloto** se enciende cuando el aspirador está funcionando.



HEAT SENTRYMR

Su campana está equipada con termostato HEAT SENTRYMR. Este termostato tiene un mecanismo que se encenderá o acelerará el ventilador si se detecta un calor excesivo encima de la cocina.

- 1) Si el ventilador está apagado - el se prenderá a una velocidad máxima.
- 2) Si el ventilador está encendido a una velocidad mínima - el se prenderá a una velocidad máxima.

Cuando la temperatura disminuye a un nivel normal, el ventilador vuelve a la función de origen.

⚠ AVERTENCIA : El HEAT SENTRYMR termostato puede comenzar a funcionar al igual si la campana está parada. En este caso, es imposible parar el ventilador con los interruptores. Si usted para la campana, halago a partir del panel eléctrico principal.

LAMPARAS HALOGENAS

Este tipo de campana necesita (4) lámparas halógenas (Tipo T3, 12Volt, 20 Watt Max, G-4 Base).

⚠ AVERTENCIA: Antes de proceder a cualquier operación, es necesario desconectar el aparato.

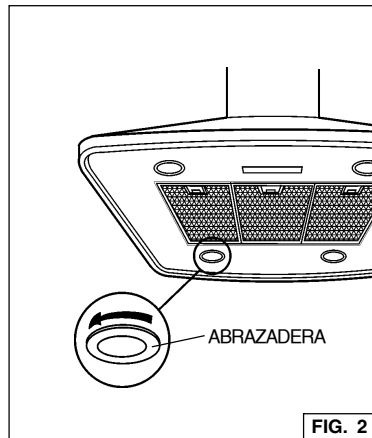
Para cambiar las lámparas:

1. Destornillar la abrazadera en sentido antihorario.
2. Extraiga la lámpara oblicuamente (NO LA GIRE).

⚠ ATENCIÓN: las lámparas pueden estar calientes.

3. Sustituir con lámparas del mismo tipo (T3, 12Volt, 20 Watt Max, G-4 Base). No toque la lámpara de repuesto con las manos desnudas.

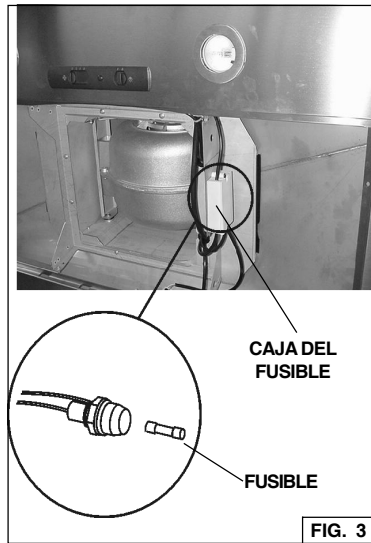
No utilice los bulbos mayor de 20 vatios. Los bulbos mayor de 20 vatios harán el fusible abrirse.



SUSTITUCIÓN DEL FUSIBLE

SI LAS LUCES NO FUNCIONAN, DESCONECTE LA ELECTRICIDAD EN LA ENTRADA DE SERVICIO. COMPRUEBE EL FUSIBLE Y, SI FUESE NECESARIO, SUSITITÚYALO.

1. Retire los filtros antigrasa.
2. Retire la cubierta de la caja fusible.
3. Localice el soporte del fusible. Desatornille su tapa y retire el fusible.
4. Sustituya el fusible por otro del mismo tamaño y amperaje (5 x 20 mm, 4 amp., 125 volt.).
No utilice los fusibles mayor de 4 amperios. Los fusibles mayor de 4 amperios pueden dañar el transformador.
5. Vuelva a colocar la tapa del portafusibles, la cubierta de la caja fusible y los filtros antigrasa.
6. Vuelva a conectar la electricidad en la entrada de servicio.



MANTENIMIENTO

Un mantenimiento adecuado de la campana asegura el funcionamiento correcto del aparato.

Filtro antigrasa

El **filtro antigrasa** debe limpiarse con frecuencia. Use un detergente que no sea fuerte. Use un detergente que no sea fuerte. El filtro antigrasa se puede meter en el lavavajillas.

Las instrucciones de desmontaje e instalación se encuentran en la sección "INSTALACIÓN DE LOS FILTROS".

Filtro al carbón (configuración sin tubo)

El filtro al carbón debe cambiarse cada seis meses. Las instrucciones de desmontaje e instalación se encuentran en la sección "INSTALACIÓN DE LOS FILTROS".

Limpieza de la campana

El acero inoxidable es uno de los materiales más fáciles de limpiar, pero sería aconsejable un especial cuidado en su uso para mantenerla en buen estado. La campana se puede limpiar de las siguientes maneras:

- Agua caliente con jabón o detergente es la mejor manera para limpiarla.
- Aclárela con agua corriente, séquela con un paño suave y limpio para evitar las huellas que deja el agua.
- Para las manchas o restos de grasa que persistan, use un producto químico doméstico que no raye ó un limpiador para acero inoxidable con poca agua y un paño suave.
- Si las manchas persisten, use un estropajo y un cepillo de cerdas suaves con un producto limpiador y agua. Frote suavemente en el sentido del pulido o de las "vetas" del remate del inoxidable. No apriete demasiado porque podría dañar la superficie.
- No deje que las manchas se acumulen durante mucho tiempo.
- No use utensilios o cepillos de acero. Pequeñas partículas de acero pueden adherirse y oxidarse.
- No use soluciones salinas, desinfectantes, lejías, o productos de limpieza que permanezcan en contacto con el acero inoxidable durante largos periodos de tiempo. Muchos de estos productos contienen componentes químicos que podrían

PREPARE LA CAMPANA

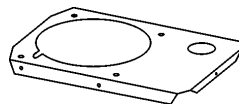
Sacar la campana de l'embalaje y controlar el contenido.

Recivireis:

- 1 - Campana
- 1 - Chimenea decorativa
- 1 - Armazón de soporte
- 1 - Bolsita con:
 - 1 - Placa armazón de soporte
 - 1 - Casquillo
 - 4 - Tirafonds (6 x 70mm)
 - 14 - Tornillos de montaje (3.9 x 9.5mm cabeza redonda)
 - 2 - Tornillos de montaje (2.9 x 9.5mm cabeza redonda)
 - 4 - Arandelas D.6.4mm
 - 6 - Arandelas dentadas
 - 1 - Cubierta de la caja del cableado
 - 1 - Sujeta cabo
- 1 - Instrucciones para instalación



CASQUILLO



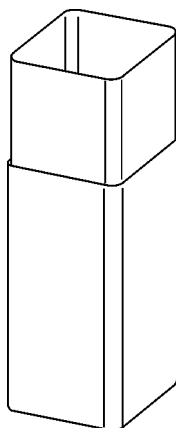
PLACA ARMAZÓN DE SOPORTE



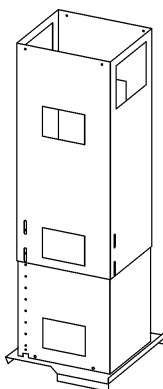
SUJETA CABO



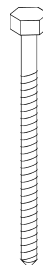
CUBIERTA DE LA CAJA DEL CABLEADO



CHIMENEA DECORATIVA



ARMAZÓN DE SOPORTE



4 TIRAFONDS
(6 x 70mm)



14 TORNILLOS DE MONTAJE (3.9 x 9.5mm cabeza plano)



4 ARANDELAS
D.6.4mm



6 ARANDELAS
DENTADAS



2 TORNILLOS DE MONTAJE (2.9 x 9.5mm cabeza plano)

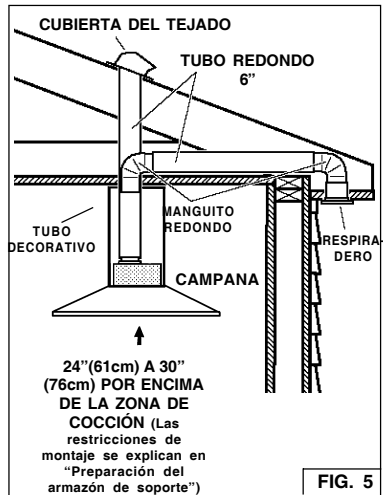
FIG. 4

INSTALACION DEL TUBO DE EXTRACCION

CAMPANAS CON CONDUCTO

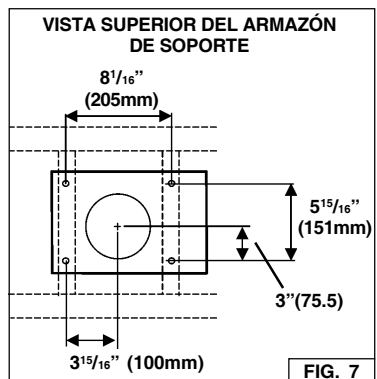
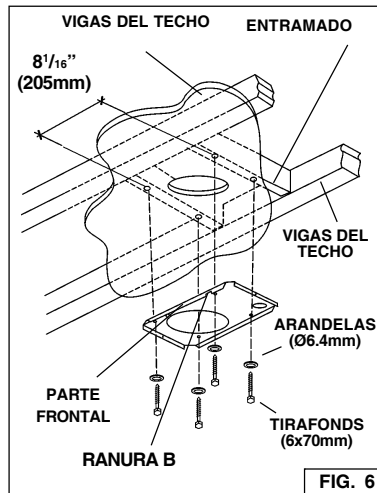
⚠️ NOTA: para evitar el riesgo de incendio, use solamente material de metal.

1. Decida donde va a colocar el tubo de extracción entre la campana y la parte exterior.
2. Un recorrido de tubo corto y recto permitirá a la campana funcionar de manera más eficaz.
3. Los recorridos largos de tubo, codos y manguitos impiden el buen funcionamiento de la campana. Use el menor número de ellos posible. Para usos prolongados es necesario un tubo de evacuación del aire de mayor diámetro.
4. Instale una cubierta ó una tapa. Una el tubo de metal a la cubierta y retroceda hasta la posición de la campana. Use una cinta para precintar las juntas entre las partes del entubado.



INSTALACION DEL SISTEMA DE SUJECION

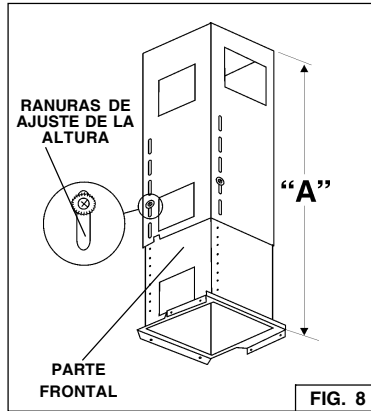
1. En el sitio donde vaya a ir la campana, instale un **entramado** entre las **vigas del techo** utilizando las medidas dadas.
2. Termine la superficie del techo. Asegúrese de marcar la colocación de las vigas del techo y del entramado.
3. Sujete la placa del armazón de soporte a las vigas y al entramado con los cuatro tirafonds (6x70mm) y cuatro arandelas (D. 6.4mm). Compruebe que los tornillos vayan al centro de las vigas del techo para una mayor rigidez. Tener cuidado porque la ubicación de la placa determina la posición final del aparato: el lado con la ranura B corresponde al lado comandos. Fig. 2.



PREPARACIÓN DEL ARMAZÓN DE SOPORTE

TECHOS DE 8 O 9 PIES

1. Mida la altura del techo y determine la distancia entre la encimera y la parte inferior de la campana.
2. Retire los cuatro tornillos y arandelas de las ranuras de ajuste de la altura. Figura 8.
3. Ajuste la longitud total del armazón de soporte de acuerdo con la tabla. Figura 8.
4. Vuelva a colocar los cuatro tornillos y arandelas de las ranuras de ajuste de la altura. Figura 8.



ALTURA DEL TECHO	MÉTODO DE CONDUCTO	DISTANCIA DE LA CAMPANA POR ENCIMA DE 36" SOBRE LA SUPERFICIE DE LA COCINA (VÉASE la nota a)						
		24"	25"	26"	27"	28"	29"	30"
		LONGITUD DE L'ARMAZON DE SOPORTE, DIMENSION "A"						
TECHO 8'	CON CONDUCTO	22"	21"					
	SIN CONDUCTO	22"	21"					
TECHO 9'	CON CONDUCTO Y SIN CONDUCTO			32"	31"	30"	29"	28"
TECHO 10' (VÉASE la nota b)	CON CONDUCTO Y SIN CONDUCTO	46"	45"	44"	43"	42"	41"	40"

Notas:

- a. La distancia mínima de la campana por encima de la encimera debe ser de 24" como mínimo.
Para capturar óptimamente las impurezas de cocción, se recomienda una altura máxima de 30" sobre la encimera. Si la altura del techo y la longitud de la chimenea lo permiten, se puede aplicar una distancia superior a 30" a discreción del instalador y el usuario.
- b. Precisa una extensión de chimenea adicional de 10'.

TECHOS DE 10 PIES

Nota: Para las instalaciones en techos de 10 pies deben adquirirse por separado los materiales siguientes.

- Extensión de chimenea modelo FX54SS para instalaciones con conducto
 - Extensión de chimenea modelo FXN54SS para instalaciones sin conducto
5. Deseche la mitad superior del armazón de soporte suministrada con la campana extractora. Sustitúyala por el armazón superior de soporte, más largo, suministrado con la campana extractora.
 6. Siga los pasos 1 a cuatro antes indicados.

PREPARACIÓN DEL ARMAZÓN DE SOPORTE, cont.

7. Cuelgue el armazón de soporte de la brida para armazón de soporte (situada en el techo).

Fije firmemente con cuatro tornillos de montaje de 3,9 x 9,5 mm. Fig. 9.

PREPARACIÓN DE LA CAMPANA

CAMPANAS CON O SIN CONDUCTO

1. Monte la Placa del sistema eléctrico a la campana con dos tornillos de montaje de 3.9 x 9.5 mm y dos arandelas dentadas. Fig. 10.

SÓLO PARA CAMPANAS CON CONDUCTO

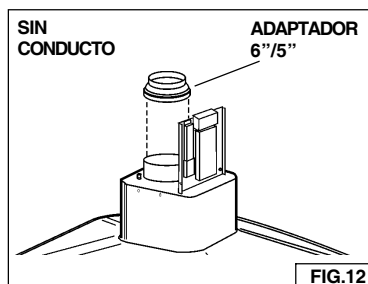
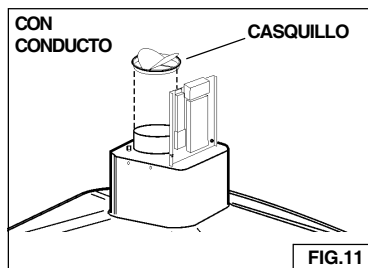
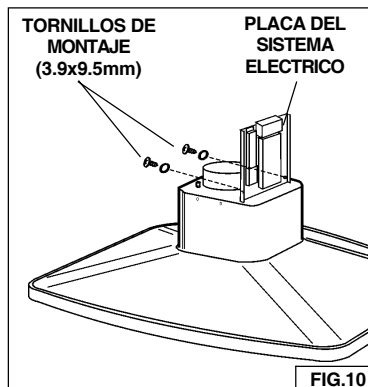
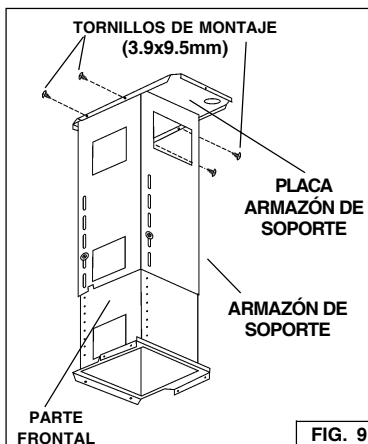
2. Monte el casquillo de plástico de descarga en la abertura de descarga del soplador. Fig. 11.
3. Monte el conducto metálico de 6" de diámetro sobre la descarga del soplador. Debe ser suficientemente largo para llegar a la tubería que descarga al exterior. Encinte todas las uniones de los conductos para fijarlos y estanqueizarlos.

SÓLO PARA CAMPANAS SIN CONDUCTO

Nota: Para las instalaciones de recirculación sin conductos deben adquirirse por separado los materiales siguientes.

- Kit de recirculación sin conductos RK54
- Conducto expansible metálico de 5" de diámetro

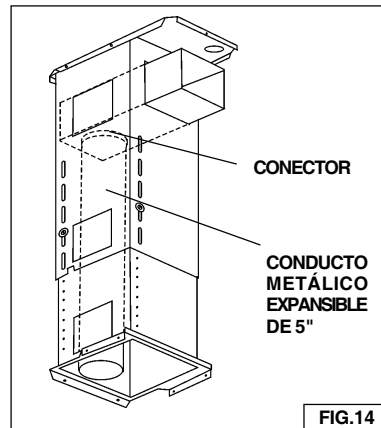
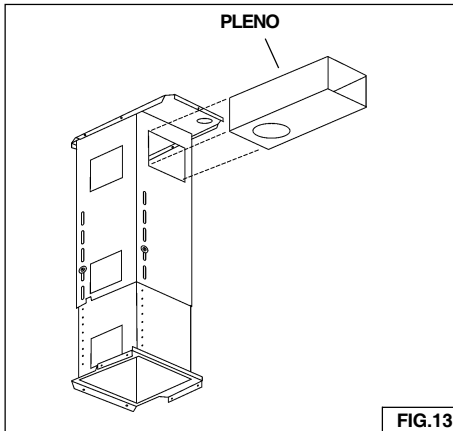
1. Deseche el casquillo de descarga de plástico suministrado con la campana. Monte el adaptador de 5" o 6" (incluido en el kit de recirculación sin conducto) sobre la descarga del soplador. Fig. 12.
2. Encinte todas las uniones para fijarlas y estanqueizarlas.



PREPARACIÓN DE LA CAMPANA, cont.

SÓLO PARA CAMPANAS SIN CONDUCTO

3. Monte el pleno a través de la abertura rectangular superior del armazón de soporte. Fig. 13
4. Monte el conector de conductos de 5" de diámetro al pleno. Gire y bloquee para fijar. Fig. 14.
5. Fije el conducto expansible **metálico** de 5" de diámetro al pleno. Cuando se tire del mismo, debe ser suficientemente largo para llegar a la parte inferior del armazón de soporte. Fig. 14.
6. Encinte todas las uniones de los conductos para fijarlos y estanqueizarlos.



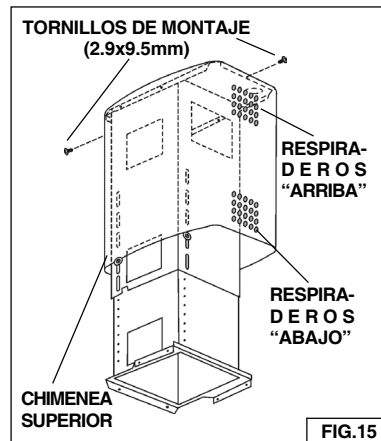
MONTAJE DE LA CHIMENEA DECORATIVA SUPERIOR

SÓLO PARA CAMPANAS CON CONDUCTO (TECHOS DE 8 O 9 PIES)

1. Monte y fije la chimenea superior al armazón de soporte con dos tornillos de montaje de 2.9 x 9.5 mm. Fig. 15.
- En techos de 8 pies, móntela con los respiraderos abajo.
 - En techos de 9 pies, móntela con los respiraderos arriba.

(TECHOS DE 10 PIES)

2. Deseche la chimenea superior suministrada con la campana. Sustitúyala por la chimenea superior incluida en la extensión de chimenea modelo FX54SS.
3. Monte y fije la chimenea superior al armazón de soporte con dos tornillos de montaje de 2.9 x 9.5 mm.



MONTAJE DE LA CHIMENEA DECORATIVA SUPERIOR, Cont.

SÓLO PARA CAMPANAS SIN CONDUCTO
(TECHOS DE 8 O 9 PIES)

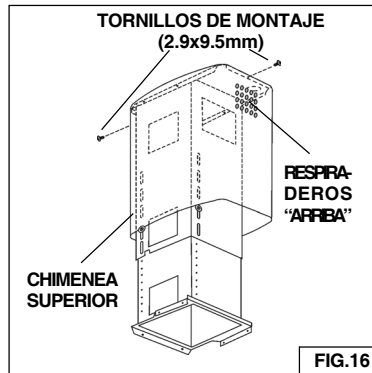
4. Monte la chimenea superior con los respiraderos arriba.

Fíjela al armazón de soporte con dos tornillos de montaje de 3.9 x 9.5 mm.
Fig. 16.

(TECHOS DE 10 PIES)

5. Deseche la chimenea superior suministrada con la campana. Sustitúyala por la chimenea superior incluida en la extensión de chimenea modelo FXN54SS.

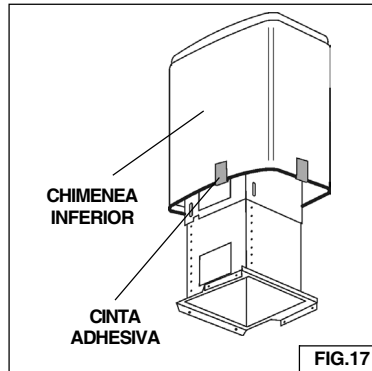
6. Monte la chimenea con los respiraderos arriba y fíjela al armazón de soporte con dos tornillos de montaje de 2.9 x 9.5 mm.



MONTAJE DE LA CHIMENEA DECORATIVA INFERIOR

1. Deslice la chimenea inferior hacia arriba y sobre la chimenea superior hasta que toque el techo.

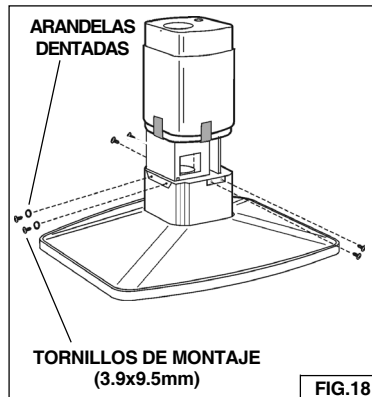
Sujete ambas mitades entre ellas provisionalmente con cinta para conductos. Fig. 17.



INSTALACIÓN DE LA CAMPANA

⚠ PRECAUCIÓN: Dados el peso y el tamaño de la campana, se necesitan dos instaladores como mínimo.

1. Fije la campana al armazón de soporte con seis tornillos de montaje de 3.9 x 9.5 mm y dos arandelas onduladas.
Fig.18.



CONEXIÓN DE LA TUBERÍA

Encínte todas las conexiones para fijarlas y estanqueizarlas.

SÓLO PARA CAMPANAS CON CONDUCTO

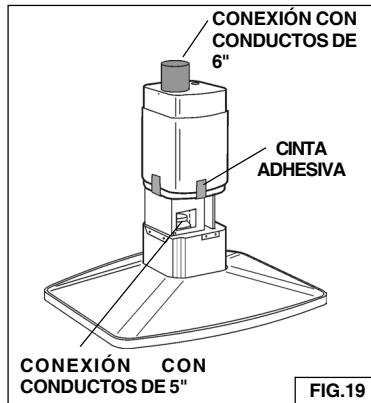
1. Conecte el conducto metálico de 6" de diámetro a la tubería que descarga al exterior.

SÓLO PARA CAMPANAS SIN CONDUCTO

2. Conecte el conducto metálico expansible de 5" entre el pleno y el adaptador de la descarga del soplador.

CAMPANAS CON O SIN CONDUCTO

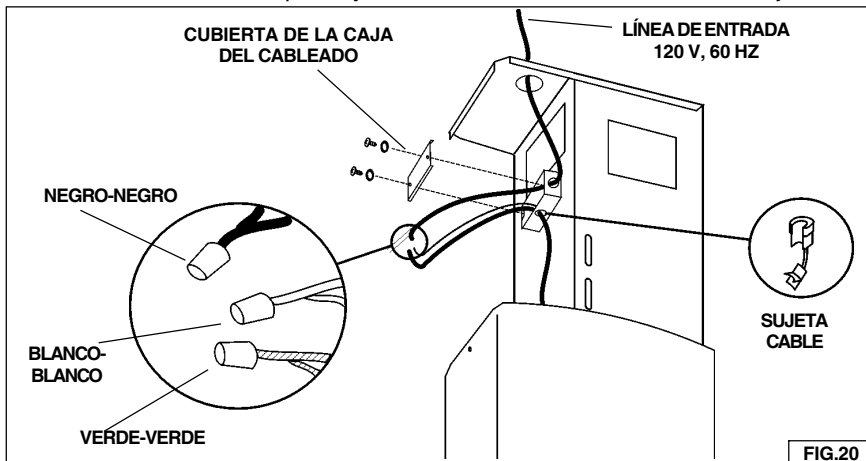
3. Retire la cinta de la chimenea inferior. Baje la chimenea hasta que se asiente en la parte superior de la campana.
4. Quite la cinta adhesiva de la chimenea superior e inferior. Baje la chimenea hasta que se asiente en la parte superior de la campana.



INSTALACIÓN ELÉCTRICA

⚠ ATENCIÓN: El cableado eléctrico deben realizarlo personas cualificadas y conforme a todos los códigos y normas aplicables. Esta campana de cocina debe disponer de conexión a tierra. Desconecte la corriente eléctrica por la toma de servicio antes de cablear.

1. Retire la tapa de la caja del cableado. Fig. 20.
2. Tienda un cable de dos conductores y tierra a través de la abertura de la brida del armazón de soporte y hacia dentro de la caja del cableado.
3. Fije el cable a la caja con un conector para cables adecuado.
4. Alimente el cable de corriente de la campana extractora a través del orificio de la parte inferior de la caja del cableado.
5. Fije el cable a la caja con el sujetacable (incluido en la bolsa de herrajes).
6. Conecte los cables, blanco con blanco, negro con negro y verde a tierra.
7. Empuje el cableado hacia dentro de la caja eléctrica. Vuelva a colocar la tapa de la caja del cableado.
8. Levante la chimenea superior y vuelva a colocar los tornillos de montaje.



INSTALACIÓN DE FILTROS

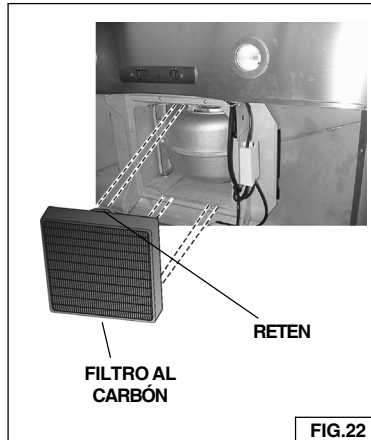
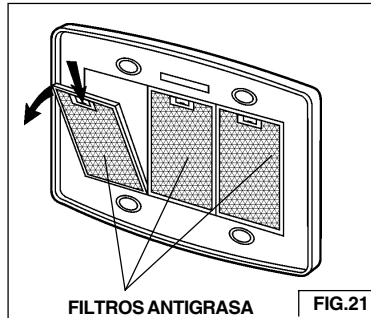
(CONFIGURACIÓN CON CONDUCTO Y SIN CONDUCTO)

1. Para quitar el filtro de GRASA, agarre con fuerza la lengüeta del seguro y tire de ella.
2. Para instalar el filtro de GRASA, alinee las lengüetas posteriores del filtro con las ranuras de la campana. Tire de la lengüeta del seguro hacia abajo, coloque el filtro en su posición y suéltelo. Asegúrese de que el filtro encaja correctamente después de montarlo.

NOTA: Antes del funcionamiento, retire la película protectora del filtro antigrasa.

(CONFIGURACIÓN SIN CONDUCTO)

1. Para quitar el filtro de CARBÓN, empuje la lengüeta delantera del filtro. Tire del filtro para desconectarlo de las lengüetas posteriores.
2. Para instalar el filtro de CARBÓN, alinee las lengüetas posteriores del filtro con las ranuras de la campana. Empujando, coloque el filtro en su lugar hasta que el seguro delantero encaje correctamente en su ranura. Asegúrese de que el filtro encaja correctamente después de montarlo.
3. Instale el filtro de GRASA después de instalar el filtro de carbón.



GARANTIA

GARANTIA BROAN POR UN AÑO

Broan-NuTone LLC (Broan-NuTone) garantiza al consumidor-comprador de sus productos BROAN que dichos productos no tendrán defectos en los materiales o fabricación, durante un periodo de un año a partir de la fecha de la compra. NO HAY OTRO TIPO DE GARANTIAS QUE INCLUYAN O SE LIMITEN EXCLUSIVAMENTE A GARANTIAS IMPLICITAS O DE CAPACIDAD COMERCIAL O CONVENIENCIA PARA UN PROPOSITO ESPECIFICO.

Durante el periodo de un año, Broan-NuTone, si lo estima conveniente, reparará o reemplazará sin gastos para el usuario cualquier producto o parte de éste que sea defectuosos habiéndose usado correctamente.

ESTA GARANTIA NO CUBRE: ESTARTER DE NEON, NEON, LÁMPARAS HALÓGENAS, LÁMPARAS DE ILUMINACIÓN, FUSIBLE, FILTROS, CONDUCTOS, TAPAS DE TECHO, TAPAS DE PARED Y OTROS ACCESORIOS PARA LOS CONDUCTOS. Tampoco cubre el mantenimiento ni los productos o partes de éstos que hayan sido usados de forma incorrecta, con negligencia, rotos accidentalmente o por una incorrecta mantención ó reparación (distinta de la realizada por Broan-NuTone), montaje incorrecto ó instalación que no se ajuste a las instrucciones de montaje indicadas.

La duración de la garantía se limita al periodo de un año como está especificado en la garantía explícita. Algunos países no permiten un límite en la duración de la garantía implícita; si es así en su caso, esta limitación arriba indicada podría no aplicarse.

LA PRESENTE GARANTIA CUBRIRA EXCLUSIVAMENTE AL COMPRADOR LOS SERVICIOS DESCRITOS ANTERIORMENTE. BROAN-NUTONE NO SE HACE RESPONSABLE DE DANOS PRODUCIDOS DE MANERA ACCIDENTAL O RELACIONADOS CON EL USO INCORRECTO DEL PRODUCTO O SU FUNCIONAMIENTO.

Algunos países no permiten la exclusión o limitación de los daños producidos de manera accidental, si es así en su caso, esta limitación arriba indicada podría no aplicarse. Esta garantía le da derechos legales específicos y podría también disponer de otros derechos que varían de país a país.

Esta garantía supera otras garantías dadas con anterioridad. Para disfrutar de la garantía usted deberá (a) Avisar a la dirección abajo indicada ó bien llamar por teléfono (b) Dar el número de serie del modelo correspondiente o bien una descripción de la parte averiada, (c) Descripción del defecto en el producto o bien en una de sus partes. Para requerir un servicio en garantía debe presentar el justificante con la fecha de la compra.

In USA - Broan®, 926 W. State Street, Hartford, WI 53027 (800-558-1711)

In Canada - Broan®, 550 Lemire Blvd., Drummondville, QC J2C 7W9 (866-737-7770)

www.Broan.com

SERVICE PARTS

MODEL E54000

KEY NO.	PART NO.	DESCRIPTION
9	B08087294	Grease Filter
14	B02300233	Motor Capacitor
16	BE3348527	Electrical Mounting Plate
19	B03295005	Transformer Protection
26	B02300891	Halogen Lamp Bulb
37	B02300804	Heat Sentry
39	B03294033	Control Board Box Cover
45	BW0000019	Blower
48	B02310260	Motor
49	B03295071	Blower Wheel
53	B03204177	Rubber Washer
62	B08091400	Blower Support
63	BE3348620	Support Frame Bracket
86	B08088378	Discharge Collar
110	B03202179	Gasket
113	B02011314	Nameplate
115	BE3334250	Wiring Box
116	BE3334252	Wiring Box Cover
118	BE3402102	Decorative Flue Bottom
119	BE3402103	Decorative Flue Top
124	B08092083	Bottom Support Frame
125	B08092233	Top Support Frame
151	B032920200	Wire Clamp
165	B03294781	Electrical Box
166	B08086668	Control Board
170	BE3344096	Interior Plate
195	BE3404365	Support
208	B02300792	Transformer
228	B08086279	Controls Board
234	B03295072	Controls Box
238	B03295074	Motor Switch
229	B03201014	Pilot
230	B03295075	Controls Box Cover
241	B03295073	Light Switch
274	B03295035	Fuse Box
329	BE3404172	Plate
332	BE3404174	Cover
407	BE3344985	Blower Support Bracket
472	BE3343984	Bracket
474	B02300789	Halogen Lamp Housing
477	B03294776	Transformer Protection Cover
998	B080810768	Hardware Package
*	B06108718	Switch Box Assembly (Includes Keys No. 234, 228, 241, 238, 229, 230)
*	B06002126	Blower Assembly (Includes Keys No. 45, 48, 49, 53)
-	B02300782	Fuse
-	B02300674	Fuse Holder

* Not shown assembled.

LISTE DES PIÈCES DE RECHANGE

MODELE E54000

N°	N° DE PIÈCE	DESCRIPTION
9	B08087294	Filtre à graisses
14	B02300233	Condensateur du moteur
16	BE3348527	Plaque d'installation électrique
19	B03295005	Protection du transformateur
26	B02300891	Ampoule halogène
37	B02300804	Capteur thermique HEAT SENTRY ^{MC}
39	B03294033	Couvercle de boîte de la plaque électronique
45	BW0000019	Ventilateur
48	B02310260	Moteur
49	B03295071	Roue du ventilateur
53	B03204177	Amortisseur en caoutchouc
62	B08091400	Support du ventilateur
63	BE3348620	Bride de la structure du support
86	B08088378	Collier d'évacuation
110	B03202179	Joint
113	B02011314	Logo
115	BE3334250	Boîte de connexion électrique
116	BE3334252	Couvercle de la boîte de connexion électrique
118	BE3402102	Conduit décoratif inférieur
119	BE3402103	Conduit décoratif supérieur
124	B08092083	Structure de support inférieure
125	B08092233	Structure de support supérieure
151	B032920200	Serre-fils
165	B03294781	Boîte de branchement
166	B08086668	Carte électronique
170	BE3344096	Plaque intérieure
195	BE3404365	Support
208	B02300792	Transformateur
228	B08086279	Circuit des commandes
234	B03295072	Boîte des commandes
238	B03295074	Interrupteur du moteur
229	B03201014	Voyant
230	B03295075	Couvercle de la boîte des commandes
241	B03295073	Interrupteur d'éclairage
274	B03295035	Boîtier du fusible
329	BE3404172	Plaque
332	BE3404174	Couvercle
407	BE3344985	Bride du support ventilateur
472	BE3343984	Bride
474	B02300789	Boîtier de la lampe halogène
477	B03294776	Couvercle de protection du transformateur
998	B080810768	Accessoires de quincaillerie
*	B06108718	Ensemble du panneau de commandes (Repères n ^{os} 234, 228, 241, 238, 229 et 230)
*	B06002126	Bloc ventilateur (Repères n ^{os} 45, 48, 49 et 53)
-	B02300782	Fusible
-	B02300674	Porte-fusible

*Illustré démonté

LISTA DE PIEZAS DE RECAMBIO

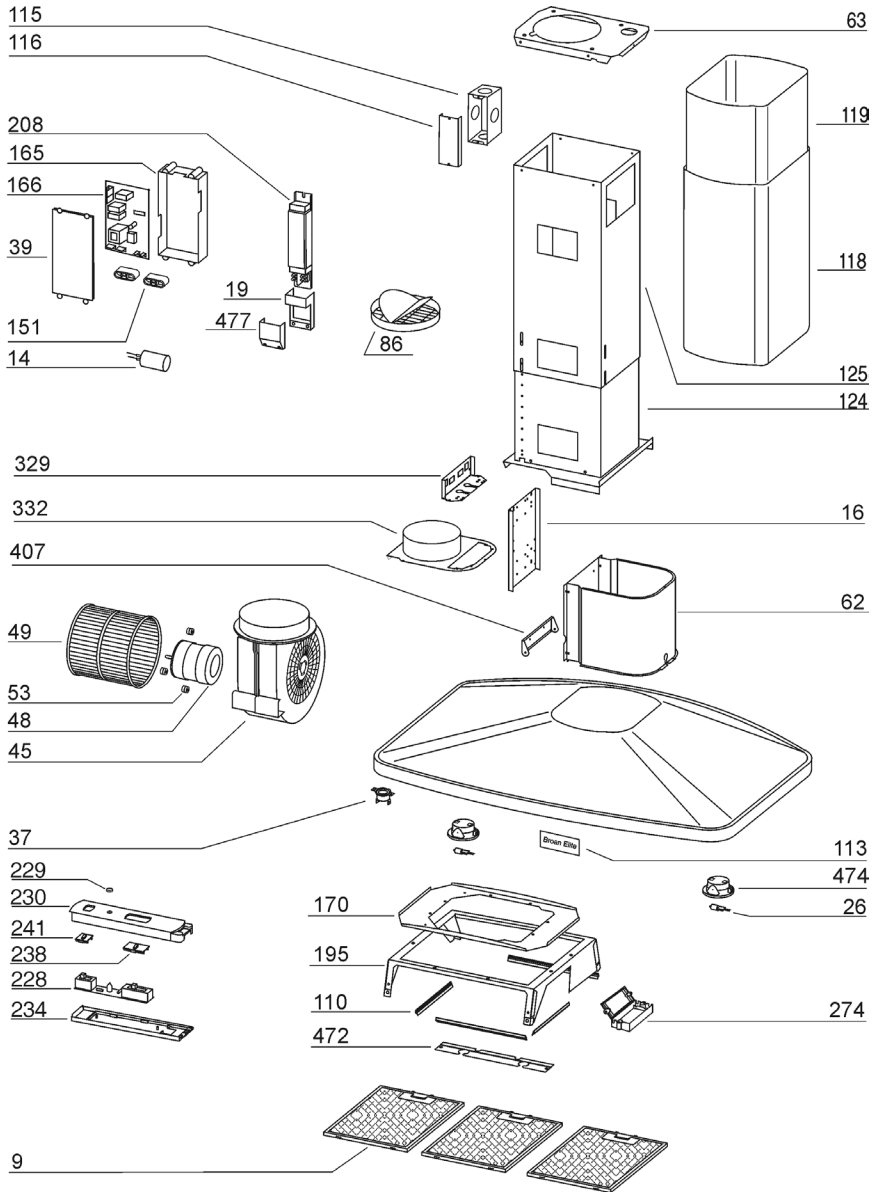
MODELO E54000

CÓD. N.	PIEZA N.	DESCRIPCIÓN
9	B08087294	Filtro antigrasa
14	B02300233	Condensador
16	BE3348527	Placa del sistema electrico
19	B03295005	Protección trasformador
26	B02300891	Lámpara halógena
37	B02300804	Sensor de temperatura
39	B03294033	Tapa de la caja base de instalación eléctrica
45	BW0000019	Convoyador
48	B02310260	Motor
49	B03295071	Manilla del motor
53	B03204177	Almohadilla antivibraciones
62	B08091400	Soporte motor
63	BE3348620	Placa armazón de soporte
86	B08088378	Casquillo
110	B03202179	Guarnición
113	B02011314	Placa marca
115	BE3334250	Caja del cableado
116	BE3334252	Tapa de la caja del cableado
118	BE3402102	Tubo decorativo inferior
119	BE3402103	Tubo decorativo superior
124	B08092083	Armazón de soporte inferior
125	B08092233	Armazón de soporte superior
151	B032920200	Sujeta cabos
165	B03294781	Caja de instalación eléctrica
166	B08086668	Base para instalación eléctrica
170	BE3344096	Placa interior
195	BE3404365	Soporte
208	B02300792	Trasformador
228	B08086279	Base de los mandos
234	B03295072	Caja de los mandos
238	B03295074	Interruptor del aspirador
229	B03201014	Piloto
230	B03295075	Tapa de la caja mandos
241	B03295073	Interruptor da luz
274	B03295035	Caja fusible
329	BE3404172	Placa
332	BE3404174	Tapa
407	BE3344985	Soporte convoyador
472	BE3343984	Abrazadera
474	B02300789	Caja de la lámpara halógena
477	B03294776	Tapa protección trasformador
998	B080810768	Accesorios para el montaje
*	B06108718	Conjunto mandos (Incluye los N. 234, 228, 241, 238, 229, 230)
*	B06002126	Conjunto motor (Incluye los N. 45, 48, 49, 53)
-	B02300782	Fusible
-	B02300674	Portafusible

* Se encuentran por separado.

SERVICE PARTS - LISTE DES PIÈCES DE RECHANGE - LISTA DE PIEZAS DE RECAMBIO

MODEL E54000



04307632/6