



Heat Sentry™ detects excessive heat and adjusts speed to high automatically.

Flexible blower design, choice of ten internal or external blower options offered separately.

Bright halogen lighting floods the cooktop and surrounding area for clear visibility.

Add the ambient light panel when using the optional BEST® liners.

Pro-style baffle filters provide highly effective ventilation.

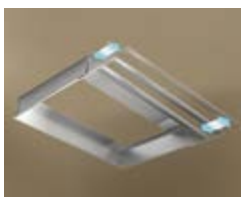
Variable speed slide control with last setting memory.

CFM Reducer Kit for P5 internal blower reduces max CFM to 250-300.

Works with optional Universal Make-Up Air Dampers.

**Model Numbers:**

PIK33                      PIK45



Adjustable liners ensure a perfect fit in custom enclosures. See page 66.



Optional lighting can be added to BEST® liners. See page 66.



**Hood Sizes**

<b>Widths</b>	<b>33-3/4", 45-3/4"</b>
<b>Depth</b>	<b>18-7/16"</b>

**Finish**

Stocked	Brushed Stainless Steel
Special Order	Not Available

**Features**

Lighting Type	Halogen, MR16; GU10-50W
Number of Lamps	2 on 33-3/4"   3 on 45-3/4"
Lighting Levels	1
Lighting Lamps Included	Yes
Control Type	Variable Speed, Slide
Control Features	Heat Sentry™
Remote Control	Optional WCPI
Filter Type	Stainless Steel Baffle Filter
Non-ducted Capability	No

**Hood Blower Options** (Must choose one blower sold separately)

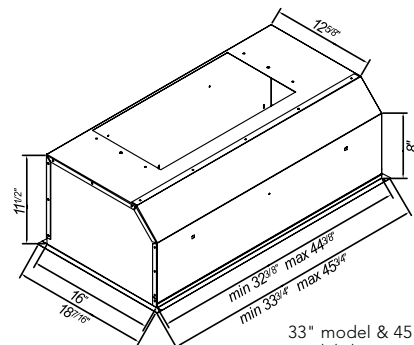
<b>Internal</b>	<b>P5</b>	<b>P8 (for 36" or larger)</b>		
Blower CFM	460	850		
Sones	10.0	10.0		
<b>External In-line</b>	<b>ILB3</b>	<b>ILB6</b>	<b>ILB9</b>	<b>ILB11</b>
Blower CFM	280	600	800	1100
Some levels are typically half of comparable CFM internal blowers.				
<b>External Exterior</b>	<b>EB6</b>	<b>EB9</b>	<b>EB12</b>	<b>EB15</b>
Blower CFM	600	900	1200	1500
Some levels are typically half of comparable CFM internal blowers.				

**Accessories**

Non-ducted Recirculating Kit	Not Available
Liners	Model L33 for 33-3/4" Width Model L45 for 45-3/4" Width
Light Panel for Liners: Optional	ALP36, 42, 48, 54, 60
Universal MUA Damper	MD6TU, MD8TU, MD10TU
CFM Reducer Kit	ARP310, use with P5 blower only

**Installation Requirements**

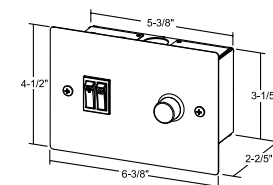
Amps @ 120V	6.0 Max
Electrical	Direct Wire
Duct Size: Internal Blower	3-1/4" x 10" (P5); x 14" (P8)
Duct Size: External Blower	10" (at hood)
Duct Direction	Vertical
Backdraft Damper	Refer to Blower



33" model & 45" model diagram shown.

Installation height above the cooking surface: 24"-30"

For more details see the product specifications sheet found at [www.BESTRangeHoods.com](http://www.BESTRangeHoods.com)



Optional WCPI Wall Control.

**WCPI Wall-mounted Remote Control**

This optional wall-mounted remote control panel provides light and blower control. The panel is finished in brushed stainless steel with black control switches. Not for use with outdoor installations.

