

SHARP®

INSTALLATION INSTRUCTIONS

For Sharp Built-in Kit Models RK-94S27 or RK-94S30

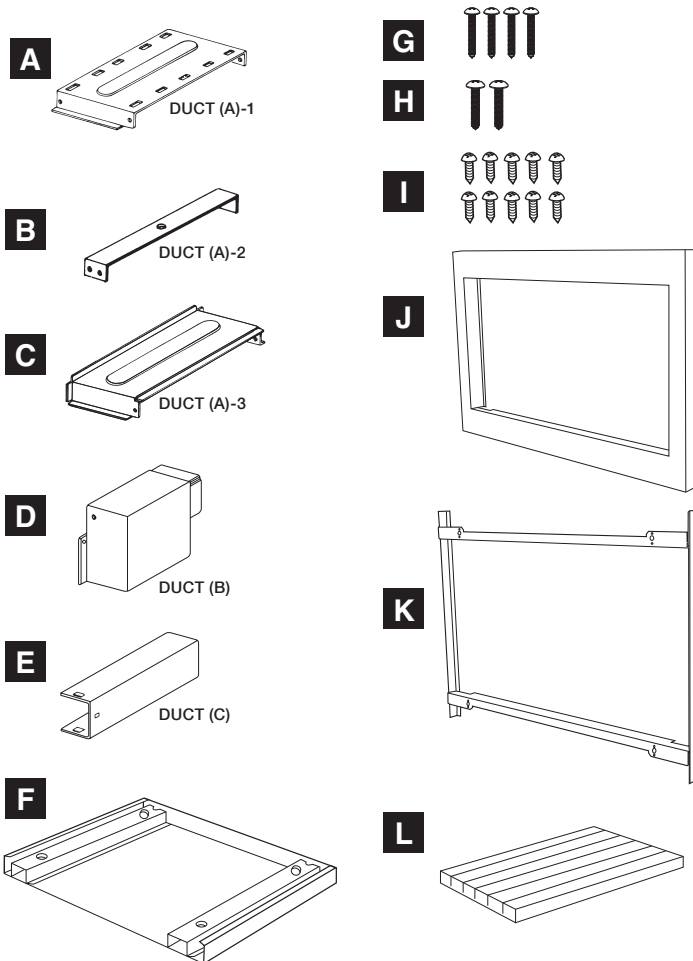
THIS KIT IS UL APPROVED TO ALLOW CERTAIN MICROWAVE OVENS TO BE INSTALLED ABOVE ANY ELECTRIC WALL OVEN. PLEASE SEE THE OPERATION MANUAL REGARDING APPROVED BUILT-IN APPLICATIONS.

IMPORTANT:

This Built-in Kit is designed for and approved only for those Sharp Microwave Ovens specifying Built-In Kit RK-94S27 or RK-94S30. Refer to operation manual for approved models or www.sharppusa.com/trimkits

PLEASE READ THESE INSTRUCTIONS THOROUGHLY BEFORE BEGINNING INSTALLATION!

- Always DISCONNECT THE PLUG of the microwave oven from the electrical outlet before installing the Built-in Kit. Remove the Carousel turntable from the oven cavity.
- Because the kit includes metal parts, due caution should be used in handling and installation to avoid the possibility of injury.



ITEM	PART NAME	QTY
A	DUCT (A)-1 PDUC-0259WRW0	1
B	DUCT (A)-2 PDUC-B127MRP0	1
C	DUCT (A)-3 PDUC-A734WRW0	1
D	DUCT (B) PDUC-0260WRW0	1
E	DUCT (C) PDUC-A274WRW0	1
F	BOTTOM DUCT ASSEMBLY FDUC-B099MRK1A	1
G	M3.9-16MM PAN HEAD TAPPING SCREW, ZINC XOPS740P16000	4
H	WOOD SCREW XTSS740P20000	2
I	CABINET SCREW/ CLEAR XOTS740P12000	10
J	FRONT FRAME RK-94S27: FDECAB229MRK0 RK-94S30: FDECAB227MRK0	1
K	BACK FRAME RK-94S27: FDECAB230MRK0 RK-94S30: FDECAB226MRK0	1
L	CUSHION SHEET PCUSGB059MRP0	1

Check list for parts when unpacking. Note J. Front Frame and K. Back Frame are shipped attached. Snap apart before installation.

STEP 1 CABINET OR WALL OPENING

Provide an opening in the wall or cabinet as indicated in Figure 1. The depth should be a minimum of 20-1/8". If the Depth (E) dimension is greater than 21", the outlet location may be in any area on the rear wall. The floor of the opening should be constructed of plywood strong enough to support the weight of the oven (approximately 100 lbs.) and should be level for proper operation of the oven.

NOTE: While the proper function of the oven does not require that the opening be enclosed (with sides, ceiling and rear partition), this may be required by local code, and it is suggested that the local code be checked for any such requirement.

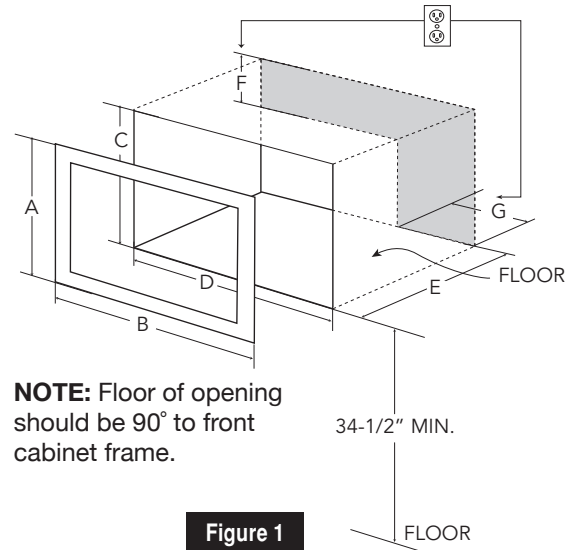
The opening in the wall or cabinet must be within the following dimensions, centered horizontal to the cabinet.

	RK-94S27	RK-94S30
A	20"	20"
B	26-7/8"	29-7/8"
C	18-1/2"	18-1/2"
D	25-1/4"	25-1/4"
E	Min. 20-1/8"	Min. 20-1/8"
F	5"	5"
G	10"	10"

Outlet should **NOT** be in the shaded area as indicated on Figure 1.

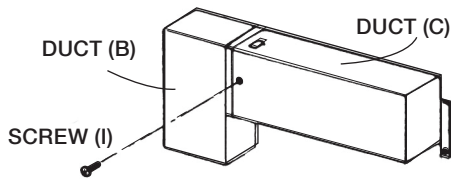
NOTE

- If the dimension of DEPTH (E) is more than 21", the outlet location may be any area on the rear wall.

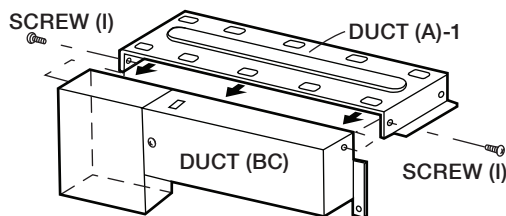


STEP 2 EXHAUST DUCT ASSEMBLY

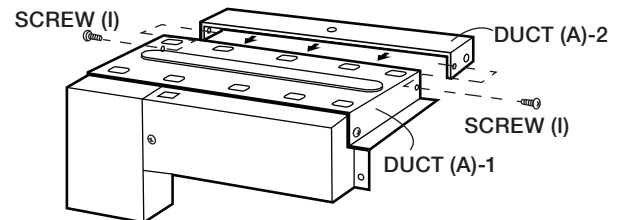
- A. Insert the edge of DUCT (B) into the hold lip of DUCT (C). Secure together by using a SCREW (I) provided in the kit. See Figure 2.



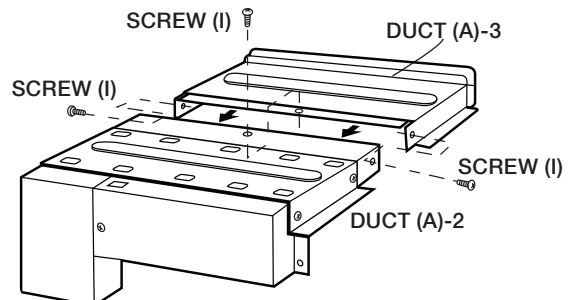
- B. Position DUCT (A)-1 on the top of the oven inserting edge of DUCT (BC) assembly into hole lip of DUCT (A)-1. Tighten two SCREWS (I), securing DUCT (A)-1 to DUCT (BC) assembly. See Figure 3.



- C. Position DUCT (A)-2 on the top of the oven and insert it into the hold lip of DUCT (A)-1. Secure DUCT (A)-2 to DUCT (A)-1 using two SCREWS (I) provided. See Figure 4.



- D. Position DUCT (A)-3 on top of the oven and insert it into DUCT (A)-2. Secure DUCT (A)-3 using three SCREWS (I) provided. See Figure 5.



E. Carefully turn over exhaust assembly. Remove adhesive backing from CUSHION L. The cushion should be applied to the flanges of the duct assembly as indicated by arrows. See Figure 5A.

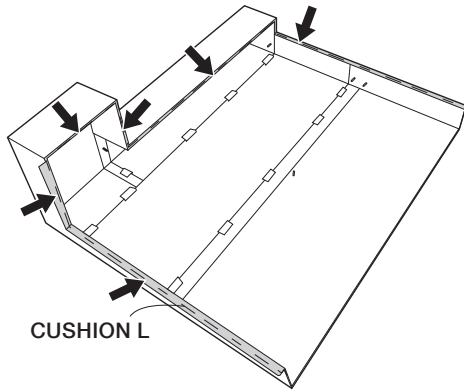


Figure 5A

F. Remove SCREW from the upper right and left corners at the rear of the oven. Place duct assembly on the top of the unit as shown and secure the duct assembly to the oven using the two screws just removed from the oven. See Figure 5B.

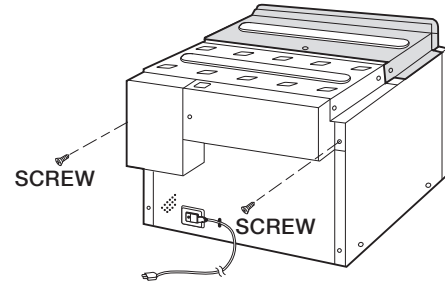


Figure 5B

STEP 3 SURFACE INSTALLATION

A. **BOTTOM DUCT ASSEMBLY:** Place the Bottom duct in the center of the opening so that gap "A" is equal to gap "B". When the Bottom Duct assembly is positioned properly, the front edge of the duct will be flush with the front of the cabinet. Secure with 2 SCREWS (H) See Figure 6.

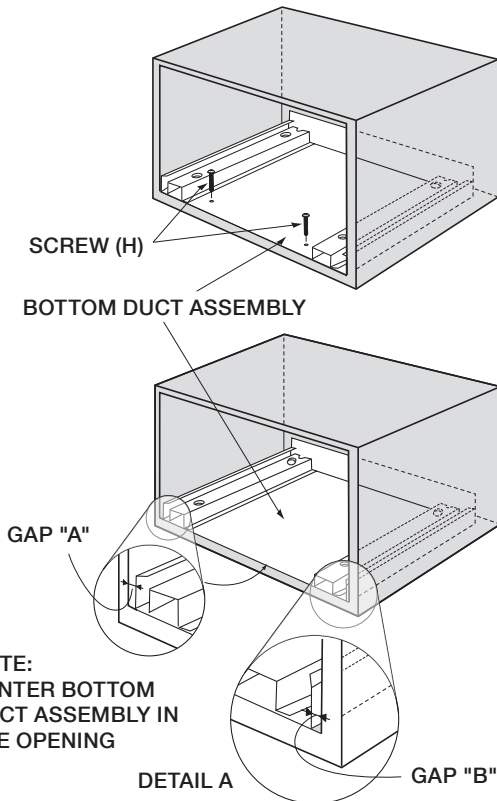


Figure 6

B. **CABINET INSTALLATION:** Place the oven adjacent to the wall or cabinet opening. Plug the power cord into the electrical outlet. Carefully guide the assembled oven into the prepared opening. Slide the oven on the Bottom Duct assembly. See Figure 7.

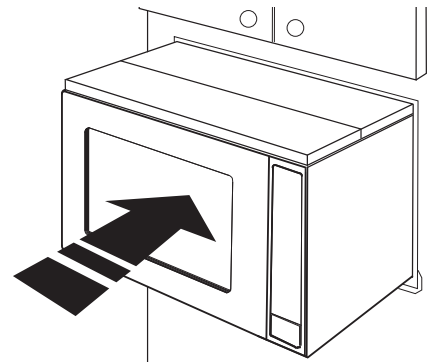


Figure 7

C. CABINET INSTALLATION: Avoid pinching the cord between the oven and the wall. Adjust the position of the oven so that the feet of the oven are fitted into the holes of the Bottom Duct Assembly. See Figure 8.

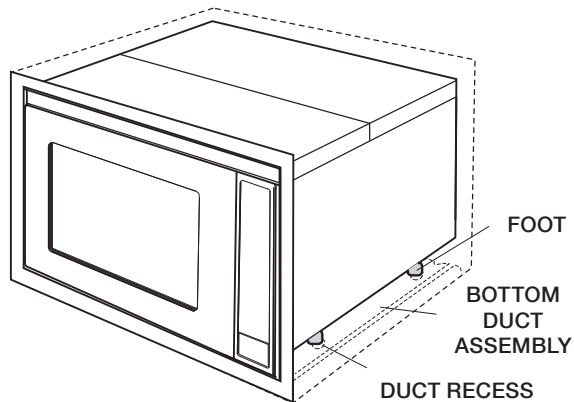


Figure 8

D. BACK FRAME INSTALLATION: Position back frame equal space top to bottom, side to side. Mark for 4 holes, center punch and pre-drill with 1/16" drill bit. Secure frame with 4 SCREWS (G). See Figure 9.

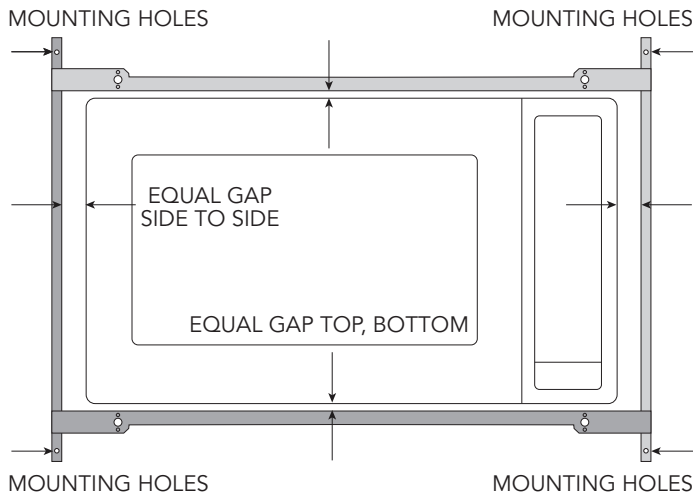


Figure 9

E. FRONT FRAME INSTALLATION: Place the FRONT FRAME onto the BACK FRAME and align ball studs and receivers. Secure the FRONT FRAME to the BACK FRAME by firmly pushing the front frame onto the back frame engaging the four (4) snap attachments. See Figure 10.

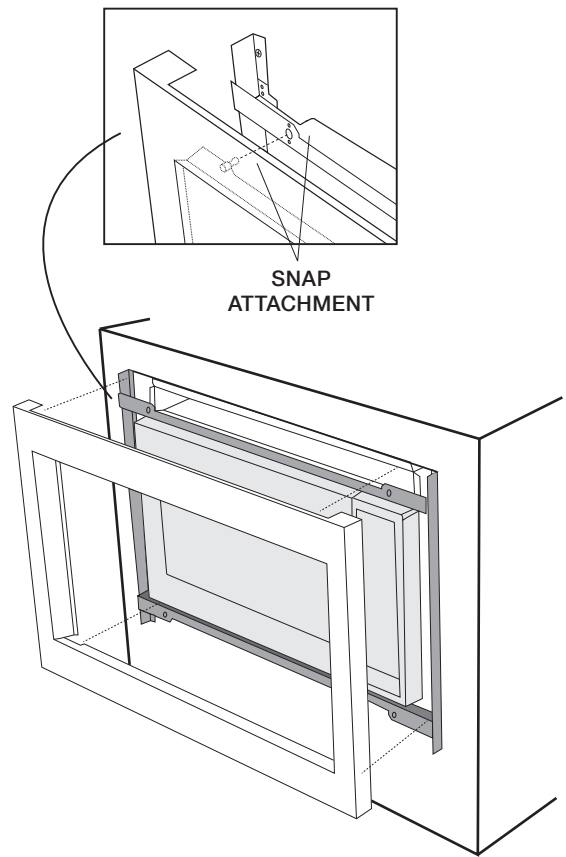


Figure 10

For any other assistance or information about this kit, in USA please call Sharp's Customer Assistance Center at 1-800-BE-SHARP (1-800-237-4277) In Canada, call 905-568-7140

SHARP®

SHARP ELECTRONICS CORPORATION
1 Sharp Plaza Suite 1, Mahwah, New Jersey 07495-1123, U.S.A.

SHARP ELECTRONICS OF CANADA LTD.
335 Britannia Road East Mississauga, Ontario L4Z 1W9, Canada