

VW36G

FEATURES

- Heavy-duty stainless steel
- Powerful blower options
- LED lights with two brightness settings
- Dishwasher-safe filters
- Front-mounted electronic controls
- Telescoping chimney reaches standard ceiling heights
- Rigorously tested in our U.S. manufacturing facilities for decades of use
- Exceptional 24/7 support from our Customer Care team in Madison

ACCESSORIES

- Backsplash
- Flue Extension
- Make-Up Air Damper
- Recirculating Filter
- Recirculating Kit
- Remote Control
- Inline Blowers
- Internal Blowers
- Remote Blowers

Accessories available through an authorized dealer.
For local dealer information, visit subzero-wolf.com/locator.



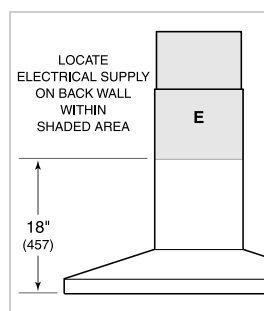
BLOWER OPTIONS

- 300 CFM Internal
- 600 CFM Internal
- 600 CFM Inline
- 600 CFM Remote

PRODUCT SPECIFICATIONS

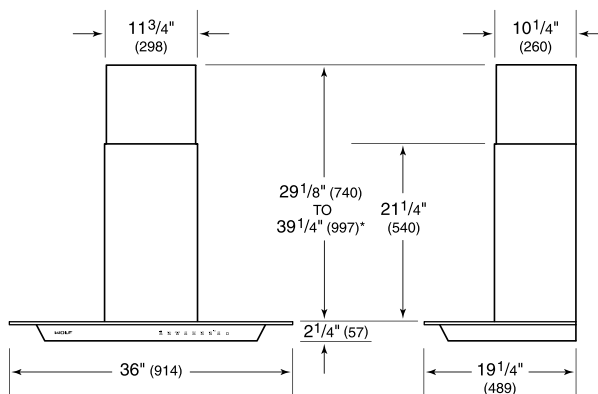
Model	VW36G
Dimensions	36"W x 2 1/4"H x 19 1/4"D
Weight	57 lbs
Electrical Supply	110/120 VAC, 60 Hz
Electrical Service	15 amp dedicated circuit
Discharge Location	Vertical
Discharge Dimensions	6" Round
Bottom of Hood to Countertop	24" to 36"
Receptacle	3-prong grounding-type

ELECTRICAL



NOTE: Dimensions in parenthesis are in millimeters unless otherwise specified

DIMENSIONS



*49 1/8" (1248) to 59 1/4" (1505) with accessory flue extension.