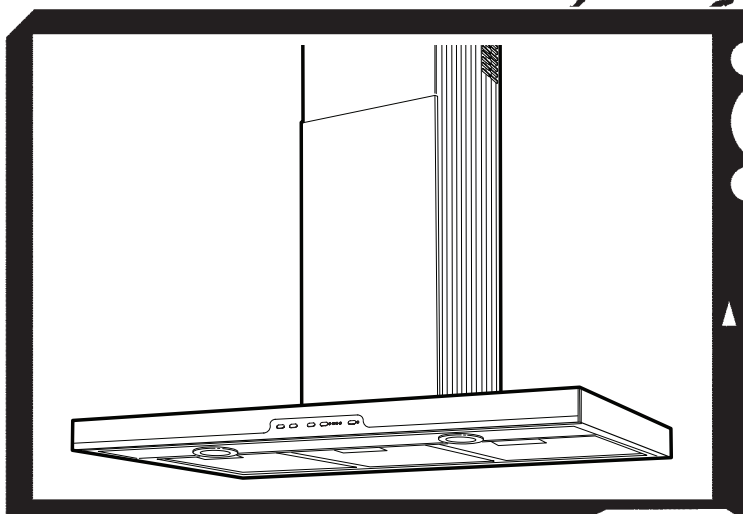


best®



WC34 Series

ENGLISH.....	1
FRANÇAIS.....	24
ESPAÑOL.....	47

In USA - BEST Hartford, Wisconsin

In CANADA - BEST Drummondville, QC, Canada

REGISTER YOUR PRODUCT ONLINE AT : www.BestRangeHoods.com/register
For additional Information visit www.BestRangeHoods.com

READ AND SAVE THESE INSTRUCTIONS

 **INTENDED FOR DOMESTIC COOKING ONLY** 

WARNING

TO REDUCE THE RISK OF FIRE, ELECTRIC SHOCK, OR INJURY TO PERSONS, OBSERVE THE FOLLOWING:

1. Use this unit only in the manner intended by the manufacturer. If you have questions, contact the manufacturer at the address or telephone number listed in the warranty.
2. Before servicing or cleaning unit, switch power off at service panel and lock service panel to prevent power from being switched on accidentally. When the service disconnecting means cannot be locked, securely fasten a prominent warning device, such as a tag, to the service panel.
3. Installation work and electrical wiring must be done by a qualified person(s) in accordance with all applicable codes and standards, including fire-rated construction codes and standards.
4. Sufficient air is needed for proper combustion and exhausting of gases through the flue (chimney) of fuel burning equipment to prevent backdrafting. Follow the heating equipment manufacturer's guidelines and safety standards such as those published by the National Fire Protection Association (NFPA), and the American Society for Heating, Refrigeration and Air Conditioning Engineers (ASHRAE), and the local code authorities.
5. When cutting or drilling into wall or ceiling, do not damage electrical wiring and other hidden utilities.
6. Ducted fans must always be vented to the outdoors.
7. Do not use this unit with any separate solid-state speed control device.
8. To reduce the risk of fire, use only metal ductwork.

GROUNDING INSTRUCTIONS

This appliance must be grounded. In the event of an electrical short circuit, grounding reduces the risk of electrical shock by providing an escape wire for the electric current. This appliance is equipped with a cord having a grounding wire with a grounding plug. The plug must be plugged into an outlet that is properly installed and grounded.

WARNING - Improper grounding can result in a risk of electric shock.

Consult a qualified electrician if the grounding instructions are not completely understood, or if doubt exists as to whether the appliance is properly grounded.

Do not use an extension cord. If the power supply cord is too short, have a qualified electrician install an outlet near the appliance.

WARNING

TO REDUCE THE RISK OF A RANGE TOP GREASE FIRE:

- A. Never leave surface units unattended at high settings. Boilovers cause smoking and greasy spillovers that may ignite. Heat oils slowly on low or medium settings.
- B. Always turn hood ON when cooking at high heat or when flambeing food (i.e. Crepes Suzette, Cherries Jubilee, Peppercorn Beef Flambe’).
- C. Clean ventilating fans frequently. Grease should not be allowed to accumulate on fan or filter.
- D. Use proper pan size. Always use cookware appropriate for the size of the surface element.

TO REDUCE THE RISK OF INJURY TO PERSONS IN THE EVENT OF A RANGE TOP GREASE FIRE, OBSERVE THE FOLLOWING:*

1. SMOTHER FLAMES with a close-fitting lid, cookie sheet, or metal tray, then turn off the burner. BE CAREFUL TO PREVENT BURNS. If the flames do not go out immediately, EVACUATE AND CALL THE FIRE DEPARTMENT.
2. NEVER PICK UP A FLAMING PAN - You may be burned.
3. DO NOT USE WATER, including wet dishcloths or towels - violent steam explosion will result.
4. Use an extinguisher ONLY if:
 - A. You know you have a Class ABC extinguisher and you already know how to operate it.
 - B. The fire is small and contained in the area where it started.
 - C. The fire department is being called.
 - D. You can fight the fire with your back to an exit.

* Based on “Kitchen Fire Safety Tips” published by NFPA.

CAUTION

1. For indoor use only.
2. To reduce risk of fire and to properly exhaust air, be sure to duct air outside. Do not vent exhaust air into spaces within walls or ceilings or into attics, crawl spaces, or garages.
3. Take care when using cleaning agents or detergents.
4. Avoid using food products that produce flames under the Range Hood.
5. For general ventilating use only. Do not use to exhaust hazardous or explosive materials and vapors.
6. To avoid motor bearing damage and noisy and/or unbalanced impellers, keep drywall spray, construction dust, etc. off power unit.
7. Your hood motor has a thermal overload which will automatically shut off the motor if it becomes overheated. The motor will restart when it cools down. If the motor continues to shut off and restart, have the hood serviced.
8. For best capture of cooking impurities, the bottom of the hood should be a minimum of 24” and a maximum of 30” above the cooking surface. See “Install Mounting Bracket” section for mounting restrictions.
9. Two installers are recommended because of the large size and weight of this hood.
10. This product is equipped with a thermostat which may start blower automatically. To reduce the risk of injury and to prevent power from being switched on accidentally, switch power off at service panel and lock or tag service panel.
11. Please read specification label on product for further information and requirements.
12. To reduce the risk of fire and electric shock, install this range hood only with Best Exterior Blower Models EB6, EB9, EB12 or EB15 or Best In-Line Blower Models ILB3, ILB6, ILB9 or ILB11. Other blower cannot be substituted. Blowers sold separately.

OPERATION

Controls

The hood is operated using the (5) push buttons located on the front edge of the hood. Fig. 1. The **Light On/Off** buttons turn the lights on and off.

The **Blower Off / -** button decreases the blower speed each time pressed. Depress and hold the button for 2 seconds to turn the blower off.

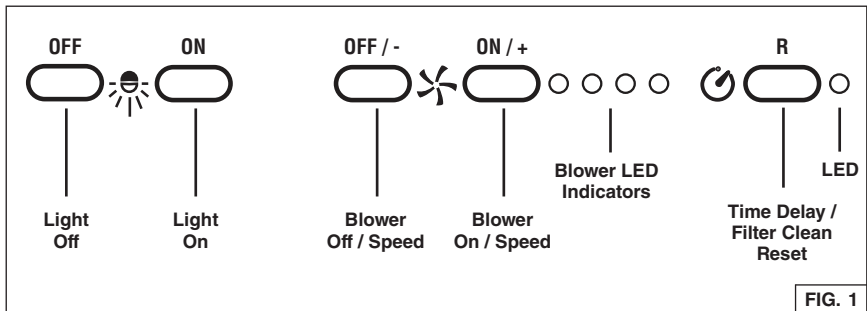
The **Blower On / +** button turns the blower on and increases the blower speed each time pressed. There are four different speed settings: Low, Medium-Low, Medium-High and High.

The **Blower LED Indicators** illuminate to indicate the selected blower speed.

The **Delay** button activates the delay-off feature. When the blower is on and the button is pushed, the blower will continue to operate at the current speed setting for 10-minutes before automatically turning itself off. The **LED** (on the right) flashes during operation.

The **LED** (on the right) is also used as a filter clean reminder. It will flash after 30 hours of operation - indicating the need to clean the filters.

The **Filter Clean Reset** button is used to reset the 30-hour filter timer. To reset the filter clean timer after filters are cleaned or replaced: Press button once while the LED is flashing.



Auto Shut-Off Feature

If the blower and/or the lights are on continuously for 10 hours without any user interaction with the controls, the hood will automatically shut off. Press any control button to re-activate the hood.

HEAT SENTRY™

Your hood is equipped with a HEAT SENTRY™ thermostat. This thermostat is a device that will turn on or speed up the blower if it senses excessive heat above the cooking surface.

- 1) If blower is OFF - it turns blower ON to HIGH speed.
- 2) If blower is ON at a lower speed setting - it turns blower up to HIGH speed.

When the temperature level drops to normal, the blower will return to its original setting.

WARNING

The HEAT SENTRY thermostat can start the blower even if the hood is turned OFF. When this occurs, it is impossible to turn the blower OFF with its switch. If you must stop the blower, do it from the main electrical panel.

LED LAMPS

The hood is provided with LED lamps which require no maintenance.

CLEANING AND MAINTENANCE

Proper maintenance of the Range Hood will assure proper performance of the unit.

Motor

The motor is permanently lubricated and never needs oiling. If the motor bearings make excessive or unusual noise, replace the motor with the exact service motor. The impeller should also be replaced.

Grease Filter

The grease filter should be cleaned frequently. Use a warm detergent solution. Grease filter is dishwasher safe.

Clean all-metal filters in the dishwasher using a non-phosphate detergent. Discoloration of the filter may occur if using phosphate detergents, or as a result of local water conditions - but this will not affect filter performance. This discoloration is not covered by the warranty.

See "INSTALL FILTERS" section for removal and installation instructions.

Non-ducted Recirculation Filter

The non-ducted recirculation filter should be changed every 6 months. Replace more often if your cooking style generates extra grease, such as frying and wok cooking. See "INSTALL FILTERS" section for removal and installation instructions.

Stainless Steel Cleaning

DO:

- Regularly wash with clean cloth or rag soaked with warm water and mild soap or liquid dish detergent.
- Always clean in the direction of original polish lines.
- Always rinse well with clear water (2 or 3 times) after cleaning. Wipe dry completely.
- You may also use a specialized household stainless steel cleaner.

DON'T:

- Use any steel or stainless steel wool or any other scrapers to remove stubborn dirt.
- Use any harsh or abrasive cleansers.
- Allow dirt to accumulate.
- Let plaster dust or any other construction residues reach the hood. During construction/renovation, cover the range hood to make sure no dust sticks to the stainless steel surface.

Avoid: When choosing a detergent

- Any cleaners that contain bleach will attack stainless steel
- Any products containing: chloride, fluoride, iodide, bromide will deteriorate surfaces rapidly.
- Any combustible products used for cleaning such as acetone, alcohol, ether, benzol, etc., are highly explosive and should never be used close to a range.

PREPARE THE HOOD

Unpack hood and check contents.

You should receive:

- 1 - Hood
- 1 - Decorative Flue Assembly
- 1 - Parts Bag containing:
 - 2 - Mounting Bracket
 - 1 - Damper Kit
 - 1 - Flue Mounting Bracket Assembly
 - 8 - Mounting Screws (4.8 x 38mm Pan Head)
 - 4 - Mounting Screws (3.9 x 9.5mm Pan Head)
 - 2 - Mounting Screws (3.9 x 6mm Flat Head)
 - 8 - Drywall Anchors
 - 2 - Lock Washers
- 1 - Installation Instructions

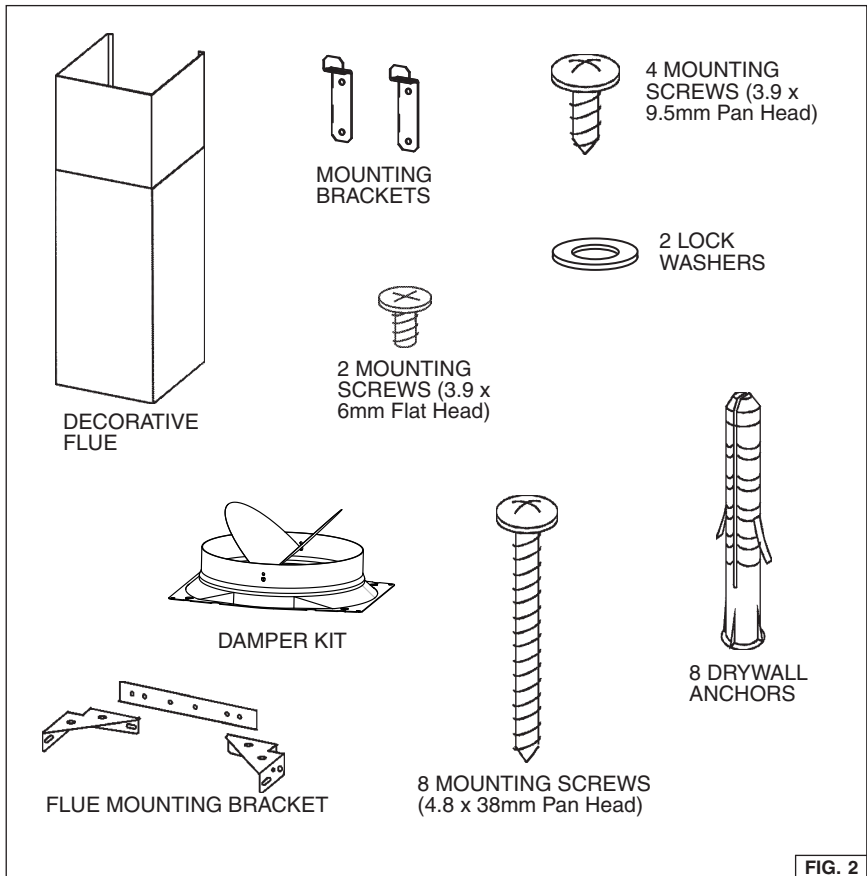


FIG. 2

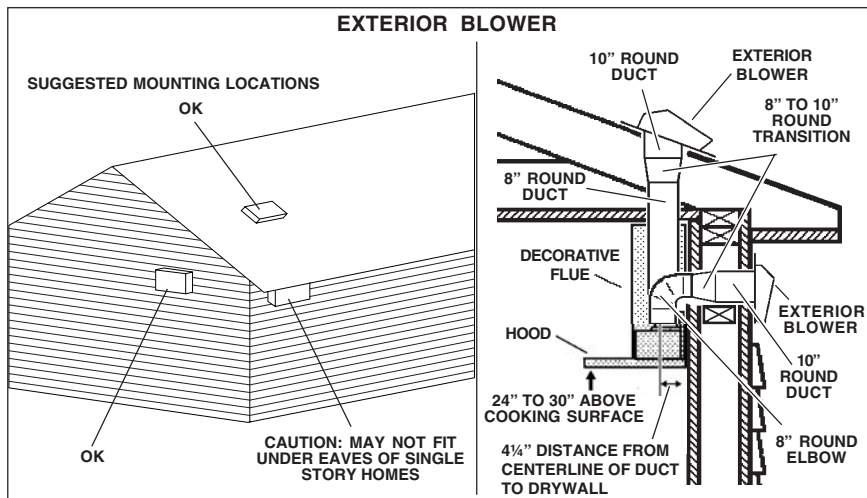
EXTERIOR OR IN-LINE BLOWER SELECTION (WC34E)

CAUTION: Either an exterior blower or in-line blower may be used with this hood. The hood must be installed with blower models EB6, EB9, EB12, EB15, ILB3, ILB6, ILB9, or ILB11 only. Other Blowers cannot be substituted (Blowers sold separately).

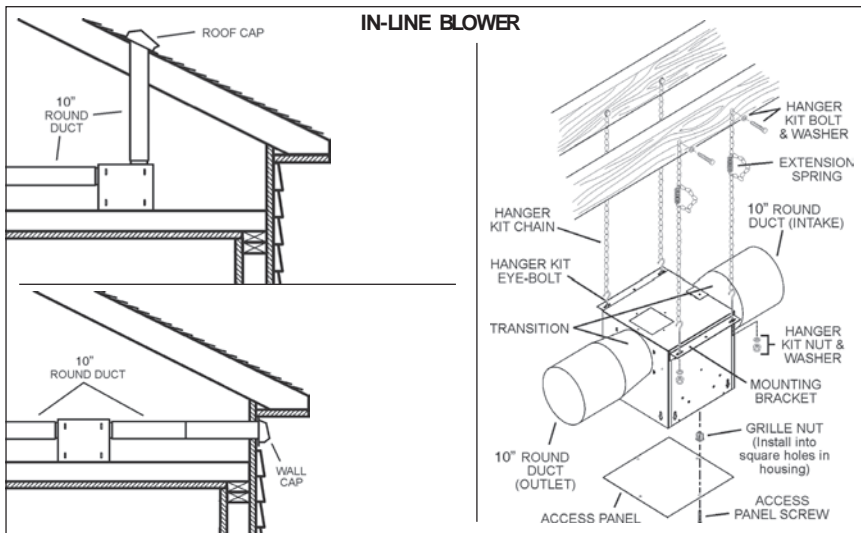
INSTALL THE DUCTWORK

NOTE: To reduce the risk of fire, use only metal ductwork.

1. Choose the location where the Exterior or In-Line Blower will be mounted. See illustrations below for mounting location suggestions and restrictions.
2. A straight, short duct run will allow the hood to perform most efficiently.
3. Long duct runs, elbows and transitions will reduce the performance of the hood. Use as few of them as possible. Larger ducting may be required for best performance with long duct runs.
4. After the Exterior or In-Line Blower has been installed, connect round metal ductwork and work back towards the hood location. Use duct tape to seal joints between ductwork sections.
5. An 8" round to 10" round transition (Model 414) is required. For best air performance, install the transition as close to the range hood as possible.



IN-LINE BLOWER

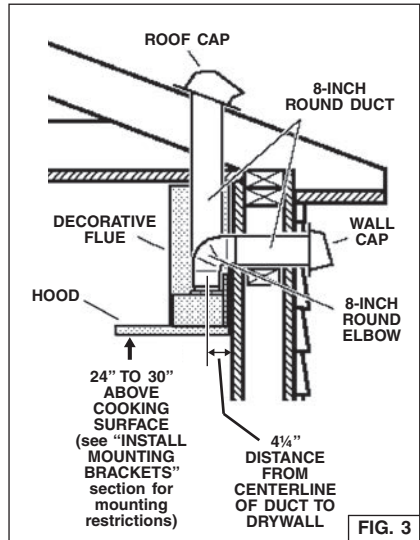


INSTALL THE DUCTWORK

DUCTED HOODS ONLY

CAUTION: To reduce the risk of fire, use only metal ductwork.

1. Decide where the ductwork will run between the hood and the outside. Fig. 3.
2. A straight, short duct run will allow the hood to perform most efficiently.
3. Long duct runs, elbows, and transitions will reduce the performance of the hood. Use as few of them as possible. Larger ducting may be required for best performance with longer duct runs.
4. Install a roof or wall cap. Connect round metal ductwork to cap and work back towards hood location. Use duct tape to seal the joints between ductwork sections.

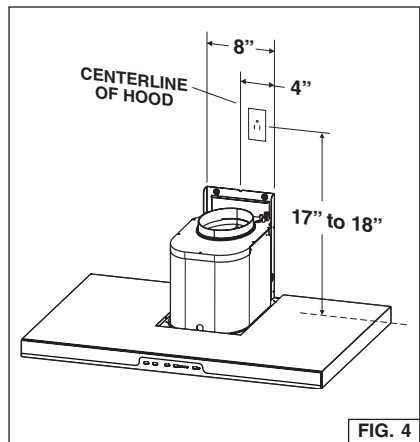


INSTALL ELECTRICAL

DUCTED and NON-DUCTED HOODS

⚠ WARNING : Electrical wiring must be done by a qualified person(s) in accordance with all applicable codes and standards. This range hood must be properly grounded. Turn off electrical power at service entrance before wiring.

1. Plan where the hood will be located above the cook top. Refer to the "INSTALL MOUNTING BRACKET" section for hood mounting height options.
2. Install a standard 2" x 4" wall outlet box and 3-blade 125 volt, 15 Amp grounded receptacle. Fig. 4.
3. Mount the center of the wall outlet 17" to 18" above the bottom of the hood.
4. Locate the box and the receptacle within boundary shown and off center of the ductwork (to allow for power cord plug and flue clearance).



EXTERNAL BLOWER ELECTRICAL CONNECTIONS

Blower connection at hood: (Fig. 5)

1. Run 2-wire plus ground power cable from the Exterior or In-Line Blower to the hood's wiring box marked "motor connection".
2. Remove the cover from the wiring box and remove one knockout.
3. Feed 6" of cable through the knockout opening and secure the cable to the wiring box with an appropriate connector.
4. Make electrical connections at the hood. Connect white-to-white, **red-to-black** and green-to-ground.
5. Replace the wiring box cover and screws. make sure wires are not pinched between the cover and box.

Exterior or In-line blower connection:

1. Make electrical connections at the exterior or in-line blower (see instructions provided with the exterior or in-line blower).

Power connection at hood:

1. Plug the power cord into the electrical wall receptacle.

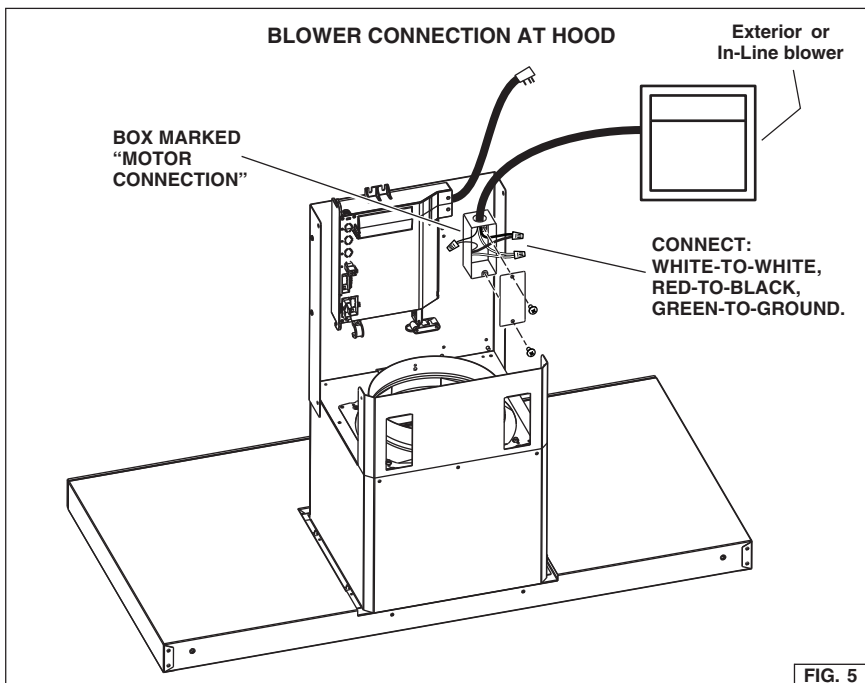
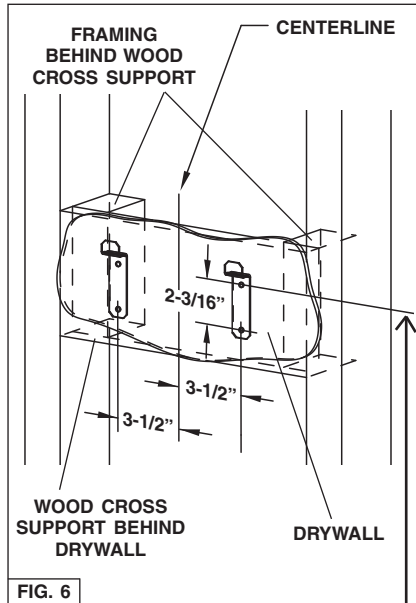


FIG. 5

INSTALL MOUNTING BRACKETS

DUCTED and NON-DUCTED HOODS

- Construct wood wall **framing** that is **flush** with interior surface of wall studs. Fig. 6. Make sure:
 - the framing is centered over installation location.
 - the height of the framing will allow the **mounting brackets** to be secured to the framing within the dimensions shown.
- After wall surface is finished**, secure the mounting brackets to framing with (4) 4.8 x 38 mm mounting screws. See chart below for mounting bracket location. **Do not use drywall anchors.**



CEILING HEIGHT	DUCT METHOD	HOOD DISTANCE ABOVE 36" HIGH COOK TOP (see note below)						
		24"	25"	26"	27"	28"	29"	30"
		MOUNTING BRACKET CENTER HOLE LOCATION ABOVE 36" HIGH COOK TOP						
8 FEET	DUCTED	38"	39"	40"	41"	42"	43"	44"
	NON-DUCTED	38"	39"	40"	41"	42"	43"	44"
9 FEET	DUCTED	38" *	39" *	40" *	41"	42"	43"	44"
	NON-DUCTED	38"	39"	40"	41"	42"	43"	44"
10 FEET (see note b.)	DUCTED	38" *	39" *	40"	41"	42"	43"	44"
	NON-DUCTED	38"	39"	40"	41"	42"	43"	44"
11 FEET (see notes a. & b.)	DUCTED					42"	43"	44"
	NON-DUCTED					42"	43"	44"

* Possible installation height - however, Non-Duct Filter Slots will be exposed.

Notes:

- Minimum hood distance above cook top must not be less than 24". A maximum of 30" above cook top is highly recommended for best capture of cooking impurities. Distances over 30" are at the installer and user's discretion; and if ceiling height and flue length permit.
- Requires optional 10' flue extension, ducted model AEWC345IQSB or non-ducted model AEWC345IQSBN.

INSTALL FLUE MOUNTING BRACKET

DUCTED AND NON-DUCTED HOODS

1. Assemble the flue mounting bracket, adjusting outside width as shown. Fig. 7.
2. **Carefully** center the mounting bracket directly over the range hood location.
3. Secure the bracket assembly to the ceiling using (2) 4.8 x 38 mm mounting screws and drywall anchors. Fig. 8. Make sure the bracket is pushed into the corner, tight against the wall and centered over the hood.

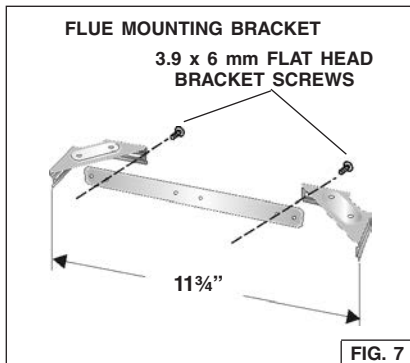


FIG. 7

INSTALL THE HOOD

Note: Remove the plastic protective film from all exterior surfaces, decorative flues and filters, prior to final installation. Remove filters. (Refer to the "Install Filters" Section.)

DUCTED and NON-DUCTED INSTALLATION

1. Remove the electrical system box from chimney frame by removing (2) 3.9 x 9.5 mm screws. Fig. 9.
2. Attach electrical system box to frame using (2) 3.9 x 9.5 mm screws removed in Step 1 and (2) 3.9 x 9.5 mm screws and (2) lock washers from hardware bag.
3. Install hood onto the wall mounting brackets. Fig. 10. Adjust leveling screws on mounting brackets to level hood with floor.
3. Mark and install (2) additional screws as shown. Use drywall anchors only if necessary.

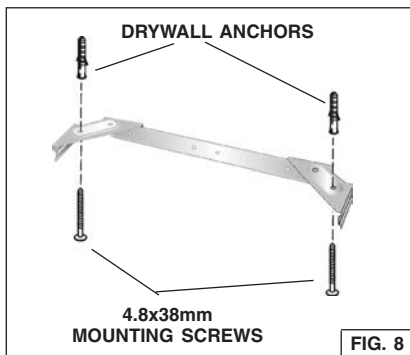


FIG. 8

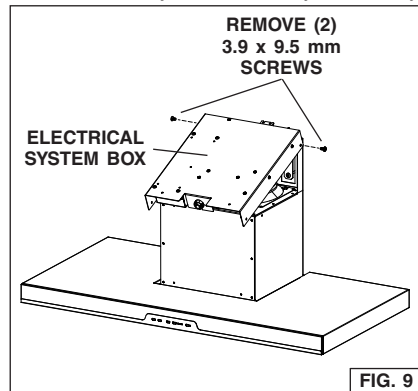


FIG. 9

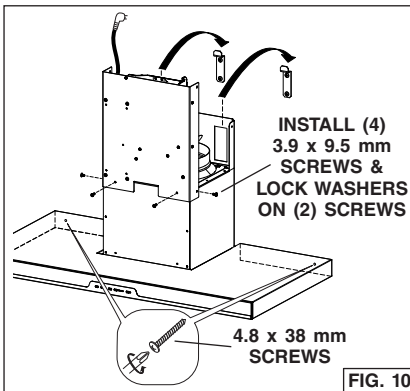
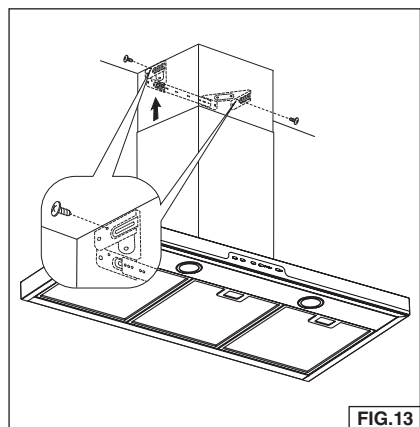
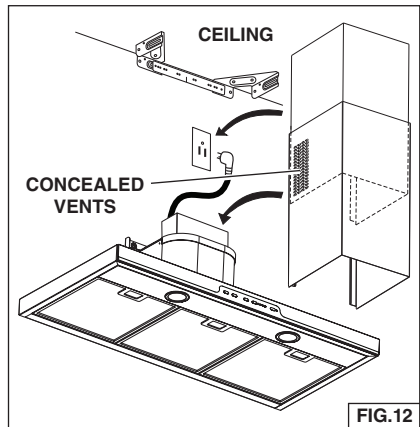
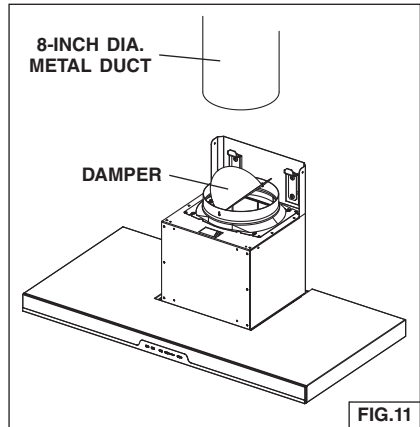


FIG. 10

DUCTED INSTALLATION ONLY

Note: Rooms with 10-foot ceiling require flue extension model AEW345IQSB, available from your local dealer. Discard the upper flue supplied with the range hood and replace it with the longer flue extension.

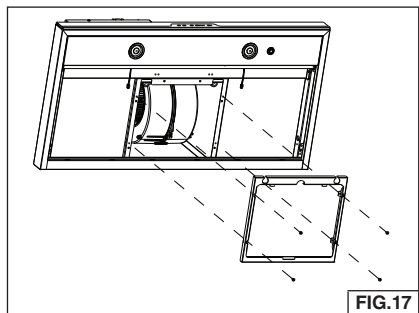
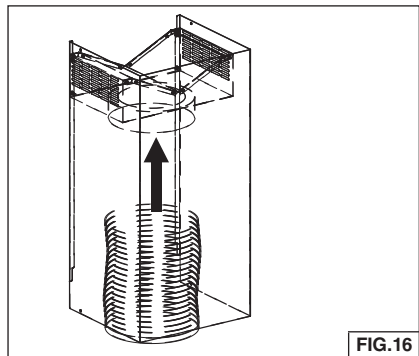
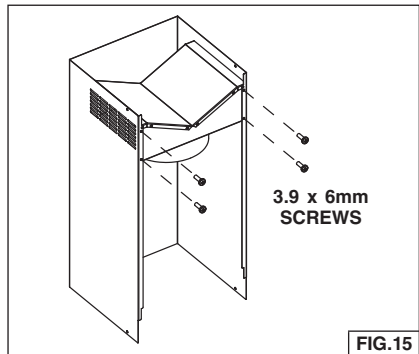
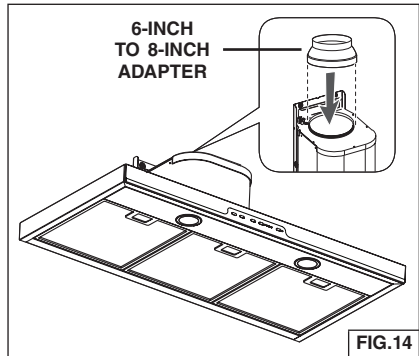
1. Remove protective tape from blower outlet before installing damper to hood with (4) screws supplied and tape joint with aluminum duct tape. Fig. 11.
2. Run 8-inch diameter metal ductwork to the outside location.
3. Install an appropriate wall or roof cap with damper to exhaust the air to the outside.
4. Tape all duct joints with aluminum duct tape.
5. Plug power cord into wall outlet.
6. Install upper and lower decorative flues onto the range hood. Fig. 12.
 - Vents are concealed on 8-foot ceilings.
 - Vents are exposed on 9-foot ceilings.
7. Secure upper flue to flue mounting bracket with (2) 3.9 x 6 mm screws. Fig. 13.



NON-DUCTED INSTALLATION ONLY

Note:

- a. Purchase Model ANKWC345 Non-ducted Recirculation Kit from your local dealer.
 - b. Rooms with 10-foot ceiling require flue extension model AEWC345IQSB, available from your local dealer. Discard the upper flue supplied with the range hood and replace it with the longer flue extension.
1. Remove protective tape from blower outlet before installing damper to hood with (4) screws supplied and tape joint with aluminum duct tape. See Fig. 11.
 2. Attach the 6"-to-8" adapter to blower discharge and tape joint with aluminum duct tape. Fig. 14.
 3. Install the plenum to the upper decorative flue using (4) 3.4 x 15 mm screws provided as shown. Fig. 15.
 4. Attach 6-inch expandable ducting to the plenum and tape joint with aluminum duct tape. Fig. 16.
 5. Attach non-duct filter frame using (4) 3.9 x 6 mm screws. Fig. 17.



6. Temporarily secure the upper and lower flue together with duct tape as shown. Fig. 18.
7. Lift the flue into position. Secure upper flue to the flue mounting bracket with (2) 3.9 x 6 mm screws. Fig. 19.
8. Stretch expandable duct, attach it to the 6"-to-8" adapter and tape duct joints. Fig. 20.
9. Plug power cord into wall outlet.
10. Remove tape from flues and lower into position on the hood. Fig. 21.

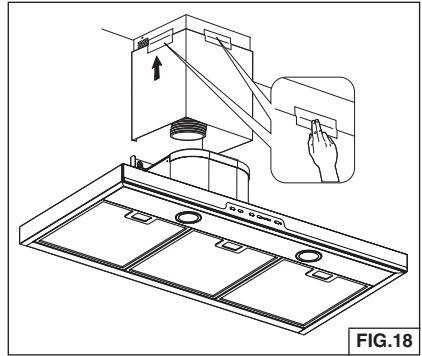


FIG.18

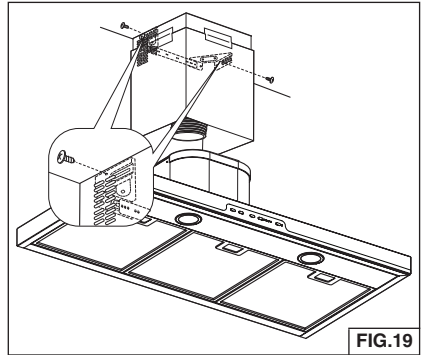


FIG.19

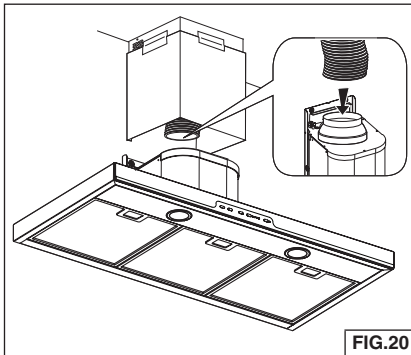


FIG.20

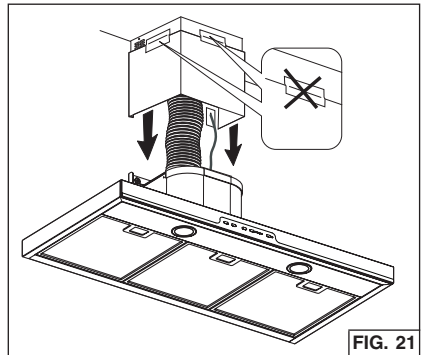


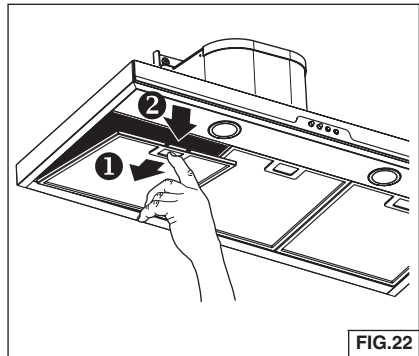
FIG. 21

INSTALL FILTERS

DUCTED AND NON-DUCTED HOODS

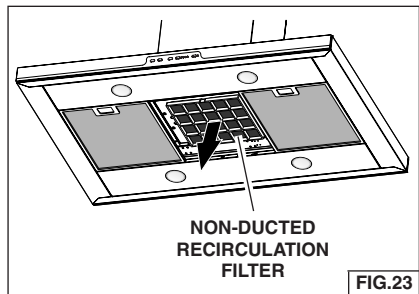
1. To remove the GREASE filter, push in latch tab to disengage the filter from the hood. Tilt the filter downward and remove. Fig. 22.
2. To install the GREASE filter, align rear filter tabs with slots in the hood. Push latch tab in, push filter into position and release. Make sure the filter is securely engaged after installation. Fig. 22.

NOTE: Prior to use, remove protective film from the filter frame.



NON-DUCTED HOODS ONLY

1. To remove the CHARCOAL filter, grip and push filter tab toward rear of hood. Pull the filter down to disengage the rear filter tabs. Fig. 23.
2. To install the CHARCOAL filter, align filter in rectangular opening. Push filter against springs in rear of hood and press into place. Make sure the filter is securely engaged after assembly.
3. Install GREASE filter after charcoal filter is installed.
4. The charcoal filter replacement model is AFCWC345.



CALIBRATE IQ BLOWER SYSTEM™ (WC34IQ)

INTERNAL BLOWER DUCTED UNITS ONLY

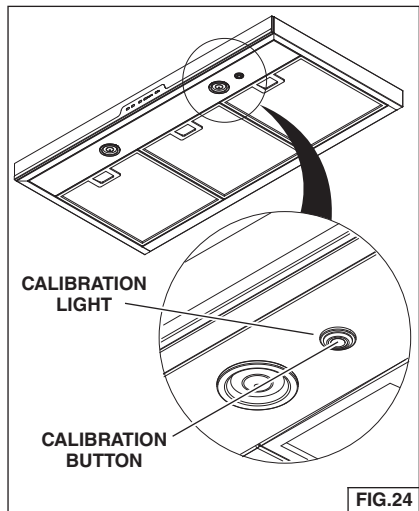
After the hood is installed and wired, engage the calibration process (our Guaranteed Performance System Technology to ensure full-rated airflow is being delivered). Prior to calibration, ensure that all filters, light bulbs and duct system are installed.

CALIBRATION PROCESS Fig. 24.

Hold the calibration button for 3 seconds; calibration button will light up and stay on for up to 13 minutes. The blower will start and begin the calibration process. When calibration is complete, one of two things will occur:

1. The blower turns off and calibration button light stays on = Successful calibration. Press the button to turn off the LED. Note: The LED will also turn off if you select any blower speed on the control.
2. The blower turns off and calibration button light blinks continuously = Too much restriction in the ductwork is preventing the IQ Blower System™ from achieving the rated airflow. The blower is automatically set to maximum intensity.

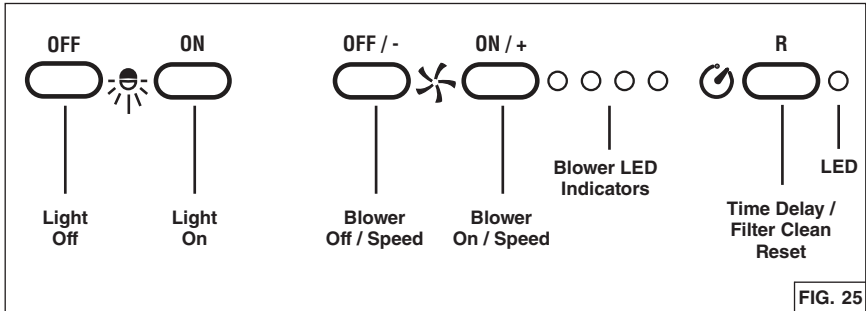
NOTE: Common items that cause restrictions: restricted damper flap (backdraft damper, wall cap, roof cap), too many elbows, duct size less than 80% of hood outlet, poor transition, use of flex ducting and/or crushed ducting.



Three options are available if your hood system has too much restriction:

1. Accept airflow as is.
 - a. Press the calibration button to accept airflow as is. The IQ Blower System™ is now configured to the highest possible performance. The blinking calibration light goes out. Note: The LED will also turn off if you select any blower speed on the control.
2. Correct duct restriction, clear the original calibration data, and repeat the calibration process.
 - a. Correct the duct restriction.
 - b. Clear the original calibration data by holding calibration button for 10 seconds. The light will blink 3 times to confirm and the blower configuration will go back to default settings.
 - c. Repeat calibration process from the beginning.
3. Clear calibration data to reset hood to default factory setting and achieve standard high pressure blower performance.
 - a. Clear calibration data and reset hood to factory default setting by holding calibration button for 10 seconds. The light will blink 3 times to confirm and the blower configuration will go back to default settings.

EXTERNAL BLOWER PROGRAMMING MODE PROCEDURE (WC34E)



The range hood is designed to work with several different blower models. Before using, the control must first be programmed to your blower model, in order to achieve proper operating speeds.

From the chart below:

1. Find the SETUP number that corresponds to the blower model that is installed with your range hood.
2. The control is factory-preset to SETUP 3. If your blower model is listed under SETUP 3, no programming is required and the range hood is ready to use.

	SETUP 1	SETUP 2	SETUP 3 (default)
BLOWER MODEL NUMBER	EB6 ILB3 ILB6	EB12 EB15 ILB9	EB9 ILB11

3. To program blower models listed under SETUP 1 and 2:
 - A) Power must be supplied to the hood. The blower and lights must be turned off.
 - B) Press and hold **OFF** and **ON/+** for 5 seconds. The **Blower LED Indicators** will flash 3 times. Then only the **LED** will stay lit. After 1 second, the **Blower LED Indicators** will show the current setting as follows:
 - ○ ○ ○ SETUP 1
 - ● ● ○ SETUP 2
 - ○ ○ ● SETUP 3
 - C) To select the proper SETUP: Press **OFF/-** or **ON/+** to select the desired SETUP.
 - D) Once the proper SETUP is found: Press **ON** to memorize the setting, or wait 15 seconds and the program will automatically exit and store the SETUP.
 - E) The range hood is now ready to use.

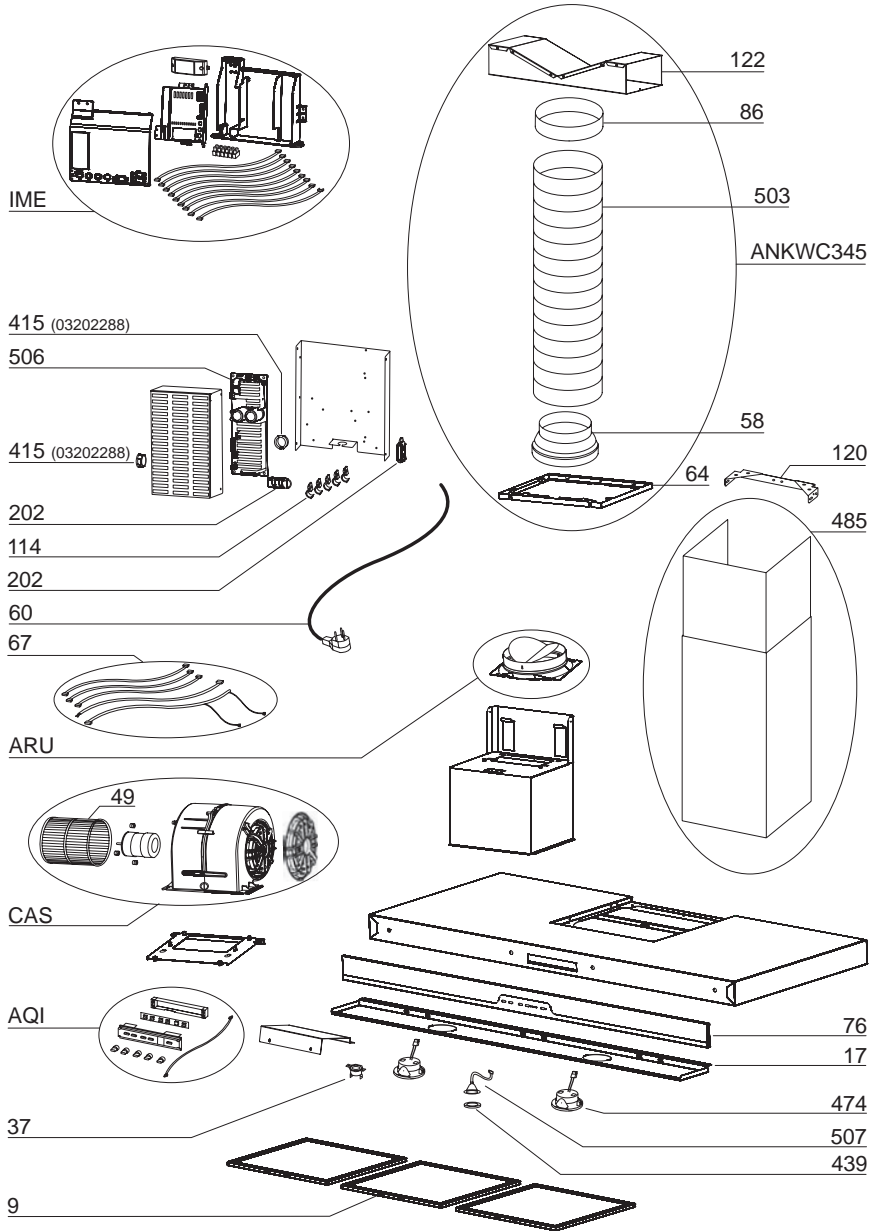
SERVICE PARTS

WC34IQ SERIES

KEY NO.	DESCRIPTION	PART NO.
76	TOP GLASS	003102748
CAS	BLOWER ASSEMBLY	06002259
49	FAN (CLOCK WISE)	03295071
IME	ELECTRICAL INSTALLATION ASSEMBLY	06145222
114	WIRE CLAMP	032904990
506	BLDC DRIVER	97019431
67	WIRES	06102592
202	REFLECTOR STOP	03292290
415	FAIRLEAD	03202288
60	FEEDER CABLE	02300249
507	ASSEMBLY CALIBRATION BUTTON	06102584
439	STOP RING	02320034
37	KNOB	02300804
474	LED LAMP	08093413
AQI	SWITCH BOX ASSEMBLY	06102594
17	LIGHT DIFFUSER SUPPORT	E3351891
9	GREASE FILTER	08087825
ARU	CONNECTION AIR OUTLET SET	080810849
485	TELESCOPIC DUCT KIT	08016368
120	TELESCOPIC DUCT UPPER BRACKET	08091851
ANKWC345	NON-DUCT FILTER KIT	08999175
58	8" TO 6" REDUCER	03294170
503	6" EXPANDABLE DUCT	02011557
86	6" ADAPTER RING	032292300
122	NON-DUCT PLENUM	08093478
64	NON-DUCT FILTER FRAME	08093447
	NON-DUCT FILTER	08999176
	HARDWARE BAG	080810993

SERVICE PARTS

WC341Q SERIES



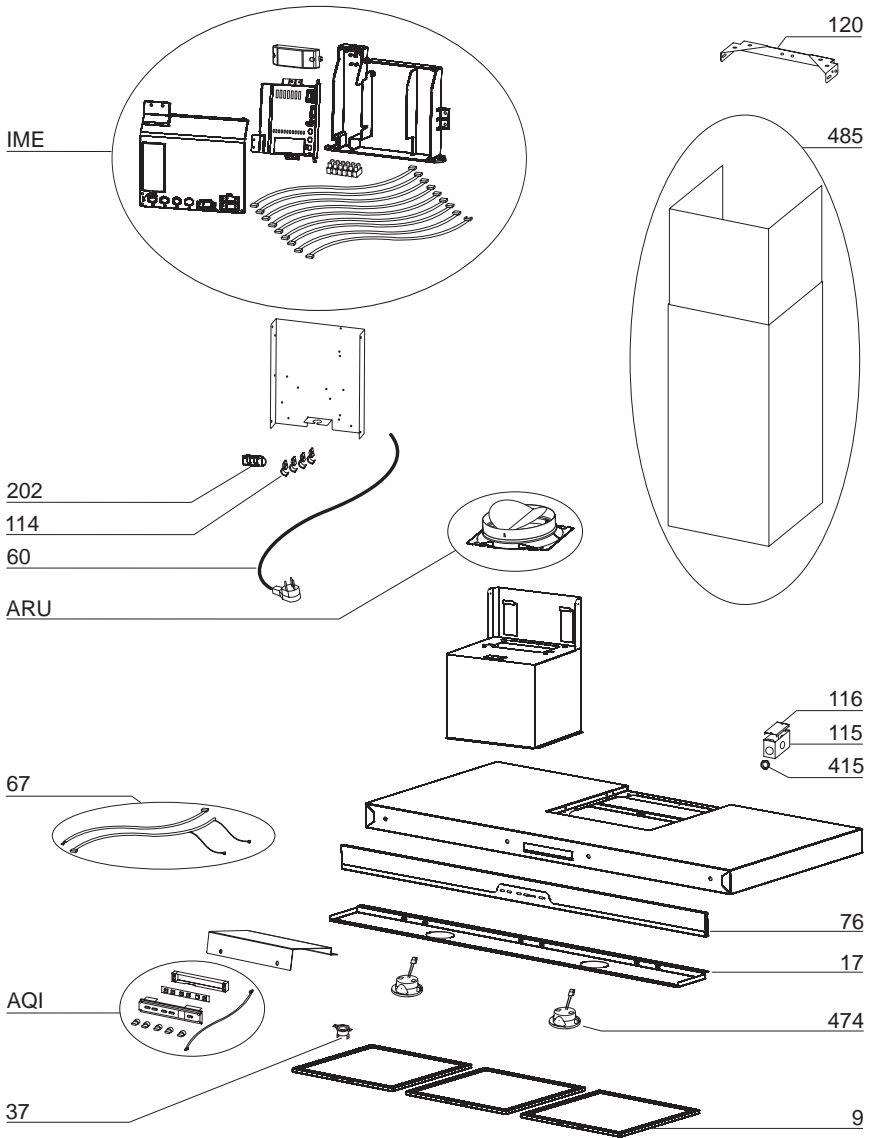
SERVICE PARTS

WC34E SERIES

KEY NO.	DESCRIPTION	PART NO.
76	TOP GLASS	003102748
IME	ELECTRICAL INSTALLATION ASSEMBLY	06145223
166	ELECTRICAL PRINTED CIRCUIT BOARD	08080877
145	FEEDER CABLE CONNECTION BOX	032920170
147	JUNCTION CLAMP	R2300132
146	FEEDER CABLE CONNECTION BOX COVER	03292180
151	ELECTRICAL BOX WIRES STOP	032920200
114	WIRE CLAMP	032904990
67	WIRES	06102593
60	FEEDER CABLE	02300249
37	KNOB	02300804
114	RUNNER WIRES	032904990
474	LED LAMP	08093413
AQI	SWITCH BOX ASSEMBLY	06102595
17	LIGHT DIFFUSER SUPPORT	E3351891
9	GREASE FILTER	08087825
ARU	CONNECTION AIR OUTLET SET	080810849
485	TELESCOPIC DUCT KIT	08016368
120	TELESCOPIC DUCT UPPER BRACKET	08091851
	HARDWARE BAG	08010993

SERVICE PARTS

WC34E SERIES



WARRANTY

ONE YEAR LIMITED WARRANTY FOR BEST PRODUCTS

Broan-NuTone LLC (Broan-NuTone) warrants to the original consumer purchaser of Best products that such products will be free from defects in materials or workmanship for a period of one year from the date of original purchase. THERE ARE NO OTHER WARRANTIES, EXPRESS OR IMPLIED, INCLUDING, BUT NOT LIMITED TO, IMPLIED WARRANTIES OR MERCHANTABILITY OR FITNESS FOR A PARTICULAR PURPOSE.

During this one-year period, Broan-NuTone will, at its option, repair or replace, without charge, any product or part which is found to be defective under normal use and service.

THIS WARRANTY DOES NOT EXTEND TO FLUORESCENT LAMP STARTERS, TUBES, HALOGEN AND INCANDESCENT BULBS, FUSE, FILTERS, DUCTS, ROOF CAPS, WALL CAPS AND OTHER ACCESSORIES FOR DUCTING.

This warranty does not cover (a) normal maintenance and service or (b) any products or parts which have been subject to misuse, negligence, accident, improper maintenance or repair (other than by Broan-NuTone), faulty installation or installation contrary to recommended installation instructions.

The duration of any implied warranty is limited to the one-year period as specified for the express warranty. Some states do not allow limitation on how long an implied warranty lasts, so the above limitation may not apply to you.

BROAN-NUTONE'S OBLIGATION TO REPAIR OR REPLACE, AT BROAN-NUTONE'S OPTION, SHALL BE THE PURCHASER'S SOLE AND EXCLUSIVE REMEDY UNDER THIS WARRANTY. BROAN-NUTONE SHALL NOT BE LIABLE FOR INCIDENTAL, CONSEQUENTIAL OR SPECIAL DAMAGES ARISING OUT OF OR IN CONNECTION WITH PRODUCT USE OR PERFORMANCE. Some states do not allow the exclusion or limitation of incidental or consequential damages, so the above limitation or exclusion may not apply to you.

This warranty gives you specific legal rights, and you may also have other rights, which vary from state to state. This warranty supersedes all prior warranties.

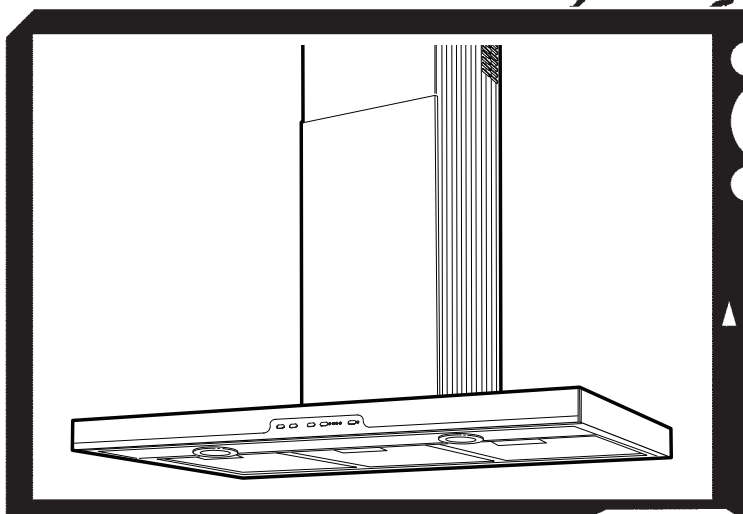
To qualify for warranty service, you must (a) notify Broan-NuTone at the address stated below or telephone number stated below, (b) give the model number and part identification and (c) describe the nature of any defect in the product or part. At the time of requesting warranty service, you must present evidence of the original purchase date.

In USA - Best®, 926 W. State Street, Hartford, WI 53027 (800-558-1711)

In Canada - Best®, 550 Lemire Blvd., Drummondville, QC J2C 7W9 (866-737-7770)

www.BestRangeHoods.com

best®



Série WC34

ENGLISH.....	1
FRANÇAIS.....	24
ESPAÑOL.....	47

Aux États-Unis - BEST Hartford, Wisconsin
Au CANADA - BEST Drummondville, QC, Canada

ENREGISTREZ VOTRE PRODUIT EN LIGNE À : www.BestRangeHoods.com/register
Pour de plus amples informations, visitez www.BestRangeHoods.com

LIRE CES DIRECTIVES ET LES CONSERVER

 **POUR USAGE DOMESTIQUE SEULEMENT** 

AVERTISSEMENT

OBSERVEZ LES DIRECTIVES CI-DESSOUS AFIN DE RÉDUIRE LES RISQUES D'INCENDIE, DE CHOC ÉLECTRIQUE OU DE BLESSURES CORPORELLES :

1. N'utilisez cet appareil que de la manière prévue par le fabricant. Si vous avez des questions, communiquez avec le fabricant à l'adresse ou au numéro de téléphone indiqués dans la garantie.
2. Avant de procéder à la réparation ou à l'entretien de l'appareil, coupez l'alimentation du panneau électrique et verrouillez l'interrupteur principal afin d'empêcher que le courant ne soit accidentellement rétabli. S'il est impossible de verrouiller l'interrupteur principal, fixez solidement un message d'avertissement, par exemple une étiquette, sur le panneau électrique.
3. La pose de l'appareil et les travaux d'électricité doivent être effectués par des personnes qualifiées conformément à la réglementation en vigueur, notamment les normes de la construction ayant trait à la protection contre les incendies.
4. Pour éviter les refoulements, l'apport d'air doit être suffisant pour brûler les gaz produits par les appareils à combustion et les évacuer dans le conduit de fumée (cheminée). Respectez les directives du fabricant de l'appareil de chauffage et les normes de sécurité, notamment celles publiées par la National Fire Protection Association (NFPA), l'American Society for Heating, Refrigeration and Air Conditioning Engineers (ASHRAE) et les codes des autorités locales.
5. Veillez à ne pas endommager le câblage électrique ou d'autres équipements non apparents lors de la découpe ou du perçage du mur ou du plafond.
6. Les ventilateurs canalisés doivent toujours rejeter l'air à l'extérieur.
7. N'utilisez pas de commande de régime à semi-conducteurs conjointement avec cet appareil.
8. Pour réduire les risques d'incendie, utilisez seulement des conduits en métal.

INSTRUCTIONS DE MISE À LA TERRE

Cet appareil doit être correctement mis à la terre. Dans l'éventualité d'un court-circuit, la mise à la terre réduit les risques de décharge électrique en permettant au courant de s'échapper dans un fil. Cet appareil comporte un cordon électrique muni d'un fil et d'une fiche de mise à la terre. Cette fiche doit être branchée dans une prise de courant correctement installée et mise à la terre.

AVERTISSEMENT - Une mise à la terre incorrecte peut entraîner un risque de choc électrique.

Consultez un électricien qualifié si vous ne comprenez pas complètement les directives de mise à la terre ou si vous n'êtes pas sûr que l'appareil comporte une mise à la terre adéquate.

N'utilisez pas de rallonge électrique. Si le cordon électrique est trop court, demandez à un électricien qualifié d'installer une prise de courant près de l'appareil.

AVERTISSEMENT

POUR RÉDUIRE LES RISQUES D'INCENDIE CAUSÉS PAR DE LA GRAISSE SUR LE PLAN DE CUISSON :

- A. Ne laissez jamais les éléments de surface allumés à haute température. Les débordements peuvent causer de la fumée et occasionner des écoulements de graisse inflammables. L'huile doit être chauffée graduellement à basse ou à moyenne température.
- B. Mettez toujours la hotte en MARCHÉ lors de la cuisson à feu vif ou lors de la cuisson d'aliments à flamber (par ex., crêpes Suzette, cerises jubilé, bœuf au poivre flambé).
- C. Nettoyez souvent la hotte. Ne laissez pas la graisse s'accumuler sur le ventilateur ou les filtres.
- D. Utilisez des casseroles de dimension appropriée. Utilisez toujours une batterie de cuisine adaptée à la dimension de la surface chauffante.

OBSERVEZ LES CONSIGNES SUIVANTES DE MANIÈRE À RÉDUIRE LES RISQUES DE BLESSURES CORPORELLES EN CAS D'INCENDIE CAUSÉ PAR DE LA GRAISSE SUR LE PLAN DE CUISSON :*

1. **ÉTOUFFEZ LES FLAMMES** à l'aide d'un couvercle étanche, d'une tôle à biscuits ou d'un plateau en métal puis éteignez le brûleur. FAITES ATTENTION DE NE PAS VOUS BRÛLER. Si les flammes ne s'éteignent pas immédiatement, QUITTEZ LES LIEUX ET APPELEZ LE SERVICE DES INCENDIES.
2. **NE SOULEVEZ JAMAIS UNE CASSEROLE EN FLAMMES** – vous pourriez vous brûler.
3. **N'UTILISEZ PAS D'EAU**, ni de serviettes ou de linges mouillés – une violente explosion de vapeur pourrait survenir.
4. Utilisez un extincteur **SEULEMENT** si :
 - A. Vous savez qu'il est de classe ABC et vous connaissez déjà son mode de fonctionnement.
 - B. L'incendie n'est pas très important et ne se propage pas.
 - C. Les pompiers ont été avisés.
 - D. Vous pouvez combattre l'incendie en faisant dos à une sortie.

* Conseils tirés de la publication de la NFPA « Kitchen Fire Safety Tips ».

ATTENTION

1. Pour usage intérieur seulement.
2. Pour réduire les risques d'incendie et évacuer l'air correctement, assurez-vous qu'il est canalisé à l'extérieur. N'évacuez pas l'air dans des espaces enfermés par des murs ou un plafond ou dans un grenier, un vide sanitaire ou un garage.
3. Faites attention lorsque vous utilisez des agents nettoyants ou des détergents.
4. Évitez d'utiliser des produits alimentaires pouvant produire des flammes sous la hotte.
5. Pour ventilation générale uniquement. N'utilisez pas cet appareil pour évacuer des matières ou des vapeurs dangereuses ou explosives.
6. Pour éviter d'endommager les roulements de moteur, de déséquilibrer les pales ou de les rendre bruyantes, débarrassez l'appareil de la poussière de plâtre, de construction, etc.
7. Le moteur de la hotte est muni d'un dispositif de protection thermique qui coupe automatiquement le moteur en cas de surchauffe. Il se remet en marche lorsqu'il a refroidi. Faites réparer la hotte si le moteur continue à fonctionner par intermittence.
8. Pour mieux capter les vapeurs de cuisson, le bas de la hotte doit être au minimum à 61 cm (24 po) et au maximum à 76,2 cm (30 po) de la surface de cuisson. Pour les restrictions s'appliquant au montage, voir la section « Installation de la bride de montage ».
9. Il est recommandé d'avoir deux installateurs, compte tenu de la taille et du poids de cette hotte.
10. Ce produit est doté d'un thermostat qui peut faire démarrer automatiquement le ventilateur. Pour réduire les risques de blessures, coupez l'alimentation sur le panneau électrique et verrouillez-le ou accrochez-y une étiquette de manière à éviter que le courant ne soit rétabli par accident.
11. Veuillez lire l'étiquette de spécifications du produit pour obtenir plus de renseignements, notamment sur les exigences.
12. Pour réduire les risques d'incendie et de choc électrique, installez cette hotte uniquement avec un ventilateur extérieur Best de modèle EB6, EB9, EB12 ou EB15 ou un ventilateur intermédiaire Best de modèle ILB3, ILB6, ILB9 ou ILB11. Ne pas leur substituer un autre ventilateur. Ventilateurs vendus séparément.

FONCTIONNEMENT

Commandes

La hotte fonctionne à l'aide de (5) boutons-poussoirs situés sur la face avant. Fig. 1.

L'interrupteur d'**Éclairage Marche/Arrêt** allume et éteint les lumières.

Le bouton de **Ventilateur Arrêt** / - réduit la vitesse du ventilateur à chaque pression. Si l'on maintient le bouton enfoncé pendant 2 secondes, le ventilateur s'arrête.

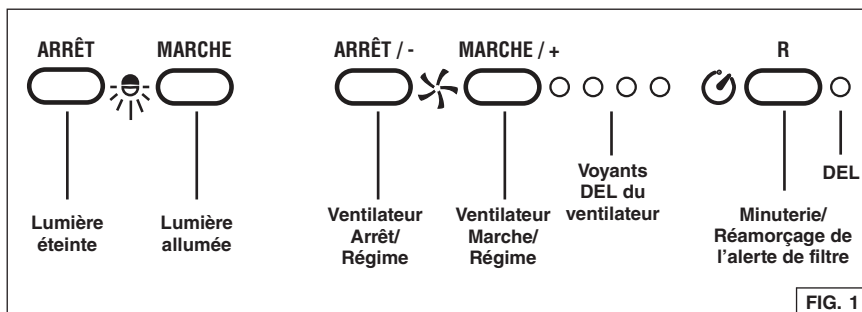
Le bouton de **Ventilateur Marche** / + actionne le ventilateur et augmente sa vitesse à chaque pression. Il y a quatre régimes différents : faible, moyen-faible, moyen-élevé et élevé.

Les **voyants DEL du ventilateur** s'allument pour indiquer la vitesse sélectionnée.

Le bouton de **minuterie** actionne la fonction d'arrêt différé. Lorsque l'on appuie sur ce bouton, le ventilateur continue à fonctionner pendant 10 minutes au régime réglé, puis s'arrête automatiquement. Le voyant **DEL** (de droite) clignote pendant le fonctionnement.

Ce voyant sert également à rappeler quand le filtre doit être nettoyé. Après 30 heures de fonctionnement, il clignote pour indiquer qu'il est temps de nettoyer les filtres.

Le bouton de **Réamorçage de l'alerte de filtre** remet le compteur de 30 heures à zéro pour les filtres. Pour réinitialiser la minuterie des filtres à nettoyer après les filtres sont nettoyés ou remplacés: Appuyez sur le bouton une fois que le voyant clignote.



Fonction d'arrêt automatique

Si le ventilateur ou l'éclairage reste continuellement allumé pendant 10 heures sans que l'utilisateur interagisse avec les commandes, la hotte s'arrêtera automatiquement. Appuyez sur tout bouton de commande pour remettre la hotte en marche.

THERMOSTAT HEAT SENTRY^{MC}

Votre hotte est équipée d'un thermostat HEAT SENTRY^{MC}. Ce dispositif actionne ou accélère le ventilateur s'il détecte une chaleur excessive au-dessus de la surface de cuisson.

1) Si le ventilateur est ARRÊTÉ, il le met en MARCHE au régime ÉLEVÉ.

2) Si le ventilateur est en MARCHE à basse vitesse, il l'accélère au régime ÉLEVÉ.

Une fois la température revenue à la normale, le ventilateur revient à son réglage d'origine.

AVERTISSEMENT

Le thermostat HEAT SENTRY peut faire démarrer le ventilateur même si la hotte est ARRÊTÉE. Lorsque cela se produit, il est impossible d'ARRÊTER le ventilateur avec son interrupteur. Si vous devez arrêter le ventilateur, coupez le disjoncteur du panneau d'alimentation électrique.

AMPOULES DEL

Cette hotte comprend des ampoules DEL qui n'exigent aucun entretien.

NETTOYAGE ET ENTRETIEN

Un entretien adéquat de la hotte assurera son bon fonctionnement.

Moteur

Le moteur est lubrifié en permanence et n'a pas besoin d'être huilé. Si les roulements du moteur sont anormalement bruyants, remplacez le moteur exactement par le même modèle. La roue à ailettes doit aussi être remplacée.

Filtre à graisses

Le filtre à graisses doit être nettoyé fréquemment. Utilisez une solution tiède de détergent. Le filtre à graisses est lavable au lave-vaisselle.

Nettoyez les filtres entièrement métalliques au lave-vaisselle avec un détergent sans phosphate. Une décoloration du filtre peut se produire si des détergents phosphatés sont utilisés et selon les conditions locales de l'eau, sans toutefois affecter le rendement du filtre. Cette décoloration n'est pas couverte par la garantie.

Voir la section « INSTALLATION DES FILTRES » pour leur enlèvement et leur pose.

Filtre de recirculation pour installation sans conduit

Dans une installation sans conduit, le filtre de recirculation doit être remplacé tous les six mois. Remplacez-le plus souvent si le type de cuisine produit plus de graisses, telle que la friture et la cuisson au wok. Voir la section « INSTALLATION DES FILTRES » pour leur enlèvement et leur pose.

Nettoyage de l'acier inoxydable

À FAIRE :

- Régulièrement, nettoyez toutes les surfaces avec un chiffon propre imbibé d'eau tiède et de savon doux ou de liquide à vaisselle.
- Nettoyez toujours dans le sens des lignes du poli original.
- Rincez toujours à l'eau propre (2 ou 3 fois) après le nettoyage. Séchez complètement en essuyant.
- Vous pouvez également utiliser un nettoyeur spécial pour acier inoxydable.

À NE PAS FAIRE :

- N'utilisez pas de laine d'acier ordinaire ni de laine d'acier inoxydable ou tout genre de grattoir pour déloger la saleté.
- N'utilisez aucun nettoyeur puissant ou abrasif.
- Ne laissez pas la saleté s'accumuler.
- Ne laissez pas la poussière de plâtre ou tout autre résidu de construction pénétrer dans la hotte. Pendant des travaux de construction ou de rénovation, couvrez la hotte pour empêcher la poussière d'adhérer aux surfaces d'acier inoxydable.

À éviter : lors du choix d'un détergent

- Tout nettoyeur contenant de l'eau de javel attaquera l'acier inoxydable.
- Tout produit contenant : du chlore, du fluor, de l'iode ou du brome détériorera rapidement les surfaces.
- Tout produit combustible utilisé pour le nettoyage comme l'acétone, l'alcool, l'éther, le benzol, etc., est hautement explosif et ne doit jamais être utilisé à proximité d'une hotte.

PRÉPARATION DE LA HOTTE

Déballer la hotte et vérifier le contenu de la boîte.

Celle-ci doit contenir les éléments suivants :

- 1 - Hotte
- 1 - Conduit décoratif de cheminée
- 1 - Sac de pièces contenant :
 - 2 - Bride de montage
 - 1 - Ensemble de clapet
 - 1 - Bride de montage de conduit décoratif
 - 8 - Vis de montage (4,8 x 38 mm à tête cylindrique)
 - 4 - vis de montage (3,9 x 9,5 mm à tête cylindrique)
 - 2 - Vis de montage (3,9 x 6 mm à tête plate)
 - 8 - chevilles d'ancrage pour cloisons sèches
 - 2 - Rondelles de blocage
- 1 - Directives d'installation

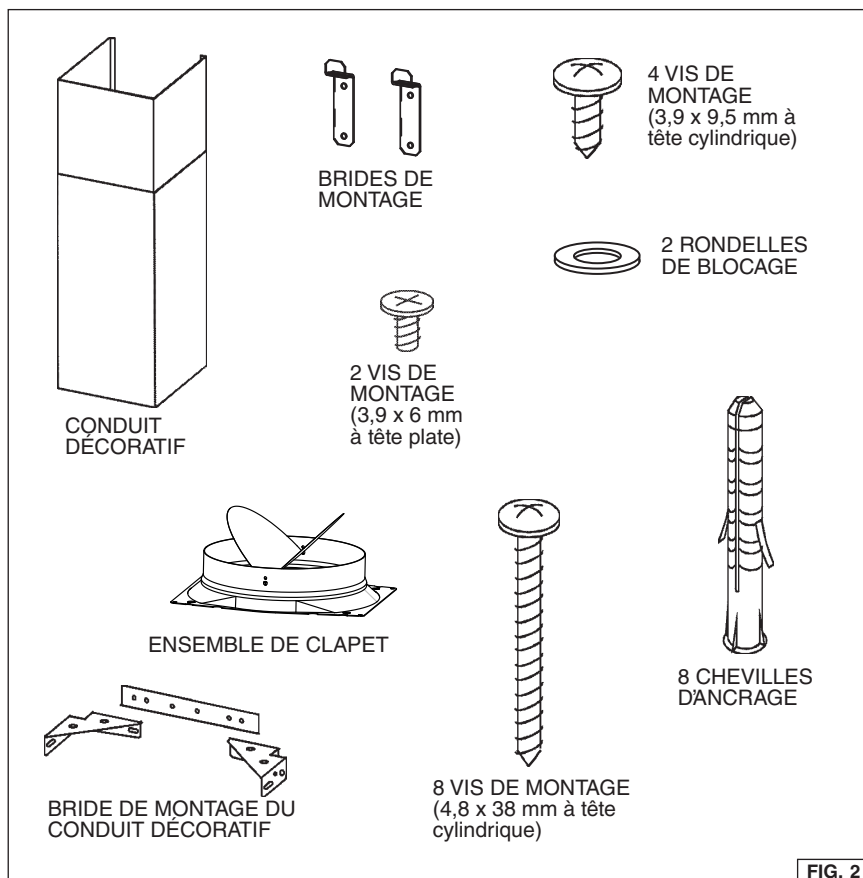
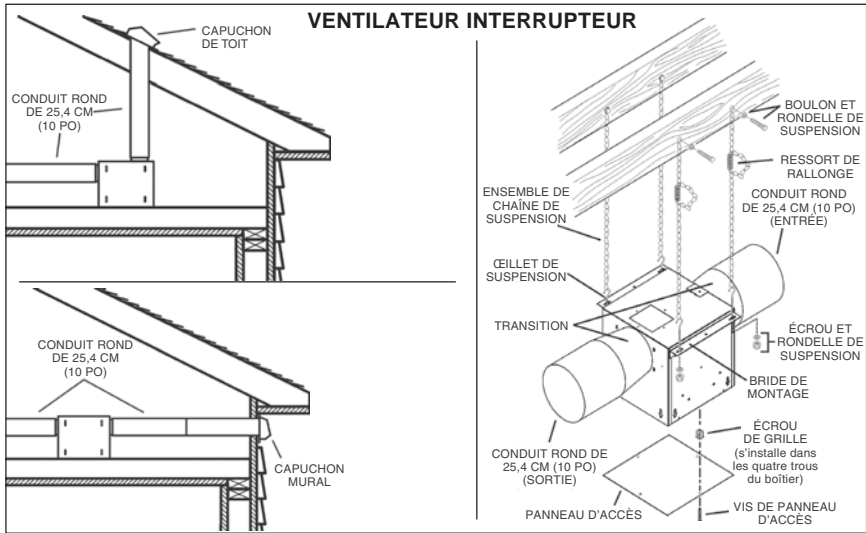


FIG. 2

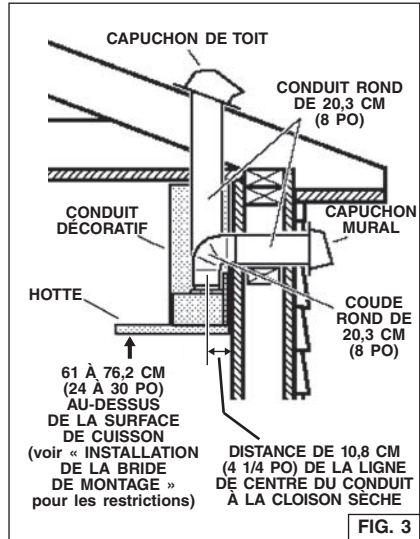


POSE DU CONDUIT

HOTTES AVEC CONDUITS SEULEMENT

ATTENTION : Pour réduire les risques d'incendie, utilisez seulement des conduits en métal.

1. Décidez de l'emplacement des conduits entre la hotte et l'extérieur. Fig. 3.
2. Un tracé droit et court permet à la hotte d'être plus efficace.
3. Des conduits longs, des coudes et des transitions réduisent son efficacité. N'en utilisez que le moins possible. Pour plus d'efficacité, des conduits plus gros peuvent être nécessaires si le parcours est trop long.
4. Installez le capuchon mural ou de toit. Connectez un conduit rond en métal au chapeau en progressant vers la hotte. Scellez les joints avec du ruban à conduit à chaque section.

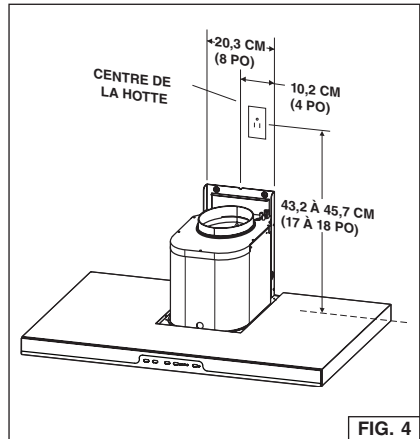


CÂBLAGE

HOTTES AVEC ou SANS CONDUITS

⚠ AVERTISSEMENT : Les travaux d'électricité doivent être effectués par des personnes qualifiées en respectant les codes et les normes en vigueur. Cette hotte de cuisine doit être correctement mise à la terre. Avant d'effectuer le câblage, coupez le courant sur le panneau d'alimentation électrique.

1. Planifiez l'emplacement de la hotte au-dessus de la surface de cuisson. Consultez la section « INSTALLATION DE LA BRIDE DE MONTAGE » pour les différentes hauteurs de montage de la hotte.
2. Installez une boîte électrique standard de 5,1 x 10,2 cm (2 x 4 po) et une prise de courant à 3 broches, 125 volts, 15 ampères avec mise à la terre. Fig. 4.
3. Installez le centre de la prise de courant 43,2 à 45,7 cm (17 à 18 po) au-dessus du bas de la hotte.
4. Placez la prise en respectant les limites indiquées et décentrée par rapport au conduit (pour permettre le branchement du cordon électrique et le passage du conduit).



CONNEXIONS ÉLECTRIQUES DU VENTILATEUR EXTÉRIEUR

Raccordement du ventilateur à la hotte : (Fig. 5)

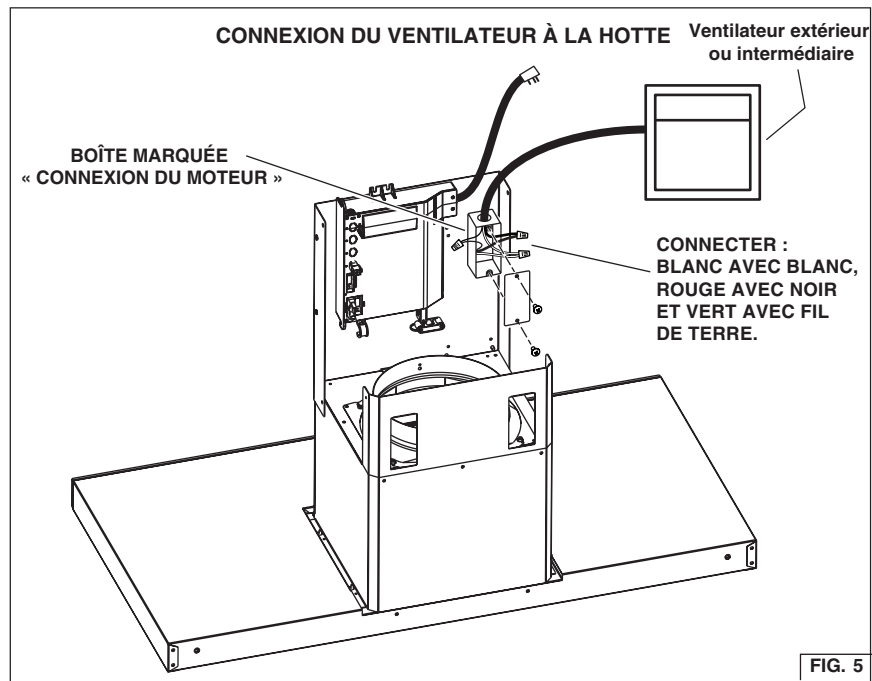
1. Acheminez un câble électrique à deux fils plus un fil de terre du ventilateur extérieur ou intermédiaire jusqu'à la boîte de câblage de la hotte marquée « connexion du moteur ».
2. Enlevez le couvercle de la boîte de câblage et dégagez une ouverture préamorcée.
3. Enfoncez 15,2 cm (6 po) de câble à travers l'ouverture préamorcée et fixez le câble au boîtier avec un connecteur approprié.
4. Effectuez les connexions électriques de la hotte. Branchez les fils blancs ensemble, le fil rouge **au noir** et le fil vert avec le fil de terre.
5. Remplacez le couvercle du boîtier de câblage et les vis. Assurez-vous qu'aucun des câbles n'est coincé entre le couvercle et le boîtier.

Connexion du ventilateur extérieur ou intermédiaire :

1. Effectuez les branchements électriques du ventilateur extérieur ou intermédiaire (voir les instructions fournies avec le ventilateur).

Connexion de l'alimentation de la hotte :

1. Branchez le cordon d'alimentation dans la prise électrique murale.



INSTALLATION DES BRIDES DE MONTAGE

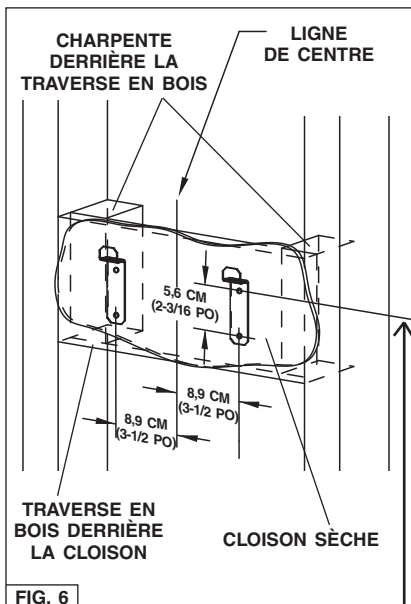
HOTTES AVEC ou SANS CONDUITS

1. Construisez une **charpente** de bois qui **affleure** la surface intérieure des montants du mur. Fig. 6.

Prenez soin :

- a) de centrer cette charpente avec l'emplacement d'installation.
- b) de donner une hauteur suffisante à la charpente afin de pouvoir y fixer solidement les **brides de montage** selon les mesures indiquées.

2. **Une fois la surface du mur finie**, fixez les brides de montage à la charpente à l'aide de (4) vis de 4,8 x 38 mm. Voir le tableau ci-dessous pour l'emplacement des brides de montage. **N'utilisez pas des chevilles d'ancrage.**



HAUTEUR DU PLAFOND	MÉTHODE DE CANALISATION	DISTANCE DE LA HOTTE AU-DESSUS D'UNE CUISINIÈRE DE 91 CM (36 PO) DE HAUTEUR (voir la note ci-dessous)						
		61 cm (24 po)	63,5 cm (25 po)	66 cm (26 po)	68,6 cm (27 po)	71,1 cm (28 po)	73,7 cm (29 po)	76,2 cm (30 po)
POSITION DU TROU CENTRAL DE LA BRIDE DE MONTAGE AU-DESSUS D'UNE CUISINIÈRE DE 91 CM (36 PO) DE HAUTEUR								
244 CM (8 PI)	AVEC CONDUITS	96,5 cm (38 po)	99,1 cm (39 po)	101,6 cm (40 po)	104,1 cm (41 po)	106,7 cm (42 po)	109,2 cm (43 po)	111,8 cm (44 po)
	SANS CONDUITS	96,5 cm (38 po)	99,1 cm (39 po)	101,6 cm (40 po)	104,1 cm (41 po)	106,7 cm (42 po)	109,2 cm (43 po)	111,8 cm (44 po)
274 CM (9 PI)	AVEC CONDUITS	96,5 cm (38 po)*	99,1 cm (39 po)*	101,6 cm (40 po)*	104,1 cm (41 po)	106,7 cm (42 po)	109,2 cm (43 po)	111,8 cm (44 po)
	SANS CONDUITS	96,5 cm (38 po)	99,1 cm (39 po)	101,6 cm (40 po)	104,1 cm (41 po)	106,7 cm (42 po)	109,2 cm (43 po)	111,8 cm (44 po)
305 CM (10 PI) (voir remarque b.)	AVEC CONDUITS	96,5 cm (38 po)*	99,1 cm (39 po)*	101,6 cm (40 po)	104,1 cm (41 po)	106,7 cm (42 po)	109,2 cm (43 po)	111,8 cm (44 po)
	SANS CONDUITS	96,5 cm (38 po)	99,1 cm (39 po)	101,6 cm (40 po)	104,1 cm (41 po)	106,7 cm (42 po)	109,2 cm (43 po)	111,8 cm (44 po)
335 CM (11 PI) (voir remarque a. et b.)	AVEC CONDUITS					106,7 cm (42 po)	109,2 cm (43 po)	111,8 cm (44 po)
	SANS CONDUITS					106,7 cm (42 po)	109,2 cm (43 po)	111,8 cm (44 po)

* Hauteur possible d'installation - toutefois, les fentes des filtres pour installation sans conduits seront visibles.

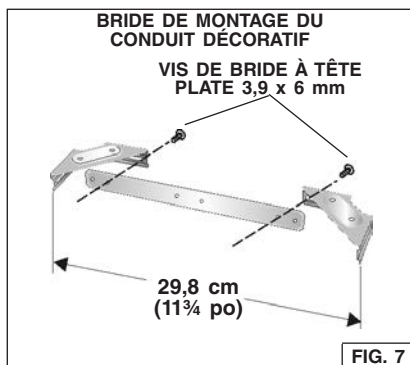
Remarques :

- a. La distance minimale au-dessus de la surface de cuisson ne doit pas être inférieure à 61 cm (24 po). Un maximum de 76,2 cm (30 po) est également fortement recommandé pour mieux capter les vapeurs de cuisson. Les distances de plus de 76,2 cm (30 po) sont laissées à la discrétion de l'installateur et de l'utilisateur si la hauteur du plafond et la longueur du conduit décoratif le permettent.
- b. Nécessite la rallonge de conduit décoratif de 305 cm (10 pi) modèle AEWC345IQSB (avec conduits) ou AEWC345IQSBN (sans conduits).

INSTALLATION DE LA BRIDE DE MONTAGE DU CONDUIT DÉCORATIF

HOTTES AVEC OU SANS CONDUITS

1. Assemblez la bride de montage du conduit décoratif en réglant sa largeur, tel qu'illustré. Fig. 7.
2. Centrez **soigneusement** la bride de montage directement au-dessus de l'emplacement de la hotte.
3. Fixez la bride au plafond à l'aide de (2) vis de montage de 4,8 x 38 mm et des chevilles d'ancrage pour cloisons sèches. Fig. 8. Assurez-vous que la bride est bien appuyée dans l'angle du mur et contre le mur, et bien centrée au-dessus de la hotte.

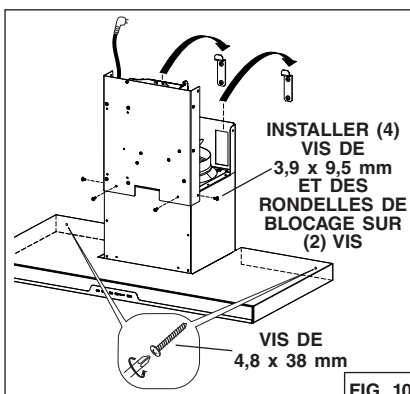
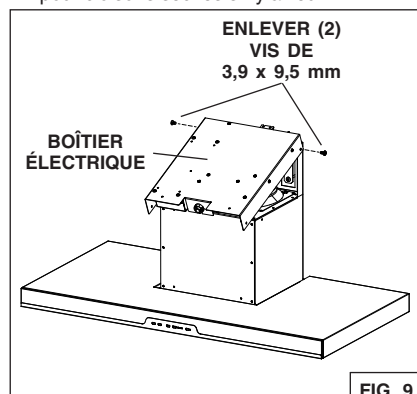
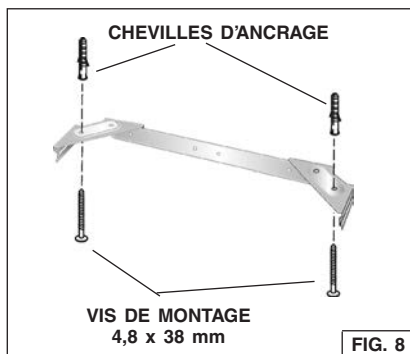


INSTALLATION DE LA HOTTE

Remarque : Retirez soigneusement la pellicule protectrice en plastique sur toutes les surfaces extérieures de la hotte et du conduit décoratif avant l'installation finale. Enlevez les filtres. (Consultez la section « Installation des filtres ».)

INSTALLATION AVEC ou SANS CONDUITS

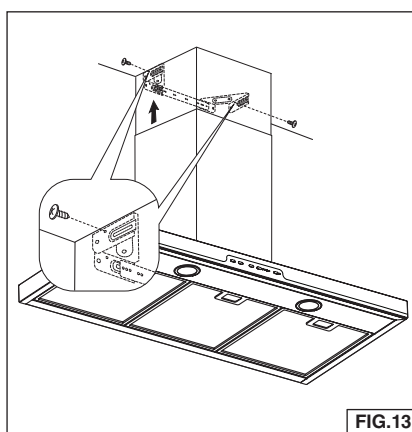
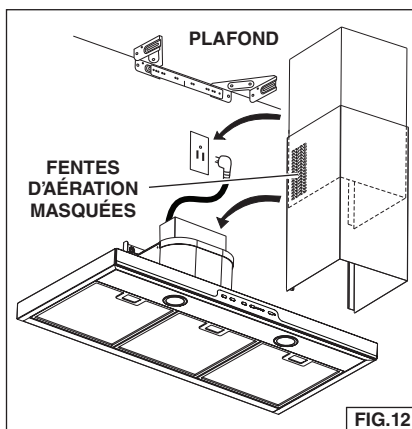
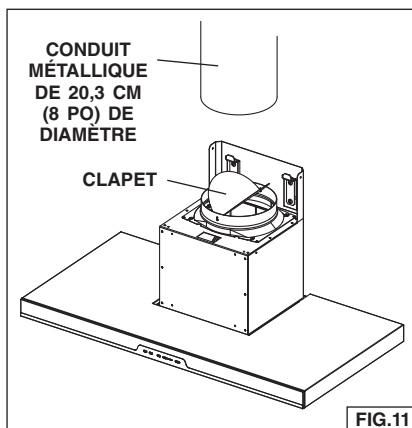
1. Enlevez le boîtier électrique du cadre de la cheminée en retirant (2) vis de 3,9 x 9,5 mm. Fig. 9.
2. Fixez le boîtier électrique au cadre à l'aide des (2) vis de 3,9 x 9,5 mm enlevées à l'étape 1 et de (2) vis 3,9 x 9,5 mm et (2) rondelles de blocage du sachet de quincaillerie.
3. Installez la hotte sur les brides de montage au mur. Fig. 10. Réglez les vis de nivellement des brides de montage afin de mettre la hotte de niveau.
4. Marquez et installez (2) vis supplémentaires, tel qu'illustré. Utilisez les chevilles d'ancrage pour cloisons sèches s'il y a lieu.



INSTALLATION AVEC CONDUITS UNIQUEMENT

Remarque : Les pièces ayant un plafond de 305 cm (10 pi) nécessitent la rallonge de conduit décoratif modèle AEWC345IQSB, offerte chez votre marchand local. Jetez le conduit décoratif supérieur fourni avec votre hotte et remplacez-le par la rallonge de conduit décoratif.

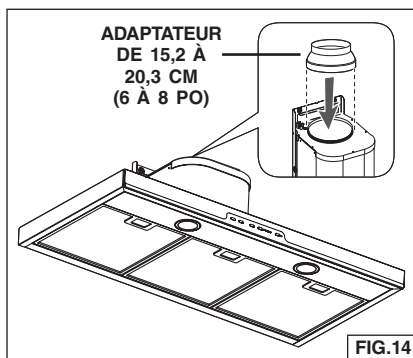
1. Enlevez la pellicule protectrice de la sortie du ventilateur avant d'installer le clapet sur la hotte avec les (4) vis fournies et scellez les joints avec du ruban en aluminium pour conduits. Fig. 11.
2. Acheminez le conduit métallique rond de 20,3 cm (8 po) jusqu'à l'extérieur.
3. Installez le capuchon de toit ou mural approprié, muni d'un clapet, pour évacuer l'air à l'extérieur.
4. Scellez tous les joints avec du ruban d'aluminium pour conduits.
5. Branchez le cordon électrique dans la prise de courant.
6. Installez le conduit décoratif supérieur et inférieur sur la hotte. Fig. 12.
 - Les fentes d'aération sont masquées pour les plafonds de 244 cm (8 pi).
 - Les fentes d'aération sont exposées pour les plafonds de 274 cm (9 pi).
7. Fixez le conduit supérieur à la bride de montage avec (2) vis de 3,9 x 6 mm. Fig. 13.



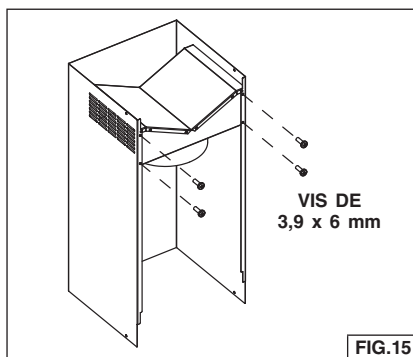
INSTALLATION SANS CONDUITS SEULEMENT

Remarque :

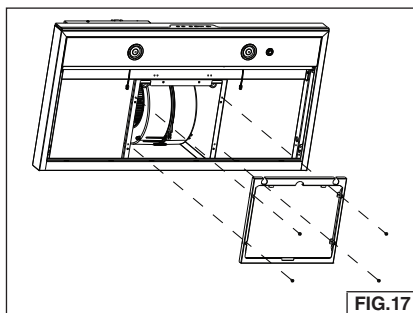
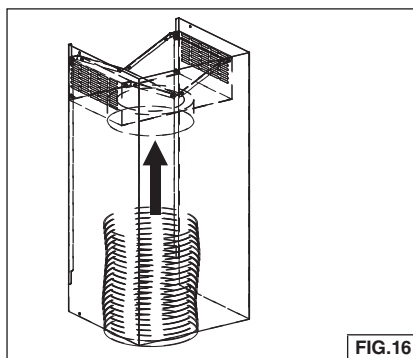
- a. Procurez-vous un ensemble de recirculation ANKWC345 auprès de votre marchand local.
- b. Les pièces ayant un plafond de 305 cm (10 pi) nécessitent la rallonge de conduit décoratif modèle AEWC345IQSB, offerte chez votre marchand local. Jetez le conduit décoratif supérieur fourni avec votre hotte et remplacez-le par la rallonge de conduit décoratif.



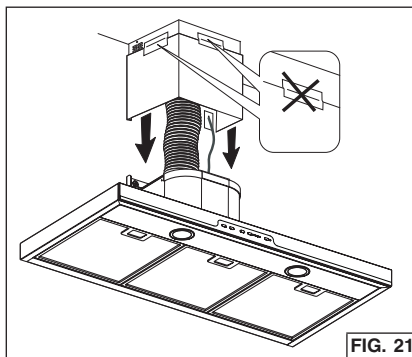
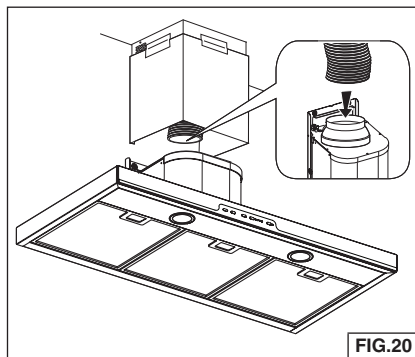
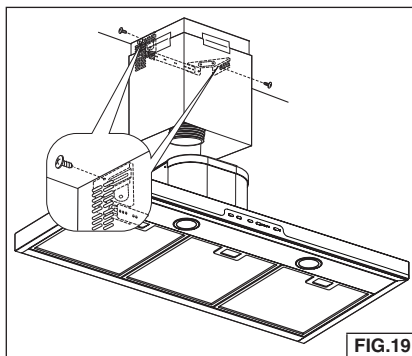
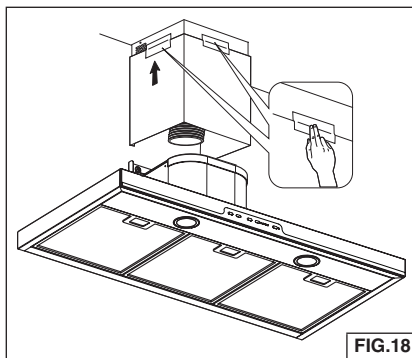
1. Enlevez la pellicule protectrice de la sortie du ventilateur avant d'installer le clapet sur la hotte avec les (4) vis fournies et scellez les joints avec du ruban en aluminium pour conduits. Voir Fig. 11.
2. Fixez l'adaptateur de 15,2 à 20,3 cm (de 6 à 8 po) sur la sortie du ventilateur et scellez les joints avec du ruban en aluminium pour conduits. Fig. 14.
3. Installez le caisson sur le conduit décoratif supérieur à l'aide des (4) vis de 3,4 x 15 mm fournies, tel qu'illustré. Fig. 15.



4. Fixez le conduit extensible de 15,2 cm (6 po) sur le caisson et scellez les joints avec du ruban en aluminium pour conduits. Fig. 16.
5. Installez le filtre non canalisé sur le cadre à l'aide de (4) vis de 3,9 x 6 mm. Fig. 17.



6. Fixez temporairement les conduits supérieur et inférieur ensemble avec du ruban à conduit, tel qu'illustré. Fig. 18.
7. Soulevez le conduit décoratif en place. Fixez le conduit supérieur à la bride de montage avec (2) vis de 3,9 x 6 mm. Fig. 19.
8. Allongez le conduit extensible, fixez l'adaptateur de 15,2 à 20,3 cm (de 6 à 8 po) et scellez les joints avec du ruban à conduit. Fig. 20.
9. Branchez le cordon électrique dans la prise de courant.
10. Enlevez le ruban des conduits décoratifs et abaissez-le en place sur le hotte. Fig. 21.



INSTALLATION DES FILTRES

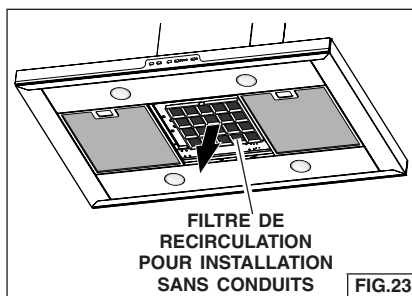
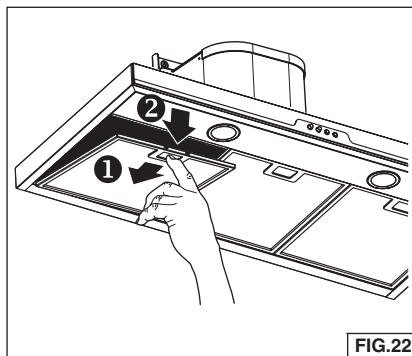
HOTTES AVEC OU SANS CONDUITS

1. Enlevez le filtre à graisse en enfonçant la languette du loquet pour dégager le filtre de la hotte. Inclinez le filtre vers le bas et enlevez-le. Fig. 22.
2. Pour installer le filtre à GRAISSES, alignez les ergots arrière du filtre dans les fentes de la hotte. Enfoncez la languette métallique, poussez le filtre en place et relâchez la languette. Vérifiez si le filtre est bien fixé une fois remplacé. Fig. 22.

REMARQUE : Avant l'utilisation, enlevez la pellicule protectrice sur le cadre du filtre.

HOTTES SANS CONDUITS SEULEMENT

1. Pour enlever le filtre au CHARBON, agrippez la languette du filtre et poussez-la vers l'arrière de la hotte. Tirez le filtre vers le bas pour dégager les pattes arrière du filtre. Fig. 23.
2. Pour installer le filtre au CHARBON, alignez-le dans l'ouverture rectangulaire. Poussez le filtre contre les ressorts à l'arrière de la hotte et pressez-le en place. Vérifiez si le filtre est bien fixé une fois remplacé.
3. Installez le filtre à GRAISSES une fois le filtre au charbon posé.
4. Pour remplacer le filtre au charbon, utilisez le modèle AFCWC345



CALIBRAGE DU VENTILATEUR IQ^{MC} (WC34IQ)

VENTILATEUR INTERNE AVEC CONDUITS SEULEMENT

Une fois la hotte installée et connectée, enclenchez le processus de calibrage (notre Technologie de performance garantie s'assure que le débit d'air optimal sera émis). Avant le calibrage, assurez-vous que les filtres, les ampoules d'éclairage et les conduits sont installés.

CALIBRAGE Fig. 24.

Maintenez le bouton de calibrage pendant 3 secondes; le bouton s'allumera durant jusqu'à 13 minutes. Le ventilateur se met en marche et le calibrage commence. Une fois le calibrage terminé, il y a deux possibilités :

- A. Le ventilateur s'arrête et la lumière du bouton de calibrage reste allumée = Calibrage réussi. Appuyez sur le bouton pour éteindre la DEL. Remarque : La DEL s'éteindra aussi si vous sélectionnez n'importe quelle vitesse de ventilateur à l'aide de la commande.
- B. Le ventilateur s'arrête et la lumière du bouton de calibrage clignote continuellement = Trop de restriction dans le conduit empêchant le ventilateur IQ^{MC} d'atteindre le débit d'air nominal. Le ventilateur se règle automatiquement à l'intensité maximale.

REMARQUE : Les causes les plus courantes de restriction sont : un clapet coincé (clapet antirefoulement, capuchon mural, capuchon de toit), un trop grand nombre de coudes, un conduit dont la dimension est 80 % inférieure à la sortie de la hotte, une mauvaise transition, l'utilisation de conduit flexible et/ou un conduit écrasé.

Trois options s'offrent à vous si le débit de votre hotte est soumis à une restriction trop importante :

1. Accepter le débit tel quel.
 - a. Appuyez sur le bouton de calibrage pour accepter le débit d'air tel quel. Le ventilateur IQMC est maintenant configuré au meilleur rendement possible. Le témoin de calibrage clignotant s'éteint. Remarque : La DEL

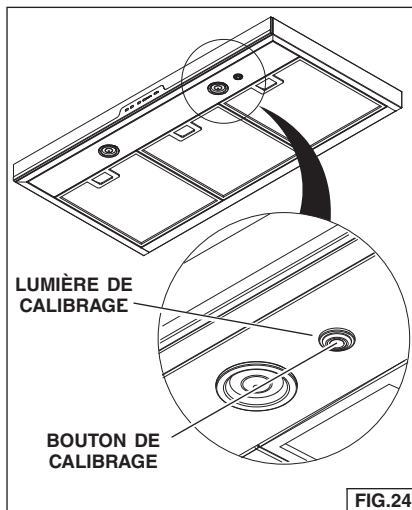


FIG.24

s'éteindra aussi si vous sélectionnez n'importe quelle vitesse de ventilateur à l'aide de la commande.

2. Corriger la restriction, effacer les données de calibrage original et recommencer le calibrage.
 - a. Corrigez la restriction dans le conduit.
 - b. Effacez les données de calibrage original en maintenant le bouton de calibrage pendant 10 secondes. Le témoin clignotera 3 fois pour confirmer et le ventilateur retournera aux paramètres par défaut.
 - c. Recommencez le calibrage depuis le début.
3. Effacer les données de calibrage pour rétablir les paramètres par défaut de la hotte et obtenir le rendement standard à haute pression du ventilateur.
 - a. Effacez les données de calibrage pour rétablir les paramètres par défaut de la hotte en maintenant le bouton de calibrage pendant 10 secondes. Le témoin clignotera 3 fois pour confirmer et le ventilateur retournera aux paramètres par défaut.

MODE DE PROGRAMMATION DU VENTILATEUR EXTÉRIEUR (WC34E)

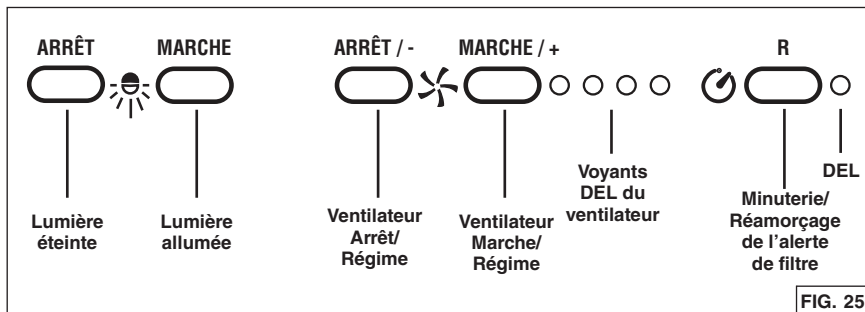


FIG. 25

Cette hotte est conçue pour être utilisée avec plusieurs modèles de ventilateurs. Avant leur utilisation, la commande doit être programmée en fonction du modèle du ventilateur pour obtenir les régimes de fonctionnement souhaités.

Dans le tableau ci-dessous :

1. Trouvez le numéro de CONFIGURATION qui correspond au modèle de ventilateur installé avec votre hotte.
2. La commande est réglée par défaut à l'usine à la CONFIGURATION 3. Si votre ventilateur est indiqué sous la CONFIGURATION 3, aucune programmation n'est nécessaire et la hotte est prête à utiliser.

	CONFIGURATION 1	CONFIGURATION 2	CONFIGURATION 3 (par défaut)
NUMÉRO DE MODÈLE DU VENTILATEUR	EB6 ILB3 ILB6	EB12 EB15 ILB9	EB9 ILB11

3. Pour programmer les modèles de ventilateurs indiqués sous CONFIGURATION 1 et 2 :
 - A) Assurez-vous que la hotte est sous tension. Le ventilateur et l'éclairage doivent être éteints.
 - B) Appuyez sur les boutons **ARRÊT/-** et **MARCHE/+** et maintenez-les pendant 5 secondes. Les **voyants DEL du ventilateur** clignoteront 3 fois. Puis seulement une **DEL** restera allumée. Après 1 seconde, les **voyants DEL du ventilateur** indiqueront la configuration actuelle comme suit :
 - ○ ○ ○ CONFIGURATION 1
 - ● ● ○ CONFIGURATION 2
 - ○ ○ ● CONFIGURATION 3
 - C) Pour sélectionner la CONFIGURATION appropriée : Appuyez sur les boutons **ARRÊT/-** et **MARCHE/+** pour sélectionner la CONFIGURATION voulue.
 - D) Une fois la CONFIGURATION voulue obtenue : Appuyez sur **MARCHE** pour mémoriser la configuration ou attendez 15 secondes pour que le programme quitte automatiquement et enregistre votre CONFIGURATION.
 - E) La hotte est maintenant prête à utiliser.

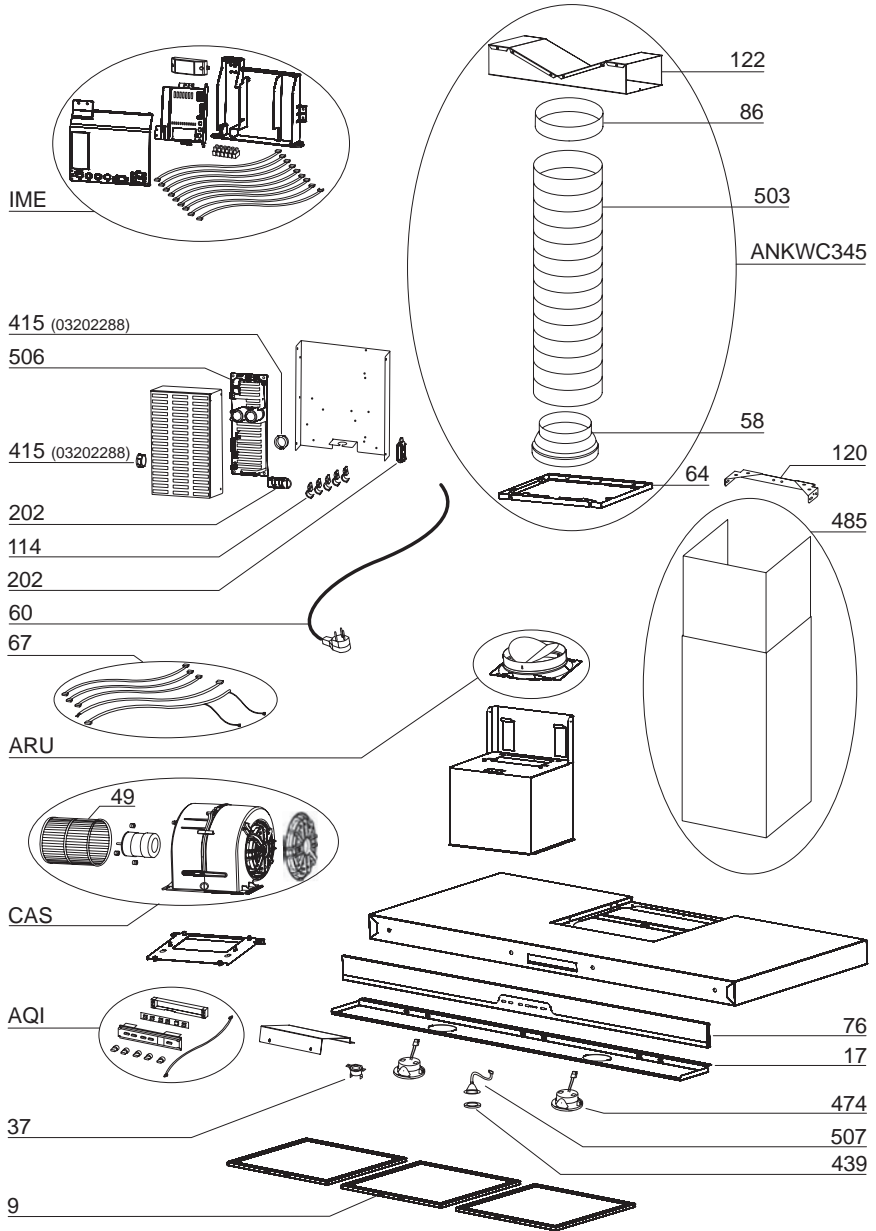
PIÈCES DE RECHANGE

SÉRIE WC34IQ

REPÈRE	DESCRIPTION N° DE PIÈCE	
76	DESSUS EN VERRE 03102748	
CAS	ENSEMBLE DE VENTILATEUR	06002259
49	VENTILATEUR (ROTATION À DROITE)	03295071
IME	ENSEMBLE D'INSTALLATION ÉLECTRIQUE	06145222
114	PINCE DE FIL	032904990
506	CIRCUIT DE MOTEUR SANS BALAIS	97019431
67	FILS	06102592
202	ARRÊT DE RÉFLECTEUR	03292290
415	GUIDE-CÂBLE	03202288
60	CORDON D'ALIMENTATION	02300249
507	BOUTON DE ENSEMBLE	06102584
439	ANNEAU D'ARRÊT	02320034
37	BOUTON	02300804
474	AMPOULE DEL	08093413
AQI	ENSEMBLE DE BOÎTIER D'INTERRUPTEUR	06102594
17	SUPPORT DU DIFFUSEUR DE LUMIÈRE	E3351891
9	FILTRE À GRAISSES	08087825
ARU	ENSEMBLE DE RACCORD DE SORTIE D'AIR	080810849
485	ENSEMBLE DE CONDUIT TÉLESCOPIQUE	08016368
120	BRIDE SUPÉRIEURE DE CONDUIT TÉLESCOPIQUE	08091851
ANKWC345	ENSEMBLE DE FILTRES SANS CONDUITS	08999175
58	RÉDUCTEUR 20,3 CM (8 PO) À 15,2 CM (6 PO)	03294170
503	CONDUIT EXTENSIBLE DE 15,2 CM (6 PO)	02011557
86	ANNEAU D'ADAPTATEUR DE 15,2 CM (6 PO)	032292300
122	CAISSON NON CANALISÉ	08093478
64	CADRE DE FILTRE SANS CONDUITS	08093447
	FILTRE NON-CONDUIT	08999176
	SAC DE QUINCAILLERIE	080810993

PIÈCES DE RECHANGE

SÉRIE WC34IQ



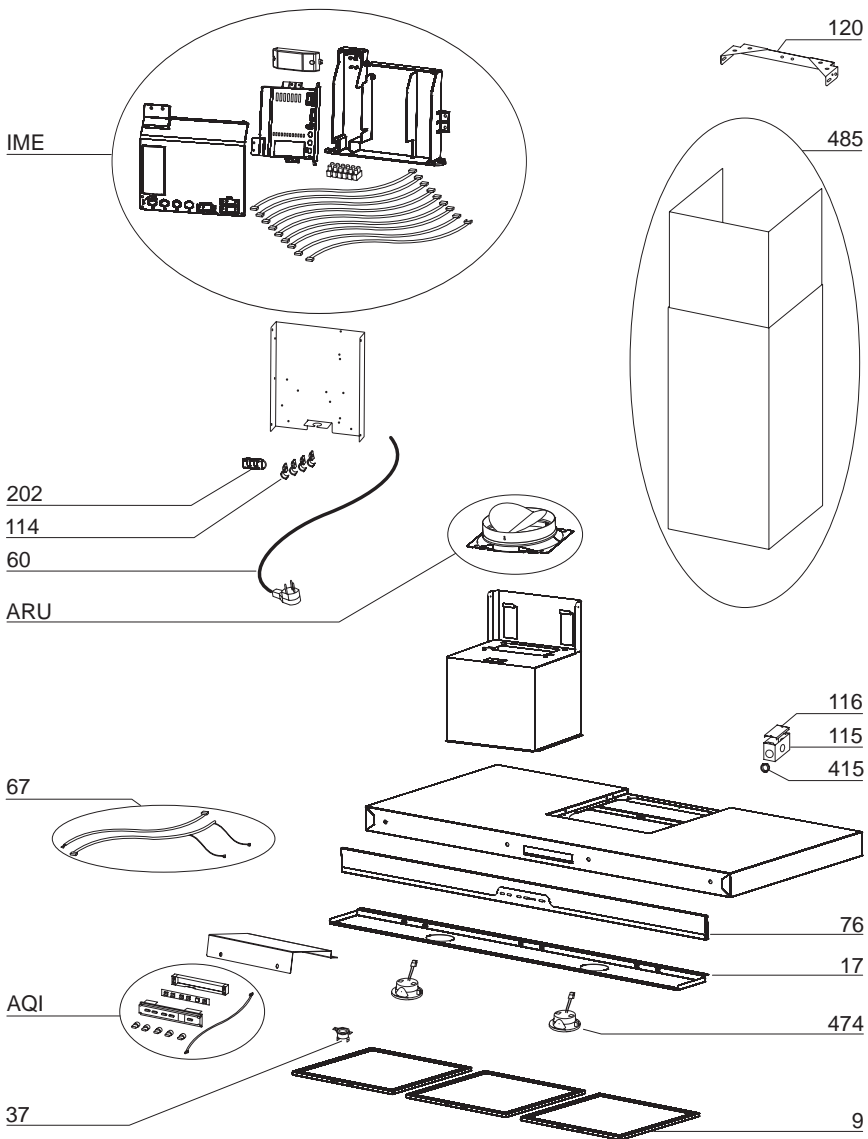
PIÈCES DE RECHANGE

SÉRIE WC34E

REPÈRE	DESCRIPTION	N° DE PIÈCE
76	DESSUS EN VERRE	03102748
IME	ENSEMBLE D'INSTALLATION ÉLECTRIQUE	06145223
166	PLAQUETTE DE CIRCUIT IMPRIMÉ	08080877
145	BOÎTIER DE CONNEXION DU CÂBLE D'ALIMENTATION	032920170
147	PINCE DE JONCTION	R2300132
146	COUVERCLE DU BOÎTIER DE CONNEXION DU CÂBLE D'ALIMENTATION	03292180
151	SERRE-CÂBLE DU BOÎTIER DE CONNEXION ÉLECTRIQUE	032920200
114	PINCE DE FIL	032904990
67	FILS	06102593
60	CORDON D'ALIMENTATION	02300249
37	BOUTON	02300804
114	GUIDE-FILS	032904990
474	AMPOULE DEL	08093413
AQI	ENSEMBLE DE BOÎTIER D'INTERRUPTEUR	06102595
17	SUPPORT DU DIFFUSEUR DE LUMIÈRE	E3351891
9	FILTRE À GRAISSES	08087825
ARU	ENSEMBLE DE RACCORD DE SORTIE D'AIR	080810849
485	ENSEMBLE DE CONDUIT TÉLESCOPIQUE	08016368
120	BRIDE SUPÉRIEURE DE CONDUIT TÉLESCOPIQUE SAC DE QUINCAILLERIE	08091851 080810993

PIÈCES DE RECHANGE

SÉRIE WC34E



GARANTIE

GARANTIE LIMITÉE D'UN AN DES PRODUITS BEST

Broan-NuTone LLC (Broan-NuTone) garantit à l'acheteur original que les produits Best sont libres de tout vice de matériau ou de fabrication pour une période d'un an à compter de la date d'achat originale. CETTE GARANTIE NE COMPORTE AUCUNE AUTRE GARANTIE, EXPRESSE OU TACITE, Y COMPRIS, MAIS SANS S'Y LIMITER, LES GARANTIES TACITES DE VALEUR MARCHANDE OU D'ADAPTATION À UN USAGE PARTICULIER.

Durant cette période d'un an, Broan-NuTone réparera ou remplacera gratuitement, à sa discrétion, tout produit ou toute pièce jugés défectueux dans des conditions normales d'utilisation.

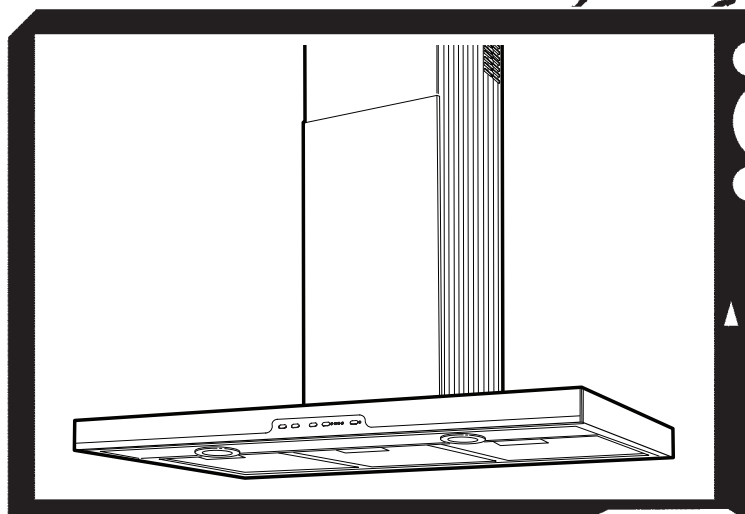
CETTE GARANTIE NE S'APPLIQUE PAS AUX TUBES FLUORESCENTS ET AUX DÉMARREURS, NI AUX AMPOULES HALOGÈNES OU INCANDESCENTES, FUSIBLES, FILTRES, CONDUITS, CAPUCHONS DE TOIT, CAPUCHONS MURAUX ET AUTRES ACCESSOIRES POUR CONDUITS. Cette garantie ne couvre pas (a) les frais d'entretien ou de service normaux ni (b) tout produit ou toute pièce soumis à un abus, une négligence, un accident, un entretien ou une réparation inadéquats (autres que ceux effectués par Broan-NuTone), une mauvaise installation ou une installation contraire aux instructions recommandées.

La durée de toute garantie tacite est limitée à la période d'un an stipulée pour la garantie expresse. Certains territoires ou provinces interdisant de limiter la durée d'une garantie tacite, la limitation ci-dessus peut ne pas s'appliquer à votre situation. L'OBLIGATION POUR BROAN-NUTONE DE RÉPARER OU DE REMPLACER LE PRODUIT, À SA DISCRÉTION, CONSTITUE LE SEUL RECOURS DE L'ACHETEUR EN VERTU DE LA PRÉSENTE GARANTIE. BROAN-NUTONE NE PEUT ÊTRE TENUE RESPONSABLE DES DOMMAGES INDIRECTS OU CONSÉCUTIFS NI DES DOMMAGES-INTÉRÊTS PARTICULIERS DÉCOULANT DE L'UTILISATION OU DU RENDEMENT DU PRODUIT. Certains territoires ou provinces ne permettant pas la limitation ou l'exclusion des dommages indirects ou consécutifs, la limitation ci-dessus peut ne pas s'appliquer à votre situation.

La présente garantie vous confère des droits spécifiques reconnus par la loi. D'autres droits pourraient également vous être accordés selon la législation locale en vigueur. La présente garantie remplace toutes les autres garanties précédentes. Pour vous prévaloir de cette garantie, vous devez (a) aviser Broan-NuTone à l'adresse ou au numéro de téléphone indiqués ci-dessous, (b) donner le numéro de modèle du produit et le numéro d'identification de la pièce et (c) décrire la nature de la défectuosité du produit ou de la pièce. Lors de votre demande de garantie, vous devez présenter une preuve de la date d'achat originale.

Aux États-Unis - Best®, 926 W. State Street, Hartford, Wisconsin 53027 (800-558-1711)
Au Canada - Best®, 550, boulevard Lemire, Drummondville, QC J2C 7W9 (866-737-7770)
www.BestRangeHoods.com

best®



Serie WC34

ENGLISH.....	1
FRANÇAIS.....	24
ESPAÑOL.....	47

En EE.UU. - BEST Hartford, Wisconsin
En CANADÁ - BEST Drummondville, QC, Canadá

REGISTRE SU PRODUCTO EN LÍNEA EN: www.BestRangeHoods.com/register
Si desea información adicional, visite www.BestRangeHoods.com

LEA Y CONSERVE ESTAS INSTRUCCIONES

 **INDICADO SOLAMENTE PARA COCINAR EN CASA** 

ADVERTENCIA

PARA REDUCIR EL RIESGO DE INCENDIOS, DESCARGAS ELÉCTRICAS O LESIONES PERSONALES, SIGA LAS SIGUIENTES PRECAUCIONES:

1. Use la unidad solo de la manera indicada por el fabricante. Si tiene preguntas, comuníquese con el fabricante a la dirección o al número telefónico que se incluye en la garantía.
2. Antes de dar servicio o limpiar la unidad, interrumpa el suministro eléctrico en el panel de servicio y bloquee el panel de servicio para evitar que se active accidentalmente la electricidad. Cuando no sea posible bloquear los medios de desconexión del servicio, fije firmemente una señal de advertencia (como una etiqueta) en un lugar visible del panel de servicio.
3. El trabajo de instalación y el cableado eléctrico deben estar a cargo de personal capacitado, de acuerdo con todos los códigos y normas correspondientes, incluidos los códigos y normas de construcción específicos sobre protección contra incendios.
4. Es necesario suficiente aire para que se lleve a cabo una combustión y una extracción adecuadas de los gases a través del tubo de humos (chimenea) del equipo quemador de combustible, con el fin de evitar el contratiro. Siga las directrices y las normas de seguridad del fabricante del equipo de calefacción, como las publicadas por la Asociación Nacional de Protección contra Incendios (National Fire Protection Association, NFPA), y la Sociedad Americana de Ingenieros en Calefacción, Refrigeración y Aire Acondicionado (American Society for Heating, Refrigeration and Air Conditioning Engineers, ASHRAE), y las autoridades de los códigos locales.
5. Al cortar o perforar a través de la pared o del cielo raso, tenga cuidado de no dañar el cableado eléctrico ni otros servicios ocultos.
6. Los ventiladores con conductos siempre deben ventearse hacia el exterior.
7. No use esta unidad junto con ningún dispositivo separado de estado sólido para el control de la velocidad.
8. Para reducir el riesgo de incendio, use solamente conductos metálicos.

INSTRUCCIONES PARA LA PUESTA A TIERRA

Este aparato debe estar conectado a tierra. En caso de un corto circuito eléctrico, la puesta a tierra reduce el riesgo de una descarga eléctrica al suministrar un cable de escape para la corriente eléctrica. Este aparato está equipado con un cordón que tiene un cable con una clavija a tierra. La clavija debe conectarse a un tomacorriente que esté instalado y conectado a tierra adecuadamente.

ADVERTENCIA: Una instalación inadecuada a tierra puede tener el riesgo de una descarga eléctrica. Consulte a un electricista calificado si no se entienden totalmente las instrucciones de puesta a tierra, o si tiene alguna duda en cuanto a la conexión a tierra apropiada del aparato.

No utilice una extensión eléctrica. Si el cable de la fuente de alimentación es demasiado corto, solicite a un electricista calificado que instale una toma eléctrica cerca del aparato.

ADVERTENCIA

PARA REDUCIR EL RIESGO DE INCENDIO PROVOCADO POR GRASA PRESENTE EN LA ESTUFA:

- A. Nunca deje desatendidas las unidades de la superficie cuando estén en ajustes altos de calor. Los alimentos en ebullición provocan derrames grasosos y con humo que se pueden incendiar. Caliente el aceite lentamente en ajustes de calor bajo o medio.
- B. Siempre ENCIENDA la campana cuando esté cocinando a altas temperaturas o flamee alimentos (por ejemplo crepas Suzette, cerezas Jubilee, bistec con pimienta flameado).
- C. Limpie frecuentemente los ventiladores. No permita la acumulación de grasa en el ventilador ni en el filtro.
- D. Use una cacerola del tamaño adecuado. Siempre use utensilios de cocina que sean apropiados para el tamaño del elemento de la superficie.

PARA REDUCIR EL RIESGO DE LESIONES A LAS PERSONAS EN CASO DE UN INCENDIO PRODUCIDO POR GRASA EN UNA ESTUFA, OBSERVE LO SIGUIENTE*:

1. APAGUE LAS LLAMAS con una tapa de ajuste exacto, una charola para galletas o una bandeja de metal, y después apague el quemador. PROCEDA CON CUIDADO PARA EVITAR QUEMADURAS. Si las llamas no se apagan inmediatamente, EVACUE EL ÁREA Y LLAME A LOS BOMBEROS.
2. NUNCA LEVANTE UNA CACEROLA INCENDIADA porque podría ocasionarse quemaduras.
3. NO TRATE DE APAGAR EL FUEGO CON AGUA ni con trapos o toallas de cocina mojados, pues ocasionará una explosión violenta de vapor.
4. Use un extintor SOLO si:
 - A. El extintor es de Clase ABC y usted sabe cómo hacerlo funcionar.
 - B. El incendio es pequeño y está confinado al área en la que se inició.
 - C. Se está llamando al Departamento de Bomberos.
 - D. Puede combatir el incendio teniendo la espalda orientada hacia una salida.

* Basado en "Kitchen Fire Safety Tips" (Sugerencias para la seguridad contra incendios en la cocina) publicado por NFPA.

PRECAUCIÓN

1. Solo debe usarse bajo techo.
2. Para reducir el riesgo de incendio y para descargar adecuadamente el aire, asegúrese de dirigir el aire hacia el exterior. No descargue el aire en espacios contenidos entre paredes o cielos rasos, ni en áticos, sótanos bajos ni en la cochera.
3. Tenga cuidado cuando use agentes de limpieza o detergentes.
4. Evite usar bajo la campana de la estufa productos alimenticios que produzcan llamas.
5. Solo para usarse como medio de ventilación general. No debe usarse para la extracción de materiales o vapores peligrosos o explosivos.
6. Para evitar daños a los cojinetes del motor y rotores ruidosos o desbalanceados, mantenga la unidad de potencia protegida contra rociados de yeso, polvos de construcción, etc.
7. Este motor de campana tiene una protección contra sobrecargas térmicas que automáticamente apagará el motor en caso de sobrecalentamiento. El motor reanudará su funcionamiento cuando se enfríe. Si el motor continúa apagándose y encendiéndose, solicite servicio para la campana.
8. Para capturar mejor las impurezas producidas al cocinar, la parte inferior de la campana debe estar a una altura mínima de 24 pulg. (61 cm) y máxima de 30 pulg. (76.2 cm) sobre la superficie de cocinado. Consulte el apartado "Instalación del soporte de montaje" para ver las restricciones de montaje.
9. Se recomienda que dos personas hagan la instalación debido al gran tamaño y peso de esta campana.
10. Este producto está equipado con un termostato que podría iniciar automáticamente el funcionamiento del ventilador. Para reducir el riesgo de lesiones personales y para evitar que la electricidad sea reanudada accidentalmente, interrumpa el suministro eléctrico en el panel de servicio o bloquee o rote este panel.
11. Lea la etiqueta de especificaciones del producto para ver información y requisitos adicionales.
12. Para reducir el riesgo de incendio y descarga eléctrica, instale esta campana solamente con los modelos de ventilador para exterior Best EB6, EB9, EB12 o EB15 o los modelos de ventilador en línea Best ILB3, ILB6, ILB9 o ILB11. No se pueden utilizar otros ventiladores. Los ventiladores se venden por separado.

FUNCIONAMIENTO

Controles

La campana se opera usando los (5) botones que se ubican en el borde frontal de la campana. Fig. 1.

Los botones **Light On/Off** encienden y apagan las luces.

El botón **Blower Off / -** disminuye la velocidad del ventilador cada vez que se presiona. Para apagar el ventilador, presione y sostenga el botón durante 2 segundos.

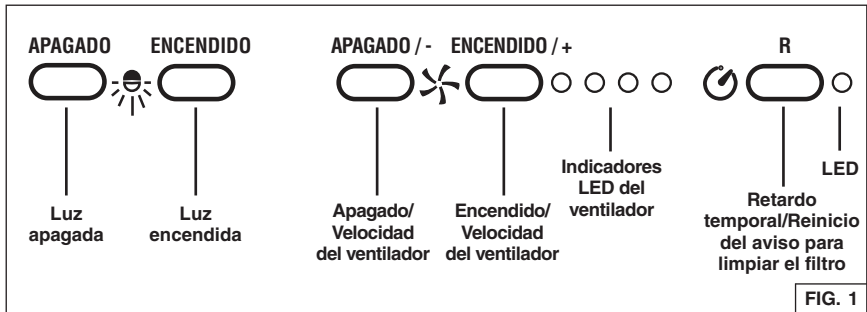
El botón **Blower On / +** enciende el ventilador y aumenta su velocidad cada vez que se presiona. Tiene cuatro ajustes de velocidad diferente: baja, media-baja, media-alta y alta.

Los **indicadores LED del ventilador** se encienden para indicar la velocidad del ventilador seleccionada.

El botón **Delay** activa la función de apagado de retardo. Al presionarlo con el ventilador encendido, el ventilador continuará funcionando a la velocidad presente durante 10 minutos antes de apagarse automáticamente. El **LED** (a la derecha) destella durante el funcionamiento.

El **LED** (a la derecha) también se utiliza como recordatorio para limpiar el filtro. Destellará a partir de las 30 horas de funcionamiento (para indicar que es necesario limpiar los filtros).

El botón **Filter Clean Reset** sirve para reiniciar el temporizador de 30 horas del filtro. Para restablecer el temporizador del filtro limpia después de los filtros de limpieza y sustitución: Pulse el botón una vez, mientras que el LED parpadea.



Función de apagado automático

Si el ventilador y/o las luces están encendidas continuamente 10 horas sin que el usuario interactúe con los controles, la campana se apagará automáticamente. Presione cualquier botón de control para reactivar la campana.

Termostato HEAT SENTRY™

La campana está equipada con un termostato HEAT SENTRY™. Este termostato es un dispositivo que encenderá el ventilador o aumentará su velocidad si detecta un calor excesivo sobre la superficie de cocinado.

- 1) Si el ventilador está APAGADO: ENCIENDE el ventilador a ALTA velocidad.
- 2) Si el ventilador está ENCENDIDO a una velocidad menor: pone el ventilador a ALTA velocidad. Cuando la temperatura disminuye a valores normales, el ventilador regresa a su posición original.

ADVERTENCIA

El termostato HEAT SENTRY puede activar el ventilador aunque la campana esté APAGADA. Cuando esto ocurre, es imposible APAGAR el ventilador con el interruptor. Si debe apagar el ventilador, hágalo desde el panel eléctrico principal.

LÁMPARAS LED

La campana cuenta con lámparas LED que no requieren mantenimiento.

LIMPIEZA Y MANTENIMIENTO

El mantenimiento correcto de la campana de la estufa asegurará el funcionamiento adecuado de la unidad.

Motor

El motor está permanentemente lubricado y nunca necesitará ponerle aceite. Si los cojinetes del motor están haciendo ruido excesivo o inusual, reemplace el motor con el motor de servicio exacto. También debe reemplazar el impulsor.

Filtro de grasa

El filtro de grasa se debe limpiar con frecuencia, con una solución tibia de detergente y agua. El filtro de grasa se puede lavar en el lavaplatos.

Limpie los filtros completamente metálicos en el lavaplatos con un detergente sin fosfatos. El filtro se puede decolorar si se utilizan detergentes con fosfatos o como resultado de la condición del agua local, pero esto no afectará el desempeño del filtro. Esta decoloración no está cubierta por la garantía.

Consulte la sección "INSTALACIÓN DE LOS FILTROS" para ver las instrucciones de instalación y desmontaje.

Filtro de recirculación para sistemas sin conductos

El filtro de recirculación para sistemas sin conductos se debe cambiar cada 6 meses. Cámbielo con más frecuencia si su estilo de cocinar genera más grasa, como al freír y al cocinar en una sartén china de cuenco redondo. Consulte la sección "INSTALACIÓN DE LOS FILTROS" para ver las instrucciones de instalación y desmontaje.

Limpieza del acero inoxidable

COSAS QUE PUEDE HACER:

- Regularmente, lave con una tela o trapo limpio remojado con agua tibia y jabón o detergente líquido para platos.
- Siempre limpie en la dirección de las líneas originales de pulido.
- Siempre enjuague bien con agua limpia (2 o 3 veces) después de la limpieza. Séquelo por completo.
- También puede usar un limpiador casero especializado para acero inoxidable.

COSAS QUE NO DEBE HACER:

- Usar lana de acero o acero inoxidable ni algún otro tipo de raspador para quitar mugre difícil de sacar.
- Usar limpiadores fuertes ni abrasivos.
- Dejar que se acumule la mugre.
- Dejar que el polvo forme plastas ni que quede en la campana algún otro residuo de la construcción. Durante la construcción o la renovación, cubra la campana para estar seguro de que el polvo no se pegue a la superficie de acero inoxidable.

Evite: Al elegir un detergente

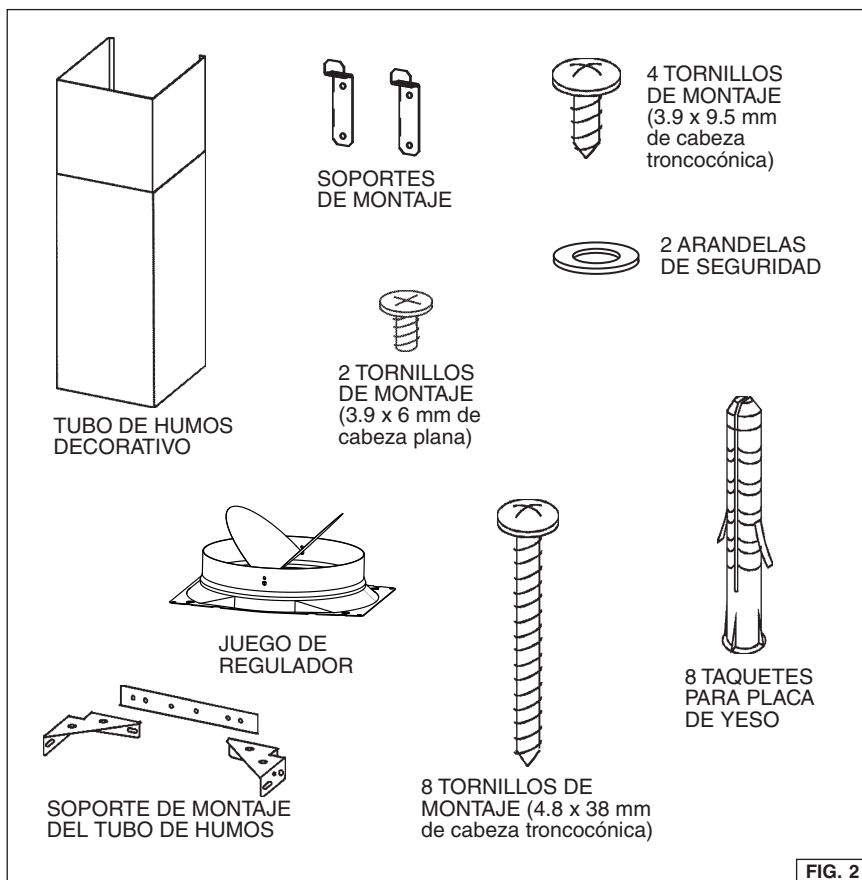
- Todo limpiador que contenga blanqueador, pues atacará al acero inoxidable.
- Todo producto que contenga: cloruro, fluoruro, yoduro, bromuro, pues deteriorará las superficies rápidamente.
- Todo producto combustible utilizado para la limpieza, como acetona, alcohol, éter, benzol, etc., pues son altamente explosivos y nunca se deben usar cerca de una estufa.

PREPARE LA CAMPANA

Desempaque la campana y revise el contenido del paquete.

Debe contener lo siguiente:

- 1 - Campana
- 1 - Conjunto del tubo de humos decorativo
- 1 - Bolsa de piezas con:
 - 2 - Soporte de montaje
 - 1 - Juego de regulador
 - 1 - Conjunto de soporte de montaje del tubo de humos
 - 8 - Tornillos de montaje (de cabeza troncocónica de 4.8 x 38 mm),
 - 4 - Tornillos de montaje (de cabeza troncocónica de 3.9 x 9.5 mm)
 - 2 - Tornillos de montaje (cabeza plana de 3.9 x 6 mm),
 - 8 - Taquetes para placa de yeso,
 - 2 - Arandelas de seguridad
- 1 - Instrucciones de instalación



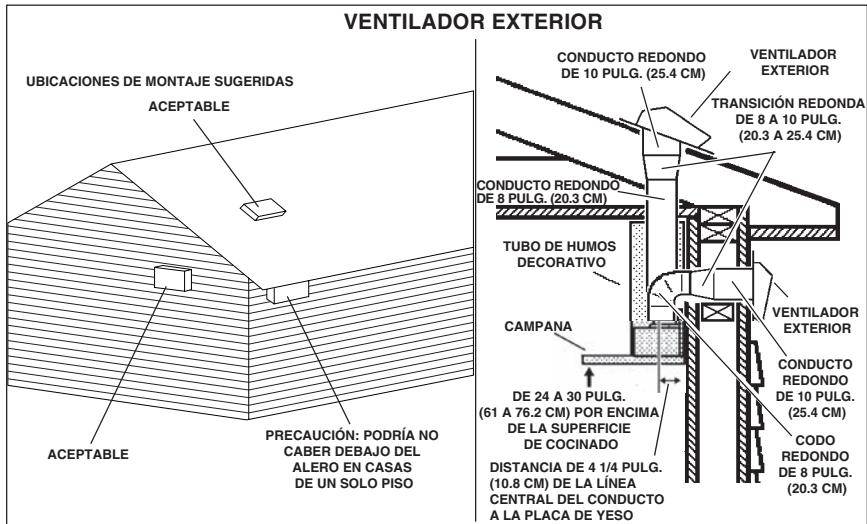
SELECCIÓN DE VENTILADOR EXTERIOR O EN LÍNEA (WC34E)

PRECAUCIÓN: Con esta campana puede usar un ventilador exterior o en línea. La campana debe instalarse únicamente con los modelos de ventilador EB6, EB9, EB12, EB15, ILB3, ILB6, ILB9 o ILB11. No se pueden sustituir otros ventiladores (los ventiladores se venden por separado).

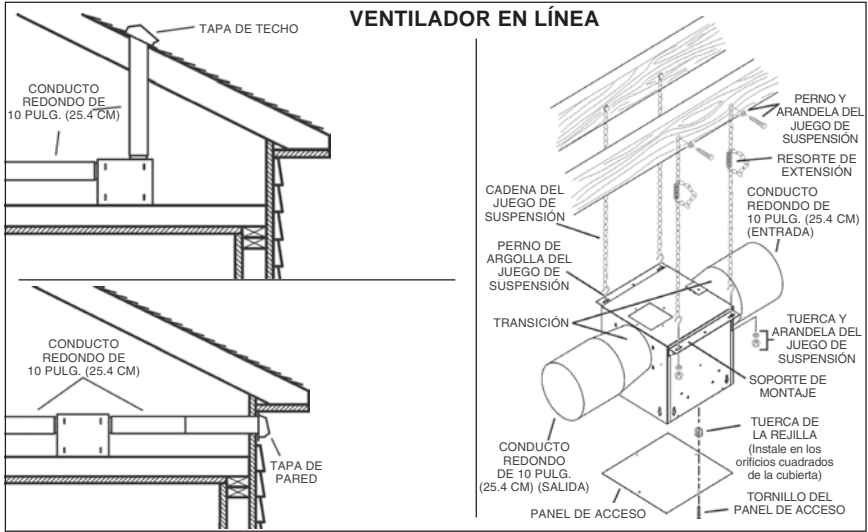
INSTALACIÓN DEL SISTEMA DE CONDUCTOS

NOTA: Para reducir el riesgo de incendio, use solamente conductos metálicos.

1. Elija la ubicación para el montaje del ventilador exterior o en línea. En las ilustraciones de abajo se muestran sugerencias y restricciones para la ubicación del montaje.
2. Un conducto recto y corto permitirá que la campana funcione más eficientemente.
3. Los tramos largos de conductos, codos y transiciones reducirán el desempeño de la campana. Use tan pocos de ellos como sea posible. Es posible que se requieran conductos más grandes para un mejor funcionamiento con tramos largos de conductos.
4. Una vez instalado el ventilador exterior o en línea, conecte el conducto metálico redondo y trabaje hacia atrás, hacia la ubicación de la campana. Use cinta para conductos para sellar las uniones entre las secciones de conductos.
5. Se requiere una transición redonda de 8 a 10 pulg. (20.3 a 25.4 cm) (modelo 414). Para lograr el mejor rendimiento del aire, instale la transición tan cerca de la campana como sea posible.



VENTILADOR EN LÍNEA

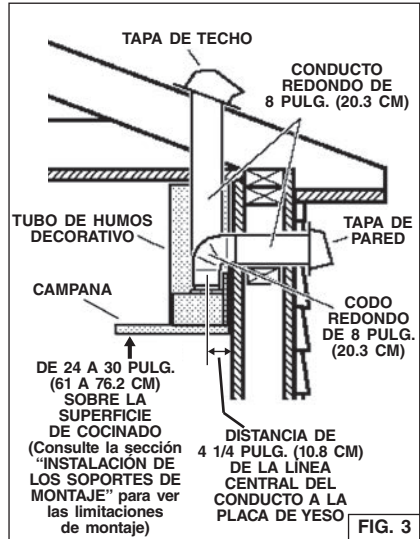


INSTALACIÓN DEL SISTEMA DE CONDUCTOS

SOLO CAMPANAS CON CONDUCTOS

PRECAUCIÓN: Para reducir el riesgo de incendio, use solamente conductos metálicos.

1. Decida dónde instalará el conducto entre la campana y el exterior. Fig. 3.
2. Un conducto recto y corto permitirá que la campana funcione más eficientemente.
3. Los tramos largos de conductos, codos y transiciones reducirán el rendimiento de la campana. Use tan pocos de ellos como sea posible. Es posible que se requieran conductos más grandes para un mejor funcionamiento con tramos más largos de conductos.
4. Instale una tapa de techo o una tapa de pared. Conecte un conducto metálico redondo en la tapa y trabaje hacia atrás, hacia la ubicación de la campana. Use cinta para conductos para sellar las uniones entre las secciones de conductos.

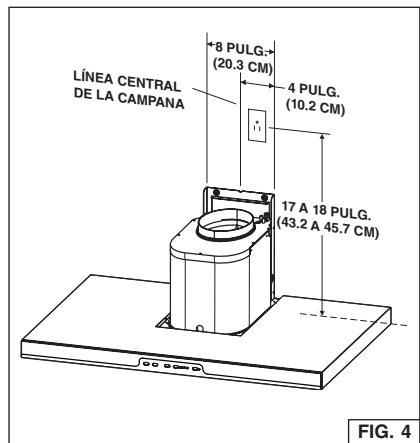


INSTALACIÓN ELÉCTRICA

CAMPANAS CON y SIN CONDUCTOS

⚠️ ADVERTENCIA: Una o más personas calificadas deben realizar el trabajo de cableado eléctrico, de acuerdo con todos los códigos y normas correspondientes. Esta campana debe estar adecuadamente conectada a tierra. Interrumpa la energía eléctrica a la entrada de servicio antes de comenzar el cableado.

1. Planifique la ubicación de la campana sobre la superficie de la estufa. Consulte la sección "INSTALACIÓN DEL SOPORTE DE MONTAJE" para ver las opciones de la altura de montaje de la campana.
2. Instale una caja estándar de tomacorriente de pared de 2 x 4 pulg. (5.1 x 10.2 cm) y un receptáculo de 3 hojas de 125 V y 15 A con conexión a tierra. Fig. 5.
3. Monte el centro del tomacorriente de pared de 17 a 18 pulg. (43.2 a 45.7 cm) por encima de la parte inferior de la campana.
4. Ubique la caja y el receptáculo dentro de los límites mostrados y fuera de la línea central de los conductos (a fin de dejar espacio para el enchufe del cable de alimentación y el tubo de humos).



CONEXIONES ELÉCTRICAS DEL VENTILADOR EXTERNO

Conexión del ventilador en la campana: (Fig. 5)

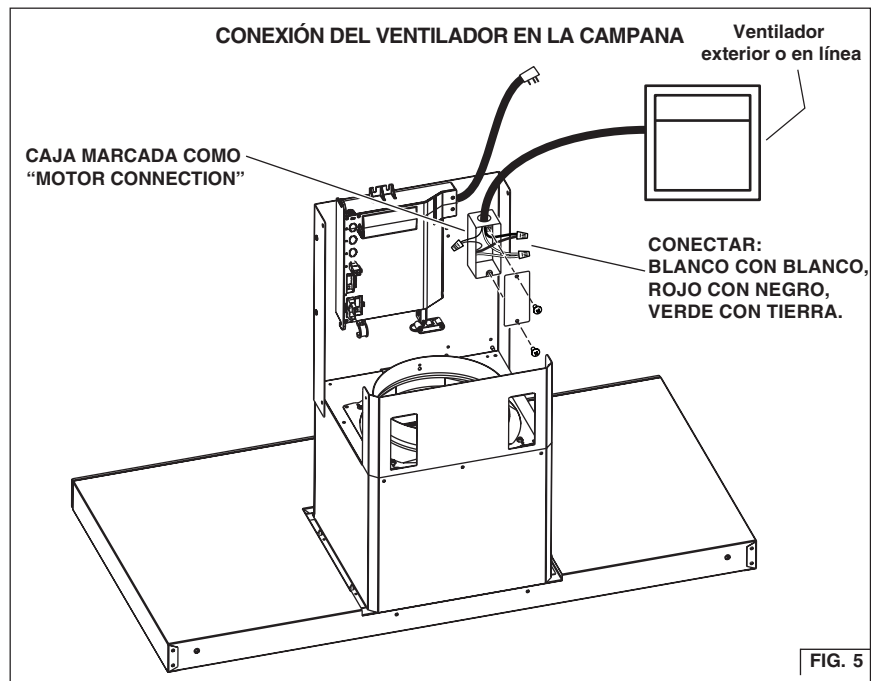
1. Tienda un cable eléctrico de dos hilos y conexión a tierra desde el ventilador exterior o en línea hasta la caja de cableado marcada como “motor connection” (“conexión del motor”).
2. Quite la cubierta de la caja de cableada y retire un agujero ciego.
3. Haga pasar 6 pulg. (15.2 cm) de cable a través de la abertura ciega y asegure el cable a la caja de conexiones con un conector apropiado.
4. Haga las conexiones eléctricas en la campana. Conecte blanco con blanco, **rojo con negro** y verde con tierra.
5. Vuelva a colocar la cubierta de la caja de conexiones y los tornillos. Asegúrese de que los cables no queden atrapados entre la cubierta y la caja.

Conexión del ventilador exterior o en línea:

1. Haga las conexiones eléctricas en el ventilador exterior o en línea (consulte las instrucciones incluidas con el ventilador).

Conexión de energía eléctrica en la campana:

1. Enchufe el cordón eléctrico en el receptáculo eléctrico de la pared.



INSTALACIÓN DE LOS SOPORTES DE MONTAJE

CAMPANAS CON y SIN CONDUCTOS

- Construya un bastidor de **madera** en la pared que quede al ras de la superficie interior de los montantes de pared. Fig. 6. Asegúrese de que:
 - El bastidor esté centrado en el lugar de la instalación.
 - La altura del bastidor permita fijar los **soportes de montaje** en el bastidor dentro de las dimensiones mostradas.
- Después de terminar la superficie de la pared**, asegure los soportes de montaje a la estructura con (4) tornillos de montaje de 4.8 x 38 mm. Vea la ubicación del soporte de montaje en la tabla que aparece abajo. **No use taquetes para placa de yeso.**

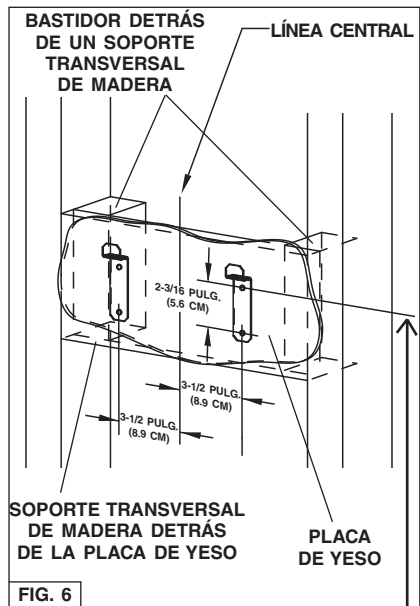


FIG. 6

ALTURA DEL CIELO RASO	CONFIGURACIÓN	DISTANCIA MAYOR DE 36 PULG. (91 CM) DE LA CAMPANA A LA SUPERFICIE DE LA ESTUFA (vea la nota a continuación)						
		24 pulg. (61 cm)	25 pulg. (63.5 cm)	26 pulg. (66 cm)	27 pulg. (68.6 cm)	28 pulg. (71.1 cm)	29 pulg. (73.7 cm)	30 pulg. (76.2 cm)
UBICACIÓN DEL ORIFICIO CENTRAL DEL SOPORTE DE MONTAJE POR ENCIMA DE 36 PULG. (91 CM) SOBRE LA SUPERFICIE DE LA ESTUFA								
8 PIES (244 CM)	CON CONDUCTOS	38 pulg. (96.5 cm)	39 pulg. (99.1 cm)	40 pulg. (101.6 cm)	41 pulg. (104.1 cm)	42 pulg. (106.7 cm)	43 pulg. (109.2 cm)	44 pulg. (111.8 cm)
	SIN CONDUCTOS	38 pulg. (96.5 cm)	39 pulg. (99.1 cm)	40 pulg. (101.6 cm)	41 pulg. (104.1 cm)	42 pulg. (106.7 cm)	43 pulg. (109.2 cm)	44 pulg. (111.8 cm)
9 PIES (274 CM)	CON CONDUCTOS	38 pulg. (96.5 cm)*	39 pulg. (99.1 cm)*	40 pulg. (101.6 cm)*	41 pulg. (104.1 cm)	42 pulg. (106.7 cm)	43 pulg. (109.2 cm)	44 pulg. (111.8 cm)
	SIN CONDUCTOS	38 pulg. (96.5 cm)	39 pulg. (99.1 cm)	40 pulg. (101.6 cm)	41 pulg. (104.1 cm)	42 pulg. (106.7 cm)	43 pulg. (109.2 cm)	44 pulg. (111.8 cm)
10 PIES (305 CM) (vea la nota b)	CON CONDUCTOS	38 pulg. (96.5 cm)*	39 pulg. (99.1 cm)*	40 pulg. (101.6 cm)	41 pulg. (104.1 cm)	42 pulg. (106.7 cm)	43 pulg. (109.2 cm)	44 pulg. (111.8 cm)
	SIN CONDUCTOS	38 pulg. (96.5 cm)	39 pulg. (99.1 cm)	40 pulg. (101.6 cm)	41 pulg. (104.1 cm)	42 pulg. (106.7 cm)	43 pulg. (109.2 cm)	44 pulg. (111.8 cm)
11 PIES (335 CM) (vea las notas a y b)	CON CONDUCTOS					42 pulg. (106.7 cm)	43 pulg. (109.2 cm)	44 pulg. (111.8 cm)
	SIN CONDUCTOS					42 pulg. (106.7 cm)	43 pulg. (109.2 cm)	44 pulg. (111.8 cm)

* Posible altura de la instalación; sin embargo, quedarán expuestas las ranuras del filtro sin conductos.

Notas:

- La distancia mínima de la campana sobre la superficie de la estufa no debe ser menor de 24 pulg. (61 cm). Se recomienda enfáticamente una distancia máxima de 30 pulg. (76.2 cm) sobre la superficie de la estufa para la mejor captura de las impurezas resultantes del cocinado. Las distancias mayores de 30 pulg. (76.2 cm) se dejan a criterio de la persona que hace la instalación y del usuario, y si la altura del cielo raso y la longitud del tubo de humos lo permiten.
- Requiere una extensión opcional del tubo de humos de 10 pies (305 cm), el modelo con conductos AEWC345IQSB o el modelo sin conductos AEWC345IQSBN.

INSTALACIÓN DEL SOPORTE DE MONTAJE DEL TUBO DE HUMOS

CAMPANAS CON Y SIN CONDUCTOS

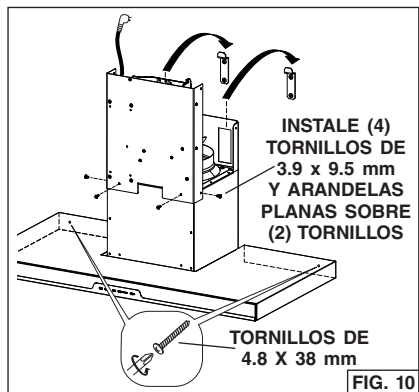
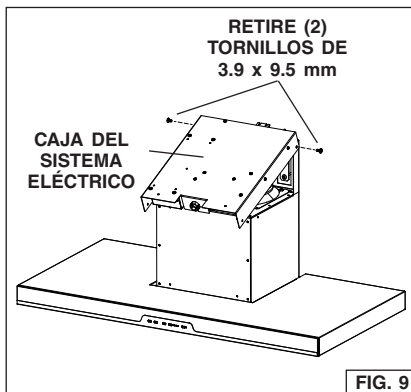
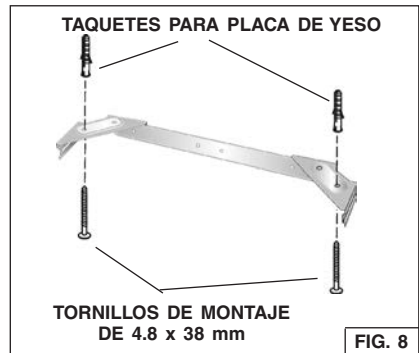
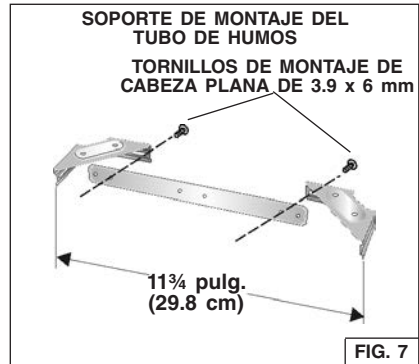
1. Monte el soporte de montaje del tubo de humos, ajustando el ancho exterior como se muestra. Fig. 7.
2. Centre **cuidadosamente** el soporte de montaje directamente sobre la ubicación de la campana de la estufa.
3. Fije el conjunto del soporte en el cielo raso usando (2) tornillos de montaje de 4.8 x 38 mm y taquetes para placa de yeso. Fig. 8. Asegúrese de que el soporte quede presionado sobre la esquina, pegado contra la pared y centrado sobre la campana.

INSTALACIÓN DE LA CAMPANA

Nota: Antes de realizar la instalación final, retire la película protectora de plástico de todas las superficies exteriores, tubos de humos decorativos y filtros. Quite los filtros. (Consulte la sección "Instalación de los filtros".)

INSTALACIÓN CON CONDUCTOS Y SIN CONDUCTOS

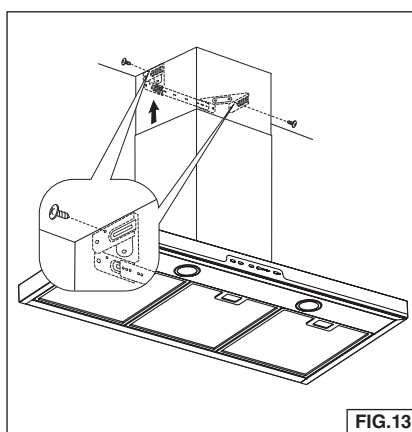
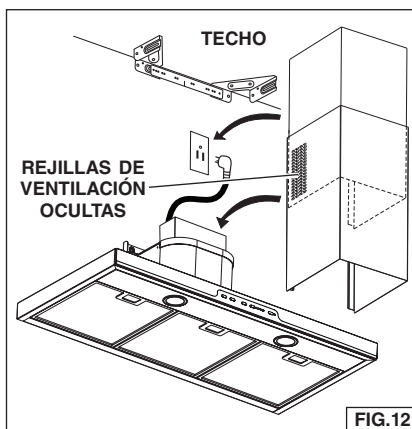
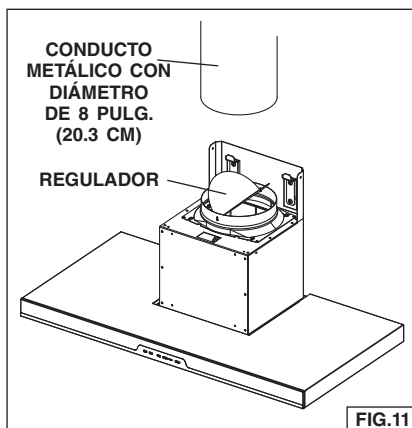
1. Retire la caja del sistema eléctrico del bastidor de la chimenea quitando (2) tornillos de 3.9 x 9.5 mm. Fig. 9.
2. Fije la caja del sistema eléctrico al bastidor usando (2) tornillos de 3.9 x 9.5 mm que quitó en el Paso 1 y (2) tornillos de 3.9 x 9.5 mm y (2) arandelas planas de la bolsa de herrajes.
3. Instale la campana en los soportes de montaje de pared. Fig. 10. Ajuste los tornillos de nivelación en los soportes de montaje para nivelar la campana con el piso.
4. Marque e instale (2) tornillos adicionales, tal como se ilustra. Use taquetes para panel de yeso solamente si fuera necesario.



ÚNICAMENTE EN INSTALACIONES CON CONDUCTOS

Nota: Las habitaciones con cielo raso de 10 pies (305 cm) requieren la extensión del tubo de humos modelo AEWC345IQSB, disponible en la concesionaria de su localidad. Deseche el tubo de humos superior (incluido con la campana) y reemplácelo con la extensión de tubo de humos más larga.

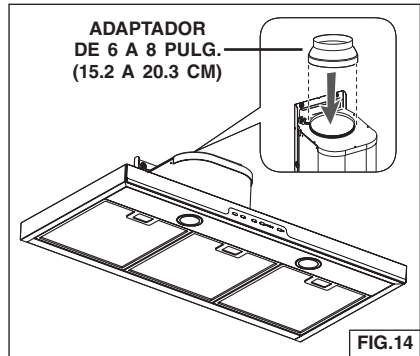
1. Retire la cinta protectora de la salida del ventilador antes de instalar el regulador a la campana con (4) tornillos suministrados y aplique cinta para conductos de aluminio a las uniones. Fig. 11.
2. Tienda un conducto metálico de 8 pulg. (20.3 cm) de diámetro hasta el sitio exterior.
3. Instale una tapa para pared o techo apropiada, con el regulador de tiro, para extraer el aire hacia el exterior.
4. Una todas las uniones con cinta de aluminio para conductos.
5. Conecte el cable eléctrico en el tomacorriente.
6. Instale el tubo de humos decorativo superior e inferior en la campana de la estufa. Fig. 12.
 - Las rejillas de ventilación quedan ocultas en techos de 8 pies (244 cm).
 - Las rejillas de ventilación quedan expuestas en techos de 9 pies (274 cm).
7. Asegure el tubo de humos superior al soporte de montaje del tubo con (2) tornillos de 3.9 x 6 mm. Fig. 13.



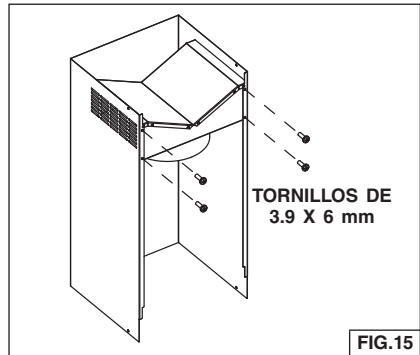
ÚNICAMENTE EN INSTALACIONES SIN CONDUCTOS

Nota:

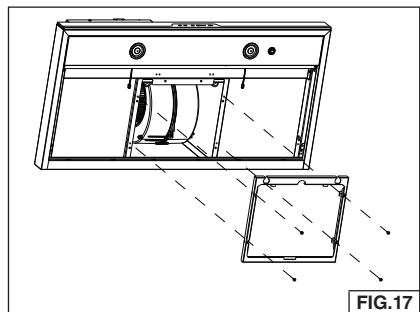
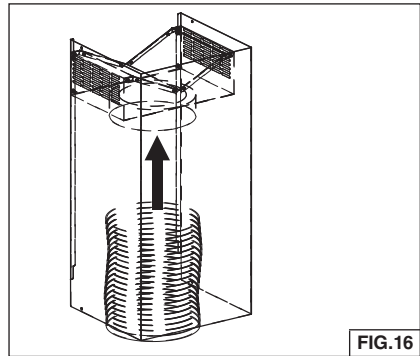
- a. Compre el juego de recirculación ANKWC345 sin conductos con su concesionario local.
- b. Las habitaciones con cielo raso de 10 pies (305 cm) requieren la extensión del tubo de humos modelo AEW345IQSB, disponible en la concesionaria de su localidad. Deseche el tubo de humos superior (incluido con la campana) y reemplácelo con la extensión de tubo de humos más larga.



1. Retire la cinta protectora de la salida del ventilador antes de instalar el regulador a la campana con (4) tornillos suministrados y aplique cinta para conductos de aluminio a las uniones. Vea la Fig. 11.
2. Fije el adaptador de 6 a 8 pulg. (15.2 a 20.3 cm) a la descarga del ventilador y aplique cinta para conductos de aluminio a las uniones. Fig. 14.
3. Instale el pleno a la parte superior del tubo de humos decorativo usando (4) tornillos de 3.4 x 15 mm suministrados, como se ilustra. Fig. 15.



4. Fije un conducto expansible de 6 pulg. (15.2 cm) al pleno y aplique cinta para conductos de aluminio a las uniones. Fig. 16.
5. Fije el bastidor para filtro sin conductos usando (4) tornillos de 3.9 x 6 mm. Fig. 17.



6. Asegure juntos temporalmente el tubo de humos superior e inferior con cinta para conductos, como se muestra. Fig. 18.
7. Levante el tubo de humos a su posición. Asegure el tubo de humos superior al soporte de montaje del tubo con (2) tornillos de 3.9 x 6 mm. Fig. 19.
8. Estire el conducto expansible, conéctelo al adaptador de 6 a 8 pulg. (15.2 a 20.3 cm) y aplique cinta para conductos en las uniones. Fig. 20.
9. Conecte el cable eléctrico en el tomacorriente.
10. Quite la cinta de los tubos de humos y baje en posición sobre la campana. Fig. 21.

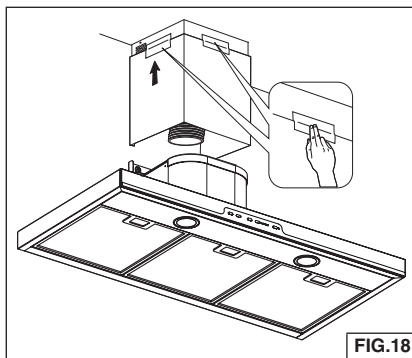


FIG.18

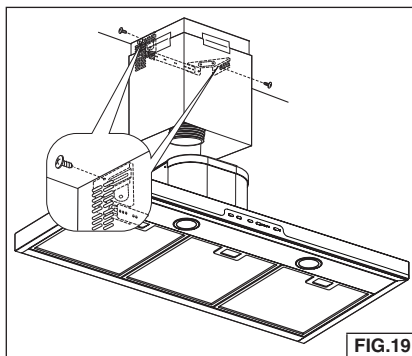


FIG.19

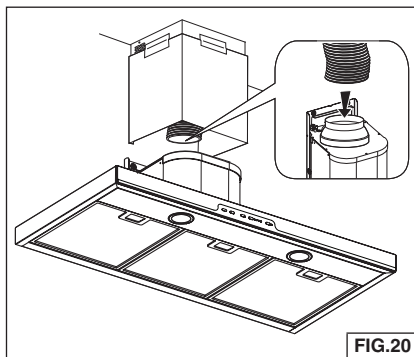


FIG.20

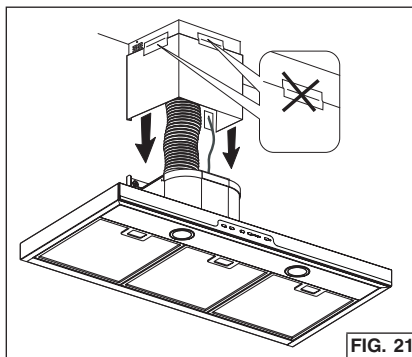


FIG. 21

INSTALACIÓN DE FILTROS

CAMPANAS CON Y SIN CONDUCTOS

1. Para quitar el filtro de GRASA, empuje la lengüeta de cierre para desacoplar el filtro de la campana. Incline el filtro hacia abajo y quítelo. Fig. 22.
2. Para instalar el filtro de GRASA, alinee las lengüetas posteriores del filtro con las ranuras de la campana. Empuje hacia abajo la lengüeta de cierre, presione el filtro en su posición y suelte. Asegúrese de que el filtro esté firmemente acoplado después de su instalación. Fig. 22.

NOTA: Antes de utilizar este producto, despegue la película protectora del bastidor del filtro.

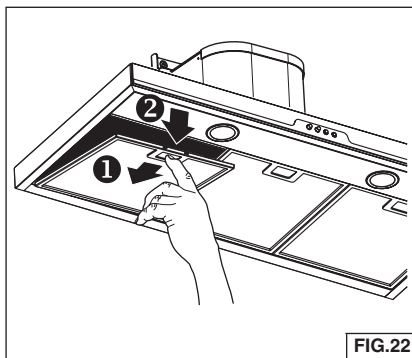


FIG.22

SOLO CAMPANAS PARA SISTEMAS SIN CONDUCTO

1. Para quitar el filtro de CARBÓN, sujete y empuje la pestaña del filtro hacia la parte de atrás de la campana. Estire el filtro hacia abajo para desacoplar las pestañas posteriores del filtro. Fig. 23.
2. Para instalar el filtro de CARBÓN, alinee el filtro en la abertura rectangular. Empuje el filtro contra los resortes en la parte posterior de la campana y presione en su lugar. Asegúrese de que el filtro esté firmemente instalado después de la instalación.
3. Instale el filtro de GRASA después de haber instalado el filtro de carbón.
4. El modelo de reemplazo del filtro de carbón es AFCWC345.



FIG.23

CALIBRE EL VENTILADOR IQ™ (WC34IQ)

SOLO UNIDADES CON CONDUCTOS DE VENTILADOR INTERNO

Después de instalar y cablear la campana, active el proceso de calibración (nuestra tecnología de sistema de desempeño garantizado, para asegurar que se suministre el flujo de aire nominal total). Antes de la calibración, asegúrese de que todos los filtros, bombillas de luz y el sistema de conductos estén instalados.

PROCESO DE CALIBRACIÓN Fig. 24.

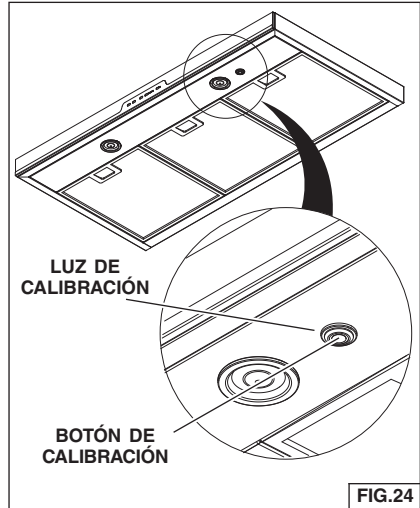
Sostenga el botón de calibración 3 segundos; el botón se encenderá y estará así hasta por 13 minutos. El ventilador arrancará y comenzará el proceso de calibración. Cuando se termine la calibración, ocurrirá una de dos cosas:

1. El ventilador se apaga y la luz del botón de calibración permanece encendida = Calibración exitosa. Presione el botón para apagar la luz LED. Nota: La luz LED también se apagará si selecciona alguna velocidad del ventilador en el control.
2. El ventilador se apaga y el botón de calibración destella continuamente = Demasiada restricción en los conductos impide que el ventilador IQ™ obtenga el flujo de aire nominal. El ventilador se configura automáticamente en su intensidad máxima.

NOTA: Elementos comunes que provocan restricciones: el alerón del regulador está restringido (regulador de contratiro, tapa de pared, tapa de techo), demasiados codos, tamaño de conducto menor del 80% de salida de la campana, mala transición, uso de conductos flexibles y/o conductos aplastados.

Hay disponibles tres opciones si el sistema de campana tiene demasiada restricción:

1. Aceptar el flujo de aire como está.
 - a. Presione el botón de calibración para aceptar el flujo de aire tal cual. El ventilador IQ™ está configurado ahora en el rendimiento más alto posible. La luz de calibración destellante se apaga. Nota: La luz LED también se apagará si selecciona alguna velocidad del ventilador en el control.



2. Corrija la restricción del conducto, despeje los datos de calibración originales y repita el proceso de calibración.
 - a. Corrija la restricción del conducto.
 - b. Despeje los datos de calibración originales manteniendo presionado el botón de calibración durante 10 segundos. La luz destellará 3 veces para confirmar y la configuración del ventilador regresará a los ajustes predeterminados.
 - c. Repita el proceso de calibración desde el principio.
3. Despeje los datos de calibración para reiniciar la campana a la configuración de fábrica y obtener un rendimiento estándar de alta presión del ventilador.
 - a. Despeje los datos de calibración y reinicie la campana a los ajustes predeterminados de fábrica manteniendo presionado el botón de calibración durante 10 segundos. La luz destellará 3 veces para confirmar y la configuración del ventilador regresará a los ajustes predeterminados.

PROCEDIMIENTO DEL MODO DE PROGRAMACIÓN DEL VENTILADOR EXTERNO (WC34E)

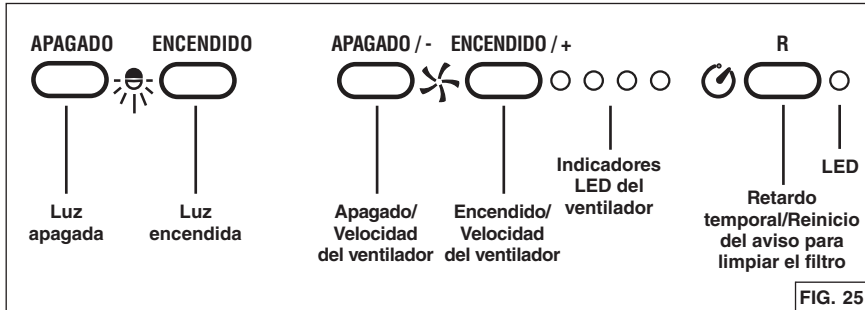


FIG. 25

La campana está diseñada para funcionar con diversos modelos diferentes de ventilador. Antes de usarlo, primero debe programar el control según su modelo de ventilador, con el fin de obtener velocidades de operación adecuadas.

Del cuadro siguiente:

- Encuentre el número de CONFIGURACIÓN que corresponde al modelo de ventilador instalado con su campana.
- El control está preconfigurado de fábrica en la CONFIGURACIÓN 3. Si su modelo de ventilador se encuentra en CONFIGURACIÓN 3, no se requiere programación y la campana está lista para usarse.

	CONFIGURACIÓN 1	CONFIGURACIÓN 2	CONFIGURACIÓN 3 (predeterminada)
NÚMERO DE MODELO DE VENTILADOR	EB6 ILB3 ILB6	EB12 EB15 ILB9	EB9 ILB11

- Para programar modelos de ventilador enumerados en CONFIGURACIÓN 1 y 2:

A) La campana debe tener suministro eléctrico. El ventilador y las luces deben estar apagadas.

B) Presione y mantenga presionados **OFF** y **ON/+** durante 5 segundos. Los **indicadores LED del ventilador** destellarán 3 veces. Luego solamente el **LED** se mantendrá encendido. Después de 1 segundo, los **indicadores LED del ventilador** mostrarán el ajuste actual como sigue:

- ○ ○ ○ CONFIGURACIÓN 1
- ● ● ○ CONFIGURACIÓN 2
- ○ ○ ● CONFIGURACIÓN 3

C) Para seleccionar la CONFIGURACIÓN adecuada: Presione **OFF/-** u **ON/+** para seleccionar la CONFIGURACIÓN deseada.

D) Una vez que se encuentre la CONFIGURACIÓN adecuada: Presione **ON** para memorizar el ajuste o espere 15 segundos, y el programa saldrá automáticamente y guardará la CONFIGURACIÓN.

E) La campana está ahora lista para usar.

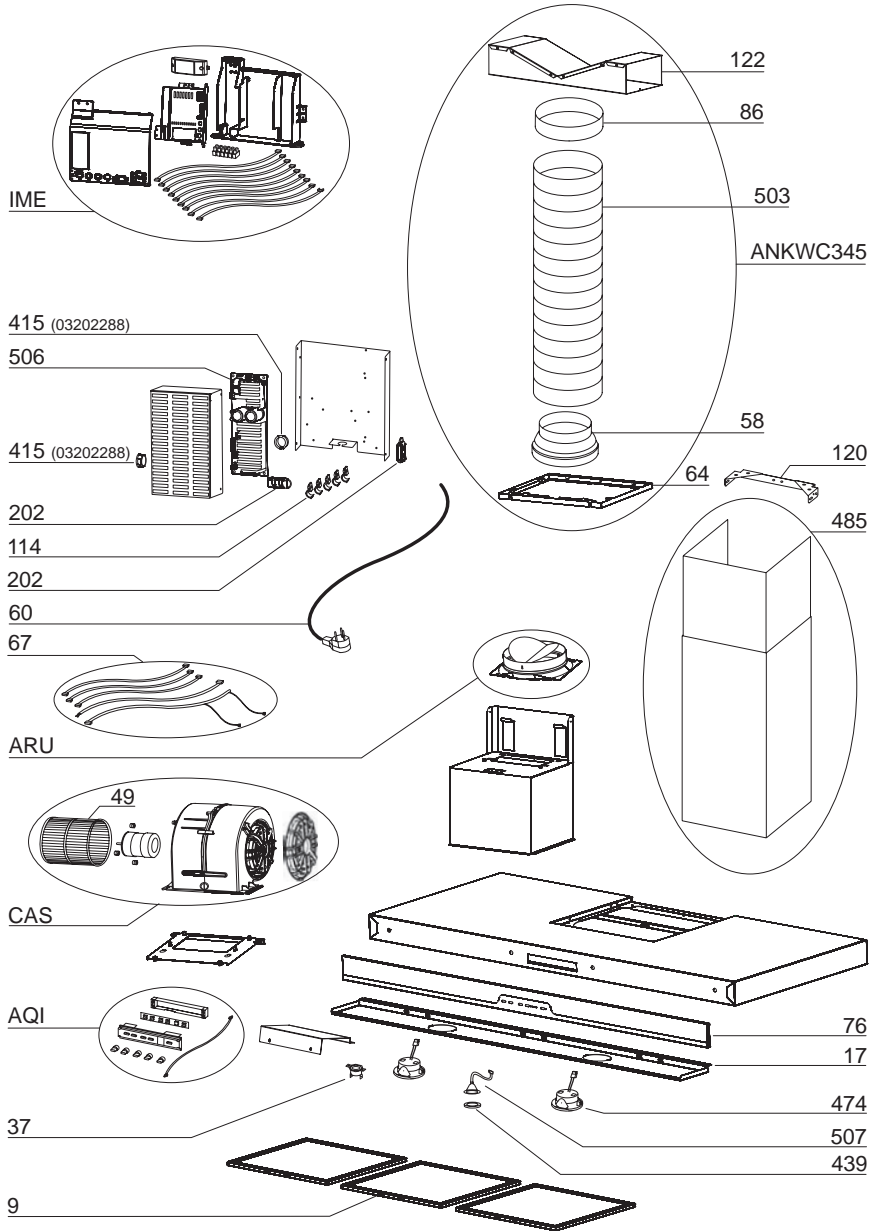
PIEZAS DE SERVICIO

SERIE WC34IQ

CLAVE N.º	DESCRIPCIÓN	N.º DE PIEZA
76	VIDRIO SUPERIOR	03102748
CAS	CONJUNTO DE VENTILADOR	06002259
49	VENTILADOR (EN SENTIDO DE LAS AGUJAS DEL RELOJ)	03295071
IME	CONJUNTO DE INSTALACIÓN ELÉCTRICA	06145222
114	ABRAZADERA DE ALAMBRE	032904990
506	CONTROLADOR BLDC	97019431
67	CABLES	06102592
202	TOPE DEL REFLECTOR	03292290
415	GUÍA DE CABLE	03202288
60	CABLE DE ALIMENTACIÓN	02300249
507	BOTÓN DE CALIBRACIÓN DE CONJUNTO	06102584
439	ANILLO DE TOPE	02320034
37	PERILLA	02300804
474	LÁMPARA LED	08093413
AQI	CONJUNTO DE LA CAJA DEL INTERRUPTOR	06102594
17	SOPORTE DEL DIFUSOR DE LUZ	E3351891
9	FILTRO DE GRASA	08087825
ARU	JUEGO DE SALIDA DE AIRE DE CONEXIÓN	080810849
485	JUEGO DE CONDUCTO TELESCÓPICO	08016368
120	SOPORTE SUPERIOR DEL CONDUCTO TELESCÓPICO	08091851
ANKWC345	JUEGO DE FILTROS SIN CONDUCTO	08999175
58	REDUCTOR DE 8 A 6 PULG. (20.3 CM A 15.2 CM)	03294170
503	CONDUCTO EXPANSIBLE DE 6 PULG. (15.2 CM)	02011557
86	ANILLO ADAPTADOR DE 6 PULG. (15.2 CM)	032292300
122	PLENO PARA SISTEMAS SIN CONDUCTOS	08093478
64	MARCO DE FILTRO SIN CONDUCTOS	08093447
	FILTRO NO CONDUCTO	08999176
	BOLSA DE ACCESORIOS	080810993

PIEZAS DE SERVICIO

SERIE WC34IQ



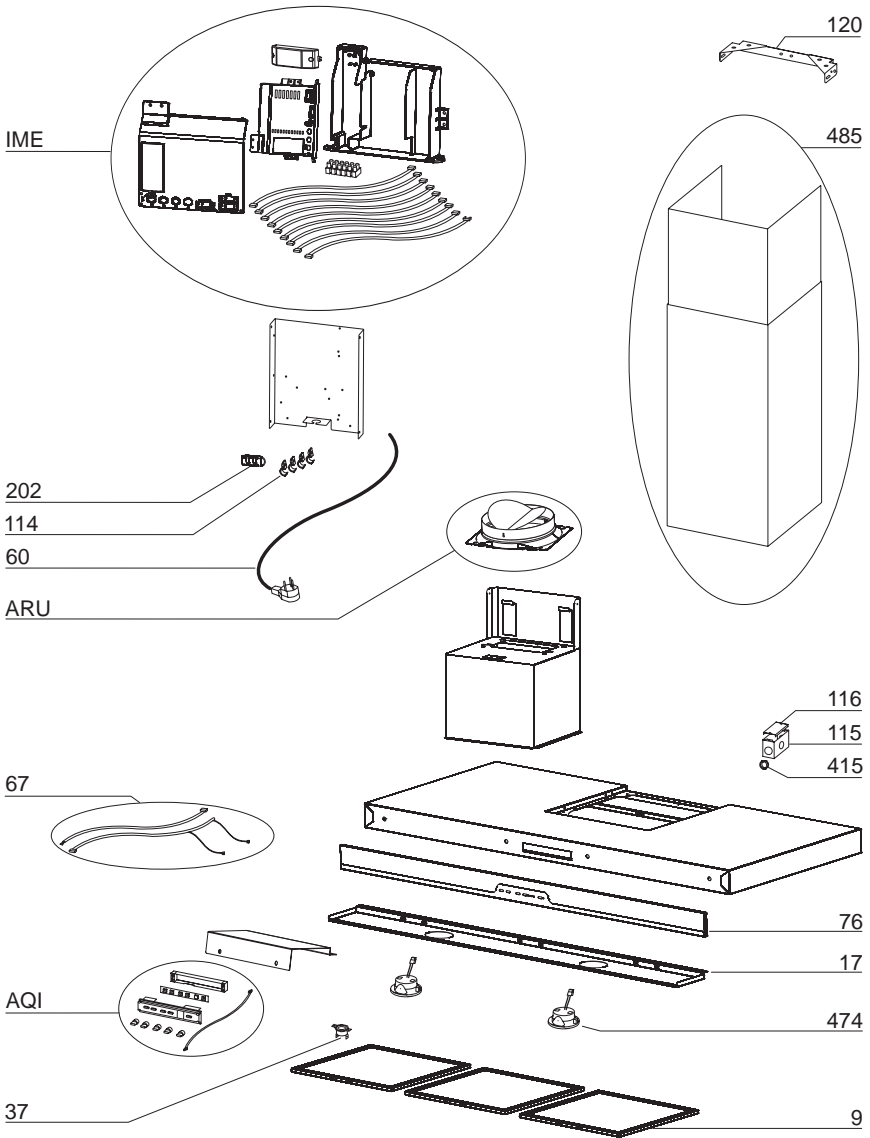
PIEZAS DE SERVICIO

SERIE WC34E

CLAVE N.º	DESCRIPCIÓN	N.º DE PIEZA
76	VIDRIO SUPERIOR	03102748
IME	CONJUNTO DE INSTALACIÓN ELÉCTRICA	06145223
166	TABLERO DE CIRCUITOS ELÉCTRICOS IMPRESOS	08080877
145	CAJA DE CONEXIÓN DEL CABLE DE ALIMENTACIÓN	032920170
147	PINZA DE UNIÓN	R2300132
146	CUBIERTA DE LA CAJA DE CONEXIÓN DEL CABLE DE ALIMENTACIÓN	03292180
151	TOPE DE CABLES DE LA CAJA ELÉCTRICA	032920200
114	ABRAZADERA DE ALAMBRE	032904990
67	CABLES	06102593
60	CABLE DE ALIMENTACIÓN	02300249
37	PERILLA	02300804
114	CABLES	032904990
474	LÁMPARA LED	08093413
AQI	CONJUNTO DE LA CAJA DEL INTERRUPTOR	06102595
17	SOPORTE DEL DIFUSOR DE LUZ	E3351891
9	FILTRO DE GRASA	08087825
ARU	JUEGO DE SALIDA DE AIRE DE CONEXIÓN	080810849
485	JUEGO DE CONDUCTO TELESCÓPICO	08016368
120	SUPORTE SUPERIOR DEL CONDUCTO TELESCÓPICO	08091851
	BOLSA DE ACCESORIOS	080810993

PIEZAS DE SERVICIO

SERIE WC34E



GARANTÍA

GARANTÍA LIMITADA DE UN AÑO PARA LOS PRODUCTOS BEST

Broan-NuTone LLC (Broan-NuTone) garantiza al consumidor comprador original de los productos BEST que tales productos estarán libres de defectos en materiales o mano de obra durante un período de un año a partir de la fecha de la compra original. NO EXISTEN OTRAS GARANTÍAS, EXPRESAS NI IMPLÍCITAS, INCLUIDAS, ENTRE OTRAS, GARANTÍAS IMPLÍCITAS DE COMERCIALIZACIÓN O IDONEIDAD PARA UN PROPÓSITO PARTICULAR.

Durante este período de un año, Broan-NuTone, a su criterio, reparará o reemplazará sin cargo alguno cualquier pieza o producto que se encuentre defectuoso bajo condiciones normales de uso y servicio.

LA PRESENTE GARANTÍA NO CUBRE ARRANCADORES DE LÁMPARAS FLUORESCENTES, TUBOS, BOMBILLAS HALÓGENAS E INCANDESCENTES, FUSIBLES, FILTROS, CONDUCTOS, TAPAS DE TECHO O DE PARED Y DEMÁS ACCESORIOS DE CANALIZACIÓN. Esta garantía no cubre (a) mantenimiento y servicio normales, ni (b) ningún producto o piezas que se hayan sometido a uso inadecuado, negligencia, accidente, mantenimiento o reparación inadecuada (no hecha por Broan-NuTone), instalación incorrecta o instalación en contra de las instrucciones de instalación recomendadas.

La duración de cualquier garantía implícita se limita a un período de un año, como se especifica en la garantía expresa. Algunos estados no permiten limitaciones en cuanto al tiempo de vencimiento de una garantía implícita, por lo que la limitación antes mencionada podría no aplicarse a usted.

LA OBLIGACIÓN DE BROAN-NUTONE DE REPARAR O REEMPLAZAR, A CRITERIO DE BROAN-NUTONE, SERÁ EL ÚNICO Y EXCLUSIVO RECURSO DEL COMPRADOR BAJO ESTA GARANTÍA. BROAN-NUTONE NO SERÁ RESPONSABLE POR DAÑOS INCIDENTALES, RESULTANTES O ESPECIALES QUE SURJAN DEL USO O DESEMPEÑO DEL PRODUCTO O EN RELACIÓN CON EL MISMO. Algunos estados no permiten la exclusión o limitación de daños incidentales o resultantes, por lo que la limitación antes mencionada podría no aplicarse a usted.

Esta garantía le otorga derechos legales específicos, y usted podría tener otros derechos que varían de un estado a otro. Esta garantía sustituye a todas las garantías anteriores.

Para tener derecho al servicio de la garantía, usted debe (a) notificar a Broan-NuTone a la dirección y número de teléfono que aparecen abajo, (b) proporcionar el número de modelo y la identificación de la pieza y (c) describir la naturaleza de cualquier defecto en el producto o pieza. En el momento de solicitar el servicio cubierto por la garantía, debe presentar un comprobante de la fecha de compra original.

En EE.UU. - Best®, 926 W. State Street, Hartford, WI 53027 (800-558-1711)

En Canadá - Best®, 550 Lemire Blvd., Drummondville, QC J2C 7W9 (866-737-7770)

www.BestRangeHoods.com

