

**KL-650-THX  
KL-525-THX  
KS-525-THX  
KW-120-THX**


**LOUDSPEAKERS**


**OWNER'S MANUAL**




# THX ULTRA2 LOUDSPEAKERS

## IMPORTANT SAFETY INSTRUCTIONS

1. READ these instructions.
2. KEEP these instructions.
3. HEED all warnings.
4. FOLLOW all instructions.
5. DO NOT use this apparatus near water.
6. CLEAN ONLY with dry cloth.
7. DO NOT block any ventilation openings. Install in accordance with the manufacturer's instructions.
8. DO NOT install near any heat sources such as radiators, heat registers, stoves, or other apparatus (including amplifiers) that produce heat.
9. ONLY USE attachments/accessories specified by the manufacturer.
10. USE only with a cart, stand, tripod, bracket, or table specified by the manufacturer, or sold with the apparatus. When a cart is used, use caution when moving the cart/ apparatus combination to avoid injury from tip-over. 
11. DO NOT expose this apparatus to dripping or splashing and ensure that no objects filled with liquids, such as vases, are placed on the apparatus.

 The exclamation point, within an equilateral triangle, is intended to alert the user to the presence of important operating and maintenance (servicing) instructions in the literature accompanying the product.

 The lightning flash with arrowhead symbol within an equilateral triangle is intended to alert the user to the presence of uninsulated "dangerous voltage" within the product's enclosure that may be of sufficient magnitude to constitute a risk of electrical shock to persons.

WARNING: To reduce the risk of fire or electrical shock, do not expose this apparatus to rain or moisture.

WARNING: No naked flame sources – such as candles – should be placed on the product.



WARNING: Do Not Open! Risk of Electrical Shock. Voltages in this equipment are hazardous to life. No user-serviceable parts inside. Refer all servicing to qualified service personnel.

## ABOUT YOUR KLIPSCH PURCHASE

Thank you for your purchase of Klipsch THX® Ultra2™ loudspeakers. After reading this manual and connecting your system, you will hear the results of over 60 years of stringent engineering and class-leading research and development. Like all Klipsch products, your loudspeakers feature Klipsch Tractrix® Horn-loaded Technology— the guiding design for the first Klipschorn® developed in 1946 and for every product that has followed. Horn-loading allows your speakers to deliver high sensitivity, low distortion, flat frequency response and wide dispersion, which translates to unequalled power, detail, and dynamics, the hallmark of "The Klipsch Sound." Please be sure to register your product online at [www.klipsch.com/register](http://www.klipsch.com/register) so we are better able to serve you. Again, thank you for choosing Klipsch and we hope that your speakers bring life to your music and movies for many years.

## UNPACKING

The easiest way to remove the speaker from its carton is to turn the open end of the box down so that it is resting on a table or the floor, with the flaps spread out and away. Then pull the box straight up and off. Remove any packing material from the speaker and grille, place it back in the carton, and store in case you ever need to ship the loudspeaker. Each speaker comes supplied with rubber stick-on feet that should be applied to prevent any damage to either the speaker or the surface on which it is resting (Figure 1).

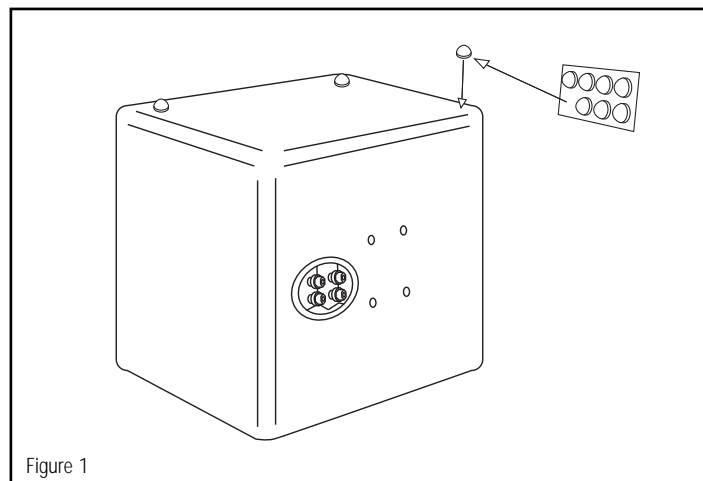


Figure 1

## PLACEMENT

Your THX Ultra2 loudspeakers will achieve optimum performance when located in conformance with THX guidelines, on which the following instructions are based. Don't be discouraged if some compromise is necessary, however, or if modest adjustments will make the system look much better in the room. The speakers are engineered to deliver excellent sound over a relatively wide range of placements within the basic framework of a 5.1-, 6.1-, or 7.1-channel surround-sound installation. This is especially the case for WDST™ (Wide Dispersion Surround Technology) surround speakers, which offer many more practical placement options than conventional designs. In the end, all that matters is what sounds good to you and what works in your home theater.

Before we move on to the specifics, here are some placement considerations that apply universally.

### General Rules

- Front speakers typically sound best when their tweeters are at approximately ear height for seated listeners. If this isn't possible (as it often is not for center-channel speakers), it is sometimes beneficial to tilt the speaker slightly so that it is aimed into the listening area. Surround-channel speakers usually perform best when placed slightly above seated ear level.
- If you are putting speakers in a cabinet, try to bring their fronts out far enough that they are at least flush with the cabinet's front.
- When practical, arrange each speaker so that its woofer is at somewhat different distances from the floor, the wall behind it, and the wall beside it. It can also help to have the left and right front speakers at different distances from their nearest side walls. This sort of staggering helps smooth the bass range.
- Any speaker's bass output and response is strongly influenced by its distance from room boundaries, such as walls and the floor. Moving a speaker closer to a room boundary will increase its bass output, while moving it away will reduce the bass. So you will get maximum bass from a speaker by placing it in a corner and minimum bass by placing it in the center of the room.

### System Configuration

Figure 2 shows a THX-Ultra2 compliant 7.1-channel speaker layout. (Configuration for 5.1 channels is the same minus the surround back loudspeakers behind the listening area.) KL-650-THX or KL-525-THX LCR's are used for front left, center, and right channels. The left and right surrounds are KS-525-THX WDST™ loudspeakers. The surround back speakers are narrowly spaced KL-650-THX or KL-525-THX LCR's. In some installations, it may be preferable to use KS-525-THX's for the surround back channels due to their

smaller size. Their WDST design works very well in this application. Two KW-120-THX subwoofers are necessary to achieve THX Ultra2 maximum output requirements. This specification assumes a very large room, however, and in many installations a single KW-120-THX will be completely adequate. The companion KA-1000-THX subwoofer amplifier can drive either one or two subwoofers. In dual-subwoofer systems, it is usually best to place them right next to each other rather than spaced apart.

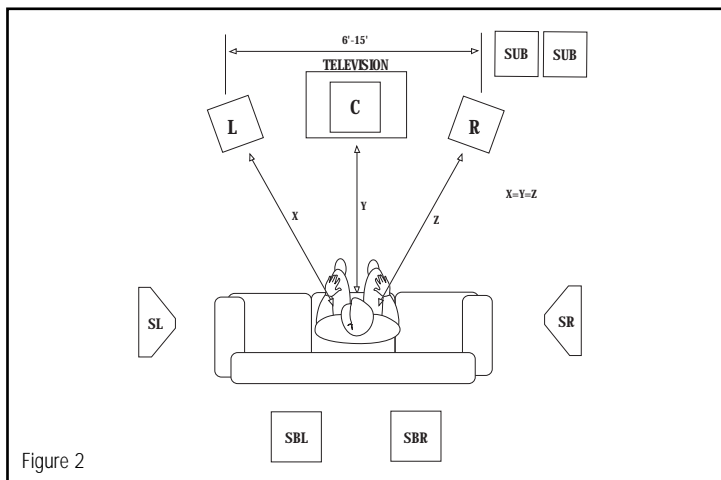


Figure 2

#### Front LCR Loudspeakers

Normally the array would be either all KL-650-THXs or all KL-525-THXs, but the center speaker can be different from the left and right speakers. (For example, you might combine a pair of KL-650-THXs for the front left and right with a KL-525-THX for the center.) The center-channel speaker should be centered along the width of the TV screen, directly above or below it or, in the case of an acoustically transparent front-projection screen, behind it. The left and right speakers should be placed equal distances out from the edges of the TV screen. Exactly how far out depends on the size of the screen. A reasonable starting point is to place the left and right speakers so that they and your listening position form an equilateral triangle. Since the center speaker helps anchor the sound to the screen, it usually is better to have the left and right speakers spread a little too wide than to have them too close together. The left and right speakers should be aimed inward towards the listening position as shown in figure 2. In some installations, it may be desirable to wall-mount the front LCR speakers rather than to put them on stands or in a cabinet. To accommodate this, the KL-650-THX and KL-525-THX are both configured for use with OmniMount® 60.0 Series wall-and ceiling-mount brackets (Figure 3). Refer to the OmniMount manual for detailed installation instructions.

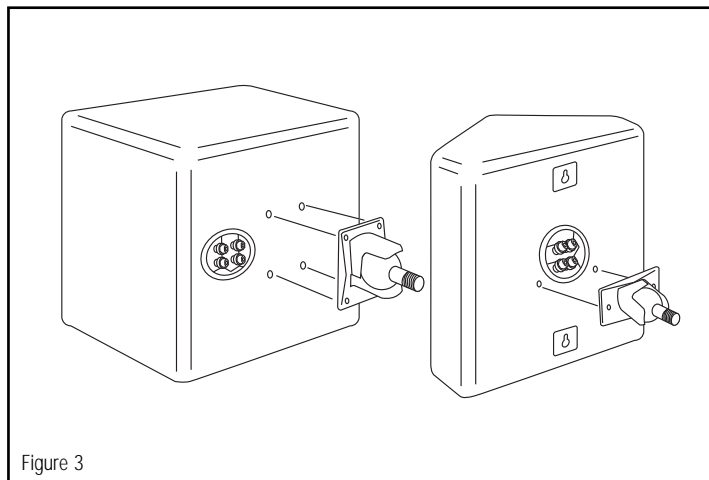


Figure 3

#### Surround Left and Right Loudspeakers

In a 5.1- or 7.1-channel installation, the left and right surround speakers will be KS-525-THX's placed to the sides of the listening area, typically on or against the walls. They should be elevated slightly above seated ear level – five or six feet above the floor is a good target. If desired, the speakers can be moved back along the wall to as much as 20 degrees behind the listening position, especially in a 5.1-channel system. The KS-525-THX's Wide Dispersion Surround Technology design gives you a great deal more latitude if you need it, delivering good results in configurations that depart significantly from the ideal. The KS-525-THX has a

keyhole mount for use in hanging the speaker on the wall. To use the keyhole, all you need is a screw or nail of the appropriate size protruding slightly from the wall. If possible, the nail or screw should be driven into a wall stud; if not, be sure to use appropriate anchors in the drywall or plaster. Additionally, the KS-525-THX is configured for use with OmniMount® 20.0 Series wall-and ceiling-mount brackets (Figure 3). Refer to the OmniMount manual for detailed installation instructions.

#### Surround Back Loudspeakers

In addition to the left and right surrounds, THX Ultra2 7.1-channel system specifications call for two forward-radiating surround back loudspeakers behind the listening area, preferably spaced no more than a few feet apart. These would be KL-650-THX or KL-525-THX LCR's, either placed on stands, or ideally mounted on the back wall. Like the left and right surrounds, they should be slightly above seated ear level – about five to six feet off of the floor. In some installations, it may be preferable to use KS-525-THX's for the surround back channels due to their smaller size. Their WDST design works very well in this application. You will probably want to space the KS-525-THX surround back pair somewhat farther apart than you would the LCR's.

#### Subwoofers

Two KW-120-THX subwoofers and a KA-1000-THX amplifier are required to meet THX Ultra2 maximum output requirements. This specification assumes a very large room, however, and in many installations a single KW-120-THX will be completely adequate. Although the KW-120-THX will perform well in a wide variety of locations, you will get the most out of it by following some simple guidelines:

- Although the subwoofer's orientation is not at all critical, avoid placing the front (driver) side of the cabinet up against a wall.
- The subwoofer's output will increase as it is moved closer to walls, with maximum output when it is placed in a corner. If practical, always place the subwoofer against or near a wall.
- In most rooms, a subwoofer will deliver smoothest bass response when placed in a corner away from room openings, such as doors. So if possible, that's the place to start.
- If you are using more than one subwoofer, you usually will get best performance by placing them together in the same location rather than by spacing them apart.

Naturally, there are exceptions to the general rules, since no two rooms or systems are exactly alike. Once you have the subwoofer connected to your system and adjusted at least roughly (see the KA-1000-THX manual for details), you may want to experiment to see if you can do better.

### CONNECTIONS

Note: Proper connection of your speakers to your amplifier or receiver is vital to obtaining good sound quality. Please follow these directions carefully. Sloppy connections can cause amplifier malfunction or damage.

Klipsch THX Ultra2 loudspeakers are internally wired with multiple gauges of high-purity copper wire, carefully selected and wound to ensure optimum signal transfer at all frequencies. You will obtain best performance from your speakers if you connect them to your amplifier or receiver with similar high quality wire available from your dealer. (The KW-120-THX comes with a 20-foot length of THX Ultra-certified speaker cable terminated in professional-grade connectors that mate with the jacks on the subwoofer and the companion KA-1000-THX amplifier.) At minimum, we recommend that you use 16-gauge or heavier stranded copper wire. Use lower-gauge (heavier) wire for long runs to maintain correct frequency response and minimize power loss.

On the back of each KL-650-THX, KL-525-THX and KS-525-THX speaker are two sets of binding posts, one feeding the tweeter and the other the woofers. For conventional wiring, these sets are connected together with gold-plated metal straps, which can be removed for bi-wiring or biamping. We will explain ordinary single-wiring first and then the alternatives. All the information regarding single-wiring also applies to bi-wiring.

### BUT FIRST: TYPES OF CONNECTORS

**Bare wire.** Pull the two conductors apart for about an inch and strip approximately 1/4-inch of insulation from the end of each. (A wire stripper will simplify this, but you can use an ordinary pocket knife to cut around and through the insulation down to the wire.) Twist the strands of wire on each individual conductor tightly together. Loosen the nuts on a pair

# THX ULTRA2 LOUDSPEAKERS

of binding posts until the holes through the metal posts are exposed, then insert the bare wire through the holes. Screw the nuts down finger-tight on the wire. Make sure that no strands of wire are touching from one binding post to the other or to any strands from the other conductor. Failure to observe this precaution at either end of the connection can result in amplifier malfunction or damage.

**Pins.** Many pre-made speaker cables are terminated with metal pins. Loosen the nuts on a pair of binding posts until the holes through the metal posts are exposed, then insert the pins through the holes. Screw the nuts down finger-tight on the pins — do not overtighten. Make sure that there is no metal-to-metal contact between the two pins or binding posts. Failure to observe this precaution at either end of the connection can result in amplifier malfunction or damage.

**Spade lugs.** Some speaker cables are terminated with U-shaped connectors called spade lugs. Loosen the nuts on a pair of binding posts and slip the spade lugs around the metal posts. Screw the nuts down finger-tight on the lugs and inspect to ensure they have remained firmly in place. Make sure that there is no metal-to-metal contact between the two lugs or binding posts. Failure to observe this precaution at either end of the connection can result in amplifier malfunction or damage.

**Other types of specialty connectors are available to facilitate hooking up your speakers. Please consult your authorized Klipsch dealer for suggestions and further details.**

## SPEAKERS TO AMPLIFIER: KEEPING IT STRAIGHT

One of the most important things about hooking up your speakers is keeping them in the same polarity, or phase. If they are connected out of phase, bass and sound imaging will be degraded.

The easiest way to ensure that your speakers are wired in phase is to always connect the positive and negative output terminals on your amplifier or receiver to the matching input terminals on your speakers: positive (“+”, color-coded red) to positive and negative (“-”, color-coded black) to negative (Figure 4).

Most pre-made speaker cables have color-coded connectors that make it easy to match output and inputs correctly. If yours do not, or if you are making your own out of paired, two-conductor wire, look for identifying marks on the insulation of the two conductors. Normally there will be printing, a stripe or a molded ridge along one of the conductors.

**Bi-wiring** – In bi-wiring, separate cables are connected from the amplifier or receiver output terminals to the speaker input terminals for the tweeter and woofers (Figure 5). This results in lower electrical resistance between the amplifier and speaker than single-wiring with the same gauge cable. In some cases bi-wiring may be preferable to single-wiring with lower-

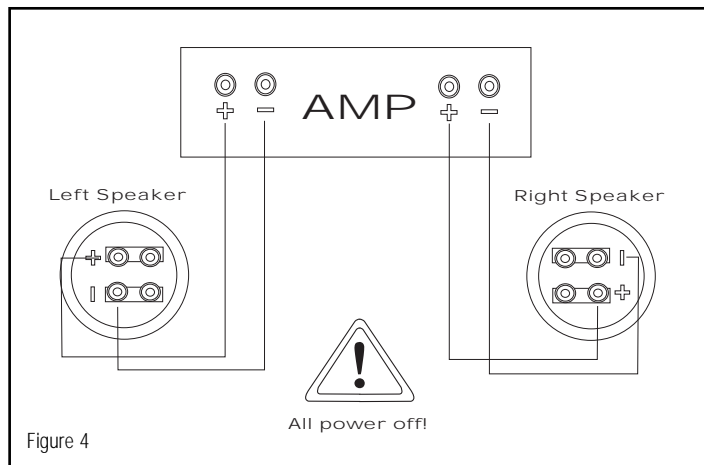


Figure 4

gauge cable, which will be thicker and probably less flexible.

To bi-wire your THX Ultra2 speakers, loosen the nuts on the binding posts and remove the metal straps linking the woofer and tweeter terminals. Observing proper polarity, connect

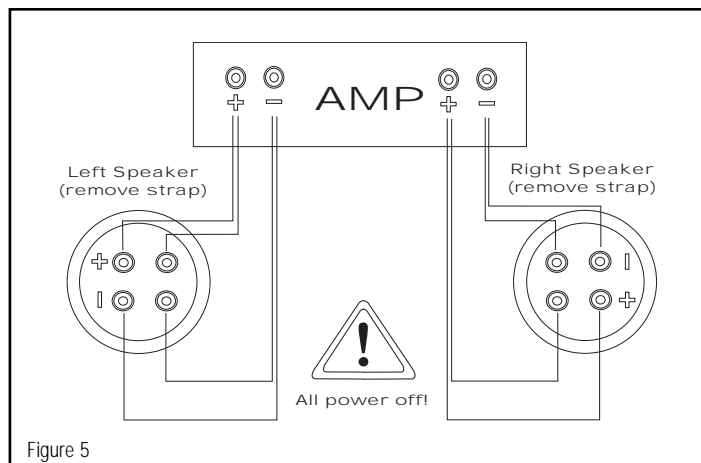


Figure 5

one cable to the tweeter binding posts and another to the woofer binding posts. Run both

cables back to your amplifier or receiver and attach them to the same channel. (Do not, for example, attach one to an A speaker output and the other to a B speaker output on an amplifier or receiver with A/B speaker switching.) Amplifiers may be severely damaged if straps are not removed.

**Biamping** – In biamping, the tweeter and woofers are driven by separate amplifiers fed from the same preamplifier output. We do not recommend biamping any of our speakers, since in general it will produce no benefit that could not be obtained simply by using a single larger amplifier and may cause severe sound degradation if not done properly. If you

do biampify, use the same model amplifier for the tweeter and woofer sections (to prevent frequency-response errors caused by different amplifier gains) and be sure to remove the straps linking the two sets of input terminals on the speaker. Amplifiers may be severely damaged if straps are not removed.

## BASS MANAGEMENT SETTINGS

Surround-sound receivers and processors use what is known as bass management to ensure that low frequencies in the various channels are sent to speakers that can handle them well and away from small speakers that cannot. Klipsch THX Ultra2 loudspeakers are optimized for the THX crossover setting. (Technically, that's an 80Hz crossover with a 12dB/octave high-pass section feeding the amplifiers for the satellite speakers and a 24dB/octave low-pass section feeding the subwoofer amplifier.) All THX-certified receivers and processors incorporate this crossover in their bass-management systems. Non-THX surround-sound components usually have crossovers somewhere from 80 to 100Hz and with slopes of 12 to 24dB/octave. Although the THX crossover is ideal for Klipsch THX Ultra2 speakers, these other crossovers will usually give acceptable results. Regardless, all Klipsch THX Ultra2 LCR and surround loudspeakers should be set to “Small” in your receiver or processor's speaker setup menu.

## CARE AND CLEANING

The only thing you should ever need to do to your speakers is dust them occasionally. Never apply any abrasive or solvent-based cleaner or any harsh detergent. You can clean the grilles with the brush attachment of a vacuum cleaner.

## WARRANTY – U.S. AND CANADA

Klipsch warrants to the original retail purchaser that this product is to be free from defective materials and workmanship for a period of five (5) years, from the date of purchase, if it is properly used and maintained. If this product proves defective in either material or workmanship, Klipsch, at its option, will (a) repair the product, or (b) replace the product, at no charge for parts or labor. If the product model is no longer available and cannot be repaired effectively or replaced with an identical model, Klipsch at its sole option may replace the unit with a current model of equal or greater value. In some cases, modification to the mounting surface may be required where a new model is substituted. Klipsch assumes no responsibility or liability for



such modification. To obtain a repair or replacement under the terms of this warranty, please return to dealer first, if possible, and they will direct you accordingly for repairs or replacement. You will be required to submit a copy of the original receipt.

**Limitations:**

- This limited warranty does not cover failure of the product resulting from improper installation, misuse, abuse, accident, neglect, mishandling, or wear from ordinary use or environmental deterioration.
- This limited warranty does not cover cosmetic damage, including paint damage, or consequential damage to other components or premises which may result for any reason from the failure of the product.
- This limited warranty is null and void for products not used in accordance with Klipsch's instructions.
- This limited warranty is null and void for products with altered or missing serial numbers and for products not purchased from an authorized dealer.
- This limited warranty terminates if you sell or otherwise transfer this product to another party.

THIS WARRANTY GIVES YOU SPECIFIC LEGAL RIGHTS, AND YOU MAY ALSO HAVE OTHER RIGHTS WHICH VARY FROM STATE TO STATE, JURISDICTION TO JURISDICTION OR COUNTRY TO COUNTRY. KLIPSCH'S RESPONSIBILITY FOR MALFUNCTIONS AND DEFECTS IN HARDWARE IS LIMITED TO REPLACEMENT OR REPAIR AS SET FORTH IN THIS WARRANTY STATEMENT. FOR CANADIAN CUSTOMERS, KLIPSCH DISCLAIMS ALL OTHER WARRANTIES AND CONDITIONS, EXPRESS OR IMPLIED, STATUTORY OR OTHERWISE, FOR THE PRODUCT. FOR U.S. CUSTOMERS, ALL EXPRESS AND IMPLIED WARRANTIES FOR THE PRODUCT, INCLUDING BUT NOT LIMITED TO ANY IMPLIED WARRANTIES OF MERCHANTABILITY AND FITNESS FOR A PARTICULAR PURPOSE ARE LIMITED IN TIME TO THE TERM OF THIS WARRANTY. SOME STATES, JURISDICTIONS OR COUNTRIES DO NOT ALLOW THE EXCLUSION OF CERTAIN IMPLIED WARRANTIES OR CONDITIONS, OR LIMITATIONS ON HOW LONG AN IMPLIED WARRANTY OR CONDITIONS LASTS, SO THIS LIMITATION MAY NOT APPLY TO YOU. KLIPSCH DOES NOT ACCEPT LIABILITY FOR SPECIAL, INDIRECT, CONSEQUENTIAL OR INCIDENTAL DAMAGES, INCLUDING WITHOUT LIMITATION, ANY LIABILITY FOR THIRD PARTY CLAIMS AGAINST YOU FOR DAMAGES OR FOR PRODUCTS NOT BEING AVAILABLE FOR USE. THE MAXIMUM LIABILITY FOR WHICH KLIPSCH MAY BE RESPONSIBLE WILL BE NO MORE THAN THE AMOUNT YOU PAID FOR THE PRODUCT THAT IS THE SUBJECT OF THE CLAIM. SOME STATES, JURISDICTIONS OR COUNTRIES DO NOT ALLOW THE EXCLUSION OR LIMITATION OF SPECIAL, INDIRECT, INCIDENTAL OR CONSEQUENTIAL DAMAGES, SO THE ABOVE LIMITATION OR EXCLUSION MAY NOT APPLY TO YOU.

**PRODUCT REGISTRATION BENEFITS**

- Klipsch will keep you up-to-date on new products and promotions
- Klipsch will keep your information for future warranty service
- Your personal information will never be resold

Register your product online at [www.klipsch.com/register](http://www.klipsch.com/register)

**WARRANTY OUTSIDE THE UNITED STATES AND CANADA**

The Warranty on this product if it is sold to a consumer outside of the United States and Canada shall comply with applicable law. To obtain any applicable warranty service, please contact the dealer from which you purchased this product, or the distributor that supplied this product.

THX and Ultra2 are trademarks or registered trademarks of THX LTD. All rights reserved

**EU COMPLIANCE INFORMATION**

Eligible to bear the CE mark, Conforms to European Union EMC Directive 2004/108/EC

**WEEE NOTICE**

Note: This mark applies only to countries within the European Union (EU) and Norway.



This application is labeled in accordance with European Directive 2002/96/EC concerning waste electrical and electronic equipment (WEEE). This label indicates that this product should not be disposed of with household waste. It should be deposited at an appropriate facility to enable recovery and recycling.

# THX ULTRA2 LOUDSPEAKERS

## CONSIGNES DE SÉCURITÉ IMPORTANTES

1. LIRE ces instructions.
2. CONSERVER ces instructions.
3. RESPECTER tous les avertissements.
4. SUIVRE toutes les instructions.
5. NE PAS utiliser cet appareil à proximité de l'eau.
6. NETTOYER UNIQUEMENT avec un chiffon sec.
7. NE PAS OBSTRUER les orifices de ventilation. Installer conformément aux instructions du constructeur.
8. NE PAS installer à proximité de sources de chaleur telles que les radiateurs, les grilles de chauffage, les cuisinières et les autres appareils (notamment les amplificateurs) dégagant de la chaleur.
9. UTILISER UNIQUEMENT les accessoires préconisés par le constructeur.
10. UTILISER exclusivement avec un chariot, un support, un trépied, une console ou un bâti recommandé par le fabricant ou vendu avec l'appareil. Lorsqu'un chariot est utilisé, faire preuve de prudence pour déplacer l'ensemble chariot/appareil afin d'éviter un renversement pouvant causer des blessures.
11. NE PAS exposer cet appareil à des éclaboussures ou des égouttements et veiller à ce qu'aucun récipient rempli de liquide, tel qu'un vase, ne soit posé dessus.



Le point d'exclamation contenu dans un triangle équilatéral avertit l'utilisateur de la présence, dans la documentation qui accompagne l'appareil, de consignes d'utilisation et de maintenance importantes.



L'éclair fléché dans un triangle équilatéral avertit l'utilisateur de la présence d'une « tension dangereuse » non isolée à l'intérieur de l'appareil et d'une valeur suffisante pour constituer un risque de choc électrique.

**AVERTISSEMENT :** Pour réduire les risques d'incendie et d'électrocution, ne pas exposer cet appareil à la pluie ni à l'humidité.

**AVERTISSEMENT :** Ne pas poser sur ce produit de sources de flammes nues telles que des bougies.



Les tensions présentes dans cet appareil peuvent être mortelles. Cet appareil ne contient pas de pièces pouvant être remplacées par l'utilisateur. Tout travail de dépannage doit être confié à un réparateur professionnel compétent.

**ATTENTION :** Ce produit a été conçu pour être alimenté

## ENTRETIEN ET NETTOYAGE

La finition résistante des enceintes ne nécessite qu'un dépoussiérage. Évitez d'utiliser des produits de nettoyage abrasifs ou à base de solvant ainsi que des détergents agressifs. La poussière peut être enlevée de la grille du haut-parleur à l'aide d'une brosse d'aspirateur ou d'un chiffon humide.

## À PROPOS DE VOTRE ACHAT DE PRODUIT KLIPSCH

Merci d'avoir acheté ces enceintes Klipsch THX® Ultra2™. Lorsque vous aurez lu ce manuel et raccordé le système, vous bénéficierez des résultats de plus de 60 ans d'études techniques rigoureuses et d'un programme supérieur de recherche et développement. Comme tous les produits Klipsch, ces enceintes bénéficient de la technologie de haut-parleur à pavillon Klipsch Tractrix® qui a servi de ligne directrice au premier modèle Klipschorn® développé en 1946 et à tous les produits qui ont suivi. Le haut-parleur à pavillon permet aux enceintes d'offrir une

réponse dotée de haute sensibilité, de faible distorsion, de réponse en fréquence uniforme et de large dispersion, ce qui se traduit par une supériorité inégalée du « son Klipsch » au niveau de la puissance, des détails et de la dynamique.

## DÉBALLAGE

La manière la plus simple de retirer l'enceinte de son carton d'emballage est de retourner celui-ci de façon à avoir le côté ouvert posé sur une table ou le sol, avec les rabats bien écartés. Puis enlevez le carton en le tirant vers le haut. Retirez tous les matériaux d'emballage autour de l'enceinte et de la grille et remettez-les dans le carton. Conservez le tout pour une expédition éventuelle future. Chaque enceinte est livrée avec des pieds en caoutchouc qu'il faut mettre en place afin d'éviter tout endommagement de l'enceinte ou de la surface sur laquelle elle est posée (figure 1).

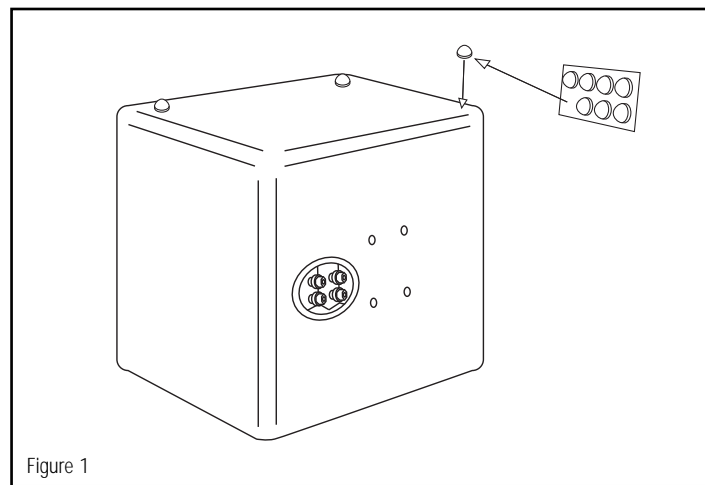


Figure 1

## PLACEMENT

Les enceintes THX Ultra2 offrent un fonctionnement optimal lorsqu'elles sont placées conformément aux directives THX à partir desquelles les présentes instructions ont été définies. Mais ne vous découragez pas si des compromis sont nécessaires ou s'il faut déplacer un peu les composants du système dans la pièce pour des raisons esthétiques. Les enceintes ont été conçues de façon à offrir une excellente qualité sonore pour une assez grande variété d'emplacements dans le cadre d'une installation ambiophonique 5.1, 6.1 ou 7.1 canaux. C'est particulièrement vrai pour les enceintes ambiophoniques WDST™ (Wide Dispersion Surround Technology - technologie ambiophonique à large dispersion) qui offrent bien plus de possibilités de placement que les enceintes conventionnelles. En fin de compte, l'important est que le son vous plaise et convienne à votre système de cinéma-maison. Avant de rentrer dans les détails, voici quelques considérations universelles concernant le placement.

### Règles générales

- Le son des enceintes avant est en général meilleur lorsque les haut-parleurs d'aigus sont à peu près à la hauteur de l'oreille d'un auditeur assis. Si cela n'est pas possible (comme c'est souvent le cas pour les enceintes centrales), il est conseillé d'incliner légèrement l'enceinte de façon à l'orienter vers la zone d'écoute. Le son des enceintes ambiophoniques est en général meilleur lorsqu'elles sont placées légèrement au-dessus du niveau de l'oreille d'un auditeur assis.
- Si vous mettez les enceintes dans un meuble, essayez de les reculer suffisamment pour que leurs faces avant soient alignées sur l'avant du meuble.
- Dans la mesure du possible, disposez chaque enceinte de façon à ce que les distances entre son haut-parleur de graves d'une part, et le sol, le mur arrière et le mur latéral d'autre part, soient légèrement différentes. En outre, il peut être préférable d'avoir les enceintes avant gauche et droite à différentes distances des murs latéraux les plus proches, afin d'améliorer les graves.
- Pour toute enceinte, la restitution des graves est très influencée par la distance entre l'enceinte et les limites de la pièce, notamment les murs et le sol. Le niveau de restitution des graves augmente si vous rapprochez l'enceinte d'un mur et il diminue si vous l'en éloignez. Ainsi, l'intensité de graves la plus forte sera obtenue en plaçant l'enceinte dans un coin, et la plus faible en plaçant l'enceinte au centre de la pièce.



La figure 2 représente un système d'enceintes 7.1 canaux disposées conformément à la norme THX-Ultra2. (La configuration 5.1 canaux est semblable, sans les enceintes ambiophoniques à l'arrière de la zone d'écoute.) Des enceintes de type LCR (Left, Center, Right) KL-650-THX ou KL-525-THX sont utilisées pour les canaux avant gauche, central et droit. Les enceintes ambiophoniques gauche et droite sont des enceintes de type WDST™ KS-525-THX. Les enceintes arrière, de type LCR KL-650-THX ou KL-525-THX, sont proches l'une de l'autre. Dans certaines installations, il peut être préférable d'utiliser des enceintes KS-525-THX pour les canaux ambiophoniques arrière en raison de leur faible encombrement. Leur conception de type WDST convient bien pour cette application. Deux caissons de graves KW-120-THX sont nécessaires pour obtenir la puissance de sortie THX Ultra2 maximale. Ces spécifications sont valables pour une très grande pièce ; dans de nombreuses installations, un seul KW-120-THX convient parfaitement. L'amplificateur d'extrêmes-graves KA-1000-THX peut piloter un ou deux caissons de graves. Dans les systèmes à deux caissons de graves, il est en général préférable de rapprocher ceux-ci au lieu de les écarter.

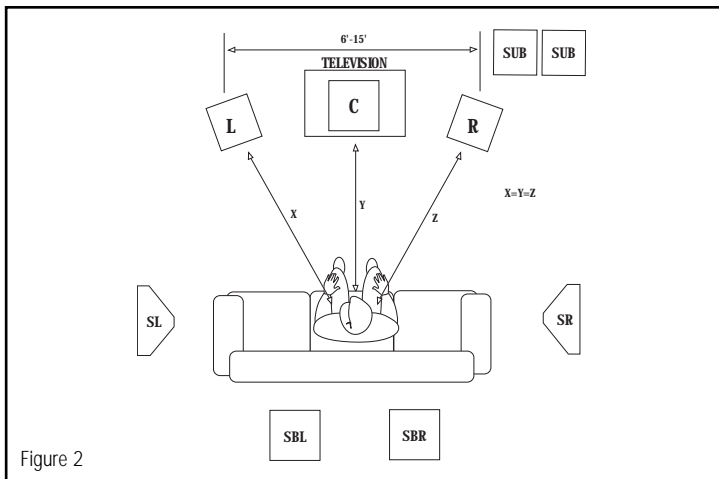


Figure 2

#### Enceintes avant LCR

Normalement, toutes ces enceintes doivent être des KL-650-THX ou des KL-525-THX, mais l'enceinte centrale peut en fait être différente des enceintes gauche et droite. (Vous pouvez par exemple associer une paire d'enceintes avant gauche et droite KL-650-THX avec une enceinte KL-525-THX au centre.) L'enceinte de canal central doit être centrée par rapport à la largeur de l'écran du téléviseur, juste au-dessus ou au-dessous de celui-ci, ou bien derrière, dans le cas d'un écran à projection avant acoustiquement transparent. Les enceintes gauche et droite doivent être placées à égale distance des bords de l'écran du téléviseur. La distance exacte dépend de la taille de l'écran. Un bon point de départ consiste à placer les enceintes gauche et droite de façon à former un triangle équilatéral avec la position d'écoute. Étant donné que l'enceinte centrale aide à ancrer le son au niveau de l'écran, un écart trop important des enceintes gauche et droite est en général préférable à un rapprochement trop serré. Les enceintes gauche et droite doivent être orientées vers la position d'écoute (figure 2). Dans certaines installations, il peut être souhaitable d'accrocher les enceintes avant LCR au mur plutôt que de les poser sur des supports ou dans un meuble. Pour le permettre, les enceintes KL-650-THX et KL-525-THX sont configurées de façon à permettre l'utilisation des équerres de mur ou de plafond OmniMount® 60.0 (voir la figure 3). Vous trouverez des instructions d'installation détaillées dans le mode d'emploi OmniMount.

#### Enceintes ambiophoniques gauche et droite

Dans une installation 5.1 ou 7.1 canaux, les enceintes ambiophoniques gauche et droite sont des KS-525-THX placées sur les côtés de la zone d'écoute, en général sur ou contre les murs. Elles doivent être légèrement surélevées par rapport au niveau de l'oreille de l'auditeur assis, soit à 150 ou 180 centimètres du sol. Si vous le souhaitez, vous pouvez reculer les enceintes le long du mur jusqu'à ce qu'elles forment un angle de 20 degrés en arrière de la position d'écoute, en particulier dans le cas d'un système 5.1 canaux. La technologie ambiophonique à large dispersion de l'enceinte KS-525-THX vous donne beaucoup de latitude si nécessaire, et les résultats obtenus restent bons dans des configurations qui s'écartent fortement de l'idéal. L'enceinte KS-525-THX possède une encoche en trou de serrure permettant de l'accrocher au mur. Pour utiliser cette encoche en trou de serrure, il suffit d'une vis ou d'un clou de taille requise qui dépasse légèrement du mur. Dans la mesure du possible, la vis ou le clou doit être fixé dans un poteau d'ossature murale ; si ce n'est pas le cas, pour les murs en plâtre ou en plaques de plâtre, veillez à utiliser des ancrages adaptés. En outre, l'enceinte KS-525-THX est configurée de façon à permettre l'utilisation des équerres de mur ou de plafond OmniMount® 20.0 (figure 3). Vous trouverez des instructions d'installation détaillées dans le mode d'emploi OmniMount.

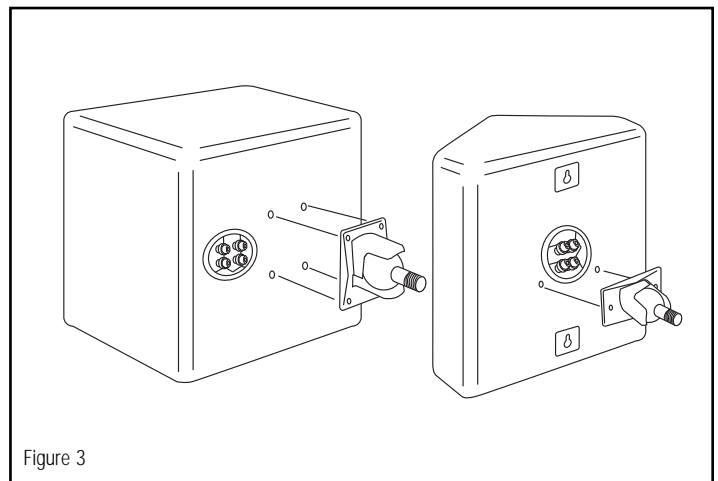


Figure 3

#### Enceintes ambiophoniques arrière

Outre les enceintes ambiophoniques gauche et droite, les spécifications du système 7.1 canaux THX Ultra2 exigent deux enceintes ambiophoniques placées derrière la zone d'écoute et émettant vers l'avant, de préférence écartées de un à deux mètres au maximum. Ces enceintes peuvent être des enceintes de type LCR KL-650-THX ou KL-525-THX, placées sur des supports ou, idéalement, accrochées au mur arrière. Comme les enceintes ambiophoniques gauche et droite, elles doivent être légèrement surélevées par rapport au niveau de l'oreille d'un auditeur assis, soit à 150 ou 180 centimètres du sol. Dans certaines installations, il peut être préférable d'utiliser des enceintes KS-525-THX pour les canaux ambiophoniques arrière en raison de leur faible encombrement. Leur conception de type WDST convient bien pour cette application. Il est conseillé d'écarter les deux enceintes ambiophoniques arrière KS-525-THX un peu plus que les enceintes LCR.

#### Caissons de graves

Deux caissons de graves KW-120-THX et un amplificateur KA-1000-THX sont nécessaires pour obtenir la puissance de sortie THX Ultra2 maximale. Ces spécifications sont valables pour une très grande pièce ; dans de nombreuses installations, un seul KW-120-THX convient parfaitement. Le KW-120-THX offre de bonnes performances dans de nombreuses et diverses positions. Toutefois, vous en tirerez le meilleur en suivant ces directives simples :

- Bien que l'orientation du caisson de graves ne joue pas un rôle essentiel, évitez de placer l'avant (haut-parleur) de l'enceinte contre un mur.
- La puissance émise par le caisson de graves augmente lorsqu'on le rapproche d'un mur et atteint son maximum lorsqu'on le met dans un coin. Dans la mesure du possible, mettez le caisson de graves contre ou près d'un mur.
- Dans la plupart des pièces, la restitution des graves par un caisson est la plus agréable lorsque celui-ci est placé dans un coin à une distance suffisante des portes et autres ouvertures. Si possible, commencez par ce point.
- Lorsque plusieurs caissons de graves sont utilisés, les meilleures performances sont en général obtenues en les mettant ensemble dans la même partie de la pièce, sans les écarter.

Bien entendu, il existe des exceptions à ces règles générales, car les pièces ou systèmes ne sont jamais parfaitement identiques. Une fois le caisson de graves raccordé au système et réglé au moins approximativement (voir les détails dans le mode d'emploi du KA-1000-THX), vous pouvez essayer d'améliorer le résultat par tâtonnements.

#### RACCORDEMENTS

Remarque : Un bon raccordement des enceintes à l'amplificateur ou au récepteur est essentiel pour l'obtention d'un son de qualité supérieure. Suivez attentivement les instructions ci-dessous. Des raccordements mal réalisés risquent d'entraîner un mauvais fonctionnement de l'amplificateur ou de l'endommager.

Le câblage interne des enceintes Klipsch THX Ultra2 est réalisé par du câble de haut-parleur sur mesure. Sa conception fait appel à des fils de cuivre de grande pureté et de différents diamètres, soigneusement sélectionnés et bobinés de façon à assurer une transmission optimale des signaux de différentes fréquences. Vous tirerez le maximum de vos enceintes en les reliant à l'amplificateur ou au récepteur à l'aide de fils de type ou de haute qualité identique, en vente chez un détaillant. (Le KW-120-THX est livré avec une longueur de 6 mètres de câble de

# THX ULTRA2 LOUDSPEAKERS

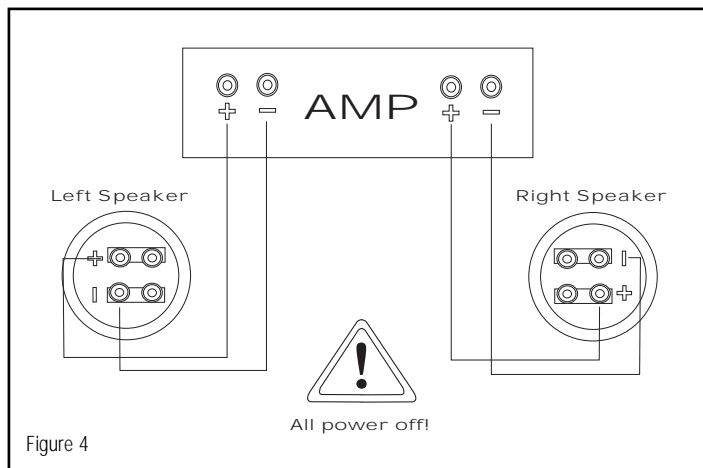
haut-parleur THX Ultra-certified équipé de connecteurs de qualité professionnelle adaptés aux prises jack du caisson de graves et de l'amplificateur KA-1000-THX associé.) Nous recommandons d'utiliser des fils de cuivre multibrin d'au moins 2 mm<sup>2</sup> de section (calibre 16). Pour les grandes longueurs, il est conseillé d'utiliser une plus grosse section (calibre plus faible) pour maintenir une bonne réponse en fréquence et minimiser la perte de puissance. À l'arrière de chaque enceinte KL-650-THX, KL-525-THX ou KS-525-THX se trouvent deux paires de bornes de raccordement, l'une pour l'alimentation du haut-parleur d'aigus et l'autre pour celle des haut-parleurs de graves. Pour le câblage conventionnel, ces paires de bornes sont reliées par des cavaliers métalliques dorés, pouvant être retirés pour le bi-câblage ou la bi-amplification. Nous allons d'abord décrire le simple câblage, puis les autres possibilités. Toutes les informations relatives au simple câblage s'appliquent aussi au bi-câblage.

## TOUT D'ABORD : TYPES DE CONNECTEURS

Fil nu. Séparez les deux conducteurs sur environ 25 mm, puis dénudez leurs extrémités sur environ 6 mm. (Une pince à dénuder simplifie cette opération, mais vous pouvez aussi entailler le pourtour de l'isolant jusqu'au fil à l'aide d'un canif ordinaire.) Torsadez en serrant bien les brins de chaque conducteur. Desserrez les écrous d'une paire de bornes de raccordement de façon à faire apparaître les trous traversants, puis insérez dans ces trous les extrémités dénudées des fils. Vissez chaque écrou sur le fil en serrant à la main. Vérifiez à chaque extrémité du raccordement qu'aucun brin de fil ne met en contact les deux bornes entre elles ni ne touche un brin de l'autre conducteur, afin d'éviter un mauvais fonctionnement ou un endommagement de l'amplificateur.

Broches. Beaucoup de câbles d'enceintes préfabriqués sont pourvus de terminaisons à broches métalliques. Desserrez les écrous d'une paire de bornes de raccordement de façon à faire apparaître les trous traversants, puis insérez les broches dans ces trous. Vissez chaque écrou sur la broche en serrant à la main. Ne serrez pas à fond.

Vérifiez à chaque extrémité du raccordement qu'il n'y a aucun contact métallique entre les deux broches, entre les deux bornes ou entre une broche et une borne, afin d'éviter un mauvais fonctionnement ou un endommagement de l'amplificateur.



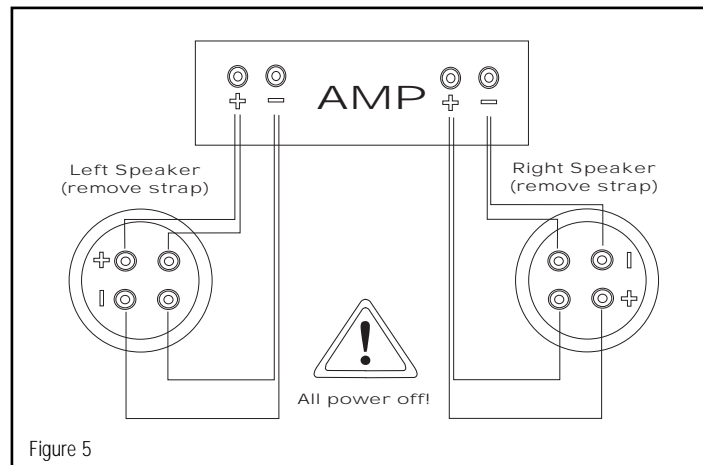
Cosses à fourche. Certains câbles d'enceintes sont pourvus de connecteurs en U appelés cosses à fourche. Desserrez les écrous d'une paire de bornes de raccordement et placez chaque cosse à fourche à cheval sur la borne. Vissez chaque écrou sur la cosse en serrant à la main et inspectez les cosses pour vous assurer qu'elles sont bien en place. Vérifiez à chaque extrémité du raccordement qu'il n'y a aucun contact métallique entre les deux cosses, entre les deux bornes ou entre une cosse et une borne, afin d'éviter un mauvais fonctionnement ou un endommagement de l'amplificateur.

Il existe d'autres types de connecteurs spéciaux permettant de faciliter le raccordement des enceintes. Adressez-vous à un revendeur agréé Klipsch pour obtenir des suggestions et de plus amples détails.

## ENCEINTES À AMPLIFICATEUR : RESPECT DE LA POLARITÉ

Le respect de la polarité ou phase est primordial pour le raccordement des enceintes. En effet, si le raccordement est déphasé, les graves et l'image acoustique sont dégradés.

La façon la plus simple d'assurer le raccordement en phase des enceintes est de toujours relier



les bornes de sortie positive et négative de l'amplificateur ou du récepteur aux bornes d'entrée correspondantes des enceintes : borne positive (« + », rouge) à la borne positive et borne négative (« - », noire) à la borne négative (figure 4).

La plupart des câbles préfabriqués possèdent des connecteurs de couleur facilitant le raccordement adéquat des entrées et des sorties. Si ce n'est pas le cas des vôtres ou si vous fabriquez vous-même vos câbles à partir de fil à deux conducteurs, recherchez sur ceux-ci des repères d'identification. Ils sont, en général, constitués de caractères imprimés, d'une bande ou d'une ligne en relief le long de l'un des conducteurs.

Bi-câblage – Le bi-câblage consiste à raccorder des câbles distincts des bornes de sortie de l'amplificateur ou du récepteur aux bornes d'entrée d'enceinte correspondant au haut-parleur d'aigus et au haut-parleur de graves (figure 5). Cela se traduit par une résistance électrique entre l'amplificateur et l'enceinte inférieure à celle que présente un simple câblage réalisé avec des fils de la même section. Dans certains cas, le bi-câblage peut être préférable au simple câblage à fils de forte section, plus gros et probablement moins souples.

Pour raccorder en bi-câblage les enceintes THX Ultra2, desserrez les écrous des bornes de raccordement et retirez les cavaliers métalliques reliant les bornes du haut-parleur d'aigus à celles du haut-parleur de graves. En respectant la polarité, raccordez un câble aux bornes de raccordement du haut-parleur d'aigus et un autre aux bornes de raccordement du haut-parleur de graves. Acheminez les deux câbles jusqu'à l'amplificateur ou au récepteur et raccordez-les au même canal. (En particulier, ne raccordez pas un câble à une sortie d'enceinte A et l'autre à une sortie d'enceinte B dans le cas d'un amplificateur ou d'un récepteur à commutation d'enceintes A/B.) Les amplificateurs risquent d'être gravement endommagés si les cavaliers ne sont pas retirés.

Bi-amplification – En bi-amplification, le haut-parleur d'aigus et les haut-parleurs de graves sont pilotés par des amplificateurs distincts, alimentés par la même sortie de préamplificateur. La bi-amplification est déconseillée pour toutes nos enceintes. En général, cette opération ne présente aucun avantage par rapport à l'utilisation d'un seul amplificateur plus grand. De plus, une forte dégradation du son peut être provoquée par une mauvaise mise en œuvre. Si toutefois vous choisissez la bi-amplification, utilisez le même modèle d'amplificateur pour les sections des aigus et des graves (afin d'éviter des erreurs de réponse en fréquence résultant de gains d'amplification différents), et n'oubliez pas de retirer les cavaliers reliant les deux paires de bornes d'entrées de l'enceinte. Les amplificateurs risquent d'être gravement endommagés si les cavaliers ne sont pas retirés.

## RÉGLAGES DE GESTION DES GRAVES

Les processeurs et les récepteurs ambiophoniques utilisent ce que l'on appelle la gestion des graves : il s'agit de faire en sorte que les basses fréquences des différents canaux soient envoyées aux enceintes capables de bien les reproduire et qu'elles évitent les petites enceintes qui ne le peuvent pas. Les enceintes Klipsch THX Ultra2 sont optimisées pour un réglage de filtre THX. (Théoriquement, cela correspond à une fréquence de coupure de 80 Hz avec une section passe-haut à 12 dB/octave qui alimente les enceintes satellites et une section passe-bas à 24 dB/octave qui alimente l'amplificateur d'extrêmes-graves.) Un tel filtre est intégré dans les systèmes de gestion de graves de tous les récepteurs et processeurs homologués THX. Les fil-



tres des composants ambiophoniques non THX ont en général une fréquence de coupure de 80 à 100 Hz avec des pentes de 12 à 24 dB/octave. Bien que le filtrage THX soit idéal pour les enceintes Klipsch THX Ultra2, ces autres filtres permettent en général d'obtenir des résultats acceptables. Dans tous les cas, le réglage « Small » doit être sélectionné dans le menu de configuration d'enceintes du récepteur ou du processeur pour toutes les enceintes LCR et ambiophoniques Klipsch THX Ultra2.

#### ENTRETIEN ET MAINTENANCE

Le nettoyage de vos enceintes ne demande qu'un époussetage de temps en temps. N'utilisez jamais de produits de nettoyage abrasifs ou à base de solvant ni de détergents puissants. Vous pouvez nettoyer les grilles à l'aide d'une brosse d'aspirateur.

THX et Ultra2 sont des marques de commerces ou des marques déposées de THX Ltd. Tous droits réservés.

#### GARANTIE À L'EXTÉRIEUR DES ÉTATS-UNIS ET DU CANADA

Si ce produit est vendu à l'extérieur des États-Unis et du Canada, la garantie doit être conforme aux lois en vigueur et n'engage que la responsabilité du distributeur qui a fourni ce produit. Pour obtenir un service en garantie, contactez le détaillant chez qui vous avez acheté ce produit ou le distributeur qui l'a fourni.

# THX ULTRA2 LOUDSPEAKERS

## WICHTIGE SICHERHEITSHINWEISE

1. LESEN Sie diese Anweisungen durch.
2. BEHALTEN Sie diese Anweisungen.
3. BEACHTEN Sie alle Warnhinweise.
4. FOLGEN Sie allen Anleitungen.
5. Verwenden Sie diese Geräte NICHT in der Nähe von Wasser.
6. Reinigen Sie sie NUR mit einem trockenen Tuch.
7. Blockieren Sie KEINE Lüftungsöffnungen. Installieren Sie die Geräte entsprechend den Herstelleranweisungen.
8. Installieren Sie sie NICHT in der Nähe von Wärmequellen wie Heizkörpern, Warmlufteintrittsöffnungen, Öfen oder anderen wärmeerzeugenden Geräten (einschließlich Verstärkern).
9. Verwenden Sie AUSSCHLIESSLICH vom Hersteller empfohlene Zusatzgeräte/Zubehör.
10. VERWENDEN Sie ausschließlich Wagen, Stände, Stative, Halterungen oder Tische, die vom Hersteller empfohlen oder mit dem Gerät verkauft wurden. Bei Verwendung eines Wagens sollten Sie vorsichtig sein, damit Wagen und Gerät nicht umkippen und Verletzungen verursachen.
11. Das Gerät darf KEINEN tropfenden oder spritzenden Flüssigkeiten ausgesetzt werden, und mit Flüssigkeit gefüllte Objekte (wie Blumenvasen) dürfen nicht auf dem Gerät platziert werden.



Ein Dreieck mit einem Ausrufezeichen in der Mitte soll Benutzer auf wichtige Hinweise zur Bedienung und Wartung des Geräts aufmerksam machen, die in der beiliegenden Dokumentation enthalten sind.



Durch das Blitzsymbol in einem gleichseitigen Dreieck soll der Benutzer gewarnt werden, dass bei mangelnder Isolierung „lebensgefährliche Spannungen“ auftreten können, die eine erhebliche Stromschlaggefahr darstellen.

**WARNUNG:** Um die Gefahr eines Feuers oder Stromschlags zu verringern, ist dieses Gerät vor Regen oder Feuchtigkeit zu schützen.

**WARNUNG:** Auf dem Produkt dürfen keine Flammenquellen, wie Kerzen, platziert werden.



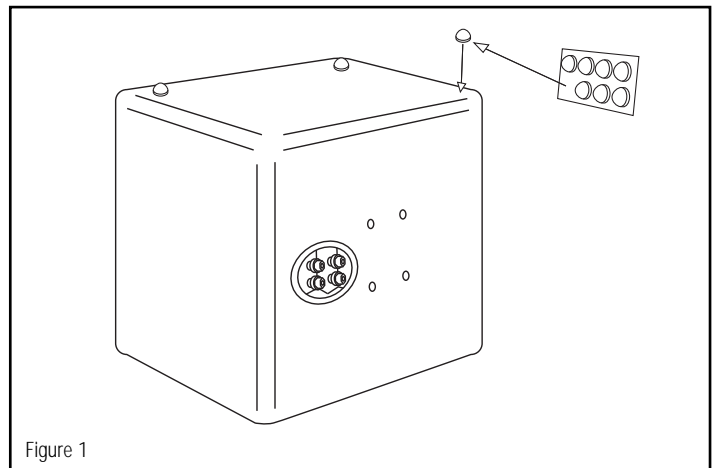
**VORSICHT:** Nicht öffnen! Verletzungsgefahr durch elektrischen Schlag. In diesem Gerät gibt es lebensgefährliche Stromspannung. Enthält keine durch den Benutzer zu wartenden Teile. Lassen Sie alle Wartungen von geschulten Kundendiensttechnikern durchführen.

## ÜBER IHR KLIPSCH-PRODUKT

Vielen Dank, dass Sie Klipsch THX® Ultra2™ Lautsprecher gekauft haben. Nach der Lektüre dieses Handbuchs und dem Anschluss Ihres Systems werden Sie das Ergebnis von über 60 Jahren herausragender Technologie und führender Forschungs- und Entwicklungsarbeit hören können. Wie alle Produkte von Klipsch verfügen auch Ihre Lautsprecher über die Klipsch Tractrix® Horn-Load-Technologie – das Grund-Design für das erste, 1946 entwickelte Klipschorn® und für jedes darauf folgende Produkt. Horn-Loading ermöglicht es Ihrem Lautsprecher, hohe Empfindlichkeit, niedrige Verzerrung, einen ebenen Frequenzgang und ein breites Abstrahlverhalten zu bieten, was zu unvergleichlicher Leistung, Klangtreue und Dynamik führt, eben den Merkmalen des „Klipsch-Sounds“.

## AUSPACKEN

Die einfachste Methode, den Lautsprecher aus dem Karton zu bringen, besteht darin, das offene Ende der Schachtel nach unten zu richten, so dass es auf einem Tisch oder dem Boden aufliegt, wobei die Deckellaschen nach außen geklappt sind. Ziehen Sie dann den Karton direkt nach oben. Entfernen Sie das Verpackungsmaterial vom Lautsprecher und vom Lautsprechergrill, legen Sie es in den Karton, und heben Sie es für den Fall auf, dass Sie den Lautsprecher versenden müssen. Jeder Lautsprecher wird mit selbstklebenden Gummifüßchen ausgeliefert, die Sie verwenden sollten, um Schäden am Lautsprecher oder der Oberfläche, auf der dieser steht, zu vermeiden. (Siehe Abbildung 1.)



## PLATZIERUNG

Wenn Sie Ihre THX Ultra2-Lautsprecher gemäß den THX-Richtlinien (siehe folgende Anweisungen) platzieren, stellen Sie eine optimale Leistung sicher. Lassen Sie sich nicht durch eventuell notwendige Kompromisse verunsichern, falls leichte Veränderungen dazu führen, dass das System im Raum besser aussieht. Die Lautsprecher sind so konzipiert, dass sie im Rahmen einer 5.1-, 6.1- oder 7.1-Kanal-Surround-Soundinstallation über einen relativ weiten Bereich hinweg einen hervorragenden Sound bieten. Dies ist vor allem für Surround-Lautsprecher mit WDST™ (Wide Dispersion Surround Technology) der Fall, die mehr praktische Platzierungsoptionen bieten als konventionelle Modelle. Letztlich kommt es darauf an, was gut klingt und in Ihrem Heimkino funktioniert.

Bevor wir spezifische Fälle behandeln, finden Sie hier einige universelle Platzierungshinweise.

### Allgemeine Regeln

- Die vorderen Lautsprecher klingen meistens am besten, wenn ihre Hochtöner sich auf Ohrhöhe einer sitzenden Person befinden. Wenn dies nicht möglich ist (was bei Center-Lautsprechern oft der Fall ist), empfiehlt es sich manchmal, die Lautsprecher leicht in Richtung des Hörbereichs zu neigen. Surround-Lautsprecher bieten üblicherweise die beste Leistung, wenn sie leicht über Ohrhöhe einer sitzenden Person angebracht werden.
- Wenn Sie die Lautsprecher in einer Schrankwand aufstellen, sind sie so zu platzieren, dass ihre Vorderseite mit der Vorderseite der Schrankwand wenigstens bündig ist.
- Falls möglich sollten Sie jeden Lautsprecher so platzieren, dass dessen Tieftöner etwas unterschiedliche Entfernungen zum Boden, der Wand dahinter und der Seitenwand hat. Es kann auch hilfreich sein, den linken und rechten vorderen Lautsprecher in unterschiedlichen Abständen von der jeweils nächsten Seitenwand aufzustellen. Diese versetzte Anordnung macht den Bassbereich glatter.
- Die Bassleistung und Wiedergabe jedes Lautsprechers wird stark durch dessen Abstand von Raumgrenzen, wie Wänden und dem Boden, beeinflusst. Bringt man einen Lautsprecher näher an eine Raumgrenze, so steigt dessen Bassleistung, während diese sinkt, wenn man den Lautsprecher weiter weg davon aufstellt. Sie erhalten also die maximale Bassleistung eines Lautsprechers, wenn Sie ihn in einer Ecke platzieren, und die minimale, wenn Sie ihn in der Raummitte aufstellen.

### Systemkonfiguration

Abbildung 2 zeigt eine THX-Ultra2-fähige 7.1-Kanal-Lautsprecheranordnung. (Die Konfiguration für 5.1-Kanal ist identisch, aber ohne die hinteren Surround-Lautsprecher an der Rückseite des

Hörbereichs.) Die Modelle KL-650-THX oder KL-525-THX LCR werden für den vorderen linken, mittleren und rechten Kanal verwendet. Als linke und rechte Surround-Lautsprecher dient das Modell KS-525-THX WDST™. Die hinteren Surround-Lautsprecher sind eng aufgestellte KL-650-THX oder KL-525-THX LCR. Bei manchen Installationen empfiehlt es sich, aufgrund seiner kleineren Ausmaße für die hinteren Surround-Kanäle das Modell KS-525-THX zu verwenden. Sein WDST-Design bietet bei dieser Anwendung sehr gute Leistungen. Um die maximalen THX Ultra2-Leistungswerte zu erreichen, benötigen Sie zwei KW-120-THX-Subwoofer. Diese Spezifikation geht von einem sehr großen Raum aus, so dass bei vielen Installationen ein einzelner KW-120-THX völlig ausreichen würde. Der entsprechende KA-1000-THX-Subwoofer-Verstärker kann entweder einen oder zwei Subwoofer ansteuern. Bei Systemen mit zwei Subwoofers ist es besser, diese direkt nebeneinander aufzustellen, statt einen Zwischenraum zu haben.

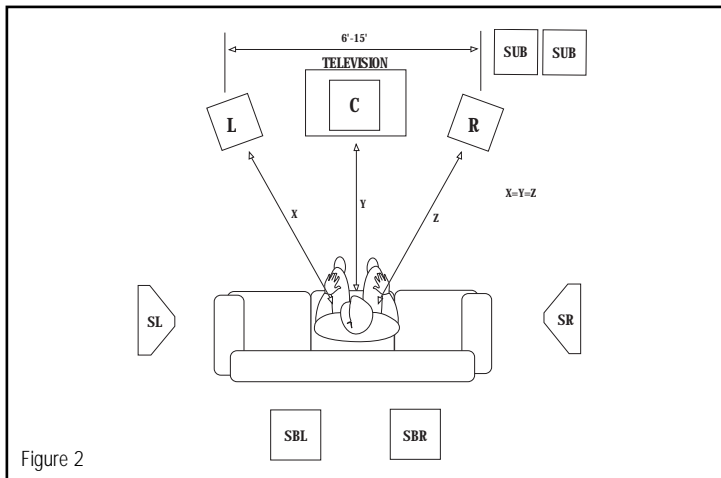


Figure 2

#### Vordere LCR-Lautsprecher

Normalerweise besteht die Anordnung ganz aus den Modellen KL-650-THX oder ganz aus KL-525-THX, allerdings kann sich der Center-Lautsprecher von den linken und rechten Lautsprechern unterscheiden. (Sie können beispielsweise ein Paar KL-650-THX für vorne links und rechts mit einem KL-525-THX in der Mitte kombinieren.) Der Center-Lautsprecher sollte um die Breitseite des Fernsehschirms zentriert sein, direkt darüber oder darunter, oder im Fall einer akustisch transparenten Vorderprojektions-Leinwand, dahinter. Die linken und rechten Lautsprecher sollten im gleichen Abstand von den Seiten des Bildschirms aufgestellt werden. Wie weit entfernt sie aufgestellt werden sollen, hängt von der Bildschirmgröße ab. Eine Richtlinie wäre, den linken und rechten Lautsprecher so zu platzieren, dass sie mit Ihrer Hörposition ein gleichseitiges Dreieck bilden. Da der Center-Lautsprecher hilft, den Sound mit dem Bildschirm zu verbinden, ist es meist besser, die linken und rechten Lautsprecher etwas zu weit als zu nah aufzustellen. Die linken und rechten Lautsprecher sollten nach innen auf die Hörposition ausgerichtet werden (siehe Abb. 2). Bei manchen Installationen empfiehlt es sich, die vorderen LCR-Lautsprecher an der Wand zu montieren, statt sie auf Ständern oder in einem Regal aufzustellen. Deshalb können sowohl der KL-650-THX als auch der KL-525-THX mit den Wand- und Deckenbefestigungen der Serie OmniMount® 60.0 (siehe Abb. 3) verwendet werden. Detaillierte Montageanweisungen finden Sie im OmniMount-Handbuch.

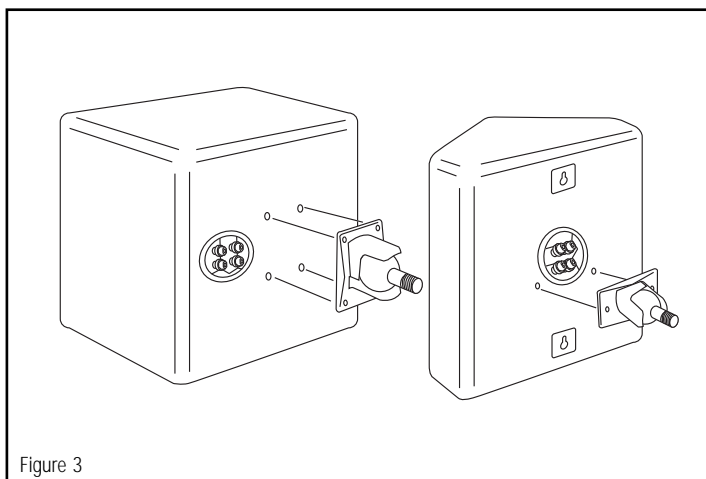


Figure 3

#### Linke und rechte Surround-Lautsprecher

Bei einer 5.1- oder 7.1-Kanal-Installation dienen KS-525-THX als linke und rechte Surround-Lautsprecher, wobei sie an den Seiten des Hörbereichs, meist an einer Wand (oder gegen eine gestellte) platziert werden. Sie sollten sich etwas oberhalb der Ohrhöhe einer sitzenden Person befinden – 150 bis 180 cm über dem Boden wäre ein guter Richtwert. Falls gewünscht, können die Lautsprecher an der Wand bis zu 20 Grad hinter der Hörposition verschoben werden, vor allem bei einem 5.1-Kanal-System. Das WDST-Design (Wide Dispersion Surround Technology) des KS-525-THX gibt Ihnen deutlich mehr Freiraum, und selbst mit nicht gerade idealen Konfigurationen können gute Ergebnisse erzielt werden. Der KS-525-THX hat ein Befestigungsloch zur Anbringung des Lautsprechers an einer Wand. Für das Befestigungsloch brauchen Sie nur eine Schraube oder einen Nagel entsprechender Größe, die/der etwas aus der Wand hervorsteht. Bei Gipskartonwänden sollte der Nagel oder die Schraube an einem Ständerprofil befestigt werden, ansonsten sind entsprechende Dübel/Anker zu verwenden. Zudem kann der KS-525-THX mit den Wand- und Deckenbefestigungen der Serie OmniMount® 20.0 verwendet werden (siehe Abb. 3). Detaillierte Montageanweisungen finden Sie im OmniMount-Handbuch.

#### Hintere Surround-Lautsprecher

Neben den linken und rechten Surround-Lautsprechern erfordern die Spezifikationen für ein THX Ultra2 7.1-Kanal-System zwei nach vorne strahlende Surround-Lautsprecher hinter dem Hörbereich, die nicht mehr als ca. 1 m entfernt aufgestellt werden sollten. Das wären die Modelle KL-650-THX oder KL-525-THX LCR, die entweder auf Ständern aufgestellt oder (idealerweise) an der hinteren Wand befestigt werden. Wie die linken und rechten Surround-Lautsprecher sollten sie sich etwas oberhalb der Ohrhöhe einer sitzenden Person befinden – ca. 150 bis 180 cm über dem Boden. Bei manchen Installationen empfiehlt es sich, aufgrund seiner kleineren Ausmaße für die hinteren Surround-Kanäle das Modell KS-525-THX zu verwenden. Sein WDST-Design bietet bei dieser Anwendung sehr gute Leistungen. Sie sollten die beiden hinteren KS-525-THX-Surround-Lautsprecher etwas weiter voneinander entfernt platzieren, als dies beim Modell LCR der Fall wäre.

#### Subwoofer

Um die maximalen THX Ultra2-Leistungswerte zu erreichen, benötigen Sie zwei KW-120-THX-Subwoofer und einen KA-1000-THX-Verstärker. Diese Spezifikation geht von einem sehr großen Raum aus, so dass bei vielen Installationen ein einzelner KW-120-THX völlig ausreichen würde. Obwohl der KW-120-THX in einer Vielzahl von Positionen eine gute Leistung bietet, können Sie diese optimieren, indem Sie folgenden einfachen Regeln folgen.

- Obwohl die Ausrichtung des Subwoofers nicht von entscheidender Bedeutung ist, sollten Sie die Vorderseite (Treiber) des Gehäuses nicht gegen eine Wand richten.
  - Die Leistung des Subwoofers steigt, je näher er einer Wand ist, und die maximale Leistung wird durch Platzierung in einer Ecke erreicht. Wenn möglich sollte der Subwoofer immer gegen eine Wand oder nahe daran platziert werden.
  - In den meisten Räumen bietet der Subwoofer die beste Bassleistung, wenn er in einer Ecke und entfernt von Öffnungen (wie Türen) aufgestellt wird. Das wäre also, falls möglich, der beste Anfangspunkt.
  - Bei der Verwendung von mehr als einem Subwoofer wird die beste Leistung durch eine Platzierung im gleichen Bereich erzielt, nicht durch eine getrennte Aufstellung.
- Natürlich haben diese allgemeinen Regeln auch Ausnahmen, da keine zwei Räume oder Systeme völlig identisch sind. Nachdem Sie den Subwoofer an Ihr System angeschlossen und zumindest grob eingestellt haben (Details finden Sie im Handbuch des KA-1000-THX), können Sie ja zur Klangverbesserung experimentieren.

#### ANSCHLÜSSE

Hinweis: Der korrekte Anschluss Ihrer Lautsprecher an den Verstärker oder Receiver ist entscheidend für eine gute Tonqualität. Folgen Sie bitte sorgfältig diesen Anweisungen. Schlechte Anschlüsse können zu Fehlfunktionen oder Beschädigungen des Verstärkers führen. Klipsch THX Ultra2 sind innen mit speziellen Lautsprecherkabeln verwendet mehrere Drähte aus hochreinem Kupfer, die sorgfältig ausgewählt und verflochten wurden, um eine optimale Signalübertragung über den gesamten Frequenzbereich hinweg zu gewährleisten. Sie können die beste Leistung aus Ihren Lautsprechern herausholen, wenn Sie sie mit oder einem ähnlich guten, durch Ihren Fachhändler erhältlichen, Kabel mit dem Verstärker oder Receiver verbinden. (Der KW-120-THX wird mit einem 6 m langen THX Ultra-zertifizierten Lautsprecherkabel ausgeliefert, das über professionelle Anschlüsse verfügt, die in die Buchsen am Subwoofer und die

# THX ULTRA2 LOUDSPEAKERS

entsprechenden Anschlüsse am KA-1000-THX-Verstärker passen.) Wir empfehlen die Verwendung von geflochtenen Kupferkabeln (16 Gauge oder schwerer). Verwenden Sie bei langen Kabelentfernungen (schwereres) Kabel mit niedrigerem Gauge-Wert, um einen korrekten Frequenzgang zu gewährleisten und Leistungsverluste zu reduzieren.

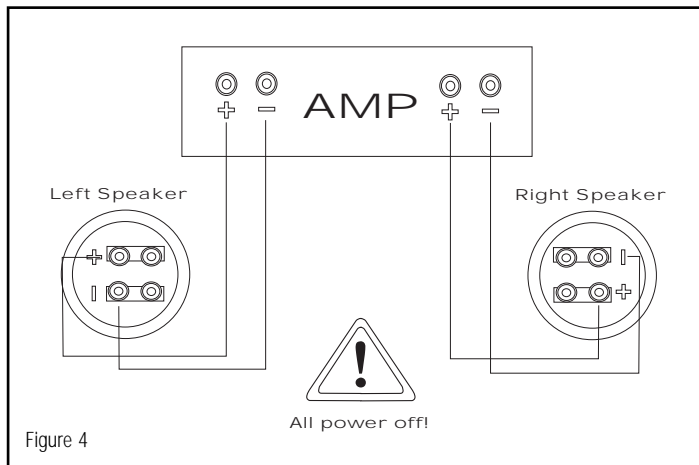
An der Rückseite jedes KL-650-THX-, KL-525-THX- und KS-525-THX-Lautsprechers befinden sich zwei Gruppen von Anschluss terminals, einer für den Hochtöner und einer für die Basslautsprecher. Diese Gruppen sind für einen konventionellen Anschluss mit goldbeschichteten Metallstreifen verbunden, die für das Bi-Wiring oder Bi-Amping entfernt werden können. Zunächst wird die konventionelle Einkabel-Anschlussmethode erläutert, dann die Alternativen. Alle Informationen über einkabligen Anschluss gelten auch für das Bi-Wiring.

## ERSTER SCHRITT: ANSCHLUSSTYPEN

**Blanker Draht.** Ziehen Sie die zwei Adern auf einer Länge von etwa 2,5 cm auseinander und entfernen Sie am Ende jeweils ca. 7 mm der Isolierung. (Das geht mit einer Abisolierzange einfacher, aber Sie können auch ein normales Taschenmesser verwenden, um die Isolierung vom Draht abzuschneiden.) Drehen Sie die Drahtfasern jeder Ader fest zusammen. Lösen Sie die Muttern an einem Paar Anschluss terminals, bis die Löcher in den Metallstiften frei sind, und stecken Sie dann den blanken Draht in die Löcher. Drehen Sie die Muttern fingerfest auf den Draht hinunter. Stellen Sie sicher, dass keine Kupferfasern von einem Terminal zum anderen oder zu einer Faser der anderen Ader verlaufen. Wenn diese Vorsichtsmaßnahme an einem der Anschlussenden missachtet wird, kann es zu Fehlfunktionen oder Beschädigungen des Verstärkers kommen.

**Stifte.** Viele im Handel erhältliche Lautsprecherkabel haben am Ende Metallstifte. Lösen Sie die Muttern an einem Paar Anschluss terminals, bis die Löcher in den Metallstiften frei sind, und stecken Sie dann die Stifte in die Löcher. Drehen Sie die Muttern fingerfest auf die Stifte hinunter, aber drehen Sie sie nicht zu fest an.

Stellen Sie sicher, dass kein Metallkontakt zwischen den beiden Stiften oder Anschluss terminals besteht. Wenn diese Vorsichtsmaßnahme an einem der Anschlussenden missachtet wird, kann es zu Fehlfunktionen oder Beschädigungen des Verstärkers kommen.

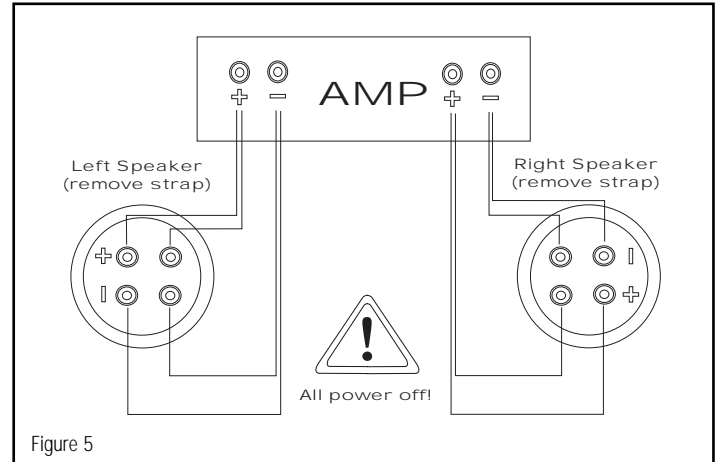


**Gabelschuhe.** Manche Lautsprecherkabel haben am Ende U-förmige Anschlüsse, die als Gabelschuhe bezeichnet werden. Lösen Sie die Muttern an einem Paar Anschluss terminals und schieben Sie die Gabelschuhe um die Metallstifte herum. Drehen Sie die Muttern fingerfest auf die Gabelschuhe hinunter und prüfen Sie, ob diese richtig festgeschraubt sind. Stellen Sie sicher, dass kein Metallkontakt zwischen den beiden Gabelschuhen oder Anschluss terminals besteht. Wenn diese Vorsichtsmaßnahme an einem der Anschlussenden missachtet wird, kann es zu Fehlfunktionen oder Beschädigungen des Verstärkers kommen.

Es gibt andere Arten spezieller Verbindungen, die das Anschließen Ihrer Lautsprecher erleichtern. Setzen Sie sich bitte mit Ihrem Klipsch-Fachhändler in Verbindung, der Ihnen Ratschläge und weitere Informationen geben kann.

## LAUTSPRECHER AN VERSTÄRKER: DIREKTE VERBINDUNG

Einer der wichtigsten Faktoren beim Anschluss Ihrer Lautsprecher ist die richtige Polung. Wenn der Lautsprecheranschluss falsch gepolt ist, wirken der Bass und das Klangbild schwächer. Die einfachste Methode, um einen richtig gepolten Lautsprecheranschluss sicherzustellen, besteht darin, die positiven und negativen Ausgangs terminals an Ihrem Verstärker oder Receiver immer



mit den entsprechenden Eingang terminals an Ihren Lautsprechern zu verbinden: positiv (+, + Farbmarkierung rot) zu positiv, und negativ (-, - Farbmarkierung schwarz) zu negativ. (Siehe Abbildung 4.)

Die meisten handelsüblichen Lautsprecherkabel haben farblich markierte Adern, die es einfach machen, die Ausgänge und Eingänge korrekt zu verbinden. Wenn das bei Ihren Kabeln nicht der Fall ist oder wenn Sie Ihre eigenen Kabel aus zweiadrigen Draht herstellen, sollten Sie auf der Isolierung der beiden Adern nach Merkmalen suchen. Normalerweise befindet sich aufgedruckter Text, ein Streifen oder ein erhöhter Kamm entlang einer Ader.

**Bi-Wiring** – Beim Bi-Wiring werden separate Kabel von den Ausgangs terminals des Verstärkers oder Receivers mit den Lautsprechereingang terminals des Hochtöners und des Basslautsprechers verbunden (siehe Abbildung 5). Dies führt zu einem geringeren elektrischen Widerstand zwischen dem Verstärker und dem Lautsprecher, als dies bei der Verbindung mit einem einzelnen Kabel gleichen Querschnitts der Falls wäre. In manchen Fällen ist das Bi-Wiring der Verwendung eines einzelnen Kabels mit größerem Querschnitt vorzuziehen, das dicker und wahrscheinlich weniger biegsam wäre.

Für das Bi-Wiring Ihrer THX Ultra2-Lautsprecher lösen Sie die Muttern an den Anschluss terminals und entfernen die Metallstreifen, die die Terminals für die Hochtöner und Basslautsprecher verbinden. Verbinden Sie ein Kabel mit den Hochtöner-Anschluss terminals, und das andere mit den Basslautsprecher-Terminals, wobei Sie auf die richtige Polung achten müssen. Verbinden Sie dann beide Kabel an Ihrem Verstärker oder Receiver mit dem gleichen Kanal. (Sie dürfen beispielsweise nicht eines mit einem Lautsprecherausgang A und das andere mit einem Lautsprecherausgang B verbinden, wenn Ihr Verstärker oder Receiver über eine A/B-Lautsprecherumschaltung verfügt). Wenn die Metallstreifen nicht entfernt werden, können die Verstärker schwer beschädigt werden.

**Bi-Amping** – Beim Bi-Amping-Verfahren werden der Hochtöner und die Basslautsprecher von zwei separaten Verstärkern versorgt, die über den gleichen Vorverstärkerausgang angesteuert werden. Wir empfehlen das Bi-Amping-Verfahren bei unseren Lautsprechern nicht, da es meist keinen Vorteil bringt, der nicht einfach durch den Einsatz eines einzelnen größeren Verstärkers erzielt werden könnte, und da es bei falscher Anwendung zu einer starken Klangverschlechterung führen kann. Wenn Sie dennoch das Bi-Amping-Verfahren einsetzen, müssen Sie das gleiche Verstärkermodell für die Hochtöner- und Basslautsprechersektionen verwenden (um durch unterschiedliche Verstärkungsgrade verursachte Frequenzgangfehler zu vermeiden) und unbedingt die Metallstreifen entfernen, die die zwei Eingang terminalgruppen am Lautsprecher verbinden. Wenn die Metallstreifen nicht entfernt werden, können die Verstärker schwer beschädigt werden.

## BASS-MANAGEMENT-EINSTELLUNGEN

Surround-Sound-Receiver und -Prozessoren verwenden das so genannte Bass-Management-Verfahren, das sicherstellt, dass die niedrigen Frequenzen in den verschiedenen Kanälen an Lautsprecher übertragen werden, die diese gut wiedergeben können, und das sie bei kleinen Lautsprechern, die dazu nicht in der Lage sind, wegfiltert. Klipsch THX Ultra2-Lautsprecher sind für die THX-Crossover-Einstellung optimiert. (Technisch gesehen handelt es sich um einen 80-Hz-Crossover mit einem Hochpassabschnitt mit 12 dB/Oktave, der die Verstärker für die Satellitenlautsprecher ansteuert, und einem Tiefpassabschnitt mit 24 dB/Oktave für den Subwoofer-Verstärker.) Alle THX-zertifizierten Receiver und Prozessoren besitzen in ihren Bass-Management-Systemen dieses Crossover-Modul. Nicht dem THX-Standard entsprechende Surround-Sound-Komponenten besitzen meist Crossovers zwischen 80 und 100 Hz, mit einer

Flankensteilheit von 12 bis 24 dB/Oktave. Obwohl der THX-Crossover für die Klipsch THX Ultra2-Lautsprecher ideal ist, bieten diese anderen Crossovers meist akzeptable Leistungen. Dennoch sollten alle Klipsch THX Ultra2 LCR und Surround-Lautsprecher im Lautsprecher-Setup-Menü Ihres Receivers oder Prozessors auf „Small“ (klein) eingestellt werden.

#### **PFLEGE UND REINIGUNG**

Die einzig nötige Pflege Ihrer Lautsprecher besteht darin, sie gelegentlich abzustauben. Verwenden Sie nie Scheuermittel, Lösungsmittel enthaltende oder aggressive Reinigungsmittel. Sie können die Lautsprechergrills mit dem Bürstenaufsatz eines Staubsaugers reinigen.

THX und Ultra2 sind Marken oder eingetragene Marken von THX LTD. Alle Rechte vorbehalten.

#### **AUSSERHALB DER USA UND KANADA**

Falls dieses Produkt an Kunden außerhalb der USA oder Kanada verkauft wurde, entspricht die Garantie für dieses Produkt dem jeweils geltenden Recht und liegt ausschließlich in der Verantwortung des Distributors, der dieses Produkt geliefert hat. Zur Inanspruchnahme von Garantieleistungen den Händler, der dieses Produkt verkauft hat, oder den Distributor, der dieses Produkt geliefert hat, kontaktieren.



# THX ULTRA2 LOUDSPEAKERS

## ISTRUZIONI IMPORTANTI DI SICUREZZA

1. LEGGERE queste istruzioni.
2. CONSERVARLE.
3. RISPETTARE tutte le avvertenze.
4. SEGUIRE tutte le istruzioni.
5. NON usare questo apparecchio vicino all'acqua.
6. PULIRE SOLO con un panno asciutto.
7. NON ostruire nessuna apertura per l'aria. Installare seguendo le istruzioni del produttore.
8. NON installare l'apparecchio presso fonti di calore come ad esempio radiatori, bocchette di uscita dell'aria di riscaldamento, forni o altri apparecchi (compresi amplificatori) che generano calore.
9. USARE SOLO gli accessori specificati dal produttore.
10. USARE solo con i supporti (carrello, sostegno, treppiede, staffa o tavolo) specificati dal produttore o venduti con l'apparecchio. Se si usa un carrello, fare attenzione quando lo si sposta assieme all'apparecchio, per prevenire infortuni causati da un ribaltamento.
11. NON esporre l'apparecchio a gocciolamenti o spruzzi e accertarsi che su di esso non siano collocati contenitori di liquido, per esempio vasi da fiori.



Il punto esclamativo all'interno di un triangolo equilatero segnala che il manuale allegato all'apparecchio contiene informazioni importanti sull'uso, sulla manutenzione e sulle riparazioni.



Il simbolo del fulmine all'interno di un triangolo equilatero avvisa della presenza di alte tensioni non isolate all'interno dell'apparecchio, di livello tale da comportare il rischio di folgorazione.

**AVVERTENZA** – per ridurre il rischio di scosse elettriche, non esporre l'apparecchio né alla pioggia né all'umidità.

**AVVERTENZA** – non collocare sull'apparecchio sorgenti di fiamme libere, come candele.



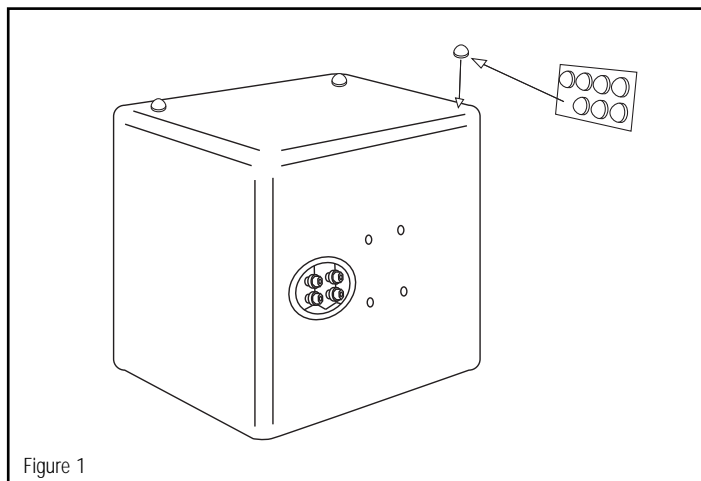
**ATTENZIONE** – non aprire: rischio di folgorazione. Le tensioni all'interno di questo apparecchio sono mortali. All'interno non vi sono parti riparabili dall'utente. Per qualsiasi intervento rivolgersi a personale qualificato.

## INFORMAZIONI SULL'ACQUISTO DEL PRODOTTO KLIPSCH

Grazie per aver acquistato questi altoparlanti THX® Ultra2™ Klipsch. Dopo la lettura di questo manuale e il collegamento del sistema, gli altoparlanti saranno pronti per fornire le prestazioni garantite da oltre 60 anni di progettazione rigorosa e di ricerca e sviluppo all'avanguardia. Come tutti i prodotti Klipsch, questi altoparlanti includono la tecnologia di caricamento a tromba Klipsch Tractrix®, il concetto progettuale alla base della prima Klipschorn® sviluppata nel 1946 e di tutti i prodotti successivi. Il caricamento a tromba permette agli altoparlanti di fornire alta sensibilità, bassa distorsione, risposta in frequenza piatta e ampia dispersione, il che si traduce nelle ineguagliabili caratteristiche di potenza, dettaglio e dinamica che sono il marchio del suono Klipsch.

## DISIMBALLAGGIO

Per estrarre gli altoparlanti dall'imballaggio, aprire la scatola e capovolgerla in modo che la parte aperta sia appoggiata su un tavolo o sul pavimento, e i lembi della scatola siano aperti verso l'esterno. Sollevare la scatola e allontanarla dall'unità. Rimuovere dall'altoparlante e dalla griglia il materiale di imballaggio e rimetterlo nella scatola per conservarlo nel caso in cui l'apparecchio debba essere spedito in futuro. Per evitare di danneggiare l'altoparlante o la superficie su cui viene collocato, si consiglia di applicare i piedini di gomma adesivi forniti in dotazione (vedi figura 1).



## COLLOCAZIONE

Questi altoparlanti THX Ultra2 raggiungono prestazioni ottimali quando vengono posizionati in conformità alle linee guida THX, sulle quali si basano queste istruzioni. È possibile che sia necessario fare qualche compromesso o qualche piccolo adattamento affinché l'aspetto del sistema nella stanza sia più gradevole. Gli altoparlanti sono stati progettati per produrre suono eccellente in una gamma relativamente ampia di collocazioni nel formato base di una configurazione surround a 5.1, 6.1, o 7.1 canali. Questo è vero in particolar modo per gli altoparlanti surround WDST™ (Wide Dispersion Surround Technology), che offrono molte più opzioni pratiche per il loro collocamento rispetto alle casse di concezione convenzionale. Alla fin fine, ciò che conta veramente è che il suono sia di alta qualità e adatto all'home theater in uso.

Prima di trattare argomenti specifici, offriamo di seguito alcune considerazioni generali sulla collocazione degli altoparlanti.

### Regole generali

- Gli altoparlanti anteriori normalmente suonano meglio quando i tweeter sono approssimativamente all'altezza degli orecchi di un ascoltatore in posizione seduta. Se ciò non è possibile, come spesso accade per gli altoparlanti del canale centrale, può essere utile inclinarli leggermente in modo che puntino in direzione dell'area di ascolto. Gli altoparlanti del canale surround normalmente danno risultati migliori se collocati a un livello leggermente superiore a quello degli orecchi di chi ascolta.
- Se si mettono gli altoparlanti su uno scaffale, cercare di sistemarli in modo che il margine anteriore delle casse sia almeno a filo con il davanti dello scaffale.
- Se possibile, posizionare ciascun altoparlante in modo che le distanze tra il woofer e il pavimento, la parete retrostante e la parete a fianco non siano tutte uguali. Può essere utile anche sistemare gli altoparlanti anteriori destro e sinistro a distanze diverse dalle rispettive pareti laterali più vicine. Questa sistemazione sfalsata aiuta a rendere più lineare la gamma dei bassi.
- La risposta e l'uscita dei bassi di qualsiasi altoparlante dipendono fortemente dalla sua distanza dai lati (pareti, pavimento, ecc.) del locale in cui si trova. Spostando l'altoparlante più vicino a una parete, si aumenta l'uscita dei bassi; allontanandolo, l'uscita si riduce. Pertanto, il livello dei bassi dell'altoparlante sarà massimo se questo viene posto in un angolo; sarà minimo al centro della stanza.

## Configurazione del sistema

La figura 2 illustra una configurazione di altoparlanti a 7.1 canali a norma THX Ultra2 (la configurazione a 5.1 canali è identica, ma senza gli altoparlanti surround posteriori, dietro l'area di ascolto). Per i canali anteriori sinistro, centrale e destro vengono usati diffusori LCR KL-650-THX o KL-525-THX. Gli altoparlanti surround sinistro e destro sono diffusori WDST™ modello KS-525-THX. Gli altoparlanti surround posteriori sono LCR KL-650-THX o KL-525-THX, posti a distanza ravvicinata l'uno dall'altro. In alcune installazioni, può essere preferibile usare il modello KS-525-THX per i canali surround posteriori, dato che sono di dimensioni minori. Inoltre, essendo di concezione WDST, sono particolarmente adatti a questa applicazione. I due subwoofer KW-120-THX sono necessari per soddisfare i requisiti di uscita massima THX Ultra2. Tuttavia, questa specifica presuppone l'uso di un locale molto ampio; ciò significa che in molte installazioni un solo KW-120-THX risulta essere più che sufficiente. L'amplificatore KA-1000-THX è adatto per l'amplificazione di uno o due subwoofer. Nei sistemi a due subwoofer, di solito è meglio collocarli a fianco l'uno dell'altro, piuttosto che distanziati.

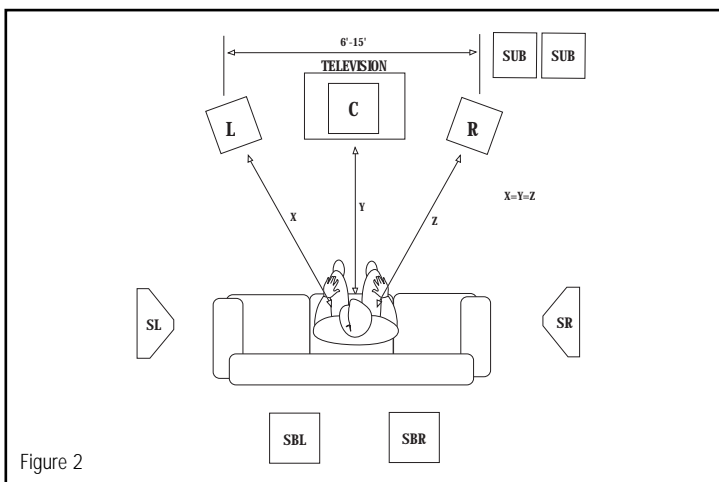


Figure 2

## Altoparlanti LCR anteriori

Normalmente, la configurazione prevede l'uso dello stesso modello (KL-650-THXs o KL-525-THX) per tutti gli altoparlanti, ma l'altoparlante centrale può essere diverso dagli altri. Ad esempio, si possono abbinare due KL-650-THX per i canali anteriori destro e sinistro e un KL-525-THX per il canale centrale. L'altoparlante per il canale centrale deve essere posizionato al centro rispetto alla larghezza dello schermo televisivo, direttamente sopra o sotto quest'ultimo; nel caso di uno schermo di proiezione frontale acusticamente trasparente, vanno messi dietro ad esso. Gli altoparlanti destro e sinistro devono essere equidistanti dallo schermo del televisore. La distanza dipende dalle dimensioni dello schermo. Indicativamente, collocarli in modo che i due altoparlanti destro e sinistro e la posizione di ascolto formino un triangolo equilatero. Poiché l'altoparlante centrale aiuta ad ancorare il suono allo schermo, di solito è meglio tenere le casse laterali più distanti, anziché avvicinarle. Gli altoparlanti destro e sinistro devono essere rivolti verso la posizione di ascolto, come illustrato nella figura 2. In alcune installazioni, può essere preferibile montare a parete gli altoparlanti LCR anteriori, piuttosto che appoggiarli su basi o su uno scaffale. I modelli KL-650-THX e KL-525-THX sono predisposti per l'uso di staffe OmniMount® serie 60.0 per il fissaggio a parete o a soffitto (vedi figura 3). Consultare il manuale OmniMount per istruzioni dettagliate per l'installazione.

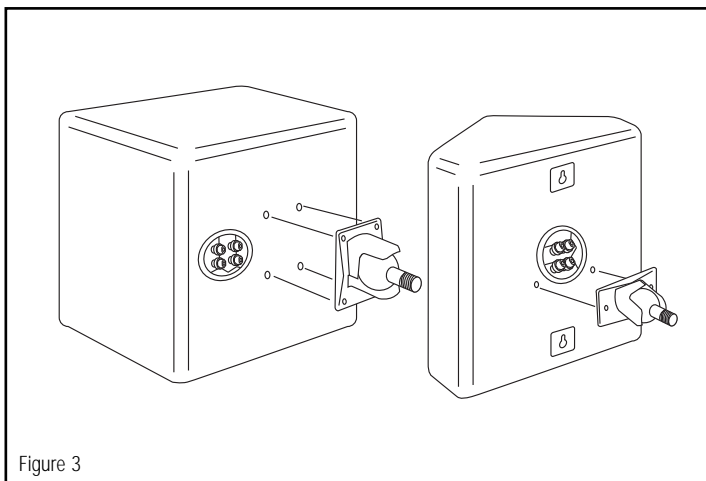


Figure 3

## Altoparlanti surround destro e sinistro

Nelle installazioni a 5.1 o 7.1 canali, si consiglia il modello KS-525-THX per gli altoparlanti surround destro e sinistro, che vanno collocati contro le pareti ai lati dell'area di ascolto, o fissati ad esse. Devono essere leggermente al di sopra degli orecchi di chi ascolta, ossia a 150-180 cm circa dal pavimento. Facoltativamente, specialmente nella configurazione a 5.1 canali, gli altoparlanti possono essere spostati posteriormente lungo la parete, fino a un angolo di 20 gradi dietro la posizione di ascolto. Il design Wide Dispersion Surround Technology, su cui si basa il modello KS-525-THX, offre una flessibilità notevolmente maggiore, dando buoni risultati in configurazioni che si discostano significativamente da quella ideale, se necessario. Il modello KS-525-THX dispone di scanalature per l'eventuale montaggio a parete. Basta inserire nel muro una vite o un chiodo delle dimensioni appropriate, lasciando la testa sporgere un poco dalla parete per poter essere agganciata alla scanalatura. La vite o il chiodo devono essere ancorati saldamente, ad esempio usando dei tasselli. Gli altoparlanti KS-525-THX sono anche predisposti per l'uso di staffe OmniMount® serie 20.0 per il fissaggio a parete o a soffitto (vedi figura 3). Consultare il manuale OmniMount per istruzioni dettagliate per l'installazione.

## Altoparlanti surround posteriori

Oltre ai diffusori surround destro e sinistro, le specifiche THX Ultra2 per un sistema a 7.1 canali prevedono l'uso di due altoparlanti surround posteriori a irradiazione frontale, posizionati a circa un metro l'uno dall'altro dietro l'area di ascolto. Si consiglia l'uso di LCR KL-650-THX o KL-525-THX, posti su basi o, preferibilmente, montati sulla parete posteriore. Come i diffusori surround destro e sinistro, dovrebbero essere leggermente al di sopra degli orecchi di chi ascolta, ossia a 150-180 cm circa dal pavimento. In alcune installazioni, può essere preferibile usare altoparlanti modello KS-525-THX per i canali surround posteriori, dato che sono di dimensioni minori. Inoltre, essendo di concezione WDST, sono particolarmente adatti a questa applicazione. La distanza tra i diffusori surround KS-525-THX dovrebbe essere leggermente maggiore rispetto alla distanza tra gli LCR.

## Subwoofer

I due subwoofer KW-120-THX e l'amplificatore KA-1000-THX sono necessari per soddisfare i requisiti di uscita massima THX Ultra2. Tuttavia, questa specifica presuppone l'uso di un locale molto ampio; ciò significa che in molte installazioni un solo KW-120-THX risulta essere più che sufficiente. Questi diffusori garantiscono eccellenti prestazioni in una vasta gamma di collocazioni, e si possono ottenere risultati ottimali seguendo le semplici direttive indicate sotto.

- Sebbene l'orientamento del subwoofer non sia affatto fondamentale, evitare di collocare la parte anteriore (driver) della cassa contro una parete.
- L'uscita del subwoofer aumenta con l'avvicinarsi dell'altoparlante alle pareti circostanti; la sua uscita è massima quando viene posto in un angolo. Se possibile, posizionarlo sempre contro o vicino a una parete.
- Nella maggior parte dei locali, il subwoofer produce la risposta ai bassi più uniforme quando viene installato in un angolo, lontano da aperture come porte, ecc. Se possibile, questa è la collocazione consigliabile.
- Se si usa più di un subwoofer, normalmente si hanno i risultati migliori posizionandoli affiancati, piuttosto che distanziati l'uno dall'altro. Naturalmente, vi sono eccezioni a queste regole generali poiché ogni locale e ogni sistema ha caratteristiche che lo differenziano da qualsiasi altro. Collegato il subwoofer al sistema e completata la regolazione iniziale (consultare il manuale del KA-1000-THX per dettagli), è consigliabile continuare a sperimentare con i comandi fino alla messa a punto più soddisfacente.

## COLLEGAMENTI

Nota – Il corretto collegamento degli altoparlanti all'amplificatore o al ricevitore è una componente essenziale della qualità del suono. Seguire queste istruzioni con attenzione. Connessioni scadenti possono causare malfunzionamenti o danni all'amplificatore.

Gli altoparlanti THX Ultra2 Klipsch sono cablati internamente con un apposito cavo, che impiega fili di rame purissimo di sezioni diverse, selezionati e avvolti con cura per garantire la conduzione ottimale del segnale a tutte le frequenze. Per ottenere le migliori prestazioni, collegare gli altoparlanti all'amplificatore o al ricevitore con un cavo, o con un cavo di qualità equivalente, disponibile presso il rivenditore. (In dotazione con ogni subwoofer KW-120-THX viene fornito un cavo per altoparlanti da 6,10 m, certificato THX Ultra, con connettori di tipo professionale, per il facile collegamento con i jack del subwoofer e dell'amplificatore KA-1000-THX.) Si consiglia di usare un cavo in corda di rame di sezione pari o superiore a 1,30 mm<sup>2</sup> (16 AWG). Usare un

# THX ULTRA2 LOUDSPEAKERS

cavo di sezione maggiore per lunghe distanze, in modo da mantenere la corretta risposta in frequenza e limitare al minimo la perdita di potenza.

Sul retro di ogni altoparlante KL-650-THX, KL-525-THX e KS-525-THX, sono presenti due coppie di morsetti: una per l'alimentazione del tweeter e l'altra per i woofer. Nel cablaggio convenzionale, queste coppie sono collegate assieme con ponticelli metallici placcati oro, che possono essere asportati per effettuare il biwiring o la biamplificazione. Più avanti viene spiegato il normale collegamento singolo, seguito dalle istruzioni per i collegamenti alternativi. Tutte le informazioni riguardanti il collegamento singolo valgono anche per il biwiring.

## TIPI DI CONNETTORI

Filo nudo. Separare i due conduttori l'uno dall'altro per circa 2-3 cm e asportare approssimativamente 5-6 mm di isolamento dall'estremità di ciascuno di essi (l'uso di uno spellacavi facilita questa operazione, ma si può anche usare un normale coltellino a serramanico per tagliare l'isolamento lungo la circonferenza fino a toccare il conduttore). Avvolgere bene i fili di ciascun conduttore. Allentare i dadi di una coppia di morsetti fino a esporne i fori e quindi inserirvi i fili nudi. Avvitare con le dita i dadi sui conduttori. Accertarsi che i fili di un morsetto non tocchino l'altro morsetto o i fili dell'altro conduttore. La mancata osservanza di questa precauzione all'una o all'altra estremità del collegamento può causare malfunzionamenti o danni all'amplificatore.

Spinotti. Molti cavi per altoparlanti con connettori preinstallati sono terminati con spinotti di metallo. Allentare i dadi di una coppia di morsetti fino a esporne i fori e quindi inserirvi gli spinotti. Avvitare con le dita i dadi sugli spinotti, senza serrarli eccessivamente.

Accertarsi che non vi sia contatto metallo su metallo tra i due spinotti o tra i morsetti. La mancata osservanza di questa precauzione all'una o all'altra estremità del collegamento può causare malfunzionamenti o danni all'amplificatore.

Forcelle. Alcuni cavi per altoparlanti sono terminati con connettori a forcella. Allentare i dadi di una coppia di morsetti e inserire le forcelle in modo che i morsetti di metallo si trovino tra i denti delle forcelle. Avvitare con le dita i dadi sulle forcelle, verificando che queste non si spostino durante l'avvitamento. Accertarsi che non vi sia contatto metallo su metallo tra le due forcelle o tra i morsetti. La mancata osservanza di questa precauzione all'una o all'altra estremità del collegamento può causare malfunzionamenti o danni all'amplificatore.

Sono inoltre disponibili altri tipi di connettori speciali per agevolare il collegamento degli altoparlanti. Rivolgersi al rivenditore autorizzato Klipsch per consigli e ulteriori dettagli in merito.

## COLLEGAMENTO TRA ALTOPARLANTI E AMPLIFICATORE

Uno degli aspetti più importanti da considerare durante il collegamento degli altoparlanti è il mantenimento della polarità, o fase, corretta. Se sono collegati fuori fase, si assiste a uno scaldamento dei bassi e dell'immagine del suono.

Il modo più semplice per garantire che gli altoparlanti siano collegati in fase è connettere sempre i terminali di uscita positivo e negativo dell'amplificatore o ricevitore ai corrispondenti terminali di ingresso degli altoparlanti: positivo con positivo (terminali contrassegnati da un "+" o dal colore rosso) e negativo con negativo (terminali contrassegnati da un "-" o dal colore nero) (vedi figura 4).

La maggior parte dei cavi per altoparlanti con terminazioni preinstallate dispone di connettori codificati a colori, che rendono semplice il collegamento corretto tra entrate e uscite. Se i cavi in uso non sono di questo tipo, o se sono cavi fatti artigianalmente con una piattina bipolare, osservare eventuali contrassegni sull'isolamento dei due conduttori. Normalmente l'isolamento riporta delle scritte, una striscia o una nervatura stampata lungo i conduttori.

Biwiring - Nel cosiddetto biwiring, si collegano cavi separati ai terminali di uscita dell'amplificatore o ricevitore e ai terminali di ingresso del tweeter e dei woofer sugli altoparlanti (vedi figura 5). Rispetto al collegamento con un solo cavo della stessa sezione, questo tipo di connessione riduce la resistenza elettrica tra l'amplificatore e gli altoparlanti. In alcuni casi, può essere preferibile il biwiring piuttosto che il collegamento singolo con un cavo di sezione maggiore, che essendo più spesso probabilmente è anche meno flessibile.

Per fare la connessione in biwiring degli altoparlanti THX Ultra2, allentare i dadi dei morsetti e togliere i ponticelli metallici che collegano i terminali dei woofer e del tweeter. Osservando la corretta polarità, collegare un cavo ai morsetti del tweeter e l'altro ai morsetti dei woofer.

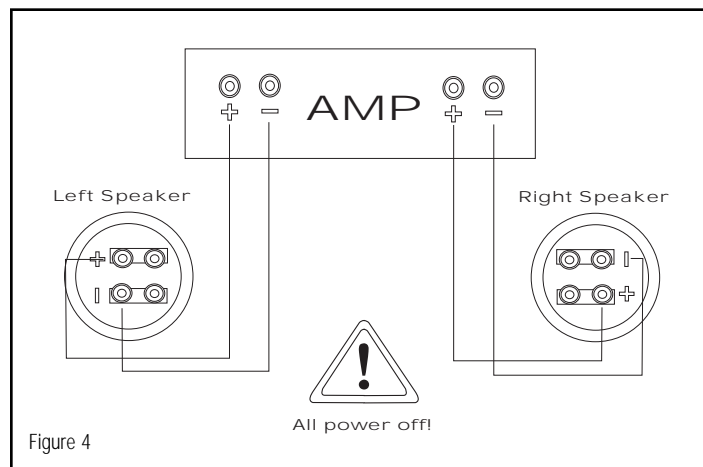


Figure 4

Collegare quindi i cavi agli stessi canali sull'amplificatore o ricevitore (evitare, ad esempio, di collegare un cavo all'uscita dell'altoparlante A e l'altro all'uscita dell'altoparlante B di un amplificatore o ricevitore con commutatore per altoparlanti A/B). Se non si rimuovono i ponticelli, gli amplificatori possono subire gravi danni.

Biamplificazione - Nella biamplificazione, il tweeter e i woofer sono collegati ad amplificatori separati, alimentati dalla stessa uscita sul preamplificatore. Sconsigliamo la biamplificazione dei nostri altoparlanti in quanto, generalmente, non produce alcun beneficio ulteriore rispetto al semplice collegamento con un singolo amplificatore di potenza maggiore, e anzi può peggiorare gravemente il suono se non viene effettuata correttamente. Se si intende procedere alla biamplificazione, usare lo stesso modello di amplificatore sia per la sezione tweeter che la sezione woofer (per evitare errori di risposta in frequenza causati da guadagni diversi fra i due amplificatori); inoltre, accertarsi di aver rimosso i ponticelli che collegano i due gruppi di terminali di ingresso dell'altoparlante. Se non si rimuovono i ponticelli, gli amplificatori possono subire gravi danni.

## IMPOSTAZIONI PER LA GESTIONE DEI BASSI

I processori e i ricevitori surround sound si basano sul concetto di gestione dei bassi per garantire l'invio differenziato delle basse frequenze dei vari canali agli altoparlanti che sono in grado di gestirle, e non agli altoparlanti di dimensioni più piccole che non hanno questa capacità. Gli altoparlanti THX Ultra2 Klipsch sono ottimizzati per l'impostazione della funzione di crossover THX. (In pratica, si tratta di un filtro di crossover da 80 Hz, con una sezione passa alto da 12 dB per ottava che alimenta gli amplificatori per gli altoparlanti satellite, e una sezione passa basso da 24 dB per ottava che alimenta l'amplificatore del subwoofer.) Tutti i ricevitori e i processori con certificazione THX includono questa impostazione per il crossover nei rispettivi sistemi di gestione dei bassi. I componenti surround sound non certificati THX normalmente hanno frequenze di crossover tra 80 e 100 Hz, con una pendenza tra 12 e 24 dB per ottava. Sebbene il crossover THX sia l'ideale per gli altoparlanti THX Ultra2 Klipsch, queste altre frequenze di crossover generalmente producono risultati accettabili. Indipendentemente da ciò, è buona norma impostare su "Small" tutti gli altoparlanti LCR e surround THX Ultra2 Klipsch nel menu di configurazione del ricevitore o del processore.

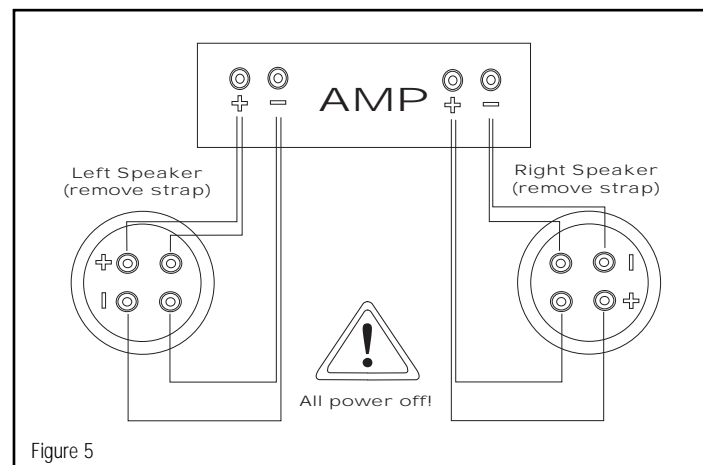


Figure 5

#### CURA E PULIZIA

L'unica cura che gli altoparlanti richiedono è una spolverata di tanto in tanto. Non usare mai né sostanze abrasive né detergenti forti o a base di solventi. Le griglie possono essere pulite con la spazzola accessoria di un aspirapolvere.

THX e Ultra2 sono marchi di fabbrica o depositati della THX LTD. Tutti i diritti riservati.

#### GARANZIA APPLICABILE FUORI DEGLI USA E DEL CANADA

Se questo prodotto viene venduto fuori degli USA o del Canada, esso è coperto da una garanzia conforme alle leggi locali e la validità di tale garanzia è di esclusiva responsabilità del distributore del prodotto stesso. Per richiedere un intervento in garanzia rivolgersi al rivenditore o al distributore.

# THX ULTRA2 LOUDSPEAKERS

## INSTRUÇÕES DE SEGURANÇA IMPORTANTES

1. LEIA estas instruções.
2. GUARDE estas instruções.
3. FIQUE ATENTO a todos os avisos.
4. SIGA todas as instruções.
5. NÃO use este aparelho perto de água.
6. LIMPE APENAS com um pano seco.
7. NÃO bloqueie nenhuma abertura de ventilação. Instale de acor do com as instruções do fabricante.
8. NÃO instale próximo de quaisquer fontes de calor, tais como radiadores, saídas de ar quente, fogões ou outros aparelhos (incluindo amplificadores) que produzam calor.
9. USE APENAS acessórios especificados pelo fabricante.
10. USE apenas com o carrinho, pedestal, tripé, suporte ou mesa especificado pelo fabricante ou vendido com o aparelho. Ao usar um carrinho, tome cuidado ao movê-lo com o aparelho para evitar se ferir caso caia.
11. NÃO exponha este equipamento a respingos ou borrifos e certi fique-se de que nenhum objeto que contenha líquidos, como vasos, sejam colocados sobre o equipamento.



O ponto de exclamação dentro de um triângulo equilátero visa alertar o usuário quanto à inclusão de instruções importantes sobre o funcionamento e a manutenção (reparos) no material impresso que acompanha o produto.



O símbolo do raio com uma seta, dentro de um triângulo equilátero, visa alertar o usuário quanto à presença de tensão perigosa não isolada dentro do compartimento do produto, que pode ser potente o suficiente para representar um risco de choque elétrico às pessoas.

**AVISO:** Para reduzir o risco de incêndio ou choque elétrico, não exponha este aparelho à chuva ou à umidade.

**AVISO:** Nenhuma fonte de chama exposta, como, por exemplo, uma vela, deve ser colocada sobre o produto.



**ATENÇÃO:** Não abra! Risco de choque elétrico. As tensões presentes neste equipamento podem causar risco de vida. Não há peças internas que possam ser reparadas pelo usuário. Toda manutenção deve ser realizada por pessoal de manutenção qualificado.

## SOBRE SUA AQUISIÇÃO DE UM PRODUTO DA KLIPSCH

Obrigado por adquirir as caixas acústicas Klipsch THX® Ultra2™. Depois de ler este manual e conectar seu sistema, você ouvirá o resultado de mais de 60 anos de engenharia precisa de ponta e pesquisa e desenvolvimento líder no setor. Como todos os produtos da Klipsch, estas caixas acústicas foram fabricadas com a tecnologia Tractrix® com corneta da Klipsch: o projeto utilizado como base fundamental do primeiro produto Klipschorn® desenvolvido em 1946 e de todos os outros produtos lançados posteriormente. A inclusão da corneta permite que as caixas acústicas tenham alta sensibilidade, baixa distorção, resposta de frequência estável e dispersão ampla.

## REMOÇÃO DA EMBALAGEM

A maneira mais fácil de retirar a caixa acústica de sua embalagem é virar o lado aberto da caixa para baixo encima de uma mesa ou no chão, com as orelhas da caixa viradas para fora. Basta então puxar a caixa para cima. Retire todos os materiais de embalagem da caixa acústica e da grade, coloque-os de volta na caixa e guarde-os caso seja necessário transportar a caixa acústica no futuro. Toda caixa acústica vem com suportes aderentes de borracha que devem ser instalados para evitar danos à caixa acústica ou à superfície sobre a qual será colocada. (Ver a figura 1).

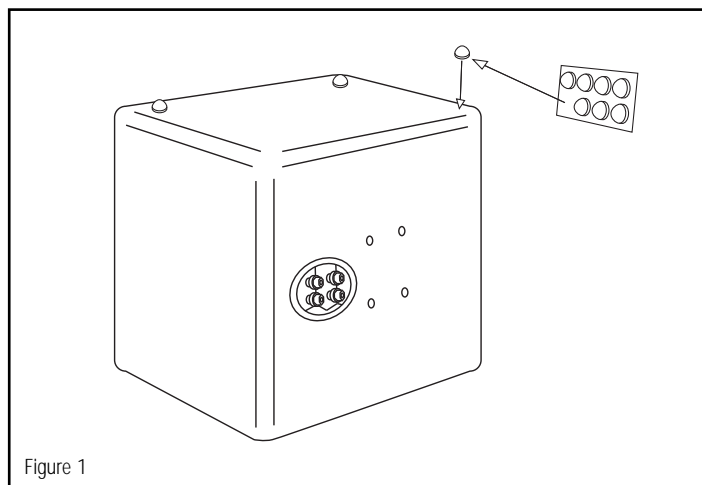


Figure 1

## POSICIONAMENTO

As caixas acústicas THX Ultra2 terão melhor desempenho quando posicionadas conforme as diretrizes THX, nas quais as instruções fornecidas a seguir estão baseadas. Todavia, não desanime caso seja necessário posicioná-las de uma maneira um pouco diferente ou se pequenos ajustes forem necessários para que o sistema tenha uma aparência bem melhor no local. As caixas acústicas foram projetadas para produzir excelente som em uma gama relativamente ampla de posições, dentro da estrutura básica de uma instalação de som surround de canais 5.1, 6.1 ou 7.1. Isto se aplica sobretudo às caixas acústicas surround WDST™ (Wide Dispersion Surround Technology), que proporcionam muitas outras opções práticas de posicionamento comparadas às caixas projetadas tradicionalmente. No fim, o que importa é o que você considera boa acústica e o que produz bons resultados no seu home theater.

Antes de entrarmos em detalhes, estas são algumas considerações sobre posicionamento que se aplicam a todas as situações.

### Regras gerais

- As caixas acústicas frontais geralmente produzem melhor som quando seus tweeters estiverem aproximadamente na altura dos ouvidos dos ouvintes na posição sentada. Se isto não for possível (o que normalmente é o caso para caixas acústicas do canal central), é possível às vezes melhorar os resultados inclinando-se as caixas acústicas um pouco de modo a ficarem voltadas para a área ocupada pelos ouvintes. As caixas acústicas do canal surround geralmente têm melhor desempenho quando posicionadas um pouco acima do nível do ouvido quando o ouvinte estiver sentado.
- Caso as caixas acústicas forem colocadas em uma prateleira ou armário, traga suas superfícies frontais para fora o suficiente para que estejam pelo menos alinhadas com a frente do móvel.
- Se for possível, posicione cada caixa acústica de modo que o alto-falante esteja a distâncias diferentes do chão, da parede atrás e da parede ao lado da unidade. O resultado também pode ser melhorado mantendo-se as caixas frontais esquerda e direita a distâncias diferentes das paredes mais próximas delas. Este tipo de posicionamento ajuda a reprodução de uma faixa de graves mais uniforme.



- Os graves e a resposta de qualquer caixa acústica são significativamente influenciados pela sua distância dos limites físicos da sala, tais como as paredes e o piso. Mover uma caixa acústica mais próxima de um limite físico da sala ampliará os graves produzidos. Afastá-la produzirá o efeito contrário. Portanto, é possível maximizar os graves produzidos por uma caixa acústica colocando-a em um canto e minimizá-los colocando-a no centro da sala.

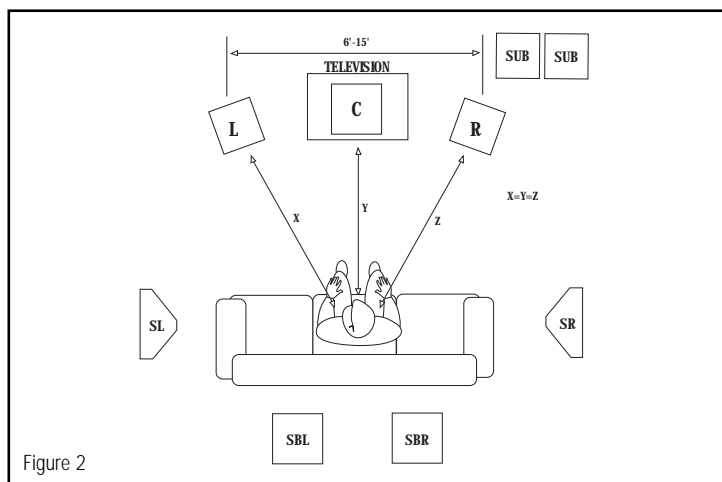


Figure 2

#### Configuração do sistema

A figura 2 mostra uma configuração de caixas acústicas de canais 7.1 em conformidade com o sistema THX-Ultra2. (A configuração para canais 5.1 é a mesma, sem as caixas acústicas surround traseiras, atrás do ouvinte). Unidades LCR (esquerda, central, direita) KL-650-THX ou KL-525-THX são usadas para os canais frontais esquerdo, central e direito. As unidades surround da esquerda e da direita são caixas acústicas KS-525-THX WDST™. As caixas acústicas surround traseiras são unidades LCR KL-650-THX ou KL-525-THX com pouco espaço entre si. Em algumas instalações, pode ser preferível usar unidades KS-525-THX para os canais surround traseiros, por serem mais compactas. O projeto WDST destas unidades produz excelentes resultados neste tipo de aplicação. Dois subwoofers KW-120-THX são necessários para atender aos requisitos de saída máxima THX Ultra2. Favor notar que esta especificação pressupõe a configuração em uma sala bem ampla. Em muitas instalações uma única unidade KW-120-THX será perfeitamente adequada. O amplificador subwoofer KA-1000-THX incluído pode excitar um ou dois subwoofers. Nos sistemas com dois subwoofers, é geralmente melhor colocá-los um ao lado do outro, ao invés de separá-los.

#### Caixas acústicas LCR frontais

Normalmente, o conjunto LCR pode ser todo composto de KL-650-THXs ou todo de KL-525-THX, porém a caixa acústica central pode ser diferente das caixas acústicas da esquerda e da direita. (Por exemplo, é possível combinar um par de unidades KL-650-THX para os canais frontais esquerdo e direito, com uma unidade KL-525-THX para o canal central). A caixa acústica do canal central deve ser centralizada ao longo da largura da tela da TV, diretamente acima ou abaixo dela ou, no caso de uma tela de projeção que permita a passagem do som, atrás dela. As caixas acústicas esquerda e direita devem ser posicionadas a distâncias iguais das extremidades da tela de TV. A distância exata depende do tamanho da tela. Um ponto de início razoável é posicionar as caixas acústicas esquerda e direita de modo que formem um triângulo equilátero com a posição do ouvinte. Considerando-se que a caixa acústica central ajuda a "ancorar" o som na tela, é geralmente melhor deixar as caixas acústicas da esquerda e da direita mais afastadas do que deixá-las muito próximas uma da outra. As caixas acústicas da esquerda e da direita devem estar voltadas para dentro, em direção à posição do ouvinte, como mostra a figura 2. Em algumas instalações, pode ser preferível montar as caixas acústicas LCR frontais na parede do que colocá-las em pedestais ou em um armário. Para permitir este tipo de instalação, as unidades KL-650-THX e KL-525-THX são configuradas para uso com os suportes de montagem em parede e teto OmniMount® da Série 60.0 (ver figura 3). Consulte as instruções detalhadas de instalação no manual do OmniMount.

#### Caixas acústicas surround da esquerda e da direita

Em instalações de canais 5.1 ou 7.1, as caixas acústicas surround da esquerda e da direita devem ser unidades KS-525-THX posicionadas lateralmente em relação à área de audição, geralmente nas paredes, ou encostadas nelas. Elas devem estar posicionadas um pouco acima do nível do ouvido quando o ouvinte estiver sentado – 1,5 a 2 metros acima do chão é uma boa distância. Se preferível, as caixas acústicas podem ser movidas para trás ao longo da parede até o máximo

de 20 graus atrás da posição do ouvinte, especialmente em um sistema de canais 5.1. Ao incorporar a WDST (Wide Dispersion Surround Technology), a unidade KS-525-THX proporciona muito mais amplitude caso seja necessária, produzindo bons resultados em configurações significativamente diferentes da configuração ideal. A unidade KS-525-THX tem um orifício de montagem que permite que seja pendurada na parede. Para usar o orifício, basta colocar um parafuso ou prego de tamanho apropriado na parede. Caso a parede seja feita de placas de gesso acartonado, o prego ou o parafuso deve ser fixado na direção de um caibro vertical (se possível). Caso contrário, use buchas adequadas no gesso acartonado ou argamassa. Além disso, a KS-525-THX está configurada para uso com os suportes de montagem em parede e teto OmniMount® da Série 20.0 (ver figura 3). Consulte as instruções detalhadas de instalação no manual do OmniMount.

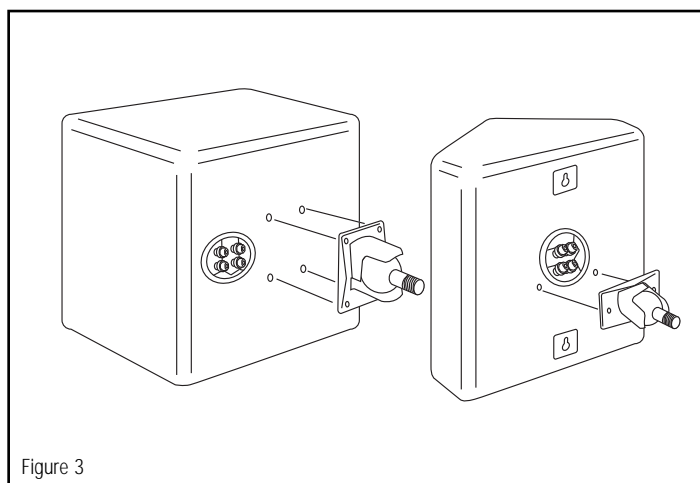


Figure 3

#### Caixas acústicas surround traseiras

Além das caixas acústicas surround da esquerda e da direita, as especificações do sistema de canais 7.1 THX Ultra2 incluem duas caixas acústicas surround traseiras com reprodução sonora voltada para a frente, posicionadas atrás do ouvinte, de preferência com pouca distância entre si. Estas unidades devem ser LCR KL-650-THX ou KL-525-THX, colocadas em pedestais ou, idealmente, montadas na parede traseira. Da mesma maneira que as caixas acústicas surround da esquerda e da direita, elas devem estar um pouco acima do nível do ouvido quando o ouvinte estiver sentado – cerca de 1,5 a 2 metros do chão. Em algumas instalações, pode ser preferível usar unidades KS-525-THX para os canais surround traseiros por serem mais compactas. O projeto WDST destas unidades produz excelentes resultados neste tipo de aplicação. Sugerimos que coloque as duas unidades KS-525-THX surround traseiras um pouco mais separadas entre si do que deixaria as LCR (canais esquerdo, central, direito).

#### Subwoofers

Dois subwoofers KW-120-THX e um amplificador KA-1000-THX são necessários para atender aos requisitos de saída máxima THX Ultra2. Favor notar que esta especificação pressupõe a configuração em uma sala bem ampla. No entanto, em muitas instalações uma única unidade KW-120-THX será perfeitamente adequada. Apesar de a unidade KW-120-THX ter bom desempenho em uma gama variada de posições, siga estas diretrizes simples para maximizá-lo:

- Apesar de a orientação do subwoofer não ser crucial, evite colocar o lado frontal da unidade voltado para uma parede.
- O nível do som produzido pelo subwoofer aumentará à medida que for posicionado mais próximo das paredes. O desempenho máximo é obtido quando ele é colocado em um canto. Se for possível, sempre coloque o subwoofer encostado ou próximo de uma parede.
- Na maioria dos ambientes, o subwoofer produzirá graves mais suaves quando colocado em um canto afastado de aberturas da sala, tais como portas. Portanto, se possível, comece com este posicionamento.
- Se mais de um subwoofer estiver sendo utilizado, geralmente obtém-se melhor desempenho colocando-os juntos no mesmo local, ao invés de separá-los.

# THX ULTRA2 LOUDSPEAKERS

Naturalmente, existem exceções às regras gerais, pois não existem salas ou sistemas exatamente iguais. Depois de conectar o subwoofer ao sistema e fazer os ajustes iniciais (consulte os detalhes no manual da unidade KA-1000-THX), sugerimos que faça alguns testes para verificar se é possível melhorar o desempenho.

## CONEXÕES

Nota: Para se obter boa qualidade de som, é crucial que a conexão das caixas acústicas ao amplificador ou receiver seja feita corretamente. Siga atentamente estas instruções. Conexões mal feitas podem danificar o amplificador ou fazer com que não funcione corretamente.

A fiação interna das caixas acústicas Klipsch THX Ultra2 são feitas com cabos de caixa acústica personalizados. São fabricados com a tecnologia que utiliza fios de cobre de alta pureza de vários diâmetros, cuidadosamente selecionados e enrolados para garantir a transferência ideal de sinais em todas as frequências. Para obter o melhor desempenho das caixas acústicas, conecte-as ao amplificador ou ao receiver usando os cabos semelhantes de alta qualidade disponíveis no revendedor. (A KW-120-THX é fornecida com um cabo de caixa acústica com certificação THX Ultra da de 6 metros de comprimento, com conectores de qualidade profissional nas extremidades para conexão aos conectores fêmeas no subwoofer e no amplificador KA-1000-THX.) No mínimo, recomendamos que seja utilizado fio de cobre trançado de bitola 16 AWG ou mais. Use fios de maior diâmetro para conexões longas a fim de manter a resposta de frequência correta e minimizar a perda de potência.

Atrás das caixas acústicas KL-650-THX, KL-525-THX e KS-525-THX existem dois conjuntos de terminais de conexão, um para alimentação do tweeter e o outro para os alto-falantes. Para a fiação convencional, estes conjuntos são conectados juntos com cintas metálicas banhadas a ouro, que podem ser removidas para conexões com dois cabos ou dois amplificadores. Explicaremos a conexão comum com um cabo e depois as conexões alternativas. Todas as informações sobre a conexão com um cabo também se aplicam à conexão com dois cabos.

## ANTES DE MAIS NADA: TIPOS DE CONECTORES

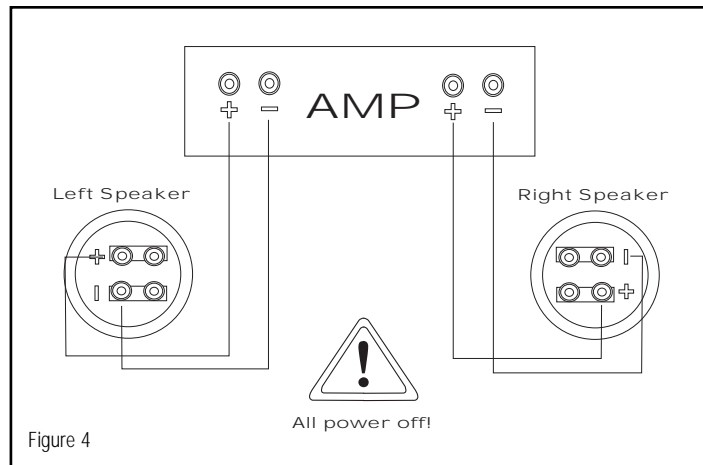
Fio exposto. Separe os dois condutores cerca de 2,5 cm e remova aproximadamente 0,5 cm de isolamento da extremidade de cada um. (Um alicate descascador de fios facilitará este procedimento, mas pode-se usar também um canivete comum para cortar em volta do isolamento até atingir o fio). Torça individualmente os dois segmentos de fios expostos de cada condutor. Solte as porcas de um par de terminais de conexão até que os orifícios dos terminais de metal estejam expostos. Insira a seguir os fios expostos através dos orifícios. Parafuse as porcas com os dedos para prender os fios. Certifique-se de que nenhuma parte do fio exposto conectado em um terminal de conexão esteja tocando no outro terminal ou em qualquer parte do fio exposto do outro condutor. Se esta precaução não for observada em uma das extremidades da conexão, poderá resultar em mau funcionamento ou dano no amplificador.

Pinos. Muitos cabos de caixas acústicas pré-fabricados têm pinos metálicos nas extremidades. Solte as porcas de um par de terminais de conexão até que os orifícios dos terminais de metal estejam expostos. Insira a seguir os pinos através dos orifícios. Parafuse as porcas com os dedos para prender os pinos — não as aperte demasiadamente.

Certifique-se de que nenhuma parte metálica dos dois pinos ou dos terminais de conexão estejam se tocando. Se esta precaução não for observada em uma das extremidades da conexão, poderá resultar em mau funcionamento ou dano no amplificador.

Bornes de conexão. Alguns cabos de caixas acústicas têm na extremidade bornes no formato de U, denominados bornes de conexão. Solte as porcas de um par de terminais de conexão e encaixe os bornes ao redor dos terminais de metal. Parafuse as porcas com os dedos para prender os bornes e examine-os para confirmar se estão firmemente no lugar. Certifique-se de que nenhuma parte metálica dos dois bornes ou dos terminais de conexão estejam se tocando. Se esta precaução não for observada em uma das extremidades da conexão, poderá resultar em mau funcionamento ou dano no amplificador.

Existem outros tipos de conectores especiais para facilitar a conexão das caixas acústicas. Consulte o revendedor autorizado Klipsch para obter sugestões e mais detalhes.



## CAIXAS ACÚSTICAS AO AMPLIFICADOR: CONEXÃO CORRETA

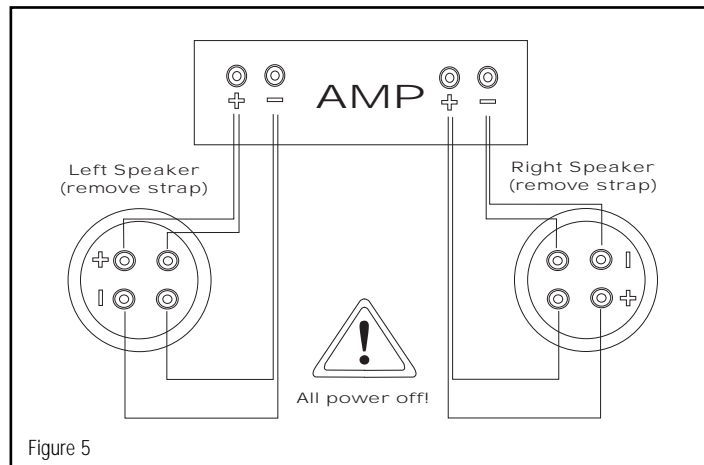
Um dos aspectos mais importantes sobre a conexão das caixas acústicas é mantê-las na mesma polaridade, ou fase. Se elas forem conectadas fora de fase, ocorrerá degradação de graves e da reprodução do som.

A maneira mais fácil de assegurar que as caixas acústicas estejam conectadas em fase é sempre conectar os terminais de saída positivo e negativo do amplificador ou receiver aos terminais correspondentes nas caixas acústicas: positivo ("+", identificado pela cor vermelha) a positivo e negativo ("-", identificado pela cor preta) a negativo (Ver a figura 4).

A maioria dos cabos de caixas acústicas pré-fabricados tem conectores identificados por estas duas cores, o que facilita a conexão correta das entradas e saídas. Caso o cabo utilizado não tenha esta característica, ou caso esteja utilizando seu próprio cabo com dois condutores emparelhados, procure por marcas de identificação no isolamento dos dois condutores. Normalmente, um dos condutores tem uma identificação impressa, uma faixa ou sulco em sua superfície.

Conexão com dois cabos - Neste tipo de conexão, cabos independentes são conectados a partir dos terminais de saída do amplificador ou receiver aos terminais de entrada do tweeter e dos alto-falantes de cada caixa acústica (ver a figura 5). Isto resulta em menor resistência elétrica entre o amplificador e a caixa acústica do que a conexão com apenas um cabo do mesmo diâmetro. Em alguns casos, a conexão com dois cabos pode ser preferível à conexão com um cabo de maior diâmetro, que será mais espesso e provavelmente menos flexível.

Para conectar as caixas acústicas THX Ultra2 com dois cabos, solte as porcas nos terminais de conexão e retire as cintas metálicas que ligam os terminais dos alto-falantes e do tweeter. Observando a polaridade correta, conecte um cabo aos terminais de conexão do tweeter e o outro nos terminais de conexão dos alto-falantes. Leve os dois cabos para o amplificador ou receiver e conecte-os ao mesmo canal. (Por exemplo, não conecte um a uma saída de caixa acústica A e o outro a uma saída de caixa acústica B em um amplificador ou receiver com comutação de caixas acústicas A/B). Os amplificadores podem sofrer danos graves se as cintas metálicas não forem removidas.



Conexão com dois amplificadores – Neste tipo de conexão, o tweeter e os alto-falantes são excitados por amplificadores independentes alimentados a partir da mesma saída de pré-amplificador. Não recomendamos a utilização deste tipo de conexão em nenhuma das nossas caixas acústicas, pois, em geral, não produzirá benefício algum que não possa ser obtido usando-se simplesmente um único amplificador de alta potência, além de poder causar degradação significativa do som se não for feita corretamente. Caso queira fazer este tipo de conexão, use o mesmo modelo de amplificador para as seções do tweeter e alto-falantes (para evitar erros na resposta de frequência causados por ganhos de amplificação diferentes) e não deixe de remover as cintas metálicas que ligam os dois conjuntos de terminais de entrada na caixa acústica. Os amplificadores podem sofrer danos graves se as cintas metálicas não forem removidas.

#### AJUSTES DE CONTROLE DE GRAVES

Os receivers e processadores surround usam um sistema conhecido como controle de graves para garantir que as baixas frequências nos vários canais sejam enviadas às caixas acústicas que conseguem processá-las bem, evitando enviá-las a caixas acústicas compactas que não têm esta capacidade. As caixas acústicas Klipsch THX Ultra2 são otimizadas para o ajuste de crossover THX. (Técnicamente, é um crossover de 80 Hz com uma seção passa-alta de 12 dB/oitava que alimenta os amplificadores das caixas acústicas satélite e uma seção passa-baixa de 24 dB/oitava que alimenta o amplificador subwoofer). Todos os receivers e processadores com certificação THX incorporam este crossover em seus sistemas de controle de graves. Os componentes sem esta certificação geralmente têm crossovers que variam de 80 Hz a 100 Hz e declives de 12 a 24 dB/oitava. Apesar de o crossover THX ser ideal para as caixas acústicas Klipsch THX Ultra2, estes outros crossovers geralmente produzem resultados aceitáveis. Independentemente disto, todas as caixas acústicas Klipsch THX Ultra2 LCE e surround devem ser configuradas como "Small" (Compactas) no menu de configuração de caixas acústicas do receiver ou do processador.

#### CUIDADO E LIMPEZA

A única coisa que você precisará fazer pelas caixas acústicas é retirar de vez em quando o pó acumulado nas superfícies. Nunca aplique qualquer tipo de produto de limpeza abrasivo ou à base de solventes, nem qualquer detergente forte. As grades podem ser limpas com a escova de um aspirador de pó.

THX e Ultra2 são marcas comerciais ou marcas registradas da THX Ltd. Todos os direitos reservados.

#### GARANTIA FORA DOS ESTADOS UNIDOS E CANADÁ

A garantia deste produto, quando vendido para um cliente fora dos Estados Unidos ou Canadá, deve estar de acordo com a legislação em vigor e é de inteira responsabilidade do distribuidor que vendeu o produto. Para obter os serviços aplicáveis previstos na garantia, entre em contato com o representante de quem você comprou o produto ou com o distribuidor do produto.

# THX ULTRA2 LOUDSPEAKERS

## INSTRUCCIONES IMPORTANTES DE SEGURIDAD

1. LEA estas instrucciones.
2. GUARDE estas instrucciones.
3. RESPETE todas las advertencias.
4. SIGA todas las instrucciones.
5. NO use este aparato cerca del agua.
6. LIMPIELO SOLAMENTE con un paño seco.
7. NO bloquee las aberturas de ventilación. Instale el aparato de acuerdo con las instrucciones del fabricante.
8. NO lo instale cerca de fuentes de calor, tales como radiadores, rejillas de calefacción, cocinas u otros aparatos (incluso amplificadores) que producen calor.
9. USE SÓLO los accesorios especificados por el fabricante.
10. PONGA el aparato solamente en el carrito, pedestal, tripode, soporte o mesa especificado por el fabricante o vendido con el aparato. Sea precavido cuando mueva el aparato en un carrito para evitar las lesiones que pueda producir un volcamiento.
11. NO exponga este aparato a goteras o salpicaduras de agua y asegúrese de que no se coloquen encima objetos llenos de líquido, tales como floreros.



El signo de admiración dentro de un triángulo equilátero tiene por objeto avisar al usuario que hay información importante sobre operación y mantenimiento (servicio) en los folletos que acompañan al producto.



El símbolo compuesto por un rayo con punta de flecha dentro de un triángulo equilátero tiene por objeto advertirle al usuario que dentro del aparato hay un "voltaje peligroso" no aislado cuya magnitud puede ser suficiente para constituir un riesgo de descarga eléctrica para las personas.

**ADVERTENCIA.** Para reducir el riesgo de incendio o descarga eléctrica, no exponga este aparato a la lluvia o a la humedad.

**ADVERTENCIA.** No se deben colocar fuentes de llama expuesta, tales como velas, encima de este producto.



**PRECAUCIÓN.** ¡No abrir! Riesgo de descarga eléctrica. Los voltajes que hay dentro de este equipo son peligrosos para los seres vivos. Dentro del dispositivo no hay piezas que el usuario pueda reparar. Encargue todo servicio al personal de servicio calificado.

## ACERCA DE SU COMPRA KLIPSCH

Gracias por la compra de los altavoces THX® Ultra2™ de Klipsch. subwoofer Klipsch. Después de leer este manual y conectar el sistema, usted oír los resultados de más de 60 años de una ingeniería rigurosa y una investigación y desarrollo de categoría mundial. Como todos los productos Klipsch, estos altavoces tienen tecnología de carga por trompeta Klipsch Tractrix®, que es el diseño orientador del primer Klipschorn® desarrollado en 1946 y de todos los productos que han venido después. La carga por trompeta permite a los altavoces tener alta sensibilidad, baja distorsión, respuesta de frecuencia plana y amplia dispersión, lo cual se traduce en la potencia, el detalle y la dinámica sin igual que son el sello distintivo del "Sonido Klipsch".

## DESEMPAQUE

La manera más fácil de sacar el amplificador de la caja es poner el lado abierto de la caja con las solapas desplegadas hacia afuera sobre una mesa o el piso. Luego jale la caja directamente hacia arriba para separarla del amplificador. Quite el material de empaquetado, póngalo en la caja y guarde la caja por si alguna vez necesita enviar el amplificador a alguna parte. Los altavoces vienen con patas adheribles de goma que se deben pegar para evitar dañar el altavoz o la superficie sobre la cual se encuentra (Vea la Figura 1).

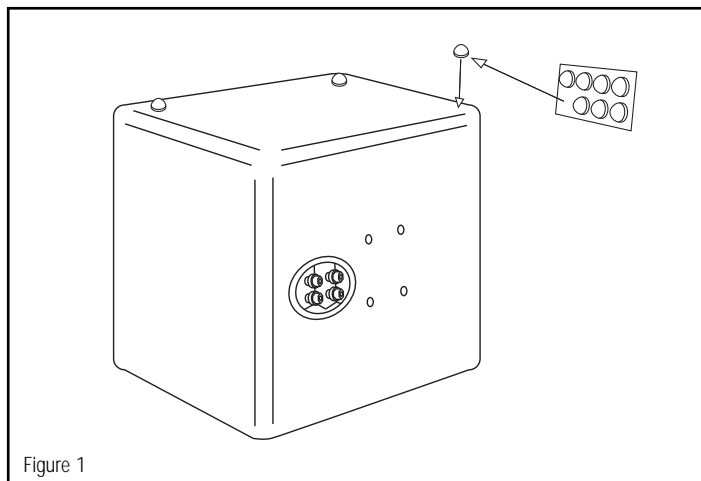


Figure 1

## UBICACIÓN

Los altavoces THX Ultra2 se desempeñan de manera óptima cuando se ubican de acuerdo con las pautas THX, en las cuales se basan estas instrucciones. Sin embargo, no se desanime si no es posible lograr la configuración ideal, o si ciertos ajustes menores hacen que el sistema se vea mucho mejor en la sala. Los altavoces han sido diseñados para producir excelente sonido sobre una gama relativamente amplia de ubicaciones dentro de un esquema básico de instalación de sonido surround de 5.1, 6.1 ó 7.1 canales. Esto ocurre en particular en el caso de los altavoces surround con Tecnología Surround de Amplia Dispersión (Wide Dispersion Surround Technology, WDS™), que ofrece muchas más opciones prácticas de ubicación que los diseños convencionales. A fin de cuentas, lo único que importa es que le suene bien a usted y que funcione en su cine en casa.

Antes de pasar a los detalles específicos, presentamos algunas consideraciones de ubicación que se aplican de manera universal.

### Reglas generales

Los altavoces frontales por lo general suenan mejor cuando los tweeters están aproximadamente a la altura del oído del oyente sentado. Si esto no es posible (como ocurre con frecuencia con los altavoces de canal central) a veces es bueno inclinar ligeramente los altavoces de manera que apunten hacia el oyente. Los altavoces de canal surround por lo general se desempeñan mejor cuando quedan ligeramente por encima del nivel del oído del oyente sentado.

- Si va a poner altavoces en un armario, intente que el frente de los altavoces quede por lo menos al ras del frente del armario.
- Cuando sea práctico, disponga los altavoces de manera que sus woofers queden a distancias ligeramente distintas del piso y de las paredes que haya detrás y al lado. También es bueno que los altavoces frontales derecho e izquierdo queden a diferentes distancias de las paredes más cercanas. Este tipo de escalonamiento contribuye a suavizar la gama de bajos.
- El rendimiento de bajos de todo altavoz se ve influido en gran medida por la distancia a que se encuentre de las superficies limitadoras de la sala, tales como las paredes y el piso. Acercar el altavoz a una superficie limitadora aumenta su salida de bajos, alejarlo la reduce. De este modo, usted obtiene el máximo de bajos colocando el altavoz en una esquina y el mínimo colocándolo en el centro de la sala.

## Configuración del sistema

La Figura 2 muestra una configuración de altavoces de 7.1 canales que satisface los requisitos THX-Ultra2. (La configuración de 5.1 canales es igual, menos los altavoces surround traseros ubicados detrás del oyente.) Se usan altavoces LCR (Izquierdo, Central, Derecho, (Left, Center, Right, LCR)) modelo KL-650-THX o KL-525-THX para los canales frontales derecho, central e izquierdo. Los surround derecho e izquierdo son altavoces KS-525-THX WDST™. Los surround traseros son altavoces LCR modelo KL-650-THX o KL-525-THX con poca separación. En algunas instalaciones, puede ser preferible usar altavoces KS-525-THX para los canales de surround trasero debido a su tamaño reducido. Su diseño WDST hace que funcionen muy bien en esta aplicación. Se necesitan dos subwoofers KW-120-THX para cumplir con los requisitos de máximo rendimiento THX Ultra2. Sin embargo, esta especificación supone una sala muy grande, y en muchas instalaciones un solo KW-120-THX será completamente adecuado. El amplificador de subwoofer KA-1000-THX acompañante puede hacer funcionar uno o dos subwoofers. En sistemas con dos subwoofers, por lo general es mejor colocarlos uno junto a otro en lugar de separarlos.

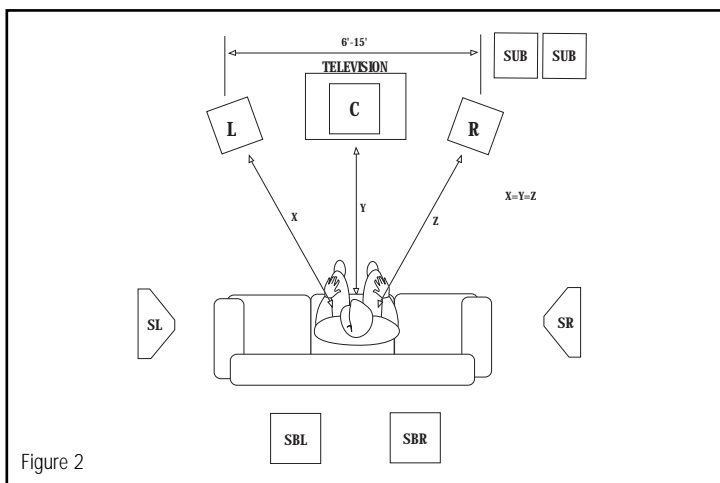


Figure 2

### Altavoces frontales LCR

Normalmente, la disposición sería sólo altavoces KL-650-THX o sólo altavoces KL-525-THX, pero el altavoz central puede ser diferente de los altavoces izquierdo y derecho (Por ejemplo, puede combinar un par de KL-650-THX como altavoces frontales derecho e izquierdo con un KL-525-THX al centro). El altavoz de canal central debe quedar centrado a lo largo del ancho de la pantalla de televisión, directamente encima o debajo o, en el caso de una pantalla de proyección frontal acústicamente transparente, detrás. Los altavoces derecho e izquierdo deben colocarse a distancias iguales de los bordes de la pantalla de televisión. Exactamente a qué distancia depende del tamaño de la pantalla. Un buen punto de partida es colocarlos de manera que formen un triángulo equilátero con el oyente. Como el altavoz central contribuye a anclar el sonido a la pantalla, por lo general es preferible que los altavoces derecho e izquierdo queden separados ligeramente en exceso en vez de demasiado cerca uno de otro. Los altavoces derecho e izquierdo deben quedar orientados hacia adentro hacia la posición del oyente, tal como se muestra en la Figura 2. En algunas instalaciones, puede ser deseable montar los altavoces LCR en la pared en lugar de ponerlos en pedestales o armarios. Para hacer esto, el KL-650-THX y el KL-525-THX han sido configurados de modo que se puedan montar con escuadras OmniMount® serie 60.0 de montaje en cielo raso y pared (Vea la Figura 3). Consulte el manual OmniMount para ver instrucciones detalladas de instalación.

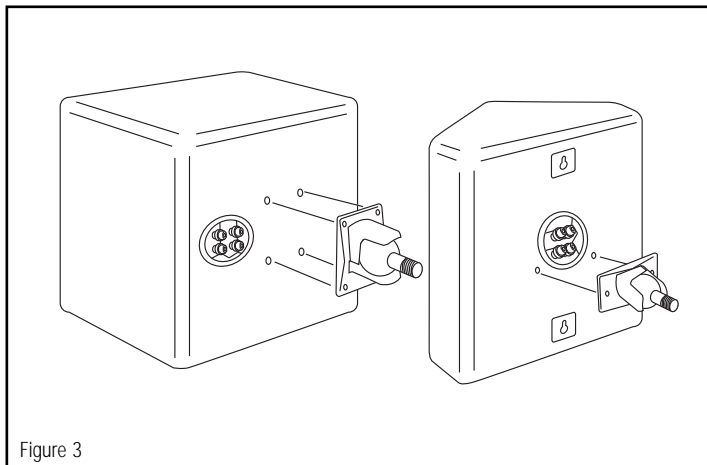


Figure 3

### Altavoces surround derecho e izquierdo

En una instalación de 5.1 ó 7.1 canales, los altavoces surround derecho e izquierdo son altavoces KS-525-THX ubicados a los lados del oyente, por lo general en las paredes o contra ellas. Deben estar ligeramente por encima del oído del oyente; un buen objetivo es entre cinco y seis pies de altura. Si lo desea, los altavoces se pueden desplazar hacia atrás a lo largo de la pared hasta 20 grados detrás de la posición del oyente, especialmente en el sistema de 5.1 canales. La Tecnología Surround de Amplia Dispersión (Wide Dispersion Surround Technology, WDST™) del KS-525-THX da mucha mayor flexibilidad y, en caso de que lo necesite, da buenos resultados en configuraciones que se diferencian considerablemente del ideal. El KS-525-THX tiene una montura tipo ojo de cerradura para montar el altavoz en la pared. Para usar el ojo de cerradura, todo lo que necesita es un tornillo o clavo del tamaño apropiado cuya cabeza sobresalga ligeramente de la pared. Si es posible, el tornillo o clavo debe ir sobre un paral interno de la pared; de no ser así, use anclas apropiadas en la pirca o el yeso. Además, el KS-525-THX ha sido configurado para que se pueda montar con escuadras OmniMount® serie 20.0 de montaje en cielo raso y pared. (Vea la Figura 3). Consulte el manual OmniMount para ver instrucciones detalladas de instalación.

### Altavoces surround traseros

Además de los surround derecho e izquierdo, las especificaciones del sistema THX Ultra2 de 7.1 canales requieren dos altavoces surround traseros orientados hacia adelante detrás del oyente, preferiblemente a no más de varios pies de distancia uno de otro. Estos serían altavoces LCR KL-650-THX o KL-525-THX colocados en pedestales o idealmente montados en la pared de atrás. Tal como los surround izquierdo y derecho, deben estar ligeramente por encima del nivel del oído del oyente sentado, aproximadamente a cinco o seis pies del piso. En algunas instalaciones, puede ser preferible usar altavoces KS-525-THX para los canales de surround trasero debido a su tamaño reducido. Su diseño WDST hace que funcionen muy bien en esta aplicación. Probablemente sea recomendable separar el par de altavoces surround traseros más de lo que separaría los LCR.

### Subwoofers

Se requieren dos subwoofers KW-120-THX y un amplificador KA-1000-THX para satisfacer los requisitos de rendimiento máximo THX Ultra2. Sin embargo, esta especificación supone una sala muy grande, y en muchas instalaciones un solo KW-120-THX será completamente adecuado. Aunque el KW-120-THX se desempeña bien en una gran variedad de ubicaciones, el mejor desempeño se obtiene siguiendo ciertas pautas simples:

- Aunque la orientación del subwoofer no es de importancia crítica, evite colocar el frente de la caja del subwoofer contra la pared.
- El rendimiento del subwoofer aumenta a medida que se acerca a las paredes y llega al máximo cuando se coloca en una esquina. Si es práctico, coloque siempre el subwoofer contra una pared o cerca de ella.
- En la mayoría de las salas, los subwoofers producen la respuesta de bajos más suave cuando se colocan en una esquina lejos de las aberturas, tales como las puertas. De modo que, si es posible, por ahí se debe empezar.
- Si está usando más de un subwoofer, por lo general se logra el mejor desempeño colocando los juntos en el mismo lugar en vez de separarlos.

Naturalmente, hay excepciones a las reglas generales, dado que no hay dos salas o sistemas exactamente iguales. Una vez que tenga el subwoofer conectado a su sistema y ajustado por lo menos aproximadamente (consulte el manual del KA-1000-THX para ver los detalles), puede experimentar para ver si puede mejorarlo.

## CONEXIONES

Nota. La conexión correcta de los altavoces al amplificador o receptor es de importancia vital para obtener buena calidad de sonido. Siga estas instrucciones cuidadosamente. Las conexiones descuidadas pueden dañar o hacer fallar el amplificador.

Los altavoces Klipsch THX Ultra2 vienen cableados internamente con cable de altavoz a la medida. Su diseño requiere cables de cobre de alta pureza de varios calibres, seleccionados y enrollados cuidadosamente para asegurar una transferencia óptima de la señal a todas las frecuencias. Usted obtendrá el mejor desempeño de los altavoces si los conecta al amplificador o receptor con o cable similar de alta calidad que su proveedor puede suministrarle. (El KW-120-THX viene con un cable THX de 20 pies de largo con certificación Ultra terminado en conec-



# THX ULTRA2 LOUDSPEAKERS

toresde calidad profesional que encajan en los enchufes del subwoofer y del amplificador KA-1000-THX acompañante.) Como mínimo, recomendamos que use cable trenzado de cobre calibre 16 o más pesado. Use cable de menor calibre (más pesado) para trayectos largos a fin de mantener la respuesta de frecuencia correcta y minimizar la pérdida de potencia.

En la parte de atrás de cada altavoz KL-650-THX, KL-525-THX y KS-525-THX hay dos conjuntos de terminales, uno que alimenta el tweeter y otro que alimenta los woofers. En el cableado convencional, estos conjuntos están interconectados con bandas de metal enchapadas en oro que se pueden quitar para hacer cableado doble o amplificación doble. Explicaremos primero el cableado simple común y corriente y luego las alternativas. Toda la información respecto al cableado simple se aplica también al cableado doble.

## PERO PRIMERO: TIPOS DE CONECTORES

**Cable sin aislamiento.** Despegue los conductores aproximadamente una pulgada y quite aproximadamente 1/4 de pulgada de aislamiento de los extremos. (Esto se simplifica con un pelacables, pero se puede usar una navaja de bolsillo común y corriente para cortar alrededor del aislamiento hasta el metal dentro del cable.) Trencé apretadamente las hebras de los conductores individuales. Afloje las tuercas de un par de terminales hasta que se vean los agujeros a través del metal, luego inserte la parte sin aislamiento de los cables a través de los agujeros. Atornille las tuercas a mano hasta el conductor. Asegúrese de que las hebras del conductor conectado a una terminal no toquen ni la otra terminal ni las hebras del otro conductor. No tomar esta precaución en cualquiera de los extremos de la conexión puede dañar o hacer fallar el amplificador.

**Clavijas.** Muchos cables de altavoz prefabricados terminan en clavijas de metal. Afloje las tuercas de un par de terminales hasta que se vean los agujeros a través del metal, luego inserte las clavijas a través de los agujeros. Atornille las tuercas a mano hasta las clavijas. No las apriete en exceso. Asegúrese de que no haya contacto de metal a metal entre las dos clavijas o terminales. No tomar esta precaución en cualquiera de los extremos de la conexión puede dañar o hacer fallar el amplificador.

**Orejetas de pala.** Algunos cables de altavoz vienen terminados en conectores en forma de U llamados orejetas de pala. Afloje las tuercas de un par de terminales, luego inserte las orejetas de pala alrededor de las terminales. Atornille las tuercas a mano hasta las orejetas de pala e inspecciónelas para asegurarse de que están firmemente en posición. Asegúrese de que no haya contacto de metal a metal entre las orejetas de pala o las terminales. No tomar esta precaución en cualquiera de los extremos de la conexión puede dañar o hacer fallar el amplificador.

Hay otros tipos de conectores especiales para facilitar el cableado de los altavoces. Consulte a su distribuidor autorizado Klipsch para que le dé sugerencias y más detalles.

## DE LOS ALTAVOCES AL AMPLIFICADOR: MANTENIMIENTO DE LA POLARIDAD

Uno de los aspectos más importantes de la conexión de altavoces es mantener la polaridad o fase. Si los altavoces se conectan desfasados, los bajos y la imagen de sonido se degradan.

La manera más fácil de asegurar que los altavoces estén cableados en fase es conectar siempre las terminales de salida positiva y negativa del amplificador o receptor a las terminales de entrada correspondientes de los altavoces: positiva ("+", roja) a positiva ("+", negra) a negativa (Vea la Figura 4).

La mayoría de los cables de altavoz prefabricados tienen conectores de colores que facilitan la correspondencia correcta entre entradas y salidas. Si los suyos no son así, o si usted está haciendo sus propios cables con cables de altavoz de dos conductores pegados, busque marcas de identificación en el aislamiento de los conductores. Normalmente hay letras, una banda o un resalto a lo largo de uno de los conductores.

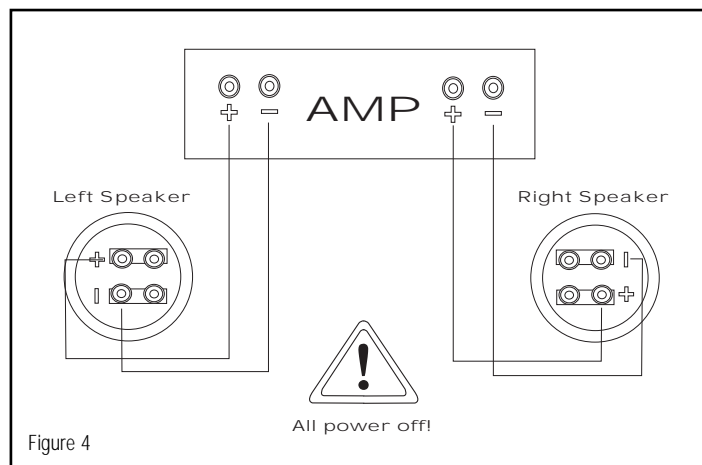


Figure 4

**Cableado doble.** En el cableado doble, se conectan cables separados desde las terminales de salida del amplificador o receptor hasta las terminales de entrada del tweeter y los woofers. (Vea la Figura 5). Esto produce menor resistencia eléctrica entre el amplificador y el altavoz que el cableado simple con cable del mismo calibre. En algunos casos, el cableado doble puede ser mejor que el cableado simple con cable de menor calibre, que tiende a ser más grueso y probablemente menos flexible.

Para hacerles cableado doble a sus altavoces THX Ultra2, afloje las tuercas de las terminales y quite las bandas de metal que unen las terminales del tweeter y del woofer. Manteniendo la polaridad correcta, conecte un cable a las terminales del tweeter y otro a las terminales del woofer. Encamine los dos cables hasta el amplificador o receptor y conéctelos al mismo canal. (No conecte, por ejemplo, uno a la salida del altavoz A y el otro a la salida del altavoz B en amplificadores o receptores con conmutación de altavoces A/B.) Los amplificadores se pueden dañar gravemente si no se quitan las bandas de metal.

**Amplificación doble.** En la amplificación doble, el tweeter y los woofers se hacen funcionar con amplificadores separados alimentados desde la misma salida de preamplificador. Recomendamos no hacer amplificación doble con nuestros altavoces, dado que por lo general esto no produce ningún beneficio que no pueda obtenerse simplemente usando un amplificador más grande, y puede causar una gran degradación de sonido si no se hace correctamente. Si usted hace amplificación doble, use amplificadores del mismo modelo en la sección del tweeter y en la del woofer (para evitar errores de respuesta de frecuencia causados por distintos niveles de amplificación), y asegúrese de quitar las bandas que unen los dos conjuntos de terminales del altavoz. Los amplificadores se pueden dañar gravemente si no se quitan las bandas de metal.

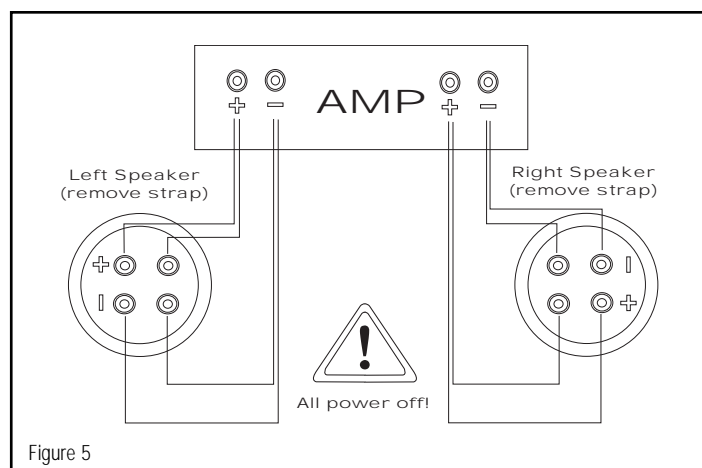


Figure 5

## CONFIGURACIONES DE ADMINISTRACIÓN DE BAJOS

Los procesadores y receptores de sonido surround usan lo que se conoce como administración de bajos para asegurar que las frecuencias bajas de los diversos canales se envían a los altavoces que pueden manejarlas bien y no a los altavoces pequeños que no pueden hacerlo. Los altavoces Klipsch THX Ultra2 han sido optimizados para la configuración de crossover de THX. (Técnicamente hablando, esto es un crossover de 80 Hz con una sección de pasabajas de 12 dB/octava que alimenta a los amplificadores de los altavoces satélite y una sección de pasabajas de 24 dB/octava que alimenta al amplificador del subwoofer.) Todos los procesadores y receptores con certificación THX tienen este crossover en sus sistemas de administración de bajos. Los componentes de sonido surround sin certificación THX por lo general tienen crossovers de 80 Hz a 100 Hz con pendientes de 12 a 24 dB/octava. Aunque el crossover THX es ideal para los altavoces Klipsch THX Ultra2, estos otros crossovers por lo general dan resultados aceptables. No obstante, todos los altavoces LCR (Izquierdo, Central, Derecho (Left, Center, Right, LCR)) THX Ultra2 de Klipsch y los altavoces de sonido surround deben fijarse en "Pequeño" (Small) en el menú de configuración de altavoces del procesador o el receptor.

## CUIDADO Y LIMPIEZA

Lo único que puede necesitar hacerles a los altavoces es quitarles el polvo de vez en cuando. No les aplique nunca limpiadores abrasivos o con base de solvente, ni ningún detergente fuerte. Puede quitarles el polvo a las rejillas con el accesorio de cepillo de la aspiradora.

THX y Ultra2 son marcas comerciales o marcas comerciales registradas de THX, Ltd. Reservados todos los derechos.

## GARANTÍA FUERA DE LOS ESTADOS UNIDOS Y CANADÁ

Si este producto se vende a un consumidor fuera de los Estados Unidos o Canadá, la garantía deberá cumplir con las leyes correspondientes y será responsabilidad exclusiva del distribuidor que lo suministró. Para obtener cualquier servicio de garantía aplicable, comuníquese con el minorista que le vendió este producto o con el distribuidor que lo suministró.

# THX ULTRA2 音箱

## 重要安全說明

1. 閱讀本說明書。
2. 保管本說明書。
3. 留意一切警告。
4. 根據本說明書的全部內容使用。
5. 使用本裝置時切勿靠近水。
6. 只能使用乾布進行清潔。
7. 切勿堵塞任何通風口。根據廠家提供的說明進行安裝。
8. 安裝時切勿靠近任何熱源，包括散熱器、調溫器、爐子以及其他發熱設備（含放大器）等。
9. 只使用廠家指定的附帶裝置/附件。
10. 只使用廠家指定的或與本設備配套銷售的推車、支架、三腳架、托架、或桌子等。使用推車時，請小心移動推車設備元件，避免其傾倒而損傷。
11. 本產品不得放置於有滴水或噴灑的地方。同時，任何裝有液體的物體（例如花瓶）也不得放置於本產品上。



產品使用冊中正三角形中的驚嘆號標誌，用來提醒使用者，這裡有重要的操作維護（維修）說明。



正三角形中帶箭頭的閃電標誌，用來提醒使用者產品外殼內有未絕緣的“危險電壓”，其電壓高到構成人身觸電危險。

警告：為避免引起火災或觸電，切勿讓本產品受雨淋或受潮。

警告：不得把帶火焰的物體（例如蠟燭）放置於本產品上。



警告：切勿打開！有電擊危險。本設備的電壓可能對生命造成危險。本設備內無用戶可維修的部件。請將所有維修工作交與具備維修資格之人士。

## 購買 KLIPSCH 產品說明

感謝您購買 Klipsch THX® Ultra2™ 揚聲器。在閱讀完本手冊並按照手冊連接好音響系統之後，您將聽到該音響系統發出的美妙聲音。這種美妙動聽的聲音源自五十五年多來嚴格的工程研發和業內領先的研發成果。與所有 Klipsch 產品一樣，您購買的分立式音箱同樣採用了 Klipsch Horn-loaded Technology 主導設計的專有技術。這項專有技術在 1946 年開發出的首台 Klipschorn® 產品以及後續的產品中得以採用。所有後續產品的主導設計也均採用了這項專有技術。使用 Horn-loading 技術能提高音箱的靈敏度，減少失真，獲得平滑的頻率回應和寬廣的頻帶效果，因而使您獲得無與倫比的功率、聆聽到精緻的細節和動態效果，這項技術樹立了“Klipsch 之聲”的品牌。請您務必填寫本手冊後附的質量保證卡，或上網 [www.klipsch.com](http://www.klipsch.com) 填寫質量保證卡，以便我們能更好地為您服務。再次感謝您購買 Klipsch 產品，我們希望 Klipsch 音箱在為您播放音樂和電影時，帶給您身臨其境的感覺，願 Klipsch 音箱伴隨您多年。

## 拆箱

拆掉音箱包裝紙箱的最簡便方法如下：把紙箱蓋鎖開，把紙箱開口的一面朝下置於桌子或地板上。然後直接把紙箱拉起來並取走。移開音箱和覆網的包裝物，把這些包裝物放回紙箱中存放，以備將來搬運音箱時使用。每個揚聲器配有粘連的橡皮地圖防止揚聲器和放置揚聲器的地面損害（見圖 1）

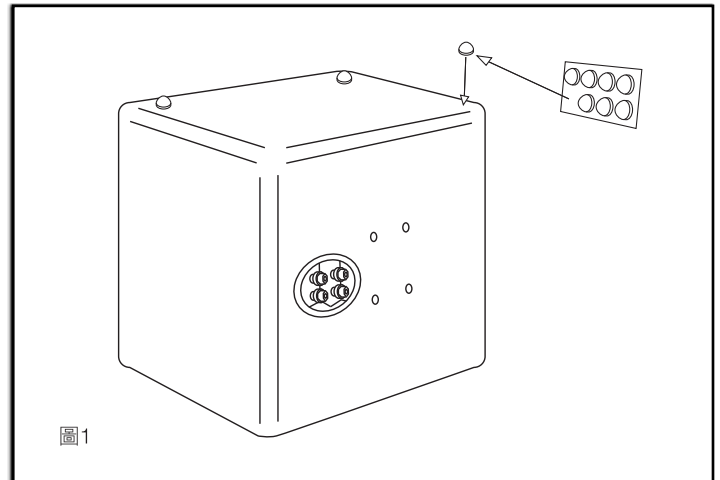


圖 1

## 擺放

如果按照 THX 下列說明要求擺放，閣下的 THX Ultra2 音箱將可獲得最佳效果。如有必要採用某些折中方案，或者適當的調整能使音響系統在房間裏顯得更好看一些的話，您也不妨這樣做。音箱的工程設計允許其在 5.1、6.1、或 7.1 聲道環繞聲安裝的基本框架內使用相對多的擺放方式時仍有優質的音響效果。WDS™（寬電感技術）尤其如此。它比常規設計提供更多的實際擺放選擇。重要的是在家庭影院中需要怎樣擺放才可以獲得動聽的聲音。

在介紹技術規格前，這裏是一些通常情況下都適用的擺放方法。

### 一般性規定

- 當前置音箱的高音喇叭與呈坐姿聆聽者的耳朵處於相近高度時，效果通常最好。如果無法這樣擺放（比如說中聲道音箱），那麼把音箱稍稍扭轉朝向聽者位置有時候會改善效果。環繞聲道音箱通常需放置得比前述（與坐者耳朵平行）的位置稍高一些才能獲得最佳效果。
- 如果要把音箱擺放在櫃子裏，儘量使音箱前部至少與櫃子前部保持平齊。
- 在擺放每只音箱時，儘可能使其低音喇叭與地板、後牆、側牆之間的距離稍有不同。使左右前置音箱與相鄰的側牆保持不同距離也能獲得更好的效果，因為這種交錯的擺放方式能使低音區顯得更平滑。
- 任何音箱的低音輸出和響應都會受到音箱與房間邊界（如牆和地板之間距離）的極大影響。使音箱靠近牆或地板等房間邊界將會使其低音輸出增大，反之將會使其低音輸出減小。因此把音箱放置在角落裏可以使其低音輸出最大，而將其放置在房間中央則使其低音輸出最小。

### 系統配置

圖 2 顯示的是一種符合 THX-Ultra2 7.1-聲道音箱的佈置方法。（5.1-聲道音箱的佈置方法除了不包括聽者所處位置後方的環繞後置音箱外與此相同。）前左、中、及右聲道使用 KL-650-THX 或 KL-525-THX LCR 音箱，左右環繞則使用 KS-525-THX WDS™ 音箱，環繞後置音箱為相鄰緊密的 KL-650-THX 或 KL-525-THX LCR 系列。由於 KS-525-THX 系列尺寸較小，在某些情況下更適合作為環繞後置聲道音箱使用。在此情況下其 WDS 設計能充分發揮作用。要達到 THX Ultra2 的最大輸出要求需要使用兩隻 KW-120-THX 超低音揚聲器。此要求適用於非常大的房間；很多情況下使用單只 KW-120-THX 就完全足夠了。配套的 KA-

1000-THX低音功率放大器能夠帶動一隻或兩隻超低音揚聲器。對於雙超低音揚聲器系統，通常最好把兩隻超低音揚聲器並排放置而不是分開放置。

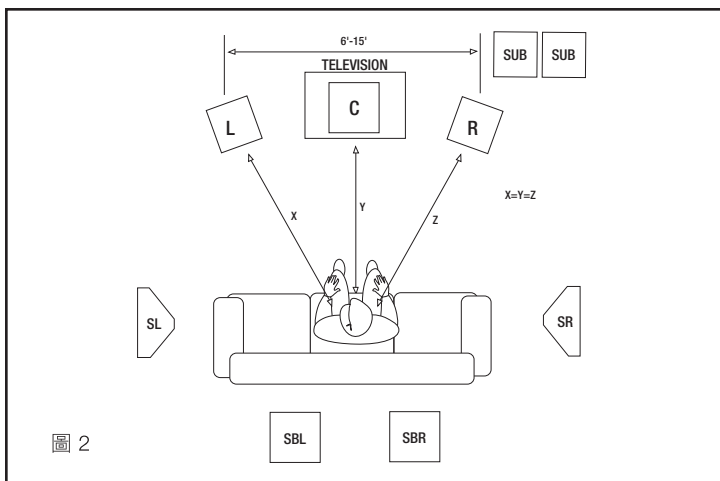


圖 2

### 前置LCR音箱

通常使用KL-650-THX或KL-525-THX系列的任何型號，但中置音箱可以與左右音箱不同。（比如可以組合使用一對KL-650-THX音箱作為前置左右聲道和一隻KL-525-THX音箱作為中央聲道。）中央聲道音箱應該以電視機螢幕的寬度為中心放置，可以直接放在螢幕上方或下方，也可以放置於不會影響音響效果的投影螢幕之後。左右音箱應該在電視機螢幕的兩邊等距離放置。音箱與電視機之間的距離大小取決於螢幕的尺寸大小。一種合理的基本擺放方法是使左右音箱與聽者所處的位置形成一個等邊三角形。由於中置音箱能將聲音定位於螢幕上，左右音箱之間的距離稍遠比靠得較近通常效果更好。左右音箱應朝內向聽者位置偏轉，如圖2所示。某些情況下，把前置LCR音箱安裝在牆上也許比放在支架上或櫃子中更好。基於這一考慮，KL-650-THX和KL-525-THX系列都可以與OmniMount® 60.0系列的牆上和天花板安裝托架配套使用（見圖3）。具體安裝說明請參看OmniMount手冊。

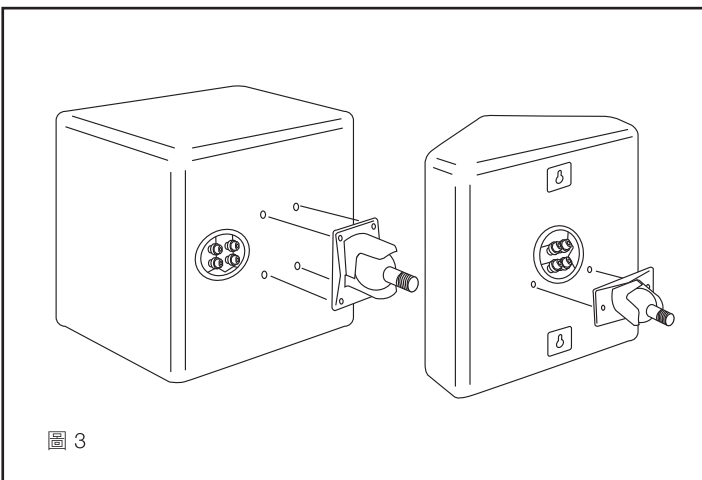


圖 3

### 環繞左右音箱

安裝 5.1或7.1聲道系統時，左右環繞音箱將使用KS-525-THX系列並放置於聽者位置的兩側，通常固定在牆上或靠牆擺放。位置應該稍稍高於呈坐姿聽者的耳朵高度——位於地板上方五、六英尺處即可。根據需要，特別是在安裝5.1聲道系統時，還可以把音箱沿牆向後移動到與聽者位置成20度夾角的位置。KS-525-THX的「寬環繞技術」(Wide Dispersion Surround Technology) 設計能根據需要提供更寬的環繞範圍，在音箱配置與理想要求有較大差距的情況下獲得很好的效果。KS-525-THX有一個用於將音箱掛到牆上的鎖眼裝置。使用鎖眼時，牆上要有尺寸合適的凸出螺絲頭或釘子。可能的話，應把螺絲或釘子固定在牆上的木條裏；如果牆上沒有木條，則乾牆或石膏牆裏一定要有合適的固定裝置。此外，KS-525-THX可以與OmniMount® 20.0系列的牆上和天花板安裝托架配套使用（見圖3）。具體安裝說明請參看OmniMount手冊。

### 環繞後置音箱

除左右環繞外，THX Ultra2 7.1聲道系統說明書還要求在聽者位置後面設置兩隻向前輻射的環繞後置音箱，音箱之間的距離最好不超過數英尺。可以使用KL-650-THX或KL-525-THX LCR系列，音箱可以放置在支架上，最好安裝在後牆上。如同左右環繞音箱一樣，位置應該稍稍高於呈坐姿聽者的耳朵高度——位於地板上方五、六英尺處。由於KS-525-THX系列尺寸較小，在某些情況下更適合作為環繞後置聲道音箱使用。在此情況下其“寬環繞技術”設計能充分發揮作用。您可以根據需要將一對KS-525-THX環繞後置音箱之間的距離擺放得比LCR系列更遠些。

### 超低音揚聲器

要達到THX Ultra2的最大輸出要求需要使用一台KA-1000-THX放大器和兩隻KW-120-THX超低音揚聲器。不過這適用於非常大的房間；很多情況下使用單只KW-120-THX就完全足夠了。雖然KW-120-THX音箱在大多數場合均表現良好，但是如果您能按照下面一些簡單說明擺放音箱將得到最佳效果：

- 超低音揚聲器朝向什麼方向擺放並不關鍵，但是要避免把超低音揚聲器箱體的前面板（驅動器面板）靠牆擺放。
- 隨著超低音揚聲器向牆壁方向移動，其輸出也隨之增加。當超低音揚聲器擺放到角落時，它會產生最大輸出。請儘可能把超低音揚聲器靠牆擺放或擺放在牆的附近。
- 在大多數的房間裏，如果超低音揚聲器擺放在角落，並且此角落遠離門一類的房間開口，則超低音揚聲器會產生流暢的低音響應。因此請儘量照此要求擺放。
- 如果您使用一個以上的超低音揚聲器，在同一區域內，您可以把它們擺放在一起，這樣可以產生最佳效果，擺放在一起所產生的效果比把它們分開擺放所產生的效果要好。

當然，一般性規定中也有例外情況，因為沒有兩個房間或者系統會一模一樣。一旦將超低音揚聲器與系統相連並至少進行了粗略的調節（細節參看KA-1000-THX手冊），您也許需要再次試驗以確定效果能否更好。

### 連接方法

請注意：把音箱正確連接到放大器或接收器對於獲得好的音質至關重要。請嚴格按照下述方法進行連接。隨意的連接可能會引起放大器異常工作或損壞。

Klipsch THX Ultra2音箱的內部連線採用常規Monster Cable® Z系列音箱線。其Frequency Specific™設計採用多種標號的精選高純度銅線編成以保證在任何頻率下得到最佳的信號傳輸。採用Monster Cable或從經銷商購買的相似質量線材連接音箱和放大器或接收機能使音箱得到最好的播放效果。（KW-120-THX配有一根20英尺長及經過Monster THX Ultra認證的1000系列音箱電纜，末端接有專業級連接器，該連接器與位於超低音揚聲器和配套KA-1000-THX放大器上的插座相匹配。）我們推薦使用至少16號或更重的絞銅線。進行超長連接時使用低標號（更重）的線材以保證正確的頻率回應和減少功率損失。

每只KL-650-THX，KL-525-THX和KS-525-THX音箱的後面有兩組接線柱，一組用於連接高音喇叭，另一組用於連接低音喇叭。為便於接線，接線柱上連有鍍金金屬片，進行雙線分音或雙放大器連接時均可移除。我們將首先解釋普通的單線連接，然後是其替代連接。有關單線連接的所有資訊都可用於雙線分音連接。

### 首先考慮：連接器類別

**裸線：**撕開兩條導線約一英寸長，分別從底部剝開約1/4英寸的絕緣層。（使用電工剝線鉗操作起來更簡便，但也可使用普通的小刀把絕緣層沿四周剝開。）分別把線繞緊在連接器上。擰鬆一對接線柱上的螺帽至露出橫穿金屬柱的小孔，然後把裸線穿過小孔。用手指把螺帽緊擰在線上。確保兩個接線柱之間或一個接線柱與另一連接器之間的線纜不會互相接觸。如接線兩端未照此操作，則可能導致放大器異常工作或損壞。

**插頭：**許多預製的音箱連線末端具有金屬插頭。擰鬆一對接線柱上的螺帽至露出橫穿金屬柱的小孔，然後把插頭插入小孔。用手指把螺帽緊擰在插頭上——



# THX ULTRA2 音箱

不要擰得過緊。確保兩個插頭或接線柱之間沒有金屬接觸。如接線任何一端未照此操作，則可能導致放大器異常工作或損壞。

**平接線片：**某些音箱連線末端具有稱為平接線片的U形連接頭。擰鬆一對接線柱上的螺帽，把平接線片滑入並抱住金屬柱。用手指把螺帽擰緊在接線片上，檢查其是否鬆動。確保兩個接線片或接線柱之間沒有金屬接觸。如接線任何一端未照此操作，則可能導致放大器異常工作或損壞。

還可使用其他類型的專用接頭來進行音箱連接。詳情請與經過授權的Klipsch經銷商聯繫。

## 從音箱到放大器：按規則連接

連接音箱時，最重要的是使其極性或相位相同。假如連接時相位相反，低音和聲音成音質量將會下降。

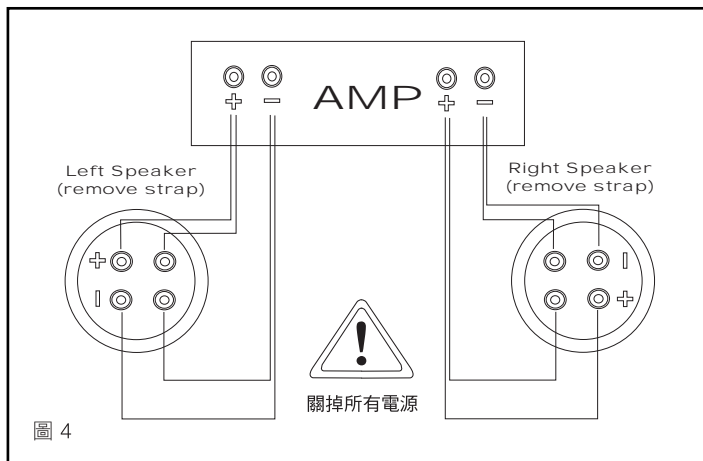
確保音箱連接時相位相同的最簡便方法是把放大器或接收機上的正負極輸出端子連接到音箱上的相應輸入端子上：正極（紅色為“+”）接正極，負極（黑色為“-”）接負極（如圖4）。

多數預製的音箱連線有顏色的連接頭以便正確連接輸出和輸入端子。假如您的連線沒有帶色標的連接頭，或您使用成對的兩根導線自製連線時，可以在兩根導線的絕緣層上找到識別標誌。通常情況下，導線上會印有一條色帶或有澆鑄的隆起。

## 雙線分音連接

進行雙線分音連接時，採用分離的連線來連接放大器或接收機的輸出端子和音箱高音喇叭和低音喇叭的輸入端子（如圖5）。這種連接與使用同一標號連線的單線連接相比，能降低放大器和音箱之間的電阻。某些情況下，雙線連接比使用低標號連線的單線連接更可取，因為後者更粗，不易彎曲。

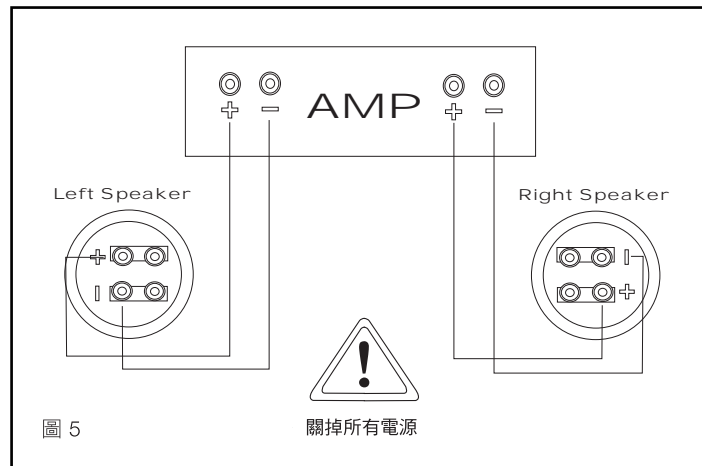
對您的THX Ultra2音箱使用雙線連接時，擰鬆接線柱上的螺帽並移除連接低音喇叭和高音喇叭端子的金屬片。按照正確的極性把線分別連接到高音喇叭接線



柱（上）和低音喇叭接線柱（下）。再把兩根線拉到放大器和接收機處並接入同一聲道。（比如，在具有A/B音箱轉換功能的放大器或接收機上，不要把一根線接入音箱A的輸出端而把另一根接入音箱B的輸出端。）如果不移除金屬片，放大器可能受到嚴重損壞。

## 雙放大器連接

進行雙放大器連接時，高音和低音喇叭由採用同一前置放大器輸出的兩台放大器分別驅動。我們不推薦對我們的音箱採用雙放大器連接，因為從總體上說，使用一台更大功率的放大器也能獲得使用雙放大器所能達到的效果，而且雙放大器如果使用不當會引起嚴重的聲音變質。如果要採用雙放大器連接，請對高音和低音單元使用同一型號的放大器（以防止由不同的放大器增益引起的頻率響應錯誤），並務必移除連接音箱兩組輸入端子的金屬片。如果不移除金屬片，放大器可能受到嚴重損壞。



## 低音管理設置

環繞聲接收機和處理器使用所謂的低音管理來確保不同聲道中的低頻信號被送到能對其進行良好處理的音箱，並且避免把其送到無法對其進行處理的小音箱。Klipsch THX Ultra2音箱均為這一THX交叉設置而進行過優化。（從技術上說，這是一個80Hz分頻，其12dB/八音度高通單元饋入衛星音箱所用功率放大器，其24dB/八音度高通單元饋入超低音揚聲器功率放大器。）所有THX認證的接收機和處理器都在其低音管理系統中使用這種分頻。非THX的環繞聲組件通常在80到100Hz範圍分頻，其斜率為12到24dB/八音度。儘管THX交叉是Klipsch THX Ultra2音箱的理想方式，其他的此類分頻通常都能取得可以接受的效果。無論使用何種分頻，對於所有的Klipsch THX Ultra2 LCR和環繞音箱，都應該在接收機或處理器的音箱設置功能表上設為“Small”（小）。

## 保護和清潔

您唯一需要定時做的事就是給音箱 灰。不要使用任何摩擦性或溶解性清潔劑以及任何粗糙的去污劑。面網可以使用真空吸塵器的刷抹裝置進行清潔。

THX和Ultra2為THX LTD公司的商標或註冊商標。保留所有權利。



# Power.

# Detail.

# Emotion.

For over 60 years, we've made speakers for people who are as passionate about great sound as we are. That's why every Klipsch speaker is horn-loaded to create a remarkably accurate listening experience for your music and movies. From our smallest satellites to our acclaimed professional theater installations, our speakers deliver sound that's so lifelike, you have to feel it to believe it.