



Electrolux

DISHWASHER

EW24ID80QS

Featuring Wave-Touch® Electronic Controls



PRODUCT DIMENSIONS

Height (Adjustable)	33-3/4" – 35-3/4"
Width	23-3/4"
Depth	24-1/4"

MORE EASY-TO-USE FEATURES

THIRD-LEVEL RACK

Convenient space for spatulas and unique kitchen tools, or extra room for everyday utensils. Easily lifts out for convenient unloading.

EASY-LIFT ADJUSTABLE RACKS

Versatile racking system easily adjusts to provide the perfect place for all your dishware — no pinching, pulling, or toggling required.

LUXURY SOFT GRIP RACKS

Luxury Soft Grip Racks hold plastics and dishware in place, and prevent flipping, for a more thorough clean.

PERFECT STEMWARE™ GRIPS

Eighteen flexible grips gently hold stemware and other delicate items for a secure wash, every time.

LUXURY-QUIET™ DISHWASHER + SMART CLEAN LIGHT

A sound package so quiet, we engineered Smart Clean Light to let you know how much time is left in the cycle, and when your dishes are clean and ready.

SMARTSOIL™ SENSOR

Responsive technology that delivers a more effective, more efficient clean by continuously monitoring water purity to determine exactly how long a cycle should run.

MORE CYCLES

With up to nine cycles — including Heavy, Normal, Fast Wash, Auto, Upper Rack Only, Eco Wash, Stemware, Rinse Only, and “My Favorite” — you can choose the perfect wash for any occasion.

MORE OPTIONS

An even more amazing wash with unique options like Air Dry, NSF® Certified Sanitize Rinse, Hi-Temp Wash, Max Dry, and Delay Start (1-24 hours).

FLEXIBLE UTENSIL BASKET

With a large capacity utensil basket that can be split, reconfigured, and placed anywhere, you have even more loading options.

Available in:



Stainless (S)

SIGNATURE FEATURES



PROCLEAN™ SYSTEM

Professional-level clean with ProClean™ System, featuring SatelliteSpray™, 30-minute Fast Wash Cycle, and Target Wash Zones.



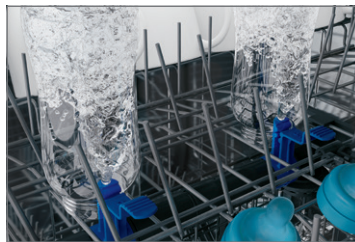
SATELLITESPRAY™ ARM

An innovative rotating wash zone gives you 400% more water coverage, targeting virtually every spot in your dishwasher for a truly professional-level clean.



30-MINUTE FAST WASH CYCLE

Thoroughly cleans in just 30 minutes.



TARGET WASH ZONES

Four flexible spray jets deliver a targeted wash to the most challenging dirty dishes, from sport bottles to heavy-duty pots and pans.

DISHWASHER

EW24ID80QS



Electrolux

24" BUILT-IN DISHWASHER

FEATURES

Stainless Steel Interior	Yes
Signature Soft-Arc Handle Design	
Luxury-Hold™ Door	Yes
Wave-Touch® Electronic Controls	Yes
Fully Integrated Control Panel	Yes
Tall-Tub Design	Yes
ProClean™ Wash System	Yes
SatelliteSpray™ Arm	Yes
Target Wash Zones	4
Wash Levels	5
AquaLux™ Wash System	Yes
Luxury-Quiet™ Sound Package	Yes
Sound Level	45 dB
SmartSoil™ Sensor	Yes
Luxury-Dry™ System	Yes
Adjustable Rinse Aid Dispenser with Indicator	Yes
ENERGY STAR®	Yes
Reclaimable	

CYCLES

Auto Wash	Yes
Heavy	Yes
Normal	Yes
Fast Wash (30-Min.)	Yes
China / Crystal	
Perfect Stemware™ Cycle	Yes
Favorite	Yes
Eco Wash	Yes
Upper Rack Only	Yes
Rinse Only	Yes

OPTIONS

Hi-Temp. Wash	Yes
Heat / No Heat Dry	Yes
Max Dry	Yes
NSF® Certified Sanitize Option	Yes
Delay Start (Hours)	1-24

RACK SYSTEM

Nylon Rack System	Sure-2-Fit®
Luxury-Glide® Nylon Upper Rack –	
Adjustable Height	Yes
Cup Shelf / Perfect Stemware™ Holders	4 / 18
Fold-Down Tines	4 Rows
Rack Handle	Yes
Luxury-Glide® Nylon Lower Rack –	
Fold-Down Tines	6 Rows
Stemware / Champagne Glass Holders	2
Silverware Basket	2-Piece Split
Rack Handle	Yes
Third-Level Rack (Single Tray)	Yes

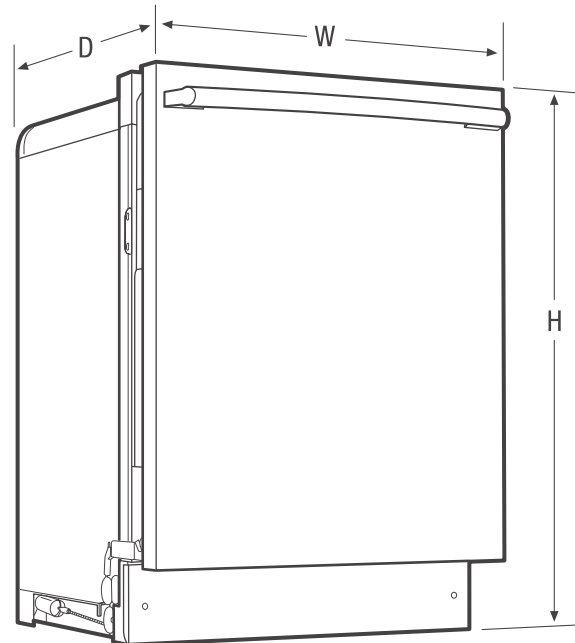
SPECIFICATIONS

Color –	
Stainless Steel	S
Power Supply Location	Right Bottom Front
Water Inlet Location	Left Bottom Front
Water Usage (Gallons) – Normal Cycle	4.0 – 8.0
Water Pressure (PSI)	15 – 120
Integral Air Gap on Supply	Yes
Voltage Rating	120V / 60 Hz
Connected Load (kW Rating) @120 Volts†	1.44
Amps @ 120 Volts	15
Shipping Weight (Approx.)	115 Lbs.

† For use on adequately wired 120V, dedicated circuit having 2-wire service with a separate ground wire. Appliance must be grounded for safe operation.

NOTE: Always consult local and national electric and plumbing codes. Refer to Product Installation Guide for detailed installation instructions on the web at electroluxappliances.com.

Specifications subject to change.



PRODUCT DIMENSIONS

Height (Adjustable*)	33-3/4" – 35-3/4"
Width	23-3/4"
Depth	24-1/4"
Depth with 90° Door Open	50-1/4"

*Height only adjustable to 35-3/4" max. when installed in 35-3/4" max. standard cabinetry cutout to allow for 5/16" min. clearance.

Electrolux Major Appliances, N.A.

USA • 10200 David Taylor Drive • Charlotte, NC 28262 • 1-877-4electrolux (1-877-435-3287) • electroluxappliances.com
 CANADA • 5855 Terry Fox Way • Mississauga, ON L5V 3E4 • 1-800-265-8352 • electroluxappliances.ca

EW24ID80Q 04/14

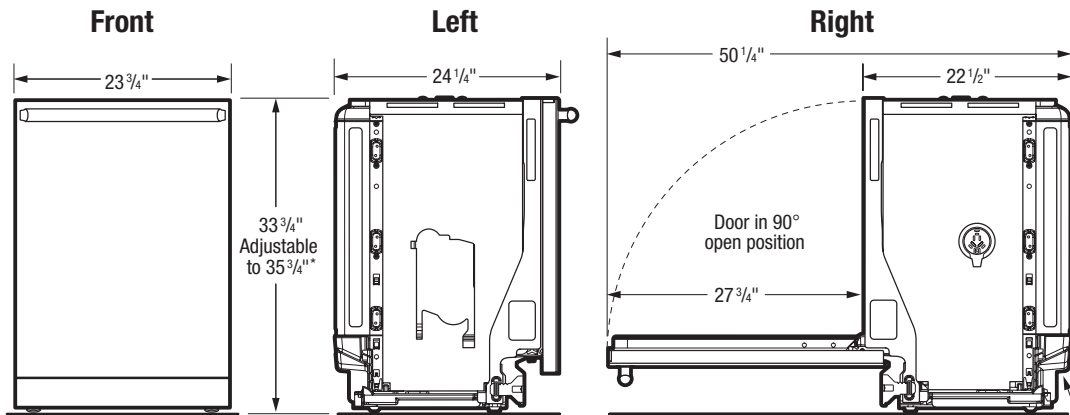
© 2014 Electrolux Home Products, Inc.

Meets requirements of ASSE 1006



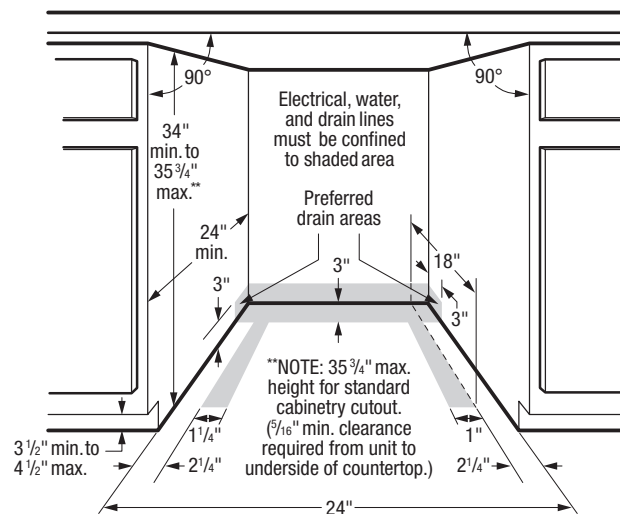
NSF Protocol for Sanitization and Cleaning Performance of Household Spray-Type Dishwashers (1997)

High standards of quality at Electrolux Home Products, Inc. mean we are constantly working to improve our products. We reserve the right to change specifications or discontinue models without notice.



*Height only adjustable to 35 3/4" max. when installed in 35 3/4" max. standard cabinetry cutout. (Dimensions do NOT include insulation – insulation blanket may be compressed during installation.)

Power supply & water inlet location (bottom rear)



Electrical, water, and drain lines must be confined to shaded area

Preferred drain areas

NOTE: 35 3/4" max. height for standard cabinetry cutout. (3/16" min. clearance required from unit to underside of countertop.)

Built-In Dishwasher Specifications

- Product Weight – 98 Lbs.
- Voltage Rating – 120V/60Hz
- Connected Load (kW Rating) @120 Volts = 1.44 kW
(For use on adequately wired 120V, dedicated circuit having 2-wire service with a separate ground wire. Appliance must be grounded for safe operation.)
- Amps @ 120V = 15.0
- Always consult local and national electric & plumbing codes. Meets requirements of ASSE 1006—integral air gap on supply.
- Water Pressure – Hot water line to dishwasher must provide between 20 and 90 pounds per square inch (psi) with at least 120° F hot water temperature.
- Make sure location has correct drain, water and electrical outlets to make connections.
- Electrical and water supplies should enter cabinet opening on floor, or through back or side walls, as shown in shaded areas.
- Keep back free of drain, water & electrical supply.
- Connections preferably located toward left side of dishwasher. Do not cross drain, water or electrical lines in front of motor, blower or frame.
- If connecting drain hose to sink trap, local code may require installation of Air Gap Kit (not included).
- Leveling legs supplied to adjust height. (Note: Height only adjustable to 35-3/4" max. when installed in 35-3/4" max. standard cabinetry cutout. 5/16" min. clearance required from top of unit to underside of countertop. Dimensions do NOT include insulation — insulation blanket may be compressed during installation.)
- When installing adjacent to wall, cabinet or other obstruction that extends beyond front edge of unit, allow 2" minimum clearance between opened door and obstruction.
- Floor should be flat and free of obstructions.
- When installing at end of cabinet line, sides and back must be fully enclosed.
- Do not install unit under a cooktop, damage will occur.
- Recommended to seal cabinets, enclosing all sides of dishwasher, including underside of countertop, with oil-based paint or moisture-proof polyurethane to prevent possible steam/moisture damage.

Note: For planning purposes only. Refer to Product Installation Guide on the web at electroluxappliances.com for detailed instructions.

Electrolux Major Appliances, N.A.

USA • 10200 David Taylor Drive • Charlotte, NC 28262 • 1-877-4electrolux (1-877-435-3287) • electroluxappliances.com
 CANADA • 5855 Terry Fox Way • Mississauga, ON L5V 3E4 • 1-800-265-8352 • electroluxappliances.ca

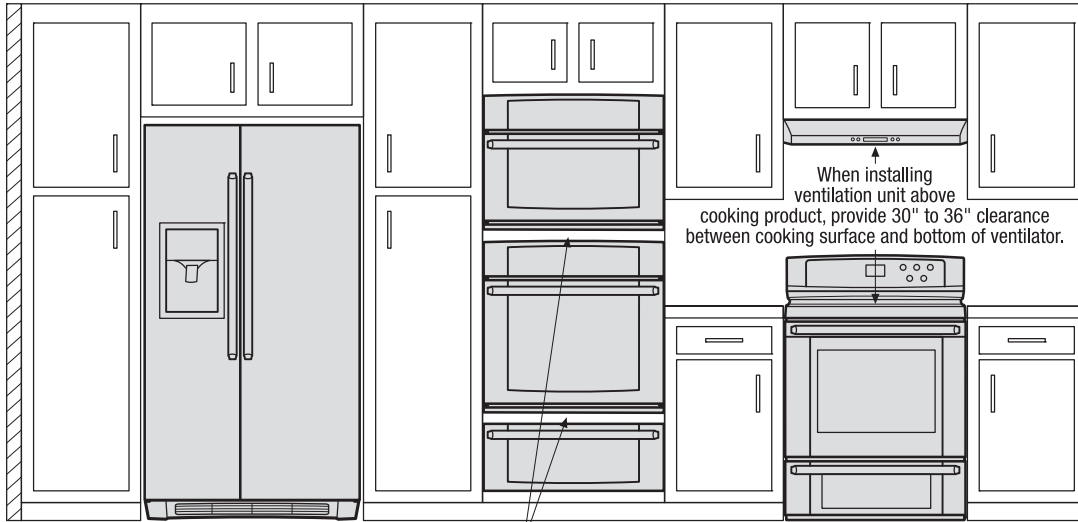
General Installation Guidelines

For Installation with Side-by-Side Refrigerator

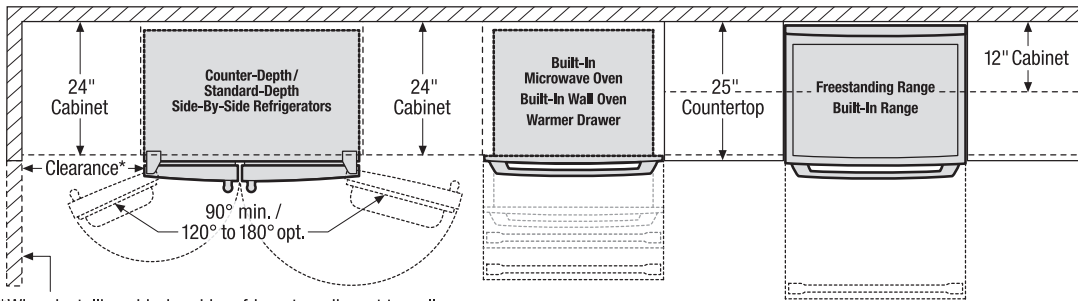


Use these dimensions and clearance instructions for planning purposes only. For detailed installation instructions, refer to installation guide, packed with product, or on the web at electroluxappliances.com.

Front



Top

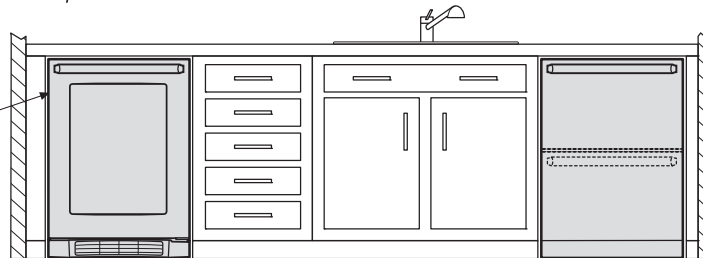


*When installing side-by-side refrigerator adjacent to wall, cabinet or another appliance that extends beyond front edge of unit, 20" minimum clearance recommended to allow for optimum 120° to 180° door swing, providing complete drawer/crisper access and removal. (Absolute 4-1/2" minimum clearance will ONLY allow for 90° door swing which will provide limited drawer/crisper access with restricted removal.)

When installing appliance with sliding drawer or drop-down door directly across from obstructions, provide sufficient clearance for drawer extension or door swing.

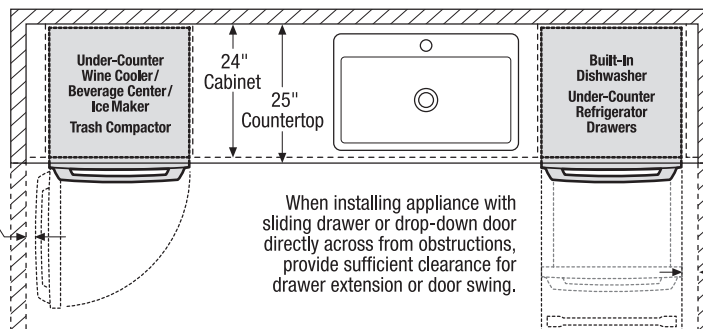
Front

To ensure optimum performance, avoid installing refrigeration appliances in direct sunlight or near heat source.



Top

When installing appliance with side-swing door adjacent to wall, cabinet, or other obstruction that extends beyond front edge of appliance, door swing and handle clearance must be sufficient to allow access to appliance interior.



When installing appliance with sliding drawer or drop-down door adjacent to wall, cabinet, or other obstruction that extends beyond front edge of appliance, allow 2" minimum clearance between drawer or door and obstruction.

Electrolux Major Appliances, N.A.

USA • 10200 David Taylor Drive • Charlotte, NC 28262 • 1-877-4electrolux (1-877-435-3287) • electroluxappliances.com
 CANADA • 5855 Terry Fox Way • Mississauga, ON L5V 3E4 • 1-800-265-8352 • electroluxappliances.ca

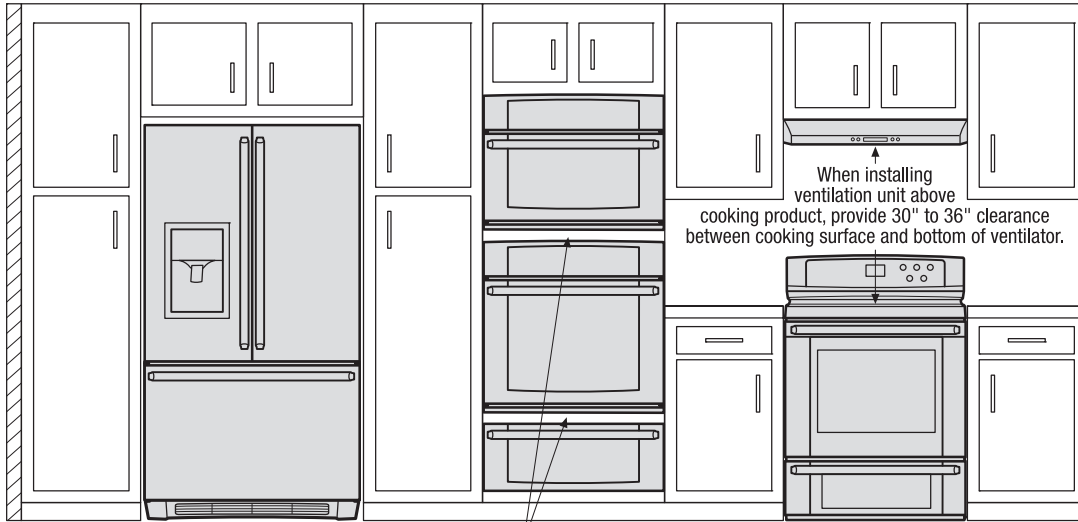
General Installation Guidelines

For Installation with French Door Refrigerator



Use these dimensions and clearance instructions for planning purposes only. For detailed installation instructions, refer to installation guide, packed with product, or on the web at electroluxappliances.com.

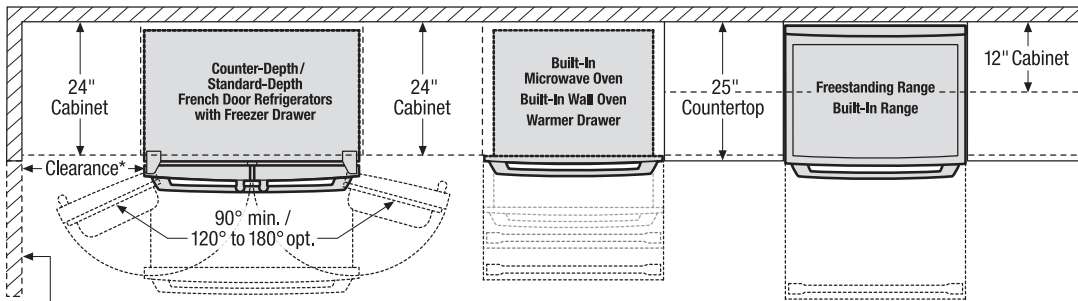
Front



When installing built-in cooking appliances in combination, 2"-high minimum visible gap between appliance faceplates required.

Clearance information for cooking appliances, provided in specific product's installation guide.

Top

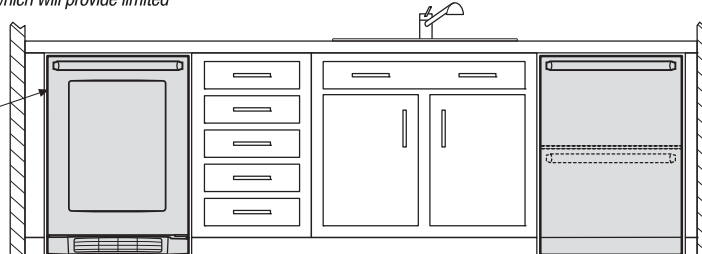


*When installing a French door refrigerator adjacent to wall, cabinet or another appliance that extends beyond front edge of unit, 20" minimum clearance recommended to allow for optimum 120° to 180° door swing, providing complete drawer / crispener access and removal. (Absolute 4-1/2" minimum clearance will ONLY allow for 90° door swing which will provide limited drawer / crispener access with restricted removal.)

When installing appliance with sliding drawer or drop-down door directly across from obstructions, provide sufficient clearance for drawer extension or door swing.

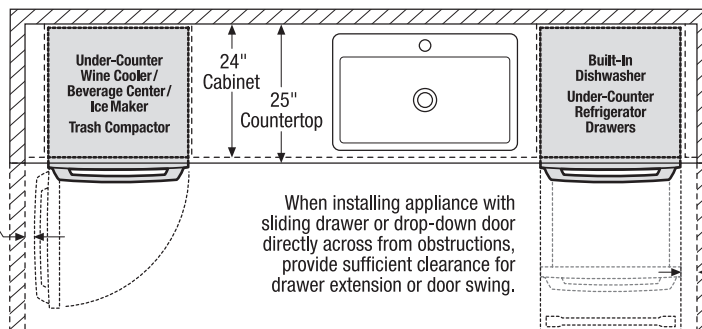
Front

To ensure optimum performance, avoid installing refrigeration appliances in direct sunlight or near heat source.



Top

When installing appliance with side-swing door adjacent to wall, cabinet, or other obstruction that extends beyond front edge of appliance, door swing and handle clearance must be sufficient to allow access to appliance interior.



When installing appliance with sliding drawer or drop-down door directly across from obstructions, provide sufficient clearance for drawer extension or door swing.

When installing appliance with sliding drawer or drop-down door adjacent to wall, cabinet, or other obstruction that extends beyond front edge of appliance, allow 2" minimum clearance between drawer or door and obstruction.

Electrolux Major Appliances, N.A.

USA • 10200 David Taylor Drive • Charlotte, NC 28262 • 1-877-4electrolux (1-877-435-3287) • electroluxappliances.com
 CANADA • 5855 Terry Fox Way • Mississauga, ON L5V 3E4 • 1-800-265-8352 • electroluxappliances.ca

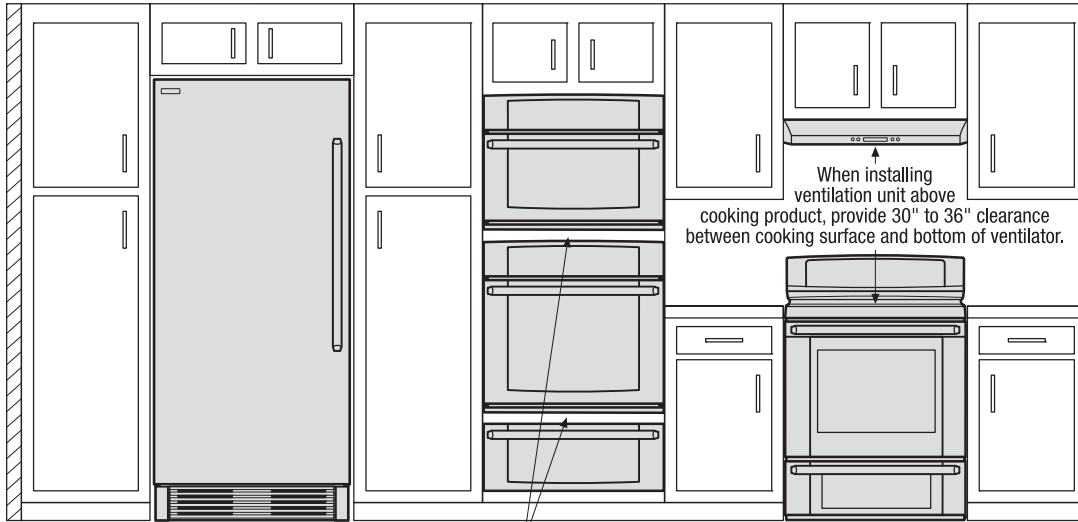
General Installation Guidelines

For Installation with All Refrigerator or All Freezer

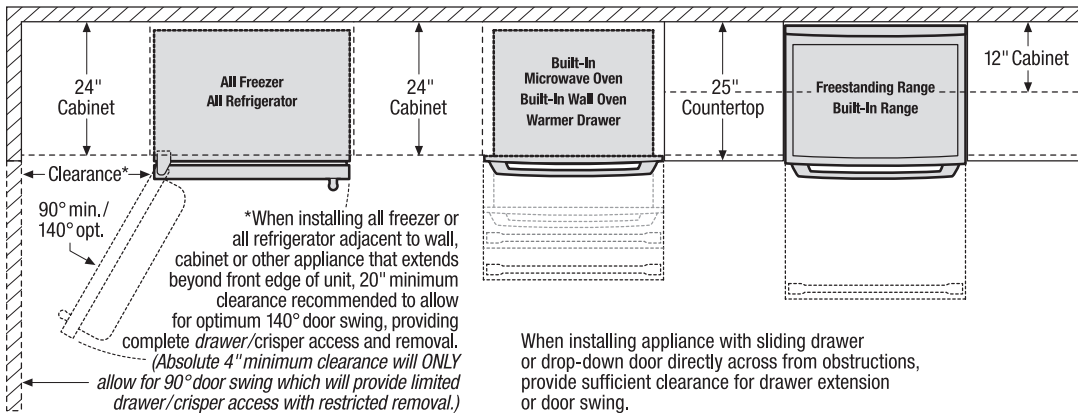


Use these dimensions and clearance instructions for planning purposes only. For detailed installation instructions, refer to installation guide, packed with product, or on the web at electroluxappliances.com.

Front

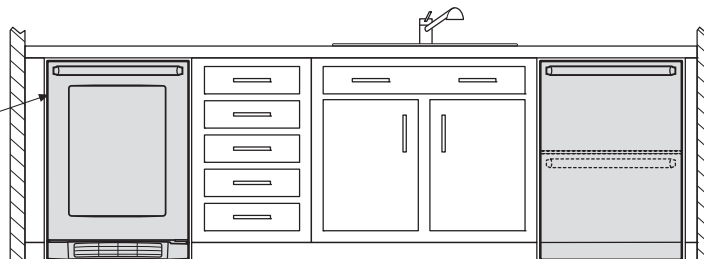


Top



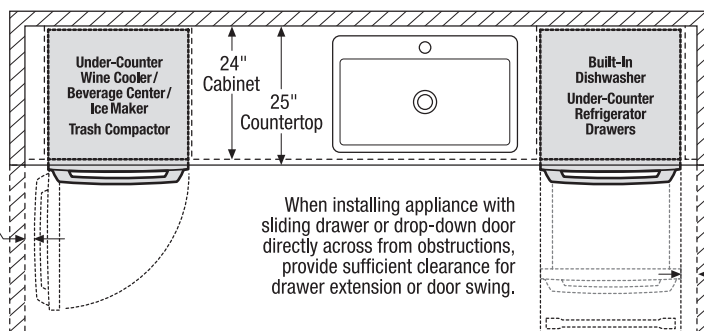
Front

To ensure optimum performance, avoid installing refrigeration appliances in direct sunlight or near heat source.



Top

When installing appliance with side-swing door adjacent to wall, cabinet, or other obstruction that extends beyond front edge of appliance, door swing and handle clearance must be sufficient to allow access to appliance interior.



Electrolux Major Appliances, N.A.

USA • 10200 David Taylor Drive • Charlotte, NC 28262 • 1-877-4electrolux (1-877-435-3287) • electroluxappliances.com
CANADA • 5855 Terry Fox Way • Mississauga, ON L5V 3E4 • 1-800-265-8352 • electroluxappliances.ca