

SERVICE DATA SHEET

Appliance with ES630 Electronic Oven Control

NOTICE: This service data sheet is intended for use by persons having electrical and mechanical training and a level of knowledge of these subjects generally considered acceptable in the appliance repair trade. The manufacturer cannot be responsible, nor assume any liability, for injury or damage of any kind arising from the use of this data sheet.

IMPORTANT NOTE: This unit includes an EOC (electronic oven control). This board is not field-repairable.

Safe Servicing Practices

To avoid the possibility of personal injury and/or property damage, it is important that safe servicing practices be observed. The following are some, but not all, examples of safe practices.

- Do not attempt a product repair if you have any doubts as to your ability to complete it in a safe and satisfactory manner.
- Before servicing or moving an appliance, remove power cord from electric outlet, trip circuit breaker to Off, or remove fuse.
- Never interfere with the proper installation of any safety device.
- Use only replacement parts specified for this appliance. Substitutions may not comply with safety standards set for home appliances.
- Grounding: The standard color coding for safety ground wires is green or green with yellow stripes. Ground leads are not to be used as current carrying conductors. It is extremely important that the service technician reestablish all safety grounds prior to completion of service. Failure to do so will create a potential hazard.
- Prior to returning the product to service, ensure that:
 - All electric connections are correct and secure.
 - All electrical leads are properly dressed and secured away from sharp edges, high-temperature components, and moving parts.
 - All uninsulated electrical terminals, connectors, heaters, etc. are adequately spaced away from all metal parts and panels.
 - All safety grounds (both internal and external) are correctly and securely reassembled.
 - All panels are properly and securely reassembled.

Oven Calibration

Set the electronic oven control for normal baking at 350°F. Allow oven to preheat to set temperature. Obtain an average oven temperature after a minimum of five cycles. Press the **STOP** key to end the Bake mode.

Temperature Adjustment

- While in a non-cooking mode, press and hold the **Bake** key for 6 seconds.
- The current calibration offset (temperature adjustment) should appear in the temperature display.
- Use the number keys (0-9) to enter the desired amount of adjustments (up to 35°F).
- Press the **Self Clean** key to change the sign of the adjustment to a (-), if necessary. A positive adjustment will not display a sign.
- Once the desired adjustment (-35° to 35° F) has been entered, press the **Start** key to accept the change or the **Cancel** key to reject the change.

Note: Changing calibration affects all baking modes. The adjustments made will not change the self-cleaning temperature.

2-Speed Cooling Fan

The EOC controls the speed of the cooling fan. The cooling fan is activated at low speed during any cooking function and will remain on until the oven is cooled down. The high speed is activated during the broil (with open door) and during clean cycles only when the temperature is above approximately 575°F/302°C.

CIRCUIT ANALYSIS MATRIX												
	On Relay Board							TRIAC Board		On Display Board		
	ELEMENTS							Conv Fan P2-7	Oven Light P2-1	Door Switch P10-3	Rack Sensor Defeat P10-2	
Bake P9	Broil P7	Conv. P11	Door Motor J3-5	DLB L2 out P1	Cooling Fan Low J3-7	Cooling Fan High J3-8						
Bake	X	X	X*		X	X	X	X*				
Keep Warm	X				X	X						
Broil		X			X	X	X					
Conv. Bake	X	X	X		X	X	X	X**				
Conv. Roast	X	X	X		X	X	X	X				
Conv. Broil		X			X	X	X	X				
Clean	X	X			X	X	X					
Locking				X								
Locked												
Unlocking				X								
Unlocked												
Light									X			
Door Open									X			
Door Closed										X		
Bread Proof	X				X	X						
Rack sensor switch defeat												X
Relay will operate in this condition only												
*Convection element and fan are used for the first rise in temperature												

MEAT PROBE TEMPERATURE VS RESISTANCE TABLE	
Temperature	Probe Resistance
77 °F / 25°C	50.020 Kohm +/- 6%
122 °F / 50°C	18.020 Kohm +/- 5%
176 °F / 80°C	6.290 Kohm +/- 5%
212 °F / 100°C	3.400 Kohm +/- 5%

LOWER OVEN ANALYSIS MATRIX	On Relay Board	
	ELEMENTS	DLB L2 out (P2)
	Bake (P10)	
Bake	X	X
Keep Warm	X	X

RTD SCALE	
Temperature °F (°C)	Resistance (ohms)
32 ± 1.9 (0 ± 1.0)	1000 ± 4.0
75 ± 2.5 (24 ± 1.3)	1091 ± 5.3
250 ± 4.4 (121 ± 2.4)	1453 ± 8.9
350 ± 5.4 (177 ± 3.0)	1654 ± 10.8
450 ± 6.9 (232 ± 3.8)	1852 ± 13.5
550 ± 8.2 (288 ± 4.5)	2047 ± 15.8
650 ± 9.6 (343 ± 5.3)	2237 ± 18.5
900 ± 13.6 (482 ± 7.5)	2697 ± 24.4
Probe circuit to case ground	Open circuit/infinite resistance

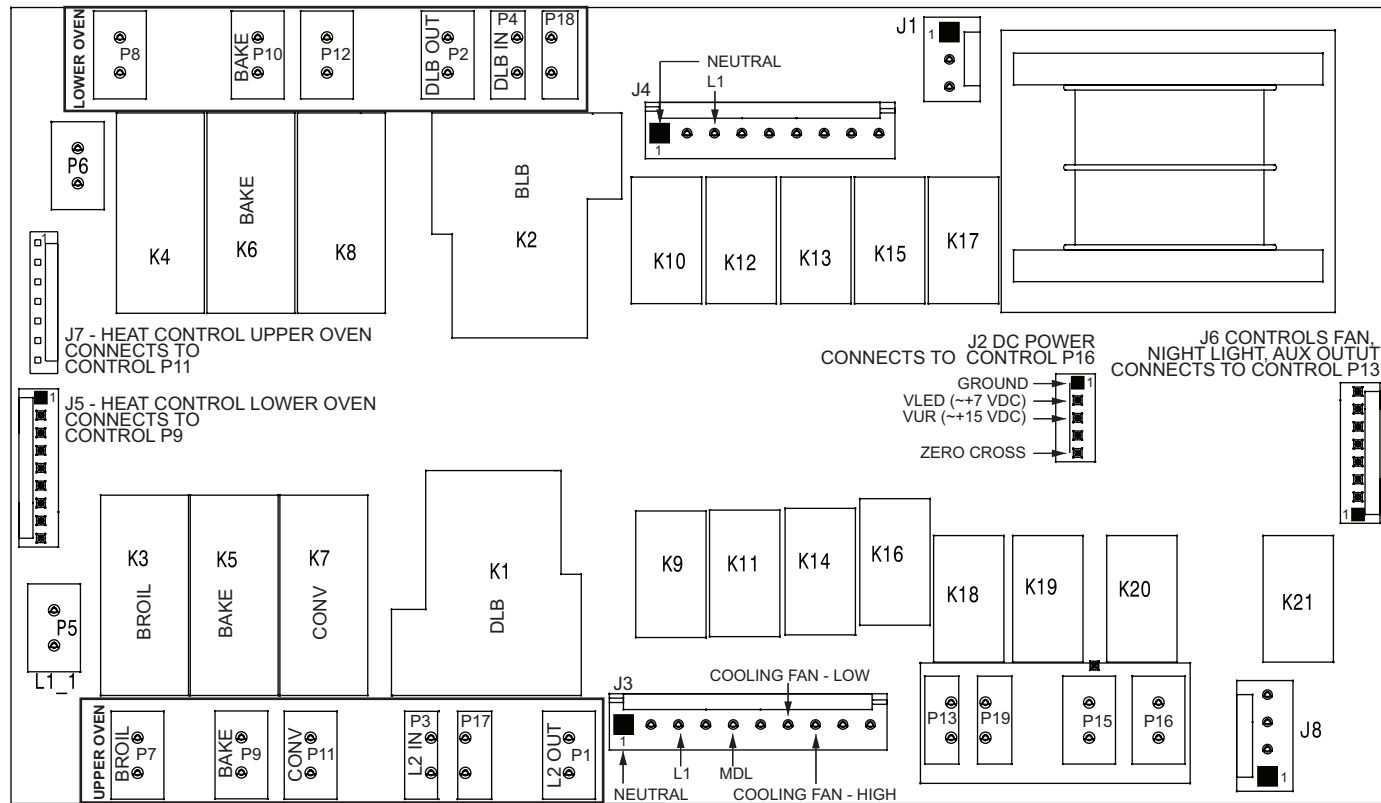
ELECTRONIC OVEN CONTROL (EOC) FAULT CODE DESCRIPTIONS

Note: Generally speaking "F1X" implies a control failure, "F3X" an oven probe problem, and "F9X" a latch motor problem.

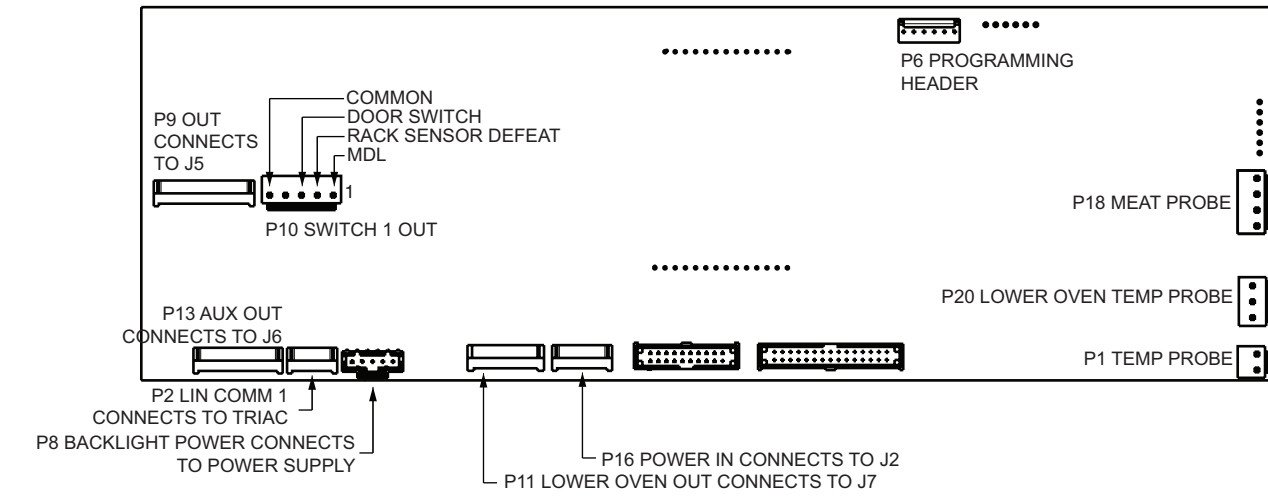
Code	Condition/Cause	Suggested Corrective Action
F10	Control has sensed a potential runaway oven condition. Control may have shorted relay, RTD sensor probe may have a gone bad.	Check RTD sensor probe and replace if necessary. If oven is overheating, disconnect power. If oven continues to overheat when power is reapplied, replace relay board and/or display board.
F11	Shorted Key: a key has been detected as pressed for a long period and will be considered a shorted key alarm and will terminate all oven activity.	<ol style="list-style-type: none"> Press any key to clear the error. If fault returns, replace the keyboard (touch panel). If the problem persists, replace the display board.
F13	Control's internal checksum may have become corrupted.	<ol style="list-style-type: none"> Press any key to clear the error. Disconnect power, wait 30 seconds and reapply power. If fault returns upon power-up, replace display board.
F14	Misconnected keyboard cable	<ol style="list-style-type: none"> Verify connection between display board and touch panel (2 ribbon cables). Make sure the cables are well connected at both ends. If the cables are good, replace the touch panel. If the problem persists, replace the display board.
F15	Controller self check failed.	<ol style="list-style-type: none"> Verify if relay board receives 120VAC between J4 pin 1 and 3. Verify the wiring between J2 on the relay board and P16 on the display board. If wiring and 120VAC supply is good replace the display board. If problem persists replace the relay board.
F20	The oven controller has detected a problem with the communication link to the surface element controller (ESEC).	<ol style="list-style-type: none"> Is the ESEC User Interface Board powered on (are the surface element displays showing something)? If not, that is the reason why the oven control cannot communicate with it (ESEC has no power). Check the 120VAC voltage going in to the ESEC power supply board located in the front console (connector P1) and the low voltage supply going from the power supply board (connector P2) to the ESEC UIB (connector P8). Check connections between connector P2 on the oven controller and P9 on the ESEC UIB. This is the communication link. Verify for continuity. Refer to the wiring diagram. If the above steps failed to solve the problem, replace the ESEC UIB. If problem persists replace the oven controller.
F23	The controller failed to communicate with the oven lights control board.	<ol style="list-style-type: none"> Verify wiring between P2 on the display board and P2 on the oven lights control board. If wiring is good, replace oven lights board. If the problem persists, replace the display board.
F30	Open RTD sensor probe/ wiring problem. Note: EOC may initially display an "F10", thinking a runaway condition exists.	<ol style="list-style-type: none"> Check wiring in probe circuit for possible open condition. Check RTD resistance at room temperature (compare to probe resistance chart). If resistance does not match the chart, replace the RTD sensor probe.
F31	Shorted RTD sensor probe / wiring problem.	<ol style="list-style-type: none"> Let the oven cool down and restart the function. If the problem persists, replace the display board. <p>Note: F30 or F31 is displayed when oven is in active mode or an attempt to enter an active mode is made.</p>
F43	The cooling fan speed, as read by the tachometer input of the EOC-display board, is abnormally too slow.	<ol style="list-style-type: none"> Determine first if the problem appears to be caused by a cooling fan not turning or turning slowly or by a problem with the sensing of the fan speed. Start a Bake and check during the first 15 seconds if the fan is turning (should feel air flowing through the vent above the upper oven door). If the fan does not appear to be turning or turn slowly check the 120VAC at the fan. If 120VAC is present at the fan motor but the fan does not turn replace the fan motor. If 120VAC is not present at the fan motor when a Bake is started check the connection to the relay board (J3 pin 7) and Neutral: is there 120VAC on J3 pin 7? Does it reach the fan motor? Is the other terminal of the fan motor connected to Neutral? If the harness or relay board are faulty replace them. If the fan appears to be normally turning but an F43 error code is generated, it means there is a problem with the reading of the fan speed sensor. Make sure the connection of the fan speed sensor is properly made (refer to wiring diagram), between the sensor on the fan and the EOC- display board. For trouble-shooting purposes, it is possible to enter a test mode that will indicate on the display the reading of the fan speed in RPM: to enter the test mode, power-up the unit and within 30 seconds press and hold the upper oven Bake and Broil keys for 3 seconds (until you see all segments in the screen illuminated). Once in the test mode, pressing the upper oven Light key once will display the fan speed in RPM. In normal client mode the F43 error is generated for a fan speed below approximately 700 RPM.
F44	The cooling fan speed, as read by the tachometer input of the EOC- display board, is abnormally too fast.	<ol style="list-style-type: none"> Inspect the cooling fan. Does it appear to be turning normally (air flow, noise)? Verify the fan blade is well assembled. Verify there is nothing blocking the air flow of the fan (that could make the fan turn faster). Check the 120VAC voltage on the fan. A voltage higher than 120VAC + 10% could make it go too fast. Make sure the connection of the fan speed sensor is properly made (refer to wiring diagram), between the sensor on the fan and the EOC- display board. For trouble-shooting purposes, it is possible to enter a test mode that will indicate on the display the reading of the fan speed in RPM: to enter the test mode, power-up the unit and within 30 seconds press and hold the upper oven Bake and Broil keys for 3 seconds (until you see all segments in the screen illuminated). Once in the test mode, pressing the upper oven Light key once will display the fan speed in RPM. In normal client mode the F44 error is generated for a fan speed above approximately 2500 RPM. If problem persists replace both the fan+sensor assembly and the EOC- display board.
F90	Door motor mechanism failure.	<ol style="list-style-type: none"> Press any key to clear the error. If it does not eliminate the problem, turn off power for 30 seconds, then turn on power. Check wiring of Lock Motor, Lock Switch and Door Switch circuits. Unplug the lock motor from the board and apply power (L1) directly to the Lock Motor. If the motor does not rotate, replace Lock Motor Assembly. Check Lock Switch for proper operation (do they open and close, check with ohmmeter). The Lock Motor may be powered as in above step to open and close Lock Switch. If the Lock Switch is defective, replace Motor Lock Assembly. If all above steps fail to correct situation, replace the display board and/or the relay board in the event of a motor that does not rotate. If all the above steps fail to correct the situation, replace the display board in the event of a motor that rotates endlessly.

IMPORTANT
DO NOT REMOVE THIS BAG
OR DESTROY THE CONTENTS
WIRING DIAGRAMS AND SERVICE
INFORMATION ENCLOSED
REPLACE CONTENTS IN BAG

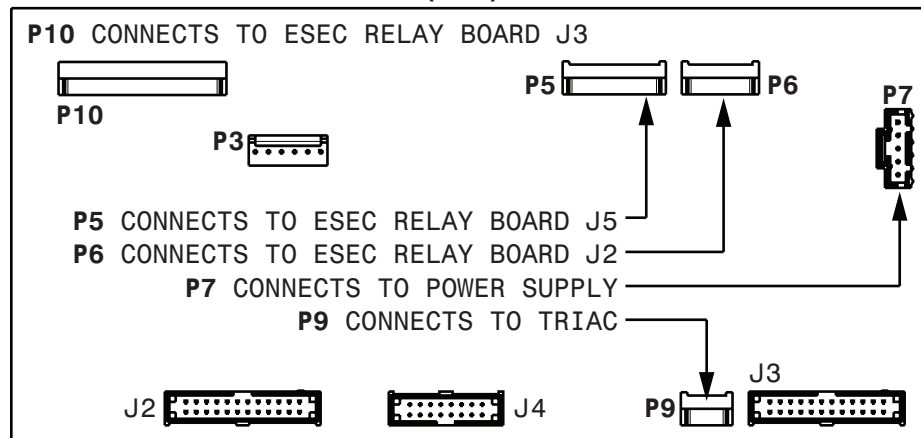
RELAY BOARD



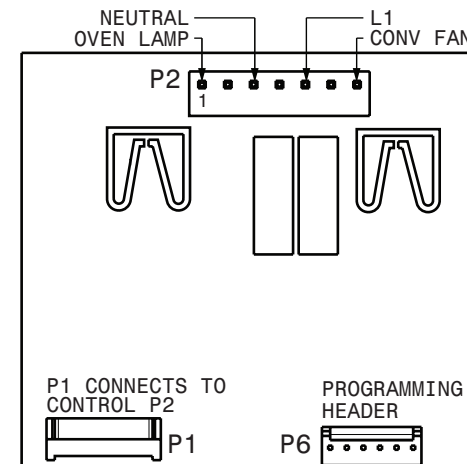
OVEN CONTROL



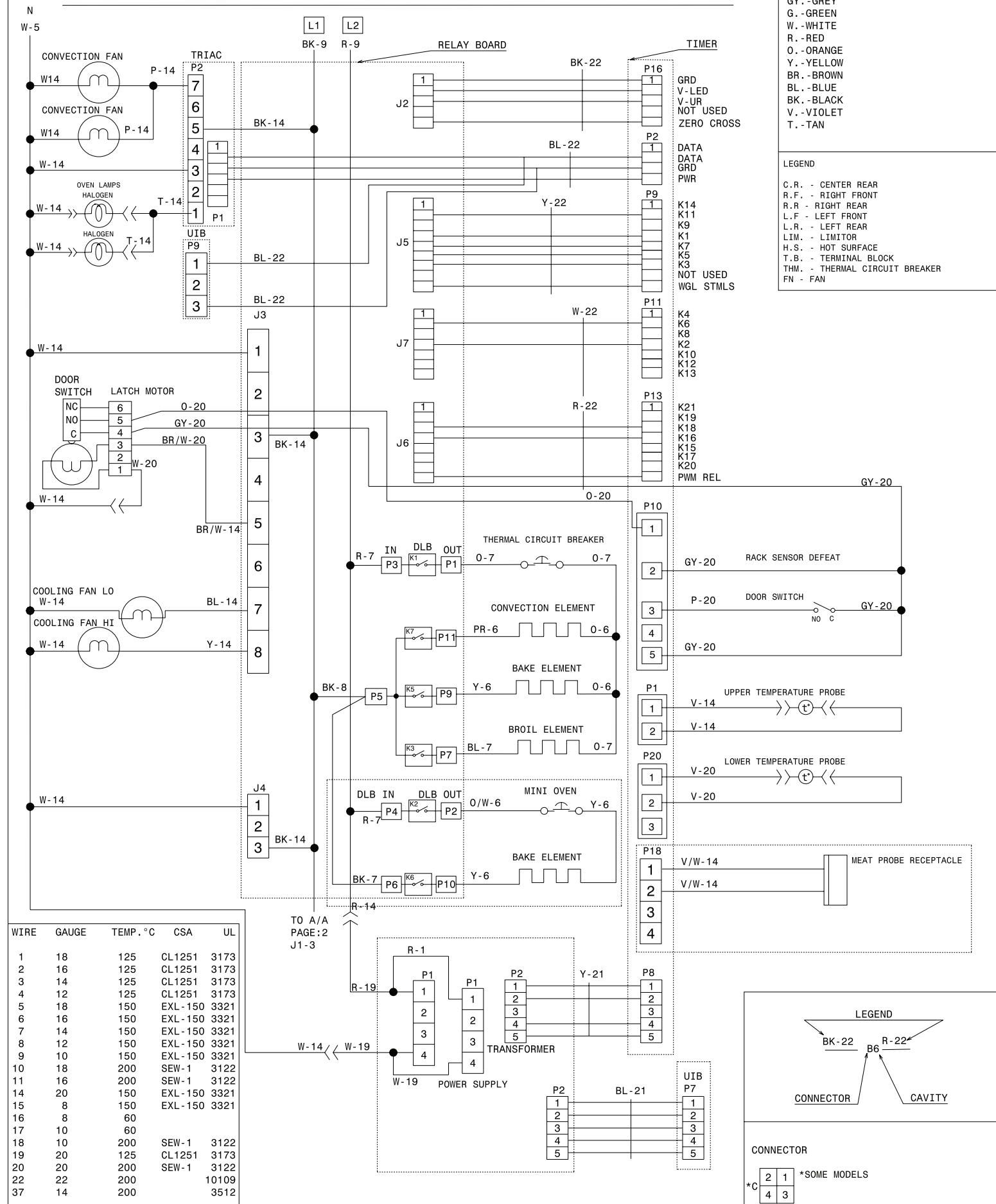
USER INTERFACE BOARD (UIB)



TRIAC BOARD



OVEN CIRCUIT

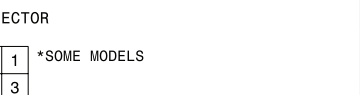
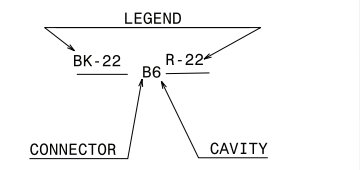


COLOR CODE

- GY. - GREY
- G. - GREEN
- W. - WHITE
- R. - RED
- O. - ORANGE
- Y. - YELLOW
- BR. - BROWN
- BL. - BLUE
- BK. - BLACK
- V. - VIOLET
- T. - TAN

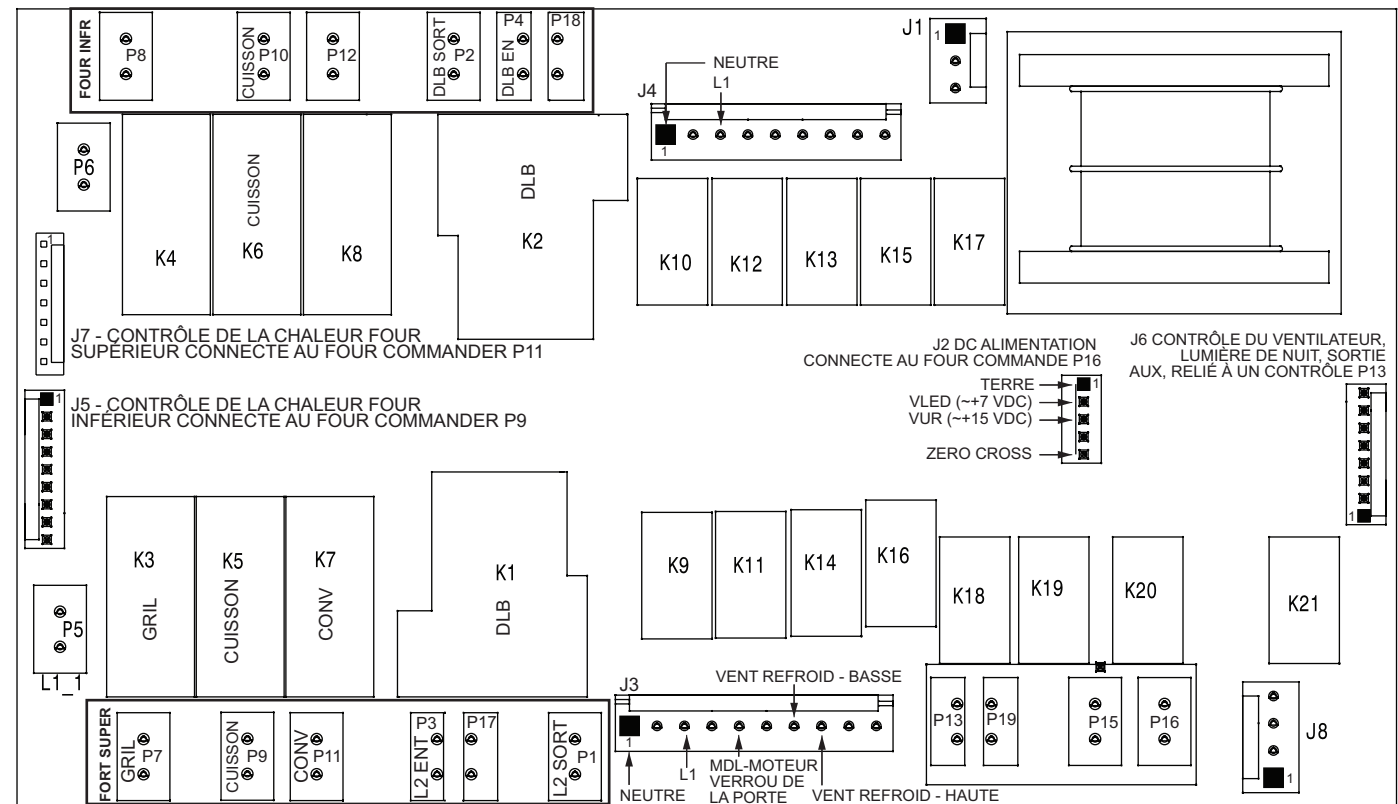
LEGEND

- C.R. - CENTER REAR
- R.F. - RIGHT FRONT
- R.R. - RIGHT REAR
- L.F. - LEFT FRONT
- L.R. - LEFT REAR
- LIM. - LIMITER
- H.S. - HOT SURFACE
- T.B. - THERMAL BLOCK
- THM. - THERMAL CIRCUIT BREAKER
- FN - FAN

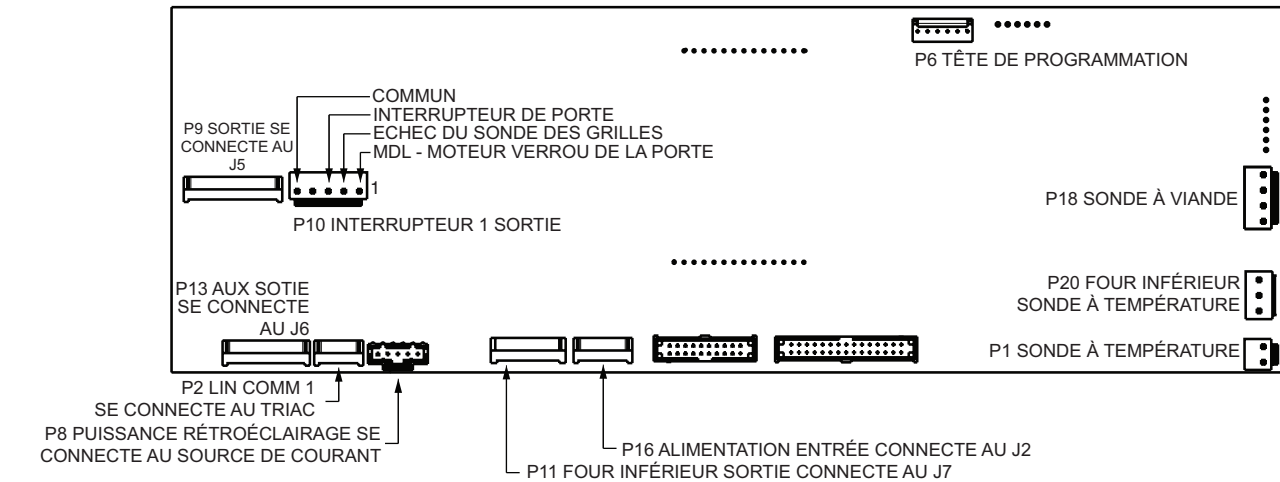


CAUTION: DISCONNECT POWER BEFORE SERVICING UNIT. LABEL ALL WIRES PRIOR TO DISCONNECTION WHEN SERVICING CONTROLS. WIRINGS ERRORS CAN CAUSE IMPROPER AND DANGEROUS OPERATION. VERIFY PROPER OPERATION AFTER SERVICING.

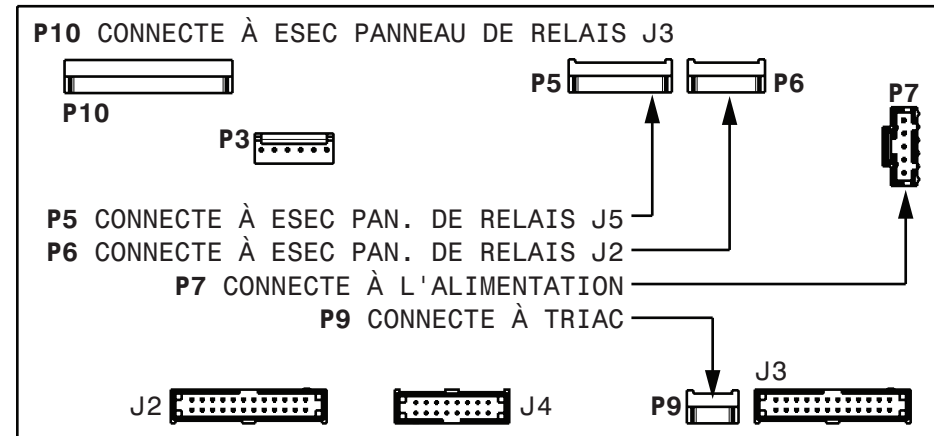
PANNEAU DE RELAIS



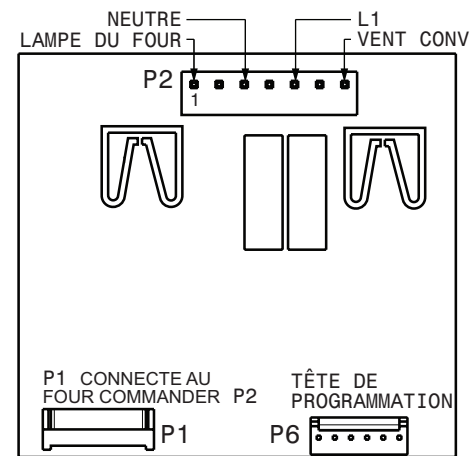
COMMANDE DU FOUR



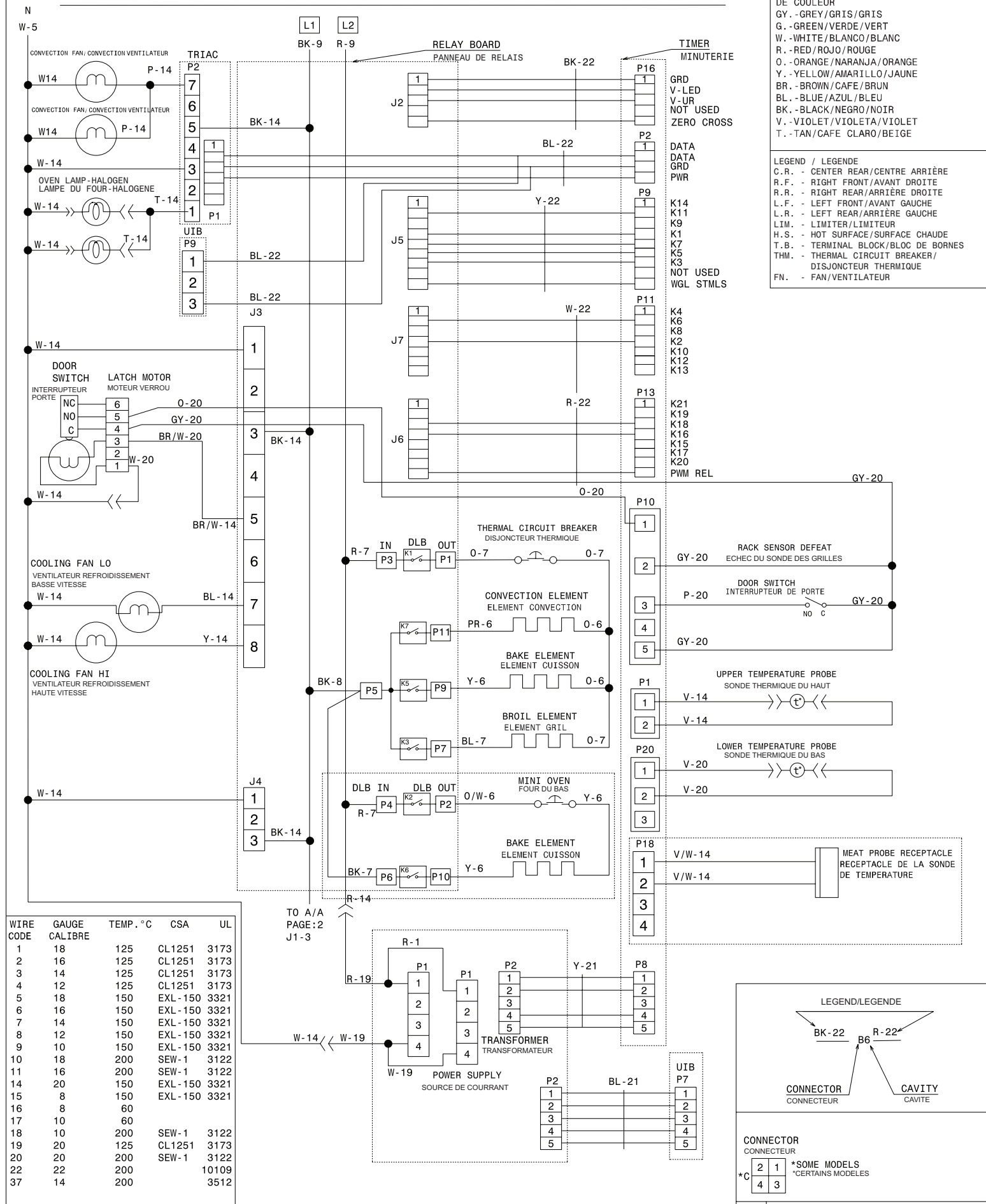
PLAQUETTE D'INTERFACE DE UTILISATEUR (UIB)



PANNEAU DU TRIAC



OVEN CIRCUIT / CIRCUIT DU FOUR

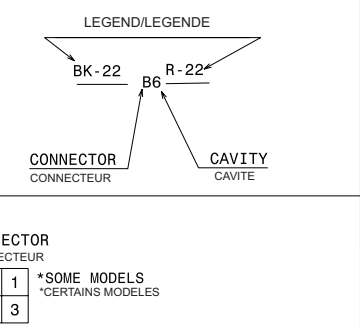


COLOR CODE / CODIGOS DE COLOR / CODE DE COULEUR

GY - GREY / GRIS / GRIS
G - GREEN / VERDE / VERT
W - WHITE / BLANCO / BLANC
R - RED / ROJO / ROUGE
O - ORANGE / NARANJA / ORANGE
Y - YELLOW / AMARILLO / JAUNE
BR - BROWN / CAFE / BRUN
BL - BLUE / AZUL / BLEU
BK - BLACK / NEGRO / NOIR
V - VIOLET / VIOLETA / VIOLET
T - TAN / CAFE CLARO / BEIGE

LEGEND / LEGENDE

C.R. - CENTER REAR / CENTRE ARRIÈRE
R.F. - RIGHT FRONT / AVANT DROITE
R.R. - RIGHT REAR / ARRIÈRE DROITE
L.F. - LEFT FRONT / AVANT GAUCHE
L.R. - LEFT REAR / ARRIÈRE GAUCHE
LTM. - LIMITER / LIMITEUR
H.S. - HOT SURFACE / SURFACE CHAUDE
T.B. - THERMAL BLOCK / BLOC DE BORNES
THM. - THERMAL CIRCUIT BREAKER / DISJONCTEUR THERMIQUE
FN. - FAN / VENTILATEUR



ATTENTION: COUPEZ L'ALIMENTATION AVANT D'EFFECTUER LA REPARATION.
IDENTIFIEZ TOUS LES FILS AVANT DE LES DEBRANCHER QUAND L'APPAREIL EST HORS SERVICE.
LES ERREURS DE CONNECTION DE FILS PEUVENT CAUSER UN MAL FONCTIONNEMENT ET UN DANGER D'USAGE DE L'APPAREIL.
VERIFIEZ LE BON FONCTIONNEMENT DE L'APPAREIL APRES LE SERVICE.

SERVICE DATA SHEET
Appliance with Electronic Surface Element Control (ESEC 20)

NOTICE: This service data sheet is intended for use by persons having electrical and mechanical training and a level of knowledge of these subjects generally considered acceptable in the appliance repair trade. The manufacturer cannot be responsible, nor assume any liability, for injury or damage of any kind arising from the use of this data sheet.

IMPORTANT NOTE: This unit includes an ESEC (electronic surface element control). This board is not field-repairable.

Safe Servicing Practices

To avoid the possibility of personal injury and/or property damage, it is important that safe servicing practices be observed. The following are some, but not all, examples of safe practices.

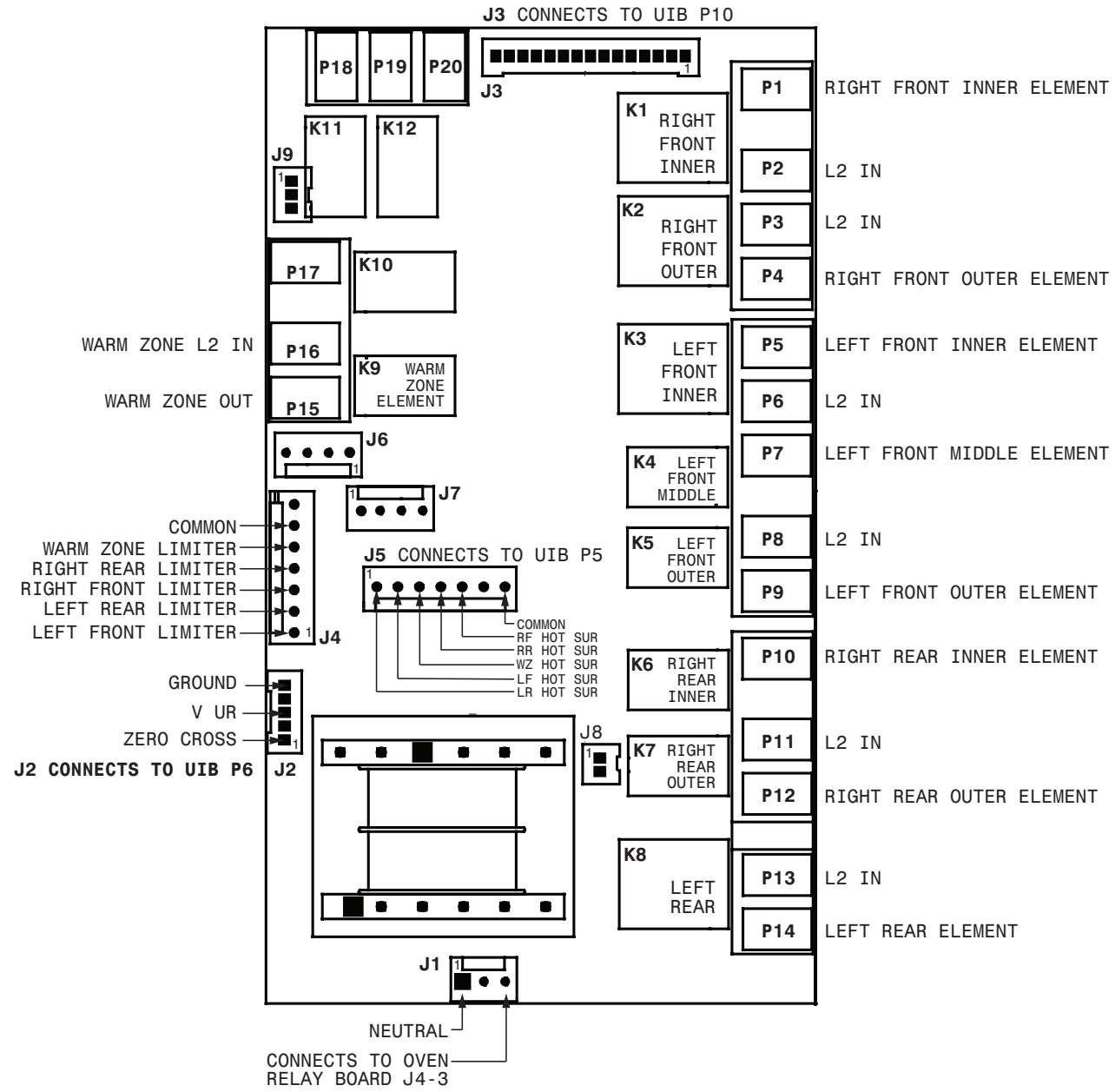
1. Do not attempt a product repair if you have any doubts as to your ability to complete it in a safe and satisfactory manner.
2. Before servicing or moving an appliance, remove power cord from electric outlet, trip circuit breaker to Off, or remove fuse.
3. Never interfere with the proper installation of any safety device.
4. Use only replacement parts specified for this appliance. Substitutions may not comply with safety standards set for home appliances.
5. Grounding: The standard color coding for safety ground wires is green or green with yellow stripes. Ground leads are not to be used as current carrying conductors. It is extremely important that the service technician reestablish all safety grounds prior to completion of service. Failure to do so will create a potential hazard.
6. Prior to returning the product to service, ensure that:
 - All electric connections are correct and secure.
 - All electrical leads are properly dressed and secured away from sharp edges, high-temperature components, and moving parts.
 - All uninsulated electrical terminals, connectors, heaters, etc. are adequately spaced away from all metal parts and panels.
 - All safety grounds (both internal and external) are correctly and securely reassembled.
 - All panels are properly and securely reassembled.

RTD SCALE	
Temperature °F (°C)	Resistance (ohms)
32 ± 1.9 (0 ± 1.0)	1000 ± 4.0
75 ± 2.5 (24 ± 1.3)	1091 ± 5.3
250 ± 4.4 (121 ± 2.4)	1453 ± 8.9
350 ± 5.4 (177 ± 3.0)	1654 ± 10.8
450 ± 6.9 (232 ± 3.8)	1852 ± 13.5
550 ± 8.2 (288 ± 4.5)	2047 ± 15.8
650 ± 9.6 (343 ± 5.3)	2237 ± 18.5
900 ± 13.6 (482 ± 7.5)	2697 ± 24.4
Probe circuit to case ground	Open circuit/infinite resistance

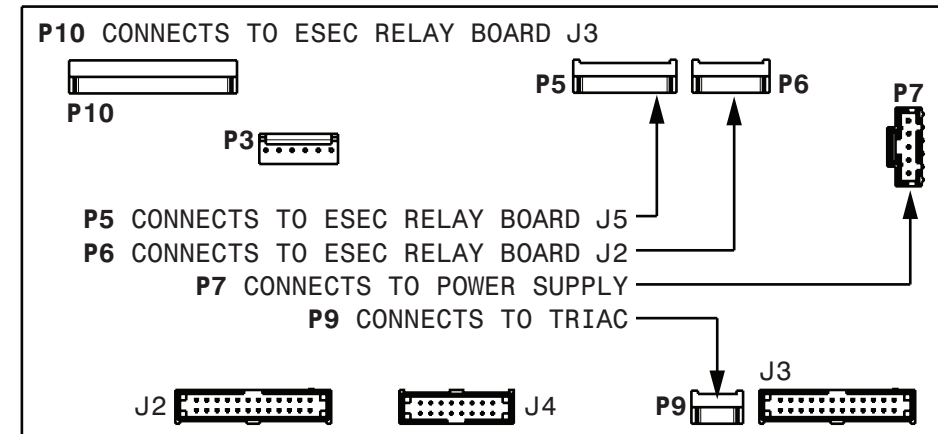
ELECTRONIC SURFACE ELEMENT CONTROL (ESEC) FAULT CODE DESCRIPTIONS		
Code	Condition/Cause	Suggested Corrective Action
E11	Shorted keypad	<ol style="list-style-type: none"> 1. Disconnect power, wait 30 seconds and reapply power. 2. If fault returns upon power-up, replace user interface board (UIB). 3. If fault returns, replace glass touch panel.
E13	Bad EEPROM	<ol style="list-style-type: none"> 1. Disconnect power, wait 30 seconds and reapply power. 2. If fault returns upon power-up, replace user interface board (UIB).
E14	Touch panel display tail missing	<ol style="list-style-type: none"> 1. Check connection between UIB (connector J2, J3 & J4) and glass touch panel. 2. If connections are good, replace UIB. 3. If problem persists, replace touch panel.
E15	ESEC self-test failed, or thermal cutoff open	<p>An E15 error code on the ESEC may indicate the User Interface Board is not receiving a synchronization signal from the ESEC relay board.</p> <ol style="list-style-type: none"> 1. Check first if the ESEC relay board is receiving 120VAC correctly (J1 pin 1 and 3). 2. Check the wiring between connector J2 on the ESEC relay board and connector P6 on the UIB. 3. If AC power and wiring looks good and the problem is still there, replace the UIB. 4. If problem persists, replace the ESEC relay board.

IMPORTANT
DO NOT REMOVE THIS BAG
OR DESTROY THE CONTENTS
WIRING DIAGRAMS AND SERVICE
INFORMATION ENCLOSED
REPLACE CONTENTS IN BAG

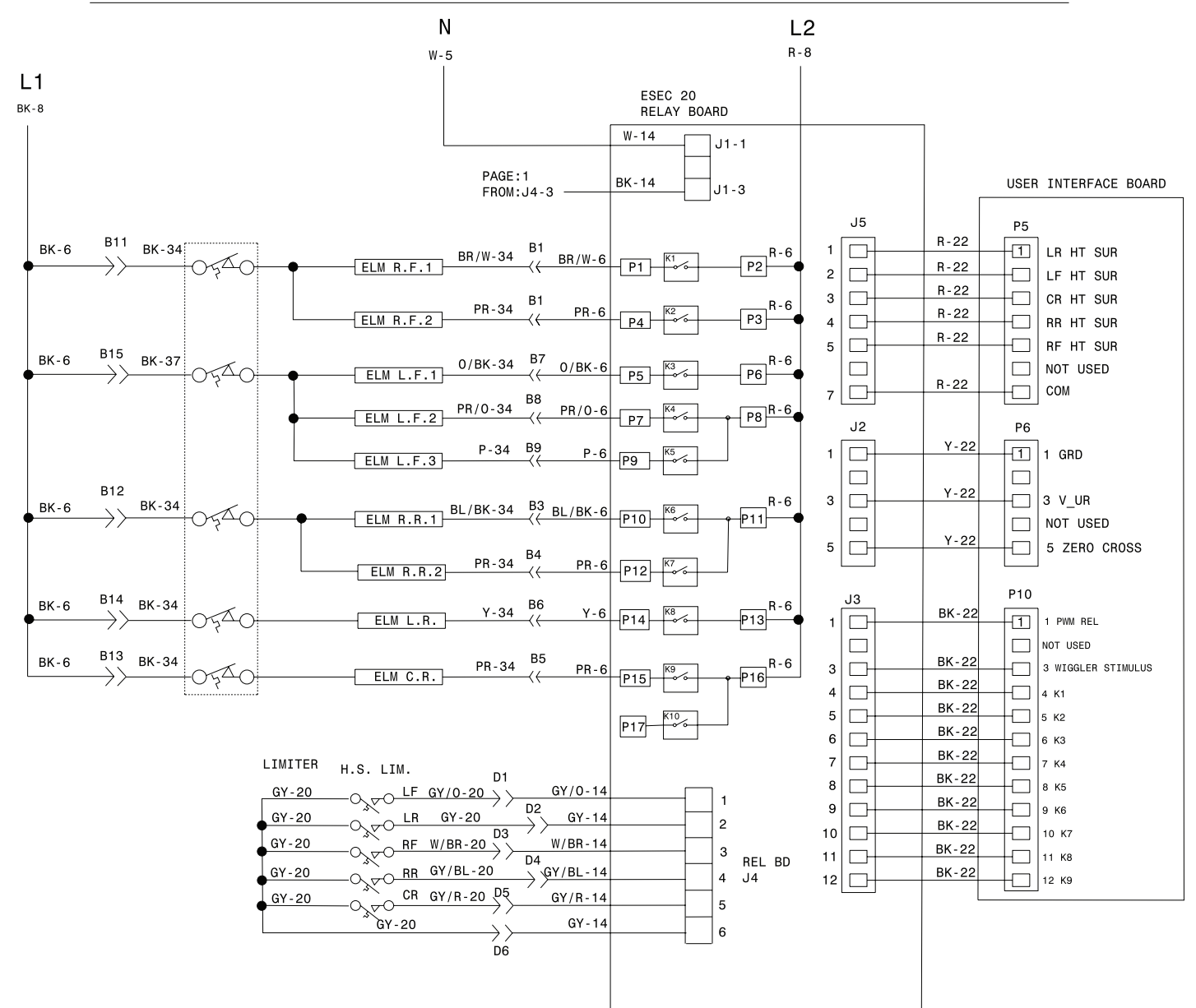
ELECTRONIC SURFACE ELEMENT CONTROL (ESEC) BOARD



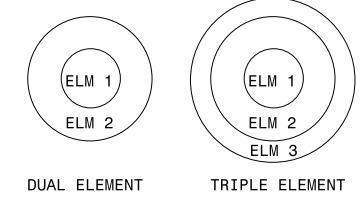
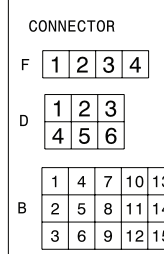
USER INTERFACE BOARD (UIB)



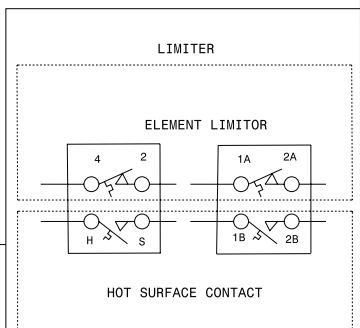
COOKTOP CIRCUIT



WIRE	GAUGE	TEMP. °C	CSA	UL
1	18	125	CL1251	3173
2	16	125	CL1251	3173
3	14	125	CL1251	3173
4	12	125	CL1251	3173
5	18	150	EXL-150	3321
6	16	150	EXL-150	3321
7	14	150	EXL-150	3321
8	12	150	EXL-150	3321
9	10	150	EXL-150	3321
10	18	200	SEW-1	3122
11	16	200	SEW-1	3122
12	12	250		3252
13	16	250		3252
14	20	150	EXL-150	3321
15	8	150	EXL-150	3321
16	8	60		
17	10	60		
18	10	200	SEW-1	3122
19	20	125	CL1251	3173
20	20	200	SEW-1	3122
37	14	200		3512



CAUTION: DISCONNECT POWER BEFORE SERVICING UNIT.
 LABEL ALL WIRES PRIOR TO DISCONNECTION WHEN SERVICING CONTROLS.
 WIRING ERRORS CAN CAUSE IMPROPER AND DANGEROUS OPERATION.
 VERIFY PROPER OPERATION AFTER SERVICING.



FICHE TECHNIQUE

CONTRÔLE ÉLECTRONIQUE DES ÉLÉMENTS DE SURFACE (ESEC)

AVIS - Cette feuille de données d'entretien est destinée aux personnes ayant reçu une formation en électricité et en mécanique, et qui possèdent un niveau de connaissance jugé acceptable dans l'industrie de réparation des appareils électroménagers. Le fabricant ne peut être tenu responsable, ni n'assumer aucune responsabilité, pour toute blessure ou dommage de quelque nature que ce soit pouvant résulter de l'utilisation de cette feuille de données.

PRATIQUES D'ENTRETIEN SÉCURITAIRE

Pour éviter tout risque de blessure et/ou dommage matériel, il est important que des pratiques d'entretien sécuritaires soient suivies. Voici quelques exemples de pratiques sécuritaires.

1. N'essayez jamais de réparer un appareil si vous ne croyez pas avoir les compétences nécessaires pour le faire de manière satisfaisante et sécuritaire.
2. Avant de procéder au service d'entretien ou de déplacer tout appareil ménager, débranchez le cordon d'alimentation de la prise électrique, réglez le disjoncteur de circuit à OFF, ou enlevez le fusible et fermez le robinet d'alimentation en gaz.
3. N'entrez jamais l'installation adéquate de tout dispositif de sécurité.
4. UTILISEZ QUE les pièces de remplacement énumérées dans le catalogue pour cet appareil. LA MOINDRE SUBSTITUTION risque de ne pas être conforme aux normes de sécurité établies pour les appareils électroménagers.
5. MISE À LA TERRE: La couleur de codage standard des conducteurs de mise à la terre de sécurité est VERTE ou VERTE À BARRES JAUNES. Les conducteurs de mise à la terre ne doivent pas être utilisés comme conducteurs de courant. Il est d'une IMPORTANCE CAPITALE que le technicien d'entretien complète toutes les mises à la terre de sécurité avant de terminer le service. Si cette recommandation n'est pas suivie à la lettre, il en résultera des risques pour les personnes et les biens.
6. Avant de retourner le produit au service de réparation ou d'entretien, assurez-vous que:
 - Toutes les connexions électriques sont correctes et sécuritaires
 - Tous les conducteurs électriques sont correctement préparés et placez de façon sécuritaire à l'abri des bords tranchants, des composants à température élevée, et des parties mobiles.
 - Toutes les bornes électriques, connecteurs, réchauffeurs, etc. dénudés sont espacés convenablement loin de toute pièce en métal et des panneaux.
 - Toutes les mises à la terre de sécurité (interne et externe) sont correctement et assemblées de façon sécuritaire.
 - Tous les panneaux sont correctement et fermement remontés.

ÉCHELLE DU DÉTECTEUR DE TEMPÉRATURE À RÉSISTANCE	
Température °F (°C)	Résistance (ohms)
32 ± 1,9 (0 ± 1,0)	1 000 ± 4,0
75 ± 2,5 (24 ± 1,3)	1 091 ± 5,3
250 ± 4,4 (121 ± 2,4)	1 453 ± 8,9
350 ± 5,4 (177 ± 3,0)	1 654 ± 10,8
450 ± 6,9 (232 ± 3,8)	1 852 ± 13,5
550 ± 8,2 (288 ± 4,5)	2 047 ± 15,8
650 ± 9,6 (343 ± 5,3)	2 237 ± 18,5
900 ± 13,6 (482 ± 7,5)	2 697 ± 24,4
Circuit de la sonde mise à la terre à la caisse	Circuit ouvert/résistance infinie

CODES - CONTRÔLE ÉLECTRONIQUE DES ÉLÉMENTS DE SURFACE (ESEC)

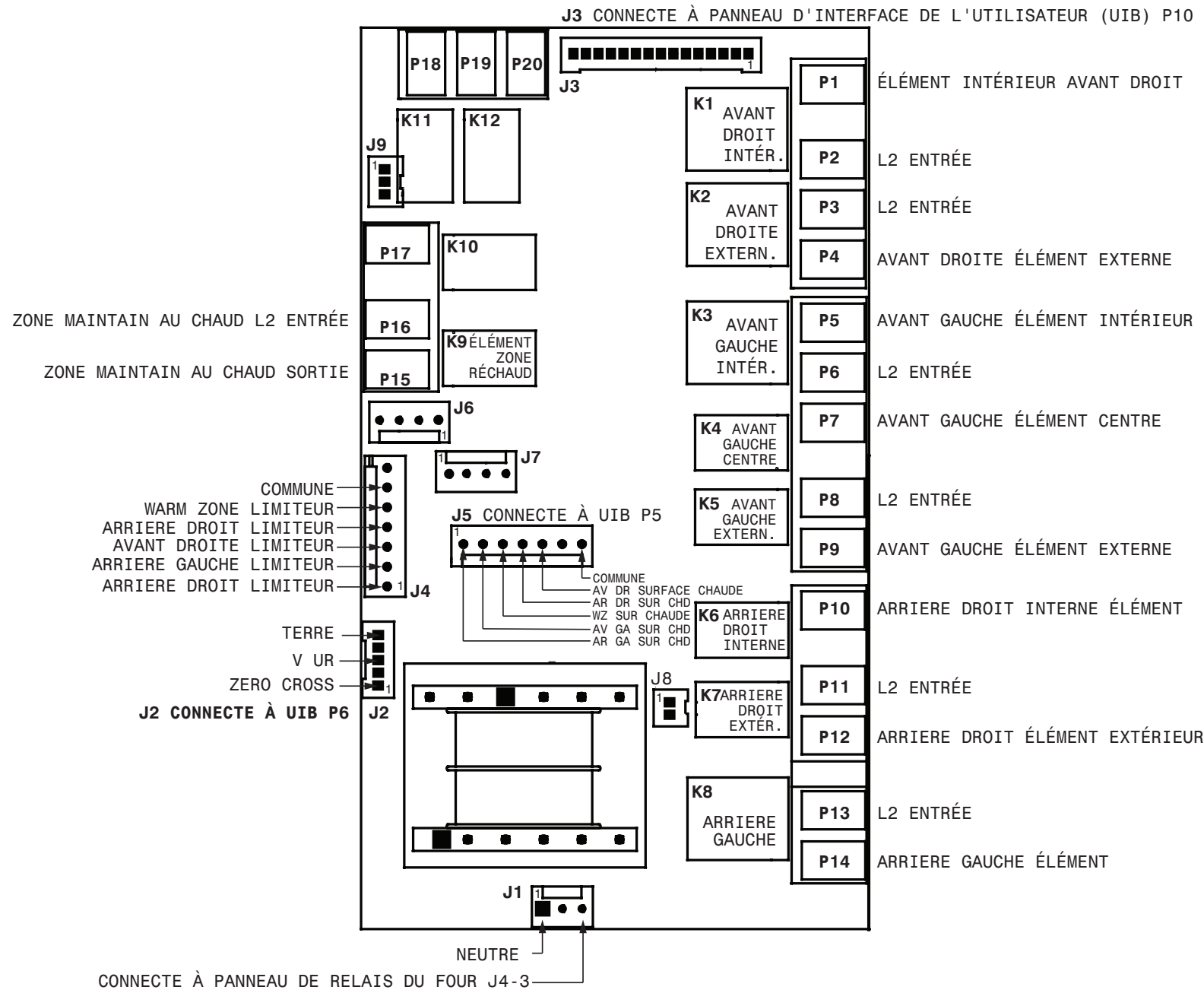
Code	Condition/Cause	Suggested Corrective Action
E11	Touche en court-circuit.	<ol style="list-style-type: none">1. Débranchez l'appareil, attendez 30 secondes et rebranchez-le.2. Si le code est toujours, remplacez le panneau l'interface usager (UIB).3. Si le code est toujours, remplacez le clavier tactile.
E13	EEPROM corrompu	<ol style="list-style-type: none">1. Débranchez l'appareil, attendez 30 secondes et rebranchez-le.2. Si le code est toujours, remplacez le panneau l'interface usager (UIB).
E14	Câble du clavier mal connecté	<ol style="list-style-type: none">1. Vérifiez la connexion entre le panneau d'affichage (connecteur J2, J3 & J4) et le clavier vitrifié tactile2. Si les connexions sont bonnes, changez le panneau l'interface usager (UIB).3. Si le problème persiste, changez le clavier tactile.
E15	Problème avec l'auto-vérification du contrôleur	<p>Un code E15 sur le ESEC peut indiquer que l'interface usager ne reçoit pas le signal de synchronisation de la plaque relais ESEC.</p> <ol style="list-style-type: none">1. Vérifiez premièrement si la plaque relais reçoit le courant 120VAC correctement (J1 tiges 1 et 3).2. Vérifiez le filage entre le connecteur J2 sur la plaque relais ESEC et le connecteur P6 sur l'interface usager (UIB).3. Si le courant AC et le filage sont corrects et que le problème est encore présent, remplacez l'interface usager (UIB).4. Si le problème persiste, remplacez la plaque relais ESEC

IMPORTANT

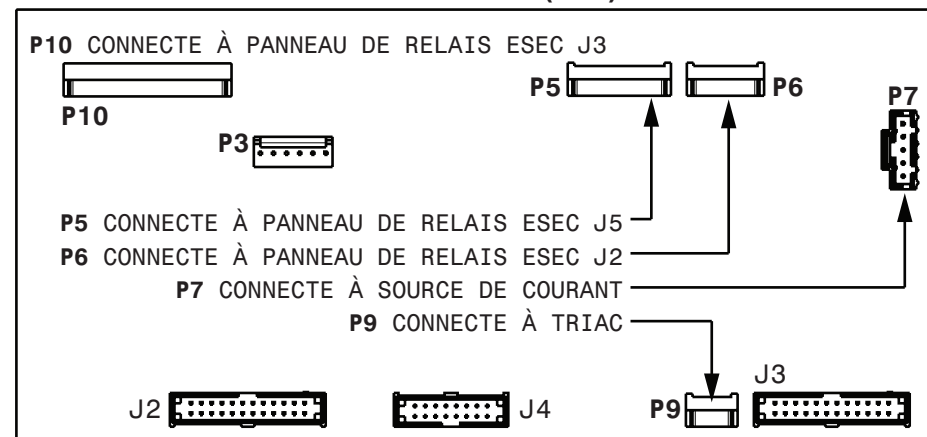
N'ENLEVEZ PAS CE SAC OU NE DÉTRUISEZ PAS SON CONTENU

**CONTIENT LES SCHÉMAS DE CÂBLAGE ET
LES INFORMATIONS DE RÉPARATION
REMETTRE LE CONTENU
DANS LE SAC**

CONTRÔLE ÉLECTRONIQUE DES ÉLÉMENTS DE SURFACE (ESEC)



PANNEAU L'INTERFACE USAGER (UIB)



COOKTOP CIRCUIT / CIRCUIT DE LA TABLE DE CUISSON

