

Dishwasher

FFID2423RS

24" Built-In



Product Dimensions

Height (Adjustable)	33-1/2" - 35"
Width	24"
Depth (Including Door)	25"

More Easy-To-Use Features

Holds up to 12 Place Settings
Our large capacity, tall-tub dishwasher fits up to 12 place settings so you can wash more at once.

ENERGY STAR®-Qualified

Multiple Cycle Options
Features easy-to-use cleaning cycle options including Top Rack, Rinse Only and Heavy Wash.

NSF® Certified
Sanitize cycle removes 99.9% of household bacteria.

Polymer Interior
Supports the drying process, keeping dishes dry the first time

Low-Rinse Aid Indicator Light

Ready-Select® Controls

ENERGY STAR®
NSF® International
Certification



Available in:



Stainless
(S)

Signature Features

Excellent Wash System

Our stainless steel spray arm and dual filtration system gives you a thoroughly clean wash every time.

Effortless™ Dry

Move your dishes straight to your cabinets dry, eliminating the need to towel dry.

DishSense™ Technology

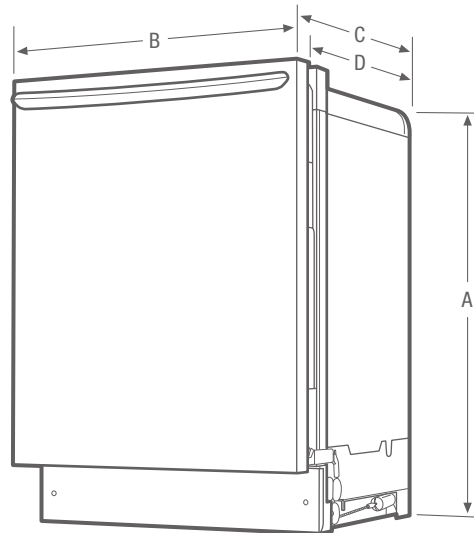
Automatically adjusts the cycle time based on how much cleaning your dishes need.

Delay Start

Set your dishwasher to run on your schedule. It can be set to run 2, 4 or 6 hours in advance.

Features	
Control Design	Fully-Integrated Ready-Select®
Digital Display	
Door Latch	Pull Latch
Stay-Put Door Hinge Design	Yes
Low Rinse-Aid Indicator Light	Yes
Interior Design	Tall Tub
Interior Colour	White
Wash System	Direct Feed
Wash Levels/Wash Speeds	5/1
Sound Package	UltraQuiet™ III
Filter	PolyPro
Filter Trap	Self-Cleaning
Soft Food Disposer	Yes
dB Level	55
Drying System	Effortless™ Dry
Cycles	
Number of Cycles	4
Heavy	Yes
Normal	Yes
Light	
Quick	
Favourite	
China/Crystal	
Rinse Only	Yes
Energy Saver Plus	
Upper Rack Wash Only	Yes
Cycle Indicator Light	
Control Lock	Yes
Options	
Heat/No Heat Dry	Yes
Hi-Temp Wash	Yes
NSF® Certified Sanitize Rinse	Yes
Delay Start	2-4-6 Hour
Rack System	
Rack Design	Better
Rack Coating	Nylon
Upper Rack -	
Stemware/Champagne Glass Holders	
Fold-Down Tines	
Cup Shelves	2
Lower Rack -	
SpaceWise® Silverware Basket	Ultra 1
Fold-Down Tines	
Small Items Cover	
Certifications	
ENERGY STAR®	Yes
NSF® International Certification	Yes
Specifications	
Water Inlet Location	Left Bottom
Water Usage (Gallons)	4.9 - 8.5
Water Pressure (PSI)	20 - 120
Integral Air Gap on Supply	Yes
Leveling Legs	4
Power Supply Connection Location	Right Bottom Front
Voltage Rating	120V / 60 Hz
Connected Load (kW Rating) @ 120 Volts¹	1.20
Amps @ 120 Volts	10.0
Shipping Weight (Approx.)	83 Lbs.

¹For use on adequately wired 120V, dedicated circuit having 2-wire service with a separate ground wire. Appliance must be grounded for safe operation.



NOTE: For planning purposes only. Always consult local and national electric and plumbing codes. Refer to Product Installation Guide for detailed installation instructions on the web at frigidaire.ca.



Product Dimensions		Cutout Dimensions	
A - Height (Adjustable)	33-1/2" - 35"	Height (Min.)	33-1/2"
B - Width	24"	Height (Max.)	35"
C - Depth (Including Door)	25"	Width (Min.)	24"
D - Depth (To Tub Flange)	22-1/2"	Depth (Min.)	25"
Depth with Door Open 90°	49-1/4"		