

# Microwave

CFMV164LS



## Over-The-Range

### Product Dimensions

Height	16-13/32"
Width	29-7/8"
Depth	15-1/32"

### More Easy-To-Use Features

#### Two-Speed Ventilation

Over-the-range microwave doubles as a hood with two fan speeds.

#### Extra-Large 13-1/2" Diameter Glass Turntable

#### 10 Cooking Power Levels

#### Auto-Reheat Options

#### Control Lock Option

#### Multiple-Stage Cooking Option

#### Electronic Clock & Timer

#### Vent Filters

Dishwasher-safe.

#### Auto-Start Heat Sensor Vent Fan

#### Ductless Vent Installation Option Included

#### Attractive Stainless Steel Exterior

Available in:



Stainless  
(S)

## Signature Features

### One-Touch Options

Our microwaves feature easy-to-use one-touch buttons so you can cook baked potatoes, popcorn, or even add 30 seconds with the touch of a button.

### Effortless™ Reheat

Reheat almost anything with the touch of a button.

### Fits-More™ Capacity

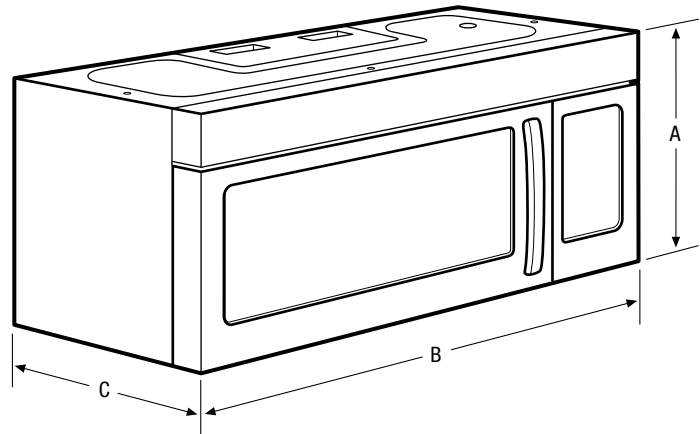
Extra-large microwave provides 1.6 Cu. Ft. of cooking space and will hold almost any dish—even a 13" x 9" baking dish.

### Ready-Select® Controls

Easily select options with the touch of a button.

Features	
Oven Cavity (Cu. Ft.)	1.6
Watts (IEC-705 Test Procedure)	1000
Power Levels	10
Electronic Clock & Timer	Yes
Digital Cooking Display	4 Digit
Touch Pad Controls (# Pads)	23
Auto Reheat Options	Yes
Time Cooking	2 Stage
Add-Thirty Seconds	Yes
Control Lock Option	Yes
Glass Turntable (Diameter)	13-1/2"
Cooktop Light	Yes
Ventilation System	
Hood Fan	Yes
Ducted / Ductless Vent Installation	Yes
Exhaust Fan (CFM)	2 Speed 300/170
Charcoal / Grease Filter (Ductless Installation)	Yes
Power Ratings	
Frequency (Mhz)	2450
Watts @ 120 Volts	1550
Amps @ 120 Volts	13
Specifications	
Oven Interior (H x W x D)	9-1/4" x 20-1/4" x 14-13/32"
Power Supply Connection Location	Right Top Rear
Voltage Rating	120V / 60Hz / 15A
Connected Load (kW Rating) @ 120 Volts <sup>1</sup>	1.55
Shipping Weight (Approx.)	70 Lbs.

<sup>1</sup>For use on adequately wired 120V, dedicated circuit having 2-wire service with a separate ground wire. Appliance must be grounded for safe operation.



NOTE: Always consult local and national electric codes. Refer to Product Installation Guide for detailed installation instructions on the web at [frigidaire.ca](http://frigidaire.ca).



Product Dimensions	
A - Height	16-13/32"
B - Width	29-7/8"
C - Depth	15-1/32"

Cutout Dimensions	
Height (Min.)	16-3/4"
Height (Max.)	17"
Width	30"
Depth (Min.)	12"
Depth (Max.)	13"

Accessories information available on the web at [frigidaire.ca](http://frigidaire.ca)