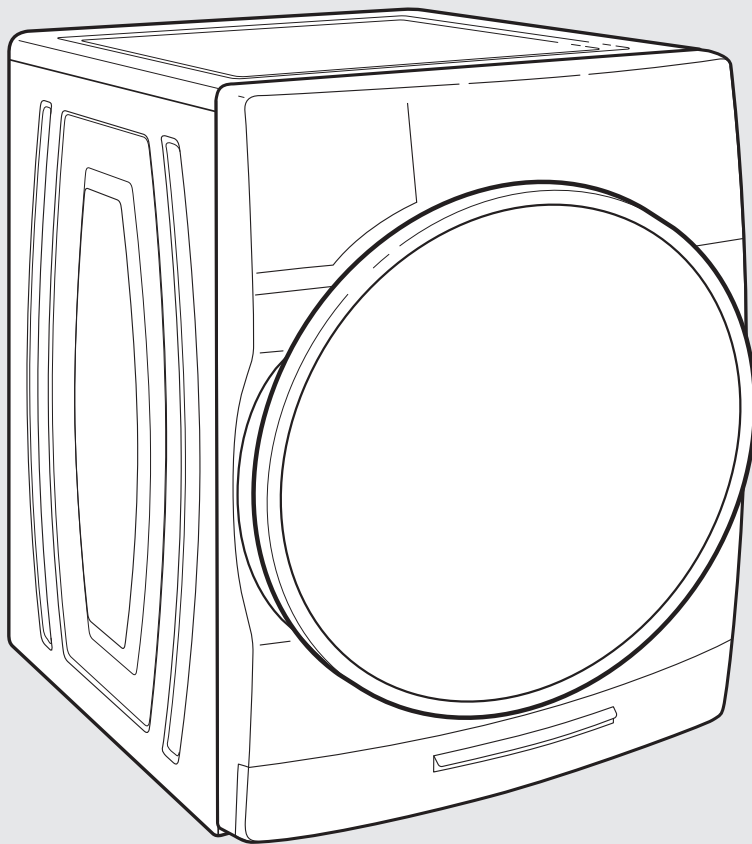




# Use and Care Guide Guide d'utilisation et d'entretien

## Front-Loading Automatic Washer Laveuse automatique à chargement frontal



Para obtener acceso al Manual de uso y cuidado en español, o para obtener información adicional acerca de su producto, visite: [www.whirlpool.com](http://www.whirlpool.com)

If you have any problems or questions, visit us at [www.whirlpool.com](http://www.whirlpool.com)  
Pour tout problème ou toute question, consulter [www.whirlpool.ca](http://www.whirlpool.ca)

Connect your Smart Washer with your mobile device  
at [www.whirlpool.com/connect](http://www.whirlpool.com/connect) (in Canada, [www.whirlpool.ca/connect](http://www.whirlpool.ca/connect))  
Connecter votre laveuse intelligente avec votre appareil mobile  
à [www.whirlpool.ca/connect](http://www.whirlpool.ca/connect)

W11201742A  
W11201743A – SP



Designed to use only HE High Efficiency detergents.  
Conçue pour l'utilisation d'un détergent haute efficacité seulement.

## Table of Contents

WASHER SAFETY .....	2
ACCESSORIES.....	4
OPERATING INSTRUCTIONS .....	5
Control Panel and Features .....	5
Cycle Guide .....	6
Choosing the Right Detergent .....	9
Using the Dispensers.....	10
Using Your Washer .....	11
Washer Maintenance .....	17
INTERNET CONNECTIVITY GUIDE .....	22
TROUBLESHOOTING .....	23
CONNECTED APPLIANCE REGULATORY NOTICES .....	33
WARRANTY .....	35
ASSISTANCE OR SERVICE .....	Back Cover

## Table des matières

SÉCURITÉ DE LA LAVEUSE .....	36
ACCESSOIRES.....	38
INSTRUCTIONS D'UTILISATION .....	39
Tableau de commande et caractéristiques .....	39
Guide de programmes .....	40
Choix du détergent approprié .....	45
Utilisation des distributeurs.....	46
Utilisation de la laveuse.....	47
Entretien de la laveuse .....	54
GUIDE DE CONNEXION INTERNET .....	59
DÉPANNAGE .....	60
AVIS D'APPLICATION DE LA RÉGLEMENTATION DE LA CONNEXION DES ÉLECTROMÉNAGERS.....	70
GARANTIE .....	72
ASSISTANCE OU SERVICE.....	Couverture arrière

## WASHER SAFETY

### Your safety and the safety of others are very important.

We have provided many important safety messages in this manual and on your appliance. Always read and obey all safety messages.



This is the safety alert symbol.

This symbol alerts you to potential hazards that can kill or hurt you and others.

All safety messages will follow the safety alert symbol and either the word "DANGER" or "WARNING." These words mean:

**⚠ DANGER**

You can be killed or seriously injured if you don't immediately follow instructions.

**⚠ WARNING**

You can be killed or seriously injured if you don't follow instructions.

All safety messages will tell you what the potential hazard is, tell you how to reduce the chance of injury, and tell you what can happen if the instructions are not followed.



## WARNING - "Risk of Fire"

- Clothes dryer installation must be performed by a qualified installer.
- Install the clothes dryer according to the manufacturer's instructions and local codes.
- To reduce the risk of severe injury or death, follow all installation instructions.
- Save these instructions.

## IMPORTANT SAFETY INSTRUCTIONS

**WARNING:** To reduce the risk of fire, electric shock, or injury to persons when using the washer, follow basic precautions, including the following:

- Read all instructions before using the washer.
- Do not wash articles that have been previously cleaned in, washed in, soaked in, or spotted with gasoline, dry-cleaning solvents, other flammable, or explosive substances as they give off vapors that could ignite or explode.
- Do not add gasoline, dry-cleaning solvents, or other flammable, or explosive substances to the wash water. These substances give off vapors that could ignite or explode.
- Under certain conditions, hydrogen gas may be produced in a hot water system that has not been used for 2 weeks or more. **HYDROGEN GAS IS EXPLOSIVE.** If the hot water system has not been used for such a period, before using the washing machine, turn on all hot water faucets and let the water flow from each for several minutes. This will release any accumulated hydrogen gas. As the gas is flammable, do not smoke or use an open flame during this time.
- Do not allow children to play on or in the washer. Close supervision of children is necessary when the washer is used near children.
- Before the washer is removed from service or discarded, remove the door or lid.
- Do not reach into the washer if the drum, tub or agitator is moving.
- Do not install or store the washer where it will be exposed to the weather.
- Do not tamper with controls.
- Do not repair or replace any part of the washer or attempt any servicing unless specifically recommended in this manual or in published user-repair instructions that you understand and have the skills to carry out.
- See Installation Instructions for grounding instructions.

**SAVE THESE INSTRUCTIONS**

## IMPORTANT SAFETY INSTRUCTIONS

**WARNING:** To reduce the risk of fire, electric shock, or injury to persons when using the dryer, follow basic precautions, including the following:

- Read all instructions before using the dryer.
- Do not place items exposed to cooking oils in your dryer. Items contaminated with cooking oils may contribute to a chemical reaction that could cause a load to catch fire. To reduce the risk of fire due to contaminated loads, the final part of a tumble dryer cycle occurs without heat (cool down period). Avoid stopping a tumble dryer before the end of the drying cycle unless all items are quickly removed and spread out so that the heat is dissipated.
- Do not dry articles that have been previously cleaned in, washed in, soaked in, or spotted with gasoline, dry-cleaning solvents, or other flammable or explosive substances as they give off vapors that could ignite or explode.
- Do not allow children to play on or in the dryer. Close supervision of children is necessary when the dryer is used near children.
- Before the dryer is removed from service or discarded, remove the door to the drying compartment.
- Do not reach into the dryer if the drum is moving.
- Do not install or store the dryer where it will be exposed to the weather.
- Do not tamper with controls.
- Do not repair or replace any part of the dryer or attempt any servicing unless specifically recommended in this Use and Care Guide or in published user-repair instructions that you understand and have the skills to carry out.
- Do not use fabric softeners or products to eliminate static unless recommended by the manufacturer of the fabric softener or product.
- Do not use heat to dry articles containing foam rubber or similarly textured rubber-like materials.
- Keep area around the exhaust opening and adjacent surrounding areas free from the accumulation of lint, dust, and dirt.
- The interior of the dryer and exhaust vent should be cleaned periodically by qualified service personnel.
- See “Electrical Requirements” located in the installation instructions for grounding instructions.

**SAVE THESE INSTRUCTIONS**

## IMPORTANT SAFETY INSTRUCTIONS

When discarding or storing your old clothes dryer, remove the door.

**SAVE THESE INSTRUCTIONS**

## ACCESSORIES

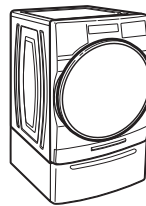
### INSTALLATION & MAINTENANCE ACCESSORIES

**FACTORY CERTIFIED PARTS** – these three words represent quality parts and accessories designed specifically for your appliance. Time tested engineering that meets our strict quality specifications.

---

## FACTORY CERTIFIED PARTS

---



#### 15" Pedestal

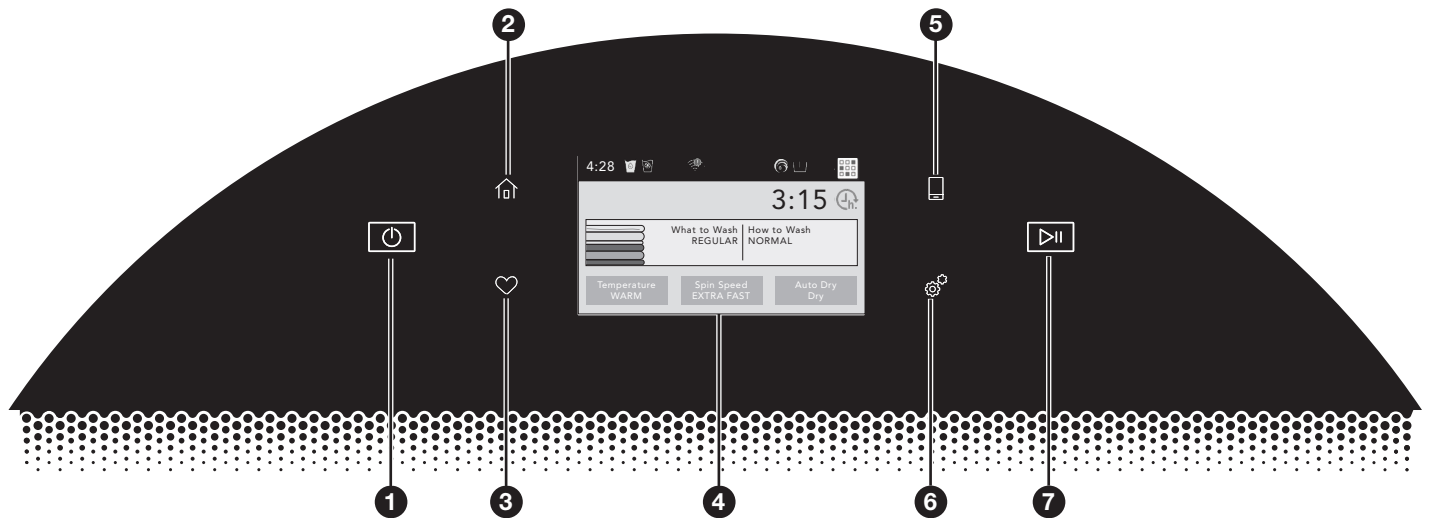
Color-matched pedestals raise the washer to a more comfortable working height. The large drawer provides convenient storage.

Accessories designed for your appliance:

Customize your new washer with the following genuine Whirlpool accessories. For more information on options and ordering, call **1-866-698-2538** or visit us at: [www.whirlpoolparts.com](http://www.whirlpoolparts.com). In Canada, call **1-800-688-2002** or visit us at [www.whirlpool.ca](http://www.whirlpool.ca).

# OPERATING INSTRUCTIONS

## Control Panel and Features



**NOTE:** The control panel features a sensitive surface that responds to a light touch of your finger. To ensure your selections are registered, touch the control panel with your fingertip, not your fingernail.

### 1 POWER BUTTON

Touch to power up the washer.

### 2 HOME BUTTON

Touch this button and the LCD screen will show the home screen, where you can select your cycle, settings, and options.

### 3 FAVORITES BUTTON

Stores and accesses your favorite cycles and a history of your recently run cycles.

### 4 LCD SCREEN

Use this screen to select cycle, settings, options, etc.

### 5 REMOTE ENABLE BUTTON

Download the Whirlpool™ app and follow the instructions to connect your washer to your home Wi-Fi network. You may also visit [www.whirlpool.com/connect](http://www.whirlpool.com/connect). In Canada, visit [www.whirlpool.ca/connect](http://www.whirlpool.ca/connect). After connecting to WiFi, touch the REMOTE ENABLE button any time you want to use the app. Touching this button locks out the LCD screen and you will be prompted with a message about the washer waiting for input from the app. If you want to exit this mode, touch the REMOTE ENABLE button again.

### 6 TOOLS BUTTON

Touch this button to access the tools screen. For more information, see “Using Your Washer” Step 12.

### 7 START/PAUSE BUTTON

Touch and hold to start, or touch to pause a cycle. When you start a cycle, the door will lock, the washer will sense the load size, and the wash cycle will begin.

### 8 DISPENSERS

#### Load & Go™ Bulk Dispenser

The Load & Go™ dispenser gives you the convenience of not having to add HE detergent and fabric softener to the wash load every time. It also determines the best time and amount to add the detergent to the load. See the “Using the Dispensers” section for information on using the dispenser drawer.

#### A 2-Liter Bulk Liquid High Efficiency (HE) detergent dispenser

This bulk dispenser holds up to 67.6 oz (2 L) of liquid HE detergent.

#### B 1-Liter Bulk Liquid High Efficiency (HE) detergent/fabric softener dispenser

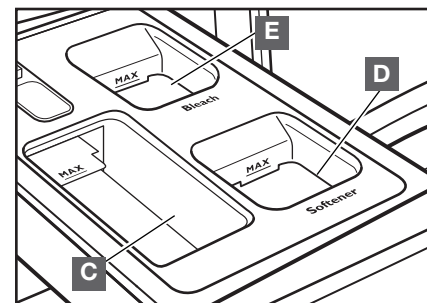
This bulk dispenser holds up to 33.8 oz (1 L) of liquid HE detergent or liquid fabric softener.

Each dispenser holds enough detergent or fabric softener for many loads of laundry. Each adds the appropriate quantity to the wash load at the proper time. See the “Using the Dispensers” section for information on using the dispenser.

**IMPORTANT:** Do not use chlorine bleach or powdered detergent in the bulk dispenser. Powdered detergent and bleach must be added to the single load dispenser. See the “Using the Washer” section.

#### Single-load dispenser drawer

The single-load dispenser drawer gives you the convenience of adding HE detergent, liquid chlorine bleach, and liquid fabric softener to the wash load at the proper time. See the “Using the Dispensers” section for information on using the dispenser drawer.



#### C High Efficiency (HE) detergent compartment

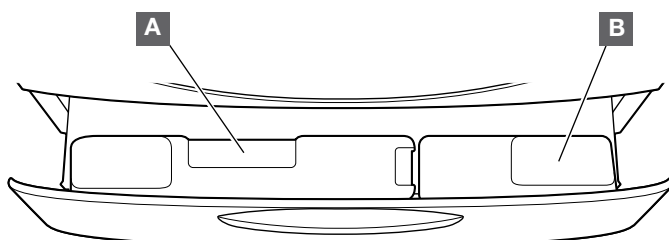
This compartment holds liquid or powdered HE detergent for your main wash cycle, and automatically dispenses detergent in the cycle.

#### D Liquid fabric softener compartment

This compartment holds liquid fabric softener. It automatically dispenses liquid fabric softener at the optimum time in the cycle.

#### E Liquid chlorine bleach compartment

This compartment automatically dilutes and dispenses liquid chlorine bleach at the optimum time during the first rinse after the wash cycle. It cannot dilute powdered bleach.



# Cycle Guide

You can use this washer to wash only, dry only, or wash and dry. This washer has a unique user interface to help you select the best wash cycle for your load. The “What to Wash/How to Wash” layout guides you to the optimal cycle in two easy steps:

First, determine what items are in the load that you are trying to wash. Use that to guide your “What to Wash” selection. Then determine how you want the washer to wash them and select the appropriate “How to Wash” selection. Selecting “What to Wash” will automatically select a default “How to Wash selection,” so selecting a “How to Wash” is optional. See chart below for more details.

What Items Do You Want to Wash?	“What to Wash” Cycle Selection:
Cottons, linens, and mixed garment loads	Regular
Bright- or dark-colored cottons, linens, and mixed loads	Colors
White fabrics/garments	Whites
Sturdy towels and washcloths	Towels
No-iron fabrics, dress shirts/pants, synthetics, sheer/lacy garments	Delicates
Large items such as small comforters, sleeping bags, jackets, and washable rugs	Bulky Items

How Do You Want to Wash Them?	“How to Wash” Cycle Selection:
Regular/normal	Normal
Fast	Quick
With fewer wrinkles	Wrinkle Control
Intense cleaning	Heavy Duty
Gentle cleaning with cold water	Cold Wash
Eliminate 99.9% of three common household bacteria	Sanitize*

Settings and options shown in **bold** are default settings for that wash cycle. For best fabric care, choose the cycle, options, and settings that best fit the load being washed. Always read and follow fabric care labels and laundry product instructions. Avoid tightly packing the washer. The washer will not rinse well or spin correctly if tightly packed. Loading the drum half full or less will improve drying performance and cycle time. Not all settings are available with each cycle, and some options cannot be used together.

What	How	Basic Options			Additional Options				
		Temperature	Spin Speed	Drying Options	Soil Level	Pre-Soak	Steam Clean	Extra Rinse	FanFresh®
Regular	<b>Normal</b>	Cold Cool <b>Warm</b> Hot Extra Hot	Off Medium Fast <b>Extra Fast</b>	Auto Dry Timed Dry	Light <b>Normal</b> Heavy	X	X	X	X
	Quick	Cold Cool <b>Warm</b> Hot Extra Hot	Off Medium Fast <b>Extra Fast</b>	Auto Dry Timed Dry	<b>Light</b> Normal Heavy	X	X	X	X
	Wrinkle Control	<b>Cold</b> Cool Warm Hot Extra Hot	Off <b>Slow</b> Medium Fast Extra Fast	Auto Dry Timed Dry	<b>Light</b> Normal Heavy	X	X	X	X
	Heavy Duty	Cold Cool Warm <b>Hot</b> Extra Hot	Off Medium Fast <b>Extra Fast</b>	Auto Dry Timed Dry	Light <b>Normal</b> Heavy	X	X	X	X
	Cold Wash	<b>Cold</b> Cool Warm Hot Extra Hot	Off Medium Fast <b>Extra Fast</b>	Auto Dry Timed Dry	Light Normal <b>Heavy</b>	X		X	X
	Sanitize	<b>Extra Hot</b>	Off Medium Fast <b>Extra Fast</b>	Auto Dry Timed Dry	<b>Light</b> Normal Heavy		X	X	X
Colors	Normal	Cold Cool <b>Warm</b> Hot Extra Hot	Off Slow Medium <b>Fast</b> Extra Fast	Auto Dry Timed Dry	<b>Light</b> Normal Heavy	X	X	X	X

\*This cycle eliminates 99.9% of the most common bacteria found in clothes, sheets, and towels. The extra hot wash temperature ensures sanitization. Check recommended wash temperature of your items. Bacteria tested were K. pneumonia, P. aereginosa, and S. aureus.

What	How	Basic Options			Additional Options				
		Temperature	Spin Speed	Drying Options	Soil Level	Pre-Soak	Steam Clean	Extra Rinse	FanFresh®
Colors (cont.)	Quick	Cold Cool <b>Warm</b> Hot Extra Hot	Off Slow Medium <b>Fast</b> Extra Fast	Auto Dry Timed Dry	<b>Light</b> Normal Heavy	X	X	X	X
	Wrinkle Control	<b>Cold</b> Cool Warm Hot Extra Hot	Off <b>Slow</b> Medium Fast Extra Fast	Auto Dry Timed Dry	<b>Light</b> Normal Heavy	X	X	X	X
	Heavy Duty	Cold Cool Warm <b>Hot</b> Extra Hot	Off Slow Medium <b>Fast</b> Extra Fast	Auto Dry Timed Dry	<b>Light</b> Normal Heavy	X	X	X	X
	<b>Cold Wash</b>	<b>Cold</b> Cool Warm Hot Extra Hot	Off Slow Medium <b>Fast</b> Extra Fast	Auto Dry Timed Dry	<b>Light</b> Normal Heavy	X		X	X
	Sanitize	<b>Extra Hot</b>	Off Slow Medium Fast <b>Extra Fast</b>	Auto Dry Timed Dry	<b>Light</b> Normal Heavy		X	X	X
Whites	<b>Normal</b>	Cold Cool <b>Warm</b> Hot Extra Hot	Off Slow Medium <b>Fast</b> Extra Fast	Auto Dry Timed Dry	Light Normal <b>Heavy</b>	X	X	X	X
	Quick	Cold Cool <b>Warm</b> Hot Extra Hot	Off Slow Medium <b>Fast</b> Extra Fast	Auto Dry Timed Dry	<b>Light</b> Normal Heavy	X	X	X	X
	Wrinkle Control	<b>Cold</b> Cool Warm Hot Extra Hot	Off <b>Slow</b> Medium Fast Extra Fast	Auto Dry Timed Dry	<b>Light</b> Normal Heavy	X	X	X	X
	Heavy Duty	Cold Cool Warm <b>Hot</b> Extra Hot	Off Slow Medium <b>Fast</b> Extra Fast	Auto Dry Timed Dry	Light Normal <b>Heavy</b>	X	X	X	X
	Cold Wash	<b>Cold</b> Cool Warm Hot Extra Hot	Off Slow Medium <b>Fast</b> Extra Fast	Auto Dry Timed Dry	Light Normal <b>Heavy</b>	X		X	X
	Sanitize	<b>Extra Hot</b>	Off Slow Medium Fast <b>Extra Fast</b>	Auto Dry Timed Dry	<b>Light</b> Normal Heavy		X	X	X
Towels	Normal	Cold Cool <b>Warm</b> Hot Extra Hot	Off Slow Medium Fast <b>Extra Fast</b>	Auto Dry Timed Dry	Light Normal <b>Heavy</b>	X	X	X	X
	Quick	Cold Cool <b>Warm</b> Hot Extra Hot	Off Slow Medium Fast <b>Extra Fast</b>	Auto Dry Timed Dry	<b>Light</b> Normal Heavy	X	X	X	X
	Wrinkle Control	<b>Cold</b> Cool Warm Hot Extra Hot	Off <b>Slow</b> Medium Fast Extra Fast	Auto Dry Timed Dry	<b>Light</b> Normal Heavy	X	X	X	X
	<b>Heavy Duty</b>	Cold Cool Warm <b>Hot</b> Extra Hot	Off Slow Medium Fast <b>Extra Fast</b>	Auto Dry Timed Dry	Light Normal <b>Heavy</b>	X	X	X	X

What	How	Basic Options			Additional Options				
		Temperature	Spin Speed	Drying Options	Soil Level	Pre-Soak	Steam Clean	Extra Rinse	FanFresh®
Towels (cont.)	Cold Wash	Cold Cool Warm Hot Extra Hot	Off Slow Medium Fast Extra Fast	Auto Dry Timed Dry	Light Normal Heavy	X		X	X
	Sanitize	Extra Hot	Off Slow Medium Fast Extra Fast	Auto Dry Timed Dry	Light Normal Heavy		X	X	X
Delicates	Normal	Cold Cool Warm Hot Extra Hot	Off Slow Medium Fast Extra Fast	Auto Dry Timed Dry	Light Normal Heavy	X	X	X	X
	Quick	Cold Cool Warm Hot Extra Hot	Off Slow Medium Fast Extra Fast	Auto Dry Timed Dry	Light Normal Heavy	X	X	X	X
	Wrinkle Control	Cold Cool Warm Hot Extra Hot	Off Slow Medium Fast Extra Fast	Auto Dry Timed Dry	Light Normal Heavy	X	X	X	X
	Heavy Duty	Cold Cool Warm Hot Extra Hot	Off Slow Medium Fast Extra Fast	Auto Dry Timed Dry	Light Normal Heavy	X	X	X	X
	Cold Wash	Cold Cool Warm Hot Extra Hot	Off Slow Medium Fast Extra Fast	Auto Dry Timed Dry	Light Normal Heavy	X		X	X
	Sanitize	Extra Hot	Off Slow Medium Fast Extra Fast	Auto Dry Timed Dry	Light Normal Heavy		X	X	X
Bulky Items	Normal	Cold Cool Warm Hot Extra Hot	Off Slow Medium Fast Extra Fast	Auto Dry Timed Dry	Light Normal Heavy	X	X	X	X
	Quick	Cold Cool Warm Hot Extra Hot	Off Slow Medium Fast Extra Fast	Auto Dry Timed Dry	Light Normal Heavy	X	X	X	X
	Wrinkle Control	Cold Cool Warm Hot Extra Hot	Off Slow Medium Fast Extra Fast	Auto Dry Timed Dry	Light Normal Heavy	X	X	X	X
	Heavy Duty	Cold Cool Warm Hot Extra Hot	Off Slow Medium Fast Extra Fast	Auto Dry Timed Dry	Light Normal Heavy	X	X	X	X
	Cold Wash	Cold Cool Warm Hot Extra Hot	Off Slow Medium Fast Extra Fast	Auto Dry Timed Dry	Light Normal Heavy	X		X	X

Government energy certifications were based on the REGULAR (WHAT TO WASH), NORMAL (HOW TO WASH), DRYING MODE - AUTO DRYING OFF, TIMED DRYING 6 HOURS, DRYING ONLY ON CYCLE - DRYING TEMPERATURE SETTING NON-SELECTABLE. The as-shipped defaults of REGULAR (WHAT TO WASH), NORMAL (HOW TO WASH), WARM TEMP, SPIN SPEED EXTRA FAST, DRYING MODE - AUTO DRYING OFF, TIMED DRYING OFF, DRYING ONLY OFF were not used for energy testing.



## Choosing the Right Detergent

Use only High Efficiency detergents. The package will be marked “HE” or “High Efficiency.” Low-water washing creates excessive sudsing with a non-HE detergent. Using non-HE detergent will likely result in longer cycle times and reduced rinsing performance. It may also result in component malfunction and, over time, buildup of mold or mildew. HE detergents should be low-sudsing and quick-dispersing to produce the right amount of suds for the best performance. They should hold soil in suspension so it is not redeposited onto clean clothes. Not all detergents labeled as High Efficiency are identical in formulation and their ability to reduce suds. For example, natural, organic, or homemade HE detergents may generate a high level of suds. Always follow the detergent manufacturer’s instructions to determine the amount of detergent to use.



Use only High Efficiency (HE) detergent.

## About Detergent Concentration

Today’s liquid HE detergents are concentrated. Most brands of concentrated HE detergent will show the level of concentration on the bottle.

However, if the detergent bottle does not give the concentration, it can be easily calculated. Just divide the package size in fluid ounces by the number of loads. Then refer to the chart below to find the concentration.

Set the concentration level setting on the washer by using the Tools button (see Step 12 in “Using Your Washer”). If you do not get your desired cleaning results, set the concentration level to a lower concentration number. If you have excess suds, set the concentration level to a higher concentration number.

Concentration	Number of ounces ÷ number of loads
2X	1.5–2.49 (44.4 mL–73.6 mL)
3X	0.9–1.49 (26.6 mL–44.1 mL)
4X	0.7–0.89 (20.7 mL–26.3 mL)
5X	0.5–0.69 (14.8 mL–20.4 mL)
6X	0.3–0.49 (8.9 mL–14.5 mL)

# Using the Dispensers

1. For automatic dispensing, open the bulk dispenser drawer using the handle at the base of the washer. For a single load, open the single-load dispenser drawer at the top left corner of the washer and disable the Load & Go™ option.
2. Add laundry products as described below.
3. Slowly close the dispenser drawer. Make sure it is completely closed.

## NOTES:

- A small amount of water may remain in the single load dispenser from the previous wash cycle. This is normal.
- See “About Detergent Concentration” for information on detergent concentration.
- When detergent in the bulk dispenser is running low, the display will show the detergent level (Low).
- Add single-dose and Oxi-type boosters to the drum before loading items. See the “Using Your Washer” section.

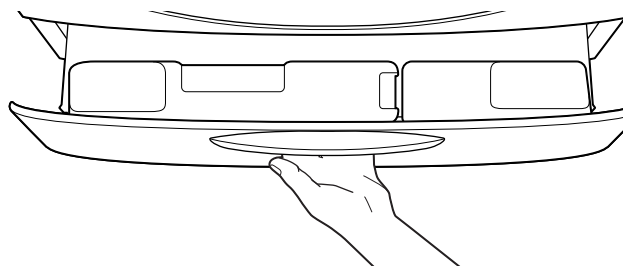
## Adding HE detergent to dispenser

### Load & Go™ bulk dispenser

Use only High Efficiency (HE) liquid detergents. The bulk dispensers will hold about 67.6 oz (2 L) or 33.8 oz (1 L) of liquid HE detergent, depending on dispenser, or enough for many loads of laundry.

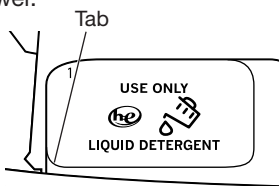


### To Fill Bulk Dispensers:

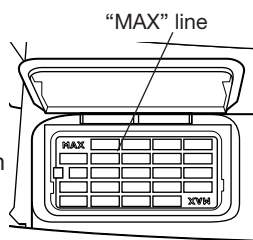


Open the dispenser drawer by pulling on the handle at the base of the washer. If desired, the bulk dispensers can be completely removed from the drawer.

Locate the Load & Go™ bulk dispenser. Gently pull up on the tab located on the bulk dispenser lid to lift the fill door.

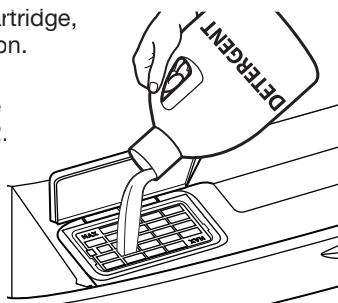


Fill to the “MAX” line (see illustrations at right) with HE liquid detergent or liquid fabric softener (1-liter dispenser only). Close fill door. It will click into place. Make sure the concentration setting is correct (see the “Choosing the Right Detergent” section).

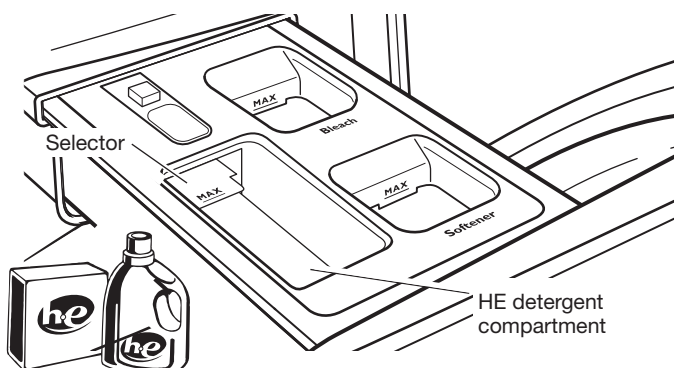


It is recommended that you rinse out the Load & Go™ containers when refilling, when changing detergent types or concentrations, or when the washer will not be used for an extended period. For instructions on cleaning the dispenser cartridge, see the “Washer Care” section.

For instructions on changing detergent concentration, see “Using Your Washer, Step 12.”



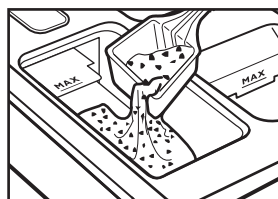
### Adding detergent for a single load



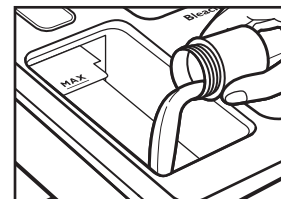
Use only High Efficiency (HE) detergent.

Pour a measured amount of HE detergent into detergent compartment. For powdered detergent, lift the selector to the high position. For liquid detergent, push down the selector to the low position.

Do not overfill; adding too much detergent may cause detergent to be dispensed into the washer too early.



**Powdered detergent:**  
Lift the selector to the high position. Add directly to the compartment.



**Liquid detergent:**  
Push down the selector to the low position. Add directly to the compartment.

### IMPORTANT:

- Disable Load & Go™ dispenser(s) as desired (see Step 12 in “Using Your Washer”).
- Do not add single-dose laundry packet to dispenser drawer.

# Using Your Washer

## ⚠ WARNING



### Fire Hazard

Never place items in the washer that are dampened with gasoline or other flammable fluids.

No washer can completely remove oil.

Do not dry anything that has ever had any type of oil on it (including cooking oils).

Doing so can result in death, explosion, or fire.

## ⚠ WARNING



### Electrical Shock Hazard

Plug into a grounded 3 prong outlet.

Do not remove ground prong.

Do not use an adapter.

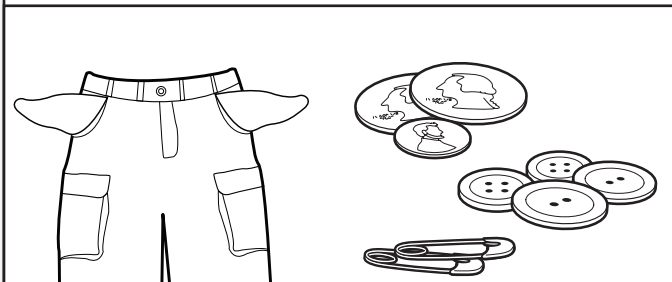
Do not use an extension cord.

Failure to follow these instructions can result in death, fire, or electrical shock.

## First wash cycle without laundry

Before washing clothes for the first time, set up the Load & Go™ bulk dispenser or add detergent to the single-dose dispenser (see the “Using the Dispensers” section). Choose the Regular (what to wash) and Quick (how to wash) cycle and run it without clothes. Use only HE detergent. This initial cycle serves to ensure the interior is clean.

## 1. Sort and prepare your laundry

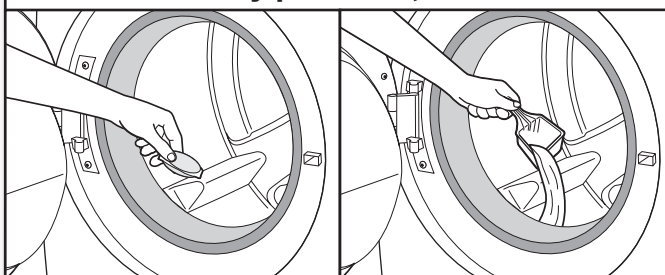


Sort items by recommended cycle, water temperature, and colorfastness. Separate heavily soiled items from lightly soiled. Separate delicate items from sturdy fabrics. Treat stains promptly and check for colorfastness by testing stain remover products on an inside seam.

### IMPORTANT:

- Empty pockets. Loose change, buttons, or any small object can plug pumps and may require a service call.
- Close zippers, fasten hooks, tie strings and sashes, and remove non-washable trim and ornaments.
- Mend rips and tears to avoid further damage to items during washing.
- Turn knits inside out to prevent pilling. Separate lint-takers from lint-givers. Synthetics, knits, and corduroy fabrics will pick up lint from towels, rugs, and chenille fabrics.
- Do not dry garments if stains remain after washing, because heat can set stains into fabric.
- Always read and follow fabric care labels and laundry product instructions. Improper usage may cause damage to your garments.

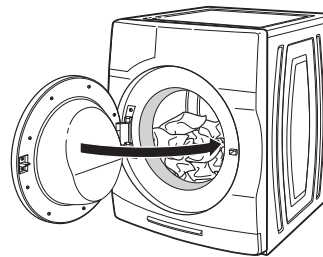
## 2. Add laundry products, if desired



Single-dose laundry packets, Oxi-type boosters, color-safe bleach, or scented crystals can be added to the drum prior to adding laundry. When using single-dose laundry packets, make sure that the bulk dispenser is disabled or off (see Step 12).

**NOTE:** Always follow manufacturer’s instructions.

## 3. Load laundry into washer

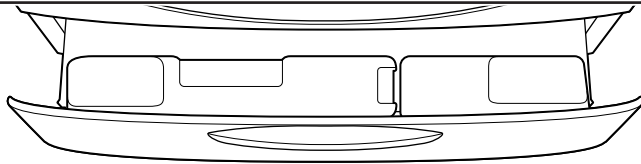


Place a load of sorted items loosely in the washer. Items need to move freely for best cleaning and to reduce wrinkling and tangling. If using the drying option, loading the drum half full or less and not interrupting the drying cycle by opening the door will improve drying performance and cycle time. Close the washer door by pushing it firmly until the latch clicks.

- Push load fully into the washer. Make sure no items are resting on the rubber seal to avoid trapping them between the seal and the door window.
- Mix large and small items and avoid washing single items. Load evenly.
- Wash small items in mesh garment bags. For multiple items, use more than one bag and fill bags equally.

## 4. Add HE detergent

### Load & Go™ Bulk Dispenser

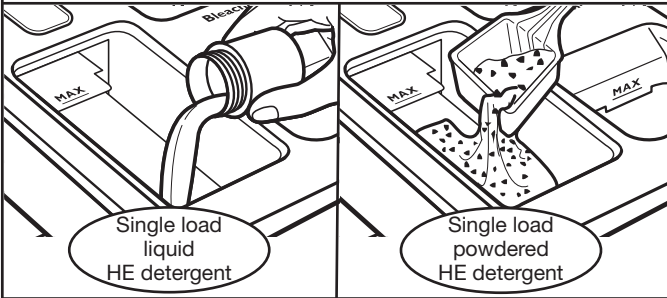


Liquid HE detergent  
bulk dispenser

If the bulk dispenser already contains enough detergent to wash your load, ensure the Load & Go™ dispenser you want to use is enabled as described in Step 12. If you need to add detergent to the bulk dispenser, see the “Using the Dispensers” section.

OR

### Single-Load Dispenser Drawer



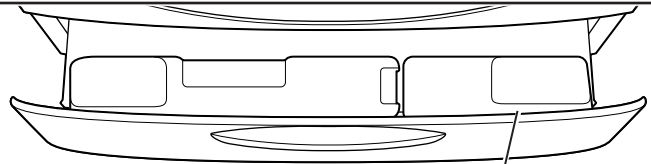
Single load  
liquid  
HE detergent

Single load  
powdered  
HE detergent

Adjust the selector, based on type of HE detergent used (either liquid or powdered). Add a measured amount of detergent directly into the detergent compartment. See “Using the Dispensers” section. Disable the Load & Go™ dispenser(s).

## 5. Add liquid fabric softener, if desired

### Load & Go™ Bulk Dispenser

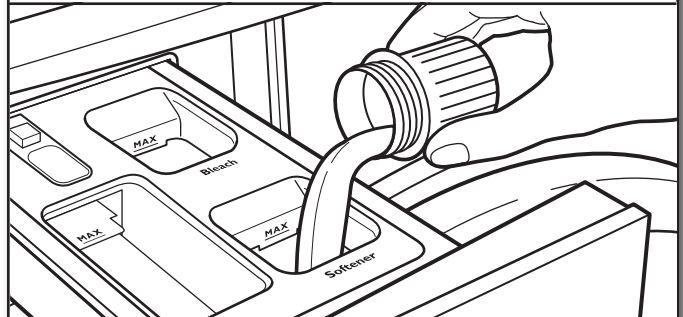


Liquid HE detergent/  
fabric softener  
bulk dispenser

If the bulk dispenser already contains enough fabric softener for your load, ensure the 1-Liter Load & Go™ dispenser is enabled as described in Step 12. If you need to add fabric softener to the bulk dispenser, see the “Using the Dispensers” section.

OR

### Single-Load Dispenser Drawer



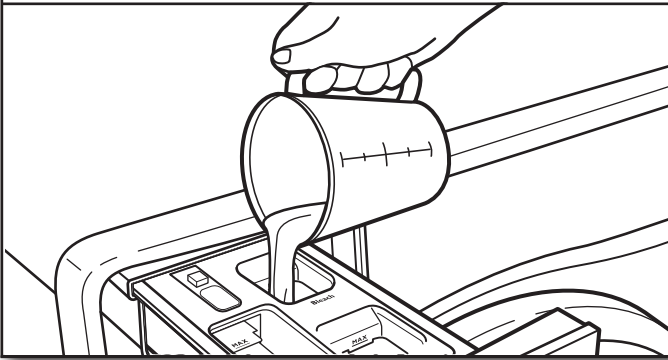
Pour a measured amount of liquid fabric softener into liquid fabric softener compartment. Always follow manufacturer’s directions for correct amount of fabric softener, based on your load size. Disable the 1-Liter Load & Go™ dispenser if not used to dispense detergent.

Fabric softener is always dispensed in the last rinse, even if Extra Rinse is selected.

**IMPORTANT:** Do not overfill, dilute, or use more than the manufacturer-recommended quantity of fabric softener. Do not fill past the “MAX” line. Overfilling dispenser will cause fabric softener to immediately dispense into washer.

- Do not spill or drip any fabric softener onto the clothes.
- Do not use liquid fabric softener dispenser balls in this washer. They will not dispense correctly.
- Do not use fabric softener sheets.

## 6. Add liquid chlorine bleach to single-load dispenser, if desired



Add liquid chlorine bleach to the bleach compartment. Do not overfill, dilute, or use more than 2/3 cup (165 mL). Do not use color-safe bleach or Oxi in the same cycle with liquid chlorine bleach.

### IMPORTANT:

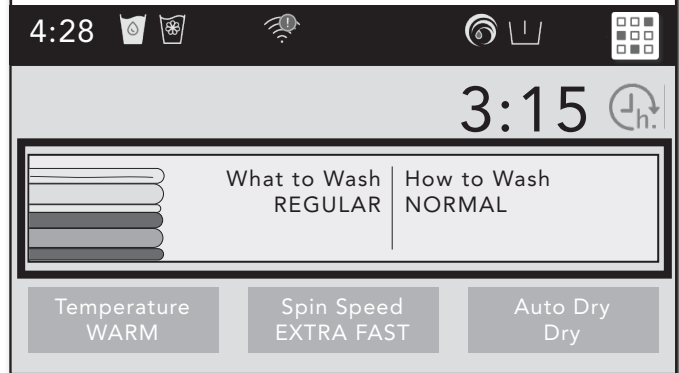
- Always measure liquid chlorine bleach. Use a measuring cup with a pour spout; do not guess.
- Do not fill beyond the “MAX” level. Overfilling could cause garment damage.
- Do not use thickened, easy-pour, or no-splash bleach when running the Clean Washer with affresh® cycle as excess suds may occur.
- Do not add liquid chlorine bleach to the bulk dispenser.
- Slowly close dispenser drawers. Make sure the drawers are closed completely.

## 7. Touch POWER button to turn on washer



Touch until the indicators turn on.

## 8. Select wash program/cycle



From the home screen, touch the “What to Wash” area of the screen to select the program that best matches the items you want to wash. You may need to scroll down with your finger to see all of the selections. Touch the desired program to return to the home screen.

Touch the “How to Wash” area of the screen to select the program that best matches the method that you would like to wash those items. You may need to scroll down with your finger to see all of the selections. Touch the desired program to return to the home screen.

## 9. Adjust temperature and spin speed, if desired†



### To adjust temperature:

From the home screen, touch the “Temperature” area of the screen to show the Temperature settings available for the cycle/program chosen in Step 8. Touch the desired setting and touch OKAY to confirm that setting.

The recommended wash temperature is preset for each cycle. Some preset temperatures can be changed. You may select a different wash temperature based on the level of soil and type of fabric being washed. For best results, use the warmest wash water safe for your fabric, following the garment label instructions. All wash temperatures feature a cold rinse.

### To adjust spin speed:

Touch the “Spin Speed” area of the screen to show the Spin Speed settings available for the cycle/program chosen in Step 8. Touch the desired setting and touch OKAY to confirm that setting.


The recommended spin speed is preset for each cycle. Some preset speeds can be changed.

- Faster spin speeds mean shorter dry times, but may increase wrinkling in your load.
- Slower spin speeds reduce wrinkling, but will leave your load more damp.

†Not all options and settings are available with all programs/cycles. See “Cycle Guide” for available options and settings.

## Drying Function (Step 10)

**⚠ WARNING**




**Explosion Hazard**

Keep flammable materials and vapors, such as gasoline, away from dryer.

Do not dry anything that has ever had anything flammable on it (even after washing).

Failure to follow these instructions can result in death, explosion, or fire.

**⚠ WARNING**



**Fire Hazard**







No washer can completely remove oil.


Do not dry anything that has ever had any type of oil on it (including cooking oils).

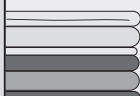
Do not dry items containing foam, rubber, or plastic in this dryer.

Failure to follow these instructions can result in death or fire.

**10. Select drying function, if desired†**

4:28
  
 


3:15 

	What to Wash REGULAR	How to Wash NORMAL
---	-------------------------	-----------------------

Temperature  
WARM

Spin Speed  
EXTRA FAST

Auto Dry  
Dry

From the home screen, touch the “Drying Mode” area of the screen to show the available Drying Mode settings.

From the Drying Mode screen, choose between Automatic Drying and Timed Drying. For Automatic Drying, touch AUTO DRY; then touch the screen to choose between Damp Dry, Dry, and Extra Dry. For Timed Drying, touch TIMED DRY; then touch the screen to choose from among 240 min, 270 min, 300 min, 330 min, and 360 min. Expect longer drying times than with traditional vented dryers.

### To run a dry cycle only:

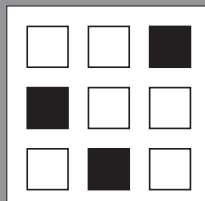
Load the drum half full or less for optimal drying performance and cycle time. From the home screen, touch the “Drying Mode” area of the screen to show the available Drying Mode settings, and from the Drying Mode screen, after making the Automatic Drying or Timed Drying choices as mentioned above, touch “DRYING ONLY ON.” Do not open the door during the drying cycle.

**NOTE:** The washer will spin at high speed prior to running the dry cycle.

### IMPORTANT:

- Do not use dryer sheets.
- Do not dry comforters or large blankets.

**11. Select options, if desired†**



From the home screen, touch the Options icon (at upper right of screen) and the Options screen will show Soil Level, Extra Rinse, Pre-Soak, FanFresh®, Steam Clean, and Wrinkle Shield™ selections. Previously selected “What to Wash” and “How to Wash” options will be shown on the screen. Touch the screen for each option to change its setting.

### Soil Level Option

The recommended soil level is preset for each cycle. The Soil Level option allows you to select a Light, Normal, or Heavy soil level setting. Some preset soil levels can be changed. For heavily soiled and sturdy fabrics, select the Heavy soil level setting. For lightly soiled and delicate fabrics, select the Light soil level setting. Lower soil level settings will help reduce tangling and wrinkling.

### Extra Rinse Option

The Extra Rinse option provides an additional rinse to the selected cycle.

### Pre-Soak Option

The Pre-Soak option can be set for 30 min, 1 hr or 8 hrs.

### FanFresh® Option

The FanFresh® option will periodically tumble the load after the end of the cycle for up to 12 hours. Touch FAN FRESH to activate this option. This option is not available when a drying mode is selected. FanFresh® may be ended at any time by touching the “X” on the touch screen to the right of the estimated time remaining.

### Steam Clean Option

The Steam Clean option adds additional soak and wash time to many cycles to help remove tough stains, as well as a steam boost for added cleaning power. An integrated heater helps to maintain optimal wash temperatures. See the “Cycle Guide” for cycles that allow the Steam Clean option.

### Wrinkle Shield™ Option

The Wrinkle Shield™ option is only available when a drying mode is selected, and will periodically tumble the load after the end of the cycle for up to 12 hours. Wrinkle Shield™ may be ended at any time by touching the “X” on the touch screen to the right of the estimated time remaining.

†Not all options and settings are available with all programs/cycles. See “Cycle Guide” for available options and settings.

## 12. Use Tools button to change other settings, if desired



The Tools button gives access to many other settings, utility cycles, preferences, and information. Touch the TOOLS button to access the Tools screen, which contains the following (you will need to scroll down with your finger to access all of the selections):

### Load & Go™ Dispenser 1

Touch this icon to access:

Load & Go™ Status Dispenser 1 and choose between:

- Active
- Disabled (1 Cycle)
- Off (Permanently)

Detergent Concentration Dispenser 1 and choose between:

- 2X
- 3X
- 4X
- 5X
- 6X
- 8X

### Load & Go™ Dispenser 2

Touch this icon to access:

Load & Go™ Status Dispenser 2 and choose between:

- Active
- Disabled (1 Cycle)
- Off (Permanently)

Load & Go™ Content Dispenser 2 and choose between:

- Softener
- Detergent

Once set at Detergent:

Set Concentration Dispenser 2 and choose between:

- 2X
- 4X
- 6X
- 8X

### Control Lock

Touch this icon to lock the controls. Swipe up to unlock.

### Mute

Touch this icon to mute or unmute sounds.

### Utility Cycles

Touch this icon to access the following utility cycles: Drain & Spin and the Clean Washer with affresh® cycle. Touch the utility cycle you wish to use and follow the screen prompts.

**NOTE:** To get a Rinse & Spin cycle, select Drain & Spin and the Extra Rinse option.

### Preferences

Touch to access Times and Dates, Sound Volume, Display Settings, and Regional. Follow the screen prompts.

### WiFi

Touch to access Connect to Network, SAID (Smart Appliance ID) Codes, Mac Address, and WiFi. Follow the screen prompts.

### Info

Touch to access Service & Support, Store Demo Mode, Restore Factory, WiFi Terms and Conditions, and Software Terms and Conditions. Follow the screen prompts.

**NOTE:** All changes to settings will remain in effect until settings are changed again.

## 13. Touch and hold START/PAUSE button to begin cycle



Touch and hold the START/PAUSE button to start the cycle. To pause a cycle in progress, touch the START/PAUSE button once; then touch again to continue the cycle. To cancel a cycle, touch the “X” on the touch screen to the right of the estimated time remaining and run Drain & Spin to remove any excess water.

At each stage of the process, you may notice sounds or pauses that are different from traditional washers.

When Start/Pause is touched the washer will chime, indicating it is starting. The drum will make a partial turn. The door will click when it locks. Once the door has locked, the washer will begin spinning to sense load size. This sensing process will continue throughout the cycle. After the load size is sensed, the estimated time based on load size will be displayed and water will be added. You may hear water flowing through the dispenser, adding detergent to the load. The actual cycle time may be lengthened; however, the display will continue to show the estimated time.

### Unlocking the door to add garments:

If you need to open the door to add one or two missed garments, you may do so when “Add Garments” appears on the display. The time allowed to add a garment will vary based on cycle selection and load size.

Touch ADD GARMENTS once; the door will unlock once the washer movement has stopped. This may take several seconds. Then close the door and touch and hold Start again to restart the cycle.

### Adding items after “Add Garments” is no longer displayed:

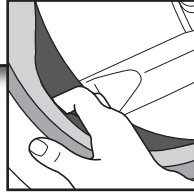
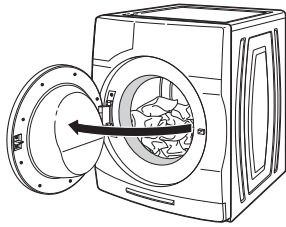
Cancel the current cycle. Water will drain and you will need to reselect the cycle and restart.

## 14. Touch POWER button to turn off washer after cycle ends



The Power button is also used to turn on the washer before use.

## 15. Remove garments promptly after cycle is finished



After a wash-only cycle, promptly remove garments after cycle has completed to avoid odor and rusting of metal objects on garments. When unloading garments, pull back the door seal and check for small items between the tub and the washer drum.

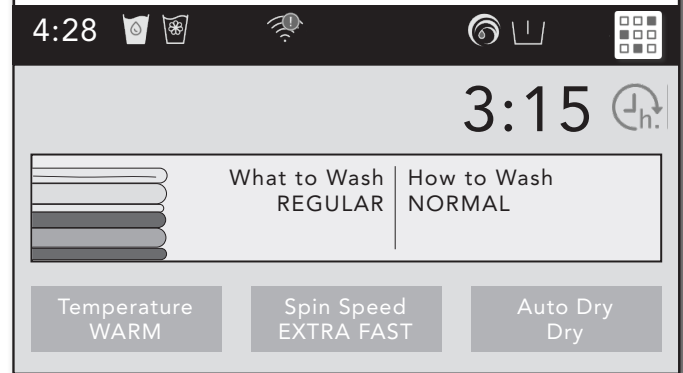
If you will be unable to remove the load promptly after a wash-only cycle, use the FanFresh® option (see Step 11).

After a wash and dry cycle or a dry-only cycle, promptly remove garments after cycle has completed to reduce wrinkling.

### NOTES:

- This washer has a tight seal to avoid water leaks. To avoid odors, leave the door open to allow the washer to dry between uses.
- If a dry cycle is interrupted and the load removed before the cool-down period at the end of the cycle, the load will be very hot.

## Setting a delayed start



Touch POWER until the indicators turn on. From the home screen, make sure the washer is set to the correct time and date (if it is not, see Step 12 for instructions on how to set the time and date).

Touch the clock icon on the far right portion of the touch screen. The “Select a start time” screen will show on the display. Scroll horizontally to select a preferred start time for your wash cycle. The times will display in 15-minute increments up to 8 hours. Touch OKAY to set the start time. The display will return to the home screen and the clock icon will turn brown.

To delete or modify the delayed start, touch the clock icon again and follow the screen prompts.



# Washer Maintenance

## CLEANING THE WASHER LOCATION

Keep washer area clear and free from items that would block the airflow for proper drying. This includes clearing piles of laundry in front of the washer.

## WARNING



### Explosion Hazard

Keep flammable materials and vapors, such as gasoline, away from dryer.

Place dryer at least 18 inches (460 mm) above the floor for a garage installation.

Failure to do so can result in death, explosion, or fire.

## WASHER CARE

### Recommendations to Help Keep Your Washer Clean and Performing at Its Best

1. Always use High Efficiency (HE) detergents and follow the HE detergent manufacturer's instructions regarding the amount of HE detergent to use. Never use more than the recommended amount because that may increase the rate at which detergent and soil residue accumulate inside your washer which, in turn, may result in undesirable odor.
2. Use warm or hot water washes sometimes (not exclusively cold water washes) because they do a better job of controlling the rate at which soils and detergent accumulate.
3. Always leave the washer door slightly ajar between uses to help dry out the washer and avoid the buildup of odor-causing residue.
4. Periodically clean residue from all interior surfaces of the window. For better care, wipe the entire inside of the door with a damp cloth.

### Cleaning Your Front Loading Washer

Read these instructions completely before beginning the routine cleaning processes recommended below. This washer maintenance procedure should be performed, at a minimum, once per month or every 30 wash cycles, whichever occurs sooner, to control the rate at which soils and detergent may otherwise accumulate in your washer.

### Cleaning the Door Seal

1. Open the washer door and remove any clothing or items from the washer.
2. Inspect the gray-colored seal between the door opening and the drum for stained areas, soil buildup, or lint. Pull back the seal to inspect all areas under the seal and to check for foreign objects or lint.

## WASHER CARE (cont.)

3. If stained areas, soil buildup, or lint are found, wipe down these areas of the seal using either of the following two procedures:

### a. affresh® Machine Cleaning Wipes Procedure:

- i. When the cycle is complete, gently pull back the rubber door seal and clean the entire surface with the textured side of an affresh® Machine Cleaning Wipe.

### b. Dilute Liquid Chlorine Bleach Procedure:

- i. Mix a dilute bleach solution, using 3/4 cup (177 mL) of liquid chlorine bleach and 1 gallon (3.8 L) of warm tap water.
- ii. Wipe the seal area with the dilute solution, using a damp cloth.
- iii. Let stand 5 minutes.
- iv. Wipe down area thoroughly with a dry cloth and let washer interior air dry with door open.

### IMPORTANT:

- Wear rubber gloves when cleaning with bleach.
- Refer to the bleach manufacturer's instructions for proper use.

### Cleaning the Inside of the Washer

This washer has a special cycle that uses higher water volumes in combination with affresh® Washer Cleaner or regular liquid chlorine bleach to thoroughly clean the inside of the washer. Steam washer models also utilize steam to enhance cleaning in this special cycle.

**IMPORTANT:** Do not use thickened, easy-pour, or no-splash bleach when running the Clean Washer with affresh® cycle as excess suds may occur.

**NOTE:** Read these instructions completely before beginning the cleaning process.

### Begin procedure

#### 1. Clean Washer with affresh® Cycle Procedure (Recommended for best performance):

- a. Open the washer door and remove any clothing or items.
- b. Use an affresh® Machine Cleaning Wipe or a soft, damp cloth or sponge to clean the inside door window.
- c. Add an affresh® Washer Cleaner tablet to the washer drum.
- d. Do not add the affresh® Washer Cleaner tablet to the dispenser drawer.
- e. Do not add any detergent or other chemical to the washer when following this procedure.
- f. Close the washer door.
- g. Select the Clean Washer with affresh® cycle.
- h. Select the FanFresh® option to help dry the washer interior after the cycle is complete.

**NOTE:** The washer remembers your last option selection and will use it for future wash cycles until you deselect that option.

- i. Touch and hold START/PAUSE button to begin the cycle. The Clean Washer with affresh® Cycle operation is described below.

## WASHER CARE (cont.)

### 2. Chlorine Bleach Procedure:

- a. Open the washer door and remove any clothing or items.
- b. Open the single-load dispenser drawer and add regular liquid chlorine bleach to the MAX level in both the bleach compartment and the fabric softener compartment. Either traditional or HE chlorine bleach can be used.

**IMPORTANT:** Do not use thickened, easy-pour, or no-splash bleach as excess suds may occur.

**NOTE:** Use of more liquid chlorine bleach than is recommended above could cause washer damage over time.

- c. Close the washer door and the dispenser drawer.
- d. Do not add any detergent or other chemicals to the washer when following this procedure.
- e. Select the Clean Washer with affresh® cycle.
- f. Select the FanFresh® option to help dry the washer interior after the cycle is complete.

**NOTE:** The washer remembers your last option selection and will use it for future wash cycles until you deselect that option.

- g. Touch and hold START/PAUSE to begin the cycle. The Clean Washer with affresh® cycle operation is described below.

**NOTE:** For best results, do not interrupt cycle.

#### Description of Clean Washer with affresh® Cycle Operation:

1. The Clean Washer with affresh® cycle will determine whether clothing or other items are in the washer.
2. If no items are detected in the washer, it will proceed with the cycle.
  - a. If any items are detected in the washer, “rL” (remove load) will be displayed. The door will unlock. Open washer and remove any garments from the washer drum.
  - b. Touch POWER to clear the “rL” code.
  - c. Touch and hold START/PAUSE to restart the cycle.
3. **Steam models only:** During the first 20 minutes of the cycle, it will activate the steamer but the drum will not spin or fill with water. You may see condensation on the door window during this initial phase. If you are using an affresh® Washer Cleaner tablet, it will not dissolve completely during the steam phase. This is normal.

After the cycle is complete, leave the door open slightly to allow for better ventilation and drying of the washer interior.

## WASHER CARE (cont.)

### Cleaning the Dispensers

After using the Clean Washer with affresh® cycle, you may find some residue buildup in the washer's dispensers.

To remove residue from the single-load dispenser, remove the drawer and wipe the surfaces with an affresh® Machine Cleaning Wipe or a damp cloth and towel dry either before or after you run the Clean Washer with affresh® cycle. Use an all-purpose surface cleaner, if needed.

To remove residue from the Load & Go™ dispenser, lift the handle on the dispenser housing and pull to remove it from the washer cabinet; then rinse the dispenser thoroughly with running water. Wipe the outside dispenser surface with an affresh® Machine Cleaning Wipe or a damp cloth, and towel dry. Use an all-purpose surface cleaner, if needed.

Replace the dispenser in the washer cabinet and make sure that it is correctly seated.

**IMPORTANT:** Dispensers are not dishwasher safe.

### Cleaning the Outside of the Washer

Use an affresh® Machine Cleaning Wipe or a soft, damp cloth or sponge to wipe up any spills. Occasionally wipe the outside of your washer to help keep it looking new. Use an affresh® Machine Cleaning Wipe or mild soap and water.

**IMPORTANT:** To avoid damaging the washer's finish, do not use abrasive products.

## CLEAN WASHER CYCLE REMINDER

The Clean Washer with affresh® message will flash at the end of a wash cycle when the washer has run 30 wash cycles. This is a reminder to run the Clean Washer with affresh® cycle.

If the Clean Washer with affresh® cycle is not run, the message will stop flashing at the end of a wash cycle after running three more regular wash cycles. After 30 more wash cycles are completed, the Clean Washer with affresh® message will again flash at the end of a wash cycle as a reminder.

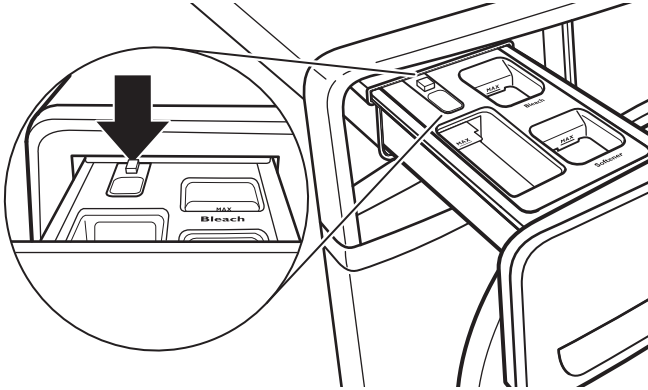
## REMOVING THE DISPENSER (cont.)

### Single-Load Dispenser Drawer

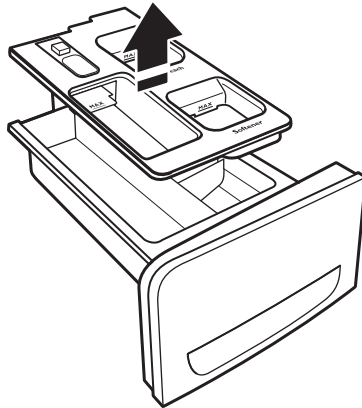
#### Removing the Dispenser

##### To remove:

1. Pull dispenser drawer out until it stops.
2. Press down on the release tab and pull straight out to remove the dispenser.

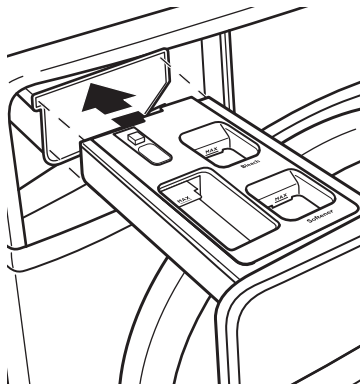


3. Lift off cover panel by pulling straight up.



##### To replace:

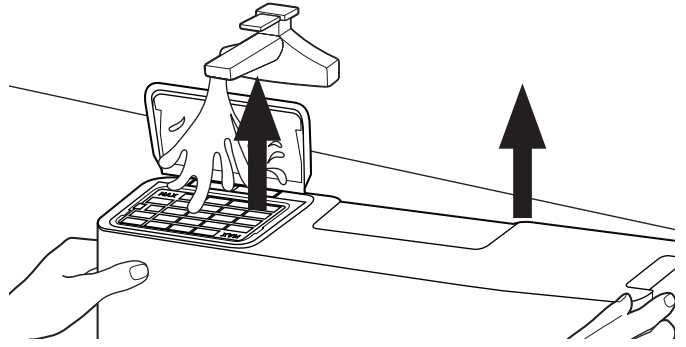
1. Position cover panel back onto posts on dispenser. Apply slight pressure on cover panel to seat it.
2. Align edges of dispenser with guides in washer; then slide dispenser back into slot.



## CLEANING LOAD & GO™ CONTAINERS

It is recommended that you rinse out the Load & Go™ containers when refilling, when changing detergent types or concentrations, or when the washer will not be used for an extended period.

1. Pull the dispenser drawer out until it stops.
2. Lift out the Load & Go™ containers.
3. Lift the fill lid and flush interior thoroughly with warm water.



4. Allow to air dry.

**IMPORTANT:** Containers are not dishwasher safe.

## WATER INLET HOSES

Replace inlet hoses after five years of use to reduce the risk of hose failure. Periodically inspect and replace inlet hoses if bulges, kinks, cuts, wear, or leaks are found.

When replacing your inlet hoses:

Mark the date of replacement on the label with a permanent marker.

Check that the old washers are not stuck on the washer inlet valves.

Use new washers in the new inlet hoses to ensure a proper seal.

## NON-USE AND VACATION CARE

If moving, or not using your washer for a period of time, follow these steps:

1. Unplug or disconnect power to washer.
2. Turn off water supply to washer to avoid flooding due to water pressure surges.

**HELPFUL TIP:** Attach a reminder note to the washer to turn the water back on before washer's next use.

3. Clean the dispensers. See "Cleaning the Dispensers."

## WINTER STORAGE CARE

**IMPORTANT:** To avoid damage, install and store washer where it will not freeze. Because some water may stay in hoses, freezing can damage washer. If storing or moving during freezing weather, winterize your washer.

**To winterize washer:**

1. Shut off water faucet. Disconnect and drain water inlet hose.

**HELPFUL TIP:** Attach a reminder note to the washer to turn the water back on before washer's next use.

2. Remove drain pump filter.
3. Put 1 qt. (1 L) of R.V.-type antifreeze in drum and run washer on Normal cycle for about 2 minutes to mix antifreeze and remaining water.
4. Unplug washer or disconnect power.

## TRANSPORTING YOUR WASHER

1. Shut off water faucet. Disconnect and drain water inlet hose.
2. If washer will be moved during freezing weather, follow "Winter Storage Care" directions before moving.
3. Disconnect drain hose from drain system and from back of washer.
4. Unplug power cord.
5. Place inlet hoses and drain hose inside drum.
6. Bundle power cord with a rubber band or cable tie to keep it from hanging to the ground.

**IMPORTANT:** Call for service to install new transport bolts. Do not reuse transport bolts. Washer must be transported in the upright position. To avoid structural damage to your washer, it must be properly set up for relocation by a certified technician.

## ⚠️ WARNING



### Electrical Shock Hazard

**Plug into a grounded 3 prong outlet.**

**Do not remove ground prong.**

**Do not use an adapter.**

**Do not use an extension cord.**

**Failure to follow these instructions can result in death, fire, or electrical shock.**

## REINSTALLING/USING WASHER AGAIN

To reinstall washer after non-use, vacation, winter storage, or moving:

1. Refer to the Installation Instructions to locate, level, and connect washer.
2. Before using again, run washer through the following recommended procedure:

**To use washer again:**

1. Flush water pipes and hoses. Reconnect water inlet hoses. Turn on water faucets.
2. Plug in washer or reconnect power.
3. Run washer through Heavy Duty cycle to clean washer and remove antifreeze, if used. Use only HE detergent. Use half the manufacturer's recommended amount for a medium-size load.

## ⚠ WARNING



### Electrical Shock Hazard

Disconnect power before cleaning.

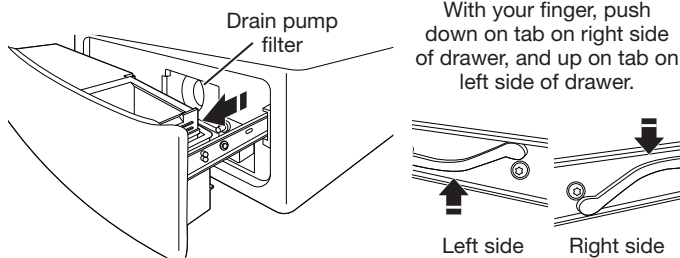
Replace all parts and panels before operating.

Failure to do so can result in death or electrical shock.

## CLEANING THE DRAIN PUMP FILTER/ DRAINING RESIDUAL WATER

**NOTE:** Perform the following procedure occasionally.

1. Open the dispenser drawer by pulling on the handle at the base of the washer. This will reveal the drain pump filter. Remove the drawer by releasing the tab on each side.

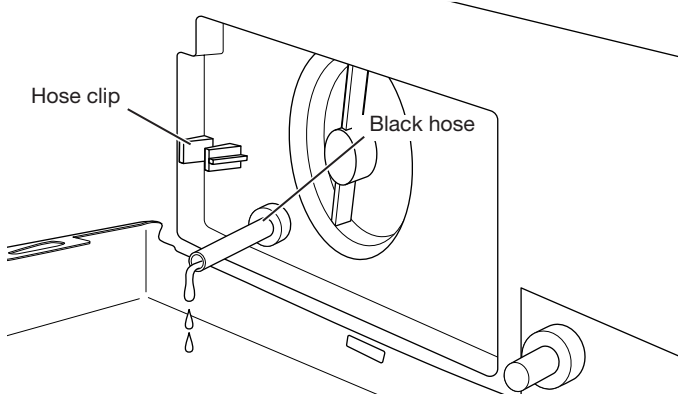


With your finger, push down on tab on right side of drawer, and up on tab on left side of drawer.

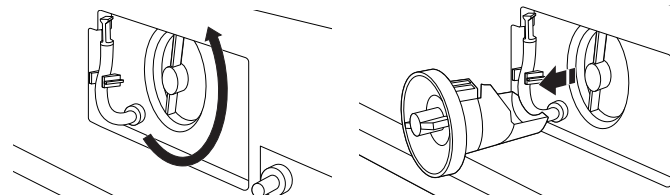
Left side Right side

2. Place a broad, flat container beneath the drain pump filter to collect the drain water. Release the black hose from the hose clip, remove the plug, and drain the hose into the container. Empty the container. Repeat this procedure if necessary until all the water has drained. Make sure that the black hose is completely dry, replace the plug, and secure the hose in the clip.

**NOTE:** If water does not drain well, push in hose slightly to remove any possible kinks.

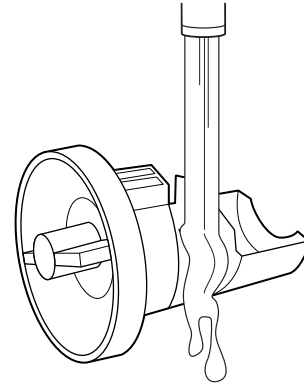


3. Lay a cotton cloth beneath the drain pump filter to absorb any water still in it. Then remove the drain pump filter by turning it counterclockwise.

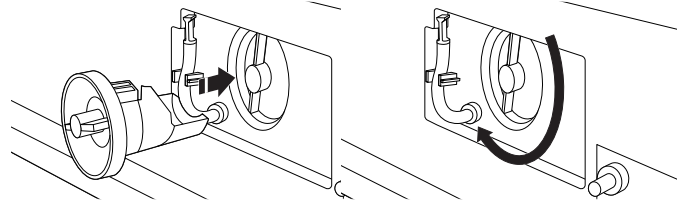


## CLEANING THE DRAIN PUMP FILTER/ DRAINING RESIDUAL WATER (cont.)

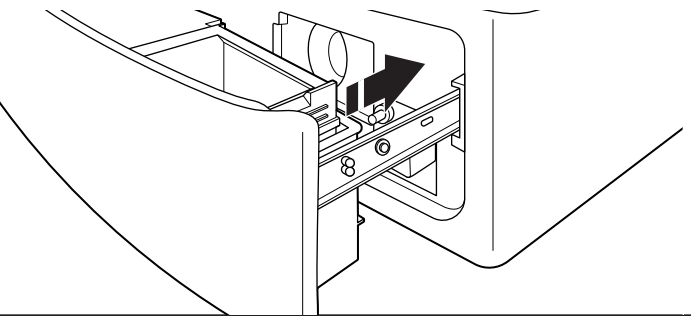
4. Remove large clumps of lint by hand from the filter and place lint in a suitable waste container. Remove remaining residue from the filter by rinsing with water.



5. Reinsert the drain pump filter by turning it clockwise. Make sure to turn it in as far as it will go, with the filter handle remaining as close as possible to the vertical position.

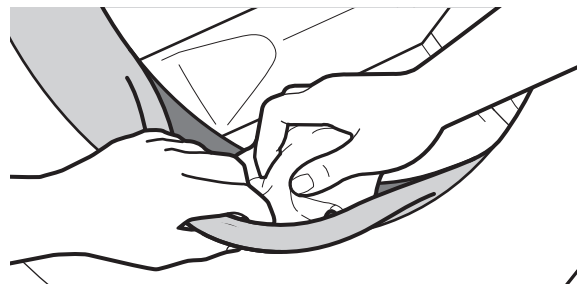


6. Replace and close the dispenser drawer. Make sure to insert both rails simultaneously when replacing the drawer. You will hear a clicking sound that indicates the rails have engaged. To ensure proper placement of the drawer, pull out fully. The drawer should be fully engaged and the rails locked in place. Make sure the drain hose is secured in the hose clip and tucked underneath the cutout.



## ADDITIONAL CLEANING

Gently pull back the rubber door seal and clean any stained areas, soil buildup, or lint with the textured side of an affresh® Machine Cleaning Wipe.





## Internet Connectivity Guide

### Get the App and Get Connected

With your mobile device, get the app, connectivity setup instructions, terms of use, and privacy policy at:  
[www.whirlpool.com/connect](http://www.whirlpool.com/connect)

In Canada, visit  
[www.whirlpool.ca/connect](http://www.whirlpool.ca/connect)

**IMPORTANT:** Proper installation of your appliance prior to use is your responsibility. Be sure to read and follow the Installation Instructions that came with your appliance.

Connectivity requires Wi-Fi and account creation. App features and functionality subject to change. Data rates may apply. If you have any problems or questions, call Whirlpool Corporation Connected Appliances at **1-866-333-4591**.

#### You Will Need:



- A home wireless router supporting Wi-Fi, 2.4Ghz with WPA2 security. If you are unsure of your router's capabilities, refer to the router manufacturer's instructions.
- The router to be on and have a live internet connection.
- The 10-character Smart Appliance ID (SAID) code for your appliance. The SAID code is either printed on a label on the appliance or can be found on the LCD screen. Refer to the appliance Use and Care Guide for the location.

Once installed, launch the app. You will be guided through the steps to set up a user account and to connect your appliance. If you have any problems or questions, call Whirlpool Corporation Connected Appliances at **1-866-333-4591**.

# TROUBLESHOOTING

First try the solutions suggested here or visit our website at [www.whirlpool.com/owners](http://www.whirlpool.com/owners) (in Canada [www.whirlpool.ca/owners](http://www.whirlpool.ca/owners)) for assistance and to possibly avoid a service call.

If you experience	Possible Causes	Solution
<b>Vibration or Off-Balance</b>		
Vibration, rocking, or "walking"	Feet may not be in contact with the floor and locked.	Front and rear feet must be in firm contact with floor, and washer must be level to operate properly. Jam nuts must be tight against the bottom of the cabinet.
	Washer may not be level.	Check floor for flexing or sagging. If flooring is uneven, a 3/4" (19 mm) piece of plywood under your washer will reduce sound. Do not install washer on a raised wooden platform. See "Level Washer" in Installation Instructions.
	Load could be unbalanced or too large.	Avoid tightly packing the load. Avoid washing single items. Balance a single item such as a rug or jean jacket with a few extra items.
	The shipping bolts are still in the back of the washer.	Item or load not suitable for selected cycle. See "Cycle Guide" and "Using the Washer." See "Unpacking Washer" in the Installation Instructions.
<b>Noises</b>		
Clicking or metallic noises	Door locking or unlocking.	After starting a cycle the drum will make a partial turn and the door will lock. The door will remain locked until the end of cycle. This is normal.
	Objects caught in wash drain system.	Empty pockets before washing. Loose items such as coins could fall between washer drum and tub or may block pump. It may be necessary to call for service to remove items. It is normal to hear metal items on clothing such as metal snaps, buckles, or zippers touch against the stainless steel drum.
Gurgling or humming	Washer may be draining water.	The pump may make a humming sound with periodic gurgling or surging as final amounts of water are removed during the spin/drain cycles. This is normal at certain stages of the cycle.
<b>Water Leaks</b>		
Check the following for proper installation	Fill hoses not attached tightly.	Tighten fill hose connection.
	Fill hose washers.	Properly seat fill hose flat washers.
	Drain hose connections.	Check that the drain hose is properly secured to drain pipe or laundry tub.
	Drain pump filter is not properly seated.	Make sure filter is correctly placed in the housing. See "Cleaning the Drain Pump Filter/Draining Residual Water."
	Drain pump filter is clogged/drain pump filter hose plug is off or loose.	Clean the drain pump filter (see "Cleaning the Drain Pump Filter/Draining Residual Water"). Make sure drain pump filter hose plug is fully seated. If loose, order a replacement plug (see "Assistance or Service").
	Check household plumbing for leaks or clogged sink or drain.	Water can back up out of a clogged sink or drain pipe. Check all household plumbing for leaks (laundry tubs, drain pipe, water pipes, and faucet.)
	Strainer (or nylon stocking) on end of drain hose is clogged.	Remove strainer/stocking from drain hose.

# TROUBLESHOOTING

First try the solutions suggested here or visit our website at [www.whirlpool.com/owners](http://www.whirlpool.com/owners)  
(in Canada [www.whirlpool.ca/owners](http://www.whirlpool.ca/owners)) for assistance and to possibly avoid a service call.

If you experience	Possible Causes	Solution
<b>Water Leaks (cont.)</b>		
Water or suds leaking from door or rear of cabinet	Not using HE detergent or using too much HE detergent.	Only use HE detergent. Suds from regular detergents can cause leaking from the door or rear of cabinet. Always measure detergent and follow manufacturer's directions based on your load requirements.
	Using thickened, easy-pour, or no-splash bleach when running the Clean Washer with affresh® cycle.	Use affresh® tablet or regular, non-thickened chlorine bleach when running the Clean Washer with affresh® cycle.
	Residue on door window.	Periodically clean the underside of the window to avoid potential leaks.
Leaking around door	Hair, lint, or other debris on inner door window preventing proper seal with rubber door seal.	Clean inner door window and seal. See "Cleaning the Door Seal" in the "Washer Maintenance" section.
<b>Wash Cycle Not Performing As Expected</b>		
Load not completely covered in water	Water level not visible on door or does not cover clothes.	This is normal for the washer. The washer senses load sizes and adds the correct amount of water for optimal cleaning.
Washer won't run or fill; washer stops working	Check for proper water supply.	Both hoses must be attached and have water flowing to the inlet valves.
		Both hot and cold water faucets must be turned on.
		Check that inlet valve screens have not become clogged.
		Check for any kinks in inlet hose, which can restrict water flow.

## ⚠ WARNING



### Electrical Shock Hazard

**Plug into a grounded 3 prong outlet.**

**Do not remove ground prong.**

**Do not use an adapter.**

**Do not use an extension cord.**

**Failure to follow these instructions can result in death, fire, or electrical shock.**

Washer won't run or fill; washer stops working (cont.)	Check proper electrical supply.	Plug power cord into a grounded 3 prong outlet.
		Do not use an extension cord.
		Ensure there is power to outlet.
		Do not plug into a GFCI (Ground Fault Circuit Interrupter).
		Check electrical source or call an electrician to check if voltage is low.
		Reset a tripped circuit breaker. Replace any blown fuses. <b>NOTE:</b> If problems continue, contact an electrician.



# TROUBLESHOOTING

First try the solutions suggested here or visit our website at [www.whirlpool.com/owners](http://www.whirlpool.com/owners)  
(in Canada [www.whirlpool.ca/owners](http://www.whirlpool.ca/owners)) for assistance and to possibly avoid a service call.

If you experience	Possible Causes	Solution
<b>Wash Cycle Not Performing As Expected (cont.)</b>		
Washer won't run or fill; washer stops working (cont.)	The load size is being sensed.	After the load size is sensed, the estimated time based on load size will be displayed and water will be added.
	Normal washer operation.	Washer will pause during certain phases of cycle. Do not interrupt cycle.
		The washer pauses for about 2 minutes during certain cycles. Allow the cycle to continue. Some cycles feature periods of tumbling and soak.
		Washer may be stopped to reduce suds. Use only a proper amount of HE detergent.
	The washer door is not firmly shut.	The door must be closed during operation.
	The Load & Go™ bulk dispenser is not fully seated in the washer.	Make sure that the Load & Go™ bulk dispenser is fully seated in the washer, and that the lid on the bulk dispenser is firmly closed.
	Washer not loaded as recommended.	Remove several items, rearrange load evenly in washer drum. Close door and touch the START/PAUSE button.
		Do not add more than one or two additional items after cycle has started to avoid tightly packing or unbalancing. Adding items is only allowed up to a certain point in the cycle.
Do not add more water to the washer.		
Not using HE detergent or using too much HE detergent.	Only use HE detergent. Suds from regular detergents can slow or stop the washer. Always measure detergent, following manufacturer's directions based on your load requirements.	
	To remove suds, cancel cycle. Select Rinse & Spin. Touch the START/PAUSE button. Do not add more detergent.	
	Make sure the Load & Go™ bulk dispenser is disabled if you are using a single dose of detergent.	
Washer stops during the program/cycle and a message appears on the screen	The program/cycle was interrupted (for example by the door being opened).	Make sure the door is closed. Touch the START/PAUSE button to continue with the program/cycle.
	The safety system has been activated. A failure indicator will light up and/or the display will show a failure code.	Refer to error codes at the end of "Troubleshooting."
	Water faucets are closed.	Make sure both hot and cold water faucets are open and that there are no kinks in the inlet hoses.
Washer not draining/spinning; loads are still wet	Drain hose extends into standpipe further than 4.5" (114 mm).	Check drain hose for proper installation. Use drain hose form and securely attach to drain pipe or tub. Do not tape over drain opening.
	The drain hose is clogged, or the end of the drain hose is more than 49" (1.3 m) above the floor.	Lower drain hose if the end is higher than 49" (1.3 m) above the floor. Remove any clogs from drain hose. See "Installation Requirements" in the Installation Instructions.
	Strainer/stocking on end of drain hose.	Remove strainer/stocking from drain hose.
	The drain hose fits too tightly in the standpipe or is taped to the standpipe.	The drain hose should be loose, yet fit securely. Do not seal the drain hose with tape. The hose needs an air gap. See "Route Drain Hose" in the Installation Instructions.

# TROUBLESHOOTING

First try the solutions suggested here or visit our website at [www.whirlpool.com/owners](http://www.whirlpool.com/owners)  
(in Canada [www.whirlpool.ca/owners](http://www.whirlpool.ca/owners)) for assistance and to possibly avoid a service call.

If you experience	Possible Causes	Solution
<b>Wash Cycle Not Performing As Expected (cont.)</b>		
Washer not draining/spinning; loads are still wet (cont.)	Using cycles with a lower spin speed.	Cycles with lower spin speeds remove less water than cycles with high spin speeds. Use the recommended cycle/spin speed for your garment.
	Washer not loaded as recommended.	A tightly packed or unbalanced load may not allow the washer to spin correctly, leaving the load wetter than normal. See "Cycle Guide" for load size recommendation.
	An unbalanced load prevented the Spin cycle from activating to avoid damage to the washer.	To spin wet laundry, add more laundry items of different sizes and start the Rinse & Spin program. Avoid small laundry loads consisting of a few large, absorbent items and wash different-sized items in one load. Avoid washing single items.
	Not using HE detergent or using too much HE detergent.	Use only HE detergent. Suds from regular detergent or using too much detergent can slow or stop draining or spinning. Always measure and follow manufacturer's directions for your load. To remove extra suds, select Rinse & Spin. Do not add detergent.
	Small items may have been caught in the pump or stuck between the washer drum and the outer tub.	Check the drum for any items sticking through the drum holes. Empty pockets and use garment bags when washing small items.
	Drain pump filter is dirty.	Clean drain pump filter. See "Cleaning the Drain Pump Filter/Draining Residual Water."
	Wash cycle has been canceled and door opened before water has drained.	Run Drain & Spin to remove any excess water.
Washer is spinning clothes without water	The washer is measuring the mass of the dry load.	This measurement is normal and ensures the best cycle time for your load.
Door locked at end of wash cycle	Water remaining in washer after cycle.	Select Drain & Spin to remove any water remaining in the washer. The door will unlock at the end of the drain.
Door will not unlock	Error code is displayed.	Failure mode will lock the door. Touch the START/PAUSE button to exit, then wait for the door to unlock.
	Water temperature is hotter than 104°F (40°C).	Wait for the water temperature to drop.
	Door lock mechanism malfunction.	Perform procedure in "How to Manually Open Door."
Incorrect or wrong wash temperatures	Check for proper water supply.	Make sure hot and cold inlet hoses are not reversed.
		Both inlet hoses must be attached to both washer and faucet, and have both hot and cold water flowing to inlet valves.
		Check that inlet valve screens are not clogged.
	Remove any kinks in hoses.	
Washing many loads.		Your hot water tank may not have enough hot water to keep up with the number of hot or warm washes. This is normal.

# TROUBLESHOOTING

First try the solutions suggested here or visit our website at [www.whirlpool.com/owners](http://www.whirlpool.com/owners)  
(in Canada [www.whirlpool.ca/owners](http://www.whirlpool.ca/owners)) for assistance and to possibly avoid a service call.

If you experience	Possible Causes	Solution
<b>Wash Cycle Not Performing As Expected (cont.)</b>		
Load not rinsed	Improper water supply connection.	Make sure hot and cold inlet hoses are not reversed.
		Both hoses must be attached and have water flowing to the inlet valve.
		Both hot and cold water faucets must be on.
		Inlet valve screens on washer may be clogged.
		Remove any kinks in the inlet hoses.
	Not using HE detergent or using too much HE detergent.	The suds from non-HE detergent can cause the washer to operate incorrectly.
		Use only HE detergent. Always measure detergent and follow manufacturer's directions based on load size and soil level.
	Washer not loaded as recommended.	Avoid tightly packing the washer. The washer will not rinse well if tightly packed. Load with dry items only. See "Cycle Guide" for load size recommendation.
		Use cycle designed for the fabrics being washed.
		Add only one or two garments after washer has started.
The load may be out of balance.	When load imbalance occurs, a washing process will start to redistribute the load. This may lengthen the cycle time. Avoid washing single items. Balance a single item, such as a rug or jeans jacket, with a few extra items.	
The load needs additional rinses.	Most cycles allow for the option of additional rinses. See "Cycle Guide" and Step 11 in "Using the Washer" for additional rinse options.	
Load is wrinkled, twisted, or tangled	Washer not loaded as recommended.	Add load loosely. Items need to move freely to reduce wrinkling and tangling. See "Cycle Guide" for load size recommendation.
		Reduce tangling by mixing types of load items. Use the recommended cycle for the type of garments being washed.
	Spin speed too high for load.	Select a lower spin speed. Note that items will be wetter than when using a higher spin speed.
	The washer is not unloaded promptly.	Unload the washer as soon as it stops or use the FanFresh® option if you will not be able to unload the washer at the end of the cycle.
	Not choosing the right cycle for the load being washed.	Choose the "Delicates" What to Wash cycle selection or another cycle selection with a low spin speed to reduce wrinkling.
Not cleaning or removing stains	Washer not loaded as recommended.	Add load loosely. Items need to move freely for best cleaning. See "Cycle Guide" for load size recommendation.
		Add only one or two garments after washer has started.
	Not using HE detergent or using too much HE detergent.	Use only HE detergent. Always measure detergent and follow manufacturer's directions based on load size and soil level.
	Hard water or high level of iron (rust) in water.	You may need to install a water softener and/or iron filter.
	Fabric softener dispensing ball used.	Dispensing balls will not operate correctly with this washer. Add liquid fabric softener to the fabric softener compartment.
Powdered detergent used for low-speed cycle.	Consider using liquid detergent.	

# TROUBLESHOOTING

First try the solutions suggested here or visit our website at [www.whirlpool.com/owners](http://www.whirlpool.com/owners)  
(in Canada [www.whirlpool.ca/owners](http://www.whirlpool.ca/owners)) for assistance and to possibly avoid a service call.

If you experience	Possible Causes	Solution
<b>Wash Cycle Not Performing As Expected (cont.)</b>		
Not cleaning or removing stains (cont.)	Not using correct cycle for fabric type.	Use a warmer wash temperature to improve cleaning.
		If using a What to Wash cycle selection paired with the “Quick” How to Wash cycle selection, wash only a few items.
		Use the “Heavy Duty” How to Wash cycle selection for tough cleaning.
		Add an extra rinse for heavily soiled loads.
	Not using dispensers/dispensers not loaded properly.	Use dispensers to avoid chlorine bleach and fabric softener staining.
		Load dispensers before starting a cycle.
		Make sure that the Load & Go™ bulk dispenser liquid detergent dispenser is not empty.
		Avoid overfilling.
Dispense cartridge is empty.	Fill dispense cartridge to the “MAX” line with HE liquid detergent.	
Not washing like colors together.	Wash like colors together and remove promptly after the cycle is complete to avoid dye transfer.	
Not enough detergent used, or hard water.	Use more detergent for washing heavy soils in cold or hard water.	
Odors	Monthly maintenance not done as recommended.	Run the Clean Washer with affresh® cycle monthly or every 30 wash cycles. See “Washer Care” in “Washer Maintenance.”
		Unload washer as soon as cycle is complete. Use the FanFresh® option if load cannot be removed immediately after the wash is complete.
	Not using HE detergent or using too much HE detergent.	Use only HE detergent. Be sure to measure correctly. Always follow the manufacturer’s directions. See the “Using the Washer” section.
	Door not left open after use.	This washer has a tight seal to avoid water leaks. To avoid odors, leave the door open to allow the washer to dry between uses.
Fabric damage	Sharp items were in pockets during wash cycle.	Empty pockets, zip zippers, and snap or hook fasteners before washing to avoid snags and tears.
	Strings and straps could have tangled.	Tie all strings and straps before starting wash load.
	Items may have been damaged before washing.	Mend rips and broken threads in seams before washing.
	Fabric damage can occur if washer is tightly packed.	Avoid tightly packing the washer. Load with dry items only.
		Use cycle designed for the fabrics being washed.
		Add only one or two garments after washer has started.
	Fabric damage can occur if washer door is closed on an item, trapping it between the door window and the rubber seal.	Do not overfill the washer.
		Push wash load fully into the washer.
	Liquid chlorine bleach may have been added incorrectly.	Do not pour liquid chlorine bleach directly onto load. Wipe up bleach spills.
		Undiluted bleach will damage fabrics. Do not use more than recommended by manufacturer.

# TROUBLESHOOTING

First try the solutions suggested here or visit our website at [www.whirlpool.com/owners](http://www.whirlpool.com/owners) (in Canada [www.whirlpool.ca/owners](http://www.whirlpool.ca/owners)) for assistance and to possibly avoid a service call.

If you experience	Possible Causes	Solution
<b>Wash Cycle Not Performing As Expected (cont.)</b>		
Gray whites, dingy colors	Load not sorted properly.	The transfer of dye can occur when mixing whites and colors in a load. Sort dark clothes from whites and lights.
	Wash temperatures too low.	Use hot or warm temperatures if safe for the load. Make sure your hot water system is adequate to provide a hot water wash.
	Not enough detergent used, or hard water.	Use more detergent for washing heavy soils in cold or hard water.
Incorrect dispenser operation	Clogged dispensers or laundry products dispensing too soon.	Do not overfill dispenser. Overfilling causes immediate dispensing.
		Load dispensers before starting a cycle.
		Homes with low water pressure may result in residual powder in the dispenser. To avoid, select a warmer wash temperature if possible, depending on your load.
	Liquid chlorine bleach not used in bleach compartment.	Use only liquid chlorine bleach in the bleach compartment.
	Water in dispenser after cycle has finished.	It is normal for small amounts of water to remain in dispenser at the end of the cycle.
Single-dose laundry packet not dissolving	Adding laundry packet incorrectly.	Be sure laundry packet is added to washer drum before adding clothes. Do not add packet to dispenser. Follow the manufacturer's instructions to avoid damage to your garments.
Cycle time changes or cycle time too long	Normal washer operation.	The cycle times vary automatically based on your water pressure, water temperature, detergent, and clothes load. The options you select will also affect the cycle times.
	Excessive suds in washer.	When excessive suds are detected, a special suds routine automatically starts to remove extra suds and ensure proper rinsing of your garments. This routine will add time to the original cycle.
	Load may be out of balance.	When load unbalance occurs, a washing process will start to redistribute the load. This extends the cycle time. Avoid washing single items. Balance a single item, such as a rug or jeans jacket, with a few extra items.
	Not using correct cycle for load type.	A What to Wash cycle selection paired with a "Quick" How to Wash cycle selection is designed for smaller load sizes (2-4 items) of lightly soiled garments.
When using a What to Wash cycle selection paired with the "Quick" or "Delicates" How to Wash cycle selections, you should wash small loads. This ensures a gentle wash for your garments without increasing cycle times.		

# TROUBLESHOOTING

First try the solutions suggested here or visit our website at [www.whirlpool.com/owners](http://www.whirlpool.com/owners) (in Canada [www.whirlpool.ca/owners](http://www.whirlpool.ca/owners)) for assistance and to possibly avoid a service call.

If you experience	Possible Causes	Solution
<b>Drying Operation</b>		
Drying cycle will not run	Door not closed completely.	Make sure the washer door is closed completely.
	Start/Pause button not touched firmly.	Touch the START/PAUSE button firmly.
	Drain pump filter not in place or clogged.	Clean the drain pump filter. See "Cleaning the Drain Pump Filter/ Draining Residual Water." Place drain pump filter back in washer and make sure it is properly seated.
	Household fuse is blown or circuit breaker has tripped.	There may be two household fuses or circuit breakers for the washer. Check that both fuses are intact and tight, or that both circuit breakers have not tripped. Replace the fuses or reset the circuit breaker. If the problem continues, call an electrician.
	Incorrect power supply.	Electric dryers require 240 V power supply. Check with a qualified electrician.
	Wrong type of fuse.	Use a time-delay fuse.
	Water supply to washer not connected and turned on.	Connect the water supply to the washer and turn it on. The drying cycle will not run unless the water supply is connected and turned on.
	Dry cycle not selected.	Select drying function (see Step 10 in "Using Your Washer").
<b>Unusual Noise</b>		
Rattling or vibrating noise	A small object caught between the edges of drum.	Check the front and rear edges of the drum for small objects. Clean out pockets before laundering.
	Washer isn't properly leveled.	The washer may vibrate if not properly installed. See Installation Instructions. All four washer feet should be in firm contact with the floor.
	Clothing is balled up in washer.	When balled up, the load will bounce, causing the washer to vibrate. Separate the load items and restart the washer.
Loud humming or increased noise during cycle	Load is packed tightly.	Loading drum half full or less will improve drying performance.
<b>Drying Results</b>		
Clothes are not drying satisfactorily or drying times are too long	The load is too large and heavy to dry quickly.	Separate the load to tumble freely. Loading drum half full or less will improve drying performance and cycle time. Run a high-speed spin cycle.
Lint on load	Area under door seal is clogged with lint.	Gently pull back the rubber door seal and clean lint with the textured side of an affresh® Machine Cleaning Wipe.
	Drain pump filter is clogged with lint.	Clean the drain pump filter. See "Cleaning the Drain Pump Filter/ Draining Residual Water." This procedure should be performed occasionally.
Dried loads are wrinkled	The load was not removed from washer at the end of the drying cycle.	Remove garments promptly at the end of the drying cycle, or use the Wrinkle Shield™ option (see "Using Your Washer").
	The washer was tightly packed.	Dry smaller loads that can tumble freely. Loading drum half full or less will improve drying performance and cycle time. Results may also vary depending on fabric type.
Load too hot	Load removed before cool-down portion of cycle is complete.	Allow the drying cycle to complete the cool-down portion of the cycle before removing the load. If you cancel the cycle before the cool-down portion of the cycle and immediately remove the load, it will be very hot.

# TROUBLESHOOTING

First try the solutions suggested here or visit our website at [www.whirlpool.com/owners](http://www.whirlpool.com/owners) (in Canada [www.whirlpool.ca/owners](http://www.whirlpool.ca/owners)) for assistance and to possibly avoid a service call.

If you experience	Possible Causes	Solution
<b>Error Code Appears in Display</b>		
Once any possible issues are corrected, touch the POWER button once to clear the code. Reselect and restart the cycle.		
F0E1 Load detected in Clean Washer with affresh® cycle	Items detected in the washer when running a Clean Washer with affresh® cycle.	Remove load and restart the Clean Washer with affresh® cycle.
F0E2 Oversuds detection	Excessive suds in washer. Washer is running a suds reduction routine. Allow the wash cycle to continue.	Use only HE detergent.
F0E5 (OB) Off balance load detected	Load could be unbalanced or too large.	Avoid tightly packing the washer. Avoid washing single items. Balance a single item with such as a rug or jeans with a few extra items.
F1E1 ACU memory corruption or hardware failure/ACU main relay cannot be opened or closed	Problem detected with the washer.	Try resetting the washer by unplugging it from the outlet and then plugging it back in. If unsuccessful, call for service.
F1E2 MCU memory corruption or hardware failure	Problem detected with the washer.	Try resetting the washer by unplugging it from the outlet and then plugging it back in. If unsuccessful, call for service.
F3E1 Analog pressure failure	Problem detected with the pressure sensor.	Try resetting the washer by unplugging it from the outlet and then plugging it back in. If unsuccessful, call for service.
F3E2 Wash NTC failure	Open circuit or short circuit fault detected.	Try resetting the washer by unplugging it from the outlet and then plugging it back in. If unsuccessful, call for service.
F3E5 Dry NTC failure	Open circuit or short circuit fault detected. The wash function is still operable, but the dry function will not operate.	Try resetting the washer by unplugging it from the outlet and then plugging it back in. If unsuccessful, call for service.
F3E6 Accelerometer failure	Accelerometer failed self test or experienced orientation error.	Try resetting the washer by unplugging it from the outlet and then plugging it back in. If unsuccessful, call for service.
F4E1 Water heater relay failure	Problem detected with the water heater. There is a water heater relay short error or feedback failure.	Try resetting the washer by unplugging it from the outlet and then plugging it back in. If unsuccessful, call for service.
F4E2 Wash heater relay circuit fault	Wash heater relay is detected as not closed.	Call for service
F4E4 Fan drive failure	Dry fan triac open circuit, short circuit, diode mode, or feedback KO fault detected.	Try resetting the washer by unplugging it from the outlet and then plugging it back in. If unsuccessful, call for service.
F5E1 Door switch failure	Problem detected with the door switch. Door is unlocked during a cycle when it should be locked.	Try resetting the washer by unplugging it from the outlet and then plugging it back in. If unsuccessful, call for service.
F5E2 Door cannot be locked	Problem detected with the door lock.	Try resetting the washer by unplugging it from the outlet and then plugging it back in. If unsuccessful, call for service.
F5E3 Door cannot be unlocked	Problem detected with the door lock.	Try resetting the washer by unplugging it from the outlet and then plugging it back in. If unsuccessful, call for service.
F5E4 (DR) Door not open between consecutive cycles	Door not open between consecutive cycles.	Open and close the door before restarting the cycle.

# TROUBLESHOOTING

First try the solutions suggested here or visit our website at [www.whirlpool.com/owners](http://www.whirlpool.com/owners) (in Canada [www.whirlpool.ca/owners](http://www.whirlpool.ca/owners)) for assistance and to possibly avoid a service call.

If you experience	Possible Causes	Solution
<b>Error Code Appears in Display (cont.)</b>		
Once any possible issues are corrected, touch the POWER button once to clear the code. Re-select and restart the cycle.		
F6E1 Communication lost with MCU	Communications problem between ACU and MCU.	Try resetting the washer by unplugging it from the outlet and then plugging it back in. If unsuccessful, call for service.
F6E2 Communication lost with ACU	Communication missing from ACU to HMI.	Try resetting the washer by unplugging it from the outlet and then plugging it back in. If unsuccessful, call for service.
F6E3 Communication lost with HMI	Communication missing from HMI to ACU.	Try resetting the washer by unplugging it from the outlet and then plugging it back in. If unsuccessful, call for service.
F7E2 Motor control over temperature or over current fault or motor drive/motor control driver/motor control DC bus failure	Problem detected with motor control over temperature or over current. Also possible MCI internal failure, motor error designed by MCU developer, or MCI DC bus under voltage.	Try resetting the washer by unplugging it from the outlet and then plugging it back in. If unsuccessful, call for service.
F7E8 Motor temperature max fault	Motor over temperature detected.	Try resetting the washer by unplugging it from the outlet and then plugging it back in. If unsuccessful, call for service.
F7E9 Locked rotor	MCI locked rotor detected.	Try resetting the washer by unplugging it from the outlet and then plugging it back in. If unsuccessful, call for service.
F7EA Lost phase fault	MCI motor lost phase detected.	Try resetting the washer by unplugging it from the outlet and then plugging it back in. If unsuccessful, call for service.
F7EC Overload fault	MCI motor overload detected.	Try resetting the washer by unplugging it from the outlet and then plugging it back in. If unsuccessful, call for service.
F8E1 No water flow detected/ fill timeout	Washer may not be connected to the home water supply. Home water supply valves may not be turned on. Inlet hoses to washer may be kinked. Inlet valves on washer may have failed.	Make sure that the washer is connected to the home cold water supply and that the home water supply valve is turned on. Verify that the inlet hose to the washer is not kinked. If problem persists, call for service.
F8E3 Overflow of water detected/overflow cannot drain	Inlet valves on washer are leaking internally and washer cannot drain during overflow.	Call for service.
F9E1 Drain timeout/ drain pump failure	Drain pump filter on washer may need to be cleaned. Bellow drain holes in washer may be obstructed. Washer drain hose or home drain system may be obstructed. Drain pump on washer may have failed.	Clean drain pump filter on washer. Check bellow drain holes in washer for obstructions. Check washer drain hose and home drain system for obstructions. If problem persists, call for service.
FCE1 Wi-Fi error	HMI cannot communicate with Wi-Fi module.	Call for service.



# Connected Appliance Regulatory Notices

## Federal Communications Commission (FCC) Compliance Notice

This equipment has been tested and found to comply with the limits for a Class B digital device, pursuant to Part 15 of the FCC Rules. These limits are designed to provide reasonable protection against harmful interference in a residential installation. This equipment generates, uses, and can radiate radio frequency energy and, if not installed and used in accordance with the instructions, may cause harmful interference to radio communications. However, there is no guarantee that interference will not occur in a particular installation. If this equipment does cause harmful interference to radio or television reception, which can be determined by turning the equipment off and on, the user is encouraged to try to correct the interference by one of the following measures:

- Reorient or relocate the receiving antenna.
- Increase the separation between the equipment and receiver.
- Connect the equipment into an outlet on a circuit different from that to which the receiver is connected.
- Consult the dealer or an experienced radio/TV technician for help.

This device complies with Part 15 of the FCC Rules. Operation is subject to the following two conditions:

1. This device may not cause harmful interference, and
2. This device must accept any interference received, including interference that may cause undesired operation.

Changes or modifications not expressly approved by the party responsible for compliance could void the user's authority to operate the equipment.

## RF Exposure Information

To comply with FCC/IC RF exposure requirements for mobile transmitting devices, this transmitter should only be used or installed at locations where there is at least 20 cm separation distance between the antenna and all persons.

To comply with FCC/IC RF exposure limits for general population/uncontrolled exposure, the antenna(s) used for this transmitter must be installed to provide a separation distance of at least 20 cm from all persons and must not be co-located or operating in conjunction with any other antenna or transmitter.

## Industry Canada (IC) Compliance Notice

This Device complies with Industry Canada License-exempt RSS standard(s). Operation is subject to the following two conditions:

1. This device may not cause interference,
2. This device must accept any interference, including interference that may cause undesired operation of the device.

Under Industry Canada regulations, this radio transmitter may only operate using an antenna of a type and maximum (or lesser) gain approved for the transmitter by Industry Canada. To reduce potential radio interference to other users, the antenna type and its gain should be so chosen that the equivalent isotropically radiated power (e.i.r.p.) is not more than that necessary for successful communication.

This radio transmitter IC: 10248A-XPWG3 has been approved by Industry Canada to operate with the antenna types listed below with the maximum permissible gain and required antenna impedance for each antenna type indicated. Antenna types not included in this list, having a gain greater than the maximum gain indicated for that type, are strictly prohibited for use with this device.

Antenna Type	Maximum Permissible Antenna Gain (dBi)	Required Impedance (OHM)
Slot	1.76	50

To comply with FCC and Industry Canada RF radiation exposure limits for general population, the antenna(s) used for this transmitter must be installed such that a minimum separation distance of 20 cm is maintained between the radiator (antenna) and all persons at all times and must not be co-located or operating in conjunction with any other antenna or transmitter.

## OEM Responsibilities to comply with FCC and Industry Canada Regulations

The XPWG3 Module has been certified for integration into products only by OEM integrators under the following conditions:

1. The antenna(s) must be installed such that a minimum separation distance of 20 cm is maintained between the radiator (antenna) and all persons at all times.
2. The transmitter module must not be co-located or operating in conjunction with any other antenna or transmitter.

As long as the two conditions above are met, further transmitter testing will not be required. However, the OEM integrator is still responsible for testing their end-product for any additional compliance requirements required with this module installed (for example, digital device emissions, PC peripheral requirements, etc.).

**IMPORTANT NOTE:** In the event that these conditions cannot be met (for certain configurations or co-location with another transmitter), then the FCC and Industry Canada authorizations are no longer considered valid and the FCC ID and IC Certification Number cannot be used on the final product. In these circumstances, the OEM integrator will be responsible for re-evaluating the end product (including the transmitter) and obtaining a separate FCC and Industry Canada authorization.

## End Product Labeling

The XPWG3 Module is labeled with its own FCC ID and IC Certification Number. If the FCC ID and IC Certification Number are not visible when the module is installed inside another device, then the outside of the device into which the module is installed must also display a label referring to the enclosed module. In that case, the final end product must be labeled in a visible area with the following:

**"Contains Transmitter Module FCC ID: A5UXPWG3"**

**"Contains Transmitter Module IC: 10248A-XPWG3"**

or

**"Contains FCC ID: A5UXPWG3"**

**"Contains IC: 10248A-XPWG3"**

The OEM of the XPWG3 Module must only use the approved antenna(s), which have been certified with this module. The OEM integrator has to be aware not to provide information to the end user regarding how to install or remove this RF module or change RF related parameters in the user manual of the end product.

## The user manual for the end product must include the following information in a prominent location:

"To comply with FCC and Industry Canada RF radiation exposure limits for general population, the antenna(s) used for this transmitter must be installed such that a minimum separation distance of 20 cm is maintained between the radiator (antenna) and all persons at all times and must not be co-located or operating in conjunction with any other antenna or transmitter."

## Connected Appliance Regulatory Notices (cont.)

### Open Source License Usage

The following statements refer to the portions of this software based in part on FreeRTOS v7.0.2, <http://www.freertos.org>. The use of this software is governed by the terms of GNU General Public License v. 2, which is available at: <http://www.gnu.org/licenses/gpl-2.0.html>. A copy of the source code may be obtained by written request for the software by name to [opensource@whirlpool.com](mailto:opensource@whirlpool.com), along with the address for delivery.

The following statements refer to those portions of the software copyrighted by Eclipse Foundation, Inc. Copyright (c) 2007, Eclipse Foundation, Inc. and its licensors. All rights reserved.

Redistribution and use in source and binary forms, with or without modification, are permitted provided that the following conditions are met:

- Redistributions of source code must retain the above copyright notice, this list of conditions, and the following disclaimer.
- Redistributions in binary form must reproduce the above copyright notice, this list of conditions, and the following disclaimer in the documentation and/or other materials provided with the distribution.
- Neither the name of the Eclipse Foundation, Inc. nor the names of its contributors may be used to endorse or promote products derived from this software without specific prior written permission.

THIS SOFTWARE IS PROVIDED BY THE COPYRIGHT HOLDERS AND CONTRIBUTORS "AS IS" AND ANY EXPRESS OR IMPLIED WARRANTIES, INCLUDING, BUT NOT LIMITED TO, THE IMPLIED WARRANTIES OF MERCHANTABILITY AND FITNESS FOR A PARTICULAR PURPOSE ARE DISCLAIMED. IN NO EVENT SHALL THE COPYRIGHT OWNER OR CONTRIBUTORS BE LIABLE FOR ANY DIRECT, INDIRECT, INCIDENTAL, SPECIAL, EXEMPLARY, OR CONSEQUENTIAL DAMAGES (INCLUDING, BUT NOT LIMITED TO, PROCUREMENT OF SUBSTITUTE GOODS OR SERVICES; LOSS OF USE, DATA, OR PROFITS; OR BUSINESS INTERRUPTION) HOWEVER CAUSED AND ON ANY THEORY OF LIABILITY, WHETHER IN CONTRACT, STRICT LIABILITY, OR TORT (INCLUDING NEGLIGENCE OR OTHERWISE) ARISING IN ANY WAY OUT OF THE USE OF THIS SOFTWARE, EVEN IF ADVISED OF THE POSSIBILITY OF SUCH DAMAGE.

Portions of this software are copyright (c) Sawtooth Consulting Ltd. 2006-2015 All rights reserved.

Portions of this software are copyright (c) Arrayent, Inc. 2015 All rights reserved.

The following statements refer to those portions of the software copyrighted by Swedish Institute of Computer Science. Copyright (c) 2001-2004 Swedish Institute of Computer Science. All rights reserved.

Redistribution and use in source and binary forms, with or without modification, are permitted provided that the following conditions are met:

1. Redistributions of source code must retain the above copyright notice, this list of conditions, and the following disclaimer.
2. Redistributions in binary form must reproduce the above copyright notice, this list of conditions, and the following disclaimer in the documentation and/or other materials provided with the distribution.
3. The name of the author may not be used to endorse or promote products derived from this software without specific prior written permission.

THIS SOFTWARE IS PROVIDED BY THE AUTHOR "AS IS" AND ANY EXPRESS OR IMPLIED WARRANTIES, INCLUDING, BUT NOT LIMITED TO, THE IMPLIED WARRANTIES OF MERCHANTABILITY AND FITNESS FOR A PARTICULAR PURPOSE ARE DISCLAIMED. IN NO EVENT SHALL THE AUTHOR BE LIABLE FOR ANY DIRECT, INDIRECT, INCIDENTAL, SPECIAL, EXEMPLARY, OR CONSEQUENTIAL DAMAGES (INCLUDING, BUT NOT LIMITED TO, PROCUREMENT OF SUBSTITUTE GOODS OR SERVICES; LOSS OF USE, DATA, OR PROFITS; OR BUSINESS INTERRUPTION) HOWEVER CAUSED AND ON ANY THEORY OF LIABILITY, WHETHER IN CONTRACT, STRICT LIABILITY, OR TORT (INCLUDING NEGLIGENCE OR OTHERWISE) ARISING IN ANY WAY OUT OF THE USE OF THIS SOFTWARE, EVEN IF ADVISED OF THE POSSIBILITY OF SUCH DAMAGE.

The following statements refer to those portions of the software copyrighted by Marvell International Ltd. Copyright (c) Marvell International Ltd. All rights reserved.

DISCLAIMER. THIS SOFTWARE IS PROVIDED BY THE COPYRIGHT HOLDERS AND CONTRIBUTORS "AS IS" AND ANY EXPRESS OR IMPLIED WARRANTIES, INCLUDING, BUT NOT LIMITED TO, THE IMPLIED WARRANTIES OF MERCHANTABILITY AND FITNESS FOR A PARTICULAR PURPOSE ARE DISCLAIMED. IN NO EVENT SHALL THE COPYRIGHT OWNER OR CONTRIBUTORS BE LIABLE FOR ANY DIRECT, INDIRECT, INCIDENTAL, SPECIAL, EXEMPLARY, OR CONSEQUENTIAL DAMAGES (INCLUDING, BUT NOT LIMITED TO, PROCUREMENT OF SUBSTITUTE GOODS OR SERVICES; LOSS OF USE, DATA, OR PROFITS; OR BUSINESS INTERRUPTION) HOWEVER CAUSED AND ON ANY THEORY OF LIABILITY, WHETHER IN CONTRACT, STRICT LIABILITY, OR TORT (INCLUDING NEGLIGENCE OR OTHERWISE) ARISING IN ANY WAY OUT OF THE USE OF THIS SOFTWARE, EVEN IF ADVISED OF THE POSSIBILITY OF SUCH DAMAGE.

# WHIRLPOOL® LAUNDRY LIMITED WARRANTY

ATTACH YOUR RECEIPT HERE. PROOF OF PURCHASE IS REQUIRED TO OBTAIN WARRANTY SERVICE. Please have the following information available when you call the Customer eXperience Center:

- Name, address, and telephone number
- Model number and serial number
- A clear, detailed description of the problem
- Proof of purchase including dealer or retailer name and address

## IF YOU NEED SERVICE:

1. Before contacting us to arrange service, please determine whether your product requires repair. Some questions can be addressed without service. Please take a few minutes to review the Troubleshooting section of the Use and Care Guide or visit the "HOW-TOS & FAQs" section of <https://www.whirlpool.com/owners.html>.
2. All warranty service is provided exclusively by our authorized Whirlpool Service Providers. In the U.S. and Canada, direct all requests for warranty service to:

**Whirlpool Customer eXperience Center**

**In the U.S.A. call 1-866-698-2538. In Canada call 1-800-807-6777.**

If outside the 50 United States and Canada, contact your authorized Whirlpool dealer to determine if another warranty applies.

## ONE YEAR LIMITED WARRANTY

### WHAT IS COVERED

For one year from the date of purchase, when this major appliance is installed, operated, and maintained according to instructions attached to or furnished with the product, Whirlpool Corporation or Whirlpool Canada LP (hereafter "Whirlpool") will pay for Factory Specified Replacement Parts and repair labor to correct defects in materials or workmanship that existed when this major appliance was purchased, or at its sole discretion replace the product. In the event of product replacement, your appliance will be warranted by the remaining term of the original unit's warranty period.

**YOUR SOLE AND EXCLUSIVE REMEDY UNDER THIS LIMITED WARRANTY SHALL BE PRODUCT REPAIR AS PROVIDED HEREIN.** Service must be provided by a Whirlpool designated service company. This limited warranty is valid only in the United States or Canada and applies only when the major appliance is used in the country in which it was purchased. This limited warranty is effective from the date of original consumer purchase. Proof of original purchase date is required to obtain service under this limited warranty.

### WHAT IS NOT COVERED

1. Commercial, non-residential, multiple-family use, or use inconsistent with published user, operator, or installation instructions.
2. In-home instruction on how to use your product.
3. Service to correct improper product maintenance or installation, installation not in accordance with electrical or plumbing codes, or correction of household electrical or plumbing (e.g., house wiring, fuses, or water inlet hoses).
4. Consumable parts (e.g., light bulbs, batteries, air or water filters, preservation solutions).
5. Defects or damage caused by the use of non-genuine Whirlpool parts or accessories.
6. Conversion of your product from natural gas or propane gas or reversal of appliance doors.
7. Damage from accident, misuse, abuse, fire, floods, acts of God, or use with products not approved by Whirlpool.
8. Repairs to parts or systems to correct product damage or defects caused by unauthorized service, alteration, or modification of the appliance.
9. Cosmetic damage including scratches, dents, chips, and other damage to appliance finishes unless such damage results from defects in materials and workmanship and is reported to Whirlpool within 30 days.
10. Discoloration, rust, or oxidation of surfaces resulting from caustic or corrosive environments, including but not limited to, high salt concentrations, high moisture or humidity, or exposure to chemicals.
11. Pick-up or delivery. This product is intended for in-home repair.
12. Travel or transportation expenses for service in remote locations where an authorized Whirlpool servicer is not available.
13. Removal or reinstallation of inaccessible appliances or built-in fixtures (e.g., trim, decorative panels, flooring, cabinetry, islands, countertops, drywall) that interfere with servicing, removal, or replacement of the product.
14. Service or parts for appliances with original model/serial numbers removed, altered, or not easily determined.

**The cost of repair or replacement under these excluded circumstances shall be borne by the customer.**

### DISCLAIMER OF IMPLIED WARRANTIES

IMPLIED WARRANTIES, INCLUDING ANY IMPLIED WARRANTY OF MERCHANTABILITY OR IMPLIED WARRANTY OF FITNESS FOR A PARTICULAR PURPOSE, ARE LIMITED TO ONE YEAR OR THE SHORTEST PERIOD ALLOWED BY LAW. Some states and provinces do not allow limitations on the duration of implied warranties of merchantability or fitness, so this limitation may not apply to you. This warranty gives you specific legal rights, and you also may have other rights that vary from state to state or province to province.

### DISCLAIMER OF REPRESENTATIONS OUTSIDE OF WARRANTY

Whirlpool makes no representations about the quality, durability, or need for service or repair of this major appliance other than the representations contained in this Warranty. If you want a longer or more comprehensive warranty than the limited warranty that comes with this major appliance, you should ask Whirlpool or your retailer about buying an extended warranty.

### LIMITATION OF REMEDIES; EXCLUSION OF INCIDENTAL AND CONSEQUENTIAL DAMAGES

**YOUR SOLE AND EXCLUSIVE REMEDY UNDER THIS LIMITED WARRANTY SHALL BE PRODUCT REPAIR AS PROVIDED HEREIN. WHIRLPOOL SHALL NOT BE LIABLE FOR INCIDENTAL OR CONSEQUENTIAL DAMAGES.** Some states and provinces do not allow the exclusion or limitation of incidental or consequential damages, so these limitations and exclusions may not apply to you. This warranty gives you specific legal rights, and you also may have other rights that vary from state to state or province to province.

# SÉCURITÉ DE LA LAVEUSE

## Votre sécurité et celle des autres est très importante.

Nous donnons de nombreux messages de sécurité importants dans ce manuel et sur votre appareil ménager. Assurez-vous de toujours lire tous les messages de sécurité et de vous y conformer.



Voici le symbole d'alerte de sécurité.

Ce symbole d'alerte de sécurité vous signale les dangers potentiels de décès et de blessures graves à vous et à d'autres.

Tous les messages de sécurité suivront le symbole d'alerte de sécurité et le mot "DANGER" ou "AVERTISSEMENT". Ces mots signifient :

 **DANGER**

Risque possible de décès ou de blessure grave si vous ne suivez pas immédiatement les instructions.

 **AVERTISSEMENT**

Risque possible de décès ou de blessure grave si vous ne suivez pas les instructions.

Tous les messages de sécurité vous diront quel est le danger potentiel et vous disent comment réduire le risque de blessure et ce qui peut se produire en cas de non-respect des instructions.



## **AVERTISSEMENT - "Risque d'incendie"**

- L'installation de la sècheuse à linge doit être effectuée par un installateur qualifié.
- Installer la sècheuse conformément aux instructions du fabricant et aux codes locaux.
- Pour réduire le risque de blessure grave ou de décès, suivre toutes les instructions d'installation.
- Conserver ces instructions.

## IMPORTANTES INSTRUCTIONS DE SÉCURITÉ

**AVERTISSEMENT :** Pour réduire les risques d'incendie, de choc électrique ou de blessures lors de l'utilisation de la laveuse, suivre les précautions fondamentales dont les suivantes :

- Lire toutes les instructions avant d'utiliser la laveuse.
- Ne pas laver des articles qui ont été nettoyés ou lavés avec de l'essence ou imbibés d'essence, solvants de nettoyage à sec, ou autres substances inflammables ou explosives; ces substances peuvent émettre des vapeurs susceptibles de s'enflammer ou d'exploser.
- Ne pas ajouter d'essence, solvant de nettoyage à sec ou autre produit inflammable ou explosif dans l'eau de lavage. Ces substances peuvent émettre des vapeurs susceptibles de s'enflammer ou d'exploser.
- Dans certaines conditions, de l'hydrogène gazeux peut se former dans un circuit d'eau chaude qui n'a pas été utilisé pendant 2 semaines ou plus. LE GAZ HYDROGÈNE EST EXPLOSIBLE. Si le circuit d'eau chaude n'a pas été utilisé pendant une telle période, avant d'utiliser la laveuse, ouvrir tous les robinets d'eau chaude et laisser l'eau s'écouler pendant plusieurs minutes par chaque robinet. Ceci permettra l'évacuation de l'hydrogène gazeux accumulé. Comme ce gaz est inflammable, ne pas fumer ou utiliser une flamme nue au cours de cette période.
- Ne pas laisser des enfants jouer sur ou à l'intérieur de la laveuse. Bien surveiller les enfants lorsque la laveuse est utilisée à proximité d'enfants.
- Avant de mettre la laveuse au rebut ou hors de service, enlever la porte ou le couvercle.
- Ne pas tenter d'atteindre un article à l'intérieur de la cuve de la laveuse lorsque le tambour, la cuve ou l'agitateur est en mouvement.
- Ne pas installer ou remiser cette laveuse à un endroit où elle serait exposée aux intempéries.
- Ne pas modifier les organes de commande.
- Ne pas réparer ou remplacer un composant quelconque de la laveuse, ni entreprendre une opération de service, si ce n'est spécifiquement recommandé dans ce manuel ou dans un manuel d'instructions de réparations destiné à l'utilisateur; il est alors essentiel que la personne concernée comprenne ces instructions et soit compétente pour les exécuter.
- Pour les instructions de liaison à la terre, voir "Spécifications électriques" dans les instructions d'installation.

**CONSERVEZ CES INSTRUCTIONS**

## IMPORTANTES INSTRUCTIONS DE SÉCURITÉ

**AVERTISSEMENT :** Pour réduire le risque d'incendie, de choc électrique ou de blessure lors de l'utilisation de la sècheuse, il convient d'observer certaines précautions élémentaires dont les suivantes :

- Lire toutes les instructions avant d'utiliser la sècheuse.
- Ne pas placer des articles exposés aux huiles de cuisson dans votre sècheuse. Les articles contaminés par des huiles de cuisson peuvent contribuer à une réaction chimique qui pourrait causer à la charge de s'enflammer. Pour réduire le risque d'incendie dû à des charges contaminées, la partie finale du programme de séchage par culbutage a lieu sans chaleur (période de refroidissement). Éviter d'arrêter une sècheuse en phase de culbutage avant la fin du programme de séchage, à moins de retirer et d'étendre rapidement tous les articles afin que la chaleur se dissipe.
- Ne pas faire sécher dans la machine des articles qui ont déjà été nettoyés, lavés, imbibés, ou tachés d'essence, de solvants pour nettoyage à sec, d'autres substances inflammables, ou de substances explosives puisqu'elles dégagent des vapeurs qui peuvent provoquer un incendie ou une explosion.
- Ne pas permettre à des enfants de jouer sur ou à l'intérieur de la sècheuse. Une surveillance étroite est nécessaire lorsque la sècheuse est utilisée près d'eux.
- Avant d'enlever la sècheuse du service ou la jeter, enlever la porte du compartiment de séchage.
- Ne pas mettre la main dans la sècheuse si le tambour est en mouvement.
- Ne pas installer ni entreposer la sècheuse où elle sera exposée aux intempéries.
- Ne pas jouer avec les commandes.
- Ne pas réparer ni remplacer une pièce de la sècheuse ou essayer d'en faire l'entretien à moins d'une recommandation spécifique dans le guide d'utilisation et d'entretien, ou publiée dans les instructions de réparation par l'utilisateur que vous comprenez et pouvez exécuter avec compétence.
- Ne pas utiliser un produit assouplissant de tissu ou des produits pour éliminer la statique à moins qu'ils ne soient recommandés par le fabricant du produit assouplissant de tissu ou du produit.
- Ne pas utiliser la chaleur pour faire sécher des articles fabriqués avec du caoutchouc mousse ou des matériaux semblables.
- Ne pas laisser la charpie, la poussière, ou la saleté s'accumuler autour du système d'évacuation ou autour de l'appareil.
- Un nettoyage périodique de l'intérieur de la sècheuse et du conduit d'évacuation doit être effectué par une personne qualifiée.
- Pour les instructions de liaison à la terre, voir "Spécifications électriques" dans les instructions d'installation.

**CONSERVEZ CES INSTRUCTIONS**

## IMPORTANTES INSTRUCTIONS DE SÉCURITÉ

Avant de jeter ou de ranger votre vieille sècheuse, enlever la porte.

CONSERVEZ CES INSTRUCTIONS

## ACCESSOIRES

### ACCESSOIRES D'INSTALLATION ET D'ENTRETIEN

**PIÈCES AGRÉÉES PAR LE FABRICANT** – Ces mots désignent des pièces de qualité et des accessoires conçus spécialement pour votre appareil. Une ingénierie qui a fait ses preuves, pour répondre à nos normes de qualité les plus strictes.

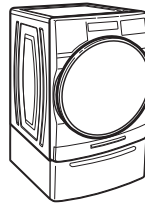
---

**PIÈCES AGRÉÉES PAR LE FABRICANT**

---

Accessoires conçus pour votre appareil :

Personnalisez votre nouvelle laveuse grâce aux authentiques accessoires Whirlpool suivants. Pour plus d'informations sur les options et sur les possibilités de commande, appelez le **1-866-698-2538**, ou consultez **[www.whirlpoolparts.com](http://www.whirlpoolparts.com)**. Au Canada, composez le **1-800-688-2002** ou consultez **[www.whirlpool.ca](http://www.whirlpool.ca)**.

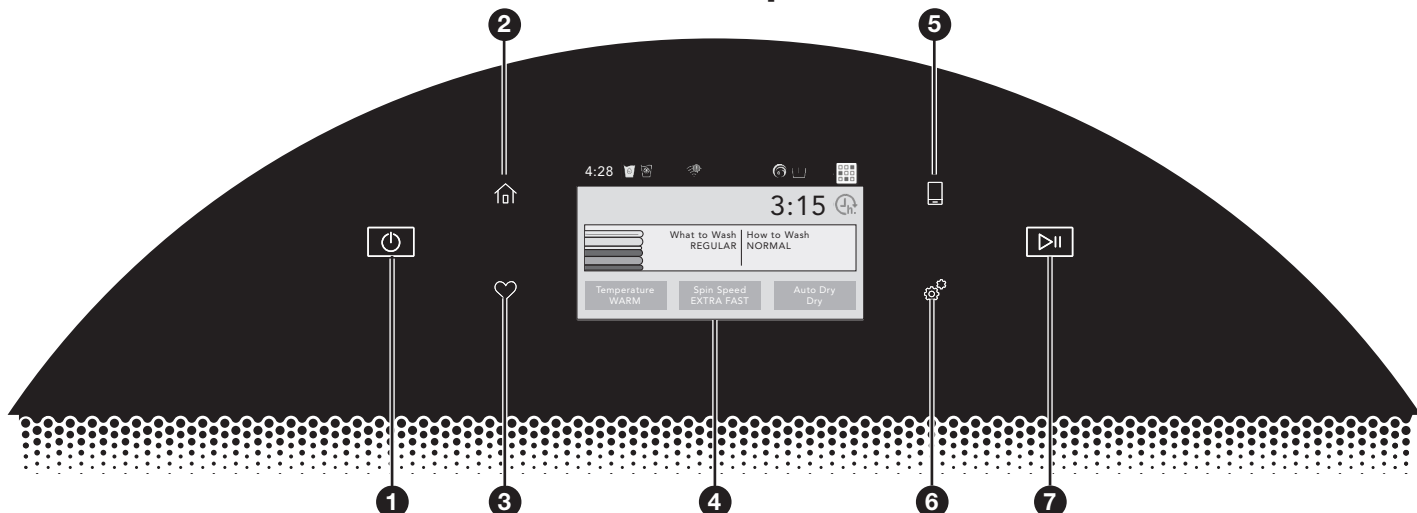


#### Piédestal de 15"

Les piédestaux aux coloris assortis surélèvent la laveuse pour les amener à une hauteur d'utilisation plus confortable. Le grand tiroir offre une capacité de rangement pratique.

# INSTRUCTIONS D'UTILISATION

## Tableau de commande et caractéristiques



**REMARQUE :** La surface du tableau de commande est très sensible et il suffit d'un léger toucher pour l'activer. Pour s'assurer que les sélections ont été sauvegardées, toucher le tableau de commande du bout du doigt et non avec l'ongle.

### 1 BOUTON INTERRUPTEUR

Toucher ce bouton pour mettre la laveuse sous tension.

### 2 BOUTON D'ACCUEIL

Toucher ce bouton pour afficher l'écran d'accueil à l'écran ACL et permettre de sélectionner le programme, les réglages et les options.

### 3 BOUTON FAVORIS

Utiliser ce bouton pour sauvegarder et accéder les programmes préférés, ainsi que l'historique des programmes utilisés récemment.

### 4 ÉCRAN ACL

Utiliser cet écran pour sélectionner le programme, les réglages, les options, etc.

### 5 BOUTON D'ACTIVATION À DISTANCE

Télécharger l'application Whirlpool™ et suivre les instructions pour connecter la laveuse au réseau Wi-Fi de la maison. Visiter également le [www.whirlpool.com/connect](http://www.whirlpool.com/connect). Au Canada, visiter le [www.whirlpool.ca/connect](http://www.whirlpool.ca/connect). Une fois la connexion Wi-Fi effectuée, toucher le bouton ACTIVATION DISTANCE pour utiliser l'application, peu importe le moment. Toucher ce bouton verrouille l'écran ACL, puis affiche un message indiquant que la laveuse attend une commande de l'application. Pour quitter ce mode, toucher de nouveau le bouton ACTIVATION DISTANCE.

### 6 BOUTON OUTILS

Toucher ce bouton pour accéder à l'écran des outils. Pour plus d'informations, voir la section "Utilisation de la laveuse", étape 12.

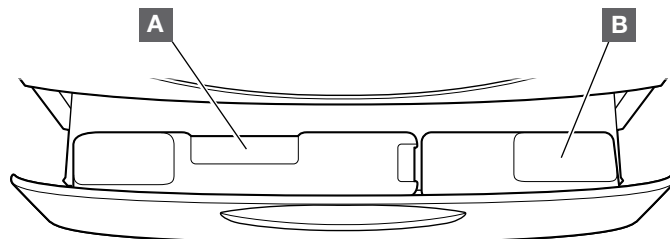
### 7 BOUTON DE MISE EN MARCHÉ/PAUSE

Toucher et maintenir enfoncé ce bouton pour mettre le programme en marche, ou toucher ce bouton pour mettre le programme sur pause. La porte se verrouille lorsqu'un programme est mis en marche. La laveuse détecte la taille de la charge, puis met en marche le programme de lavage.

### 8 DISTRIBUTEURS

#### Distributeur Load & Go™

Le distributeur Load & Go™ offre la possibilité de ne pas ajouter de détergent HE et d'assouplissant de tissu à la charge de lavage à chaque fois. Il détermine également le meilleur moment et la meilleure quantité de détergent à ajouter à la charge. Voir "Utilisation des distributeurs" pour plus d'informations sur l'utilisation du tiroir distributeur.



#### A Distributeur de détergent haute efficacité (HE) liquide de 2 litre

Ce distributeur peut contenir jusqu'à 67,6 oz (2 L) de détergent HE liquide.

#### B Distributeur d'assouplissant de tissu/de détergent haute efficacité (HE) liquide de 1 litre

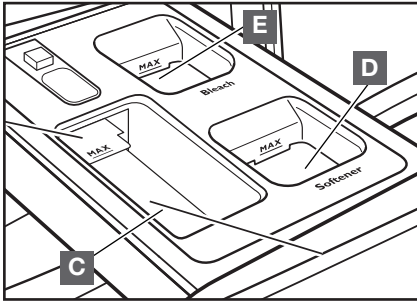
Ce distributeur peut contenir jusqu'à 33,8 oz (1 L) de détergent HE liquide ou d'assouplissant de tissu.

Chaque distributeur contient suffisamment de détergent ou d'assouplissant pour de nombreuses charges de linge. Chaque distributeur ajoute la bonne quantité au bon moment pendant le programme de lavage. Voir "Utilisation des distributeurs" pour plus d'informations sur l'utilisation du distributeur.

**IMPORTANT :** Ne pas utiliser de l'eau de Javel ou de détergent en poudre dans le distributeur. Du détergent en poudre et de l'eau de Javel doivent être ajoutés au distributeur pour charge unique. Voir la section "Utilisation de la laveuse".

#### Tiroir distributeur pour charge unique

Le tiroir distributeur pour charge unique offre la possibilité d'ajouter du détergent HE, de l'eau de Javel et de l'assouplissant de tissu à la charge de lavage, au moment approprié. Voir "Utilisation des distributeurs" pour plus d'informations sur l'utilisation du tiroir distributeur.



- D Compartiment pour assouplissant de tissu liquide**  
Ce compartiment contient l'assouplissant de tissu liquide. Il distribue automatiquement l'assouplissant liquide au bon moment pendant le programme.
- E Compartiment pour eau de Javel**  
Ce compartiment dilue et distribue automatiquement l'eau de Javel au moment opportun lors du premier rinçage qui suit le programme de lavage. Il ne peut pas diluer de poudre à blanchir.

- C Compartiment de détergent Haute efficacité (HE)**  
Ce compartiment contient le détergent HE liquide ou en poudre qui seront utilisés lors du programme de lavage principal et distribue automatiquement le détergent pendant le programme en cours.

## Guide des programmes

Il est possible d'utiliser cette laveuse pour n'effectuer que des lavages, que des séchages ou les deux. Cette laveuse possède une interface utilisateur unique pour aider l'utilisateur à sélectionner le programme de lavage le mieux adapté à la charge. Les configurations "What to Wash" (articles à laver) et "How to Wash" (méthode de lavage) indiquent le programme idéal en deux étapes faciles :

Déterminer d'abord les articles dans la charge qui doit être lavée. Sélectionner ainsi les articles adéquats dans la partie "What to Wash" (articles à laver). Ensuite, déterminer la manière dont on souhaite nettoyer ces articles et sélectionner la méthode appropriée dans la partie "How to Wash" (méthode de lavage). Choisir "What to Wash" (articles à laver) sélectionnera automatiquement une méthode de lavage par défaut. Choisir "How to Wash" (méthode de lavage) est donc optionnel. Voir le tableau ci-dessous pour plus de détails.

Quels articles souhaite-t-on laver?	Sélection du programme "What to Wash" (articles à laver) :
Charges de vêtements en coton, lin et charges mixtes	Regular (ordinaire)
Vêtements en coton de couleurs vives ou foncées, lin et charges mixtes	Colors (Couleurs)
Vêtements/tissus blancs	Whites (blancs)
Serviettes et débarbouillettes résistantes	Towels (serviettes)
Articles qui ne se repassent pas, chemises/pantalons habillés, synthétiques, vêtements en dentelle/minces	Delicates (articles délicats)
Articles de grande taille tels que les petites couettes, les sacs de couchage, les manteaux et les tapis lavables	Bulky Items (articles volumineux)

Quels articles souhaite-t-on laver?	Sélection du programme "How to Wash" (méthode de lavage) :
Ordinaire/normal	Normal
Rapide	Quick (rapide)
Moins de froissement	Wrinkle Control (commande antifroissement)
Nettoyage intense	Heavy Duty (service intense)
Lavage délicat à l'eau froide	Lavage à l'eau froide
Éliminer 99,9 % des trois bactéries domestiques courantes	Sanitize* (assainissement)



Les réglages et options indiqués en **gras** sont les réglages par défaut pour ce programme de lavage. Pour un meilleur soin des tissus, choisir le programme, les options et les réglages qui conviennent le mieux à la charge à laver. Toujours lire et suivre les instructions figurant sur les étiquettes de soin des tissus et sur les produits de lessive. Éviter de tasser le linge dans la laveuse. La laveuse ne rince ou n'essore pas bien si les vêtements sont tassés. Remplir le tambour à moitié ou moins améliorera le rendement de séchage et réduira la durée du programme. Pas tous les réglages ne sont disponibles sur tous les programmes et certaines options ne peuvent pas être combinées.

Type	Méthode	Options de base			Options supplémentaires				
		Température	Spin Speed (vitesse d'essorage)	Options de séchage	Soil Level (niveau de saleté)	Pre-Soak (prétrempage)	Steam Clean (nettoyage à la vapeur)	Extra Rinse (rinçage supplémentaire)	FanFresh®
Regular (ordinaire)	<b>Normal</b>	Cold (très froide) Cool (froide) <b>Warm (tiède)</b> Hot (chaude) Extra Hot (très chaude)	Off (désactivée) Medium (moyenne) Fast (rapide) <b>Extra Fast (très rapide)</b>	Auto Dry (séchage automatique) Timed Dry (séchage minuté)	Light (légère) <b>Normal (normale)</b> Heavy (importante)	X	X	X	X
	Quick (rapide)	Cold (très froide) Cool (froide) <b>Warm (tiède)</b> Hot (chaude) Extra Hot (très chaude)	Off (désactivée) Medium (moyenne) Fast (rapide) <b>Extra Fast (très rapide)</b>	Auto Dry (séchage automatique) Timed Dry (séchage minuté)	<b>Light (légère)</b> Normal (normale) Heavy (importante)	X	X	X	X
	Wrinkle Control (commande antifroissement)	<b>Cold (très froide)</b> Cool (froide) Warm (tiède) Hot (chaude) Extra Hot (très chaude)	Off (désactivée) <b>Slow (lente)</b> Medium (moyenne) Fast (rapide) Extra Fast (très rapide)	Auto Dry (séchage automatique) Timed Dry (séchage minuté)	<b>Light (légère)</b> Normal (normale) Heavy (importante)	X	X	X	X
	Heavy Duty (service intense)	Cold (très froide) Cool (froide) Warm (tiède) <b>Hot (chaude)</b> Extra Hot (très chaude)	Off (désactivée) Medium (moyenne) Fast (rapide) <b>Extra Fast (très rapide)</b>	Auto Dry (séchage automatique) Timed Dry (séchage minuté)	Light (légère) <b>Normal (normale)</b> Heavy (importante)	X	X	X	X
	Lavage à l'eau froide	<b>Cold (très froide)</b> Cool (froide) Warm (tiède) Hot (chaude) Extra Hot (très chaude)	Off (désactivée) Medium (moyenne) Fast (rapide) <b>Extra Fast (très rapide)</b>	Auto Dry (séchage automatique) Timed Dry (séchage minuté)	Light (légère) Normal (normale) <b>Heavy (importante)</b>	X		X	X
	Sanitize (assainissement)	<b>Très chaude</b>	Off (désactivée) Medium (moyenne) Fast (rapide) <b>Extra Fast (très rapide)</b>	Auto Dry (séchage automatique) Timed Dry (séchage minuté)	<b>Light (légère)</b> Normal (normale) Heavy (importante)		X	X	X
Colors (Couleurs)	Normal	Cold (très froide) Cool (froide) <b>Warm (tiède)</b> Hot (chaude) Extra Hot (très chaude)	Off (désactivée) Slow (lente) Medium (moyenne) <b>Fast (rapide)</b> Extra Fast (très rapide)	Auto Dry (séchage automatique) Timed Dry (séchage minuté)	<b>Light (légère)</b> Normal (normale) Heavy (importante)	X	X	X	X

\*Ce programme élimine 99,9% des bactéries que l'on trouve généralement sur les vêtements, articles de literie et serviettes. La température de lavage très chaude assure l'assainissement. Contrôler la température de lavage recommandée pour les articles à laver. Les tests portaient sur les bactéries K. pneumoniae, P. aeruginosa et S. aureus.

Type	Méthode	Options de base			Options supplémentaires				
		Température	Spin Speed (vitesse d'essorage)	Options de séchage	Soil Level (niveau de saleté)	Pre-Soak (prétrempage)	Steam Clean (nettoyage à la vapeur)	Extra Rinse (rinçage supplémentaire)	FanFresh®
Colors (Couleurs) (suite)	Quick (rapide)	Cold (très froide) Cool (froide) <b>Warm (tiède)</b> Hot (chaude) Extra Hot (très chaude)	Off (désactivée) Slow (lente) Medium (moyenne) <b>Fast (rapide)</b> Extra Fast (très rapide)	Auto Dry (séchage automatique) Timed Dry (séchage minuté)	<b>Light (légère)</b> Normal (normale) Heavy (importante)	X	X	X	X
	Wrinkle Control (commande antifroissement)	<b>Cold (très froide)</b> Cool (froide) Warm (tiède) Hot (chaude) Extra Hot (très chaude)	Off (désactivée) <b>Slow (lente)</b> Medium (moyenne) Fast (rapide) Extra Fast (très rapide)	Auto Dry (séchage automatique) Timed Dry (séchage minuté)	<b>Light (légère)</b> Normal (normale) Heavy (importante)	X	X	X	X
	Heavy Duty (service intense)	Cold (très froide) Cool (froide) Warm (tiède) <b>Hot (chaude)</b> Extra Hot (très chaude)	Off (désactivée) Slow (lente) Medium (moyenne) <b>Fast (rapide)</b> Extra Fast (très rapide)	Auto Dry (séchage automatique) Timed Dry (séchage minuté)	<b>Light (légère)</b> Normal (normale) Heavy (importante)	X	X	X	X
	<b>Lavage à l'eau froide</b>	<b>Cold (très froide)</b> Cool (froide) Warm (tiède) Hot (chaude) Extra Hot (très chaude)	Off (désactivée) Slow (lente) Medium (moyenne) <b>Fast (rapide)</b> Extra Fast (très rapide)	Auto Dry (séchage automatique) Timed Dry (séchage minuté)	<b>Light (légère)</b> Normal (normale) Heavy (importante)	X		X	X
	Sanitize (assainissement)	<b>Très chaude</b>	Off (désactivée) Slow (lente) Medium (moyenne) Fast (rapide) <b>Extra Fast (très rapide)</b>	Auto Dry (séchage automatique) Timed Dry (séchage minuté)	<b>Light (légère)</b> Normal (normale) Heavy (importante)		X	X	X
Whites (blancs)	<b>Normal</b>	Cold (très froide) Cool (froide) <b>Warm (tiède)</b> Hot (chaude) Extra Hot (très chaude)	Off (désactivée) Slow (lente) Medium (moyenne) <b>Fast (rapide)</b> Extra Fast (très rapide)	Auto Dry (séchage automatique) Timed Dry (séchage minuté)	Light (légère) Normal (normale) <b>Heavy (importante)</b>	X	X	X	X
	Quick (rapide)	Cold (très froide) Cool (froide) <b>Warm (tiède)</b> Hot (chaude) Extra Hot (très chaude)	Off (désactivée) Slow (lente) Medium (moyenne) <b>Fast (rapide)</b> Extra Fast (très rapide)	Auto Dry (séchage automatique) Timed Dry (séchage minuté)	<b>Light (légère)</b> Normal (normale) Heavy (importante)	X	X	X	X
	Wrinkle Control (commande antifroissement)	<b>Cold (très froide)</b> Cool (froide) Warm (tiède) Hot (chaude) Extra Hot (très chaude)	Off (désactivée) <b>Slow (lente)</b> Medium (moyenne) Fast (rapide) Extra Fast (très rapide)	Auto Dry (séchage automatique) Timed Dry (séchage minuté)	<b>Light (légère)</b> Normal (normale) Heavy (importante)	X	X	X	X
	Heavy Duty (service intense)	Cold (très froide) Cool (froide) Warm (tiède) <b>Hot (chaude)</b> Extra Hot (très chaude)	Off (désactivée) Slow (lente) Medium (moyenne) <b>Fast (rapide)</b> Extra Fast (très rapide)	Auto Dry (séchage automatique) Timed Dry (séchage minuté)	Light (légère) Normal (normale) <b>Heavy (importante)</b>	X	X	X	X
	Lavage à l'eau froide	<b>Cold (très froide)</b> Cool (froide) Warm (tiède) Hot (chaude) Extra Hot (très chaude)	Off (désactivée) Slow (lente) Medium (moyenne) <b>Fast (rapide)</b> Extra Fast (très rapide)	Auto Dry (séchage automatique) Timed Dry (séchage minuté)	Light (légère) Normal (normale) <b>Heavy (importante)</b>	X		X	X
	Sanitize (assainissement)	<b>Très chaude</b>	Off (désactivée) Slow (lente) Medium (moyenne) Fast (rapide) <b>Extra Fast (très rapide)</b>	Auto Dry (séchage automatique) Timed Dry (séchage minuté)	<b>Light (légère)</b> Normal (normale) Heavy (importante)		X	X	X

Type	Méthode	Options de base			Options supplémentaires				
		Température	Spin Speed (vitesse d'essorage)	Options de séchage	Soil Level (niveau de saleté)	Pre-Soak (prétrempage)	Steam Clean (nettoyage à la vapeur)	Extra Rinse (rinçage supplémentaire)	FanFresh®
Towels (serviettes)	Normal	Cold (très froide) Cool (froide) <b>Warm (tiède)</b> Hot (chaude) Extra Hot (très chaude)	Off (désactivée) Slow (lente) Medium (moyenne) Fast (rapide) <b>Extra Fast (très rapide)</b>	Auto Dry (séchage automatique) Timed Dry (séchage minuté)	Light (légère) Normal (normale) <b>Heavy (importante)</b>	X	X	X	X
	Quick (rapide)	Cold (très froide) Cool (froide) <b>Warm (tiède)</b> Hot (chaude) Extra Hot (très chaude)	Off (désactivée) Slow (lente) Medium (moyenne) Fast (rapide) <b>Extra Fast (très rapide)</b>	Auto Dry (séchage automatique) Timed Dry (séchage minuté)	<b>Light (légère)</b> Normal (normale) Heavy (importante)	X	X	X	X
	Wrinkle Control (commande antifroissement)	<b>Cold (très froide)</b> Cool (froide) Warm (tiède) Hot (chaude) Extra Hot (très chaude)	Off (désactivée) <b>Slow (lente)</b> Medium (moyenne) Fast (rapide) Extra Fast (très rapide)	Auto Dry (séchage automatique) Timed Dry (séchage minuté)	<b>Light (légère)</b> Normal (normale) Heavy (importante)	X	X	X	X
	<b>Heavy Duty (service intense)</b>	Cold (très froide) Cool (froide) Warm (tiède) <b>Hot (chaude)</b> Extra Hot (très chaude)	Off (désactivée) Slow (lente) Medium (moyenne) Fast (rapide) <b>Extra Fast (très rapide)</b>	Auto Dry (séchage automatique) Timed Dry (séchage minuté)	Light (légère) Normal (normale) <b>Heavy (importante)</b>	X	X	X	X
	Lavage à l'eau froide	<b>Cold (très froide)</b> Cool (froide) Warm (tiède) Hot (chaude) Extra Hot (très chaude)	Off (désactivée) Slow (lente) Medium (moyenne) Fast (rapide) <b>Extra Fast (très rapide)</b>	Auto Dry (séchage automatique) Timed Dry (séchage minuté)	Light (légère) Normal (normale) <b>Heavy (importante)</b>	X		X	X
	Sanitize (assainissement)	<b>Très chaude</b>	Off (désactivée) Slow (lente) Medium (moyenne) Fast (rapide) <b>Extra Fast (très rapide)</b>	Auto Dry (séchage automatique) Timed Dry (séchage minuté)	<b>Light (légère)</b> Normal (normale) Heavy (importante)		X	X	X
Delicates (articles délicats)	Normal	Cold (très froide) Cool (froide) <b>Warm (tiède)</b> Hot (chaude) Extra Hot (très chaude)	Off (désactivée) <b>Slow (lente)</b> Medium (moyenne) Fast (rapide) Extra Fast (très rapide)	Auto Dry (séchage automatique) Timed Dry (séchage minuté)	Light (légère) <b>Normal (normale)</b> Heavy (importante)	X	X	X	X
	Quick (rapide)	Cold (très froide) Cool (froide) <b>Warm (tiède)</b> Hot (chaude) Extra Hot (très chaude)	Off (désactivée) <b>Slow (lente)</b> Medium (moyenne) Fast (rapide) Extra Fast (très rapide)	Auto Dry (séchage automatique) Timed Dry (séchage minuté)	<b>Light (légère)</b> Normal (normale) Heavy (importante)	X	X	X	X
	<b>Wrinkle Control (commande antifroissement)</b>	<b>Cold (très froide)</b> Cool (froide) Warm (tiède) Hot (chaude) Extra Hot (très chaude)	Off (désactivée) <b>Slow (lente)</b> Medium (moyenne) Fast (rapide) Extra Fast (très rapide)	Auto Dry (séchage automatique) Timed Dry (séchage minuté)	<b>Light (légère)</b> Normal (normale) Heavy (importante)	X	X	X	X

Type	Méthode	Options de base			Options supplémentaires				
		Température	Spin Speed (vitesse d'essorage)	Options de séchage	Soil Level (niveau de saleté)	Pre-Soak (prétrempage)	Steam Clean (nettoyage à la vapeur)	Extra Rinse (rinçage supplémentaire)	FanFresh®
Delicates (articles délicats) (suite)	Heavy Duty (service intense)	Cold (très froide) Cool (froide) Warm (tiède) <b>Hot (chaude)</b> Extra Hot (très chaude)	Off (désactivée) <b>Slow (lente)</b> Medium (moyenne) Fast (rapide) Extra Fast (très rapide)	Auto Dry (séchage automatique) Timed Dry (séchage minuté)	Light (légère) <b>Normal (normale)</b> Heavy (importante)	X	X	X	X
	Lavage à l'eau froide	<b>Cold (très froide)</b> Cool (froide) Warm (tiède) Hot (chaude) Extra Hot (très chaude)	Off (désactivée) <b>Slow (lente)</b> Medium (moyenne) Fast (rapide) Extra Fast (très rapide)	Auto Dry (séchage automatique) Timed Dry (séchage minuté)	Light (légère) <b>Normal (normale)</b> Heavy (importante)	X		X	X
	Sanitize (assainissement)	<b>Très chaude</b>	Off (désactivée) Slow (lente) Medium (moyenne) Fast (rapide) <b>Extra Fast (très rapide)</b>	Auto Dry (séchage automatique) Timed Dry (séchage minuté)	<b>Light (légère)</b> Normal (normale) Heavy (importante)		X	X	X
Bulky Items (articles volumineux)	Normal	Cold (très froide) Cool (froide) <b>Warm (tiède)</b> Hot (chaude) Extra Hot (très chaude)	Off (désactivée) Slow (lente) Medium (moyenne) <b>Fast (rapide)</b> Extra Fast (très rapide)	Auto Dry (séchage automatique) Timed Dry (séchage minuté)	Light (légère) <b>Normal (normale)</b> Heavy (importante)	X	X	X	X
	Quick (rapide)	Cold (très froide) Cool (froide) <b>Warm (tiède)</b> Hot (chaude) Extra Hot (très chaude)	Off (désactivée) Slow (lente) Medium (moyenne) <b>Fast (rapide)</b> Extra Fast (très rapide)	Auto Dry (séchage automatique) Timed Dry (séchage minuté)	<b>Light (légère)</b> Normal (normale) Heavy (importante)	X	X	X	X
	Wrinkle Control (commande antifroissement)	<b>Cold (très froide)</b> Cool (froide) Warm (tiède) Hot (chaude) Extra Hot (très chaude)	Off (désactivée) <b>Slow (lente)</b> Medium (moyenne) Fast (rapide) Extra Fast (très rapide)	Auto Dry (séchage automatique) Timed Dry (séchage minuté)	<b>Light (légère)</b> Normal (normale) Heavy (importante)	X	X	X	X
	<b>Heavy Duty (service intense)</b>	Cold (très froide) Cool (froide) Warm (tiède) <b>Hot (chaude)</b> Extra Hot (très chaude)	Off (désactivée) Slow (lente) Medium (moyenne) <b>Fast (rapide)</b> Extra Fast (très rapide)	Auto Dry (séchage automatique) Timed Dry (séchage minuté)	Light (légère) <b>Normal (normale)</b> Heavy (importante)	X	X	X	X
	Lavage à l'eau froide	<b>Cold (très froide)</b> Cool (froide) Warm (tiède) Hot (chaude) Extra Hot (très chaude)	Off (désactivée) Slow (lente) Medium (moyenne) <b>Fast (rapide)</b> Extra Fast (très rapide)	Auto Dry (séchage automatique) Timed Dry (séchage minuté)	Light (légère) <b>Normal (normale)</b> Heavy (importante)	X		X	X

Les certifications de performance énergétique du gouvernement sont fondées sur les modes RÉGULIER (ARTICLES À LAVER), NORMAL (MÉTHODE DE LAVAGE), MODE DE SÉCHAGE – SÉCHAGE AUTOMATIQUE ET DÉSACTIVÉ, SÉCHAGE MINUTÉ 6 HEURES, SÉCHAGE SEULEMENT SUR PROGRAMME – RÉGLAGE DE TEMPÉRATURE DE SÉCHAGE NON SÉLECTONNABLE. Les valeurs par défaut configurées à l'usine pour les éléments RÉGULIER (ARTICLES À LAVER), NORMAL (MÉTHODE DE LAVAGE) TEMPÉRATURE TIÈDE, TRÈS GRANDE VITESSE D'ESSORAGE, MODE DE SÉCHAGE – SÉCHAGE AUTOMATIQUE (DÉSACTIVÉ), SÉCHAGE MINUTÉ (DÉSACTIVÉ), SÉCHAGE SEULEMENT (DÉSACTIVÉ) n'ont pas été utilisées pour le test de performance énergétique.

## Choix du détergent approprié

Utiliser uniquement des détergents Haute efficacité. L'emballage portera la mention "HE" ou "High Efficiency" (haute efficacité). Un lavage avec faible consommation d'eau produit un excès de mousse avec un détergent non HE. Il est probable que l'utilisation d'un détergent autre que HE prolonge la durée des programmes et réduise la performance de rinçage. Ceci peut aussi entraîner un mauvais fonctionnement des composants et, avec le temps, une accumulation de moisissure. Les détergents HE devraient produire peu de mousse et se dissoudre rapidement et créer une quantité de mousse idéale pour une performance optimale. Ils devraient retenir les particules de saleté en suspension afin qu'elles ne se déposent pas de nouveau sur les vêtements propres. Les détergents identifiés HE ne sont pas tous identiques et ne produisent pas tous la même quantité de mousse. Par exemple, les détergents HE, naturels, organiques et faits maison peuvent produire une plus grande quantité de mousse. Toujours suivre les recommandations du fabricant de détergent pour déterminer la quantité de détergent à utiliser.



Utiliser uniquement un détergent Haute efficacité (HE).

## À propos de la concentration du détergent

Les détergents HE liquides disponibles de nos jours sont concentrés. La plupart des marques de détergents HE concentrés indiquent le niveau de concentration sur le flacon.

Mais si le niveau de concentration n'est pas indiqué sur le flacon, on peut facilement le calculer. Il suffit de diviser la taille de l'emballage en onces liquide par le nombre de charges. Consulter ensuite le tableau ci-dessous pour trouver la concentration.

Modifier les réglages de niveau de concentration de la laveuse en utilisant le bouton Outils (voir l'étape 12 dans la section "Utilisation de la laveuse"). Si l'on n'obtient pas les résultats de nettoyage désirés, régler le niveau de concentration à un chiffre de concentration plus bas. En cas de moussage excessif, régler le niveau de concentration à un chiffre de concentration plus élevé.

Concentration	Nombre d'onces ÷ nombre de charges
2X	1,5-2,49 (44,4 mL-73,6 mL)
3X	0,9-1,49 (26,6 mL-44,1 mL)
4X	0,7-0,89 (20,7 mL-26,3 mL)
5X	0,5-0,69 (14,8 mL-20,4 mL)
6X	0,3-0,49 (8,9 mL-14,5 mL)

# Utilisation des distributeurs

1. Pour la distribution automatique, ouvrir le tiroir distributeur à l'aide de la poignée à la base de la laveuse. Pour une seule charge, ouvrir le tiroir distributeur pour charge unique dans le coin supérieur gauche de la laveuse et désactiver l'option Load & Go™.
2. Ajouter les produits de lessive tels que décrits ci-dessous.
3. Fermer lentement le tiroir du distributeur. Vérifier qu'il est complètement fermé.

## REMARQUES :

- Il est possible qu'une petite quantité d'eau provenant du programme de lavage précédent reste dans le distributeur pour charge unique. Ceci est normal.
- Pour l'information sur la concentration du détergent, voir "À propos de la concentration du détergent".
- Lorsque le niveau de détergent dans le distributeur est bas, l'affichage indique le niveau de détergent (Low).
- Ajouter une dose unique et des activateurs de type Oxi au tambour avant de charger les articles. Voir la section "Utilisation de la laveuse".

## Ajouter du détergent HE au distributeur

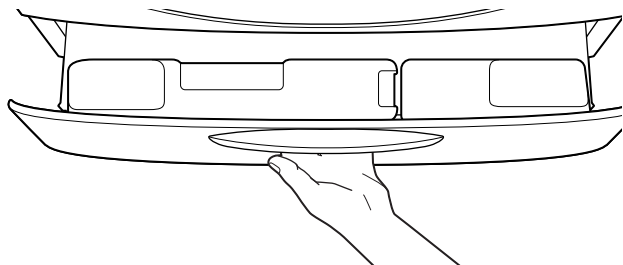
### Distributeur Load & Go™

Utiliser uniquement un détergent liquide Haute efficacité (HE). Les distributeurs Load & Go™ peuvent contenir jusqu'à 67,6 oz (2 L) ou 33,8 oz (1 L) de détergent HE liquide ou suffisamment pour plusieurs charges de lessive.



Utiliser uniquement un détergent Haute efficacité (HE).

### Pour remplir le distributeur Load & Go™ :



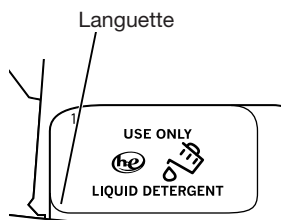
Ouvrir le tiroir distributeur en tirant sur la poignée à la base de la laveuse. Si désiré, les distributeurs Load & Go™ peuvent être complètement retirés du tiroir.

Trouver le distributeur Load & Go™. Tirer doucement sur la languette située sur le couvercle du distributeur pour soulever la porte de remplissage.

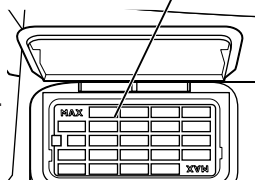
Remplir jusqu'à la ligne "MAX" (voir les illustrations ci-contre) avec du détergent HE liquide ou de l'assouplissant liquide (distributeur 1 litre seulement). Fermer la porte de remplissage. Elle s'emboîte. S'assurer que le réglage de concentration est correct (voir la section "Choix du détergent approprié").

Il est recommandé de rincer les récipients Load & Go™ lorsqu'on change de type ou de concentration de détergent, ou si l'on n'utilise pas la laveuse pendant une période prolongée. Pour les instructions concernant le nettoyage de la cartouche du distributeur, voir "Entretien de la laveuse".

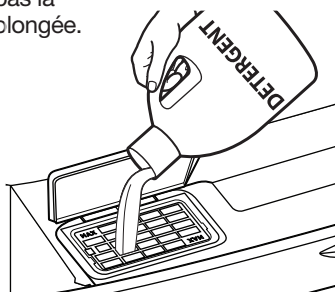
Voir la section "Utilisation de la laveuse", étape 12 pour consulter les instructions sur la modification de la concentration de détergent.



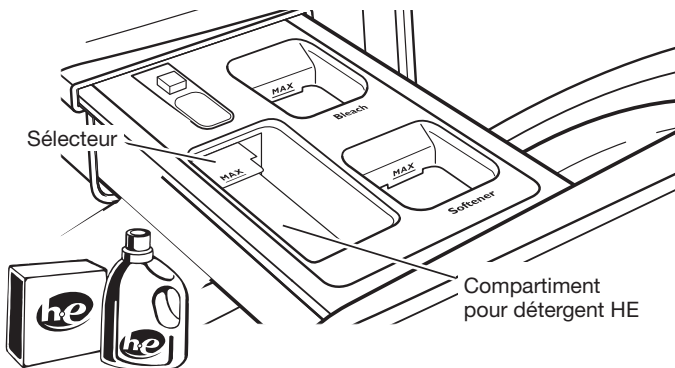
Languette



Ligne "MAX"



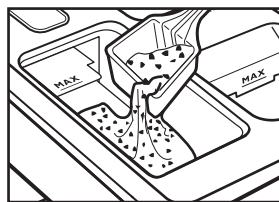
### Ajout de détergent pour une charge unique



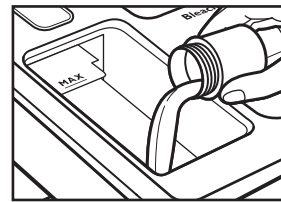
Utiliser uniquement un détergent Haute efficacité (HE).

Verser une mesure de détergent HE dans le compartiment à détergent. Pour du détergent en poudre, soulever le sélecteur vers la position supérieure. Pour le détergent liquide, abaisser le sélecteur jusqu'en position inférieure.

Ne pas faire remplir excessivement le distributeur – le fait d'ajouter trop de détergent peut entraîner sa distribution prématurée dans la laveuse.



Détergent en poudre : Soulever le sélecteur en position élevée. Ajouter directement dans le compartiment.



Détergent liquide : Appuyer sur le sélecteur pour le placer en position basse. Ajouter directement dans le compartiment.

### IMPORTANT :

- Désactiver le ou les distributeurs Load & Go™ selon les besoins (voir étape 12 dans la section "Utilisation de la laveuse").
- Ne pas ajouter de sachet de lessive à dose unique dans le tiroir distributeur.

## Utilisation de la laveuse

### ⚠ AVERTISSEMENT



#### Risque d'incendie

Ne jamais mettre des articles humectés d'essence ou d'autres fluides inflammables dans la laveuse.

Aucune laveuse ne peut complètement enlever l'huile.

Ne pas faire sécher des articles qui ont été salis par tout genre d'huile (y compris les huiles de cuisson).

Le non-respect de ces instructions peut causer un décès, une explosion ou un incendie.

### ⚠ AVERTISSEMENT



#### Risque de choc électrique

Brancher sur une prise à 3 alvéoles reliée à la terre.

Ne pas enlever la broche de liaison à la terre.

Ne pas utiliser un adaptateur.

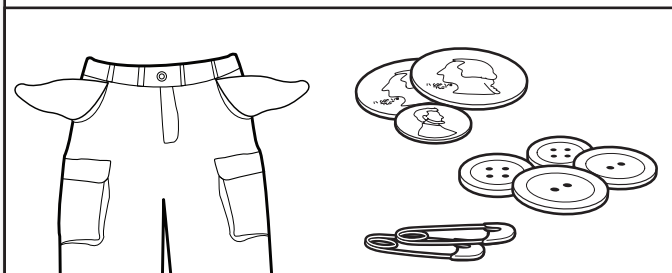
Ne pas utiliser un câble de rallonge.

Le non-respect de ces instructions peut causer un décès, un incendie ou un choc électrique.

### Premier programme de lavage sans vêtements

Avant de laver les vêtements pour la première fois, préparer le distributeur Load & Go™ ou ajouter du détergent au distributeur à dose unique (voir la section "Utilisation des distributeurs"). Choisir le programme Regular (ordinaire) (what to wash [articles à laver]) et le programme Quick (rapide) (how to wash [méthode de lavage]) sans ajouter de vêtements. Utiliser uniquement un détergent HE. Ce programme préalable sert à garantir que l'intérieur est propre.

#### 1. Trier et préparer le linge



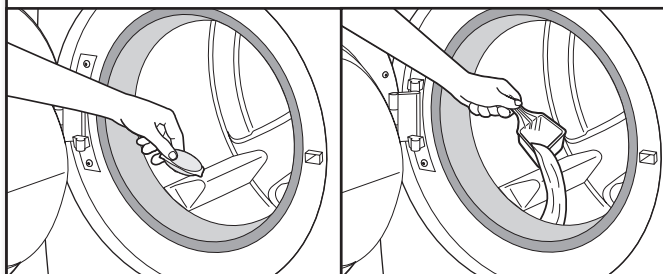
Trier les articles en fonction du programme et de la température d'eau recommandés, ainsi que de la solidité des teintures. Séparer les articles très sales des articles peu sales. Séparer les articles délicats des tissus résistants. Traiter les taches sans délai et contrôler la solidité des teintures pour tester les produits d'élimination de taches sur une couture intérieure.

#### IMPORTANT :

- Vider les poches. Les pièces de monnaie, boutons et autres petits objets peuvent obstruer les pompes et nécessiter une intervention de dépannage.
- Fermer les fermetures à glissière, attacher les crochets, cordons et ceintures en tissu, et retirer tout accessoire et ornement non lavables.
- Réparer les déchirures pour éviter que les articles ne s'endommagent encore davantage lors du nettoyage.

- Retourner les tricotés pour éviter le boulochage. Séparer les articles qui retiennent la charpie des articles qui la transmettent. Les articles synthétiques, tricotés et articles en velours retiennent la charpie provenant des serviettes, des tapis et des tissus chenilles.
- Ne pas sécher les vêtements si les taches sont toujours présentes après le lavage, car la chaleur pourrait fixer les taches sur le tissu.
- Toujours lire et suivre les instructions figurant sur les étiquettes de soin des tissus et sur les produits de lessive. Une mauvaise utilisation pourrait endommager les vêtements.

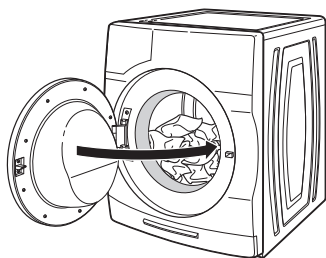
#### 2. Ajouter les produits de lessive, si désiré



On peut ajouter des sachets de lessive à dose unique, des activateurs de lessive de type Oxi, de javellisant non décolorant ou des cristaux parfumés dans le tambour avant d'ajouter le linge. Lors de l'utilisation de sachets de lessive à dose unique, s'assurer que le distributeur Load & Go™ est désactivé ou éteint (voir étape 12).

**REMARQUE :** Toujours suivre les instructions du fabricant.

### 3. Charger les vêtements dans la machine

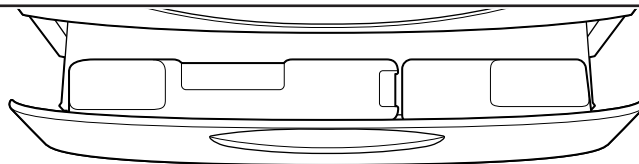


Placer une charge de linge trié dans la laveuse sans les tasser. Les articles doivent pouvoir se déplacer librement pour un nettoyage optimal et pour réduire le froissement et l'emmêlement. Si l'option de séchage est utilisée, ne charger le tambour qu'à moitié ou moins et ne pas interrompre le programme de séchage en ouvrant la porte pour améliorer le rendement de séchage et la durée du programme. Fermer la porte de la laveuse en la poussant fermement jusqu'à ce que le loquet émette un clic.

- Pousser entièrement la charge dans la laveuse. S'assurer qu'aucun article ne se trouve sur le joint en caoutchouc pour éviter de le coincer entre le joint et la porte en verre.
- Mélanger les gros articles avec les petits articles et éviter de laver des articles seuls. Charger la laveuse uniformément.
- Laver les petits articles dans des sacs à linge en filet. Si les petits articles sont nombreux, utiliser plus d'un sac et remplir les sacs de façon égale.

### 4. Ajout de détergent HE

#### Distributeur Load & Go™

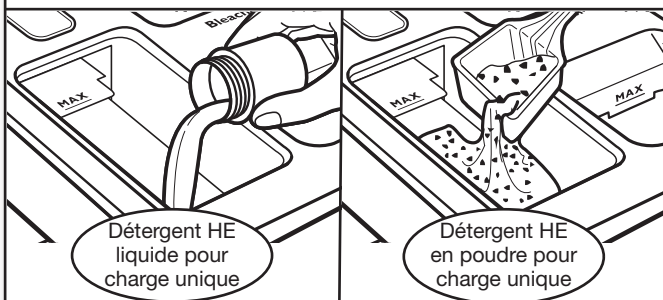


Distributeur Load & Go pour détergent HE liquide

Si le distributeur Load & Go™ contient déjà suffisamment de détergent pour laver la charge, s'assurer que le distributeur que l'on souhaite utiliser est activé en consultant l'étape 12 dans la section "Utilisation de la laveuse". S'il faut ajouter du détergent au distributeur Load & Go™, se reporter à la section "Utilisation des distributeurs".

Ou

#### Tiroir distributeur pour charge unique



Détergent HE liquide pour charge unique

Détergent HE en poudre pour charge unique

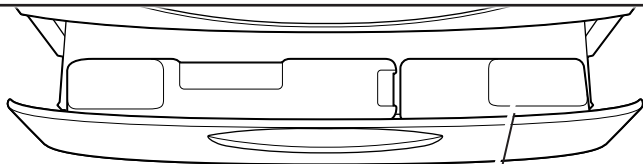
Ajuster le sélecteur en fonction du type de détergent HE utilisé (liquide ou en poudre). Ajouter une mesure de détergent directement dans le compartiment à détergent. Voir la section "Utilisation des distributeurs". Désactiver le ou les distributeurs Load & Go™.

**REMARQUE :** Ne pas placer de sachets de lessive à dose unique, d'activateurs de lessive de type Oxi, de javellisant non décolorant ou de cristaux parfumés dans les distributeurs. Ces produits ne se dissoudront pas correctement.



## 5. Ajouter de l'assouplissant de tissu, si désiré

### Distributeur Load & Go™

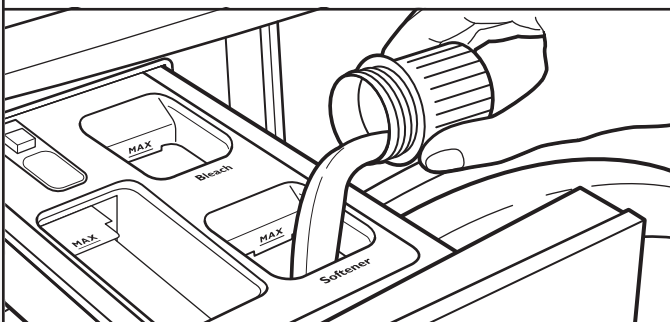


Distributeur Load & Go pour détergent HE liquide et assouplissant de tissu

Si le distributeur Load & Go™ contient déjà suffisamment d'assouplissant de tissu pour la charge, s'assurer que le distributeur Load & Go™ de 1 litre est activé en consultant l'étape 12 dans la section "Utilisation de la laveuse". S'il faut ajouter de l'assouplissant de tissu au distributeur Load & Go, se reporter à la section "Utilisation des distributeurs".

Ou

### Tiroir distributeur pour charge unique



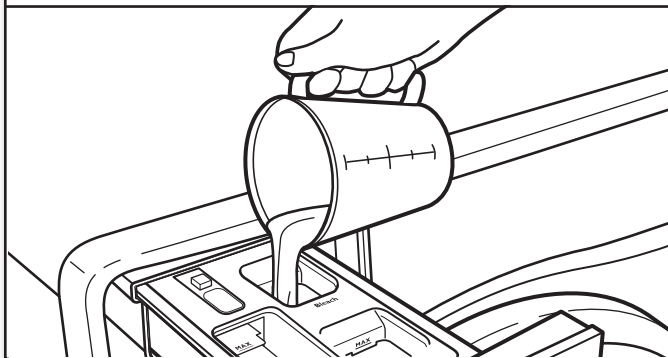
Verser une mesure de l'assouplissant de tissu liquide dans le compartiment pour assouplissant de tissu liquide. Toujours suivre les instructions du fabricant pour connaître la quantité d'assouplissant de tissu adéquate en fonction de la taille de la charge. Désactiver le distributeur Load & Go™ de 1 Litre s'il n'est pas utilisé pour distribuer le détergent.

L'assouplissant de tissu est toujours distribué lors du rinçage final, même si l'on a sélectionné Extra Rinse.

**IMPORTANT :** Ne pas remplir excessivement le distributeur, diluer le produit ou utiliser plus de la quantité d'assouplissant recommandé par le fabricant. Ne pas remplir au-delà du niveau "MAX". Si l'on remplit excessivement le distributeur, l'assouplissant de tissu sera distribué dans la laveuse immédiatement.

- Ne pas renverser ou faire couler d'assouplissant de tissu sur les vêtements.
- Ne pas utiliser de boules distributrices d'assouplissant de tissu dans cette laveuse. Ces produits ne se dissoudront pas correctement.
- Ne pas utiliser de feuilles d'assouplissant de tissu.

## 6. Verser de l'eau de Javel dans le distributeur pour charge unique, si désiré



Verser l'eau de Javel dans le compartiment pour eau de Javel. Ne pas remplir excessivement le distributeur, diluer le produit ou utiliser plus de 2/3 tasse (165 mL). Ne pas utiliser de javellisant non décolorant ni de produit Oxi avec un programme utilisant de l'eau de Javel.

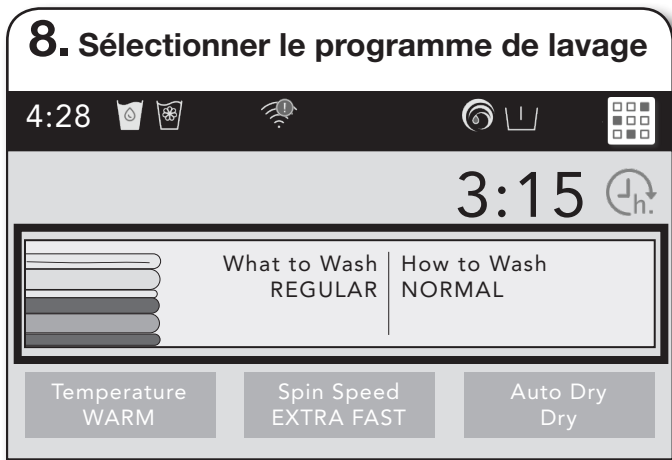
### IMPORTANT :

- Toujours mesurer la quantité d'eau de Javel Utiliser une tasse à mesurer avec un bec verseur ; ne pas utiliser une quantité approximative.
- Ne pas remplir au-delà du niveau "MAX". Un remplissage excessif pourrait endommager les vêtements.
- Ne pas utiliser d'agent de blanchiment épais, facile à verser ou anti-éclaboussure lorsque le programme Clean Washer with affresh® (nettoyage de la laveuse avec affresh®) est en cours car cela peut entraîner une surproduction de mousse.
- Ne pas verser de l'eau de Javel dans le distributeur Load & Go.
- Fermer lentement les tiroirs distributeurs. S'assurer que les tiroirs sont fermés complètement.

## 7. Toucher le bouton INTERRUPTEUR pour mettre la laveuse sous tension



Toucher le bouton INTERRUPTEUR jusqu'à ce que le témoin s'allume.



À partir de l'écran d'accueil, appuyer sur la zone "What to Wash" (articles à laver) pour sélectionner le programme répondant le mieux aux articles à laver. Il pourrait être nécessaire de naviguer vers le bas dans le menu pour voir toutes les sélections. Appuyer sur le programme désiré pour revenir à l'écran d'accueil.

Toucher la zone "What to Wash" (articles à laver) de l'écran pour sélectionner le programme correspond le mieux à la méthode de lavage souhaitée pour ces articles. Il pourrait être nécessaire de naviguer vers le bas dans le menu pour voir toutes les sélections. Appuyer sur le programme désiré pour revenir à l'écran d'accueil.



### Pour régler la température :

À partir du menu d'accueil, toucher la zone "Temperature" (température) de l'écran pour afficher les réglages de température de ce programme sélectionnés à l'étape 8. Toucher le réglage souhaité, puis sur OK pour confirmer le réglage.

La température de lavage recommandée est pré-réglée pour chaque programme. Certaines températures pré-réglées peuvent être modifiées. Il est possible de sélectionner une température de lavage différente en fonction du type de tissu et de saleté à laver. Pour des résultats optimaux, suivre les instructions sur l'étiquette du vêtement et utiliser la température d'eau de lavage la plus chaude possible qui reste sans danger pour le tissu. Toutes les fonctions de température de lavage sont accompagnées d'un rinçage à l'eau froide.

### Pour régler la vitesse d'essorage :

Appuyer dans la zone "Spin Speed" (vitesse d'essorage) de l'écran pour afficher les réglages de vitesse d'essorage du programme sélectionné à l'étape 8. Toucher le réglage souhaité, puis sur OK pour confirmer le réglage.

La vitesse d'essorage recommandée est pré-réglée pour chaque programme. Certaines vitesses pré-réglées peuvent être modifiées.

- Des vitesses d'essorage plus élevées signifient des durées de séchage plus courtes, mais elles peuvent augmenter le froissement de la charge.
- Des vitesses d'essorage moins élevées signifient moins de froissement, mais laissent la charge plus humide.

†Les réglages et options ne sont pas tous disponibles avec tous les programmes.  
Voir la section "Guide de programmes" pour consulter les options et réglages offerts.

## Fonction de séchage (étape 10)

### ⚠ AVERTISSEMENT



#### Risque d'explosion

Garder les matières et les vapeurs inflammables, telle que l'essence, loin de la sècheuse.

Ne pas faire sécher un article qui a déjà été touché par un produit inflammable (même après un lavage).

Le non-respect de ces instructions peut causer un décès, une explosion ou un incendie.

### ⚠ AVERTISSEMENT



#### Risque d'incendie

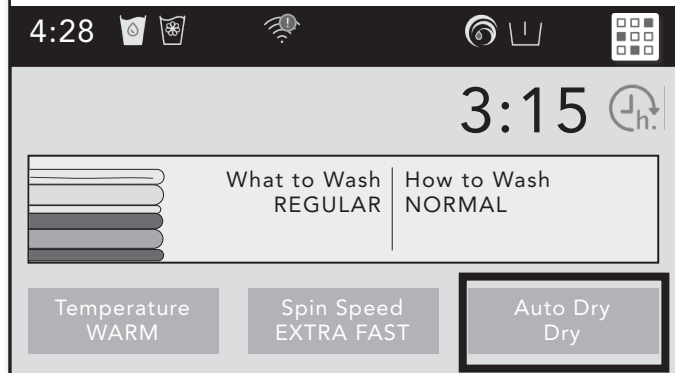
Aucune laveuse ne peut complètement enlever l'huile.

Ne pas faire sécher des articles qui ont été salis par tout genre d'huile (y compris les huiles de cuisson).

Ne pas sécher d'articles contenant de la mousse, du caoutchouc ou du plastique dans cette sècheuse.

Le non-respect de ces instructions peut causer un décès ou un incendie.

## 10. Sélection des fonctions de séchage, si désiré†



À partir du menu d'accueil, toucher sur la zone "Drying Mode" (modes de séchage) à l'écran pour afficher les modes de séchage.

À partir de l'écran de modes de séchage, choisir entre Automatic Drying (séchage automatique) et Timed Drying (séchage minuté). Pour le séchage automatique, toucher le bouton AUTO DRY (séchage automatique), puis toucher l'écran pour choisir Damp Dry (séchage humide), Dry (sec) ou Extra Dry (très sec). Pour le séchage minuté, toucher le bouton TIMED DRY ; puis toucher l'écran pour choisir parmi les durées de 240 min, 270 min, 300 min, 330 min et 360 min. S'attendre à des durées de séchage plus longues que les durées de séchage de sècheuses traditionnelles.

### Pour n'effectuer qu'un programme de séchage :

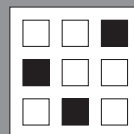
Remplir le tambour à moitié ou moins pour obtenir un rendement de séchage optimal et une durée de programme plus courte. À partir du menu d'accueil, toucher la zone "Drying Mode" (modes de séchage) à l'écran pour afficher les modes de séchage. À partir de l'écran des modes de séchage, après avoir sélectionné Automatic Drying (séchage automatique) ou Timed Drying (séchage minuté) comme indiqué précédemment, toucher le bouton "DRYING ONLY ON" (séchage seulement). Ne pas ouvrir la porte pendant le programme de séchage.

**REMARQUE :** La laveuse effectue l'essorage à grande vitesse avant d'exécuter le programme de séchage.

#### IMPORTANT :

- Ne pas utiliser d'assouplissant en feuilles dans la sècheuse.
- Ne pas faire sécher de couettes ou de grands draps.

## 11. Sélectionner les options, si désiré†



À partir de l'écran d'accueil, toucher l'icône Options (située dans le coin supérieur droit de l'écran), l'écran Options affichera les sélections de Soil Level (niveau de saleté), Extra Rinse (rinçage supplémentaire), Pre-Soak (prétrempage), FanFresh®, Steam Clean (nettoyage à la vapeur) et Wrinkle Shield™. Les options déjà sélectionnées "What to Wash" (articles à laver) et "How to Wash" (méthode de lavage) s'affichent à l'écran. Toucher chaque option à l'écran pour en modifier les réglages.

#### Option de niveau de saleté

Le niveau de saleté recommandé est pré-réglé pour chaque programme. L'option de niveau de saleté permet de choisir entre les réglages de saleté Light (légère), Normal ou Heavy (intense). Certains niveaux de saleté pré-réglés peuvent être modifiés. Pour la saleté intense et les tissus robustes, sélectionner le réglage Heavy Soil (saletés abondantes). Pour la saleté légère et les tissus délicats, sélectionner le réglage Light Soil (saletés légères). Des réglages de niveau de saleté inférieurs aideront à réduire l'emmêlement et le froissement.

#### Option Extra Rinse (rinçage supplémentaire)

L'option Extra Rinse (rinçage supplémentaire) permet d'ajouter un rinçage au programme sélectionné.

#### Option Pre-Soak (prétrempage)

L'option Pre-Soak peut être réglée pour 30 min, 1 h ou 8 h.

#### Option FanFresh®

L'option FanFresh® fait culbuter de façon périodique la charge sur une période de 12 heures suivant la fin d'un programme. Toucher FAN FRESH pour activer cette option. Cette option ne peut être utilisée lorsqu'un mode de séchage est sélectionné. L'option FanFresh® peut être annulée à tout moment en touchant le "X" situé à droite de la durée restante estimée affichée à l'écran tactile.

#### Option Steam Clean (nettoyage à la vapeur)

L'option Steam Clean (nettoyage à la vapeur) ajoute un trempage supplémentaire et prolonge le nettoyage sur de nombreux programmes pour aider à éliminer les taches. Il ajoute également un jet de vapeur pour un nettoyage encore plus efficace. Un dispositif de chauffage intégré aide à maintenir des températures de lavages idéales. Voir le "Guide des programmes" pour découvrir les programmes qui permettent l'utilisation de l'option Steam Clean.

#### Option Wrinkle Shield™

L'option Wrinkle Shield™ ne peut être utilisée que si un mode de séchage a été sélectionné, il fait culbuter de façon périodique la charge sur une période de 12 heures suivant la fin d'un programme. L'option Wrinkle Shield™ peut être annulée à tout moment en appuyant sur le "X" situé à droite du temps restant estimé affiché à l'écran tactile.

†Les réglages et options ne sont pas tous disponibles avec tous les programmes. Voir la section "Guide des programmes" pour consulter les options et réglages offerts.

## 12. Utilisation du bouton Outils pour modifier d'autres réglages, si désiré



Le bouton Outils permet d'accéder plusieurs autres réglages, programmes, préférences et renseignements. Appuyer sur le bouton Outils pour accéder à l'écran des outils, lequel contient les éléments suivants (il faudra naviguer vers le bas pour accéder à toutes les sélections) :

### Distributeur 1 Load & Go™

Toucher cette icône pour accéder à :

Load & Go™ état du distributeur 1 et choisir entre :

- Activé
- Désactivé (1 programme)
- Arrêt (de façon permanente)

Concentration du détergent du distributeur 1 et choisir entre :

- 2X
- 3X
- 4X
- 5X
- 6X
- 8X

### Distributeur 2 Load & Go™

Toucher cette icône pour accéder à :

Load & Go™ état du distributeur 2 et choisir entre :

- Activé
- Désactivé (1 programme)
- Arrêt (de façon permanente)

Load & Go™ contenu du distributeur 2 et choisir entre :

- Assouplissant
- Détergent

Une fois réglé sur détergent :

Régler la concentration du détergent du distributeur 2 et choisir entre :

- 2X
- 4X
- 6X
- 8X

### Verrouillage des commandes

Toucher cette icône pour verrouiller les commandes. Naviguer vers le haut pour déverrouiller.

### Silence

Toucher cette icône pour mettre le son en sourdine ou le réactiver.

### Programmes de service

Toucher cette icône pour accéder aux programmes de service suivants : Sélectionner le programme Drain & Spin (vidange et essorage) et le programme Clean Washer with affresh® (nettoyage de la laveuse avec affresh®). Toucher le programme de service à utiliser et suivre les instructions à l'écran.

**REMARQUE :** Pour atteindre le programme Rinse & Spin (rinçage et essorage), sélectionner le programme Drain & Spin (vidange et essorage) et l'option Extra Rinse (rinçage supplémentaire).

### Préférences (préférences)

Toucher ce bouton pour accéder aux réglages de l'heure, de la date, du volume du son, de l'affichage et de la région. Suivre les instructions à l'écran.

### Wi-Fi

Toucher ce bouton accéder à la connexion au réseau, au SAID (ID d'appareil intelligent), à l'adresse Mac et au Wi-Fi. Suivre les instructions à l'écran.

### Info

Toucher ce bouton pour accéder au soutien, au mode de démonstration en boutique, à la réinitialisation aux réglages d'usine, aux conditions de l'utilisation du Wi-Fi et aux conditions d'utilisation du logiciel. Suivre les instructions à l'écran.

**REMARQUE :** Toutes les modifications apportées aux paramètres resteront en vigueur jusqu'à ce que les paramètres soient modifiés à nouveau.

## 13. Toucher et maintenir enfoncé le bouton de MISE EN MARCHÉ/PAUSE pour démarrer le programme



Toucher et maintenir enfoncé le bouton de MISE EN MARCHÉ/PAUSE pour démarrer le programme.

Pour suspendre en programme en cours, toucher le bouton de MISE EN MARCHÉ/PAUSE une fois ; puis le toucher de nouveau sans relâcher pour poursuivre le programme. Pour annuler un programme, toucher "X" au côté droit de la durée restante estimée à l'écran tactile et faire fonctionner le programme Drain & Spin (vidange et essorage) pour éliminer tout excès d'eau.

À chaque étape du processus, il est possible que l'on remarque des pauses ou des sons différents de ceux que l'on remarque avec des laveuses ordinaires.

Lorsque le bouton de mise en marche/pause est appuyé, la laveuse émet une sonnerie indiquant la mise en marche. Le tambour fait un tour partiel. La porte émet un déclic une fois qu'elle se verrouille. Une fois que la porte s'est verrouillée, la laveuse commence à faire tourner le tambour afin de détecter la taille de la charge. Ce processus de détection se poursuit tout au long du programme. Une fois la charge de linge détectée par la machine, la durée de lavage estimée en fonction de la taille de la charge s'affiche et l'eau est ajoutée. Il est possible que l'on entende de l'eau couler dans le distributeur, ajoutant le détergent à la charge. Il est possible que la durée réelle du programme soit prolongée, mais l'affichage continue d'afficher la durée estimée.

### Déverrouillage de la porte pour pouvoir ajouter des vêtements :

Si l'on doit ouvrir la porte pour pouvoir ajouter un ou deux vêtements oubliés, on peut le faire lorsque le message "Add Garment" apparaît à l'écran. Le temps alloué pour ajouter un vêtement dépend du programme sélectionné et de la taille de la charge.

Toucher une fois le bouton ADD GARMENTS (ajouter des vêtements); la porte se déverrouille une fois que le mouvement de la laveuse a cessé. Cette opération peut prendre quelques secondes. Fermer la porte, puis toucher et maintenir enfoncé le bouton de mise en marche pour redémarrer le programme.

### Ajouter des articles après que le message "Add Garments" (ajouter des vêtements) n'est plus affiché :

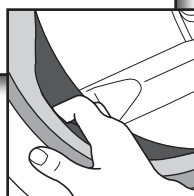
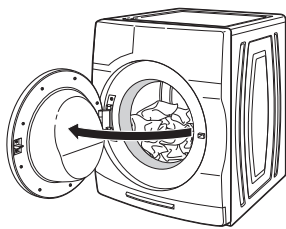
Annuler le programme en cours. L'eau se drainera et le programme devra être sélectionné et démarré de nouveau.

## 14. Toucher le bouton INTERRUPTEUR pour éteindre la laveuse à la fin d'un programme



Le bouton interrupteur est aussi utilisé pour allumer la laveuse avant de l'utiliser.

## 15. Retirer rapidement les vêtements une fois le programme terminé



Après un programme de lavage seul, retirer immédiatement les vêtements une fois le programme terminé pour éviter que des odeurs ne se développent et que les objets métalliques faisant partie des vêtements ne rouillent. Lorsqu'on décharge les vêtements, tirer le dispositif de verrouillage de la porte et vérifier qu'il ne reste pas de petits articles entre la cuve et le tambour de la laveuse.

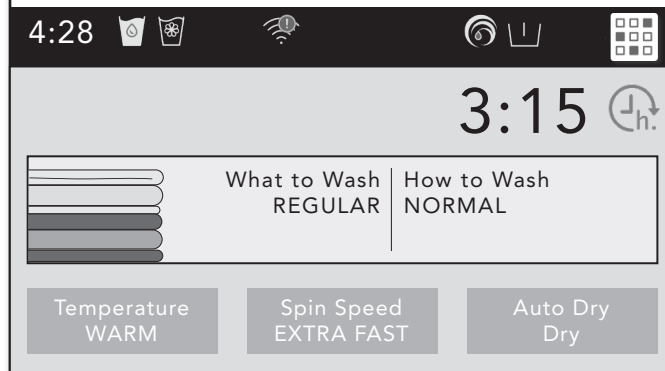
Si l'on n'est pas en mesure de retirer immédiatement la charge après un programme de lavage seul, utiliser l'option FanFresh® (voir étape 11).

Après un programme de lavage avec séchage ou un programme de séchage seul, retirer rapidement les vêtements pour ne pas qu'ils se froissent.

### REMARQUES :

- Cette laveuse dispose d'une fermeture étanche pour éviter les fuites d'eau. Pour éviter la formation d'odeurs, laisser la porte ouverte afin de permettre à la laveuse de sécher entre deux utilisations.
- La charge sera très chaude si le programme de séchage est interrompu et que la charge est retirée avant la période de refroidissement de la fin du programme.

## Régler une mise en marche différée



Toucher le bouton INTERRUPTEUR jusqu'à ce que le témoin s'allume. À partir du menu d'accueil, s'assurer que la laveuse est réglée à la bonne date et heure (si ce n'est pas le cas, voir l'étape 12 pour obtenir des instructions sur la façon de régler l'heure et la date).

Toucher l'icône d'horloge située dans la partie la plus à droite de l'écran tactile. L'écran "Select a start time" (sélectionner une heure de mise en marche) s'affiche. Choisir une heure de mise en marche pour le programme de lavage. L'heure s'affiche par incréments de 15 minutes jusqu'à 8 heures. Toucher OKAY pour régler l'heure de mise en marche. L'affichage revient à l'écran d'accueil et l'icône d'horloge devient brune.

Pour supprimer ou modifier l'heure de mise en marche, toucher de nouveau l'icône d'horloge et suivre les instructions à l'écran.

# Entretien de la laveuse

## NETTOYAGE DE L'EMPLACEMENT DE LA LAVEUSE

Éviter de laisser autour de la laveuse des éléments qui pourraient obstruer la circulation de l'air et empêcher le bon séchage. Ceci implique de dégager également les éventuelles piles de vêtements placées devant la laveuse.

## AVERTISSEMENT



### Risque d'explosion

**Garder les matières et les vapeurs inflammables, telle que l'essence, loin de la sècheuse.**

**Placer la sècheuse au moins 460 mm (18 po) au-dessus du plancher pour une installation dans un garage.**

**Le non-respect de ces instructions peut causer un décès, une explosion ou un incendie.**

## ENTRETIEN DE LA LAVEUSE

### Recommandations pour une laveuse propre et pour un niveau de performance optimal

1. Utiliser toujours un détergent HE (Haute efficacité) et employer la quantité de détergent recommandée par le fabricant du détergent HE. Ne jamais utiliser plus que la quantité recommandée de détergent, car ceci peut augmenter le taux d'accumulation de résidus de détergent et de souillures à l'intérieur de la laveuse, ce qui pourrait entraîner la formation d'odeurs indésirables.
2. Exécuter périodiquement des lavages avec de l'eau tiède ou chaude (pas exclusivement des lavages à l'eau froide), car l'eau chaude facilite l'élimination des résidus de détergent et de souillures.
3. Veiller à toujours laisser la porte de la laveuse entrouverte pour qu'elle puisse sécher, et pour éviter l'accumulation de résidus générateurs d'odeurs.
4. Nettoyer périodiquement les résidus s'accumulant sur les surfaces intérieures du hublot. Pour un meilleur entretien, passer un linge humide sur toute la partie intérieure de la porte.

### Nettoyage de la laveuse à chargement par l'avant

Lire complètement ces instructions avant d'entreprendre les opérations de nettoyage de routine recommandées ci-dessous. Le processus d'entretien de la laveuse doit être exécuté au moins une fois par mois ou à intervalles de 30 lavages (selon la période la plus courte des deux); ceci permettra de contrôler la vitesse à laquelle les résidus de détergent et les souillures s'accumulent dans la laveuse.

### Nettoyage du joint de la porte

1. Ouvrir la porte de la laveuse; retirer tous les articles présents dans la laveuse.
2. Inspecter le joint gris entre l'embrasure de la porte et le tambour – noter toute zone tachée, l'accumulation de souillures ou de charpie. Tirer sur le joint pour examiner complètement la zone qui se trouve en dessous et vérifier qu'elle est libre de tout objet étranger ou de toute charpie.

## ENTRETIEN DE LA LAVEUSE (suite)

3. S'il y a des zones tachées, d'accumulation de souillures ou de charpie, nettoyer ces zones du joint par essuyage, selon l'une des deux méthodes ci-dessous :

### a. Procédure de nettoyage avec lingettes affresh® :

- i. Une fois le programme terminé, tirer doucement sur le joint en caoutchouc de la porte et nettoyer toute la surface avec la face rugueuse de la lingette de nettoyage pour laveuse affresh®.

### b. Procédure de nettoyage avec de l'eau de Javel diluée :

- i. Préparer une solution diluée d'eau de Javel – 3/4 tasse (177 mL) d'eau de Javel et 1 gallon (3,8 L) d'eau tiède puisée au robinet.
- ii. Essuyer la zone du joint avec la solution diluée, en utilisant un chiffon humide.
- iii. Laisser agir pendant 5 minutes.
- iv. Essuyer parfaitement la surface du joint avec un chiffon sec, et laisser la porte de la laveuse ouverte pour que l'intérieur puisse sécher.

### IMPORTANT :

- Porter des gants de caoutchouc lors du nettoyage avec de l'eau de Javel.
- Consulter les instructions du fabricant de l'eau de Javel pour une utilisation correcte.

### Nettoyage de l'intérieur de la laveuse

Cette laveuse comporte un programme spécial qui utilise un volume d'eau plus important en conjonction avec le nettoyage pour laveuse affresh® ou l'eau de Javel ordinaire pour nettoyer à fond l'intérieur de la laveuse. Les modèles avec génération de vapeur utilisent également la vapeur avec ce programme spécial pour le nettoyage approfondi de l'appareil.

**IMPORTANT :** Ne pas utiliser d'agent de blanchiment épais, facile à verser ou anti-éclaboussure lorsque le programme Clean Washer with affresh® (nettoyage de la laveuse avec affresh®) est en cours car cela peut entraîner une surproduction de mousse.

**REMARQUE :** Lire ces instructions complètement avant de débiter la procédure de nettoyage.

### Début de la procédure

#### 1. Nettoyer la laveuse à l'aide du programme Clean Washer with affresh® (recommandé pour une performance optimale) :

- a. Ouvrir la porte de la laveuse ; retirer tous les articles présents dans la laveuse.
- b. Utiliser une lingette de nettoyage pour laveuse affresh® un tissu doux mouillé ou une éponge pour nettoyer l'intérieur de la porte en verre.
- c. Ajouter une pastille de nettoyant pour laveuse affresh® dans le tambour de la laveuse.
- d. Ne pas ajouter de pastille de nettoyant pour laveuse affresh® dans le tiroir distributeur.
- e. Ne pas ajouter de détergent ou d'autre composé chimique dans la laveuse lors de l'exécution de cette procédure.
- f. Fermer la porte de la laveuse.
- g. Sélectionner le programme Clean Washer with affresh® (nettoyage de la laveuse avec affresh®).
- h. Sélectionner l'option FanFresh® pour mieux sécher l'intérieur de la laveuse une fois le programme terminé.  
**REMARQUE :** La laveuse garde en mémoire la dernière sélection d'option et la sélectionnera pour les prochains programmes de lavage, à moins que cette option soit retirée.
- i. Toucher et maintenir enfoncé le bouton de MISE EN MARCHE/PAUSE pour démarrer le programme. Le programme Clean Washer with affresh® (nettoyage de la laveuse avec affresh®) est décrit ci-dessous.

## ENTRETIEN DE LA LAVEUSE (suite)

### 2. Méthode avec de l'eau de Javel :

- a. Ouvrir la porte de la laveuse ; retirer tous les articles présents dans la laveuse.
- b. Ouvrir le tiroir distributeur pour charge unique et ajouter de l'eau de Javel jusqu'au niveau MAX à la fois dans les compartiments d'eau de Javel et d'assouplissant de tissu. On peut utiliser un agent de blanchiment au chlore HE ou traditionnel.  
**IMPORTANT** : Ne pas utiliser d'agent de blanchiment épais, facile à verser ou anti-éclaboussure car cela peut entraîner une surproduction de mousse.  
**REMARQUE** : L'emploi d'une quantité d'eau de Javel supérieure à ce qui est recommandé ci-dessus pourrait endommager la laveuse avec le temps.
- c. Fermer la porte de la laveuse et le tiroir distributeur.
- d. Ne pas ajouter de détergent ou autre composé chimique dans la laveuse lors de l'exécution de cette procédure.
- e. Sélectionner le programme Clean Washer with affresh® (nettoyage de la laveuse avec affresh®).
- f. Sélectionner l'option FanFresh® pour mieux sécher l'intérieur de la laveuse une fois le programme terminé.  
**REMARQUE** : La laveuse garde en mémoire la dernière sélection d'option et la sélectionnera pour les prochains programmes de lavage, à moins que cette option soit retirée.
- g. Toucher et maintenir enfoncé le bouton de MISE EN MARCHE/PAUSE pour démarrer le programme. Le programme Clean Washer with affresh® (nettoyage de la laveuse avec affresh®) est décrit ci-dessous.  
**REMARQUE** : Pour de meilleurs résultats, ne pas interrompre le programme.

#### Description du programme Clean Washer with affresh® :

1. Le programme Clean Washer with affresh® (nettoyage de la laveuse avec affresh®) détecte la présence éventuelle de linge dans la laveuse.
2. Si aucun article n'est détecté dans la laveuse, l'exécution du programme se poursuit.
  - a. Si des articles sont détectés dans la laveuse, "rL" (remove load) s'affiche pour indiquer qu'il faut retirer la charge. La porte se déverrouille. Ouvrir la laveuse et retirer tout le linge qui se trouve dans le tambour de la laveuse.
  - b. Toucher le bouton INTERRUPTEUR pour effacer le code "rL".
  - c. Toucher et maintenir enfoncé le bouton de MISE EN MARCHE/PAUSE pour redémarrer le programme.
3. **Modèles avec génération de vapeur uniquement** : Durant ses 20 premières minutes, le programme active la génération de vapeur, mais le tambour ne tourne pas et ne se remplit pas d'eau. De la condensation peut se former sur la porte en verre durant cette phase initiale. En cas d'utilisation d'une pastille de nettoyant pour laveuse affresh®, celle-ci ne se dissout pas entièrement durant la phase de génération de vapeur. Ceci est normal.

À la fin du programme, laisser la porte entrouverte pour permettre une meilleure ventilation et pour que l'intérieur de la laveuse puisse sécher.

## ENTRETIEN DE LA LAVEUSE (suite)

### Nettoyage des distributeurs

Après avoir utilisé le programme Clean Washer with affresh® (nettoyage de la laveuse avec affresh®), on peut parfois constater une accumulation de résidus dans les distributeurs de la laveuse.

Pour éliminer les résidus du distributeur pour charge unique, retirer le tiroir et essuyer les surfaces avec une lingette de nettoyage pour laveuse affresh® ou un chiffon humide, et sécher avec une serviette avant ou après l'exécution du programme Clean Washer with affresh® (nettoyage de la laveuse avec affresh®). Si nécessaire, utiliser un nettoyant tout-usage.

Pour retirer les résidus du distributeur Load & Go™, soulever la poignée sur le boîtier du distributeur et tirer pour le retirer de la caisse de la laveuse ; rincer ensuite le distributeur à fond avec de l'eau courante. Essuyer la surface externe du distributeur avec une lingette de nettoyage pour laveuse affresh® ou un chiffon humide, et sécher avec une serviette. Si nécessaire, utiliser un nettoyant tout-usage.

Replacer le distributeur dans la caisse de la laveuse en s'assurant qu'il est bien placé.

**IMPORTANT** : Les distributeurs ne sont pas lavables au lave-vaisselle.

### Nettoyage de l'extérieur de la laveuse

Utiliser une lingette de nettoyage pour laveuse affresh® ou un chiffon doux mouillé ou une éponge pour essuyer tout renversement. Essuyer de temps en temps les surfaces externes de la laveuse pour entretenir son aspect neuf. Utiliser une lingette de nettoyage pour laveuse affresh® ou de l'eau et du savon doux.

**IMPORTANT** : Afin d'éviter d'endommager le revêtement de la laveuse, ne pas utiliser de produits abrasifs.

## RAPPEL DE LANCEMENT DU PROGRAMME CLEAN WASHER (nettoyage de la laveuse)

Le message Clean Washer with affresh® clignote à la fin d'un programme de lavage après que la laveuse a effectué 30 programmes de lavage. Il fait office de rappel indiquant à l'utilisateur qu'il faut lancer le programme Clean Washer with affresh® (nettoyage de la laveuse avec affresh®).

Si le programme Clean Washer with affresh® n'est pas activé, le message cesse de clignoter à la fin d'un programme de lavage après que la laveuse a effectué 3 programmes de lavage ordinaires supplémentaires. Après que la laveuse a effectué 30 programmes de lavage supplémentaires, le message Clean Washer with affresh® clignote à nouveau à la fin d'un programme de lavage en guise de rappel.

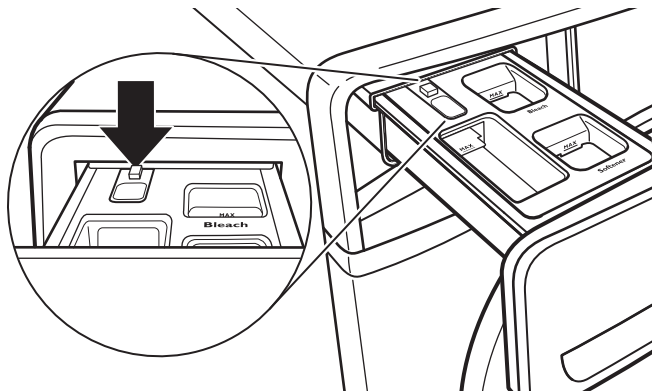
## RETRAIT DU DISTRIBUTEUR (suite)

### Tiroir distributeur pour charge unique

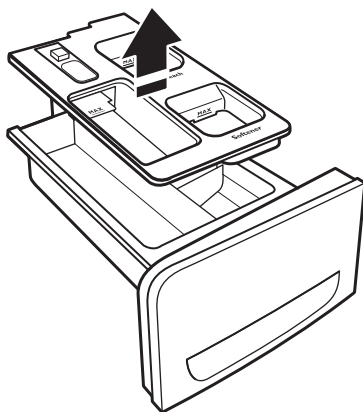
#### Retrait du distributeur

##### Pour enlever :

1. Retirer le tiroir distributeur jusqu'en butée.
2. Appuyer sur la patte de déverrouillage et dégager le distributeur en le tirant tout droit.

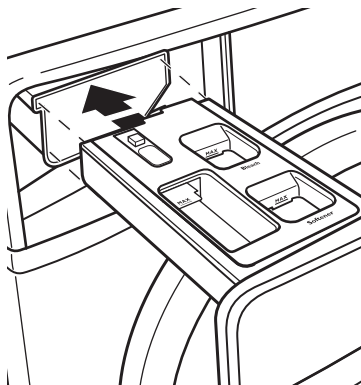


3. Soulever le panneau du couvercle et le tirer tout droit vers le haut pour le retirer.



##### Pour replacer :

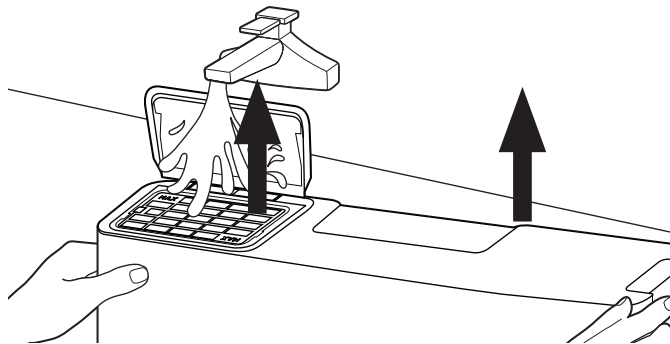
1. Positionner le couvercle sur les ergots du distributeur. Appliquer une légère pression sur le couvercle pour le mettre en place.
2. Aligner les bords du distributeur avec les guides situés dans la laveuse, puis réinsérer le distributeur dans la fente en le faisant glisser. en le faisant glisser.



## NETTOYAGE DES RÉCIPIENTS LOAD & GO™

Il est recommandé de rincer les récipients Load & Go™ lorsqu'on change de type ou de concentration de détergent, ou si l'on n'utilise pas la laveuse pendant une période prolongée.

1. Retirer le tiroir distributeur jusqu'en butée.
2. Sortir les récipients Load & Go™.
3. Soulever le couvercle de remplissage et vidanger l'intérieur soigneusement à l'eau chaude.



4. Laisser sécher à l'air.

**IMPORTANT :** Les récipients ne sont pas lavables au lave-vaisselle.

## TUYAUX D'ARRIVÉE D'EAU

Remplacer les tuyaux d'arrivée d'eau après cinq ans d'utilisation pour réduire le risque de défaillance intempestive. Inspecter périodiquement les tuyaux ; les remplacer en cas de renflement, de déformation, de coupure et d'usure ou de fuite.

Lors du remplacement de vos tuyaux d'arrivée d'eau :

Noter la date de remplacement au marqueur indélébile sur l'étiquette.

Vérifier que les vieilles rondelles ne sont pas coincées dans les valves d'arrivée d'eau de la laveuse.

Utiliser de nouvelles rondelles avec les nouveaux tuyaux d'entrée pour assurer une bonne étanchéité.



## NON UTILISATION ET ENTRETIEN EN PÉRIODE DE VACANCES

Lors d'un déménagement ou si la laveuse n'est pas utilisée pendant longtemps, suivre les étapes suivantes :

1. Débrancher la laveuse ou déconnecter la source de courant électrique.
2. Fermer l'alimentation en eau à la laveuse pour éviter toute inondation due à une surpression.  
**CONSEIL UTILE** : Fixer une note de rappel à la laveuse d'ouvrir le robinet d'eau avant de l'utiliser à nouveau.
3. Nettoyer les distributeurs. Voir "Nettoyage des distributeurs".

## ENTRETIEN POUR ENTREPOSAGE HIVERNAL

**IMPORTANT** : Pour éviter tout dommage, installer et remettre la laveuse à l'abri du gel. L'eau qui peut rester dans les tuyaux risque d'abîmer la laveuse en temps de gel. Si la laveuse doit faire l'objet d'un déménagement ou d'un entreposage au cours d'une période de gel, hivériser la laveuse.

### Hivérisation de la laveuse :

1. Fermer le robinet d'eau. Débrancher et vidanger les tuyaux d'arrivée d'eau.  
**CONSEIL UTILE** : Fixer une note de rappel à la laveuse d'ouvrir le robinet d'eau avant de l'utiliser à nouveau.
2. Retirer le filtre de la pompe de vidange.
3. Placer 1 pte (1 L) d'antigel pour véhicule récréatif dans le tambour et faire fonctionner la laveuse sur un programme Normal pendant environ 2 minutes pour mélanger l'antigel et l'eau restante.
4. Débrancher la laveuse ou déconnecter la source de courant électrique.

## TRANSPORT DE LA LAVEUSE

1. Fermer le robinet d'eau. Débrancher et vidanger les tuyaux d'arrivée d'eau.
2. Pour déplacer la laveuse pendant une période de gel, suivre les instructions de la section "Entretien pour entreposage hivernal" avant de le déplacer.
3. Déconnecter le tuyau d'évacuation du système d'évacuation et de l'arrière de la laveuse.
4. Débrancher le cordon d'alimentation.
5. Placer les tuyaux d'arrivée d'eau et le tuyau d'évacuation dans le tambour.
6. Enrouler le cordon d'alimentation et l'attacher avec un élastique ou avec un attache-câble pour l'empêcher de traîner sur le plancher.

**IMPORTANT** : Demander une intervention de dépannage si l'on doit installer de nouveaux boulons de transport. Ne pas réutiliser les boulons de transport. Le lave-linge doit être transporté en position verticale. Afin d'éviter d'endommager la structure de la laveuse, celle-ci doit être correctement installée pour pouvoir être déplacée par un technicien agréé.

## ⚠ AVERTISSEMENT



### Risque de choc électrique

**Brancher sur une prise à 3 alvéoles reliée à la terre.**

**Ne pas enlever la broche de liaison à la terre.**

**Ne pas utiliser un adaptateur.**

**Ne pas utiliser un câble de rallonge.**

**Le non-respect de ces instructions peut causer un décès, un incendie ou un choc électrique.**

## RÉINSTALLATION/RÉUTILISATION DE LA LAVEUSE

Pour réinstaller la laveuse après une période de non-utilisation, de vacances, de remisage pour l'hiver ou après un déménagement :

1. Consulter les instructions d'installation pour choisir l'emplacement, régler l'aplomb de la laveuse et la raccorder.
2. Avant de réutiliser la laveuse, exécuter la procédure recommandée suivante :

### Remise en marche de la laveuse :

1. Vidanger les canalisations d'eau et les tuyaux. Reconnecter les tuyaux d'arrivée d'eau. Ouvrir les robinets d'eau.
2. Brancher la laveuse ou reconnecter la source de courant électrique.
3. Faire exécuter à la laveuse le programme Heavy Duty (service intense) pour nettoyer la laveuse et éliminer l'antigel, le cas échéant. Utiliser uniquement un détergent HE. Utiliser la moitié de la quantité recommandée par le fabricant pour une charge de taille moyenne.

## ⚠ AVERTISSEMENT



### Risque de choc électrique

**Déconnecter la source de courant électrique avant le nettoyage.**

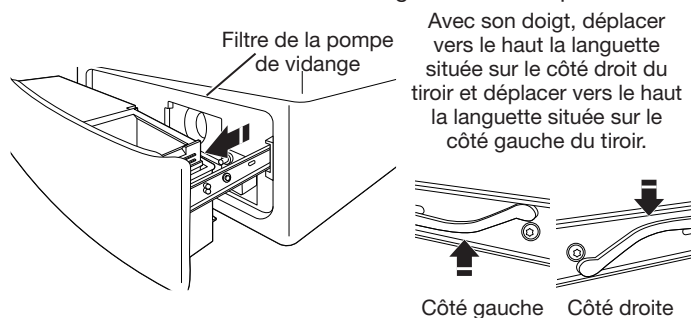
**Replacer pièces et panneaux avant de faire la remise en marche.**

**Le non-respect de ces instructions peut causer un décès ou un choc électrique.**

## NETTOYAGE DU FILTRE DE LA POMPE DE VIDANGE / VIDANGE DE L'EAU RÉSIDUELLE

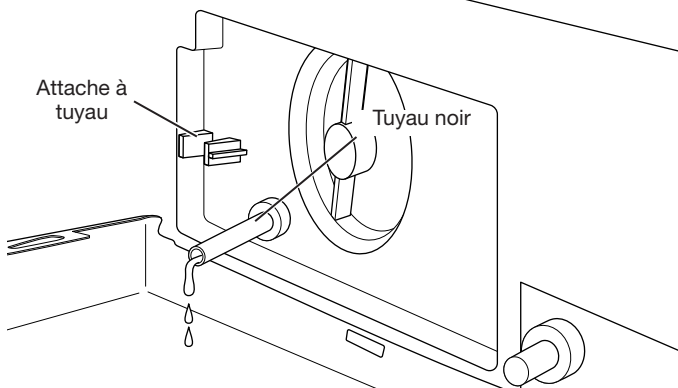
**REMARQUE :** Effectuer la procédure suivante de temps en temps.

1. Ouvrir le tiroir distributeur en tirant sur la poignée à la base de la laveuse. afin de révéler le filtre de la pompe de vidange. Retirer le tiroir en relâchant les languettes de chaque côté.

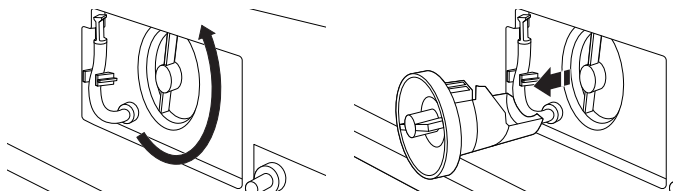


2. Placer un récipient plat sous le filtre de la pompe de vidange pour ramasser l'eau de vidange. Dégager le tuyau noir du collier de serrage, retirer le bouchon et vidanger le tuyau dans le récipient. Vider le contenant. Répéter au besoin la procédure jusqu'à ce qu'il n'y ait plus d'eau. S'assurer que le tuyau noir est complètement sec, remplacer le bouchon et fixer le tuyau dans l'attache.

**REMARQUE :** Si l'eau ne se vidange pas bien, pousser légèrement le tuyau pour éliminer de possibles plis.

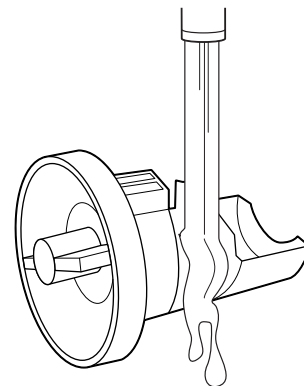


3. Placer un chiffon en coton sous le filtre de la pompe de vidange pour absorber l'eau restante. Retirer ensuite le filtre de la pompe de vidange en le tournant en sens antihoraire.

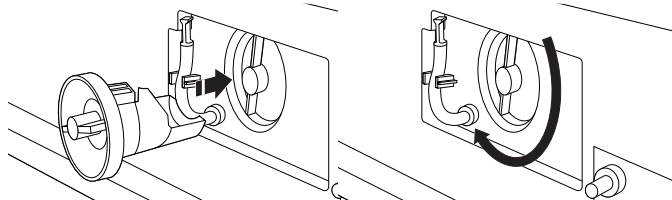


## NETTOYAGE DU FILTRE DE LA POMPE DE VIDANGE / VIDANGE DE L'EAU RÉSIDUELLE (suite)

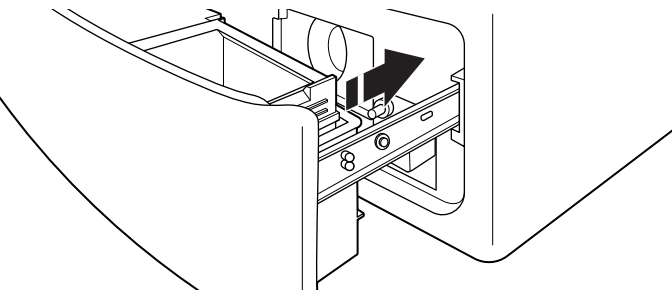
4. Retirer la charpie à la main du filtre et le jeter de façon appropriée. Enlever les résidus restants du filtre en le rinçant à l'eau.



5. Replacer le filtre de la pompe de vidange en le tournant en sens horaire. S'assurer de tourner aussi loin que possible en gardant la poignée du filtre en position verticale.



6. Replacer et fermer le tiroir distributeur. S'assurer d'insérer les deux rails simultanément lors du remplacement du tiroir. Un dé clic se fait entendre indiquant que les rails sont engagés. Pour assurer un positionnement correct du tiroir, le retirer complètement. Le tiroir doit être complètement engagé et les rails verrouillés en place. S'assurer que le tuyau de vidange est bien fixé dans l'attache de tuyau et rentré sous la découpe.



## NETTOYAGE SUPPLÉMENTAIRE

Retirer doucement le joint de porte en caoutchouc et nettoyer les zones tachées, l'accumulation de saleté ou de charpie avec le côté texturé d'une lingette de nettoyage pour laveuse affresh®.



### Obtenir l'application et connectez-vous

**À l'aide de votre appareil mobile, obtenir l'application, les instructions de configuration de la connexion, les conditions d'utilisation et la politique de confidentialité au :**

**[www.whirlpool.ca/connect](http://www.whirlpool.ca/connect)**

**IMPORTANT :** Il est de la responsabilité de l'utilisateur de bien installer l'appareil avant de l'utiliser. Bien lire et suivre les Instructions d'installation accompagnant l'appareil.

La connexion requiert un lien Internet et la création d'un compte. Les fonctions de l'application peuvent changer. Des frais de transfert de données peuvent s'appliquer. En cas de problèmes ou pour toute question, communiquer avec l'équipe Whirlpool Corporation Connected Appliances au **1 866 333-4591**.

#### Il vous faudra :



- Un routeur sans fil compatible Wi-Fi à 2,4 GHz, avec sécurité WPA2. Pour vérifier les capacités de votre routeur, consulter le manuel d'instructions du fabricant du routeur.
- Le routeur devra être en marche et connecté à Internet.
- Le numéro Smart Appliance ID (SAID) à 10 caractères de votre appareil. Le numéro SAID est imprimé sur une étiquette collée sur l'appareil ou peut être affiché à l'écran ACL. Consulter le Guide d'utilisation et d'entretien.

Une fois installée, lancer l'application. Suivre les étapes de configuration du compte d'utilisateur et de connexion de l'appareil. En cas de problèmes ou pour toute question, communiquer avec l'équipe Whirlpool Corporation Connected Appliances au **1 866 333-4591**.

# DÉPANNAGE

Essayer d'abord les solutions suggérées ici ou consulter notre site Web [www.whirlpool.com/owners](http://www.whirlpool.com/owners) (au Canada [www.whirlpool.ca/owners](http://www.whirlpool.ca/owners)) pour obtenir de l'aide et éviter une intervention de réparation.

Si les problèmes suivants surviennent	Causes possibles	Solution
<b>Vibrations ou déséquilibre</b>		
Vibrations, balancement ou effet de "marche" de la machine	Les pieds ne sont peut-être pas verrouillés ou en contact avec le plancher.	Les pieds avant et arrière doivent être en contact ferme avec le plancher et la laveuse doit être d'aplomb pour fonctionner correctement. Les contre-écrous doivent être bien serrés contre le bas de la caisse.
	La laveuse n'est peut-être pas d'aplomb.	Vérifier que le plancher n'est pas incurvé ou qu'il ne s'affaisse pas. Si le plancher est irrégulier, un morceau de contreplaqué de 3/4" (19 mm) placé sous la laveuse permettra de réduire le bruit. Ne pas installer la laveuse sur une plateforme surélevée en bois. Voir "Réglage de l'aplomb de la laveuse" dans les Instructions d'installation.
	La charge est peut-être déséquilibrée ou de trop grande taille.	Éviter de tasser la charge. Éviter de laver un article seul. Compenser le poids d'un article seul tel qu'un tapis ou une veste en jeans par quelques articles supplémentaires pour équilibrer le tout. L'article ou la charge ne convient pas au programme sélectionné. Voir "Guide des programmes" et "Utilisation de la laveuse."
	Les boulons d'expédition se trouvent toujours à l'arrière de la laveuse.	Voir "Déballage de la laveuse" dans les "Instructions d'installation".
<b>Bruits</b>		
Cliquetis ou bruits métalliques	Porte qui se verrouille ou se déverrouille.	Après avoir démarré un programme, le tambour tourne partiellement et la porte se verrouille. La porte demeure verrouillée jusqu'à la fin du programme. Ceci est normal.
	Des objets sont coincés dans le système de vidange de la laveuse.	Vider les poches avant le lavage. Les articles mobiles comme des pièces de monnaie sont susceptibles de tomber entre le tambour et la cuve de la laveuse ; ils peuvent aussi obstruer la pompe. Un appel pour intervention de dépannage s'avéra peut-être nécessaire pour retirer ces objets. Il est normal d'entendre des articles métalliques faisant partie des articles comme les boutons-pression métalliques, boucles ou fermetures à glissière toucher le tambour en acier inoxydable.
Gargouillement ou bourdonnement	La laveuse est peut-être en train d'évacuer de l'eau.	La pompe peut produire un bourdonnement accompagné de gargouillements ou de bruits de pompage périodiques lorsque les quantités d'eau restantes sont éliminées au cours des programmes d'essorage/de vidange. Ceci est normal pour certaines étapes du programme.
<b>Fuites d'eau</b>		
Vérifier ce qui suit pour que l'installation soit correcte	Les tuyaux de remplissage ne sont pas solidement fixés.	Serrer le raccord du tuyau de remplissage.
	Rondelles d'étanchéité des tuyaux de remplissage.	Bien mettre en place les deux rondelles plates des tuyaux d'arrivée d'eau.
	Raccords du tuyau de vidange.	Vérifier que le tuyau de vidange est bien fixé au tuyau de rejet à l'égout ou à l'évier de buanderie.
	Le filtre de la pompe de vidange n'est pas correctement installé.	Vérifier que le filtre est bien placé dans son logement. Voir la section "Nettoyage du filtre de la pompe de vidange/drainage de l'eau résiduelle."
	Le filtre de la pompe de vidange est bouché/le bouchon du tuyau du filtre de la pompe de vidange est lâche ou absent.	Nettoyer le filtre de la pompe de vidange (voir "Nettoyage du filtre de la pompe de vidange/vidange de l'eau résiduelle"). S'assurer que le bouchon du tuyau du filtre de la pompe de vidange est bien placé. S'il est lâche, commander un bouchon de remplacement (voir la section "Assistance ou service").
	Inspecter le circuit de plomberie du domicile pour vérifier qu'il n'y a pas de fuites ou que l'évier ou le tuyau de vidange n'est pas obstrué.	De l'eau pourrait refouler de l'évier ou du tuyau de rejet à l'égout obstrué. Inspecter tout le circuit de plomberie du domicile (évier de buanderie, tuyau de vidange, conduites d'eau et robinet) pour vérifier qu'il n'y a aucune fuite.
	La grille (ou le bas de nylon) située au bout du tuyau de drainage est bouchée.	Retirer la grille ou le bas du tuyau de drainage.

# DÉPANNAGE

Essayer d'abord les solutions suggérées ici ou consulter notre site Web [www.whirlpool.com/owners](http://www.whirlpool.com/owners) (au Canada [www.whirlpool.ca/owners](http://www.whirlpool.ca/owners)) pour obtenir de l'aide et éviter une intervention de réparation.

Si les problèmes suivants surviennent	Causes possibles	Solution
<b>Fuites d'eau (suite)</b>		
Eau ou mousse suintant par la porte ou par l'arrière de la caisse.	Détergent HE non utilisé ou utilisation excessive de détergent HE.	Utiliser uniquement un détergent HE. La mousse produite par des détergents ordinaires peut causer des fuites au niveau de la porte ou de l'arrière de la caisse. Toujours mesurer la quantité de détergent et suivre les instructions du détergent en fonction des modalités de nettoyage de la charge.
	Ne pas utiliser d'agent de blanchiment épaissi, facile à verser ou anti-éclaboussure lorsque le programme Clean Washer with affresh® (nettoyage de la laveuse avec affresh®) est en cours..	Utiliser une pastille affresh® ou de l'eau de Javel ordinaire non épaissie lorsque le programme Clean Washer with affresh® (nettoyage de la laveuse avec affresh®) est en cours.
	Résidus sur la porte en verre.	Nettoyer régulièrement le dessous de la porte en verre pour éviter toute fuite éventuelle.
Fuite autour de la porte	Des cheveux, de la charpie ou d'autres débris sur l'intérieur de la porte en verre empêchent la fermeture étanche de la porte.	Nettoyer l'intérieur de la porte en verre et le joint. Voir "Nettoyage du joint de la porte" dans la section "Entretien de la laveuse".
<b>Le programme de lavage ne fonctionne pas comme prévu</b>		
La charge n'est pas complètement submergée dans l'eau	Niveau d'eau non visible par la porte ou eau ne recouvrant pas les vêtements.	Ceci est normal pour la laveuse. La laveuse détecte la taille de la charge et ajoute la quantité d'eau adéquate pour un nettoyage optimal.
La laveuse ne fonctionne pas ou ne se remplit pas ; elle cesse de fonctionner	Vérifier que l'alimentation en eau est adéquate.	Les deux tuyaux doivent être fixés et l'eau doit pénétrer dans les vannes d'arrivée d'eau.
		Les deux robinets d'eau chaude et d'eau froide doivent être ouverts.
		Vérifier que les tamis des valves d'arrivée ne sont pas obstrués.
		Vérifier que les tuyaux d'arrivée d'eau ne sont pas déformés ; ceci peut réduire le débit.

## AVERTISSEMENT



### Risque de choc électrique

**Brancher sur une prise à 3 alvéoles reliée à la terre.**

**Ne pas enlever la broche de liaison à la terre.**

**Ne pas utiliser un adaptateur.**

**Ne pas utiliser un câble de rallonge.**

**Le non-respect de ces instructions peut causer un décès, un incendie ou un choc électrique.**

La laveuse ne fonctionne pas ou ne se remplit pas ; elle cesse de fonctionner (suite)	Vérifier que l'alimentation électrique à la machine est correcte.	Brancher le cordon d'alimentation dans une prise à 3 alvéoles reliée à la terre.
		Ne pas utiliser de rallonge.
		Vérifier que la prise est alimentée.
		Ne pas brancher dans un DDFT (disjoncteur différentiel de fuite à la terre).
		Inspecter la source de courant électrique ou appeler un électricien pour vérifier si la tension est basse.
		Réarmer le disjoncteur déclenché. Remplacer tout fusible grillé. <b>REMARQUE</b> : Si le problème persiste, appeler un électricien.

# DÉPANNAGE

Essayer d'abord les solutions suggérées ici ou consulter notre site Web [www.whirlpool.com/owners](http://www.whirlpool.com/owners) (au Canada [www.whirlpool.ca/owners](http://www.whirlpool.ca/owners)) pour obtenir de l'aide et éviter une intervention de réparation.

Si les problèmes suivants surviennent	Causes possibles	Solution
<b>Le programme de lavage ne fonctionne pas comme prévu (suite)</b>		
La laveuse ne fonctionne pas ou ne se remplit pas ; elle cesse de fonctionner (suite)	La détection de la taille de la charge est en cours.	Une fois la charge de linge détectée par la machine, la durée de lavage estimée en fonction de la taille de la charge s'affiche et l'eau est ajoutée.
	Fonctionnement normal de la laveuse.	La laveuse fait des pauses durant certaines phases du programme. Ne pas interrompre le programme.
		La laveuse fait une pause d'environ 2 minutes au cours de certains programmes. Laisser le programme se poursuivre. Certains programmes comprennent des périodes de culbutage et de trempage.
		On peut arrêter la laveuse pour réduire la production de mousse. Utiliser toujours la bonne quantité de détergent HE.
	La porte de la laveuse n'est pas bien fermée.	La porte doit être fermée lorsque la laveuse est en marche.
	Le distributeur Load & Go™ n'est pas bien placé dans la laveuse.	S'assurer que le distributeur Load & Go™ est bien placé dans la laveuse et que le couvercle du distributeur est correctement fermé.
	La laveuse n'a pas été chargée comme recommandé.	Retirer plusieurs articles et ré-agencer la charge dans le tambour de la laveuse. Fermer la porte et toucher le bouton de MISE EN MARCHÉ/PAUSE.
		Ne pas ajouter plus d'un ou deux articles supplémentaires après le début du programme afin d'éviter un tassement excessif de la charge ou un déséquilibre. Il n'est plus possible d'ajouter des articles à partir d'un certain point du programme.
Ne pas ajouter d'eau dans la laveuse.		
Détergent HE non utilisé ou utilisation excessive de détergent HE.	Utiliser uniquement un détergent HE. La mousse produite par des détergents ordinaires peut ralentir ou arrêter la laveuse. Toujours mesurer la quantité de détergent et suivre les instructions du détergent en fonction des modalités de nettoyage de la charge.	
	Pour éliminer la mousse, annuler le programme. Sélectionner Rinse & Spin (rinçage et essorage). Toucher le bouton de MISE EN MARCHÉ/PAUSE. Ne pas ajouter de détergent.	
	S'assurer que le distributeur Load & Go™ est désactivé si une seule dose de détergent est utilisée.	
La laveuse s'arrête pendant le programme et un message apparaît à l'écran	Le programme a été interrompu (par exemple en ouvrant la porte).	S'assurer que la porte est fermée. Toucher le bouton de MISE EN MARCHÉ pour reprendre le programme.
	Le système de sécurité a été activé. Un témoin de défaillance s'allume ou un code de défaillance s'affiche à l'écran.	Voir les codes d'erreurs à la fin de la section "Dépannage".
	Les robinets d'arrivée d'eau sont fermés.	S'assurer que les deux robinets d'arrivée d'eau sont ouverts et que les tuyaux d'arrivée d'eau ne sont pas déformés.
La laveuse ne se vidange/n'essore pas ; les charges restent mouillées	Le tuyau de vidange se prolonge dans le tuyau rigide de rejet à l'égout au-delà de 4,5" (114 mm).	Vérifier que le tuyau de vidange est correctement installé. Utiliser la bride de retenue pour tuyau de vidange et la fixer solidement au tuyau rigide de rejet à l'égout ou à la cuve. Ne pas placer de ruban adhésif sur l'ouverture du système de vidange.
	Le tuyau de vidange est obstrué, ou l'extrémité du tuyau de vidange se trouve à plus de 49" (1,3 m) au-dessus du plancher.	Abaisser le tuyau de vidange si l'extrémité se trouve à plus de 49" (1,3 m) au-dessus du plancher. Retirer toute obstruction du tuyau de vidange. Voir la section "Exigences d'installation" dans les Instructions d'installation.
	Grille ou bas situé au bout du tuyau de vidange.	Retirer la grille ou le bas du tuyau de drainage.
	Le tuyau de vidange est trop serré dans le tuyau rigide de rejet à l'égout, ou est fixé au tuyau rigide de rejet à l'égout avec du ruban adhésif.	Le tuyau de vidange doit être lâche, mais bien fixé. Ne pas sceller le tuyau de vidange avec du ruban adhésif. Le tuyau a besoin d'une ouverture pour l'air. Voir "Acheminer le tuyau de vidange" dans les Instructions d'installation.

# DÉPANNAGE

Essayer d'abord les solutions suggérées ici ou consulter notre site Web [www.whirlpool.com/owners](http://www.whirlpool.com/owners) (au Canada [www.whirlpool.ca/owners](http://www.whirlpool.ca/owners)) pour obtenir de l'aide et éviter une intervention de réparation.

Si les problèmes suivants surviennent	Causes possibles	Solution
<b>Le programme de lavage ne fonctionne pas comme prévu (suite)</b>		
La laveuse ne se vidange/n'essore pas ; les charges restent mouillées (suite)	Utiliser des programmes comportant une vitesse d'essorage inférieure.	Les programmes avec vitesses d'essorage réduites éliminent moins d'eau que les programmes qui comportent des vitesses d'essorage supérieures. Utiliser la vitesse d'essorage/le programme recommandé approprié pour le vêtement.
	La laveuse n'a pas été chargée comme recommandé.	Des vêtements tassés ou une charge déséquilibrée empêchent la laveuse d'essorer correctement, ce qui laisse la charge plus mouillée qu'elle ne devrait l'être. Voir "Guide des programmes" pour les volumes de charge recommandés.
	Une charge mal équilibrée a empêché le programme d'essorage de fonctionner pour ne pas endommager la laveuse.	Pour faire essorer des vêtements humides, ajouter d'autres articles de différentes tailles et démarrer un programme de rinçage et d'essorage. Éviter de laver de petites charges constituées de quelques grands articles ou d'articles très absorbants. Laver des charges constituées d'articles de tailles diverses. Éviter de laver un article seul.
	Détergent HE non utilisé ou utilisation excessive de détergent HE.	Utiliser uniquement un détergent HE. Un excès de mousse causé par l'utilisation d'un détergent ordinaire ou d'un surplus de détergent peut ralentir ou arrêter la vidange ou l'essorage. Toujours mesurer le détergent et suivre les instructions du fabricant en fonction de la charge. Pour éliminer tout excès de mousse, sélectionner Rinse & Spin (rinçage et essorage). Ne pas ajouter de détergent.
	Des petits articles sont peut-être coincés dans la pompe ou entre le tambour et la partie externe de la cuve de la laveuse.	Inspecter le tambour pour vérifier qu'aucun article ne dépasse par les trous du tambour. Vider les poches et utiliser des sacs à linge pour laver les petits articles.
	Le filtre de la pompe de vidange est sale.	Nettoyer le filtre de la pompe de vidange. Voir la section "Nettoyage du filtre de la pompe de vidange/drainage de l'eau résiduelle."
	Le programme de lavage a été annulé et la porte s'est ouverte avant que l'eau ne soit vidée.	Faire fonctionner le programme Drain & Spin (vidange et essorage) pour éliminer l'eau restée dans la machine.
La laveuse essore les vêtements sans eau	La laveuse mesure la masse de la charge sèche.	Cette mesure est normale et assure la meilleure durée du programme pour la charge.
Porte verrouillée à la fin du programme de lavage	Il reste de l'eau dans la laveuse après le programme.	Sélectionner Drain & Spin (vidange et essorage) pour évacuer toute eau restée dans la laveuse. La porte se déverrouille à la fin de la vidange.
La porte ne se déverrouille pas.	Code d'erreur affiché.	Le mode défaillance entraîne le verrouillage de la porte. Toucher le bouton de MISE EN MARCHÉ/PAUSE pour sortir et attendre que la porte se déverrouille.
	La température de l'eau est supérieure à 104 °F (40 °C).	Attendre que la température de l'eau baisse.
	Le mécanisme de verrouillage de la porte ne fonctionne pas bien.	Effectuer la procédure "Comment ouvrir manuellement la porte".
Températures de lavage incorrectes	Vérifier que l'alimentation en eau est adéquate.	Vérifier que les tuyaux d'arrivée d'eau chaude et d'eau froide ne sont pas inversés.
		Les deux tuyaux d'arrivée d'eau doivent être raccordés à la fois à la laveuse et au robinet, et les valves d'arrivée doivent recevoir de l'eau chaude et de l'eau froide.
		Vérifier que les tamis des valves d'arrivée ne sont pas obstrués.
	Lavage de plusieurs charges	Éliminer toute déformation des tuyaux.
		Le réservoir d'eau chaude n'a peut-être pas suffisamment d'eau chaude à fournir pour le nombre de lavages à l'eau chaude ou tiède requis. Ceci est normal.

# DÉPANNAGE

Essayer d'abord les solutions suggérées ici ou consulter notre site Web [www.whirlpool.com/owners](http://www.whirlpool.com/owners) (au Canada [www.whirlpool.ca/owners](http://www.whirlpool.ca/owners)) pour obtenir de l'aide et éviter une intervention de réparation.

Si les problèmes suivants surviennent	Causes possibles	Solution
<b>Le programme de lavage ne fonctionne pas comme prévu (suite)</b>		
Charge non rincée	Raccordement incorrect de l'alimentation en eau.	Vérifier que les tuyaux d'arrivée d'eau chaude et d'eau froide ne sont pas inversés.
		Les deux tuyaux doivent être fixés et l'eau doit pénétrer dans la valve d'arrivée.
		Les robinets d'eau chaude et d'eau froide doivent être ouverts tous les deux.
		Les tamis des valves d'arrivée d'eau de la laveuse sont peut-être obstrués. Éliminer toute déformation des tuyaux d'arrivée d'eau.
	Détergent HE non utilisé ou utilisation excessive de détergent HE.	La mousse produite par un détergent non HE peut empêcher la laveuse de fonctionner correctement.
		Utiliser uniquement un détergent HE. Toujours mesurer le détergent et suivre les instructions du fabricant en fonction de la taille et du niveau de saleté de la charge.
La laveuse n'a pas été chargée comme recommandé.	Éviter de tasser le linge dans la laveuse. La laveuse ne rincera pas bien si les vêtements sont tassés. Charger la machine uniquement avec des articles secs. Voir "Guide des programmes" pour les volumes de charge recommandés.	Utiliser le programme conçu pour les tissus à laver.
		Si l'on souhaite ajouter des vêtements une fois que la laveuse a démarré, n'en rajouter qu'un ou deux.
		En cas de déséquilibre de la charge, un processus de lavage est lancé pour répartir à nouveau la charge. Ceci peut rallonger le programme. Éviter de laver un article seul. Compenser le poids d'un article seul tel qu'un tapis ou une veste en jeans par quelques articles supplémentaires pour équilibrer le tout.
La charge est peut-être déséquilibrée.		
La charge a besoin de rinçages supplémentaires.	La majorité des programmes permettent d'ajouter des rinçages. Consulter le "Guide des programmes" et l'étape 11 dans la section "Utilisation de la laveuse" pour connaître les options de rinçage supplémentaire.	
La charge est froissée, entortillée ou enchevêtrée	La laveuse n'a pas été chargée comme recommandé.	Ajouter les vêtements sans les tasser. Les articles doivent pouvoir se déplacer librement pour réduire le froissement et l'emmêlement. Voir "Guide des programmes" pour les volumes de charge recommandés.
		Réduire l'emmêlement en mêlant plusieurs types d'articles dans la charge. Utiliser le programme recommandé correspondant aux types de vêtements à laver.
	La vitesse d'essorage est trop élevée pour la charge.	Sélectionner une vitesse d'essorage plus basse. Notons que les articles seront plus mouillés que si l'on utilise une vitesse d'essorage supérieure.
	Les vêtements n'ont pas été retirés rapidement.	Décharger la laveuse dès qu'elle s'arrête ou utiliser l'option FanFresh® si l'on n'est pas en mesure de décharger la laveuse dès la fin du programme.
	Le programme choisi ne correspond pas au programme qui doit être utilisé pour la charge de lavage.	Choisir le programme "Delicates" (articles délicats) dans la partie What to Wash (articles à laver) ou un autre programme avec essorage à basse vitesse pour réduire le froissement.
Ne nettoie ou ne détache pas	La laveuse n'a pas été chargée comme recommandé.	Ajouter les vêtements sans les tasser. Les articles doivent pouvoir se déplacer librement pour un nettoyage idéal. Voir "Guide des programmes" pour les volumes de charge recommandés.
		Si l'on souhaite ajouter des vêtements une fois que la laveuse a démarré, n'en rajouter qu'un ou deux.
	Détergent HE non utilisé ou utilisation excessive de détergent HE.	Utiliser uniquement un détergent HE. Toujours mesurer le détergent et suivre les instructions du fabricant en fonction de la taille et du niveau de saleté de la charge.
	Eau dure ou niveau élevé de fer (rouille) dans l'eau.	Il faut peut-être installer un adoucisseur d'eau et/ou un filtre à fer.
	Une boule distributrice d'assouplissant de tissu a été utilisée.	Les boules distributrices ne fonctionnent pas correctement avec cette laveuse. Verser un assouplissant de tissu liquide dans le compartiment pour assouplissant de tissu.
	Du détergent en poudre a été utilisé pour le programme à basse vitesse.	Envisager l'utilisation d'un détergent liquide.



# DÉPANNAGE

Essayer d'abord les solutions suggérées ici ou consulter notre site Web [www.whirlpool.com/owners](http://www.whirlpool.com/owners) (au Canada [www.whirlpool.ca/owners](http://www.whirlpool.ca/owners)) pour obtenir de l'aide et éviter une intervention de réparation.

Si les problèmes suivants surviennent	Causes possibles	Solution	
<b>Le programme de lavage ne fonctionne pas comme prévu (suite)</b>			
Ne nettoie ou ne détache pas (suite)	Programme utilisé incorrect par rapport au type de tissu.	<p>Utiliser une température de lavage plus chaude pour améliorer le nettoyage.</p> <p>Si un programme de la partie What to Wash (articles à laver) est jumelé avec le programme "Quick" (rapide) de la partie How to Wash (méthode de lavage), ne laver que quelques articles.</p> <p>Utiliser le programme "Heavy Duty" (service intense) dans la partie How to Wash (méthode de lavage) pour les nettoyages difficiles.</p> <p>Ajouter un rinçage supplémentaire pour les charges très sales.</p>	
	Les distributeurs ne sont pas utilisés ou les distributeurs ne sont pas correctement chargés.	<p>Utiliser les distributeurs pour éviter que l'eau de Javel ou l'assouplissant de tissu ne tachent les vêtements.</p> <p>Remplir les distributeurs avant de démarrer un programme.</p> <p>S'assurer que le distributeur de détergent liquide Load &amp; Go™ n'est pas vide.</p> <p>Éviter de les remplir excessivement.</p> <p>Ne pas ajouter de produits autres que ceux spécifiés directement pour le chargement.</p>	
	La cartouche du distributeur est vide.	Remplir la cartouche du distributeur jusqu'à la ligne "MAX" avec du détergent liquide HE.	
	Les couleurs similaires ne sont pas lavées ensemble.	Laver ensemble les couleurs semblables et les retirer rapidement une fois le programme terminé pour éviter tout transfert de teinture.	
	Quantité de détergent utilisée insuffisante ou eau dure.	Utiliser plus de détergent pour laver des articles très sales à l'eau froide ou dure.	
	Odeurs	L'entretien mensuel n'est pas effectué comme recommandé.	<p>Lancer le programme Clean Washer with affresh® (nettoyage de la laveuse avec affresh®) tous les mois ou tous les 30 programmes de lavage. Voir "Entretien de la laveuse" dans la section "Entretien de la laveuse."</p> <p>Décharger la laveuse dès que le programme est terminé. Utiliser l'option FanFresh® si l'on ne peut pas retirer immédiatement la charge une fois le lavage terminé.</p>
		Détergent HE non utilisé ou utilisation excessive de détergent HE.	<p>Utiliser uniquement un détergent HE. Veiller à mesurer correctement. Toujours suivre les directives du fabricant.</p> <p>Voir la section "Utilisation de la laveuse".</p>
La porte n'est pas restée ouverte après utilisation.		Cette laveuse dispose d'une fermeture étanche pour éviter les fuites d'eau. Pour éviter la formation d'odeurs, laisser la porte ouverte afin de permettre à la laveuse de sécher entre deux utilisations.	
Tissu endommagé	Des objets pointus se trouvaient dans les poches au moment du programme de lavage.	Vider les poches, fermer les fermetures à glissière, les boutons-pression et les agrafes avant le lavage pour éviter d'accrocher et de déchirer les vêtements.	
	Les cordons et les ceintures se sont peut-être emmêlés.	Attacher tous les cordons et les ceintures avant de démarrer le nettoyage de la charge.	
	Les articles étaient peut-être endommagés avant le lavage.	Raccorder les déchirures et reprendre les fils cassés des coutures avant le lavage.	
	Les tissus peuvent subir des dommages si l'on tasse le linge dans la laveuse.	<p>Éviter de tasser le linge dans la laveuse. Charger la machine uniquement avec des articles secs.</p> <p>Utiliser le programme conçu pour les tissus à laver.</p> <p>Si l'on souhaite ajouter des vêtements une fois que la laveuse a démarré, n'en rajouter qu'un ou deux.</p>	
	Les tissus peuvent être endommagés si la porte de la laveuse est fermée sur un article, le coinçant entre la porte en verre et le joint en caoutchouc.	<p>Ne pas surcharger la laveuse.</p> <p>Pousser entièrement la charge à laver dans la laveuse.</p>	
	L'eau de Javel n'a peut-être pas été ajoutée correctement.	Ne pas verser d'eau de Javel directement sur la charge. Essuyer tous les renversements d'eau de Javel.	
		De l'eau de Javel non diluée endommagera les tissus. Ne pas utiliser plus que la quantité recommandée par le fabricant.	

# DÉPANNAGE

Essayer d'abord les solutions suggérées ici ou consulter notre site Web [www.whirlpool.com/owners](http://www.whirlpool.com/owners) (au Canada [www.whirlpool.ca/owners](http://www.whirlpool.ca/owners)) pour obtenir de l'aide et éviter une intervention de réparation.

Si les problèmes suivants surviennent	Causes possibles	Solution
<b>Le programme de lavage ne fonctionne pas comme prévu (suite)</b>		
Blanc grisâtre, couleurs défraîchies	La charge n'a pas été correctement triée.	Le transfert de teinture peut se produire lors du mélange d'articles blancs et de couleur dans une même charge. Séparer les articles de teinte foncée des articles blancs ou clairs.
	Les températures de lavage sont trop basses.	Utiliser les températures chaude ou tiède si celle-ci est sans danger pour la charge. S'assurer que le système d'eau chaude est adéquat pour fournir un lavage à l'eau chaude.
	Quantité de détergent utilisée insuffisante ou eau dure.	Utiliser plus de détergent pour laver des articles très sales à l'eau froide ou dure.
Fonctionnement incorrect du distributeur	Distributeurs obstrués ou produits de lessive distribués trop tôt.	Ne pas remplir excessivement le distributeur. Un remplissage excessif peut entraîner une distribution immédiate.
		Remplir les distributeurs avant de démarrer un programme.
		Pour les domiciles présentant une basse pression d'eau, il est possible qu'il reste de la poudre dans le distributeur. Pour éviter cela, sélectionner une température de lavage plus chaude (si possible - en fonction de la charge).
	L'eau de Javel n'a pas été versée dans le compartiment pour eau de Javel.	Utiliser seulement de l'eau de Javel dans le compartiment pour eau de Javel.
	Il reste de l'eau dans le distributeur une fois le programme terminé.	Il est normal qu'il reste de petites quantités d'eau dans le distributeur une fois le programme terminé.
Le sachet de lessive à dose unique ne se dissout pas	Sachet de lessive mal utilisé.	Veiller à placer le sachet de lessive dans le tambour de la laveuse avant d'ajouter les vêtements. Ne pas placer de sachet dans le distributeur. Suivre les instructions du fabricant pour éviter d'endommager les vêtements.
La durée du programme varie ou la durée du programme est trop longue	Fonctionnement normal de la laveuse.	Les durées de programme varient automatiquement en fonction de la pression et de la température de l'eau, du détergent et de la charge de vêtements. Les options sélectionnées affecteront également les durées du programme.
	Il y a trop de mousse dans la laveuse.	Lorsqu'un excès de mousse est détecté, une procédure spéciale contre la mousse se met en marche automatiquement pour éliminer l'excès de mousse et assurer un rinçage efficace pour les vêtements. Cette procédure prolonge la durée initiale du programme.
	La charge est peut-être déséquilibrée.	En cas de déséquilibre de la charge, un processus de lavage est lancé pour répartir à nouveau la charge. Ceci prolonge la durée du programme. Éviter de laver un article seul. Compenser le poids d'un article seul tel qu'un tapis ou une veste en jeans par quelques articles supplémentaires pour équilibrer le tout.
	Programme utilisé incorrect par rapport au type de tissu.	Une sélection d'un programme dans la partie What to Wash (articles à laver) jumelé avec le programme "Quick" (rapide) dans la partie How to Wash (méthode de lavage) est conçue pour des charges plus petites (2 à 4 articles) de vêtements légèrement sales.  Lors de l'utilisation d'un programme de la partie What to Wash (articles à laver) jumelé avec le programme "Quick" (rapide) ou "Delicates" (articles délicats) de la partie How to Wash (méthode de lavage), ne laver que de petites charges. Ceci garantit un lavage en douceur des vêtements sans pour autant prolonger le programme.

# DÉPANNAGE

Essayer d'abord les solutions suggérées ici ou consulter notre site Web [www.whirlpool.com/owners](http://www.whirlpool.com/owners) (au Canada [www.whirlpool.ca/owners](http://www.whirlpool.ca/owners)) pour obtenir de l'aide et éviter une intervention de réparation.

Si les problèmes suivants surviennent	Causes possibles	Solution
<b>Fonctionnement de séchage</b>		
Le programme de séchage ne fonctionne pas	La porte n'est pas bien fermée.	S'assurer que la porte de la laveuse est complètement fermée.
	Le bouton de mise en marche/pause n'est pas enfoncé.	Appuyer fermement sur le bouton de MISE EN MARCHÉ/PAUSE.
	Le filtre de la pompe de vidange n'est pas en place ou est obstrué.	Nettoyer le filtre de la pompe de vidange. Voir la section "Nettoyage du filtre de la pompe de vidange/drainage de l'eau résiduelle." Remettre le filtre de la pompe de vidange en place dans la laveuse et s'assurer qu'il est bien placé.
	Un fusible du domicile est grillé ou le disjoncteur est ouvert.	Il peut y avoir deux fusibles ou disjoncteurs domestiques pour la laveuse. Vérifier que les deux fusibles sont intacts et bien en place ou que les deux disjoncteurs ne se sont pas déclenchés. Remplacer les fusibles ou réarmer le disjoncteur. Si le problème persiste, appeler un électricien.
	Alimentation électrique incorrecte.	Les sècheuses électriques nécessitent une alimentation électrique de 240 V. Vérifier auprès d'un électricien qualifié.
	Type de fusible incorrect.	Utiliser un fusible temporisé.
	L'appareil n'est pas raccordé à une alimentation en eau et le robinet d'arrêt est fermé.	Raccorder l'alimentation en eau à la laveuse et ouvrir le robinet. Le programme de séchage ne fonctionne pas si l'alimentation en eau n'est pas raccordée et si le robinet n'est pas ouvert.
Programme de séchage non sélectionné.	Sélectionner la fonction de séchage (voir l'étape 10 dans la section "Utilisation de la laveuse").	
<b>Sons inhabituels</b>		
Bruit de grattement ou de vibration	Un petit objet est coincé dans le bord du tambour.	Vérifier qu'il n'y a pas de petits objets coincés dans les rebords avant et arrière du tambour. Vider les poches avant le lavage.
	L'aplomb de la laveuse n'a pas été correctement établi.	La laveuse peut vibrer si elle n'est pas correctement installée. Voir les Instructions d'installation. Les quatre pieds de nivellement de la laveuse doivent être bien en contact avec le plancher.
	Les vêtements sont en boule dans la laveuse.	Une charge en boule rebondit, ce qui fait vibrer la laveuse. Séparer les articles dans la charge et remettre la laveuse en marche.
Ronflement bruyant ou bruit de plus en plus fort durant le programme	La charge est trop tassée.	Charger le tambour à moitié ou moins pour améliorer le rendement de séchage.
<b>Résultats de séchage</b>		
Les vêtements ne sèchent pas de manière satisfaisante ou le temps de séchage est trop long	La charge est trop grosse et trop lourde pour sécher rapidement.	Séparer la charge pour qu'elle culbute librement. Remplir le tambour à moitié ou moins améliorera le rendement de séchage et réduira la durée du programme. Faire fonctionner un programme d'essorage à grande vitesse.
Charpie sur la charge	La zone sous le joint de la porte est obstruée par de la charpie.	Retirer doucement le joint de porte en caoutchouc et nettoyer la charpie avec le côté texturé d'une lingette de nettoyage pour laveuse affresh®.
	Le filtre de la pompe de vidange est obstrué par de la charpie.	Nettoyer le filtre de la pompe de vidange. Voir la section "Nettoyage du filtre de la pompe de vidange/drainage de l'eau résiduelle." La procédure devrait être effectuée de temps en temps.
Les charges séchées sont froissées	La charge n'a pas été retirée de la laveuse à la fin du programme séchage.	Retirer immédiatement les vêtements à la fin du programme de séchage ou utiliser l'option Wrinkle Shield™ (voir la section "Utilisation de la laveuse").
	Les vêtements sont tassés dans la laveuse.	Faire sécher de plus petites charges qui peuvent culbuter librement. Remplir le tambour à moitié ou moins améliorera le rendement de séchage et réduira la durée du programme. Les résultats peuvent varier selon le type de tissu.
Charge trop chaude	La charge a été retirée avant que la portion de refroidissement du programme ne soit terminée.	Laisser le programme de séchage terminer la portion de refroidissement du programme avant d'enlever la charge. La charge sera très chaude si le programme est annulé et que la charge est retirée avant la portion de refroidissement.

# DÉPANNAGE

Essayer d'abord les solutions suggérées ici ou consulter notre site Web [www.whirlpool.com/owners](http://www.whirlpool.com/owners) (au Canada [www.whirlpool.ca/owners](http://www.whirlpool.ca/owners)) pour obtenir de l'aide et éviter une intervention de réparation.

Si les problèmes suivants surviennent	Causes possibles	Solution
<b>Un code d'erreur apparaît sur l'affichage</b>		
Une fois que tout problème éventuel a été résolu, toucher le bouton INTERRUPTEUR pour effacer le code. Sélectionner à nouveau et remettre le programme en marche.		
F0E1 Une charge est détectée pendant le programme Clean Washer with affresh® (nettoyage de la laveuse avec affresh®)	Des articles sont détectés dans la laveuse/sécheuse pendant le programme Clean Washer with affresh® (nettoyage de la laveuse avec affresh®).	Retirer la charge et remettre en marche le programme Clean Washer with affresh®.
F0E2 Détection d'une trop grande quantité de mousse	Il y a trop de mousse dans la laveuse. La laveuse exécute une procédure de réduction de la quantité de mousse. Laisser le programme de lavage se poursuivre.	Utiliser uniquement un détergent HE.
F0E5 (OB) Détection d'une charge déséquilibrée	La charge est peut-être déséquilibrée ou de trop grande taille.	Éviter de tasser le linge dans la laveuse. Éviter de laver un article seul. Compenser un article seul comme un tapis, un jeans ou une veste avec quelques articles supplémentaires pour équilibrer le tout.
F1E1 Corruption de la mémoire MCA ou anomalie matérielle/le relais principal du MCA ne peut pas être ouvert ou fermé	Problème détecté de la laveuse.	Essayer de réinitialiser la laveuse en la débranchant de la prise de courant, puis en la rebranchant. En cas d'échec, appeler pour demander une intervention de dépannage.
F1E2 Corruption de la mémoire ou une défaillance matérielle du MCM	Problème détecté de la laveuse.	Essayer de réinitialiser la laveuse en la débranchant de la prise de courant, puis en la rebranchant. En cas d'échec, appeler pour demander une intervention de dépannage.
F3E1 Anomalie du capteur de pression analogique	Problème détecté avec le capteur de pression.	Essayer de réinitialiser la laveuse en la débranchant de la prise de courant, puis en la rebranchant. En cas d'échec, appeler pour demander une intervention de dépannage.
F3E2 Défaillance de lavage NTC	Un circuit est ouvert ou un défaut de court-circuit a été détecté.	Essayer de réinitialiser la laveuse en la débranchant de la prise de courant, puis en la rebranchant. En cas d'échec, appeler pour demander une intervention de dépannage.
F3E5 Anomalie de décharge NTC	Un circuit est ouvert ou un défaut de court-circuit a été détecté. La fonction de lavage fonctionne toujours, mais la fonction de séchage ne fonctionne pas.	Essayer de réinitialiser la laveuse en la débranchant de la prise de courant, puis en la rebranchant. En cas d'échec, appeler pour demander une intervention de dépannage.
F3E6 Anomalie de l'accéléromètre	Le test automatique de l'accéléromètre a échoué ou une erreur d'orientation s'est produite.	Essayer de réinitialiser la laveuse en la débranchant de la prise de courant, puis en la rebranchant. En cas d'échec, appeler pour demander une intervention de dépannage.
F4E1 Anomalie du relais de chauffage d'eau	Problème détecté avec le circuit de chauffage d'eau. Il y a une erreur du relais de chauffage d'eau ou une erreur de rétroaction.	Essayer de réinitialiser la laveuse en la débranchant de la prise de courant, puis en la rebranchant. En cas d'échec, appeler pour demander une intervention de dépannage.
F4E2 Défaut du circuit du relais du réchauffeur d'eau de lavage	Le relais du réchauffeur d'eau de lavage est détecté comme non fermé.	Faire un appel de service
F4E4 Anomalie du lecteur du ventilateur	Erreur détectée du circuit ouvert du triac du ventilateur de séchage, du court-circuit, du mode diode ou de la rétroaction KO.	Essayer de réinitialiser la laveuse en la débranchant de la prise de courant, puis en la rebranchant. En cas d'échec, appeler pour demander une intervention de dépannage.
F5E1 Anomalie du contacteur de porte	Problème détecté avec le contacteur de porte. La porte est déverrouillée pendant un programme alors qu'elle devrait être verrouillée.	Essayer de réinitialiser la laveuse en la débranchant de la prise de courant, puis en la rebranchant. En cas d'échec, appeler pour demander une intervention de dépannage.
F5E2 La porte ne peut pas être verrouillée	Problème détecté avec le verrou de porte.	Essayer de réinitialiser la laveuse en la débranchant de la prise de courant, puis en la rebranchant. En cas d'échec, appeler pour demander une intervention de dépannage.

# DÉPANNAGE

Essayer d'abord les solutions suggérées ici ou consulter notre site Web [www.whirlpool.com/owners](http://www.whirlpool.com/owners) (au Canada [www.whirlpool.ca/owners](http://www.whirlpool.ca/owners)) pour obtenir de l'aide et éviter une intervention de réparation.

Si les problèmes suivants surviennent	Causes possibles	Solution
<b>Un code d'erreur apparaît sur l'affichage (suite)</b>		
Une fois que tout problème éventuel a été résolu, toucher le bouton INTERRUPTEUR pour effacer le code. Sélectionner à nouveau et remettre le programme en marche.		
F5E3 La porte ne peut pas être déverrouillée	Problème détecté avec le verrou de porte.	Essayer de réinitialiser la laveuse en la débranchant de la prise de courant, puis en la rebranchant. En cas d'échec, appeler pour demander une intervention de dépannage.
F5E4 (DR) Porte non ouverte entre deux programmes consécutifs	La porte n'a pas été ouverte entre des programmes consécutifs.	Ouvrir et fermer la porte avant de redémarrer le programme.
F6E1 Communication perdue avec MCM	Problème de communication entre MCA et MCM.	Essayer de réinitialiser la laveuse en la débranchant de la prise de courant, puis en la rebranchant. En cas d'échec, appeler pour demander une intervention de dépannage.
F6E2 Communication perdue avec MCA	Communication manquante de MCA vers IHM	Essayer de réinitialiser la laveuse en la débranchant de la prise de courant, puis en la rebranchant. En cas d'échec, appeler pour demander une intervention de dépannage.
F6E3 Communication perdue avec IHM	Communication manquante de IHM vers IHM	Essayer de réinitialiser la laveuse en la débranchant de la prise de courant, puis en la rebranchant. En cas d'échec, appeler pour demander une intervention de dépannage.
F7E2 Surchauffe de la commande du moteur ou anomalie de surintensité ou anomalie d'entraînement du moteur/module de commande du moteur/bus CC commande du moteur	Problème détecté – surchauffe ou surintensité de la commande du moteur Anomalie interne de MCI, erreur de moteur conçu par le développeur MCM ou bus CC MCI sous-tension.	Essayer de réinitialiser la laveuse en la débranchant de la prise de courant, puis en la rebranchant. En cas d'échec, appeler pour demander une intervention de dépannage.
F7E8 Erreur de température maximale du moteur	Surchauffe du moteur détecté.	Essayer de réinitialiser la laveuse en la débranchant de la prise de courant, puis en la rebranchant. En cas d'échec, appeler pour demander une intervention de dépannage.
F7E9 Rotor verrouillé	Rotor verrouillé du MCI détecté.	Essayer de réinitialiser la laveuse en la débranchant de la prise de courant, puis en la rebranchant. En cas d'échec, appeler pour demander une intervention de dépannage.
F7EA Erreur de phase perdue	Erreur de phase du moteur MCI détectée.	Essayer de réinitialiser la laveuse en la débranchant de la prise de courant, puis en la rebranchant. En cas d'échec, appeler pour demander une intervention de dépannage.
F7EC Erreur de surcharge	Surcharge du moteur MCI détectée.	Essayer de réinitialiser la laveuse en la débranchant de la prise de courant, puis en la rebranchant. En cas d'échec, appeler pour demander une intervention de dépannage.
F8E1 Aucun débit d'eau détecté/interruption de remplissage d'eau	La laveuse peut ne pas être raccordée à l'alimentation d'eau du domicile. Les robinets d'arrivée d'eau du domicile peuvent être fermés. Les tuyaux d'arrivée d'eau à la laveuse peuvent être pliés. Les valves d'arrivée d'eau à la laveuse peuvent être défectueuses.	Vérifier que la laveuse est raccordée à l'alimentation en eau froide de la maison et que le robinet d'alimentation de la maison est ouvert. Vérifier que le tuyau d'arrivée d'eau à la laveuse n'est pas plié. Si le problème persiste, faire un appel de service.
F8E3 Débordement d'eau détecté/trop-plein ne peut pas se vider	Fuites des valves d'arrivée d'eau à l'intérieur de la laveuse – la laveuse ne peut pas se vider lors d'un débordement.	Appeler pour demander une intervention de dépannage.
F9E1 Dépassement du délai de vidange/défaillance de la pompe de vidange	Le filtre de la pompe de vidange de la laveuse peut avoir besoin d'être nettoyé. Les trous de vidange sous la laveuse peuvent être obstrués. Le tuyau de vidange de la laveuse ou le drain de la maison peuvent être obstrués. La pompe de vidange de la laveuse peut être défectueuse.	Nettoyer le filtre de la pompe de vidange de la laveuse. Vérifier si les trous de vidange sous la laveuse sont obstrués. Vérifier si le tuyau de vidange de la laveuse et le drain de la maison sont obstrués. Si le problème persiste, faire un appel de service.
FCE1 Erreur Wi-Fi	L'IHM ne peut pas communiquer avec le module Wi-Fi.	Appeler pour demander une intervention de dépannage.

# Avis d'application de la réglementation de la connexion des électroménagers

## Déclaration de conformité de la Commission fédérale des communications (FCC)

Cet appareil a été testé et déclaré conforme aux limites pour appareils numériques de classe B, selon la partie 15 des règlements de la FCC (Federal Communications Commission). Ces limites sont conçues dans le but d'assurer une protection raisonnable contre des interférences nuisibles dans une installation résidentielle. Cet appareil génère, utilise et peut émettre l'énergie de fréquence radio et, s'il n'est pas installé ni utilisé conformément aux instructions, peut causer des interférences nuisibles aux communications radio. Cependant, il se peut que des interférences se produisent dans une installation particulière. Si cet appareil cause des interférences nuisibles à la réception radio ou télévision, pouvant être déterminées par le fait d'allumer et d'éteindre l'appareil, l'utilisateur est encouragé à essayer de corriger les interférences en suivant l'un ou plusieurs des conseils suivants :

- Réorienter ou déplacer l'antenne de réception.
- Augmenter la distance séparant l'appareil du récepteur.
- Brancher l'appareil sur un circuit différent de celui où le récepteur est branché.
- Contacter un revendeur ou un technicien radio/télévision qualifié pour obtenir de l'aide.

Cet appareil est conforme à la norme FCC, partie 15. Le bon fonctionnement de l'appareil est fonction de deux conditions :

1. Cet appareil ne doit pas produire de brouillage dommageable et
2. Cet appareil doit accepter tout brouillage radioélectrique subi, même si le brouillage est susceptible d'en compromettre le fonctionnement.

Tous changements ou modifications n'ayant pas été expressément approuvés par la partie responsable de la conformité pourraient annuler l'autorité de l'utilisateur à utiliser l'appareil.

## Renseignements sur l'exposition aux radiofréquences (RF)

Pour satisfaire aux exigences de la FCC et IC d'exposition pour les appareils de transmission mobiles, cet émetteur ne devrait être qu'utilisé ou installé dans un lieu séparant l'antenne et toutes les personnes par 20 cm ou plus.

Pour satisfaire aux exigences de la FCC et IC de limite d'exposition pour la population générale/incontrôlée, l'antenne utilisée avec cet émetteur doit être installée à une distance de 20 cm ou plus de toute personne et ne doit pas être co-utilisée ou fonctionner en même temps qu'une autre antenne ou qu'un émetteur.

## Déclaration de conformité d'Industrie Canada (IC)

Cet appareil satisfait aux prescriptions des documents CNR/RSS d'Industrie Canada (utilisation sans licence). Le bon fonctionnement de l'appareil est fonction de deux conditions :

1. Cet appareil ne doit pas produire de brouillage ;
2. Cet appareil doit être compatible avec n'importe quelle interférence, y compris des interférences causées par l'utilisation involontaire de l'appareil.

En vertu des règlements d'Industrie Canada, cet émetteur radio ne peut fonctionner qu'à l'aide d'une antenne d'un type et de gain maximum (ou moins) approuvé pour l'émetteur par Industrie Canada. Pour réduire les interférences radio potentielles pour les autres utilisateurs, le type d'antenne et son gain doivent être choisis de sorte que la puissance isotrope rayonnée équivalente (PIRE) ne dépasse pas ce qui est nécessaire pour une communication réussie.

Cet émetteur radio IC : 10248A-XPWG3 a été approuvé par Industrie Canada pour fonctionner avec les types d'antennes énumérés ci-dessous avec le gain maximal admissible et l'impédance d'antenne requise pour chaque type d'antenne indiqué. Les types d'antennes non inclus dans cette liste, ayant un gain supérieur au gain maximum indiqué pour ce type, sont strictement interdits pour une utilisation avec cet appareil.

Type d'antenne	Gain maximum d'antenne admissible (dBi)	Impédance requise (OHM)
Encoche	1,76	50

Pour satisfaire aux exigences de la FCC et d'Industrie Canada sur les l'exposition aux radiations de radiodiffusion, les antennes utilisées avec cet émetteur doivent être installées de telle sorte qu'il y ait une distance de 20 cm ou plus séparant la source de radiation (antenne) et toute personne en tout temps et ne doit pas être co-utilisée ou fonctionner en même temps qu'une autre antenne ou qu'un émetteur.

## Responsabilités du FEO à satisfaire aux règlements de la FCC et d'Industrie Canada.

Le module XPWG3 des produits est certifié seulement si l'intégration par le FEO respecte les conditions suivantes :

1. Les antennes doivent être installées de telle sorte qu'il y ait une distance de 20 cm ou plus entre la radiation (antenne) et toutes les personnes en tout temps.
2. L'émetteur ne doit pas être colocalisé en conjonction avec toute autre antenne ou tout émetteur.

Aucune évaluation supplémentaire d'émission n'est requise si les deux conditions précédentes sont respectées. Cependant, le FEO intégrateur demeure responsable du contrôle de ses produits pour répondre aux exigences supplémentaires concernant ce module (par exemple, émissions d'appareil numérique, exigences périphériques d'un ordinateur personnel, etc.).

**REMARQUE IMPORTANTE :** Lorsque ces conditions ne peuvent être respectées (pour certaines configurations ou colocalisations avec un autre émetteur), les autorisations de la FCC et d'Industrie Canada ne sont plus considérées valides et les numéros de certification ID et IC de la FCC ne peuvent pas être utilisés sur le produit. Dans ces circonstances, le FEO intégrateur sera responsable de réévaluer le produit (incluant l'émetteur) et d'obtenir une autorisation séparée de la FCC et d'Industrie Canada.

## Étiquette de produit

L'étiquette du module XPWG3 est munie des numéros de certifications ID et IC de la FCC. Si les numéros de certifications ID et IC de la FCC ne sont pas visibles lorsque le module est installé dans un autre appareil, l'extérieur de l'appareil dans lequel le module est installé doit aussi afficher une étiquette de référence pour le module. Dans cette situation, le produit final doit posséder une étiquette visible contenant les renseignements suivants :

**“Contient un émetteur FCC ID : A5UXPWG3”**

**“Contient un émetteur IC : 10248A-XPWG3”**

ou

**“Contient FCC ID : A5UXPWG3”**

**“Contient IC : 10248A-XPWG3”**

Le FEO du module XPWG3 ne doit utiliser que les antennes approuvées et certifiées pour ce module. Le FEO intégrateur ne doit pas fournir les renseignements à l'utilisateur final concernant l'installation et le démontage de ce module RF ou les modifications de paramètres RF dans le guide d'utilisation du produit final.

## Le guide d'utilisation du produit doit comprendre les renseignements suivants :

“Pour satisfaire aux exigences de la FCC et d'Industrie Canada sur les l'exposition aux radiations de radiodiffusion, les antennes utilisées avec cet émetteur doivent être installées de telle sorte qu'il y ait une distance de 20 cm ou plus séparant la source de radiation (antenne) et toute personne en tout temps et ne doit pas être co-utilisée ou fonctionner en même temps qu'une autre antenne ou qu'un émetteur”.

# Avis d'application de la réglementation de la connexion des électroménagers (suite)

## Utilisation de la licence de source ouverte

Les déclarations suivantes concernent les parties de ce logiciel selon FreeRTOS v7.0.2, <http://www.freertos.org>.

L'utilisation de ce logiciel est assujettie aux conditions de la licence publique générale GNU v. 2, disponible au : <http://www.gnu.org/licenses/gpl-2.0.html>. Une copie du code source peut être obtenue en effectuant une demande pour obtenir le logiciel à [opensource@whirlpool.com](mailto:opensource@whirlpool.com) et en indiquant l'adresse de retour.

La déclaration suivante concerne les parties du logiciel protégées par des droits d'auteur par Eclipse Foundation, Inc. Copyright (c) 2007, Eclipse Foundation, Inc. et ses concédants. Tous droits réservés.

La redistribution et l'utilisation en formats source et binaire, avec ou sans modification, sont permises si les conditions suivantes sont respectées :

- La redistribution du code source doit comporter la mention de protection par droits d'auteur, cette liste de conditions et l'avis de non-responsabilité suivante.
- La redistribution en format binaire doit comporter la mention de protection par droits d'auteur, cette liste de conditions et l'avis de non-responsabilité suivante dans sa documentation ou le matériel fourni pendant la distribution.
- Ni le nom Eclipse Foundation, Inc. ou les noms de ses collaborateurs peuvent être utilisés pour approuver ou promouvoir les produits dérivés du logiciel sans une autorisation écrite préalable.

CE LOGICIEL EST FOURNI PAR LES DÉTENTEURS DU DROIT D'AUTEUR ET SES COLLABORATEURS "EN L'ÉTAT" SANS QU'AUCUNE GARANTIE D'AUCUNE SORTE, IMPLICITE OU EXPLICITE, N'Y SOIT RATTACHÉE Y COMPRIS, SANS S'Y LIMITER, LES GARANTIES IMPLICITES DE QUALITÉ MARCHANDE ET D'ADÉQUATION À UNE UTILISATION PARTICULIÈRE. EN AUCUN CAS, LE TITULAIRE DES DROITS D'AUTEUR OU LES COLLABORATEURS NE PEUVENT ÊTRE TENUS RESPONSABLES D'UN QUELCONQUE DOMMAGE DIRECT, INDIRECT, ACCESSOIRE, PARTICULIER, EXEMPLAIRE OU CONSÉCUTIF (Y COMPRIS, MAIS SANS S'Y LIMITER, L'ACQUISITION DE PRODUITS OU SERVICES DE SUBSTITUTION ; LA PERTE DE JOUISSANCE, DE DONNÉES OU DE BÉNÉFICES ; OU LES PERTES D'EXPLOITATION) QUELLES QU'EN SOIENT LES CAUSES ET QUEL QUE SOIT LE TYPE DE RESPONSABILITÉ, CONTRACTUELLE, SANS FAUTE OU FONDÉE SUR UN DÉLIT CIVIL (Y COMPRIS PAR NÉGLIGENCE OU POUR UNE AUTRE CAUSE) RÉSULTANT D'UNE MANIÈRE OU D'UNE AUTRE DE L'UTILISATION DE CE LOGICIEL, MÊME SI MENTION A ÉTÉ FAITE DE LA POSSIBILITÉ DE TELS DOMMAGES.

Des parties de ce logiciel sont protégées par des droits d'auteur (c) de Sawtooth Consulting Ltd. 2006-2015 tous droits réservés.

Des parties de ce logiciel sont protégées par des droits d'auteur (c) Arrayent, Inc. 2015 tous droits réservés.

Les déclarations suivantes concernent les parties de ce logiciel protégées par droits d'auteur de Swedish Institute of Computer Science.

Tous droits réservés (c) 2001-2004 Swedish Institute of Computer Science. Tous droits réservés.

La redistribution et l'utilisation en formats source et binaire, avec ou sans modification, sont permises si les conditions suivantes sont respectées :

1. La redistribution du code source doit être accompagnée de la mention de protection par droits d'auteur précédente, de cette liste de conditions et de l'avis de non-responsabilité suivante.
2. La redistribution en format binaire doit comporter la mention de protection par droits d'auteur précédente, cette liste de conditions et l'avis de non-responsabilité suivante dans sa documentation ou le matériel fourni pendant la distribution.
3. Le nom de l'auteur ne doit pas être utilisé pour approuver ou promouvoir les produits dérivés de ce logiciel sans avoir précédemment obtenu une autorisation écrite.

CE LOGICIEL EST FOURNI PAR L'AUTEUR "EN L'ÉTAT" SANS QU'AUCUNE GARANTIE D'AUCUNE SORTE, IMPLICITE OU EXPLICITE, N'Y SOIT RATTACHÉE Y COMPRIS, SANS S'Y LIMITER, LES GARANTIES IMPLICITES DE QUALITÉ MARCHANDE ET D'ADÉQUATION À UNE UTILISATION PARTICULIÈRE. EN AUCUN CAS, L'AUTEUR NE PEUT ÊTRE TENU RESPONSABLE D'UN QUELCONQUE DOMMAGE DIRECT, INDIRECT, ACCESSOIRE, PARTICULIER, EXEMPLAIRE OU CONSÉCUTIF (Y COMPRIS, MAIS SANS S'Y LIMITER, L'ACQUISITION DE PRODUITS OU SERVICES DE SUBSTITUTION ; LA PERTE DE JOUISSANCE, DE DONNÉES OU DE BÉNÉFICES ; OU LES PERTES D'EXPLOITATION) QUELLES QU'EN SOIENT LES CAUSES ET QUEL QUE SOIT LE TYPE DE RESPONSABILITÉ, CONTRACTUELLE, SANS FAUTE OU FONDÉE SUR UN DÉLIT CIVIL (Y COMPRIS PAR NÉGLIGENCE OU POUR UNE AUTRE CAUSE) RÉSULTANT D'UNE MANIÈRE OU D'UNE AUTRE DE L'UTILISATION DE CE LOGICIEL, MÊME SI MENTION A ÉTÉ FAITE DE LA POSSIBILITÉ DE TELS DOMMAGES.

Cette déclaration concerne les parties du logiciel sous droits d'auteur par Marvell International Ltd Droits d'auteur (c) Marvell International Ltd. Tous droits réservés.

AVIS DE NON-RESPONSABILITÉ. CE LOGICIEL EST FOURNI PAR LES DÉTENTEURS DU DROIT D'AUTEUR ET SES COLLABORATEURS "EN L'ÉTAT" SANS QU'AUCUNE GARANTIE D'AUCUNE SORTE, IMPLICITE OU EXPLICITE, N'Y SOIT RATTACHÉE Y COMPRIS, SANS S'Y LIMITER, LES GARANTIES IMPLICITES DE QUALITÉ MARCHANDE ET D'ADÉQUATION À UNE UTILISATION PARTICULIÈRE. EN AUCUN CAS, LE TITULAIRE DES DROITS D'AUTEUR OU LES COLLABORATEURS NE PEUVENT ÊTRE TENUS RESPONSABLES D'UN QUELCONQUE DOMMAGE DIRECT, INDIRECT, ACCESSOIRE, PARTICULIER, EXEMPLAIRE OU CONSÉCUTIF (Y COMPRIS, MAIS SANS S'Y LIMITER, L'ACQUISITION DE PRODUITS OU SERVICES DE SUBSTITUTION ; LA PERTE DE JOUISSANCE, DE DONNÉES OU DE BÉNÉFICES ; OU LES PERTES D'EXPLOITATION) QUELLES QU'EN SOIENT LES CAUSES ET QUEL QUE SOIT LE TYPE DE RESPONSABILITÉ, CONTRACTUELLE, SANS FAUTE OU FONDÉE SUR UN DÉLIT CIVIL (Y COMPRIS PAR NÉGLIGENCE OU POUR UNE AUTRE CAUSE) RÉSULTANT D'UNE MANIÈRE OU D'UNE AUTRE DE L'UTILISATION DE CE LOGICIEL, MÊME SI MENTION A ÉTÉ FAITE DE LA POSSIBILITÉ DE TELS DOMMAGES.

# GARANTIE DES APPAREILS DE BUANDERIE WHIRLPOOL®

ATTACHEZ ICI VOTRE REÇU DE VENTE. UNE PREUVE D'ACHAT EST OBLIGATOIRE POUR OBTENIR L'APPLICATION DE LA GARANTIE.

Lorsque vous appelez le centre d'eXpérience de la clientèle, veuillez garder à disposition les renseignements suivants :

- Nom, adresse et numéro de téléphone
- Numéros de modèle et de série
- Une description claire et détaillée du problème rencontré
- Une preuve d'achat incluant le nom et l'adresse du marchand ou du détaillant

## SI VOUS AVEZ BESOIN DE SERVICE :

1. Avant de nous contacter pour obtenir un dépannage, veuillez déterminer si des réparations sont nécessaires pour votre produit. Certains problèmes peuvent être résolus sans intervention de dépannage. Prenez quelques minutes pour parcourir la section Dépannage du guide d'utilisation et d'entretien ou rendez-vous sur le site [https://www.whirlpool.ca/fr\\_ca/owners.html](https://www.whirlpool.ca/fr_ca/owners.html).
2. Tout service sous garantie doit être effectué exclusivement par nos fournisseurs de dépannage autorisés Whirlpool.  
Aux É.-U. et au Canada, dirigez toutes vos demandes de service sous garantie au :

### Centre d'eXpérience de la clientèle Whirlpool

**Aux É.-U., composer le 1-866-698-2538. Au Canada, composer le 1-800-807-6777.**

Si vous résidez à l'extérieur du Canada et des 50 États des États-Unis, contactez votre marchand Whirlpool autorisé pour déterminer si une autre garantie s'applique.

## GARANTIE LIMITÉE D'UN AN

### CE QUI EST COUVERT

Pendant un an à compter de la date d'achat, lorsque ce gros appareil ménager est installé, utilisé et entretenu conformément aux instructions jointes à ou fournies avec le produit, Whirlpool Corporation ou Whirlpool Canada LP (ci-après désignées "Whirlpool") décidera à sa seule discrétion de remplacer le produit ou de couvrir le coût des pièces de remplacement spécifiées par l'usine et de la main-d'œuvre nécessaires pour corriger les vices de matériaux ou de fabrication qui existaient déjà lorsque ce gros appareil ménager a été acheté. S'il est remplacé, votre appareil restera sous garantie pour la durée restant à courir de la période de garantie sur le produit d'origine.

LE SEUL ET EXCLUSIF RECOURS DU CLIENT DANS LE CADRE DE LA PRÉSENTE GARANTIE LIMITÉE CONSISTE EN LA RÉPARATION PRÉVUE CI-DESSUS. Le service doit être fourni par une compagnie de service désignée par Whirlpool. Cette garantie limitée est valide uniquement aux États-Unis ou au Canada et s'applique exclusivement lorsque le gros appareil ménager est utilisé dans le pays où il a été acheté. La présente garantie limitée entre en vigueur à compter de la date d'achat initial par le consommateur. Une preuve de la date d'achat d'origine est exigée pour obtenir un service dans le cadre de la présente garantie limitée.

### CE QUI N'EST PAS COUVERT

1. Usage commercial, non résidentiel ou par plusieurs familles, ou non-respect des instructions de l'utilisateur, de l'opérateur ou des instructions d'installation.
2. Visite d'instruction à domicile pour montrer à l'utilisateur comment utiliser l'appareil.
3. Visites de service pour rectifier une installation ou un entretien fautifs du produit, une installation non conforme aux codes d'électricité ou de plomberie, ou la rectification de l'installation électrique ou de la plomberie du domicile (ex : câblage électrique, fusibles ou tuyaux d'arrivée d'eau du domicile).
4. Pièces consommables (ex : ampoules, batteries, filtres à air ou à eau, solutions de conservation).
5. Défauts ou dommage résultant de l'utilisation de pièces ou accessoires Whirlpool non authentiques.
6. Conversion de votre produit du gaz naturel ou du gaz propane, ou inversion des portes de l'appareil.
7. Dommages causés par : accident, mésusage, abus, incendie, inondations, catastrophe naturelle ou l'utilisation de produits non approuvés par Whirlpool.
8. Réparations aux pièces ou systèmes dans le but de rectifier un dommage ou des défauts résultant d'une réparation, d'une altération ou d'une modification non autorisée de l'appareil.
9. Défauts d'apparence, notamment les éraflures, traces de choc, fissures ou tout autre dommage subi par le fini de l'appareil ménager, à moins que ces dommages ne résultent de vices de matériaux ou de fabrication et ne soient signalés à Whirlpool dans les 30 jours.
10. Décoloration, rouille ou oxydation des surfaces résultant d'environnements caustiques ou corrosifs incluant des concentrations élevées de sel, un haut degré d'humidité ou une exposition à des produits chimiques (exemples non exhaustifs).
11. Enlèvement ou livraison. Ce produit est conçu pour être réparé à l'intérieur du domicile.
12. Frais de déplacement et de transport pour le dépannage/la réparation dans une région éloignée où une compagnie de service Whirlpool autorisée n'est pas disponible.
13. Retrait ou réinstallation d'appareils inaccessibles ou de dispositifs préinstallés (ex : garnitures, panneaux décoratifs, plancher, meubles, îlots de cuisine, plans de travail, panneaux de gypse) qui entravent le dépannage, le retrait ou le remplacement du produit.
14. Service et pièces pour des appareils dont les numéros de série et de modèle originaux ont été enlevés, modifiés ou ne peuvent pas être facilement identifiés.

**Le coût d'une réparation ou d'un remplacement dans le cadre de ces circonstances exclues est à la charge du client.**



---

**CLAUSE D'EXONÉRATION DE RESPONSABILITÉ AU TITRE DES GARANTIES IMPLICITES**

LES GARANTIES IMPLICITES, Y COMPRIS LES GARANTIES APPLICABLES DE QUALITÉ MARCHANDE OU D'APTITUDE À UN USAGE PARTICULIER, SONT LIMITÉES À UN AN OU À LA PLUS COURTE PÉRIODE AUTORISÉE PAR LA LOI. Certains États et certaines provinces ne permettent pas de limitation sur la durée de garanties implicites de qualité marchande ou d'aptitude à un usage particulier, de sorte que la limitation ci-dessus peut ne pas être applicable dans votre cas. Cette garantie vous confère des droits juridiques spécifiques, et vous pouvez également jouir d'autres droits qui peuvent varier d'une juridiction à l'autre.

---

**EXONÉRATION DE RESPONSABILITÉ EN DEHORS DE LA GARANTIE**

Whirlpool ne prend aucun engagement quant à la qualité ou la durabilité de l'appareil, ou en cas de dépannage ou de réparation nécessaire sur ce gros appareil ménager, autre que les engagements énoncés dans la présente garantie. Si vous souhaitez une garantie prolongée ou plus complète que la garantie limitée fournie avec ce gros appareil ménager, renseignez-vous auprès de Whirlpool ou de votre détaillant à propos de l'achat d'une extension de garantie.

---

**LIMITATION DES RECOURS; EXCLUSION DES DOMMAGES FORTUITS OU INDIRECTS**

LE SEUL ET EXCLUSIF RECOURS DU CLIENT DANS LE CADRE DE LA PRÉSENTE GARANTIE LIMITÉE CONSISTE EN LA RÉPARATION PRÉVUE CI-DESSUS. WHIRLPOOL N'ASSUME AUCUNE RESPONSABILITÉ POUR LES DOMMAGES FORTUITS OU INDIRECTS. Certains États et certaines provinces ne permettent pas l'exclusion ou la limitation des dommages fortuits ou indirects de sorte que ces limitations et exclusions peuvent ne pas être applicables dans votre cas. Cette garantie vous confère des droits juridiques spécifiques, et vous pouvez également jouir d'autres droits qui peuvent varier d'une juridiction à l'autre.

---

10/17

## Assistance or Service

Before calling for assistance or service, please check "Troubleshooting" or visit [www.whirlpool.com/owners](http://www.whirlpool.com/owners). It may save you the cost of a service call. If you still need help, follow the instructions below.

When calling, please know the purchase date and the complete model and serial number of your appliance. This information will help us to better respond to your request.

---

### If you need replacement parts or to order accessories

We recommend that you use only FSP® Factory Specified Parts. These parts will fit right and work right because they are made with the same precision used to build every new WHIRLPOOL® appliance.

**To locate FSP® replacement parts or accessories, go to [www.whirlpoolparts.com](http://www.whirlpoolparts.com).**

Questions? Call us toll free at **1-866-698-2538** or in Canada call **1-800-688-2002**.

---

### Our consultants provide assistance with

#### In the U.S.A.

- Features and specifications on our full line of appliances.
- Installation information.
- Specialized customer assistance (Spanish speaking, hearing impaired, limited vision, etc.).

#### In the U.S.A. and Canada

- Use and maintenance procedures.
- Accessory and repair parts sales.
- Referrals to local dealers, repair parts distributors, and service companies. Whirlpool designated service technicians are trained to fulfill the product warranty and provide after-warranty service, anywhere in the United States and Canada.

You can write with any questions or concerns at:

Whirlpool Brand Appliances  
Customer eXperience Center  
553 Benson Road  
Benton Harbor, MI 49022-2692  
1-866-698-2538

Whirlpool Brand Appliances  
Customer eXperience Centre  
Unit 200-6750 Century Ave  
Mississauga, Ontario L5N 0B7  
1-800-688-2002

Please include a daytime phone number in your correspondence.

---

## Assistance ou Service

Avant de faire un appel pour obtenir de l'assistance ou un entretien, vérifier la section "Dépannage" ou consulter [www.whirlpool.ca/owners](http://www.whirlpool.ca/owners). Cette vérification peut vous faire économiser le coût d'une visite de réparation.

Si vous avez encore besoin d'aide, suivre les instructions ci-dessous.

Lors d'un appel, garder à portée de main la date d'achat et les numéros de modèle et de série de votre appareil. Ces renseignements nous aideront à mieux répondre à votre demande.

---

### Pour commander des pièces de rechange ou des accessoires

Pour commander des pièces de rechange, nous vous recommandons d'utiliser seulement des pièces spécifiées par l'usine. Ces pièces conviendront et fonctionneront bien parce qu'elles sont fabriquées selon les mêmes spécifications précises utilisées pour construire chaque nouvel appareil WHIRLPOOL®.

**Pour trouver des pièces de rechange FSP® ou des accessoires, visiter le [www.whirlpool.ca](http://www.whirlpool.ca).**

Des questions? Composer le numéro sans frais **1-800-688-2002**.

---

### Nos consultants fournissent l'assistance pour :

- Procédés d'utilisation et d'entretien.
- Vente d'accessoires et de pièces de rechange.
- Références aux concessionnaires, compagnies de service de réparation et distributeurs de pièces de rechange locaux. Les techniciens de service désignés par Whirlpool sont formés pour remplir la garantie des produits et fournir un service après la garantie, partout au Canada.

### Pour plus d'assistance

Vous pouvez nous soumettre toute question ou tout problème en écrivant à l'adresse ci-dessous :

Whirlpool Brand Appliances  
Centre pour l'eXpérience de la clientèle  
Unit 200-6750 Century Ave  
Mississauga, Ontario L5N 0B7  
1-800-688-2002

Dans votre correspondance, veuillez indiquer un numéro de téléphone où nous pouvons vous joindre dans la journée.

---