

## Dishwashers

FBD2400K S/W/B

24" Built-In



### Product Dimensions

|                        |               |
|------------------------|---------------|
| Height (Adjustable)    | 33-1/2" - 35" |
| Width                  | 24"           |
| Depth (Including Door) | 25"           |

### More Easy-To-Use Features

**Energy Saver Dry Option**  
No heat dry option.

**Low-Rinse Aid Indicator Light**

### Mechanical Controls

Available in:



Stainless  
(S)



White  
(W)



Black  
(B)

## Signature Features

### Fits up to 12 Place Settings

Cleans 12 place settings in one cycle.

### Polymer Tub

Supports the drying process, keeping dishes dry the first time.

### Built with American Pride

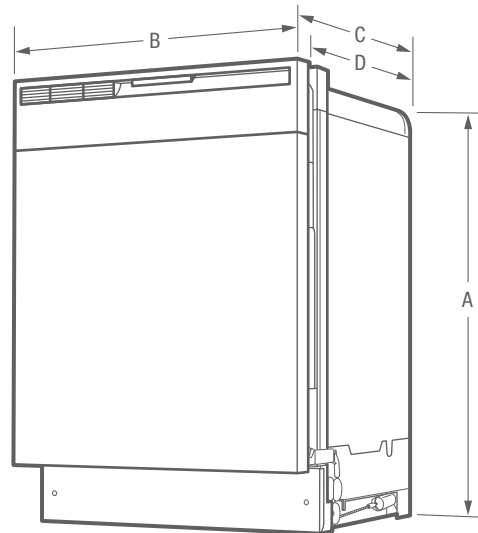
Designed, engineered and assembled in the U.S.A.

### Filtration

Removable, self-cleaning filter.

| Features                                |                    |
|---|--------------------|
| Control Design                          | Mechanical         |
| Digital Display                         |                    |
| Door Latch                              | Squeeze Latch      |
| Stay-Put Door Hinge Design              |                    |
| Low Rinse-Aid Indicator Light           | Yes                |
| Interior Design                         | Tall Tub           |
| Interior Color                          | White              |
| Wash System                             | Tower Wash         |
| Wash Levels/Wash Speeds                 | 2/1                |
| Sound Package                           | UltraQuiet™        |
| Filter                                  | Plastic            |
| Filter Trap                             | Removable          |
| Soft Food Disposer                      | Yes                |
| dB Level                                | 62                 |
| Drying System                           | Static             |
| Cycles                                  |                    |
| Number of Cycles                        | 2                  |
| Heavy                                   | Yes                |
| Normal                                  | Yes                |
| Light                                   |                    |
| Delicate                                |                    |
| Favorite                                |                    |
| China/Crystal                           |                    |
| Rinse Only                              |                    |
| Energy Saver Plus                       |                    |
| Upper Rack Wash Only                    |                    |
| Cycle Indicator Light                   |                    |
| Control Lock                            |                    |
| Options                                 |                    |
| Heat/No Heat Dry                        | Yes                |
| Hi-Temp Wash                            |                    |
| NSF® Certified Sanitize Rinse           |                    |
| Delay Start                             |                    |
| Rack System                             |                    |
| Rack Design/Rack Coating                | Standard/PVC       |
| Upper Rack -                            |                    |
| Stemware/Champagne Glass Holders        |                    |
| Fold-Down Tines                         |                    |
| Cup Shelves                             |                    |
| Lower Rack -                            |                    |
| SpaceWise® Silverware Basket            | Standard           |
| Fold-Down Tines                         |                    |
| Small Items Cover                       |                    |
| Specifications                          |                    |
| Water Inlet Location                    | Left Bottom Front  |
| Water Usage (Gallons)                   | 7.2                |
| Water Pressure (PSI)                    | 20 - 120           |
| Integral Air Gap on Supply              | Yes                |
| Leveling Legs                           | 4                  |
| Power Supply Connection Location        | Right Bottom Front |
| Voltage Rating                          | 120V / 60 Hz / 15A |
| Connected Load (kW Rating) @ 120 Volts¹ | 1.44               |
| Amps @ 120 Volts                        | 10                 |
| Shipping Weight (Approx.)               | 83 Lbs.            |

¹For use on adequately wired 120V, dedicated circuit having 2-wire service with a separate ground wire. Appliance must be grounded for safe operation.



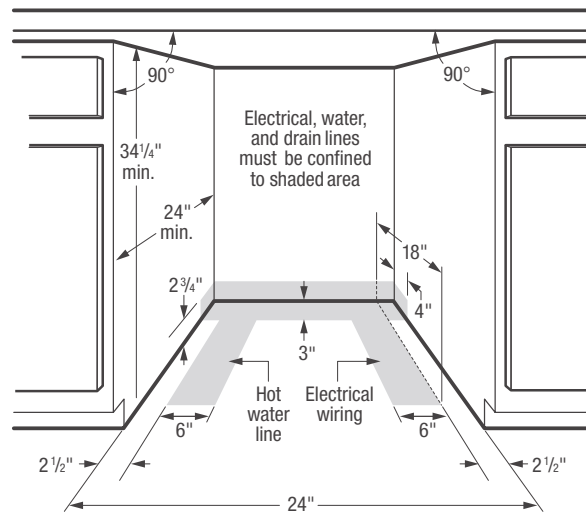
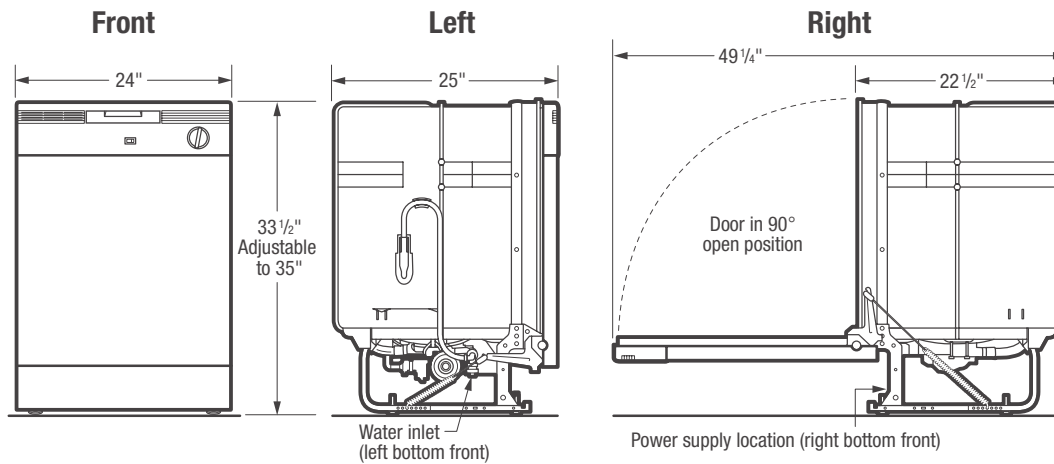
NOTE: For planning purposes only. Always consult local and national electric and plumbing codes. Refer to Product Installation Guide for detailed installation instructions on the web at [frigidaire.com](http://frigidaire.com).



Meets requirements of ASSE 1006

| Product Dimensions         |               | Cutout Dimensions |         |
|----------------------------|---------------|-------------------|---------|
| A - Height (Adjustable)    | 33-1/2" - 35" | Height (Min.)     | 34-1/4" |
| B - Width                  | 24"           | Height (Max.)     | 35"     |
| C - Depth (Including Door) | 25"           | Width (Min.)      | 24"     |
| D - Depth (To Tub Flange)  | 22-1/2"       | Depth (Min.)      | 24"     |
| Depth with Door Open 90°   | 49-1/4"       |                   |         |

Accessories information available on the web at [frigidaire.com](http://frigidaire.com)



**Dishwasher Specifications**

- Product Shipping Weight (approx.) - 83 Lbs.
- Voltage Rating - 120V / 60 Hz / 15 Amps (maximum 20 Amps if connected with disposer)
- Connected Load (kW Rating) @ 120 Volts = 1.44 kW (For use on adequately wired 120V, dedicated circuit having 2-wire service with a separate ground wire. Appliance must be grounded for safe operation.)
- Amps @ 120V = 10 Amps
- Always consult local and national electric & plumbing codes. Meets requirements of ASSE 1006 – integral air gap on supply.
- Water Pressure - Hot water line to dishwasher must provide between 20 and 120 pounds per square inch (psi).
- Make sure location has right drain, water and electrical outlets to make connections.

- Keep back free of drain, water & electrical supply.
- Electrical and water supplies should enter cabinet opening on floor, or through back or side walls, as shown in shaded areas.
- Connections preferably located toward left side of dishwasher. Do not cross drain, water or electrical lines in front of motor, blower or frame.
- When installing adjacent to wall, cabinet or other obstruction that extends beyond front edge of unit, allow 2" minimum clearance between opened door and obstruction.
- When installing at end of cabinet line, sides must be fully enclosed.
- Do not install unit under a cooktop, damage will occur.

**Note:** For planning purposes only. Refer to Product Installation Guide on the web at [frigidaire.com](http://frigidaire.com) for detailed instructions.