



Electrolux

Factory Parts Catalog

Product No.	E30MO65GSSC
Market	North America
Color	black/stainless
Volts	120
Watts	900
Wiring Diagram	5995678538
Owner's Guide	TINSEB471MRR1
Installation Instructions	TINSEB472MRR0

 **Electrolux**

Electrolux Major Appliances

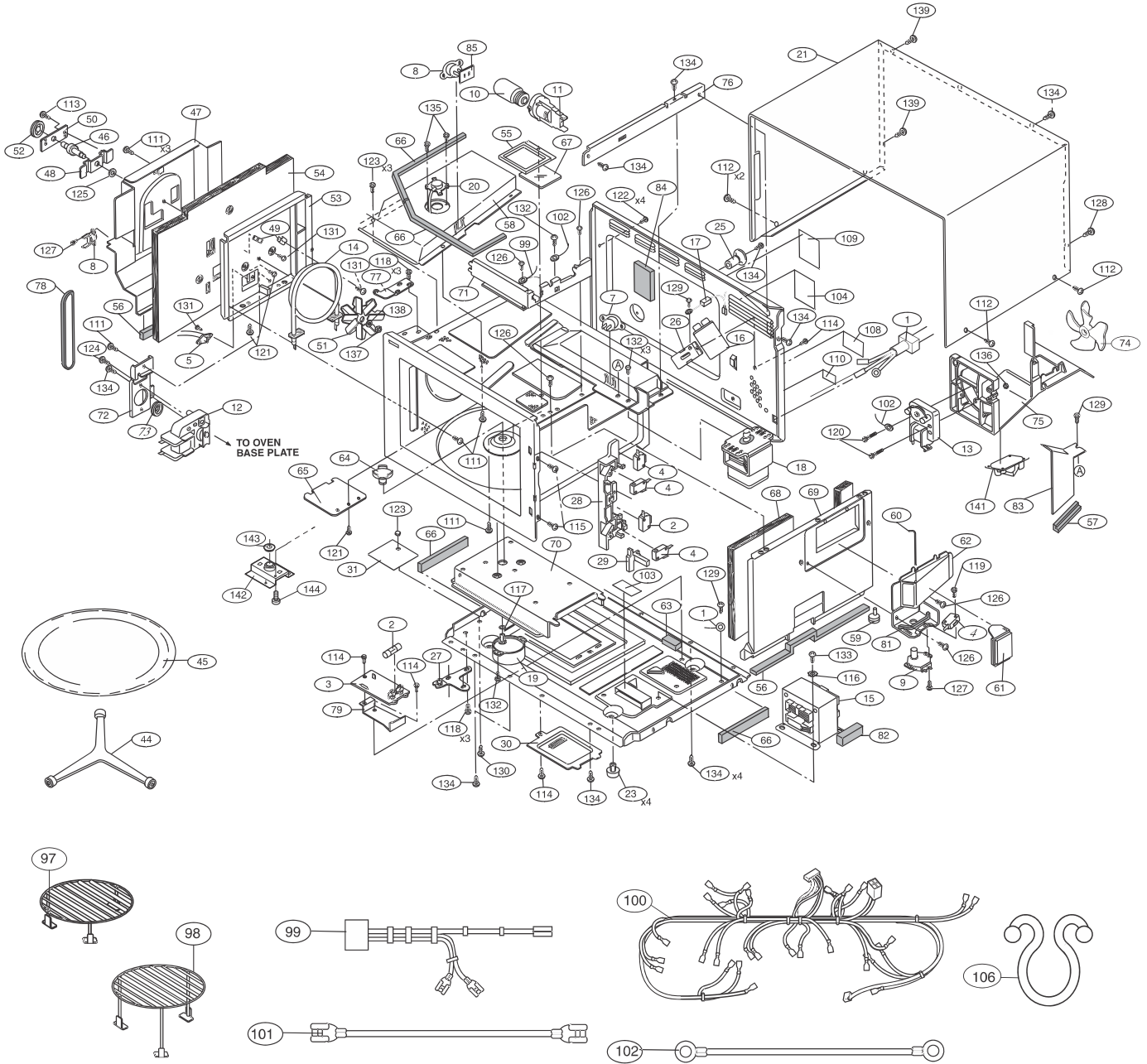
P.O. BOX 8020
CHARLOTTE, NC 28262

Publication No.
5995678538
16/08/22
(EN/SERVICE/KC)
099

BUILT-IN MICROWAVE

Model No.
E30MO65GS

OVEN, CABINET

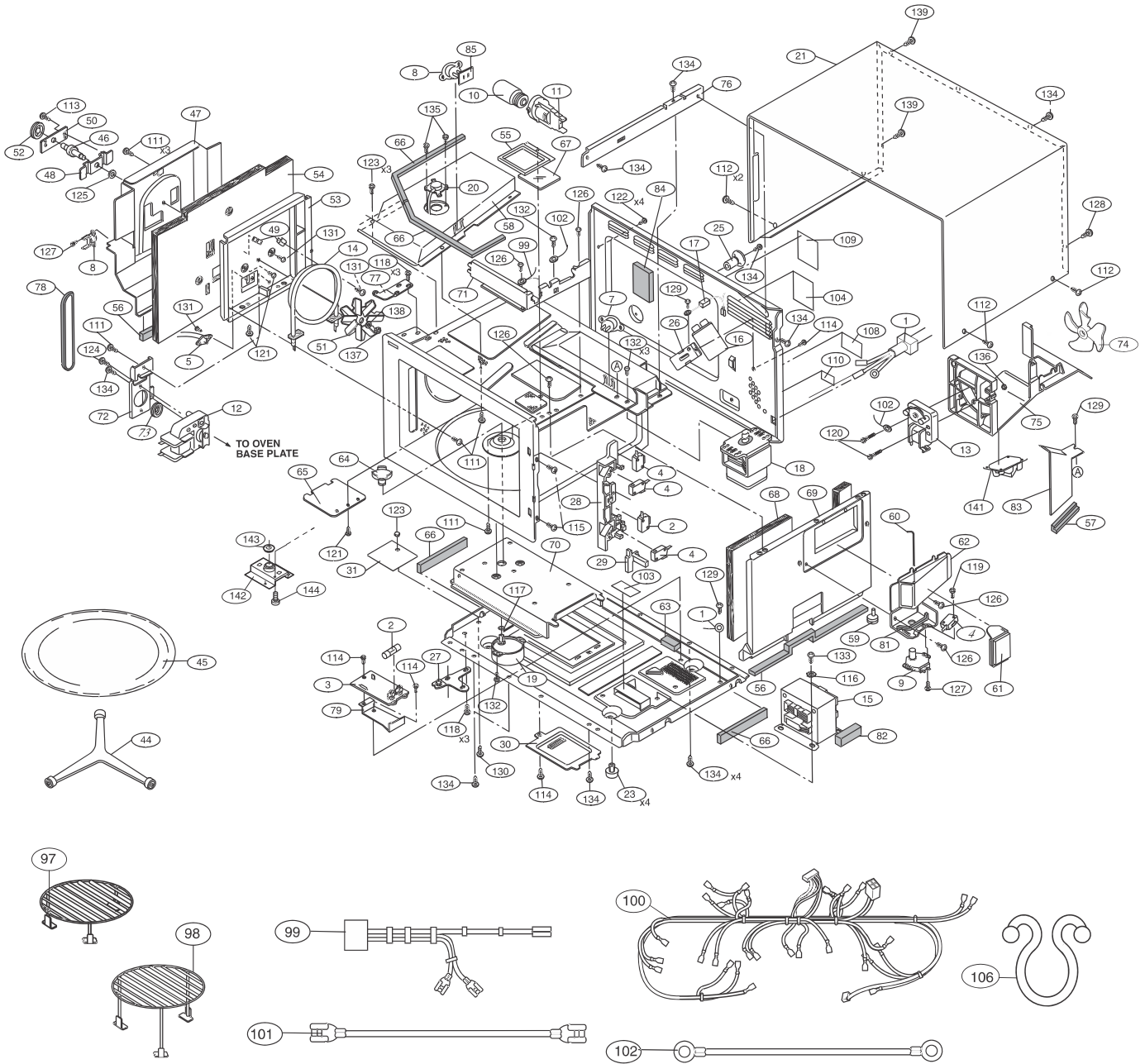


E30MO65GSSC-Cabinet

OVEN, CABINET

POS. NO	PART NO.	DESCRIPTION
1 #	5304461108	Power Cord, electric
2 #	5304461109	Assembly, fuse & switch, monitor
3 #	5304507104	Filter, noise
4 #	5304493153	Switch, interlock, door sensor
5 #	5304483929	Thermistor
7 #	5304461113	Thermal Cut-Out, magnetron
8 #	5304461114	Thermal Cut-Out, oven, 170 C
9 #	5304485889	Motor, damper
10 #	5304461116	Lamp, oven light
11 #	5304461117	Socket, oven lamp
12 #	5304461118	Motor, convection fan
13 #	5304461119	Motor, fan
14 #	5304474695	Element, heating, convection
15 #	5304470538	Transformer, power
16 #	5304470539	Capacitor, high voltage
17 #	5304474696	Rectifier, high voltage
18 #	5304501808	Magnetron
19 #	5304498736	Motor, turntable
20 #	5304461125	Sensor Assembly, AH
21	5304507105	Cabinet, outer casing
23	5304461127	Foot, cabinet, (4)
25	5304461128	Holder, power cord
26	5304461129	Holder, capacitor
27	5304461130	Hinge, door, lower
28	5304461131	Hook, latch
29	5304461132	Lever, switch
30	5304461133	Cover, turntable motor
31	5304461134	Barrier, CSA
44	5304501830	Support, turntable, with rollers
45	5304498731	Tray, turntable, ceramic
46	5304461146	Bearing Assembly
47	5304461147	Plate, thermal protect, LH
48	5304461148	Plate, bearing mtg
49	5304461149	Holder, element
50	5304461150	Plate, bearing holder
51 #	5304461151	Fan Blade, convection
52 #	5304471508	Pulley, convection fan
53	5304461153	Duct Assembly, heater
54	5304461154	Sheet, thermal protect, LH
55	5304461155	Frame, light lens
56	5304461156	Cushion
57	5304461157	Cushion
58	5304461158	Duct Assembly, steam release
59	5304461159	Cam, damper
60	5304461160	Shaft, damper
61	5304461161	Door Assembly, damper
62	5304461162	Duct, damper
63	5304461163	Cushion
64	5304480644	Coupling, turntable
65	5304461165	Cover, waveguide
66	5304461166	Cushion, (4)
67	5304461167	Lens, light
68	5304461168	Sheet, thermal protect, RH
69	5304461169	Plate, thermal protect, RH

OVEN, CABINET

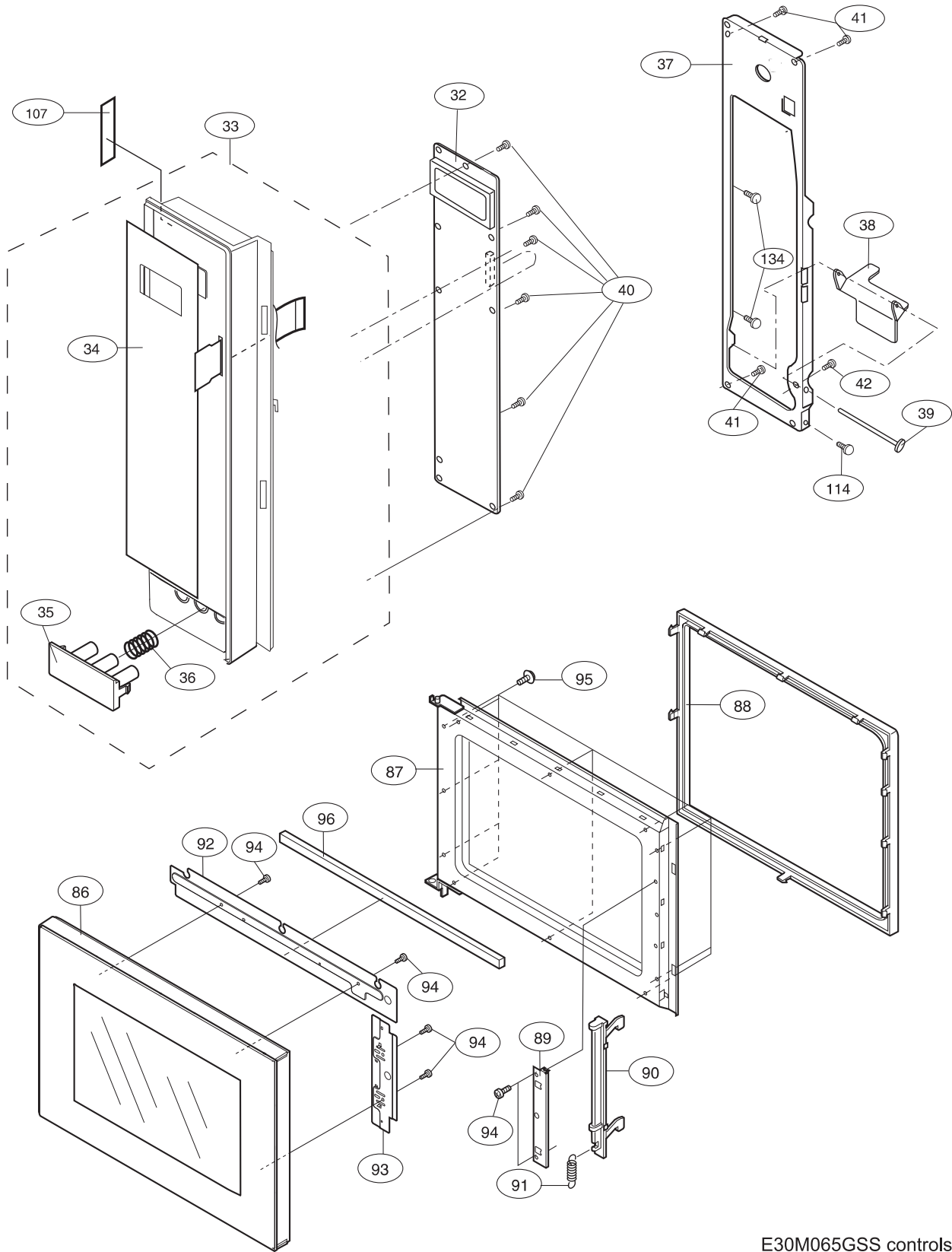


E30MO65GSSC-Cabinet

OVEN, CABINET

POS. NO	PART NO.	DESCRIPTION
70	5304507109	Guide, air, bottom
71	5304461171	Guide, air, RH
72	5304461172	Plate, motor mtg, convection
73 #	5304461152	Pulley, motor, convection fan
74 #	5304461173	Blade, fan
75	5304461174	Duct, cooling fan
76	5304461175	Support, chassis
77	5304461176	Hinge, door, upper
78 #	5304461177	Belt, convection fan
79	5304461178	Bracket, noise filter, angle
81	5304461179	Cushion, damper duct
82	5304461180	Cushion
83	5304461181	Guide, air, magnetron
84	5304461182	Sheet, thermal, protection
85	5304461183	Cover, thermal sheet, panel
97	5304498741	Rack Assembly, broiling trivet, low
98	5304498742	Rack Assembly, baking, high
99 #	5304461196	Wiring Harness, thermistor
100#	5304507110	Wiring Harness, main
101#	5304461198	Wire, high voltage, B
102#	5304461199	Wire, ground, cooling fan
103	5304461200	Label, monitor caution
104	5304465314	Label, NHW caution
106	5304451529	Clip, wire harness, plastic, LL
108	5304451535	Label, height caution
109	5304467770	Label, Caution-DHHS
110	5304453941	Label, caution, UL screw
111	5304461203	Screw, 4mm x 10mm, (6)
112	5304440340	Screw, 4mm x 12mm
113	5304461204	Screw, 4mm x 8mm, (2)
114	5304440872	Screw, 4mm x 8mm
115	5303319641	Screw, (2)
116	5304461205	Washer, 6mm x .7mm
117	5304461206	Washer
118	5304461207	Screw, special, (6)
119	5304461208	Screw, 3mm x 14mm
120	5304461209	Screw, 4mm x 25mm, (2)
121	5304461210	Screw, 4mm x 6mm, (3)
122	5304461211	Screw, 4mm x 8mm, (7)
123	5304461212	Nut, special
124	5304461213	Screw, 4mm x 6mm, (2)
125	5304461214	Washer
126	5304461215	Screw, 4mm x 8mm, (2)
127	5304461216	Screw, 3mm x 6mm
128	5303319639	Screw, wrapper, back
129	5304461217	Screw, 4mm x 8mm, (3)
130	5304461218	Screw, 4mm x 6mm
131	5304461219	Screw, 3mm x 6mm, (4)
132	5304461220	Screw, 4mm x 8mm, (6)
133	5304461221	Screw, 6mm x 14mm, (4)
134	5303318767	Screw, 4mm x 12mm
135	5304461222	Screw, 3mm x 8mm, (2)
136	5304461223	Nut, 4mm x 3.2mm, (2)
137	5304451547	Nut, element, 4 mm x 3.2 mm, (4)
138	5304461224	Washer, 4mm x 1mm
139	5304440873	Screw, Torx, tamper proof
141#	5304507112	Power Unit, AC/DC switching
142	5304451459	Bracket, turntable mount
143	5304451470	Packing, silicon
144	5304467780	Screw, 4 mm x 8 mm, Tap Tight

CONTROL PANEL, DOOR, MISC.



E30M065GSS controls

CONTROL PANEL, DOOR, MISC.

POS. NO	PART NO.	DESCRIPTION
32 #	5304461135	Control Board
33 #	5304507106	Control Assembly, w/touch pad
34 #	5304507107	Touch Control, key pad
35	5304507108	Push Button, door opener
36	5304440831	Spring, door button
37	5304461139	Plate, control panel, back
38	5304461817	Lever, door opener
39	5304461141	Shaft, door button
40	5303319584	Screw, control panel, 3 mm x 10 mm
41	5304461142	Screw, back plate mtg, (5)
42	5304461143	Screw, control panel mtg, (2)
86	5304461184	Panel, outer door, black, frame
87	5304461185	Panel, inner door, black
88	5304461186	Cover, choke
89	5304461187	Angle, latch
90	5304461188	Head, latch
91	5304461189	Spring, latch head
92	5304461190	Plate, thermal, upper
93	5304461191	Plate, thermal, RH
94	5304451561	Screw, 4 mm x 8 mm
95	5304461192	Screw, 3mm x 8mm
96	5304461193	Cushion
107	5304440346	Label, User Caution
114	5304440872	Screw, 4mm x 8mm
134	5303318767	Screw, 4mm x 12mm

WIRING DIAGRAM

IMPORTANT:
 During sensor cooking operation, the fire sensing operation sequence will not begin until the AH sensor has

detected vapors and initiated a sensor cooking cycle. This is because the operation of the convection fan would interfere with the AH sensor's vapor detection.

SCHMATIC DIAGRAM

SCHMATIC
 NOTE: CONDITION OF OVEN
 1. DOOR CLOSED.
 2. CLOCK APPEARS ON DISPLAY.

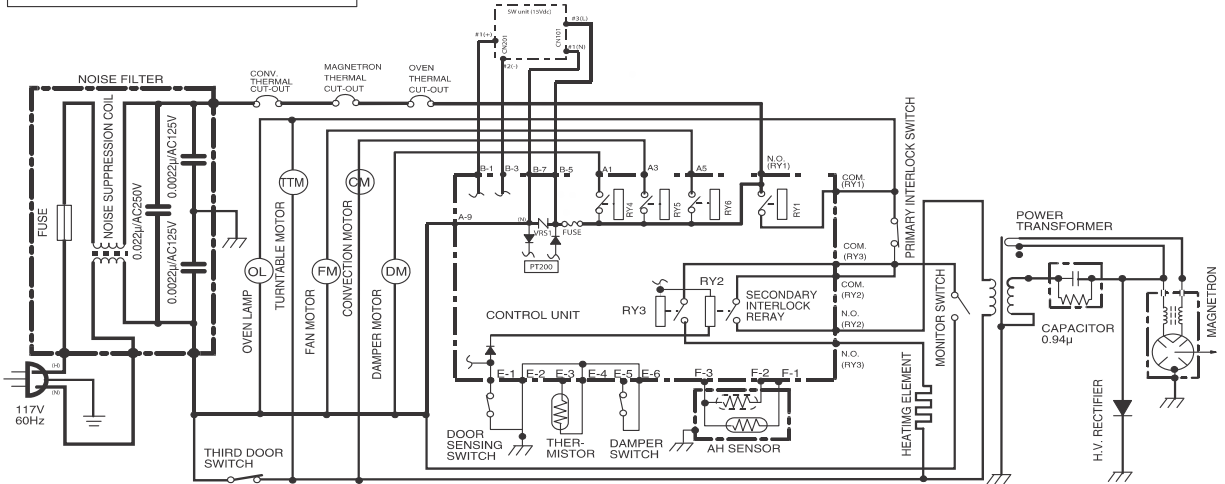


Figure O-1. Oven Schematic-OFF Condition (E30MO65GSSCY)

SCHMATIC
 NOTE: CONDITION OF OVEN
 1. DOOR CLOSED.
 2. COOKING TIME PROGRAMMED.
 3. START PAD TOUCHED.

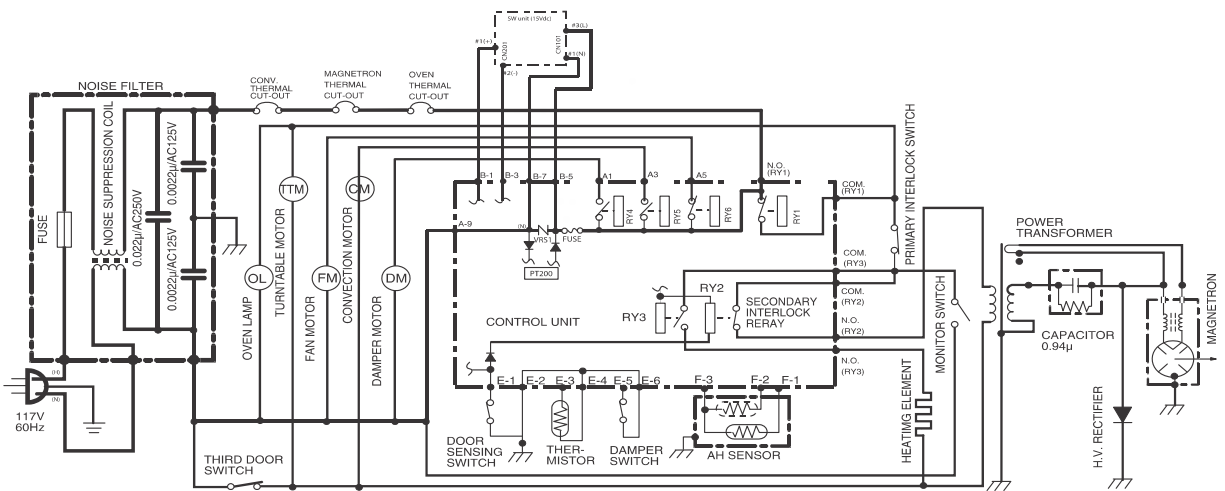


Figure O-2. Oven Schematic-Microwave Cooking Condition (E30MO65GSSCY)