

# Built-In Convection Microwave

designer series

**E30M065GSS**



Shown with included 30" Trim Kit (PN# E30M065TMK)

## PRODUCT DIMENSIONS

Height	21-23/32"
Width	30"
Depth	20-29/32"

## MORE EASY-TO-USE FEATURES

### One-Touch Options

One-touch options include Reheat, Add-a-Minute, Popcorn and Defrost.

### Stainless Steel Interior

### Help Directory

### 10 Power Levels

## Signature Features



### Convection Cooking

Circulates hot air through your microwave to cook foods evenly.



### Automatic Cooking Settings

Pre-programmed settings give you the versatility to combine both microwave cooking and convection heat.



### Sensor-Cook Technology

Intelligent sensors automatically adjust cooking time and power level based on what you are cooking.



### Wave-Touch® Controls

Sleek control panel illuminates with just a touch and fades away after an option is selected.

## 30" BUILT-IN CONVECTION MICROWAVE

Oven Cavity	1.5 Cu. Ft.
Watts	900
Oven Interior	Stainless Steel
Interior Light	Yes
Turntable Diameter	14-9/16"

### PANEL FEATURES

Electronic Clock & Timer	Yes
Convenience Options –	
Help Directory	Yes
Reheat	Yes
Add A Minute	Yes
Popcorn	Yes
Defrost	Yes
Automatic Sensor Options	8
Automatic Convection Options –	
Auto Broil	4
Auto Roast	4
Auto Bake	4
Manual Convection Options –	
Preheat	Yes
Convection Bake	Yes
Broil	Yes
Slow Cook	Yes
Low Mix Bake	Yes
High Mix Roast	Yes
Power Level Options	10

### POWER RATINGS

Microwave – (Watts @ 120 Volts)	900
Convection – (Watts @ 120 Volts)	1,450
Amps @ 120 Volts	13
Frequency (MHz)	1450
Voltage Rating	120V/60 Hz/15A
Connected Load (kW Rating) @ 120 Volts <sup>†</sup>	1.55

### ACCESSORIES

30" Trim Kit – PN# E30MO65TMK	Included*
High and Low Racks	Included

### SPECIFICATIONS

Approved for Electric Single Oven Combination Installation**	Yes
Power Cord Location	Right Bottom Rear
Shipping Weight (Approx.)	68 Lbs.

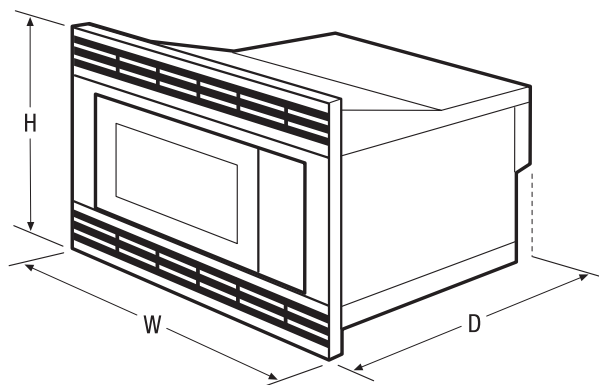
<sup>†</sup>For use on adequately wired 120V, dedicated circuit having 2-wire service with a separate ground wire. Appliance must be grounded for safe operation.

\*30" Trim Kit (E30MO65TMK) is supplied and includes Stainless Steel Faceplate, Exhaust Duct Assembly and Bottom Duct Assembly – shipped in separate box.

\*\*Approved to be used in combination with any Electrolux ICON® Electric Single Wall Oven and/or Warmer Drawer. (Not approved to be used above any gas wall oven.)

NOTE: Always consult local and national electric codes. Refer to Product Installation Guide for detailed installation instructions on the web at [electroluxicon.ca](http://electroluxicon.ca).

Specifications subject to change.



### PRODUCT DIMENSIONS

Height	21-23/32"
Width	30"
Depth	20-29/32"

### OVEN CAVITY DIMENSIONS

Height	9-5/8"
Width	16-1/8"
Depth	16-1/8"