



Electrolux | ICON®

Under-Counter Refrigerator Drawers

E24RD50QS



PRODUCT DIMENSIONS

Height	33-3/4"
Width	23-7/8"
Depth (Including Door & Handle)	26"

MORE EASY-TO-USE FEATURES

Theatre Lighting

Transition LED lighting gradually illuminates the interior with soft but ample light as you open the door.

PureAdvantage® Air Filter

Keeps clean, filtered air circulated throughout to prevent odour transfer.

Signature Blue LED Display

Signature blue display lighting illuminates the function buttons.

Condiment Wire Basket

Alarm System

Notifies you if there's been a power failure, if a drawer stays open longer than five minutes and if the interior temperature rises 10 degrees or more for four hours.

ENERGY STAR® Qualified

Signature Features



Large Capacity

Offering large storage space. Each drawer is tall enough to store long neck bottles and wide enough for large platters.



Smooth-Glide® Drawers

With a ball bearing system, drawers smoothly extend with the touch of a finger for effortless access.



Custom-Set™ Temperature Control

Set a temperature anywhere between 34 and 42 degrees — the drawer will maintain your selected temperature to keep the contents chilled to your ideal temperature.



Integrated Electronic Control Panel

Our control panel is thoughtfully located at the top of the door, leaving you with a clean look that fits any style.

UNDER-COUNTER REFRIGERATOR DRAWERS

Capacity	5.0 Cu. Ft.
Configuration	2 Drawers
Installation Type	Built-In

FEATURES

Custom-Set™ Electronic Controls	Yes
Fully Integrated Control Panel	Yes
Blue LED Display	Yes
Smooth-Glide® Full-Extension Self-Closing Drawers	Yes
Theatre LED Lighting	Yes
PureAdvantage® Air Filtration	Yes
Electronic Control Lock	Yes
Display Temp Mode (°C or °F)	Yes
Door-Ajar Acoustic Alarm	Yes
High-Temperature Acoustic Alarm	Yes
Power Failure Acoustic Alarm	Yes
Power-On / Off Control	Yes
Vacation Mode	Yes
Sabbath Mode (Star-K® Certified)	Yes
ENERGY STAR® Qualified	Yes
Storage Shelf (Lower Drawer)	Yes
Frost-Free Performance	Yes
Dynamic Condenser	Yes

ACCESSORIES

Beverage Shelf	Included
----------------	----------

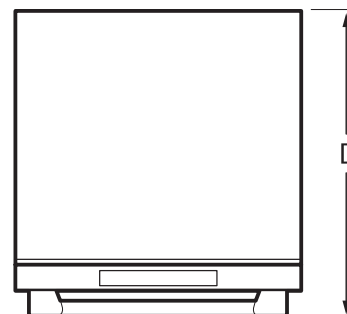
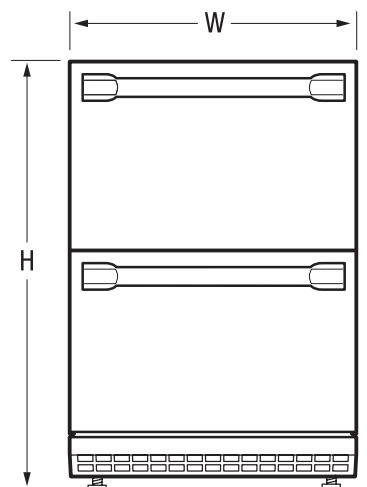
ADDITIONAL FEATURES

Professional Series Drawer and Handle Design	Yes
Adjustable Leveling Legs	4

SPECIFICATIONS

Temperature Range	34°F – 42°F
Electrical Cable	Yes
Power Supply Connection Location	Right Bottom Rear
Voltage Rating	115V / 60Hz
Connected Load (kW Rating) @ 115 Volts ²	0.16
Amps @ 115 Volts	1.5
Minimum Circuit Required (Amps)	15
Approved for Under Counter Installation	Yes
Shipping Weight (Approx.)	146 Lbs.

²For use on adequately wired 120V, dedicated circuit having 2-wire service with a separate ground wire. Appliance must be grounded for safe operation.
 NOTE: Always consult local and national electric codes. Refer to Product Installation Guide for detailed installation instructions on the web at electroluxicon.ca.
 Specifications subject to change.



PRODUCT DIMENSIONS

Height	33-3/4"
Width	23-7/8"
Depth (Including Handle)	26"
(With Drawer Fully Extended Including Handle)	41-3/8"

