

# 24" Single Wall Oven

500 Series – Stainless Steel HBE5452UC



**BOSCH**  
Invented for life



**HBE5452UC**  
Stainless Steel

**The 24" Bosch Wall Oven with Wi-Fi Connectivity features Genuine European Convection and is designed for kitchens with a smaller footprint.**

## Features & Benefits

Genuine European Convection for even baking results on multiple racks.

Unique ring control design with TFT display.

The wall oven is designed to be installed flush with your cabinetry.

EcoClean® system uses cavity coating and heat to burn off most grease.

Download Bosch Home Connect™ application and control wall oven with your smart phone or tablet.

## General Properties

Home Connect™ (WiFi enabled)	Yes
Cooking modes	Convection Multi-Rack, Bake, Pizza, Roast, Proof, Convection Broil, Broil, Slow Cooking, Defrost, Plate Warming, Warming
Cleaning type	EcoClean® Coating
Illumination type	Halogen
Interior lights	1

## Oven Performance

Bake / broil element wattages	1,420 / 3,050 W
Convection element wattages	2,300 W

## Technical Details

Watts (W)	3,840 W
Circuit breaker (A)	20 A
Volts (V)	240 / 208 V
Frequency (Hz)	60 Hz
Power cord length (in)	60"
Plug type	Fixed Connection, No Plug
Energy source	Electric



## Dimensions & Weight

Overall appliance dimensions (HxWxD) (in)	23 7/16" x 23 7/16" x 22 13/16"
Required cutout size – Standard (HxWxD) (in)	23 1/16" x 22 1/16" x 23 5/8"
Required cutout size – Flush (HxWxD) (in)	23 7/8" x 23 3/4" x 23 5/8"
Oven cavity size (cu. ft.)	2.5
Overall oven interior dimensions (HxWxD) (in)	14 1/2" x 18 7/8" x 17 3/8"
Usable oven interior dimensions (HxWxD) (in)	11 1/2" x 15 1/2" x 15 5/8"
Net weight (lbs)	88 lbs

## Accessories—Included

Included	3 Standard Oven Racks
----------	-----------------------

**For help and assistance with Bosch accessories please visit: [www.bosch-eshop.com/eshop/bosch/us](http://www.bosch-eshop.com/eshop/bosch/us) or call 1-800-944-2904 Mon-Fri 5am to 6pm PST Sat 6am to 3pm PST**

Notes: All height, width and depth dimensions are shown in inches. BSH reserves the absolute and unrestricted right to change product materials and specifications, at any time, without notice. Consult the product's installation instructions for final dimensional data and other details prior to making cutout. Applicable product warranty can be found in accompanying product literature or you may contact your account manager for further details.

Warranties: Bosch warrants that the Product is free from defects in materials and workmanship for a period of three hundred and sixty-five (365) days from the date of purchase. The foregoing timeline begins to run upon the date of purchase, and shall not be stalled, tolled, extended, or suspended, for any reason whatsoever. This Product is also warranted to be free from cosmetic defects in material and workmanship (such as scratches of stainless steel, paint/porcelain blemishes, chip, dents, or other damage) to the finish of the Product, for a period of thirty (30) days from the date of purchase or closing date for new construction. This cosmetic warranty excludes slight color variations due to inherent differences in painted and porcelain parts, as well as differences caused by kitchen lighting, product location, or other similar factors. This cosmetic warranty specifically excludes any display, floor, "As Is", or "B" stock appliances.

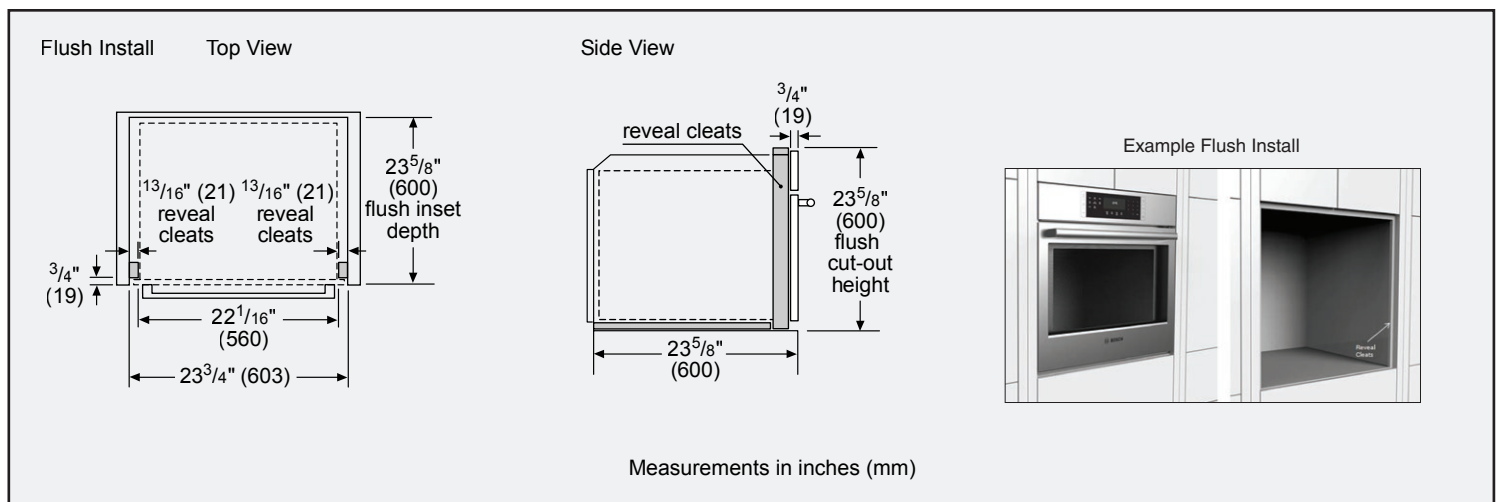
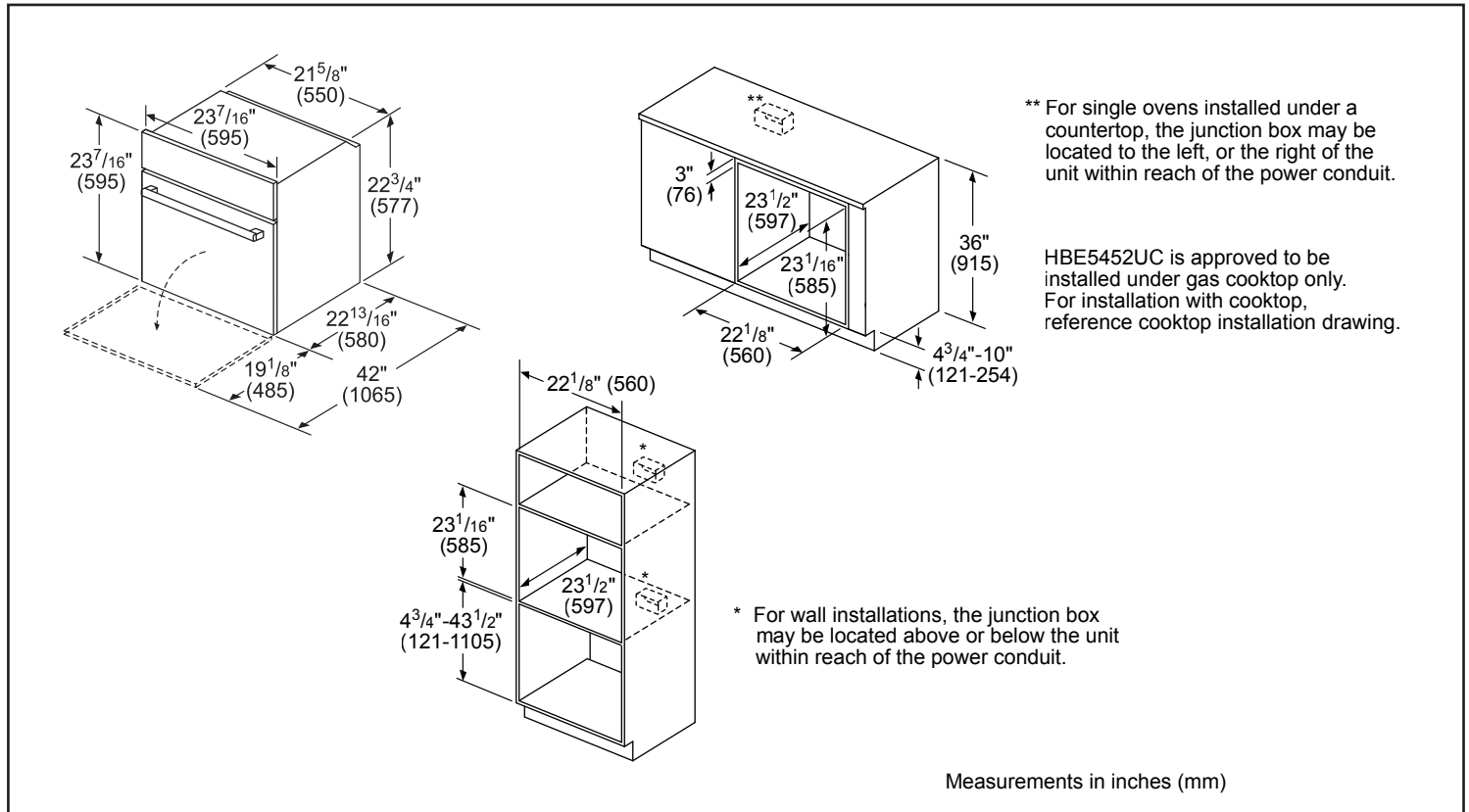
**For more information on our entire line of products, go to [www.bosch-home.com/us](http://www.bosch-home.com/us) or call 1-800-944-2904**

© BSH Home Appliances Corporation. All rights reserved. Bosch is a registered trademark of Robert Bosch GmbH.

# 24" Single Wall Oven

500 Series – Stainless Steel HBE5452UC

## Installation Details



**For help and assistance with Bosch accessories please visit: [www.bosch-eshop.com/eshop/bosch/us](http://www.bosch-eshop.com/eshop/bosch/us) or call 1-800-944-2904 Mon-Fri 5am to 6pm PST Sat 6am to 3pm PST**

Notes: All height, width and depth dimensions are shown in inches. BSH reserves the absolute and unrestricted right to change product materials and specifications, at any time, without notice. Consult the product's installation instructions for final dimensional data and other details prior to making cutout. Applicable product warranty can be found in accompanying product literature or you may contact your account manager for further details.

Warranties: Bosch warrants that the Product is free from defects in materials and workmanship for a period of three hundred and sixty-five (365) days from the date of purchase. The foregoing timeline begins to run upon the date of purchase, and shall not be stalled, tolled, extended, or suspended, for any reason whatsoever. This Product is also warranted to be free from cosmetic defects in material and workmanship (such as scratches of stainless steel, paint/porcelain blemishes, chip, dents, or other damage) to the finish of the Product, for a period of thirty (30) days from the date of purchase or closing date for new construction. This cosmetic warranty excludes slight color variations due to inherent differences in painted and porcelain parts, as well as differences caused by kitchen lighting, product location, or other similar factors. This cosmetic warranty specifically excludes any display, floor, "As Is", or "B" stock appliances.

**For more information on our entire line of products, go to [www.bosch-home.com/us](http://www.bosch-home.com/us) or call 1-800-944-2904**

© BSH Home Appliances Corporation. All rights reserved. Bosch is a registered trademark of Robert Bosch GmbH.