

## Dishwashers

### 24" Recessed Handle Dishwasher 300 Series- Black SHEM63W56N



### The 3rd rack provides the perfect space for silverware and large utensils while its V shape leaves room below for taller items.

- **44 dBA:** Quietest dishwasher brand.
- A 3rd rack adds versatility and offers 30% more loading capacity.
- FlexSpace™ Tines fold back to fit your larger pots & pans.
- RackMatic® offers 3 height levels, for 9 possible rack positions.
- Speed60® gets your dishes from dirty to dry in about an hour.

#### Technical Data

Upper Rack :	500
Adjustable upper rack :	Rackmatic 3-stage
Upper rack cup shelf :	2
Lower Rack :	500
3rd Rack :	3rd Rack 1.0
Silverware Basket :	Standard
Accessories Parts :	no
Optional accessories :	
SGZ1010UC, SMZ4000UC, SMZ5000, SMZPC002UC	
UPC code :	825225922445
Variant color :	Black
Panel ready :	No
Alternative colors available :	SHEM63W52N, SHEM63W55N
Silence level (dBA) :	44
Watts (W) :	1300
Current (A) :	12
Volts (V) :	120
Frequency (Hz) :	60
Energy Consumption (kWh/yr) :	269
Energy Star® qualified :	Yes
Plug type :	fixed connection
Required cutout size (HxWxD) (in) :	x 33 7/8 " x 23 9/16 "
Required cutout size (HxWxD) (mm) :	860-890 x 610 x 610
Overall appliance dimensions (HxWxD) (in) :	
33 7/8 " x 23 9/16 " x 23 3/4 "	
Power cord length (in) :	43 1/2"
Power cord length (cm) :	110
Length outlet hose (in) :	67 "
Length outlet hose (cm) :	175
Product packaging dimensions (HxWxD) (in) :	
35 3/4" x 26" x 29 5/16"	
Tub material :	Stainless steel
Tub type :	TallTub
ADA Compliant :	No
Number of place settings :	16

#### Optional accessories

- SGZ1010UC : Drain hose extension kit
- SMZ4000UC : silverware basket US Duo
- SMZ5000 : Dishwashing aid set
- SMZPC002UC : Powercord with cold plug

## Dishwashers

### **24" Recessed Handle Dishwasher 300 Series- Black SHEM63W56N**

**The 3rd rack provides the perfect space for silverware and large utensils while its V shape leaves room below for taller items.**

---

#### **Key Features**

- 44 dB - Quietest Dishwasher Brand.
- 3rd Rack for Additional Loading Capacity
- InfoLight® Beams on Floor to Indicate Dishwasher is Running
- RackMatic® on Upper Rack - 3 Height Adjustments and Up to 9 Possible Rack Positions
- AquaStop® Leak Protection Works 24/7

#### **Design**

- Full Size Stainless Steel Tall Tub Installs Perfectly Flush
- 3rd Rack for Additional Loading Capacity
- 16 Place Setting Capacity
- LED Remaining Time Display
- RackMatic® on Upper Rack - 3 Height Adjustments and Up to 9 Possible Rack Positions

#### **Performance**

- 44 dB - Quietest Dishwasher Brand.
- 5 Wash Cycles and 4 Options
- Detergent Tray Optimizes Detergent Dissolving
- Speed60® gets your dishes from dirty to dry in about an hour.
- Extra Dry Option for Better Drying Results
- Load Size Sensor Automates Wash Temperature
- Sanitize Option Eliminates Bacteria and Enhances Drying Results

#### **Efficiency**

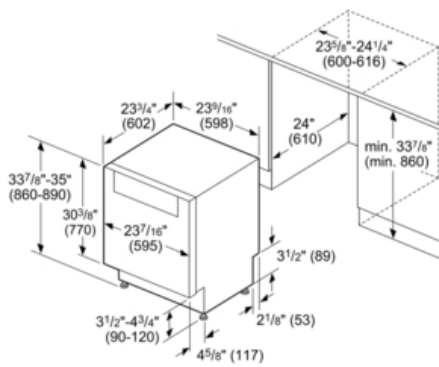
- 269 kwh/yr - Energy Star®

#### **Convenience**

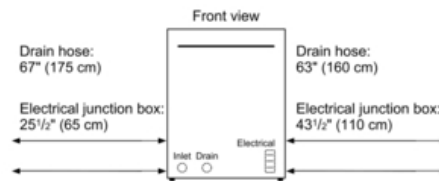
- Electronic delay timer: 1-24 hours Delay Start Timer
- AquaStop® Leak Protection Works 24/7
- Self-Latching Door

## Dishwashers

### 24" Recessed Handle Dishwasher 300 Series- Black SHEM63W56N



measurements in inches (mm)



All connections are at the rear of the appliance.  
Extension for drain hose available as accessory.  
Power cord for connection to electrical outlet (3-prong plug) available as accessory.