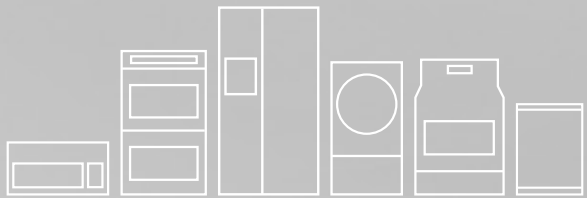


# FRIGIDAIRE

All about the

# Use & Care

of your Refrigerator



## TABLE OF CONTENTS

Important Safety Instructions.....	2	Storing Food and Saving Energy .....	12
Features at a Glance.....	4	Care and Cleaning .....	13
Installation .....	5	Before you Call.....	15
Door Removal Instructions.....	7	Major Appliance Warranty .....	17
Controls.....	9		
Storage Features.....	11		

# IMPORTANT SAFETY INSTRUCTIONS




## WARNING

Please read all instructions before using this refrigerator.

## For your Safety

- DO NOT store or use gasoline, or other flammable liquids in the vicinity of this or any other appliance. Read product labels for warnings regarding flammability and other hazards.
- DO NOT operate the refrigerator in the presence of explosive fumes.
- Avoid contact with any moving parts of automatic ice maker.
- Remove all staples from the carton. Staples can cause severe cuts, and also destroy finishes if they come in contact with other appliances or furniture.

## Definitions

 This is the safety alert symbol. It is used to alert you to potential personal injury hazards. Obey all safety messages that follow this symbol to avoid possible injury or death.



## DANGER

DANGER indicates an imminently hazardous situation which, if not avoided, will result in death or serious injury.



## WARNING

WARNING indicates a potentially hazardous situation which, if not avoided, could result in death or serious injury.



## CAUTION

CAUTION indicates a potentially hazardous situation which, if not avoided, may result in minor or moderate injury.



## IMPORTANT

IMPORTANT indicates installation, operation or maintenance information which is important but not hazard-related.



## Installation Checklist

### Doors

- Door seals completely to cabinet on all sides

### Leveling

- Refrigerator is level side-to-side and slightly elevated in front to assist with door and drawer closing (front should be higher than back)
- Cabinet is setting solid on all corners

### Electrical Power

- House power turned on
- Refrigerator plugged in

### Final Checks

- Shipping material removed
- Fresh food and freezer temperatures set
- Registration card sent in

## Child Safety

Destroy or recycle the carton, plastic bags, and any exterior wrapping material immediately after the refrigerator is unpacked. Children should **NEVER** use these items to play. Cartons covered with rugs, bedspreads, plastic sheets or stretch wrap may become airtight chambers, and can quickly cause suffocation.

# IMPORTANT SAFETY INSTRUCTIONS

## Proper Disposal of your Refrigerator or Freezer

### Risk of child entrapment

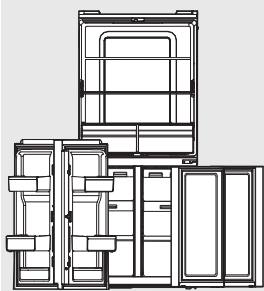
Child entrapment and suffocation are not problems of the past. Junked or abandoned refrigerators or freezers are still dangerous – even if they will sit for “just a few days”. If you are getting rid of your old refrigerator or freezer, please follow the instructions below to help prevent accidents.

### Proper Disposal of Refrigerators/Freezers

We strongly encourage responsible appliance recycling/disposal methods. Check with your utility company or visit [www.energystar.gov/recycle](http://www.energystar.gov/recycle) for more information on recycling your old refrigerator.

### Before you throw away your old refrigerator/freezer:

- Remove doors.
- Leave shelves in place so children may not easily climb inside.
- Have refrigerant removed by a qualified service technician.



### ▶ IMPORTANT

If you are throwing away your old refrigerator, make sure the refrigerator is removed for proper disposal by a qualified technician. If you intentionally release refrigerant, you may be subject to fines and imprisonment under provisions of environmental legislation.

## Electrical information

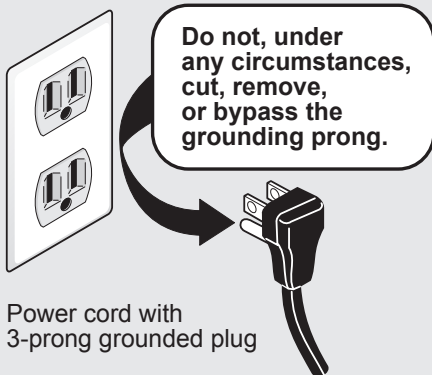
- The refrigerator must be plugged into its own dedicated 115 Volt, 60 Hz., 15 Amp, AC only electrical outlet. The power cord of the appliance is equipped with a three-prong grounding plug for your protection against electrical shock hazards. It must be plugged directly into a properly grounded three prong receptacle. The receptacle must be installed in accordance with local codes and ordinances. Consult a qualified electrician. Avoid connecting refrigerator to a Ground Fault Interrupter (GFI) circuit. Do not use an extension cord or adapter plug.

- If the power cord is damaged, it should be replaced by an authorized service technician to prevent any risk.
- Never unplug the refrigerator by pulling on the power cord. Always grip the plug firmly, and pull straight out from the receptacle to prevent damaging the power cord.
- Unplug the refrigerator before cleaning and before replacing a light bulb to avoid electrical shock.
- Performance may be affected if the voltage varies by 10% or more. Operating the refrigerator with insufficient power can damage the compressor. Such damage is not covered under your warranty.
- Do not plug the unit into an electrical outlet controlled by a wall switch or pull cord to prevent the refrigerator from being turned off accidentally.

### ▶ IMPORTANT

To turn off power to your refrigerator you must unplug the power cord from the electrical outlet.

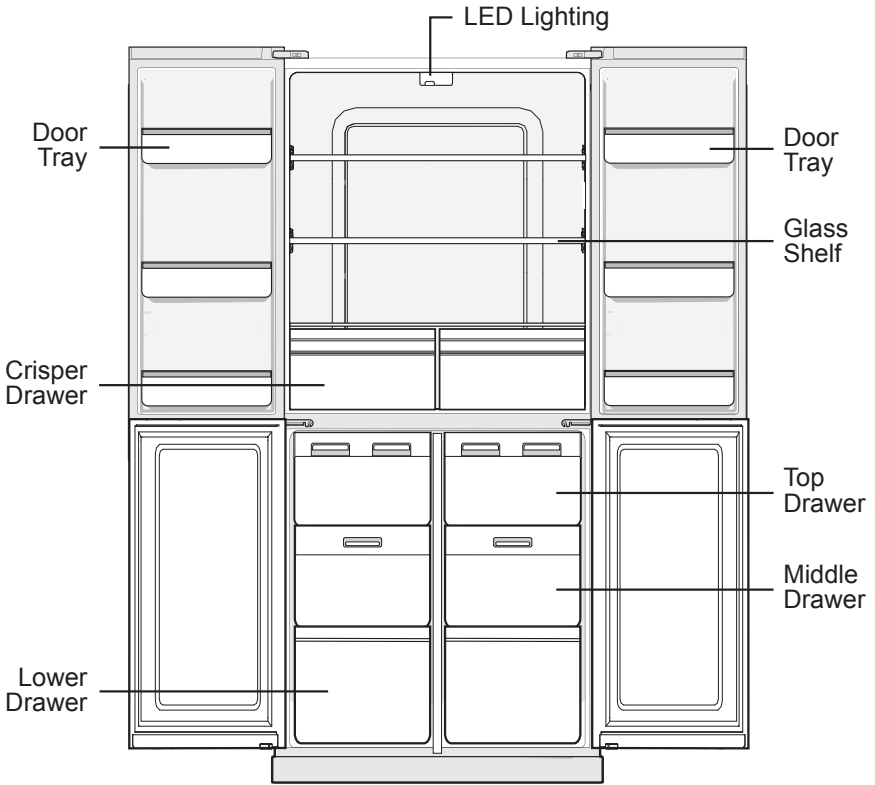
### Grounding type wall receptacle



### ⚠ CAUTION

To avoid personal injury or property damage, handle tempered glass shelves carefully. Shelves may break suddenly if nicked, scratched, or exposed to sudden temperature change.

# FEATURES AT A GLANCE



## IMPORTANT

Features not purchased with your refrigerator can be purchased at [www.frigidaire.com](http://www.frigidaire.com) or by calling 1-800-944-9044.

This Use & Care Guide provides general installation and operating instructions for your model. Use the refrigerator only as instructed in this Use & Care Guide. **Before starting the refrigerator, follow these important first steps.**

## Location

- Choose a place that is near a grounded, non-GFCI, electrical outlet. **Do Not** use an extension cord or an adapter plug.
- If possible, place the refrigerator out of direct sunlight and away from the range, dishwasher, or other heat sources.
- The refrigerator must be installed on a floor that is level and strong enough to support a fully loaded refrigerator.



## CAUTION

Do Not install the refrigerator where the temperature will drop below 55°F (13°C) or rise above 110°F (43°C). The compressor will not be able to maintain proper temperatures inside the refrigerator.



## CAUTION

### Read before Installation:

Information in this manual is only for reference. The physical product may differ. Before installation of accessories, disconnect the refrigerator from the power outlet. Before adjusting the leveling legs, precautions should be taken to prevent any personal injury.

## Installation

Allow the following clearances for ease of installation, proper air circulation, and electrical connections:

Sides & Top	¾ inch (9.5 mm)
Back	1 inch (25.4 mm)



## NOTE

If your refrigerator is placed with the door hinge side against a wall, you may have to allow additional space so the door can be opened wider.

## Door opening

Your refrigerator should be positioned to allow easy access to a counter when removing food. For best use of refrigerator and freezer drawers, the refrigerator should be in a position where both can be fully opened.

# INSTALLATION

## Cabinet Leveling and Door Alignment (if necessary)

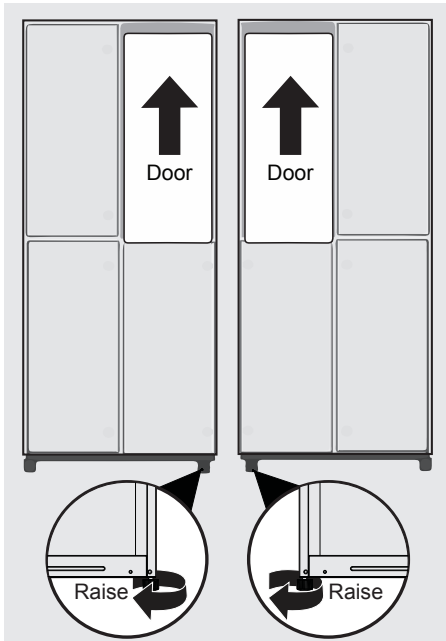
Guidelines for final positioning of your refrigerator:

- All four corners of the cabinet must rest firmly on the floor.
- Doors should align with each other and be level.

Most of these conditions can be met by raising or lowering the height adjustment legs on the front of the unit

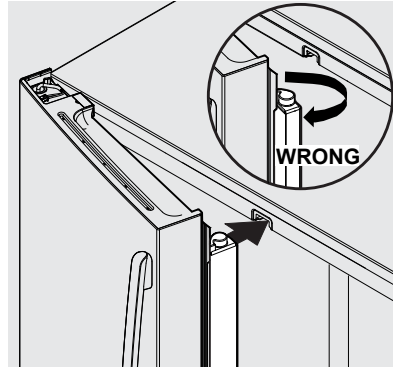
To level the cabinet, make initial cabinet adjustments by the front adjustment legs:

- To raise: turn adjustment leg clockwise.
- To lower: turn adjustment leg counterclockwise.
- Ensure both doors close freely with their seals touching the cabinet on all four sides and that the cabinet is stable.



## Flipper Mullion

Adjust Flipper Mullion for proper connection with the mullion guide by ensuring the flipper mullion is folded and perpendicular to the fresh food door. If the mullion guide is not in the correct position, it could prevent the door from closing completely.

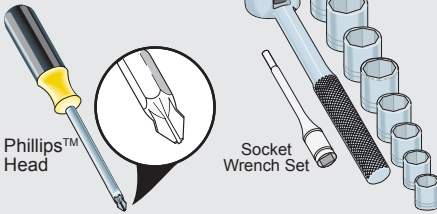


# DOOR REMOVAL INSTRUCTIONS

## Getting through narrow spaces

If your refrigerator will not fit through an entrance area, you can remove the doors. Check first by measuring the entrance.

### Tools Necessary:

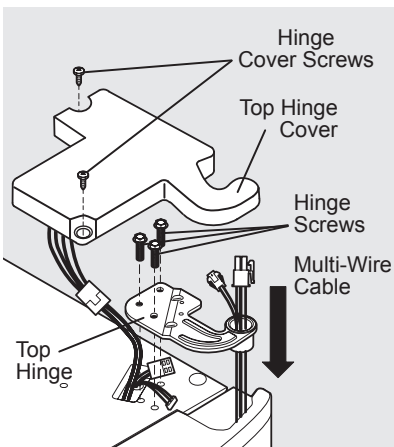


### WARNING

Make sure unit is unplugged before beginning the door removal process.

## To remove the fresh food door:

- 1 Remove 2 hinge cover screws and top hinge cover
- 2 Lift hinge cover straight up and off.
- 3 Remove the 3 screws from the top hinge.
- 4 Disconnect all electrical connections.
- 5 Lift the door off of the center hinge and set it aside.



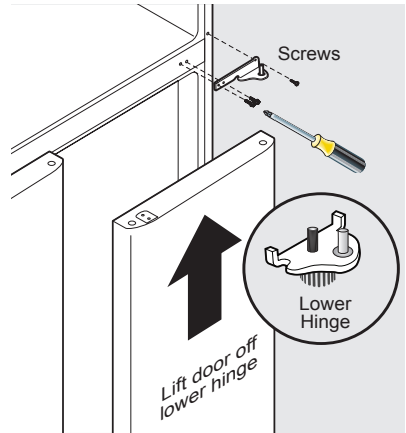
## To remove the freezer door



### NOTE

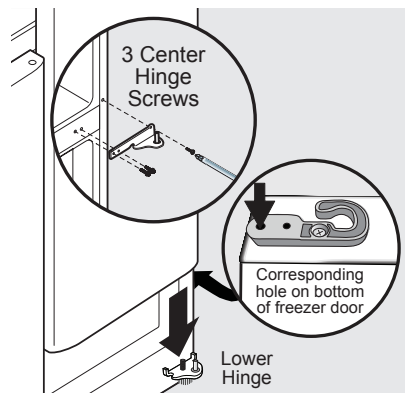
Fresh food door must be removed before removing Freezer door.

- 1 Use screwdriver to remove center hinge.
- 2 Lift freezer door off lower hinge to remove from unit.



## To reinstall the freezer door

- 1 Place Freezer door on lower hinge pin. Align hole on bottom of freezer door with lower hinge pin.
- 2 Insert Center hinge into top of freezer door.
- 3 Reattach 3 center hinge screws.



# DOOR REMOVAL INSTRUCTIONS

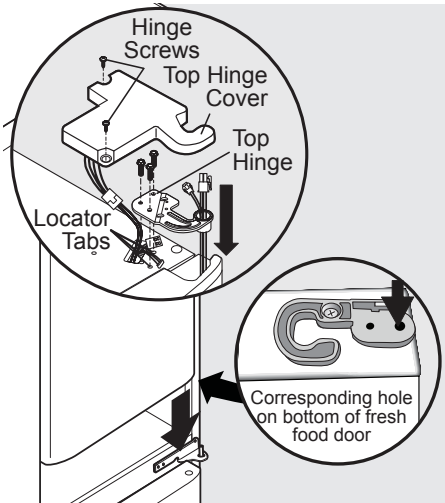
## To reinstall the fresh food door



### NOTE

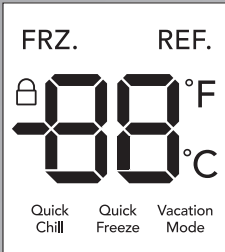
Freezer door must be reinstalled before reinstalling Fresh Food door.

- 1 Place door on center hinge. Make sure to guide hinge post into corresponding hole on bottom of Fresh Food door.
- 2 Use locator tabs on top of cabinet to guide top hinge into its correct location.
- 3 Reattach hinge screws and electrical connections at top hinge of Fresh Food door.
- 4 Attach plastic hinge cover and fix in place with proper screws.





## User Interface (UI) Controls



Ref.Temp

---

Frz.Temp

---

Modes

---

Lock  
Hold 3s

**Ref. Temp** Temperature setting decreases every time the **Ref. Temp** indicator is pressed. It cycles between 44°F and 34°F. When 34°F is shown, pressing **Ref. Temp** again will loop back to 44°F. Control temperatures range from +34°F / +1°C to +44°F / +7°C

**Frz. Temp** Temperature setting decreases every time the **Frz. Temp** indicator is pressed. It cycles between +7°F and -7°F. When -7°F is shown, pressing **Frz. Temp** again will loop back to +7°F. Control temperatures range from -7°F / -22°C to +7°F / -14°C.

**Modes** Press the **Modes** key, the corresponding modes will be cycling on a loop

**Lock Hold 3s** Locks the UI so Temp cannot be changed without unlocking.

### Change UI °F to °C

- 1 Unlock the UI.
- 2 Hold down the **Frz. Temp** & **Ref. Temp** at the same time for 3 seconds. UI will change from °F to °C.

To change °C to °F, repeat the above steps.

### Modes Setting

Press the **Modes** key, the corresponding modes will be cycling on a loop as shown below.

#### Fresh Food Compartment Cycle Settings:

Quick Chill-> Quick Freeze ->Quick Chill/Quick Freeze->Vacation->None->Quick Chill.

Under **Quick Chill** mode the fresh food compartment defaults to 34°F (1°C). Activate **Quick Chill** mode to increase the rate of cooling food. It deactivates automatically after 2.5 hours. When exiting the **Quick Chill** mode the setting restores back to the temperature set before going into **Quick Chill** mode.

Under **Quick Freeze** mode the freezer defaults to -7°F (-22°C). Activate **Quick Freeze** mode to increase the rate of freezing food. It deactivates automatically after 6 hours. When exiting the **Quick Freeze** mode the setting restores back to the temperature set before going into **Quick Freeze** mode.

Under **Vacation Mode** the fresh food compartment defaults to 37°F. While the freezer defaults to ~0°F (-18°C). When exiting **Vacation Mode** the setting temperature of the fresh food compartment and freezer will both be restored to those set before going into **Vacation Mode**.

### Duration Setting of Quick Freeze

The factory default duration of **Quick Freeze** is 6 hours; however, you can change the time your freezer is in **Quick Freeze** mode between 6 and 48 hours. After **Quick Freeze**

# CONTROLS

mode is turned on, press and hold the **Frz. Temp** button for 3 seconds to view the selected time setting. Then again, press **Frz. Temp** to toggle between 6 and 48 hour settings. Once the correct time is selected, press and hold the **Frz. Temp** button for 3 seconds to confirm the setting. After 30 seconds of no interaction of the controls, the UI will confirm the time setting automatically and return to the main screen.

## List of Fault/Error Codes:

- E1** Temperature sensor failure of fresh food compartment
- E2** Temperature sensor failure of freezer
- E4** Failure of defrosting sensor in fresh food compartment
- E5** Failure of Freezing and defrosting sensors
- E6** Communication failure
- E7** Failure of circulating temperature
- EH** Humidity sensor failure

## Alarms

**Display:** When the unit is initially plugged in, the start-up alarm rings and it takes 3 seconds for the UI to become fully operational. The factory settings for the refrigerator are 37°F in the Fresh Food compartment and 0°F in the Freezer. The display will then either show the temperature in the Fresh Food compartment under normal operation or a Fault code if there is a failure.

**Display Control:** During normal unit operation, the display screen will be locked if the Fresh Food compartment doors are not being opened or closed and if no key is pressed for 30 seconds. When the display is locked, it will turn off after 30 seconds of non activity (not opening or closing doors and not pressing keys) and it will light up with any key operation. If there is a failure, the display will turn on and show "Visible Fault Code" and then will turn off after 30 seconds.

To lock the control keys, hold the "Lock" Key for 3 seconds.

To unlock the control keys, hold the "Lock" Key for 3 seconds.

The system auto-locks automatically after 30 seconds of no keys or doors operation.

**Door:** Door ajar alarm will sound if either of the Fresh food compartment doors are left open or ajar for 5 minutes.

The door ajar alarm can be silenced by pressing any key while the door is open or by closing the door.

## NOTE

Freezer doors do not trigger the door ajar alarm.

## Setting cooling temperatures

## NOTE

The recommended settings for a product installed in a kitchen is 37°F for the fresh food compartment and 0°F for the freezer.



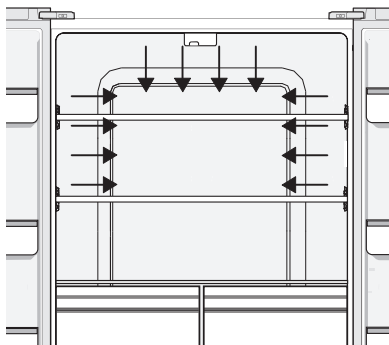
## IMPORTANT

If your product has food freezing in the fresh food compartment, increase the temperature setting 1 or 2 degrees.



## IMPORTANT

Do not block the air port. If you place food within 1 inch in front of the air ports, there may be the chance of freezing food.



Location of Air Ports



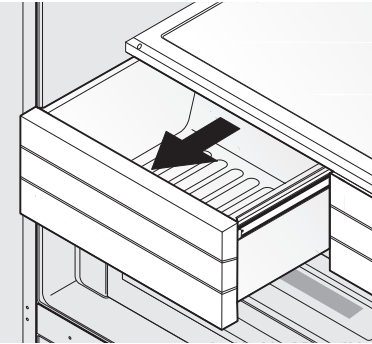
## CAUTION

To avoid personal injury or property damage, handle tempered glass shelves carefully. Shelves may break suddenly if nicked, scratched, or exposed to sudden temperature change. Allow the glass shelves to stabilize to room temperature before cleaning. Do not wash in dishwasher.

You can easily adjust shelf positions in the fresh food compartments to suit your needs.

## Crispers

Crisper drawers are designed for storing fruits, vegetables, and other fresh produce.



**Opening Crisper Drawer**

## Doors

### Storage bins

The doors to your fresh food compartment use a system of modular storage bins. All of these bins are removable for easy cleaning. Some of them have fixed positions, while others can be adjusted to your needs.

Door bins are ideal for storing jars, bottles, cans, and large drink containers. They also enable quick selection of frequently used items.

# STORING FOOD AND SAVING ENERGY

## Ideas for storing foods

### Fresh food storage

- Keep the fresh food compartment between 34°F and 40°F with an optimum temperature of 37°F.
- Avoid overcrowding the refrigerator shelves, which reduces air circulation and causes uneven cooling.
- Avoid placing food in front of air ports. (See Controls Section for illustration.)

### Fruits and vegetables

- Store fruits and vegetables in crisper drawers, where trapped moisture helps preserve food quality for longer time periods.
- Wash items and remove excess water.
- Wrap any items that have strong odors or high moisture content.

### Meat

- Wrap raw meat and poultry separately and securely to prevent leaks and contamination of other foods or surfaces.
- Store meat/poultry for short-term. Any meat to be kept longer than two days should be frozen.

### Frozen food storage

- Keep the freezer compartment at 0°F or lower.
- A freezer operates most efficiently when it is at least  $\frac{2}{3}$  full.

### Packaging foods for freezing

- To minimize food dehydration and quality deterioration, use aluminum foil, freezer wrap, freezer bags, or airtight containers. Force as much air out of the packages as possible and seal them tightly. Trapped air can cause food to dry out, change color, and develop an off-flavor (freezer burn).
- Wrap fresh meats and poultry with suitable freezer wrap prior to freezing.
- Do not refreeze meat that has completely thawed.

### Loading the freezer

- Prior to grocery shopping, activate "Quick Freeze" so that on your return you can ensure your newly purchased food designated for the freezer will be preserved as quickly as possible.

- Activating "Quick Freeze" also will help your freezer more efficiently maintain the selected temperature after placing new purchases with pre-existing frozen foods.
- Avoid adding too much warm food to the freezer at one time. This overloads the freezer, slows the rate of freezing, and can raise the temperature of frozen foods.
- Leave a space between packages, so cold air can circulate freely, allowing food to freeze as quickly as possible.

## Ideas for saving energy

### Installation

- Locate the refrigerator in the coolest part of the room, out of direct sunlight, and away from heating ducts or registers.
- Do not place the refrigerator next to heat-producing appliances such as a range, oven, or dishwasher. If this is not possible, a section of cabinetry or an added layer of insulation between the two appliances will help the refrigerator operate more efficiently.
- Level the refrigerator so that the doors close tightly.

### Temperature settings

- Refer to the "Controls" section for procedures on temperature settings.

### Food storage

- Avoid overcrowding the refrigerator or blocking cold air vents. Doing so causes the refrigerator to run longer and use more energy.
- Cover foods and wipe containers dry before placing them in the refrigerator. This cuts down on moisture build-up inside the unit.
- Organize the refrigerator to reduce door openings. Remove as many items as needed at one time and close the door as soon as possible.
- Do not place a hot container directly on a cold shelf. Remember, such an extreme temperature change may damage the glass.

## Protecting your investment

Keeping your refrigerator clean maintains its appearance and prevents odor build-up. Wipe up any spills immediately and clean the freezer and fresh food compartments at least twice a year.



### NOTE

Do not use abrasive cleaners such as window sprays, scouring cleansers, flammable fluids, cleaning waxes, concentrated detergents, bleaches, or cleansers containing petroleum products on plastic parts, interior doors, gaskets, or cabinet liners. Do not use paper towels, scouring pads, or other abrasive cleaning materials.

- Never use metallic scouring pads, brushes, abrasive cleaners, or strong alkaline solutions on any surface.
- Never use CHLORIDE or cleaners with bleach to clean stainless steel.
- Do not wash any removable parts in a dishwasher.
- Always unplug the electrical power cord from the wall outlet before cleaning.
- Remove adhesive labels by hand. Do not use razor blades or other sharp instruments which can scratch the appliance surface.
- Do not remove the serial plate. Removal of your serial plate voids your warranty.

Refer to the guide on the next page for details on caring and cleaning specific areas of your refrigerator.



### CAUTION

- Pull the refrigerator straight out to move it. Shifting it from side to side may damage flooring.
- Damp objects stick to cold metal surfaces. Do not touch refrigerated surfaces with wet or damp hands.

## Vacation and Moving Tips

Occasion	Tips
<b>Short Vacations</b>	<ul style="list-style-type: none"><li>• Leave refrigerator operating during vacations of three weeks or less.</li><li>• Use all perishable items from refrigerator compartment.</li></ul>
<b>Long Vacations</b>	<ul style="list-style-type: none"><li>• Remove all food and ice if you will be gone one month or more.</li><li>• Disconnect power cord.</li><li>• Clean interior thoroughly.</li><li>• Leave both doors open to prevent odors and mold build-up. Block doors open if necessary.</li></ul>
<b>Moving</b>	<ul style="list-style-type: none"><li>• Remove all food and ice.</li><li>• If using a handcart, load from the side.</li><li>• Pad cabinet to avoid scratching surface.</li></ul>

# CARE & CLEANING

Care & Cleaning Tips		
Part	What To Use	Tips and Precautions
<b>Interior &amp; Door Liners</b>	<ul style="list-style-type: none"> <li>• Soap and water</li> <li>• Baking soda and water</li> </ul>	Use two tablespoons of baking soda in one quart of warm water. <b>Be sure to wring excess water out of sponge or cloth before cleaning around controls, LED light or any electrical part.</b>
<b>Door Gaskets</b>	<ul style="list-style-type: none"> <li>• Soap and water</li> </ul>	Wipe gaskets with a clean soft cloth.
<b>Drawers &amp; Bins</b>	<ul style="list-style-type: none"> <li>• Soap and water</li> </ul>	Use a soft cloth to clean drawer runners and tracks.
<b>Glass Shelves</b>	<ul style="list-style-type: none"> <li>• Soap and water</li> <li>• Glass cleaner</li> <li>• Mild liquid sprays</li> </ul>	Allow glass to warm to room temperature before immersing in warm water.
<b>Exterior</b>	<ul style="list-style-type: none"> <li>• Soap and water</li> <li>• Non Abrasive Glass Cleaner</li> </ul>	Do not use commercial household cleaners containing ammonia, bleach or alcohol to clean. Use a soft cloth to clean. <b>DO NOT use a dry cloth to clean smooth doors.</b>

# BEFORE YOU CALL

**1-800-944-9044** (United States)  
**1-800-265-8352** (Canada)

Visit our web site at  
[www.frigidaire.com](http://www.frigidaire.com)

Before calling for service, review this list. It may save you time and expense. This list includes common occurrences that are not the result of defective workmanship or materials in this appliance.

Concern	Potential Cause	Common Solution
<b>Opening/Closing Of Doors/Drawers</b>		
Door(s) will not close.	<ul style="list-style-type: none"> <li>• Door was closed too hard, causing other door to open slightly.</li> <li>• Refrigerator is not level. It rocks on the floor when moved slightly.</li> <li>• Refrigerator is touching a wall or cabinet.</li> <li>• Food/package is obstructing the door from closing.</li> <li>• Flipper mullion on left fresh food door is not in the correct position.</li> </ul>	<ul style="list-style-type: none"> <li>• Close both doors gently.</li> <li>• Ensure floor is level and solid, and can adequately support the refrigerator. Contact a carpenter to correct a sagging or sloping floor.</li> <li>• Ensure floor is level and solid, and can adequately support the refrigerator. Contact a carpenter to correct a sagging or sloping floor.</li> <li>• Make sure there is no food/package blocking the doorway.</li> <li>• Ensure the flipper mullion is in the correct position to allow the door to close. (See <b>Flipper Mullion</b> section.)</li> </ul>
<b>Running of Refrigerator</b>		
Compressor does not run.	<ul style="list-style-type: none"> <li>• Plug at electrical outlet is disconnected.</li> <li>• House fuse blown or tripped circuit breaker.</li> <li>• Power outage.</li> </ul>	<ul style="list-style-type: none"> <li>• Ensure plug is tightly pushed into outlet.</li> <li>• Check/replace fuse with a 15 amp time-delay fuse. Reset circuit breaker.</li> <li>• Check house lights. Call local electric company.</li> </ul>
Refrigerator seems to run too much or too long.	<ul style="list-style-type: none"> <li>• The compressor cycles as needed and stops during the defrost cycle.</li> </ul>	<ul style="list-style-type: none"> <li>• It is normal that the compressor operates for a longer time in the summer. Do not store too much food in the freezer at one time. Do not place warm foods inside the refrigerator.</li> </ul>

# BEFORE YOU CALL

Concern	Potential Cause	Common Solution
<b>Water/Moisture/Frost Inside Refrigerator</b>		
Moisture collects on inside of refrigerator walls.	<ul style="list-style-type: none"> <li>• Weather is hot and humid.</li> </ul>	<ul style="list-style-type: none"> <li>• The rate of frost buildup and internal sweating increases.</li> </ul>
Water collects on bottom side of drawer cover.	<ul style="list-style-type: none"> <li>• Vegetables contain and give off moisture.</li> </ul>	<ul style="list-style-type: none"> <li>• It is not unusual to have moisture on the bottom side of the cover.</li> </ul>
Water collects in bottom of drawer.	<ul style="list-style-type: none"> <li>• Washed vegetables and fruit drain while in the drawer.</li> </ul>	<ul style="list-style-type: none"> <li>• Dry items before putting them in the drawer. Water collecting in bottom of drawer is normal.</li> </ul>
<b>Water/Moisture/Frost Outside Refrigerator</b>		
Moisture collects on outside of refrigerator or between doors.	<ul style="list-style-type: none"> <li>• Weather is humid.</li> </ul>	<ul style="list-style-type: none"> <li>• This is normal in humid weather. When humidity is lower, the moisture should disappear.</li> </ul>
<b>Food in Fresh Food Compartment</b>		
Food is freezing.	<ul style="list-style-type: none"> <li>• Temperature setting is too low.</li> <li>• Food is covering the air ports.</li> </ul>	<ul style="list-style-type: none"> <li>• Move the setting to a higher degree.</li> <li>• Allow space between the air ports and the food.</li> </ul>
<b>Loud Noise</b>		
Unusually loud noise	<ul style="list-style-type: none"> <li>• Unit not leveled.</li> <li>• Refrigerator parts not properly placed.</li> </ul>	<ul style="list-style-type: none"> <li>• To prevent rocking, ensure floor is level and solid. Level refrigerator.</li> <li>• Ensure interior parts are secure.</li> </ul>
<b>Lights</b>		
Lights not working	<ul style="list-style-type: none"> <li>• Lights are damaged.</li> <li>• There is no power.</li> </ul>	<ul style="list-style-type: none"> <li>• If lights are damaged have them replaced by a service technician.</li> <li>• Make sure the unit is fully connected to the power outlet.</li> </ul>
<b>Odors in Refrigerator</b>		
Odors	<ul style="list-style-type: none"> <li>• There is uncovered food in the refrigerator.</li> <li>• Spills.</li> </ul>	<ul style="list-style-type: none"> <li>• Foods that produce odor should be covered.</li> <li>• Clean interior as soon as spills occur.</li> </ul>



# MAJOR APPLIANCE WARRANTY

Your appliance is covered by a one year limited warranty. For one year from your original date of purchase, Electrolux will pay all costs for repairing or replacing any parts of this appliance that prove to be defective in materials or workmanship when such appliance is installed, used and maintained in accordance with the provided instructions.

## Exclusions

### This warranty does not cover the following:

1. Products with original serial numbers that have been removed, altered or cannot be readily determined.
2. Product that has been transferred from its original owner to another party or removed outside the USA or Canada.
3. Rust on the interior or exterior of the unit.
4. Products purchased "as-is" are not covered by this warranty.
5. Food loss due to any refrigerator or freezer failures.
6. Products used in a commercial setting.
7. Service calls which do not involve malfunction or defects in materials or workmanship, or for appliances not in ordinary household use or used other than in accordance with the provided instructions.
8. Service calls to correct the installation of your appliance or to instruct you how to use your appliance.
9. Expenses for making the appliance accessible for servicing, such as removal of trim, cupboards, shelves, etc., which are not a part of the appliance when it is shipped from the factory.
10. Service calls to repair or replace appliance light bulbs, air filters, water filters, other consumables, or knobs, handles, or other cosmetic parts.
11. Surcharges including, but not limited to, any after hour, weekend, or holiday service calls, tolls, ferry trip charges, or mileage expense for service calls to remote areas, including the state of Alaska.
12. Damages to the finish of appliance or home incurred during installation, including but not limited to floors, cabinets, walls, etc.
13. Damages caused by: services performed by unauthorized service companies; use of parts other than genuine Electrolux parts or parts obtained from persons other than authorized service companies; or external causes such as abuse, misuse, inadequate power supply, accidents, fires, or acts of God.

## DISCLAIMER OF IMPLIED WARRANTIES; LIMITATION OF REMEDIES

CUSTOMER'S SOLE AND EXCLUSIVE REMEDY UNDER THIS LIMITED WARRANTY SHALL BE PRODUCT REPAIR OR REPLACEMENT AS PROVIDED HEREIN. CLAIMS BASED ON IMPLIED WARRANTIES, INCLUDING WARRANTIES OF MERCHANTABILITY OR FITNESS FOR A PARTICULAR PURPOSE, ARE LIMITED TO ONE YEAR OR THE SHORTEST PERIOD ALLOWED BY LAW, BUT NOT LESS THAN ONE YEAR. ELECTROLUX SHALL NOT BE LIABLE FOR CONSEQUENTIAL OR INCIDENTAL DAMAGES SUCH AS PROPERTY DAMAGE AND INCIDENTAL EXPENSES RESULTING FROM ANY BREACH OF THIS WRITTEN LIMITED WARRANTY OR ANY IMPLIED WARRANTY. SOME STATES AND PROVINCES DO NOT ALLOW THE EXCLUSION OR LIMITATION OF INCIDENTAL OR CONSEQUENTIAL DAMAGES, OR LIMITATIONS ON THE DURATION OF IMPLIED WARRANTIES, SO THESE LIMITATIONS OR EXCLUSIONS MAY NOT APPLY TO YOU. THIS WRITTEN WARRANTY GIVES YOU SPECIFIC LEGAL RIGHTS. YOU MAY ALSO HAVE OTHER RIGHTS THAT VARY FROM STATE TO STATE.

## If You Need Service

Keep your receipt, delivery slip, or some other appropriate payment record to establish the warranty period should service be required. If service is performed, it is in your best interest to obtain and keep all receipts. Service under this warranty must be obtained by contacting Electrolux at the addresses or phone numbers below.

This warranty only applies in the USA and Canada. In the USA, your appliance is warranted by Electrolux Major Appliances North America, a division of Electrolux Home Products, Inc. In Canada, your appliance is warranted by Electrolux Canada Corp. Electrolux authorizes no person to change or add to any obligations under this warranty. Obligations for service and parts under this warranty must be performed by Electrolux or an authorized service company. Product features or specifications as described or illustrated are subject to change without notice.

## USA

1.800.944.9044

Frigidaire

10200 David Taylor Drive  
Charlotte, NC 28262



Electrolux

## Canada

1.800.265.8352

Electrolux Canada Corp.

5855 Terry Fox Way  
Mississauga, Ontario, Canada  
L5V 3E4