



BOSCH



Register your
appliance and join
the Bosch family of perks:
Enregistrez votre
appareil et profitez des
avantages Bosch :
registerbosch.com

Free-standing range

HIS5057U
HIS8657C

HIS5057C

HIS5657U

HIS8057U

HIS8657U

[en-us] Installation instructions

Table of contents

1	IMPORTANT SAFETY INSTRUCTIONS	3
1.1	Safety definitions	3
1.2	General information	3
1.3	General safety instructions	3
1.4	Appliance handling safety	4
1.5	Installation location	4
1.6	Safety codes and standards	4
1.7	Electrical safety	4
1.8	State of California Proposition 65 Warnings	4
1.9	Transport	4
2	BEFORE YOU BEGIN	6
2.1	Tools and parts needed	6
2.2	Parts included	6
2.3	Removing packaging	6
2.4	Appliance dimensions	7
2.5	Cabinet clearance requirements	8
2.6	Installation checklist	8
3	INSTALLATION PROCEDURE	9
3.1	How to remove the oven door	9
3.2	Fitting the rear vent trim	10
3.3	Fitting the adjustable feet	10
3.4	Install appliance	10
3.5	Installing the anti-tip bracket	11
4	ELECTRICAL CONNECTION	12
4.1	Connect electrical supply	12
4.2	Preparation for power connection	12
4.3	Four-wire range cord connection (recommended method)	13
4.4	Connecting the three-wire range cord (alternate method)	14
4.5	Connecting the four-wire flexible conduit	14
4.6	Connecting the three-wire flexible conduit	15
4.7	Testing the operation	15
5	Customer Service	16
5.1	Model number (E-Nr.) and production number (FD)	16
5.2	Rating plate location	16



IMPORTANT SAFETY INSTRUCTIONS

READ AND SAVE THESE INSTRUCTIONS

Read all of the instructions carefully before using the appliance. In order to reduce the risk of fire, electric shocks and personal injuries when using the appliance, follow the basic safety precautions, including the following safety instructions.

1.1 Safety definitions

Here you can find explanations of the safety signal words used in this manual.

WARNING

This indicates that death or serious injuries may occur as a result of non-observance of this warning.

CAUTION

This indicates that minor or moderate injuries may occur as a result of non-observance of this warning.

NOTICE

This indicates that damage to the appliance or property may occur as a result of non-compliance with this advisory.

Note: This alerts you to important information.

1.2 General information

Here you can find general information about this manual.

- Please read this manual carefully.
- Observe the safety instructions and warnings.
- Keep the manual and the product information in a safe place for future reference or for the next owner.
- Check the appliance for damage after unpacking it. Do not connect the appliance if it has been damaged in transit.

This appliance is intended for use up to a maximum height of 6,560 feet (2000 meters) above sea level.

1.3 General safety instructions

IMPORTANT: THE APPLIANCE MUST BE INSTALLED BY A QUALIFIED INSTALLER.

IMPORTANT: SAVE THESE INSTRUCTIONS FOR THE LOCAL ELECTRICAL INSPECTOR'S USE.

OWNER: PLEASE RETAIN THESE INSTRUCTIONS FOR FUTURE REFERENCE.

INSTALLER: LEAVE THESE INSTRUCTIONS WITH THE APPLIANCE AFTER INSTALLATION IS COMPLETE.

Examine the appliance after unpacking it. In the event of transport damage, do not plug it in.

WARNING

If the information in this manual is not followed exactly, fire or shock may result causing property damage or personal injury.

Do not repair, replace or remove any part of the appliance unless specifically recommended in the manuals. Improper installation, service or maintenance can cause injury or property damage.

- ▶ Refer to this manual for guidance.
- ▶ All other servicing should be done by an authorized service provider.

WARNING

TIP OVER HAZARD!

A child or adult can tip the range over and be killed.



- ▶ Install the anti-tip device to the structure and/or the range.
- ▶ Verify the anti-tip device has been properly installed and engaged.
- ▶ Engage the range to the anti-tip device. Ensure the anti-tip device is re-engaged when the range is moved.
- ▶ Re-engage the anti-tip device if the range is moved. Do not operate the range without the anti-tip device in place and engaged.
- ▶ See installation instructions for details.
- ▶ Failure to follow the instructions in this manual can result in death or serious burns to children and adults.
- ▶ Check for proper installation and use of the anti-tip bracket. Carefully tip the range forward pulling from the back to ensure that the anti-tip bracket engages the range leg and prevents tip-over. The range should not move more than 1" (2.5 cm).

WARNING

Never modify or alter the construction of the appliance.

- ▶ For example, do not remove leveling legs, panels, wire covers or anti-tip brackets/screws.

The appliance should only be used if installed by a qualified technician in accordance with these installation instructions and all applicable regulations and codes. The manufacturer is not responsible for any damage resulting from incorrect installation.

To eliminate the risk of burns or fire by reaching over heated surface units, cabinet storage space located above the surface units should be avoided.

- ▶ If cabinet storage is to be provided, the risk can be reduced by installing a hood that projects horizontally a minimum of 5" (127 mm) beyond the bottom of the cabinet.
- ▶ Verify that cabinets above the cooktop are a maximum of 13" (330 mm) deep.

WARNING

Remove all tape and packaging before using the appliance.

- ▶ Destroy the packaging after unpacking the appliance.
- ▶ Dispose of packaging in an environmentally responsible manner.
- ▶ Never allow children to play with packaging material.
- ▶ Store small parts safely as they can be a choke hazard.

Before starting up the appliance, remove any packaging material and adhesive film from the oven cavity and the door.



IMPORTANT SAFETY INSTRUCTIONS

READ AND SAVE THESE INSTRUCTIONS

1.4 Appliance handling safety

WARNING



Unit is heavy and requires at least two people or proper equipment to move.

- ▶ Do not lift appliance by door handle.
- ▶ Remove the door for easier handling and installation. See instructions in this manual.

WARNING



Hidden surfaces may have sharp edges.

- ▶ Use caution when reaching behind or under appliance.
- ▶ Wear gloves to avoid cutting fingers on sharp edges during installation.

WARNING

Do not use the oven for storage.

1.5 Installation location

To eliminate the risk of burns or fire by reaching over heated surface units, cabinet storage space located above the surface units should be avoided. If cabinet storage is to be provided, the risk can be reduced by installing a hood that projects horizontally a minimum of 5" (12.7 cm) beyond the bottom of the cabinet.

Verify that cabinets above the range are a maximum of 13" (330 mm) deep.

1.6 Safety codes and standards

This appliance complies with the latest version of one or more of the following standards:

- CAN/CSA C22.2 No. 61 - Household Cooking Ranges
- UL 858 - Household Electric Ranges

It is the responsibility of the owner and the installer to determine if additional requirements and/or standards apply to specific installations.

1.7 Electrical safety

- **Installer** - show the owner the location of the circuit breaker or fuse. Mark it for easy reference.
- If required by the National Electrical Code (or Canadian Electrical Code), this appliance must be installed on a separate branch circuit.
- Local codes vary. The installer is responsible for ensuring that the installation, connections, and grounding comply with all applicable codes. The manufacturer is not responsible for any issues associated with the improper installation of this product.
- Be sure your appliance is properly installed and grounded by a qualified technician.
- Be sure your appliance is properly installed and grounded by a qualified technician in accordance with the NFPA 70 or CSA C22.1 latest edition and local electrical code requirements.

- The circuit breaker should have a contact separation of at least 3 mm on all poles.
- Do not use an adapter.
- Refer to the rating plate for more information. → "Rating plate location", Page 16

WARNING

Before installing, turn power OFF at the service panel.

- ▶ Lock service panel to prevent power from being turned ON accidentally.

WARNING



ELECTRIC SHOCK HAZARD

- ▶ Disconnect power before installing or servicing. Before turning power ON, be sure that all controls are in the OFF position.
- ▶ DO NOT remove connections.
- ▶ DO NOT use an extension cord.
- ▶ Improper grounding can result in a risk of electric shock.
- ▶ Failure to follow these instructions can result in death, fire, or electrical shock.

WARNING

GROUNDING INSTRUCTIONS

- ▶ This appliance must be grounded.
- ▶ Grounding reduces the risk of electric shock by providing a safe pathway for electric current in the event of a short circuit.
- ▶ Be sure your appliance is properly installed and grounded by a qualified technician.
- ▶ Installation, electrical connections and grounding must comply with all applicable codes.

Do not use an extension cord. If the power supply cord is too short, have a qualified electrician install an outlet near the appliance.

Before you turn on power supply, make sure all controls are in the OFF position.

1.8 State of California Proposition 65 Warnings

This product may contain a chemical known to the State of California, which can cause cancer or reproductive harm. Therefore, the packaging of your product may bear the following label as required by California:

STATE OF CALIFORNIA PROPOSITION 65 WARNING:



WARNING

Cancer and Reproductive Harm - www.P65Warnings.ca.gov

1.9 Transport

Follow these precautions when transporting your appliance.

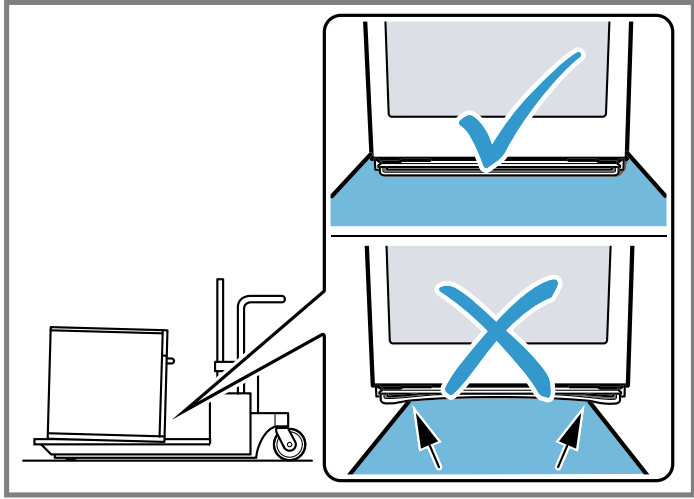


IMPORTANT SAFETY INSTRUCTIONS

READ AND SAVE THESE INSTRUCTIONS

NOTICE

To avoid damaging the appliance, use the transport method shown in the following picture.



2 Before you begin

Read these instructions before you begin to install your appliance.

This Installation Instructions covers several models. All graphics are representative. Your appliance may vary in appearance and features.

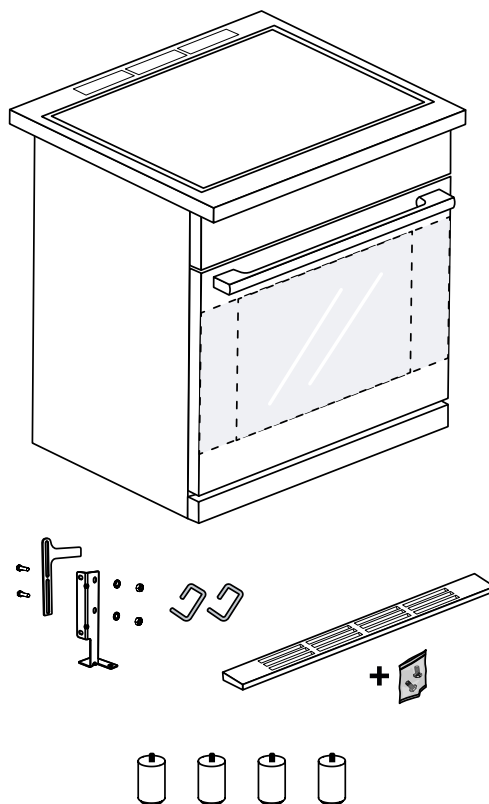
2.1 Tools and parts needed

- Cross head screwdriver
- Slotted screwdriver 1/8" (3,5 mm)
- Adjustable wrench
- Tongue and groove pliers
- Socket or flat wrench 3/8" (10 mm) or tongs
- Socket or flat wrench 7/8" (22 mm) or tongs
- Drill with 5/16" (8 mm) bit
- Pencil
- Measuring tape

Only needed for appliances without power cord:

- Tube hexagonal wrench with nut head 3/8" (10 mm)
- Tube hexagonal wrench with nut head 5/16" (8 mm)
- Power supply cord (only for USA)

2.2 Parts included



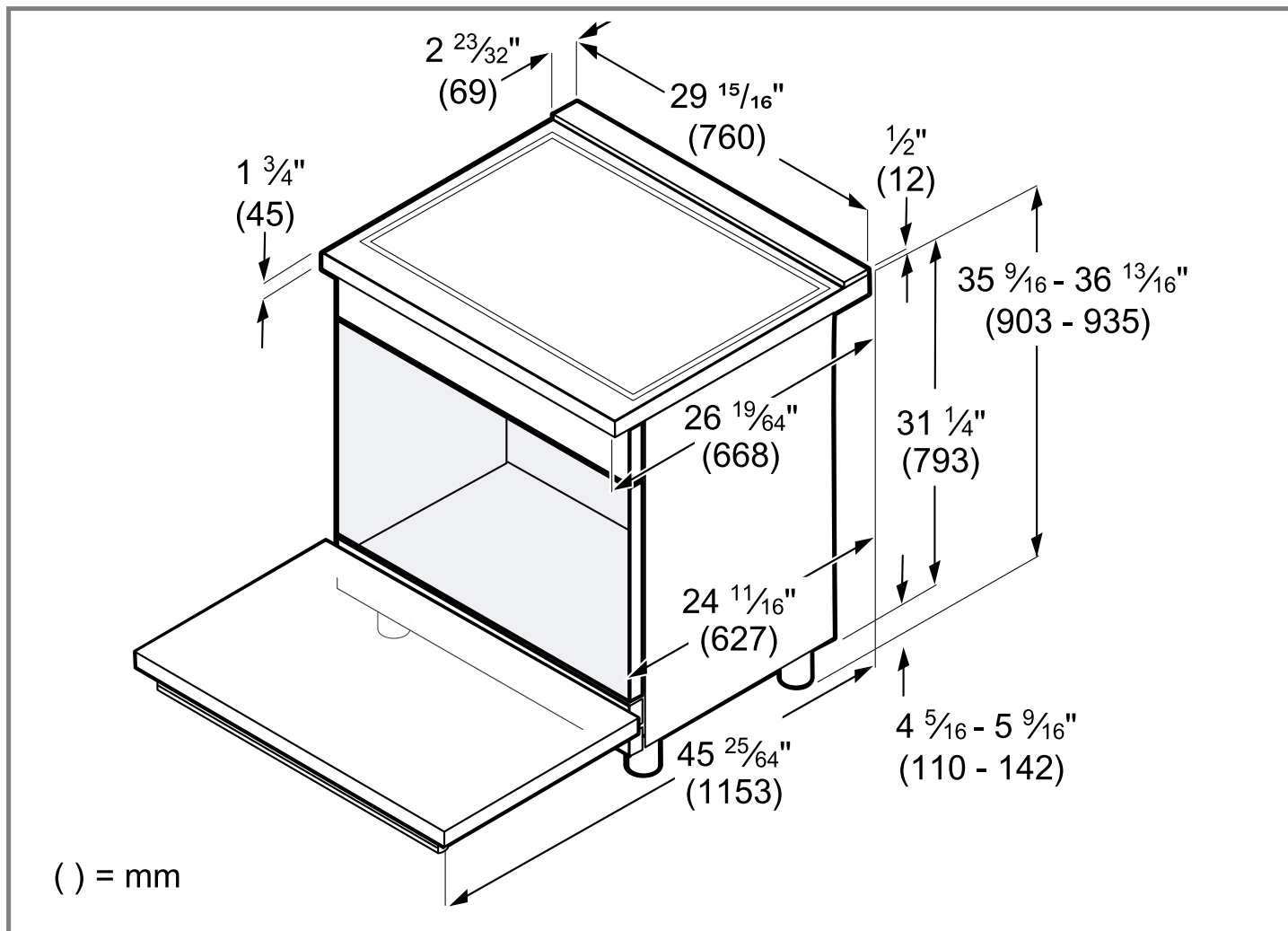
2.3 Removing packaging

See the diagram on the packaging.

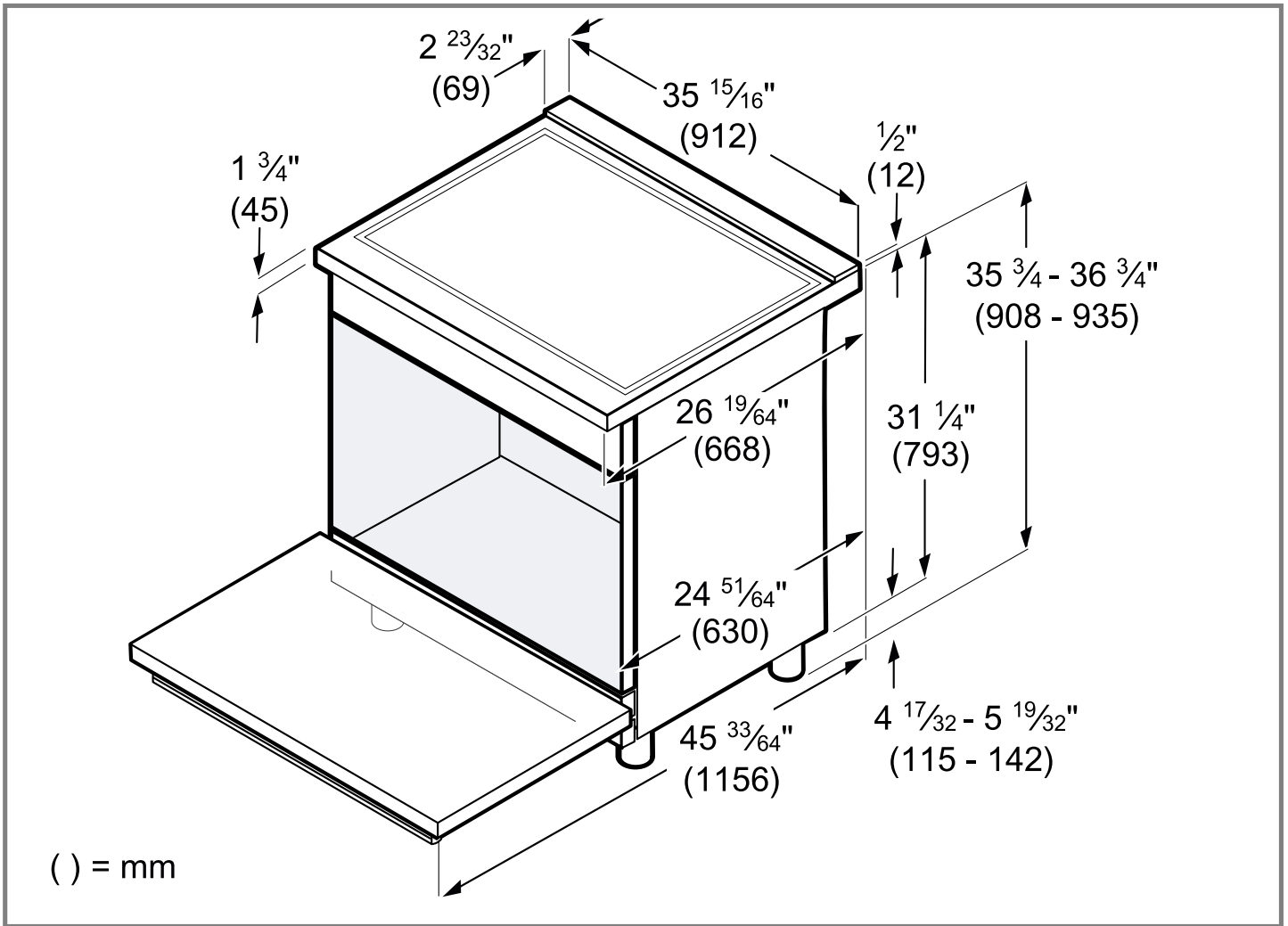
1. If straps are present, cut the straps.
2. Cut the plastic down the back of unit making sure not to cut the unit.
3. Remove the plastic film.
4. Lift the cardboard carton from the top of the range and dispose of it.
5. Remove the corner posts, making sure that any other packaging materials running between the corner posts are also removed.
6. Remove all internal packaging and tape.
7. The rear vent trim is nested in the styrofoam packaging for shipping purposes. Do not throw it away.

2.4 Appliance dimensions

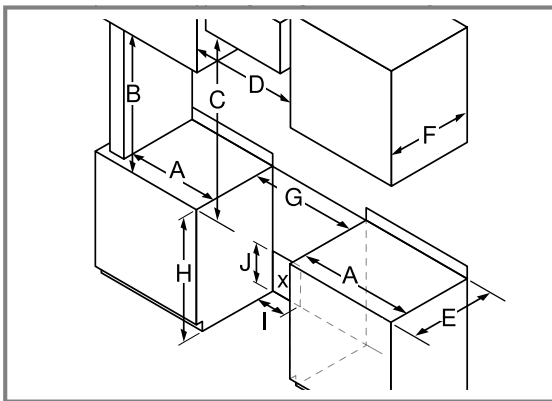
30" Ranges



36" Ranges



2.5 Cabinet clearance requirements



X Grounded Outlet

The distances that must be maintained when installing the range shall be:

A	min. 7" (178 mm)
B	min. 18" (457 mm)
C	min. 30" (762 mm) clearance between the top of the cooking surface and the bottom of the unprotected wood or metal cabinet
D	30": min. 30" (762 mm) 36": min. 36" (914 mm)

E	min. 25" (635 mm)
F	max. 13" (330 mm)
G	30": min. 30" (762 mm) 36": min. 36" (914 mm) Zero clearance between adjacent combustible construction below the countertop surface and sides of the appliance
H	35 ³ / ₈ " - 36 ⁵ / ₈ " (898 - 930 mm)
I	max. 11" (279 mm)
J	max. 7" (178 mm)

From the cooking surface to side materials: no clearance is required from unit walls to adjacent vertical combustible walls on rear, right or left.

2.6 Installation checklist

Please refer to the following pages for complete installation instructions. Use this checklist to verify that you have completed each step of the installation process. This can help you avoid mistakes.

✓	Installation step Before installing the range, be sure to verify the cabinet dimensions are correct for your unit and that the required electrical connections are present.
---	---

✓	Installation step
	Before installing the range, make sure that any opening in the wall behind the appliance and in the floor under the appliance shall be sealed.
	Read this installation manual for content regarding Safety, Cabinet Dimensions, Removing Packaging, Electrical Installation and Customer Service.
	Removing the oven door prior to installation reduces the unit weight and makes the range easier to move. Additionally, the removal of the oven door provides access to handholds for lifting.

✓	Installation step
	Install and adjust the feet.
	Move the range (2 people needed) into place in front of the installation opening, leaving the bottom packaging on the unit to avoid damaging flooring.
	Plug the range into a properly configured receptacle.
	Protect the flooring from damage, then slide the unit all the way into place, making sure to route the power cord correctly.
	Reinstall the oven door.
	Make sure the anti-tip bracket is engaged.

3 Installation procedure

3.1 How to remove the oven door

⚠ WARNING

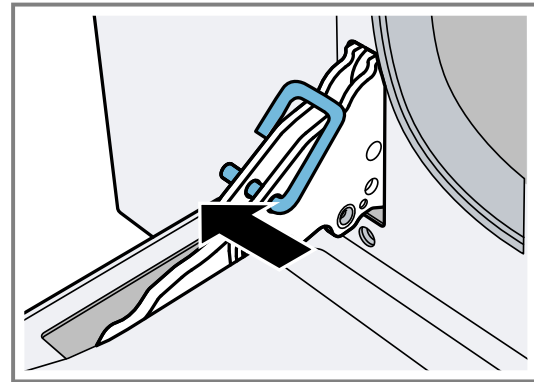
Failure to follow these instructions when removing the oven door may lead to personal injury or product damage.

- ▶ Make sure oven is cool and power to the oven has been turned off before removing the door. Failure to do so could result in electrical shock or burns.
- ▶ The oven door is heavy and parts of it are fragile. Use both hands to remove the oven door.
- ▶ The door front is glass. Handle it carefully to avoid breakage.
- ▶ Grasp only the side of the oven door. Do not grasp the handle. It may swing in your hand and cause damage or injury. Failure to grasp the oven door firmly and properly could result in personal injury or product damage.
- ▶ To avoid injury from hinge bracket snapping closed, be sure both levers are securely locked in place before removing the door.
- ▶ Do not force the door open or closed to avoid damaging the hinge and risking injury.
- ▶ Do not place the removed door on sharp or pointed surfaces or objects to avoid breaking the glass or damaging the door. Lay on a flat, smooth surface where it is securely positioned to prevent it from moving or falling.

Note: To avoid injury or damage, make sure that you read the above WARNING before attempting to remove the oven door.

1. Open the oven door to its fully open position.

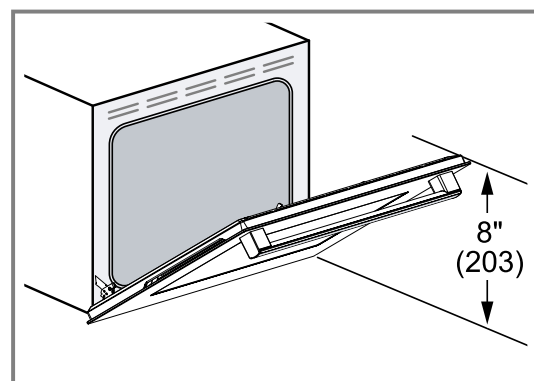
2. Lock the two hinges on the left and right using the locking pin. The locking pins must be fully inserted into the holes in the hinges.



3. **⚠ CAUTION**

Closing the door by 8" (203 mm) takes the pressure off the spring. If this is not done, the door can still be removed but the latch will now slam shut and may pinch or cut your hand.

Close the oven door until it catches on the hinge stop levers, locking the hinges at the correct angle for door removal. The door can be removed when it is pulled up from the open position by about 8 inches (203 mm). This takes the tension off the spring-loaded hinges so that the door can be easily lifted out.



4. The door is heavy. Use both hands to firmly grip it by the sides. Do not grip the door by the handle. Keep-

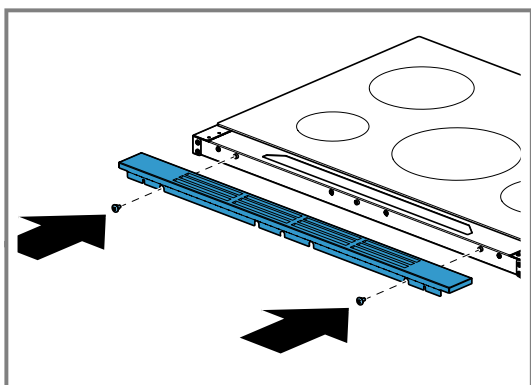
ing the angle of the door the same, lift the door straight up approximately 3/4" (19 mm) to unhook the hinges from the slots. Pull the door out towards you until the hinges are clear of the oven housing.

5. Place the door in a convenient and stable location for cleaning.
6. Refit the door in the reverse order in which it was removed.

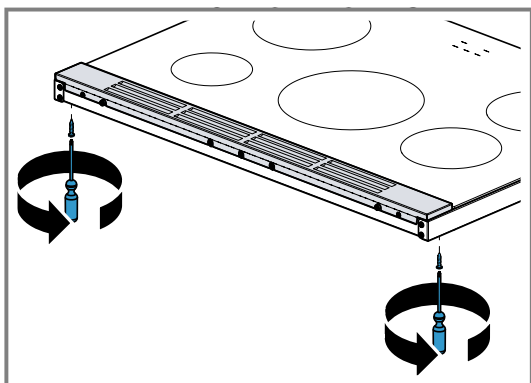
Note: Do not throw away the locking pins. Keep them in a safe place. They will be needed anytime the door is removed from the appliance.

3.2 Fitting the rear vent trim

1. The rear vent trim is nested in the styrofoam packaging. Remove the packaging and the protective film from the rear vent trim. Remove the bag with screws attached to the rear vent trim.
2. Place the rear vent trim on the rangetop frame and fasten it with short screws from the attached bag.



3. Take the long screws from the attached bag and insert and tighten them from below.



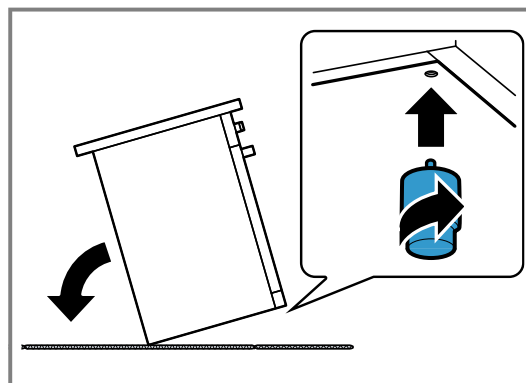
3.3 Fitting the adjustable feet

NOTICE

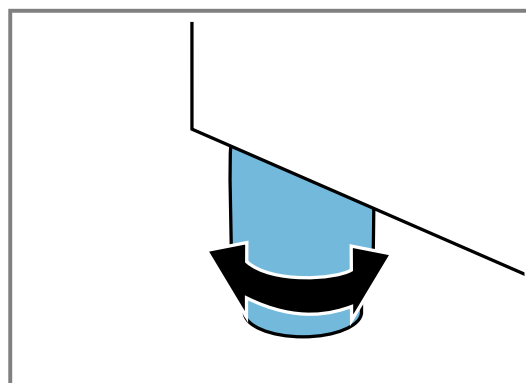
Do not use the door handle or projecting control panel for carrying.

1. **NOTICE:** In order to prevent the risk of damaging the feet during installation, they must be installed as close as possible from the final appliance location. Move the appliance as close as possible to the final appliance location.
2. **NOTICE:** Protect the floor. Remove all parts that are not permanently fixed, especially the pan supports and burners.
3. Remove the accessories from the oven.

4. Tilt the appliance and put it to the floor on the back-side.



5. Screw the adjustable feet into the mounting holes on the underside of the appliance.
6. Screw the adjustable feet in fully.
7. **NOTICE:** Feet or appliance bottom case can be damaged while moving the appliance back onto its feet. Carefully move the appliance back onto its feet.
8. Turn the adjustable feet to align the appliance.



Notes

- Measure the installation height of the cabinetry and adjust appliance height accordingly prior to placing appliance in cabinetry.
- Carefully move the appliance to its final position, only if legs are well adjusted.

3.4 Install appliance

WARNING

TIP OVER HAZARD!

A child or adult can tip the range over and be killed.

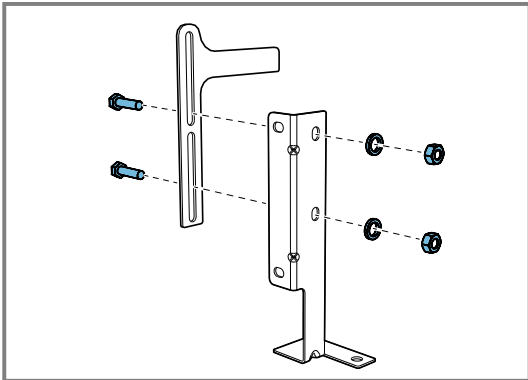


- ▶ Install the anti-tip device to the structure and/or the range.
- ▶ Verify the anti-tip device has been properly installed and engaged.
- ▶ Engage the range to the anti-tip device. Ensure the anti-tip device is re-engaged when the range is moved.
- ▶ Re-engage the anti-tip device if the range is moved. Do not operate the range without the anti-tip device in place and engaged.
- ▶ See installation instructions for details.

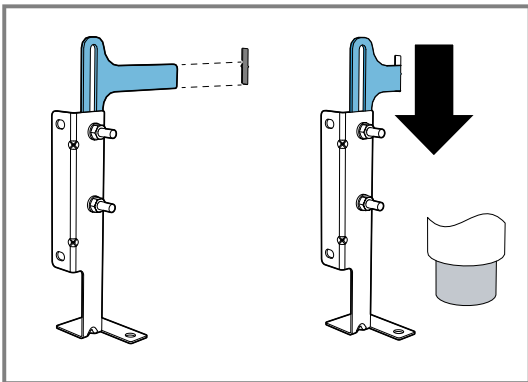
- ▶ Failure to follow the instructions in this manual can result in death or serious burns to children and adults.
- ▶ Check for proper installation and use of the anti-tip bracket. Carefully tip the range forward pulling from the back to ensure that the anti-tip bracket engages the range leg and prevents tip-over. The range should not move more than 1" (2.5 cm).

3.5 Installing the anti-tip bracket

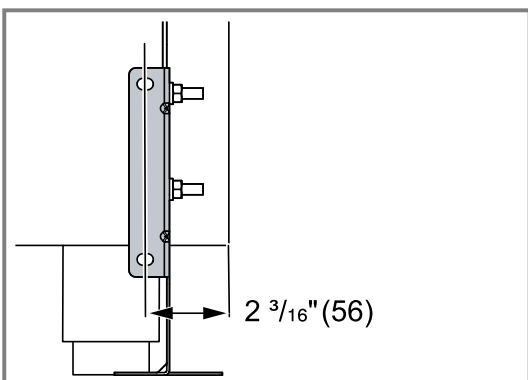
1. Ensure that the electrical connection is in the correct position.
2. Assemble the bracket.



3. Align the base of the hook of the bracket with the base on the slot of the rear wall fastening bracket. Align the base of the fastening bracket with the ground and tighten the screws to fix the measurements.

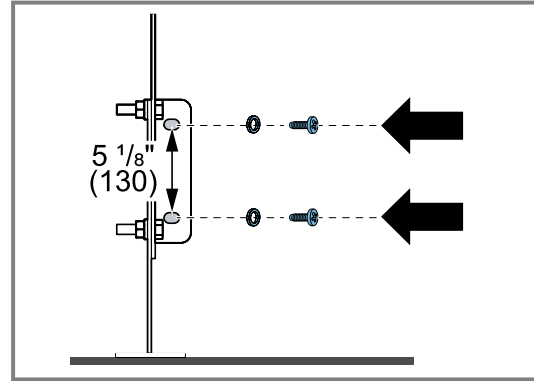


4. For wall mounting, proceed with steps 5–7 and 10. For floor mounting, proceed with steps 8–9 and 10.
5. Use the specified distance from the side of the appliance to the bracket holes.

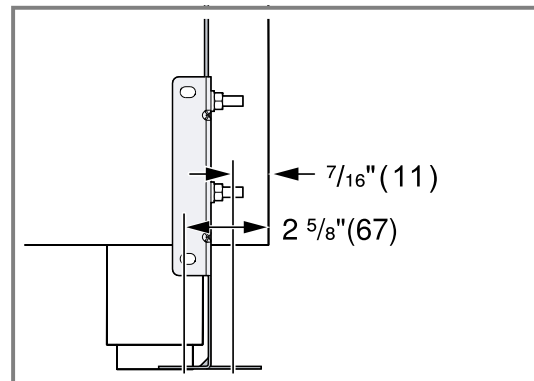


6. Move the bracket onto the wall and fix with the two washers and screws. A qualified technician must ver-

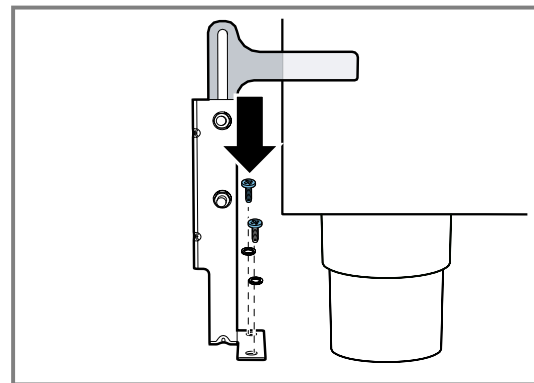
ify suitability of the materials in accordance with the type and condition of the wall.



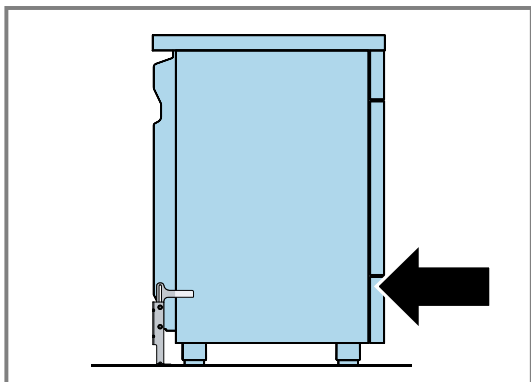
7. Use the following distances for the distance from the side of the appliance to the bracket holes.



8. After having positioned and leveled the appliance, move the bracket close to the rear of the appliance and anchor it to the floor with the two washers and screws. A qualified technician must verify suitability of the materials in accordance with the type and condition of the floor.



9. Push the cooker towards the wall, and at the same time, insert the bracket in the plate fastened to the rear of the appliance.




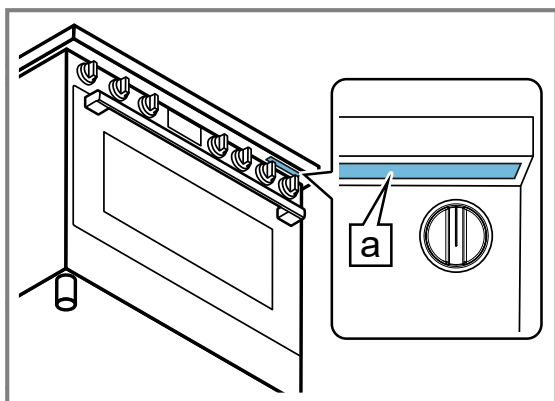
10. Check for proper installation and use of the anti-tip bracket. Carefully tip the range forward pulling from the back to ensure that the anti-tip bracket engages the range leg and prevents tip-over. The range should not move more than 1" (2.5 cm).

4 Electrical connection

Read these instructions to safely connect your appliance to the electrical supply.

4.1 Connect electrical supply

This dual-fuel range may be connected using an electric range cord or using a flexible conduit electrical connection. The length must be at least 5 ft (1.5 m). For technical specifications see the rating label  on the underside of the projecting control panel.



Do not use multiple outlets, extension cords or adapters.

Note

- In Canada, the range is shipped from the factory with the power cord already installed.
- We recommend that only qualified persons add a power cord or make electrical connections to this appliance.

For installations other than those in Canada, connect the power cord at the terminal block. Access the terminal block by removing the cover in the lower right-hand corner of the range back panel.

WARNING

ELECTRICAL GROUNDING INSTRUCTIONS

- ▶ This appliance (HIS5.57., HIS8.57..) is equipped with a four-prong grounding plug for your protection against shock hazard and should be plugged directly into a properly grounded receptacle. Do not cut or remove the grounding prong from this plug.

4.2 Preparation for power connection

WARNING

Risk of Electric Shock or Fire.

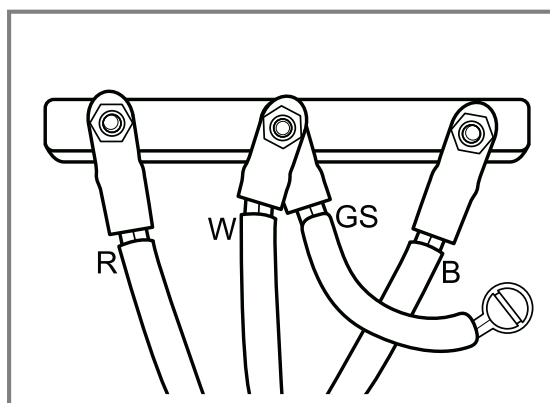
Grounding through the neutral conductor is prohibited for new branch-circuit installations (1996 NEC), mobile homes, and recreational vehicles, or in an area where local codes prohibit grounding through the neutral conductor.

For installations where grounding through the neutral conductor is prohibited: (a) disconnect the link from the neutral, (b) use grounding terminal or lead to ground unit, (c) connect neutral terminal to lead branch circuit neutral in the usual manner. When the appliance is to be connected by means of a cord kit, use 4-conductor cord for this purpose.

Use only cord kits rated 208/240 volts, 50 amperes, with ring or fork type connector and labelled "For use with ranges". Only 50 A rated cord kits that are marked for use with nominal 1-3/8 in (34.93 mm) diameter connection openings may be used. Use only flexible conduit with wires with ring or fork type connectors. Strain relief provided with the cord must be installed per instructions included with the cord.

The nuts for supply cable fixing come separately in an accessory bag.

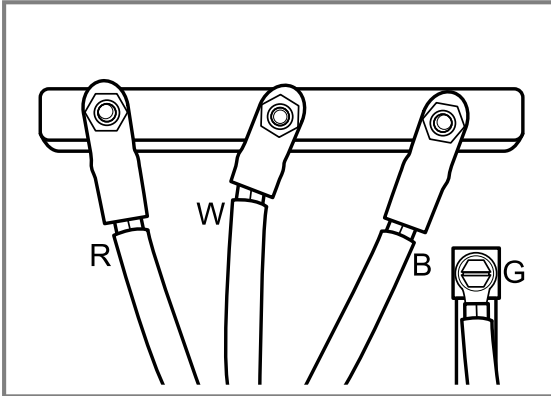
3-Wire Hookup



R Red

W	White
GS	Grounding Strip
B	Black

4-Wire Hookup



R	Red
W	White
G	Green
B	Black

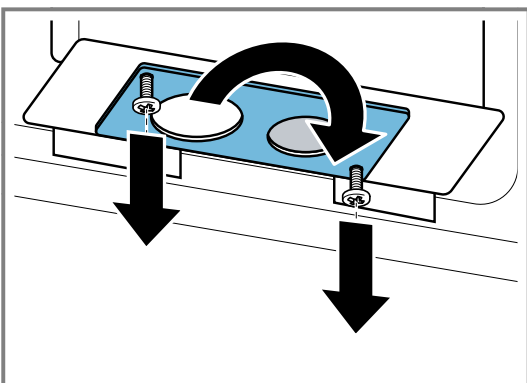
⚠ WARNING

To prevent electrical shock, the grounding prong on the range cord should not be cut or removed under any circumstances.

- ▶ It must be plugged into a matching grounding type receptacle and connected to a correctly polarized 240-Volt circuit.
- ▶ If there is any doubt as to whether the wall receptacle is properly grounded, have it checked by a qualified electrician.

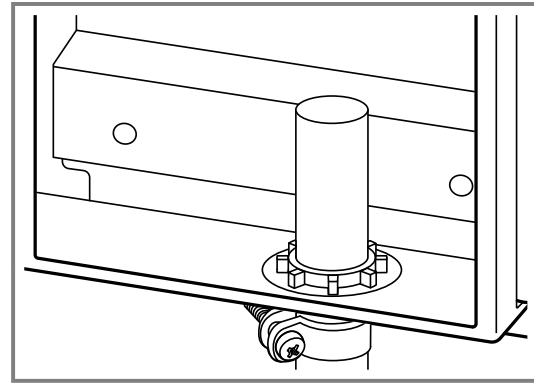
4.3 Four-wire range cord connection (recommended method)

1. Disconnect the electrical power at the breaker box. Remove the terminal block cover to expose the terminal block.
2. If you need a larger hole for the strain relief (not provided with range) remove the metal plate. Rotate it 180° to have the larger hole for the power supply cable and mount it again.



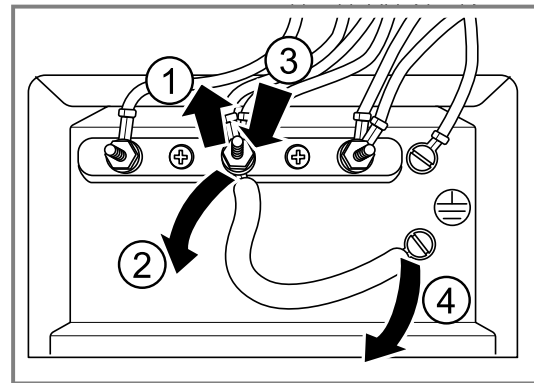
3. Insert the power supply cable into the terminal block through the bottom hole.
4. Mount strain relief (not provided with range) through the hole of the metal plate in the back panel located

below the terminal block and secure tightly. Route the wires of the power supply cable through the strain relief and tighten clamp.

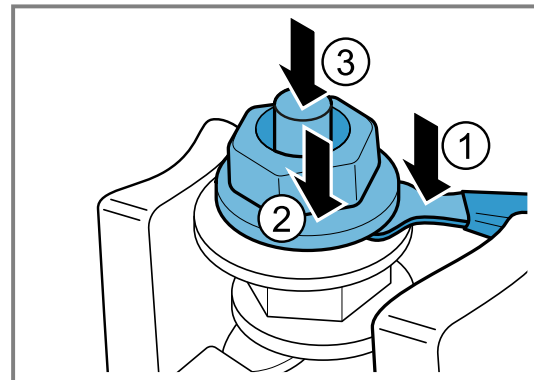


Make sure the strain relief is secured properly.

5. Remove the grounding strap from the center post on the terminal block. Therefore remove the hexagonal nut of the neutral pin. Remove the fork type connector of the grounding link. Mount the hexagonal nut on the neutral pin again. Remove the green hexagonal screw and the ring connector from the grounding. The strap will not be needed. Remove it from the unit.



6. Attach the insulated grounding wire to the grounding hole with the green grounding screw. Tighten the green hexagonal screw firmly, but do not overtighten.
7. Insert the flat washer.
8. Attach the red wire to the left junction block terminal using one of the hexagonal nuts.



The nuts for supply cable fixing come separately in an accessory bag.

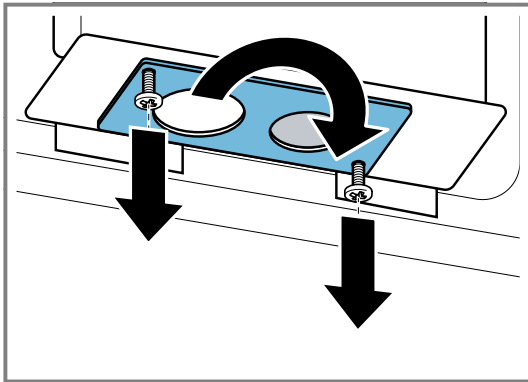
9. Attach the white wire to the center junction block terminal using one of the hexagonal nuts. The nuts for supply cable fixing come separately in an accessory bag.

10. Attach the black wire to the right junction block terminal using one of the hexagonal nuts. The nuts for supply cable fixing come separately in an accessory bag.
11. Tighten all connections securely and replace terminal block cover. Do not plug in the range at this time.

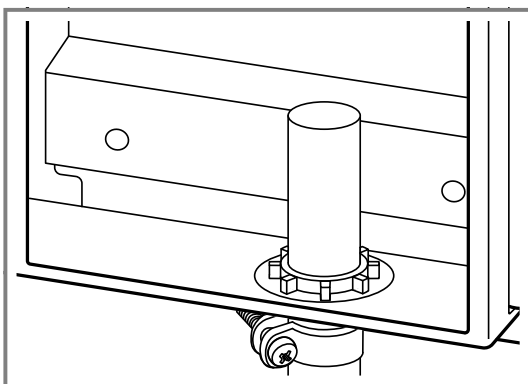
4.4 Connecting the three-wire range cord (alternate method)

The four-wire connection (above) is preferred, but where local codes and ordinances permit grounding through the neutral and where conversion to four-wire is impractical, the unit can be connected to the power supply via a three-wire connection.

1. Disconnect the electrical power at the breaker box. Remove the terminal block cover to expose the terminal block.
2. If you need a larger hole for the strain relief (not provided with range) remove the metal plate. Rotate it 180° to have the larger hole for the power supply cable and mount it again.

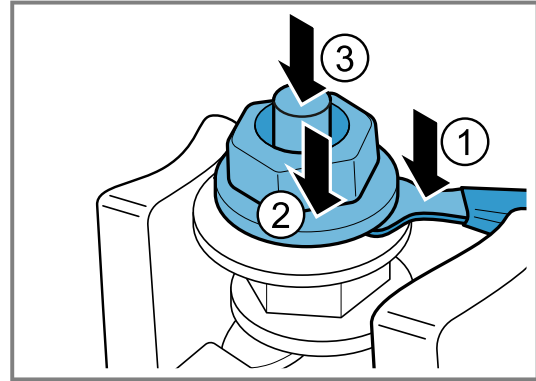


3. Insert the power supply cable into the terminal block through the bottom hole.
4. Mount strain relief (not provided with range) through the hole of the metal plate in the back panel located below the terminal block and secure tightly. Route the wires of the power supply cable through the strain relief and tighten clamp.



- Make sure the strain relief is secured properly.
5. Insert the flat washer.

6. Attach the red wire to the left junction block terminal using one of the hexagonal nuts.

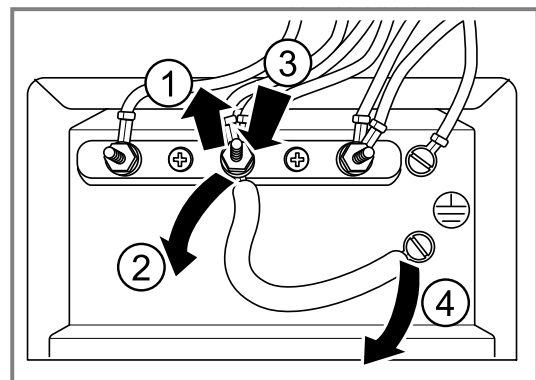


The nuts for supply cable fixing come separately in an accessory bag.

7. Attach the white wire to the center junction block terminal using one of the hexagonal nuts. The nuts for supply cable fixing come separately in an accessory bag.
8. Attach the black wire to the right junction block terminal using one of the hexagonal nuts. The nuts for supply cable fixing come separately in an accessory bag.
9. Tighten all connections securely and replace terminal block cover. Do not plug in the range at this time.

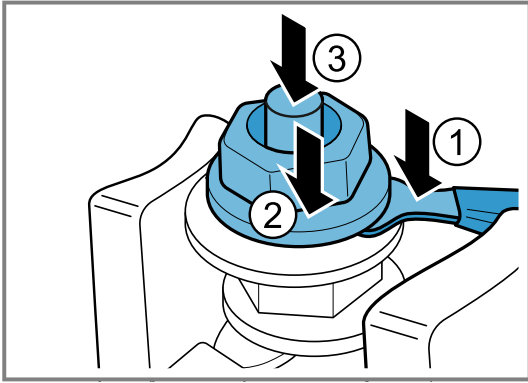
4.5 Connecting the four-wire flexible conduit

1. Disconnect the electrical power at the breaker box. Remove the terminal block cover to expose the terminal block.
2. Insert the power supply cable into the terminal block through the bottom hole.
3. Remove the grounding strap from the center post on the terminal block. Therefore remove the hexagonal nut of the neutral pin. Remove the fork type connector of the grounding link. Mount the hexagonal nut on the neutral pin again. Remove the green hexagonal screw and the ring connector from the grounding. The strap will not be needed. Remove it from the unit.



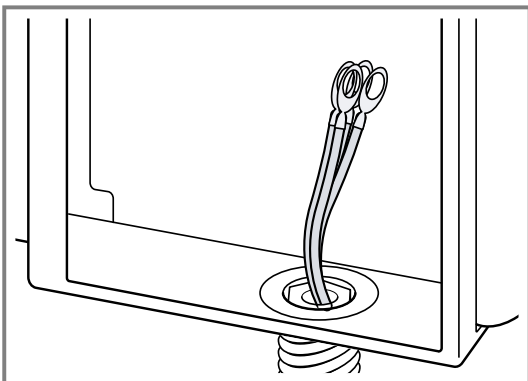
4. Attach the insulated grounding wire to the grounding hole with the green grounding screw. Tighten the green hexagonal screw firmly, but do not overtighten.
5. Insert the flat washer.

- Attach the red wire to the left junction block terminal using one of the hexagonal nuts.



The nuts for supply cable fixing come separately in an accessory bag.

- Attach the white wire to the center junction block terminal using one of the hexagonal nuts. The nuts for supply cable fixing come separately in an accessory bag.
- Attach the black wire to the right junction block terminal using one of the hexagonal nuts. The nuts for supply cable fixing come separately in an accessory bag.
- ⚠ WARNING**
The strain relief provided with your range cord must be installed correctly. Properly secure strain relief.



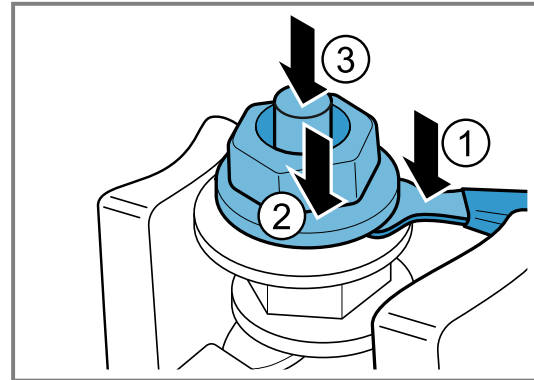
- Tighten all connections securely and replace terminal block cover. Do not plug in the range at this time.

4.6 Connecting the three-wire flexible conduit

The four-wire connection is preferred, but where local codes and ordinances permit grounding through neutral and/or conversion to four-wire is impractical, the unit can be connected to the power supply via a three-wire connection.

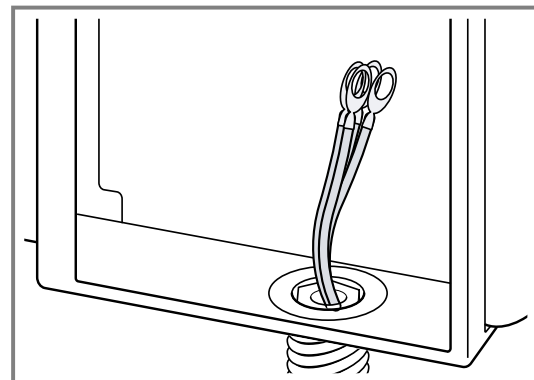
- Disconnect the electrical power at the breaker box. Remove the terminal block cover to expose the terminal block.

- Insert the power supply cable into the terminal block through the bottom hole.
- Insert the flat washer.
- Attach the red wire to the left junction block terminal using one of the hexagonal nuts.



The nuts for supply cable fixing come separately in an accessory bag.

- Attach the white wire to the center junction block terminal using one of the hexagonal nuts. The nuts for supply cable fixing come separately in an accessory bag.
- Attach the black wire to the right junction block terminal using one of the hexagonal nuts. The nuts for supply cable fixing come separately in an accessory bag.
- ⚠ WARNING**
The strain relief provided with your range cord must be installed correctly. Properly secure strain relief.



- Tighten all connections securely and replace terminal block cover. Do not plug in the range at this time.

4.7 Testing the operation

Check if your unit is working properly after you have completed the installation steps.

- Turn on power at the breaker.
- To test the oven select the **bake** mode. See the User Manual for detailed operating instructions.
- Verify that the oven light comes on and the oven begins to preheat.

5 Customer Service

With any warranty repair, we will make sure your appliance is repaired by an authorized service provider using genuine replacement parts. We use only genuine replacement parts for all repairs.

You can obtain function-relevant and storable genuine spare parts from our Customer Service for up to 15 years from the date on which your appliance was placed on the market.

For more information, please contact our Customer Service team.

Detailed information on the warranty period and terms of warranty can be found in the Statement of Limited Product Warranty, from your retailer, or on our website.

USA:

1-800-944-2904

www.bosch-home.com/us/owner-support/get-support

www.bosch-home.com/us/shop

CA:

1-800-944-2904

www.bosch-home.ca/en/service/get-support

www.bosch-home.ca/en/service/cleaners-and-accessories

5.1 Model number (E-Nr.) and production number (FD)

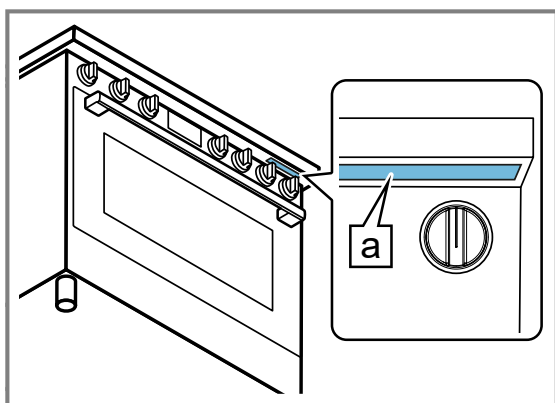
If you contact Customer Service, you will need the product number (E-Nr.) and production number (FD), which you can find on the appliance's rating label.

Making a note of your appliance's details and the Customer Service telephone number will enable you to find them again quickly.

5.2 Rating plate location

You can find the rating plate of your appliance:

- on the underside of the projecting control panel.
- on the rear of the appliance.



a Rating plate



Register your appliance to enjoy customized benefits.

Thank you for being a Bosch customer!

Simply create a MyBosch account, then register your appliance.

You'll find a variety of customized information in MyBosch such as:

- **Discounts for filters, cleaners, accessories & parts**
- **Easy access to manuals & appliance specifications**
- **Easy access to part lists**
- **Customized offer for the Bosch Appliance Service Plan (sent by mail after appliance registration)**

Register here:

www.bosch-home.com/us/owner-support/mybosch



Looking for help? You'll find it here.

No matter what, no matter when: Bosch is here to support you.

We're here to assist with usage instructions, cleaning tips, accessories & parts, troubleshooting, and repairs.

Find online resources such as FAQs, how-to-videos, manuals, warranties and authorized Bosch servicers at:

www.bosch-home.com/us/owner-support/get-support

Contact us:

Please have your model Number (E-Nr) ready when contacting us.

1-800-944-2904

www.bosch-home.com/us/owner-support/contact-us

BSH Home Appliances Corporation

1901 Main Street, Suite 600

Irvine, CA 92614

USA

www.bosch-home.com

1-800-944-2904

© 2026 BSH Home Appliances Corporation



9002047007 (060508)

en-us