

Dishwashers

EWDW6505GS

Featuring Wave-Touch™ Electronic Controls



Wave-Touch™ Controls

Features fully integrated Wave-Touch™ controls. One simple touch and the control panel activates. Includes 9 wash cycles and 5 dishcare options to make it a most versatile dishwasher.



Quietest in its Class*

So quiet you can run it whenever you want and no one will notice. Tested to 45 dBA sound level.



Sure-2-Fit™ Racking System

The most versatile dishware racking system – there's a perfect place for over 180 items, from chopsticks to stockpots to stemware. There's also an adjustable/removable top rack for the utmost flexibility.



Largest Usable Capacity

Largest usable capacity** in its class so all of your dinner party dishware fits.

24" BUILT-IN DISHWASHERS

ENERGY STAR®	Yes
Sabbath Mode (Star-K® Approved for Storage)	Yes

Features

Stainless Steel Interior	Yes
Signature Soft-Arc Door and Handle Design	Yes
Luxury-Hold™ Door	Yes
Wave-Touch™ Electronic Controls	Yes
Fully Integrated Control Panel	Yes
Tall Tub Design	Yes
Smart Soil Sensor™	Yes
Luxury-Quiet™ Sound Package	Yes
Wash Levels	5
AquaLux™ Wash System	Yes
Luxury-Dry™ Power Dry System	Yes
Adjustable Rinse Aid Dispenser with Indicator	Yes

Cycles

Auto Wash	Yes
Heavy	Yes
Normal	Yes
Favourite	Yes
Quick	Yes
Delicate	Yes
Eco Wash	Yes
Perfect Stemware™	Yes
Rinse Only	Yes

Options

Hi-Temp. Wash	Yes
Hi/Low Pressure	Yes
Air Dry	Yes
NSF® Certified Sanitize Option	Yes
Delay Start (Hours)	30 min. – 24 hrs.

Rack System

Sure-2-Fit™ Nylon Rack System	Yes
Luxury-Glide™ Nylon Upper Rack –	
Adjustable Height	Yes
Cup Shelf/Stemware Holder	2/Yes
Cup Clips	4
Perfect Stemware™ Holder	Yes
Fold-Down Tines	4 Rows
Rack Handle	Yes
Versa-Tray™	Yes
Luxury-Glide™ Nylon Lower Rack –	
Fold-Down Tines	6 Rows
Rack Handle	Yes
Knife Holder	Yes
Utility Tray/Shelf	Yes
Stemware/Champagne Glass Holders	4
Silverware Basket	3-Piece Split
Special Items Cover/Mesh Basket	Yes

Colour/UPC (0-12505-)

Stainless Steel (S)	11042-9
---------------------	---------

Specifications

Overall Exterior Dimensions –	
Height (Adjustable)	33-7/8" – 34-7/8"
Width	23-3/4"
Depth (to Center of Arc)	24-5/8"
(with 90° Door Open)	49-7/8"
Power Supply/Water Inlet Location	Middle Bottom Rear
Leveling Legs	Yes
Water Usage (Gallons) – Normal Cycle	4.9 – 8.5
Water Pressure (PSI)	15 – 120
Voltage Rating	120V/60Hz/15A
Connected Load (kW Rating) @ 120 Volts†	1.44
Amps @ 120 Volts	9
Product Weight	98 Lbs.
Shipping Weight	115 Lbs.

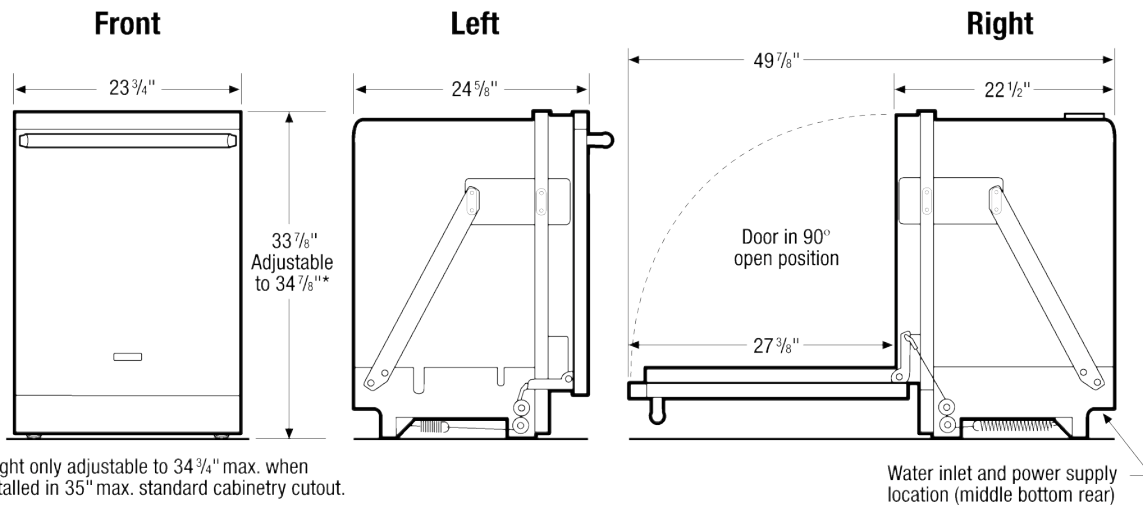
†For use on adequately wired 120V, dedicated circuit having 2-wire service with a separate ground wire. Appliance must be grounded for safe operation.

NOTE: Always consult local and/or national electric codes. Refer to Product Installation Guide for detailed installation instructions on the web at www.electroluxappliances.ca. Specifications subject to change.

*Based on published MSRP and specifications.

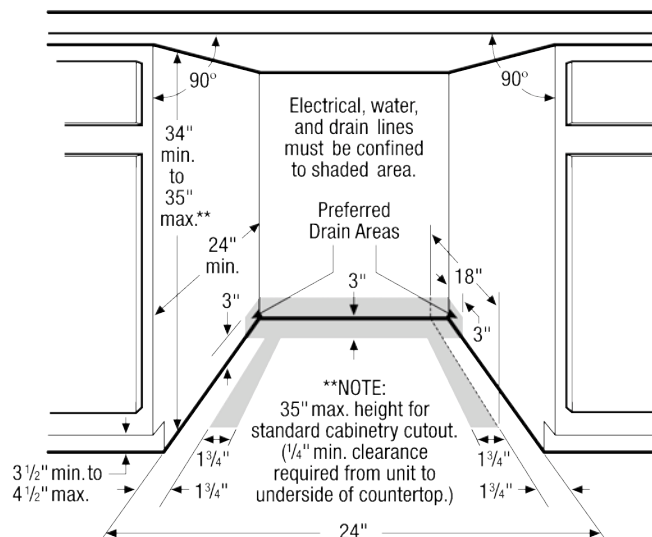
**As measured by adjusted rack space.





*Height only adjustable to 34 3/4" max. when installed in 35" max. standard cabinetry cutout.

Water inlet and power supply location (middle bottom rear)



Built-In Dishwasher Specifications

- Product Weight – 98 Lbs.
- Voltage Rating – 120V/60Hz/15 Amps
- Connected Load (kW Rating) @ 120 Volts = 1.44kW
(For use on adequately wired 120V, dedicated circuit having 2-wire service with a separate ground wire. Appliance must be grounded for safe operation.)
- Amps @ 120V = 9 Amps
- Always consult local and/or national electric & plumbing codes.
- Water Pressure – Hot water line to dishwasher must provide between 15 and 120 pounds per square inch (psi).
- Make sure location has right drain, water and electrical outlets to make connections.
- Keep back free of drain, water & electrical supply.
- Electrical and water supplies should enter cabinet opening on floor, or through back or side walls, as shown in shaded areas.

- Connections preferably located toward left side of dishwasher. Do not cross drain, water or electrical lines in front of motor, blower or frame.
- Minimum clearance of 1/4" required from unit to underside of countertop.
- Leveling legs supplied to adjust height. (*Note: Height only adjustable to 34-3/4" max. when installed in 35" max. standard cabinetry cutout to allow for 1/4" min. clearance.*)
- When installing in corner, allow 2" clearance between opened door and wall, to allow door to open.
- When installing at end of cabinet line, sides must be fully enclosed.
- Do not install unit under a cooktop, damage may occur.

Note: For planning purposes only. Refer to Product Installation Guide on the web at electroluxappliances.ca or supplied with product for detailed instructions.



NSF Protocol for Sanitization and Cleaning Performance of Household Spray-Type Dishwashers (1997)