

SC(B)519 | ALITO Collection



30"/36" Mesh Filter



30"/36" Baffle Filter

Wall Mount

Strong and sturdy with attractive lines and an imposing frame, the SC(B)519 is fitted with a time-delay OFF feature up to nine minutes, a 550 CFM fan, two bright front mounted LED lights and a digital three-speed push button control panel.

Green Features



3 Speed Push Button Control Panel



Long-Lasting LED Lights



Time-Delay OFF Feature



Grease Cup



Model	Colour	Ducting	Filters	Size	CFM
SC51924	Stainless Steel	6"	Mesh	24"	550
SC51930	Stainless Steel	6"	Mesh	30"	550
SC51936	Stainless Steel	6"	Mesh	36"	550
SCB51924	Stainless Steel	6"	Baffle	24"	550
SCB51930	Stainless Steel	6"	Baffle	30"	550
SCB51936	Stainless Steel	6"	Baffle	36"	550

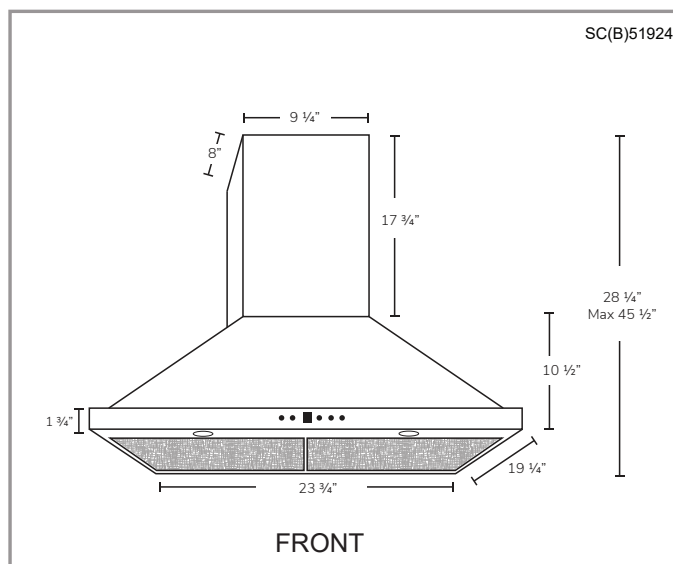
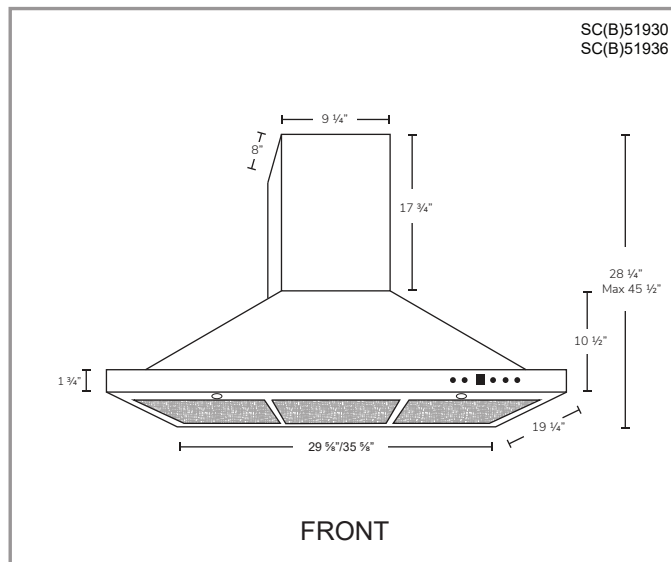
Cyclone Range Hoods Inc.

1361 Huntingwood Drive, Unit 16. Toronto, ON. M1S 3J1. Canada.

Toll Free: 1-888-293-5662 Tel: (416) 293-0933 Fax: (416) 293-4793 Website: www.CycloneRangeHoods.com

Features

- Wall mount range hood
- 6" round duct adapter
- Non-stick aluminum fan blades
- 3 speed push button control
- 2 LED lights (2 x 1.4W, 4000K)
- Quick release aluminum mesh filters
- Standard chimney fits up to 9 ft. ceiling
- Up to 9 minutes time-delay OFF feature
- Plug-in connection



Options

- **Filters:**
 - SC519 - Quick Release Aluminum Mesh Filters
 - SCB519 - Quick Release Stainless Steel Baffle Filters
 - **Chimney Flues:**
 - A1.CH10 - short (7'-8' ceilings)
 - A1.CH18 - standard (8'-9' ceilings)
 - A1.CH30 - extended (9'-11' ceilings)
 - **Widths:** 24", 30", 36"
 - **Charcoal Filter:** CF01
- *Charcoal filter only available for 30" and 36"

Specifications

- Air Flow Volume: 550 CFM
- Electrical Connection: 120 V/60 Hz
- Power Consumption: 300 Watts

- Current: 2.5 Amps
- Fan Speed: 1599 RPM
- Fan Type: Centrifugal Blower

- Finishes: Stainless Steel
- Ducting: 6" Round
- Noise Level: Min. 2 Sones
Max. 6 Sones

