

LIEBHERR

Design Guide
Fully Integrated 30" and 36"
Release 04 / 2025

Liebherr's engineering excellence in Germany provides the largest selection of freezers, refrigerators and wine refrigerators worldwide.

Liebherr is one of the World's leading Manufacturers of Premium Refrigeration. For more than 70 years, Liebherr has specialized in developing and manufacturing first class refrigerators and freezers as well as wine cabinets. We focus on performance and efficiency as well as keeping food fresher longer. Produced in Austria and Germany, Liebherr has a full line of premium models tailored specifically for the North American marketplace to fit any design vision you have for your kitchen.

Our freestanding stainless models are sleek centerpieces that make a definite statement. Our built-in models are perfect for designs that call for units that slide into cabinet surrounds. And our fully-integrated models become one with your kitchen design, hidden seamlessly behind your custom cabinetry.

High quality materials, perfectly detailed finishes, precise electronic control systems, elite cooling components, variable speed compressors and the latest production processes ensure energy efficiency and performance for years to come. Our superior products offer premium quality, cutting edge design and innovative features that fit with your busy lifestyle.

Liebherr's Commitment to the Environment

The components of Liebherr products can be recycled when the necessary resources are available. A concern for the environment and a desire to protect resources has led to increased levels of recycling year after year. When Liebherr manufactures products, it is essential that the recyclable recovery rate of the materials we use constantly increases.

Recycling is a common goal among all manufacturers, municipalities and recycling companies to protect our environment. Protecting the environment and producing products which have a low impact on the environment, is one of Liebherr's core values. When the time comes, please attempt to dispose of your old appliances in an environmentally safe and friendly manner.

LIEBHERR WARRANTY PLAN

FULL TWO YEAR WARRANTY

For two years from the date of original purchase, your Liebherr warranty covers all parts and labor to repair or replace any part of the product which proves to be defective in materials or workmanship.

FULL FIVE YEAR WARRANTY

For five years from the date of original purchase, your Liebherr warranty covers all parts and labor to repair or replace any components that prove to be defective in materials or workmanship in the sealed system. The "Sealed System" means only the compressor, condenser, evaporator, drier and all connecting tubing.

LIMITED 6TH THROUGH 12TH YEAR WARRANTY

From the 6th through 12th year from the date of original purchase, your Liebherr warranty covers all parts that prove to be defective in materials or workmanship in the Sealed System (parts only).

For Service in the U.S.

Liebherr Service Center

Toll Free: **1-866-LIEBHER**
1-866-543-2437

Email: Service-appliances.us@liebherr.com

PlusOne Solutions, Inc.

3501 Quadrangle Blvd, Suite 120
Orlando, FL 32817

For Installation Questions

Install.Americas@liebherr.com

For Service in Canada

Liebherr Service Center

Toll Free: **1-888-LIEBHER**
1-888-543-2437

www.euro-parts.ca

EURO-PARTS CANADA

39822 Belgrave Road
Belgrave, Ontario, N0G 1E0
Phone: (519) 357-3320
Fax: (519) 357-1326

Contents

DesignGuide

Safety Warnings	5
Electrical Requirements & Safety	6
IceMaker (if equipped)	6
Area Requirements	7
Safety Regulations	7
Specifications 30" Models	8
HC 1570(G) (right hinged) HC 1571(G) (left hinged).....	8
HC 1580(G) (right hinged) HC 1581(G) (left hinged).....	8
HCB 1590(G) (right hinged) HCB 1591(G) (left hinged).....	9
Specifications 36" Models	10
HC 2090(G) (right hinged) HC 2091(G) (left hinged).....	10
HCB 2090(G) (right hinged) HCB 2091(G) (left hinged).....	10
HC 2092(G) (frenchdoor).....	11
HCB 2092(G) (frenchdoor).....	11
Ventilation Requirements	12
Installation Styles	13
HC 1570(G), HC 1571(G), HC 1580(G), HC 1581(G), HCB 1590(G), HCB 1591(G)	14
Unit Dimensions.....	14
Cabinet Opening Dimensions.....	15
Cabinet Configuration.....	16
Panel Dimensions.....	17
Inset Installation Style.....	17
Panel Dimensions.....	17
Frameless Installation Style.....	17
Door Swing Clearance - Inset installation style.....	18
Door Swing Clearance - Frameless installation style.....	19
HC 2090(G), HC 2091(G), HCB 2090(G), HCB 2091(G)	20
Unit Dimensions.....	20
Cabinet Opening Dimensions.....	21
Cabinet Configuration.....	22
Panel Dimensions.....	23
Inset Installation Style.....	23
Panel Dimensions.....	23
Frameless Installation Style.....	23
HC 2090(G), HC 2091(G), HCB 2090(G), HCB 2091(G)	24
Door Swing Clearance - Inset installation style.....	24
Door Swing Clearance - Frameless installation style.....	25
HC 2092(G), HCB 2092(G)	26
Unit Dimensions.....	26
Cabinet Opening Dimensions.....	27
Cabinet Configuration.....	28
Panel Dimensions.....	29
Inset Installation Style.....	29
Panel Dimensions.....	29
Frameless Installation Style.....	29
Door Swing Clearance - Inset installation style.....	30
Front panel 5/8".....	30
Door Swing Clearance - Inset installation style.....	31
Front panel 3/4".....	31
Door Swing Clearance - Frameless installation style.....	32
Front panel 5/8".....	32
Door Swing Clearance - Frameless installation style.....	33
Front panel 3/4".....	33
Accessories	34

General Remarks


Safety Warnings

PLEASE READ AND FOLLOW THESE INSTRUCTIONS

This design guide contains Warning and Important statements. This information is important for planning a safe and efficient installation. Please refer to the Installation Manual specific to your model for complete installation instructions.

This design guide is intended for planning purposes and is not a replacement for your appliance's Use and Care Manual which contains important information on how to use Liebherr appliances.

Always read and follow all Warning and Important statements!

 **WARNING!**

Warning indicates a potentially hazardous situation which, if not avoided, could result in death or serious injury.

IMPORTANT

This highlights information that is especially relevant to a problem-free installation and operation.

Make sure incoming voltage is the same as the unit rating.

To reduce the risk of fire, electric shock, or personal injury, the installation work and electrical wiring must be done by a qualified electrician in accordance with all applicable codes and standards, including fire rated construction.

To the Installer

It is very important that the guidelines and instructions are followed in this design guide to ensure proper installation and operation of the unit. The Installation Guidelines section contains important information for making sure the installation is correct. Read and understand all the information and installation guidelines in this manual before the unit is installed.

It is also very important to **know** the Safety Information.

General Remarks

Electrical Requirements & Safety

A 15 amp or 20 amp, 110-120 VAC, circuit which is grounded and protected by a circuit breaker or fuse is required.

We recommend using a dedicated circuit for each appliance to prevent circuit overload and the chance of interruption to the appliance.

The appliances are equipped with a three-prong (grounding) polarized plug for protection against possible shock hazards.

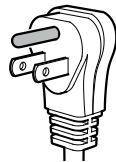
Comply with the National Electrical Code as well as local codes and ordinances when installing the receptacle.

⚠ WARNING!

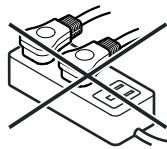
Electrocution hazard.

Electrical grounding required.

- Do not remove the round grounding prong from the plug. →
- Do not use extension cords or ungrounded (two-prong) adapters.
- Do not use a power cord that is frayed or damaged.



- Do not use a power strip. →



Failure to follow these instructions may result in fire, electrical shock or death.

IceMaker (if equipped)

The icemaker is located in the freezer compartment. It must be connected to the water supply. The appliance must be level for the icemaker to function properly.

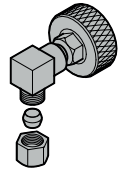
The water supply pressure requirements are different based on whether or not the supplied Liebherr water filter is installed. With the filter installed, the pressure must be in the range of 40-90 psi (2.8-6.2 bar). Without the filter installed the acceptable pressure range is 22-87 psi (1.5-6 bar).

For the water supply, we recommend braided style ice maker hoses with 1/4" connectors.

To connect a 1/4" copper line, use a 1/4" compression nut and a metal compression ring.

To connect a 1/4" PEX line, use a 1/4" compression nut and a plastic compression ring.

The supplied brass fitting must be used to connect to the solenoid as the plastic threads on the solenoid are metric.



If you have hard water, we recommend you install a water softener. Also, a filter must be installed if the water contains solids such as sand.

All equipment and devices used to supply the water to the appliance must comply with the current regulations for your geographical area.

Safety Instructions and Warnings

- Do not attach the water source while the appliance is connected to an electrical outlet.
- A shut-off valve, must be installed between the hose line and the main water supply so that the water supply can be stopped if necessary. **Do not install the shut-off valve behind the refrigeration unit.**
- The connection to the water supply may only be made by a trained and licensed plumber.
- The water quality must comply with the drinking water regulations for the geographical area where the appliance is located.
- The icemaker is designed exclusively to make ice cubes in quantities needed by a household and may only be operated with water appropriate for this purpose.
- All repairs and work on the icemaker may only be done by customer service personnel or other trained personnel.
- The manufacturer cannot accept liability for damage caused by equipment or water lines between the solenoid valve and the water supply.

General Remarks

Area Requirements

Verify the following:

- Floors can support refrigerator's weight plus approximately 1200 pounds (544 kg) of food weight. Not all Liebherr products are designed for 1200 pounds (544 kg) of food. Some units are smaller and total weights may vary.
- Finished kitchen floor height is level. Refrigerator must be shimmed to the floor level or levelled to make sure, air vents are not obstructed.
- Remove anything attached to the rear or side walls that can obstruct refrigerator opening.
- Cutout dimensions are accurate.
- Electrical outlet is in correct location.

Do not install this unit next to any other refrigerator or freezer except another Liebherr model. Liebherr models are designed to allow side by side installation. They are equipped with a heating system to eliminate condensation when units are installed side by side. Installing this unit next to any other refrigerator or freezer can cause condensation or cause damage to the Liebherr unit.

IMPORTANT

To protect the refrigerator from possible damage, allow the appliance to stand 1 hour in place before turning the electricity on. This allows the refrigerant and system lubrication to reach equilibrium.

Blocking For Safety

The anti-tip bracket must be installed to prevent the unit from tipping after it is installed. Refer to chapter "Blocking For Safety" in the installation instructions.

Safety Regulations

The appliances are designed to cool, freeze, store food as well and make ice (if equipped).

The appliances are manufactured to operate within specific ambient temperature limits according to its climate rating.

The climate rating indicates the ambient temperature at which the appliance may be operated in order to deliver optimal refrigeration performance.

The climate rating for each model is visible in chapter "Specifications".

Climate Rating

Ambient Temperature

SN	50°F to 90°F (10°C to 32°C)
N	61°F to 90°F (16°C to 32°C)
ST	61°F to 100°F (16°C to 38°C)
T	61°F to 109°F (16°C to 43°C)
SN-ST	50°F to 100°F (10°C to 38°C)
SN-T	50°F to 109°F (10°C to 43°C)

IMPORTANT

Do not operate the appliance outside the specified ambient temperature range.

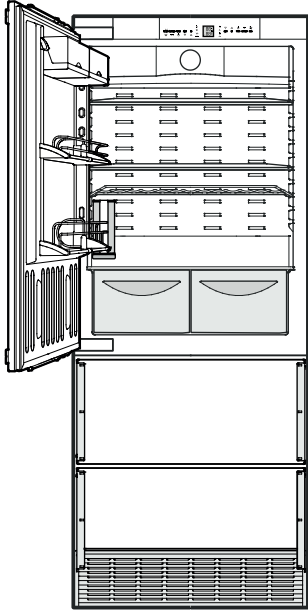
- Refrigerant circuits are tested for leaks.
- The appliances complies with current safety regulations

CAN/CSA C22.2 No.60335-1-11
UL 60335-1 Fifth Edition
CAN/CSA C22.2 No. 60335-2-24-06
UL 60335-2-24 First Edition

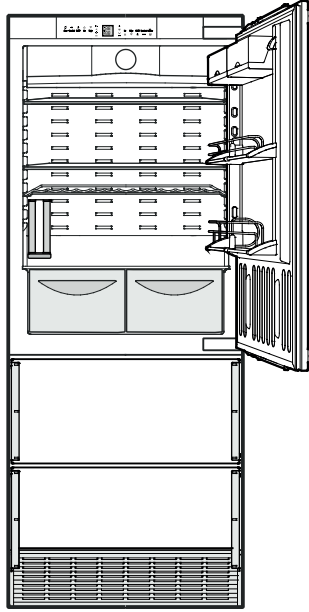
Fully Integrated

Specifications 30" Models

HC 1571(G)
(left hinged)



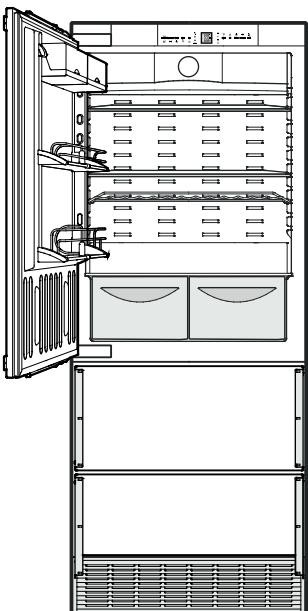
HC 1570(G)
(right hinged)



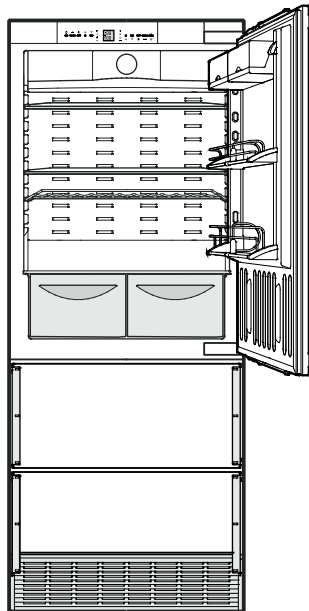
Energy Star:	certified
Energy consumption p. a.:	530 kWh
Energy Supply:	115V / 60Hz / 2.5A
Total capacity:	14.1 cu ft (400 L)
Refrigerator:	9.8 cu ft (278 L)
Freezer:	4.3 cu ft (122 L)
Ice cube output:	2.6 lbs/24h
Ice cube stock:	6 lbs
IceMaker water tank capacity:	73.2 cu in (1.2 L)
Climate Rating:	SN-T

- Automatic refrigerator defrosting
- Automatic freezer compartment defrosting
- Automatic IceMaker can be switched off
- Maximum door opening angle is 115°
- LED ceiling and freezer lighting

HC 1581(G)
(left hinged)



HC 1580(G)
(right hinged)

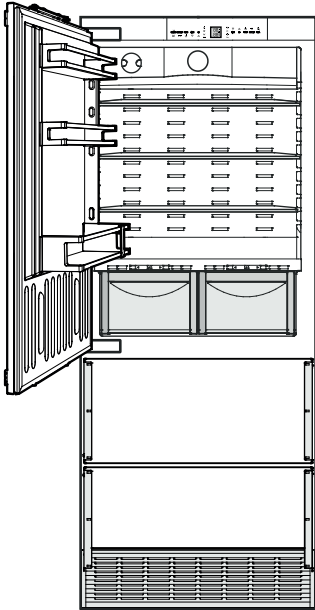


Energy Star:	certified
Energy consumption p. a.:	530 kWh
Energy Supply:	115V / 60Hz / 2.5A
Total capacity:	14.1 cu ft (400 L)
Refrigerator:	9.8 cu ft (278 L)
Freezer:	4.3 cu ft (122 L)
Ice cube output:	2.6 lbs/24h
Ice cube stock:	6 lbs
Climate Rating:	SN-T

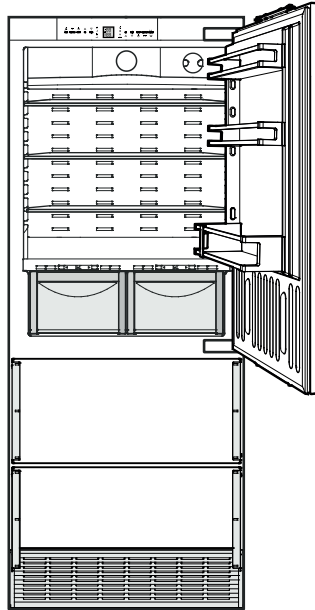
- Automatic refrigerator defrosting
- Automatic freezer compartment defrosting
- Automatic IceMaker can be switched off
- Maximum door opening angle is 115°
- LED ceiling and freezer lighting

Fully Integrated

HCB 1591(G)
(left hinged)



HCB 1590(G)
(right hinged)



Energy Star:	certified
Energy consumption p. a.:	530 kWh
Energy Supply:	115V / 60Hz / 2.5A
Total capacity:	14.1 cu ft (400 L)
Refrigerator:	9.8 cu ft (278 L)
Freezer:	4.3 cu ft (122 L)
Ice cube output:	2.6 lbs/24h
Ice cube stock:	6 lbs
Climate Rating:	SN-T

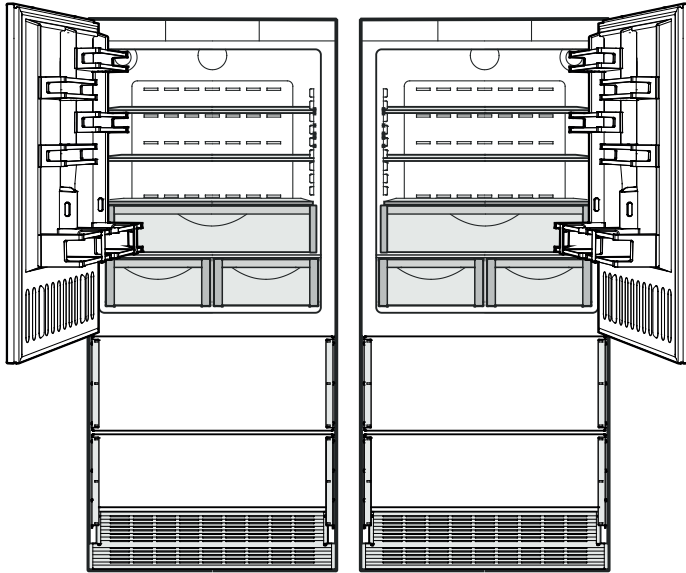
- Automatic refrigerator defrosting
- Automatic freezer compartment defrosting
- Automatic IceMaker can be switched off
- Maximum door opening angle is 115°
- LED light column and LED freezer lighting
- BioFresh drawers with adjustable humidity

Fully Integrated

Specifications 36" Models

HC 2091(G)
(left hinged)

HC 2090(G)
(right hinged)

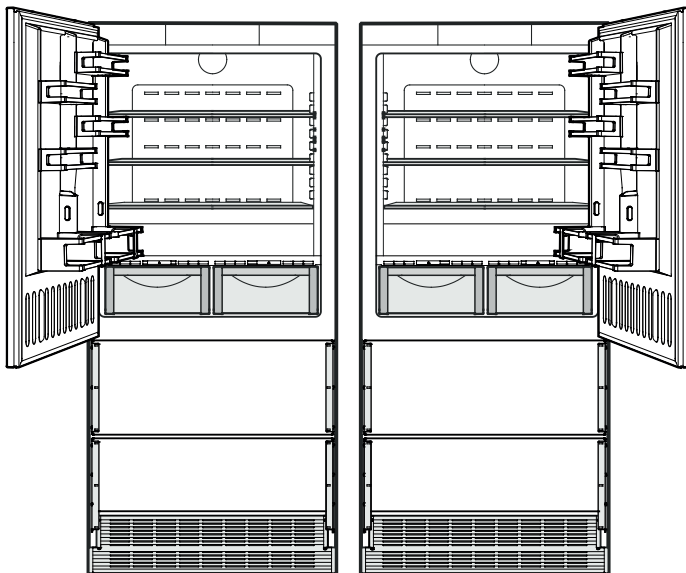


Energy Star:	certified
Energy consumption p. a.:	580 kWh
Energy Supply:	115V / 60Hz / 2.5A
Total capacity:	19.5 cu ft (552 L)
Refrigerator:	13.5 cu ft (382 L)
Freezer:	6 cu ft (170 L)
Ice cube output:	3.1 lbs/24h
Ice cube stock:	6 lbs
Climate Rating:	SN-T

- Automatic refrigerator defrosting
- Automatic freezer compartment defrosting
- Automatic IceMaker can be switched off
- Maximum door opening angle is 115°
- LED light column and LED freezer lighting

HCB 2091(G)
(left hinged)

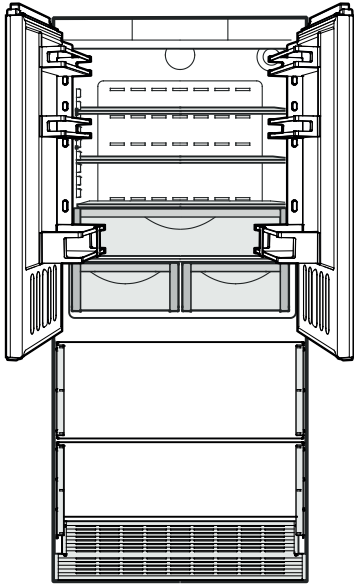
HCB 2090(G)
(right hinged)



Energy Star:	certified
Energy consumption p. a.:	580 kWh
Energy Supply:	115V / 60Hz / 2.5A
Total capacity:	18.9 cu ft (535 L)
Refrigerator:	12.9 cu ft (365 L)
Freezer:	6 cu ft (170 L)
Ice cube output:	3.1 lbs/24h
Ice cube stock:	6 lbs
Climate Rating:	SN-T

- Automatic refrigerator defrosting
- Automatic freezer compartment defrosting
- Automatic IceMaker can be switched off
- Maximum door opening angle is 115°
- LED light column and LED freezer lighting
- BioFresh drawers with adjustable humidity

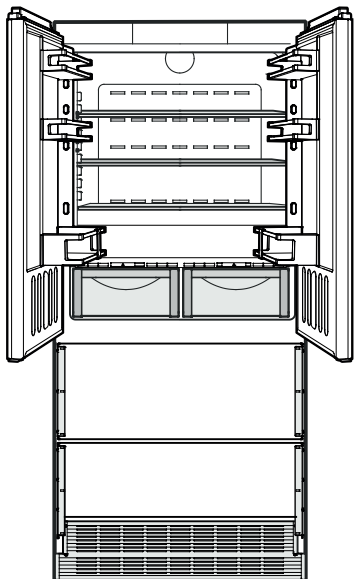
HC 2092(G) (frenchdoor)



Energy Star:	certified
Energy consumption p. a.:	580 kWh
Energy Supply:	115V / 60Hz / 2.5A
Total capacity:	19.5 cu ft (552 L)
Refrigerator:	13.5 cu ft (382 L)
Freezer:	6 cu ft (170 L)
Ice cube capacity:	3.1 lbs/24h
Ice cube stock:	6 lbs
Climate Rating:	SN-T

- Automatic refrigerator defrosting
- Automatic freezer compartment defrosting
- Automatic IceMaker can be switched off
- Maximum door opening angle is 105°
- LED light column and LED freezer lighting

HCB 2092(G) (frenchdoor)



Energy Star:	certified
Energy consumption p. a.:	580 kWh
Energy Supply:	115V / 60Hz / 2.5A
Total capacity:	18.9 cu ft (535 L)
Refrigerator:	12.9 cu ft (365 L)
Freezer:	6 cu ft (170 L)
Ice cube output:	3.1 lbs/24h
Ice cube stock:	6 lbs
Climate Rating:	SN-T

- Automatic refrigerator defrosting
- Automatic freezer compartment defrosting
- Automatic IceMaker can be switched off
- Maximum door opening angle is 105°
- LED light column and LED freezer lighting
- BioFresh drawers with adjustable humidity

Fully Integrated

Ventilation Requirements

HC and HCB appliances do not require ventilation considerations in the cabinetry. The required airflow is directed through the toe kick base.



It is important to use the provided cover grille for the ventilation opening. This opening must not be covered.

R600a Refrigerant

⚠ WARNING!

The refrigerant R600a contained within the appliances is environmentally friendly, but flammable. Leaking refrigerant can ignite.

To prevent possible ignition, designed ventilation is required.

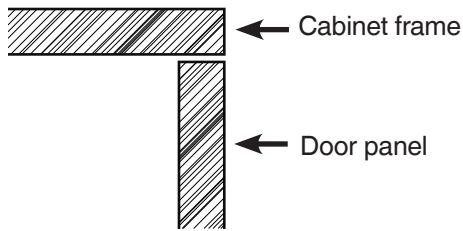
Fully Integrated

Installation Styles

Inset Installation Style

Appliance and panels sit fully within the opening and are flush with what could be its own box, between two pantry cabinets or decorative columns, etc. This is the most common installation scenario.

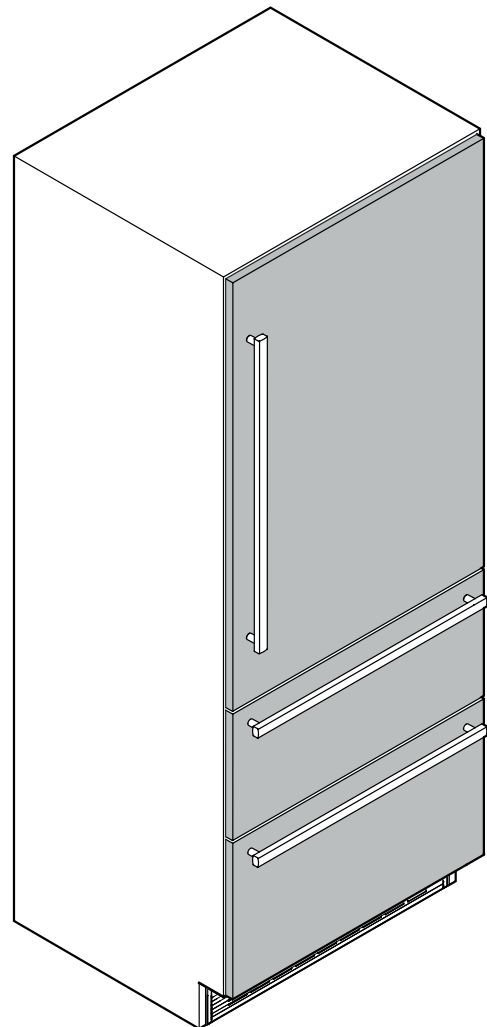
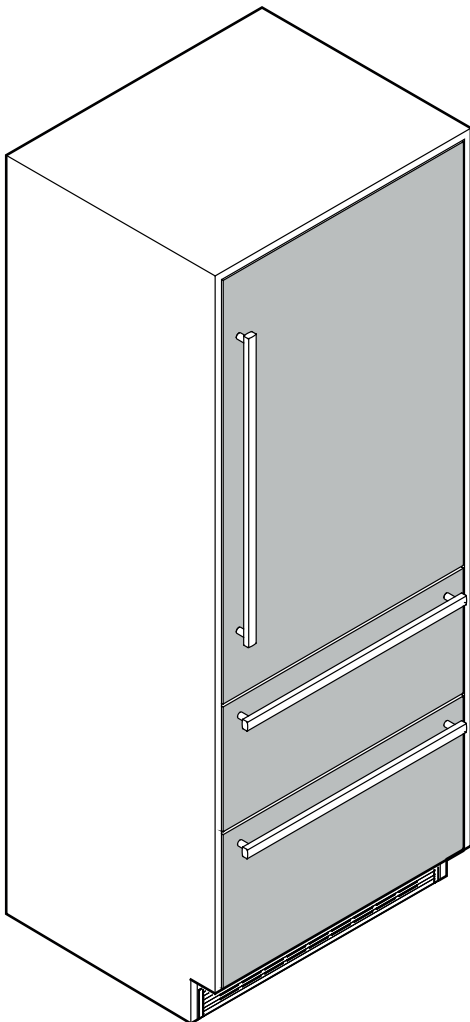
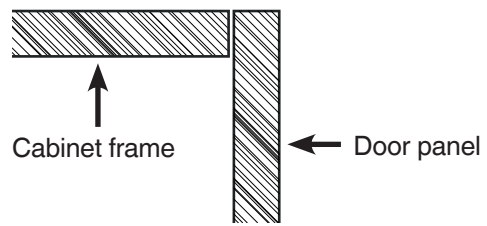
Side view of cabinet (sectional view)



Frameless Installation Style

With this installation style, these wider appliance panels partially overlay the shared side gables of adjacent cabinetry so as to mimic the look of a frameless style cabinet.

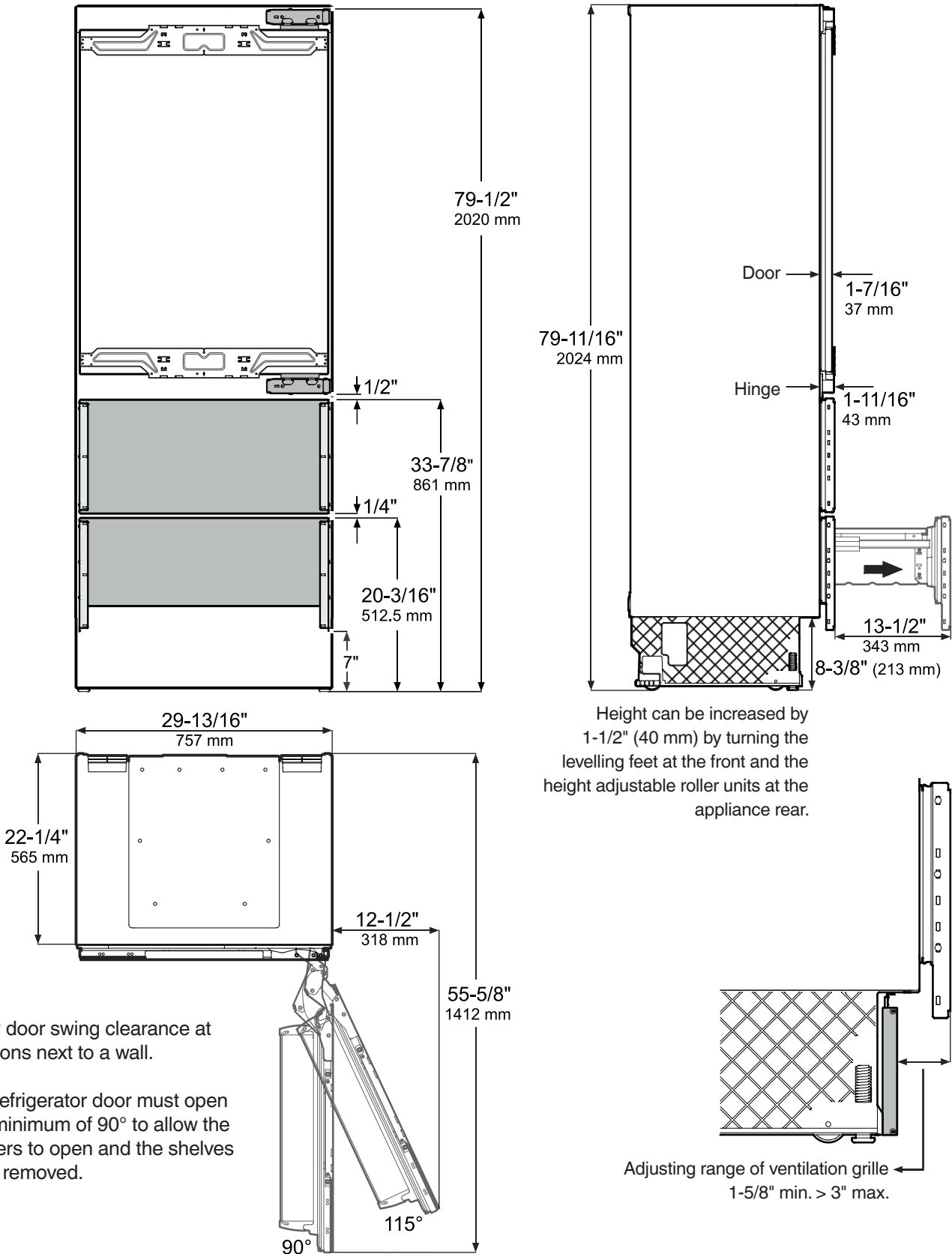
Side view of cabinet (sectional view)



Fully Integrated

HC 1570(G), HC 1571(G), HC 1580(G), HC 1581(G), HCB 1590(G), HCB 1591(G)

Unit Dimensions



Allow door swing clearance at locations next to a wall.

The refrigerator door must open to a minimum of 90° to allow the crispers to open and the shelves to be removed.

Fully Integrated

HC 1570(G), HC 1571(G), HC 1580(G), HC 1581(G), HCB 1590(G), HCB 1591(G)

Cabinet Opening Dimensions

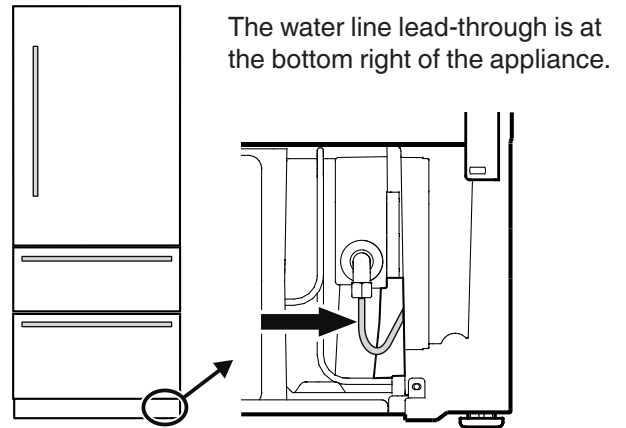
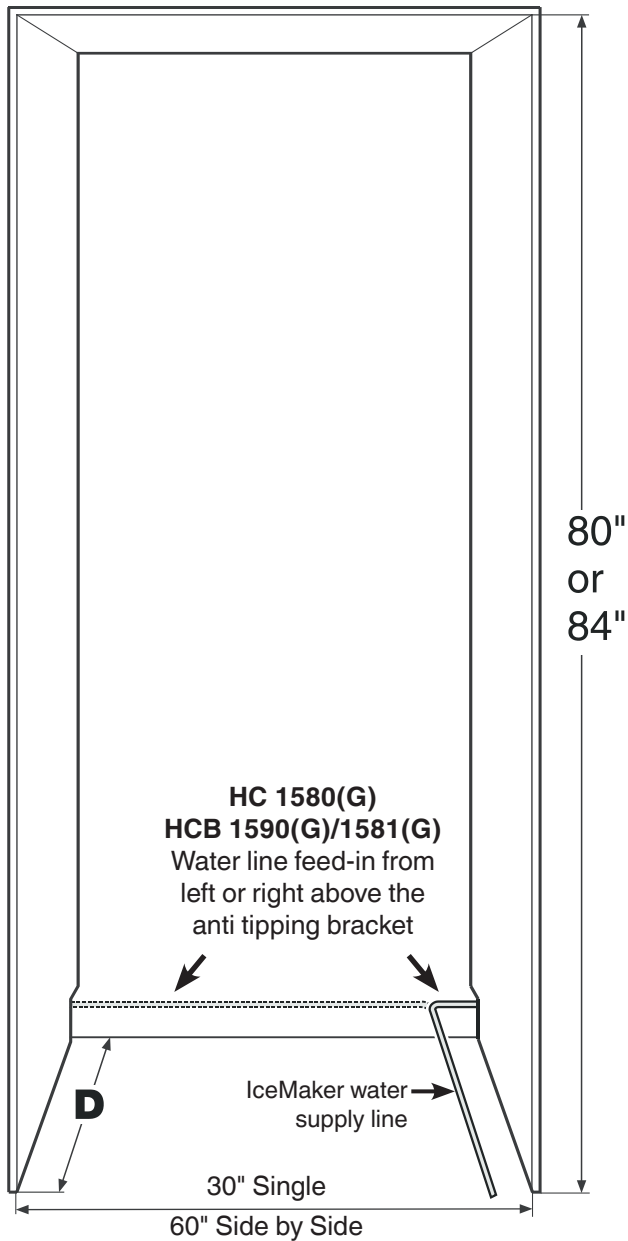
Inset cabinet Depth D	Frameless cabinet Depth D
25" + panel thickness	25"

IMPORTANT

Factory available stainless steel panels are designed for an inset installation only and require a cabinet / gable depth of 25 - 3/4".

Concerning the refrigerator compartment there is the option to choose between stainless steel panels for a 80" or a 84" installation situation.

When using your own custom overlay panels, only the 80" opening minimum would apply. Opening height can be taller than the 80" minimum by any amount but be sure to adjust panel height accordingly.

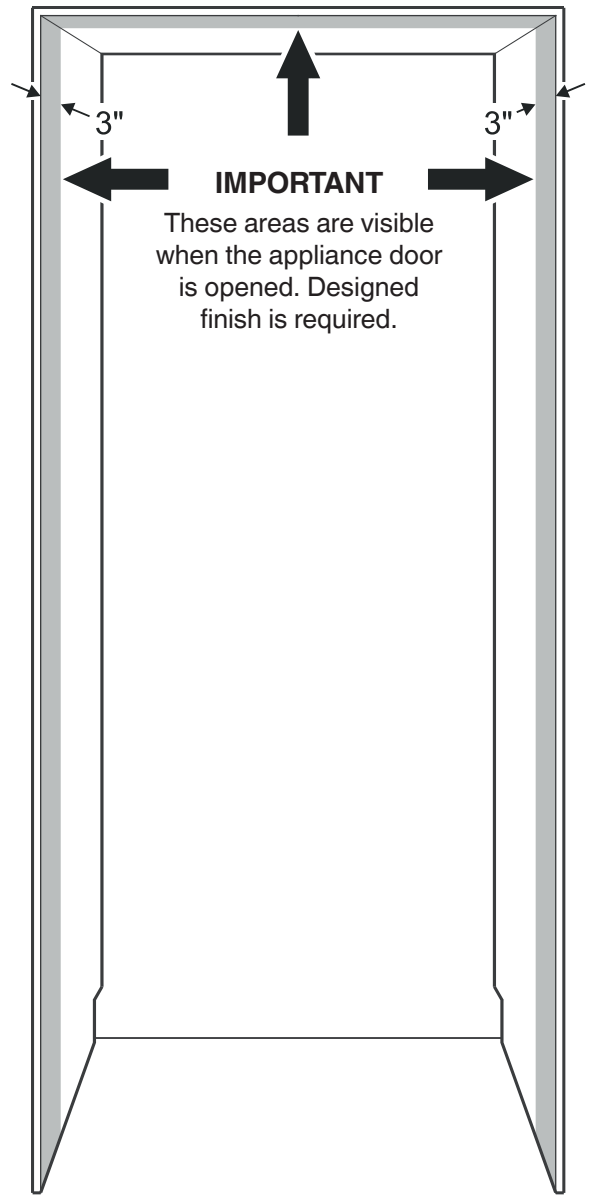
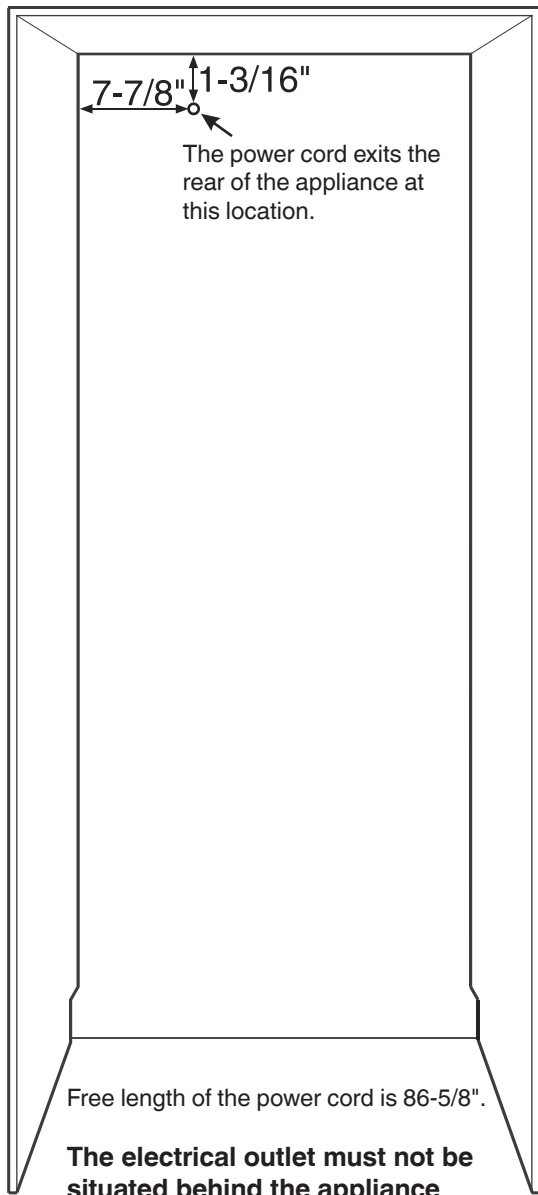


Water connection requirements for the IceMaker see chapter **IceMaker** on page 6.

Fully Integrated

HC 1570(G), HC 1571(G), HC 1580(G), HC 1581(G), HCB 1590(G), HCB 1591(G)

Cabinet Configuration



Fully Integrated

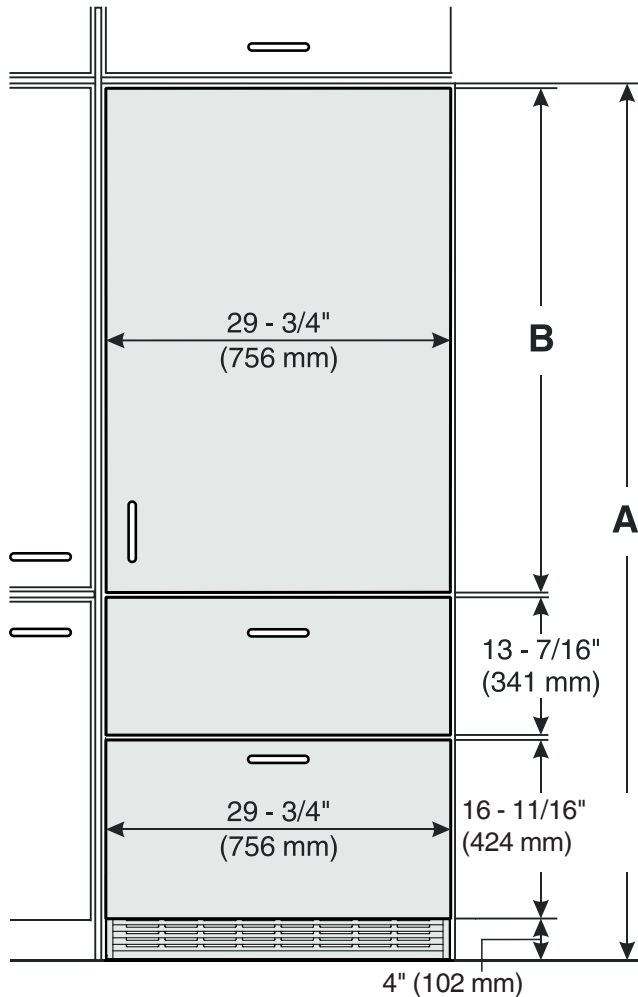
HC 1570(G), HC 1571(G), HC 1580(G), HC 1581(G), HCB 1590(G), HCB 1591(G)

Panel Dimensions

Inset Installation Style

Minimum panel thickness is **5/8"** (16 mm).
 Maximum panel thickness is **3/4"** (20 mm).
 Maximum weight of the refrigerator panel is **60 lbs** (27 kg).
 Maximum weight of each freezer panel is **26.5 lbs** (12 kg).

Cabinet opening A	Refrigerator door panel B
80"	45-1/2" (1156 mm)
84"	49-1/4" (1251 mm)

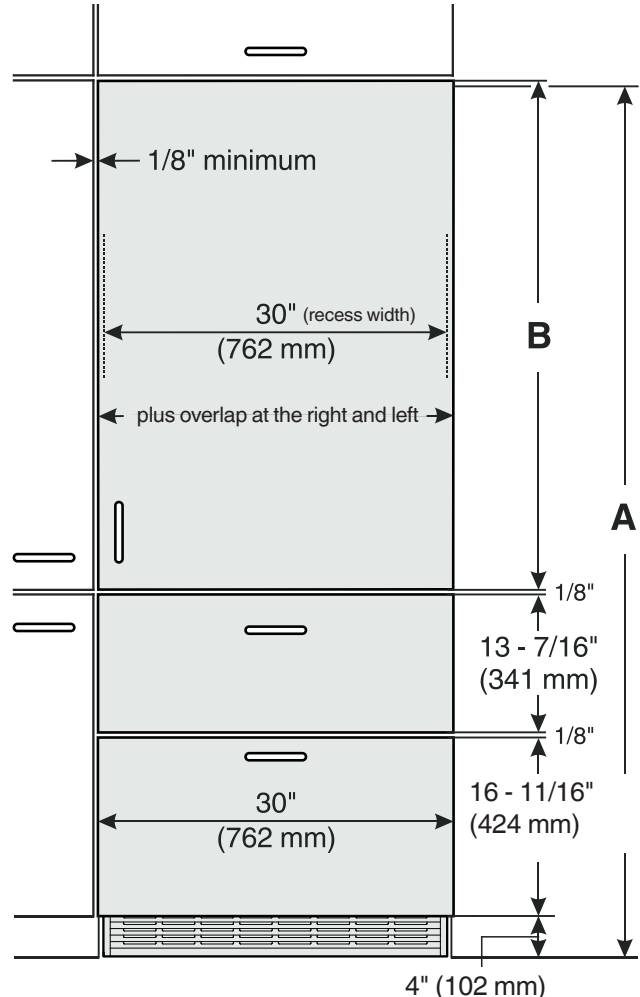


Panel Dimensions

Frameless Installation Style

Minimum panel thickness is **5/8"** (16 mm).
 Maximum panel thickness is **3/4"** (20 mm).
 Maximum weight of the refrigerator panel is **60 lbs** (27 kg).
 Maximum weight of each freezer panel is **26.5 lbs** (12 kg).

Cabinet opening A	Refrigerator door panel B
80"	45-5/8" (1159 mm)
84"	49-3/4" (1264 mm)

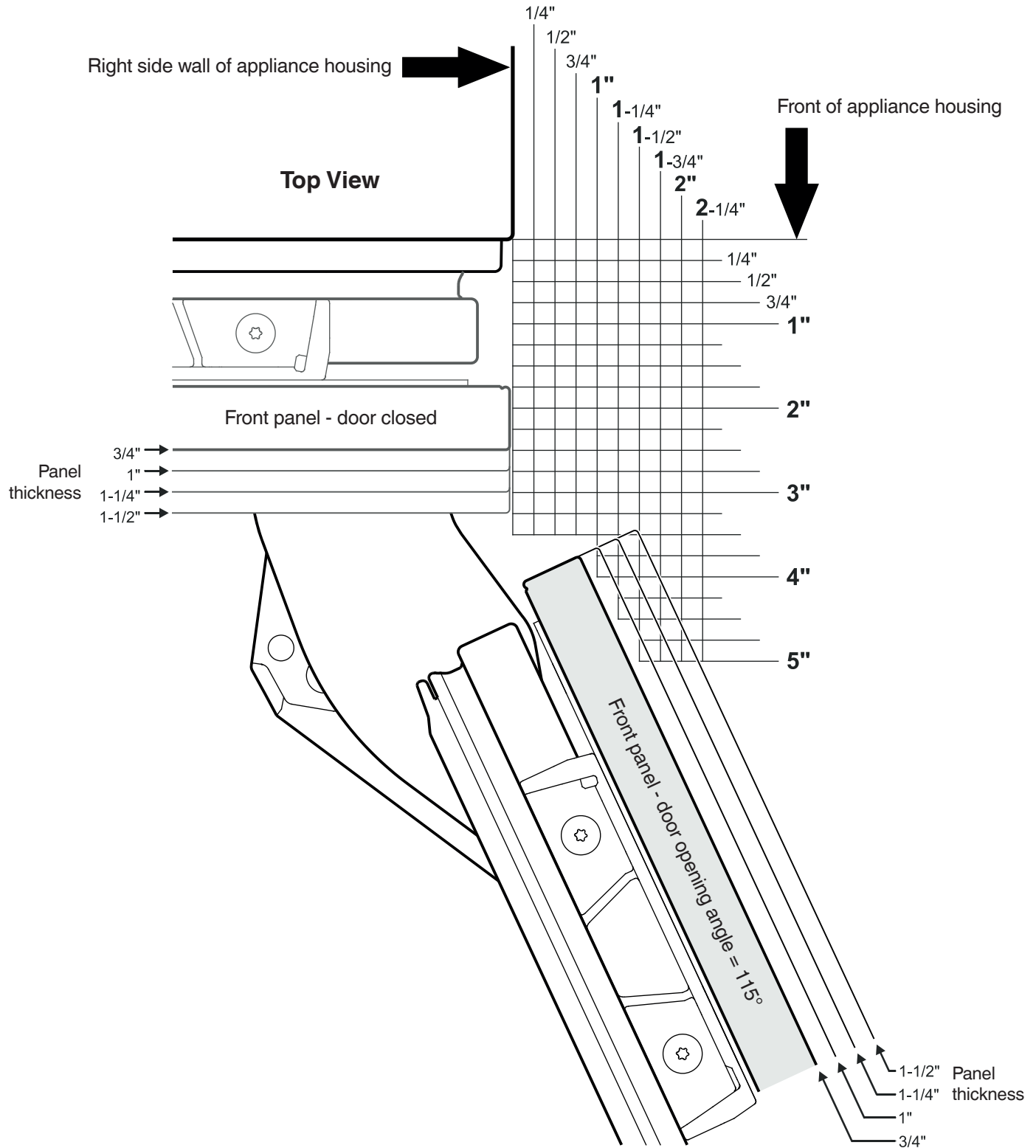


Product also allows installation with Toe kick height of 2" (50mm) to 6 11/16" (170mm).
 To define the panel height other than 4" (102mm) toe kick, consider 20 11/16" (526mm) - toe kick height

Fully Integrated

HC 1570(G), HC 1571(G), HC 1580(G), HC 1581(G), HCB 1590(G), HCB 1591(G)

Door Swing Clearance - Inset installation style



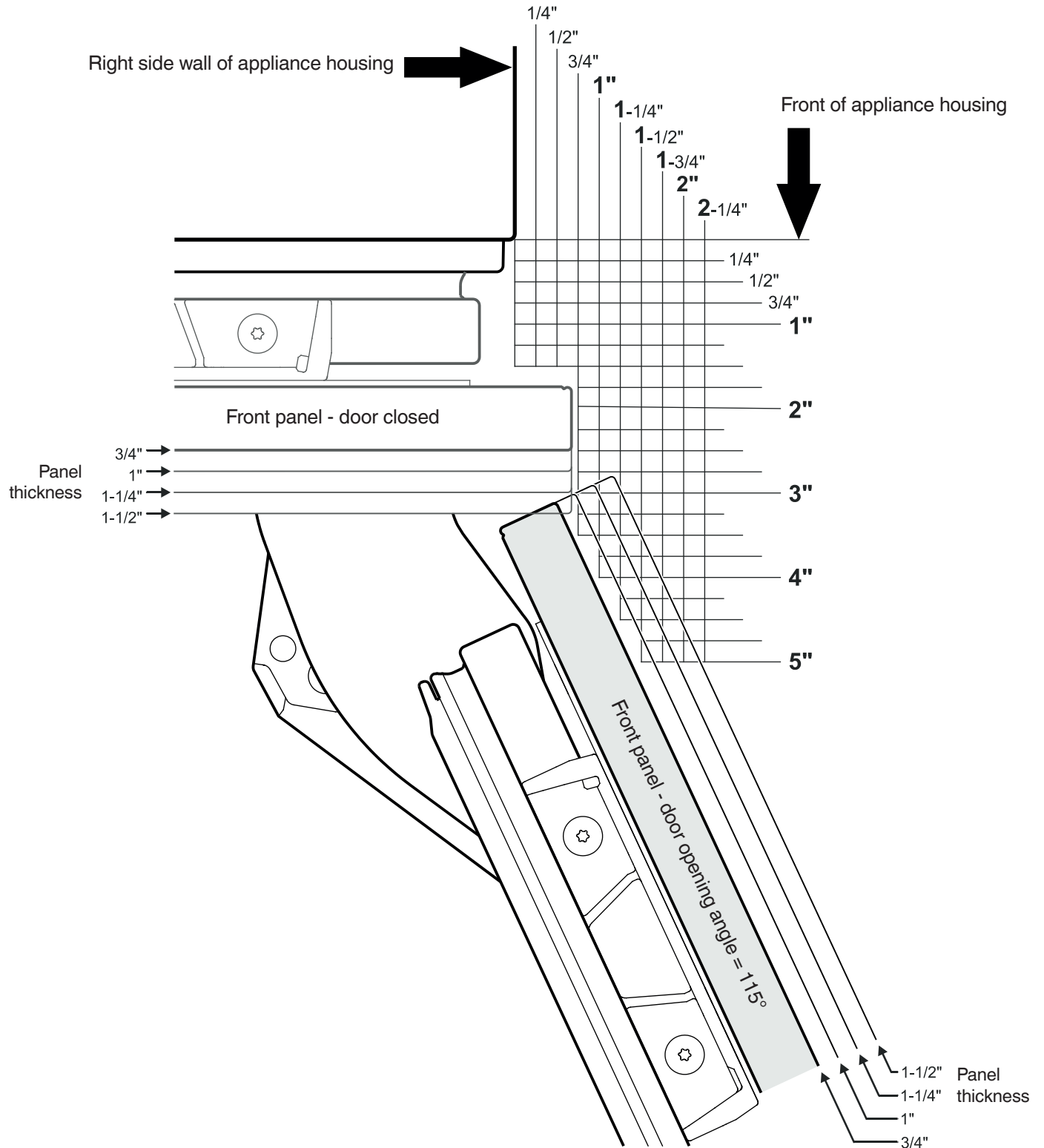
Fully Integrated

HC 1570(G), HC 1571(G), HC 1580(G), HC 1581(G), HCB 1590(G), HCB 1591(G)

Door Swing Clearance - Frameless installation style

IMPORTANT

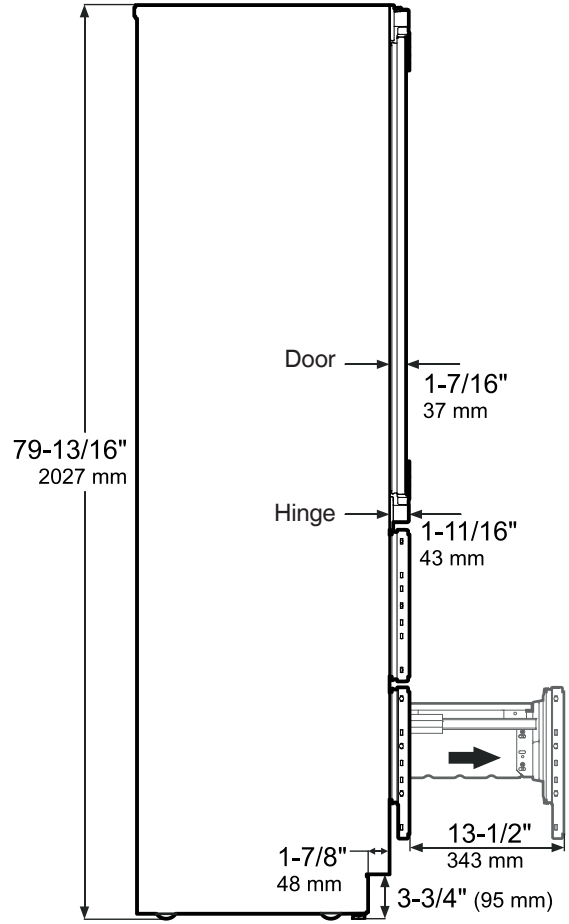
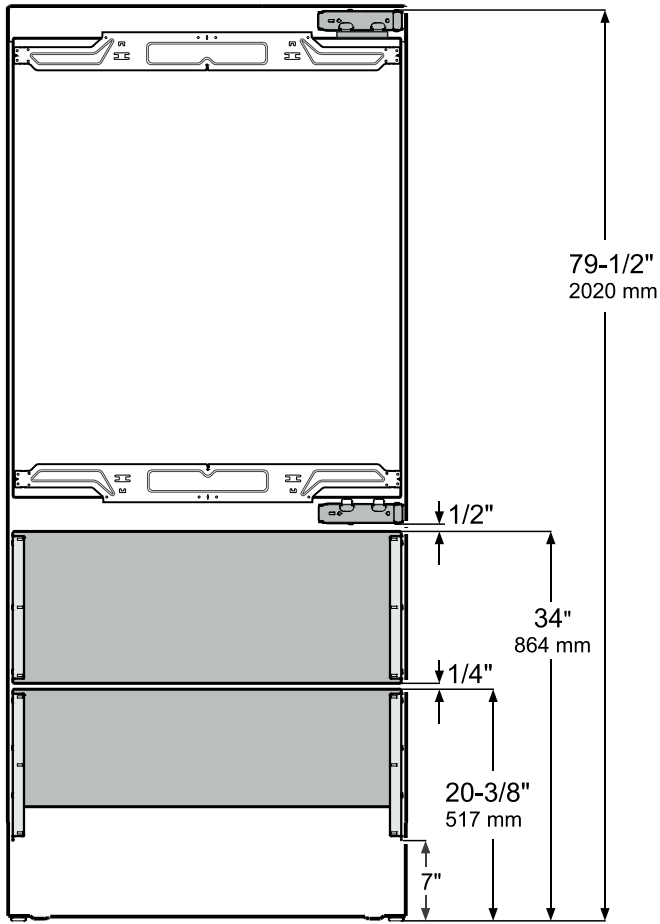
The gap between panels at **frameless** installation style must be at least 1/4" (6 mm).



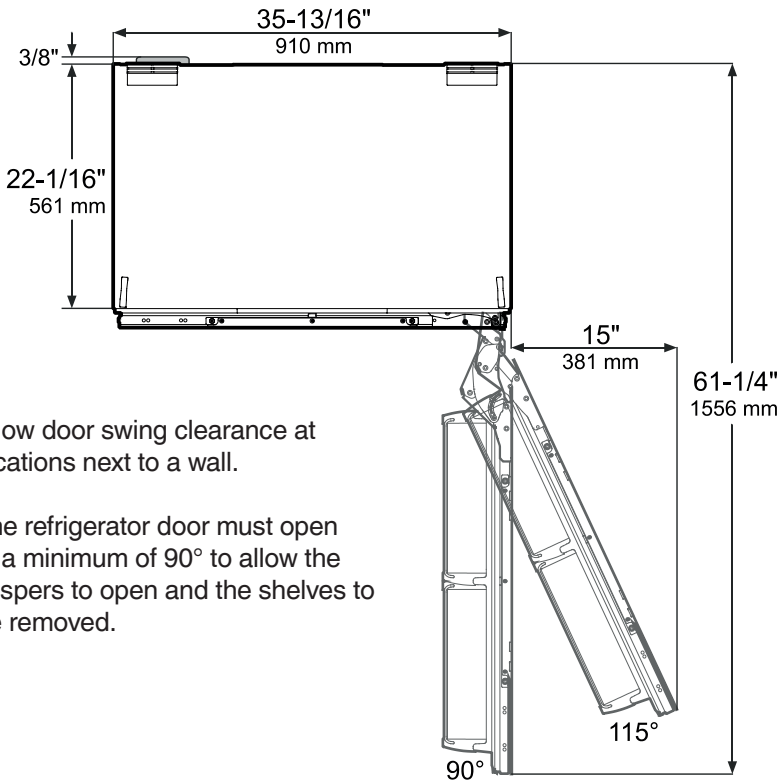
Fully Integrated

HC 2090(G), HC 2091(G), HCB 2090(G), HCB 2091(G)

Unit Dimensions



Height can be increased by 1-1/2" (40 mm) by turning the levelling feet at the front and the height adjustable roller units at the appliance rear.



Allow door swing clearance at locations next to a wall.

The refrigerator door must open to a minimum of 90° to allow the crispers to open and the shelves to be removed.

Fully Integrated

HC 2090(G), HC 2091(G), HCB 2090(G), HCB 2091(G)

Cabinet Opening Dimensions

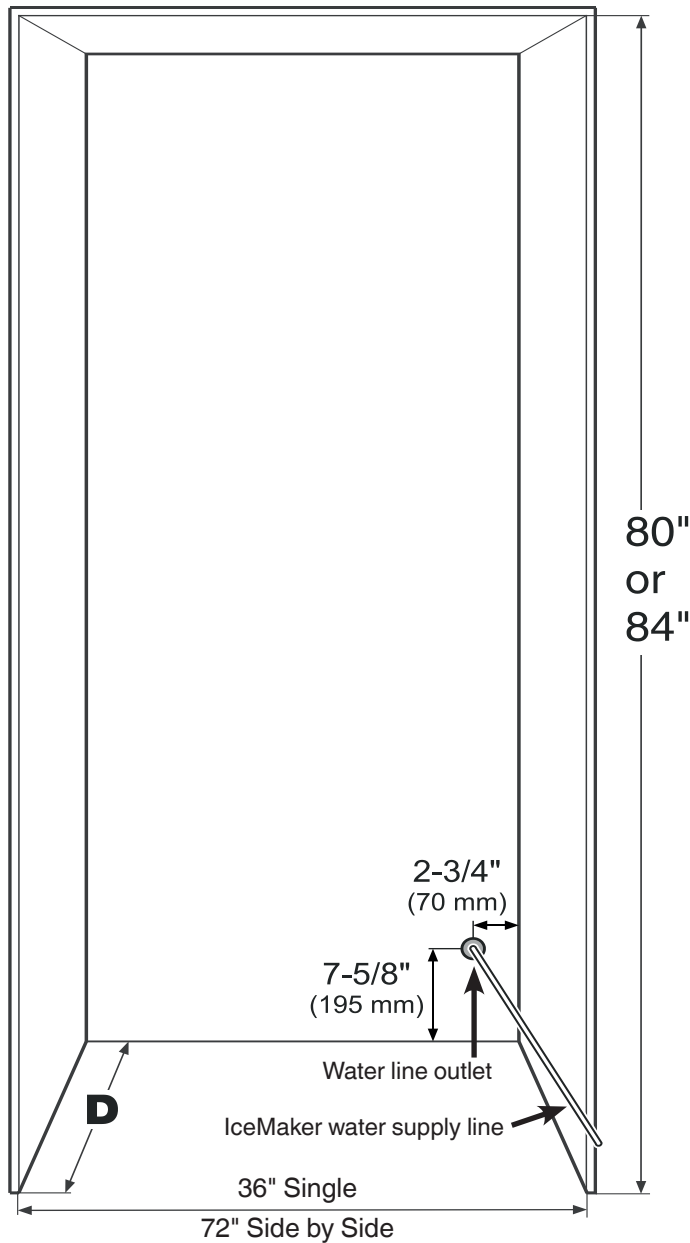
Inset cabinet Depth D	Frameless cabinet Depth D
25" + panel thickness	25"

IMPORTANT

Factory available stainless steel panels are designed for an inset installation only and require a cabinet / gable depth of 25 - 3/4".

Concerning the refrigerator compartment there is the option to choose between stainless steel panels for a 80" or a 84" installation situation.

When using your own custom overlay panels, only the 80" opening minimum would apply. Opening height can be taller than the 80" minimum by any amount but be sure to adjust panel height accordingly.



IMPORTANT

With 25" cabinets, the water line outlet must be in the location as shown.

With cabinets deeper than 25" there is room to fit the pipe behind the appliance and the wall so there are no requirements for the water line lead out position.

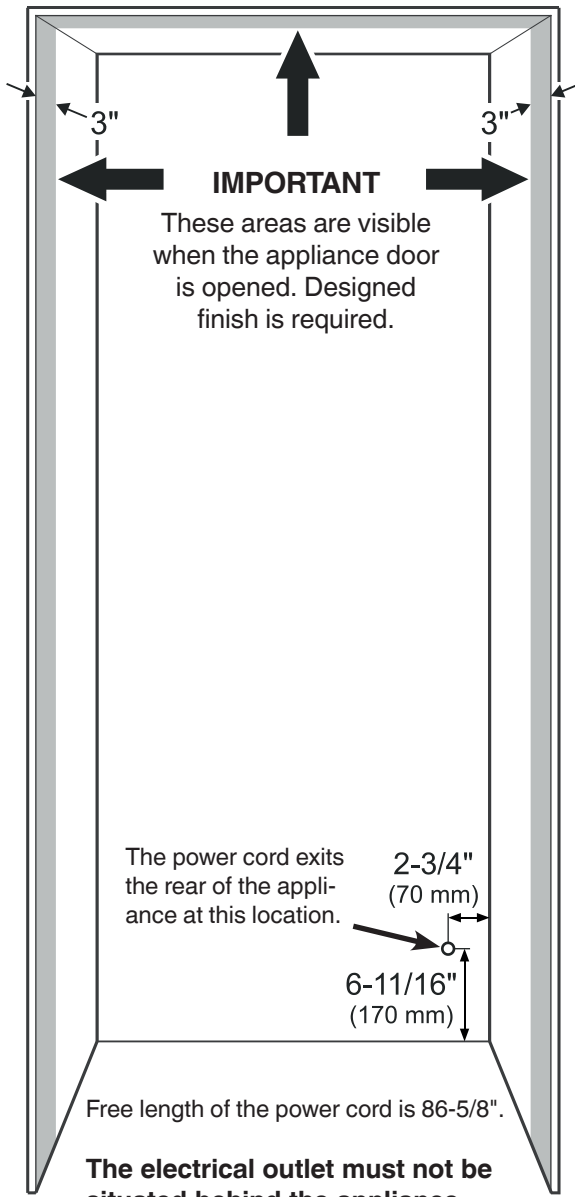
The free length of the water supply line must be at least 31 - 1/2" (800 mm) when the tube comes out of the prescribed opening.

Water connection requirements for the IceMaker see chapter **IceMaker** on page 6.

Fully Integrated

HC 2090(G), HC 2091(G), HCB 2090(G), HCB 2091(G)

Cabinet Configuration



The electrical outlet must not be situated behind the appliance and must be easily accessible.

Fully Integrated

HC 2090(G), HC 2091(G), HCB 2090(G), HCB 2091(G)

Panel Dimensions Inset Installation Style

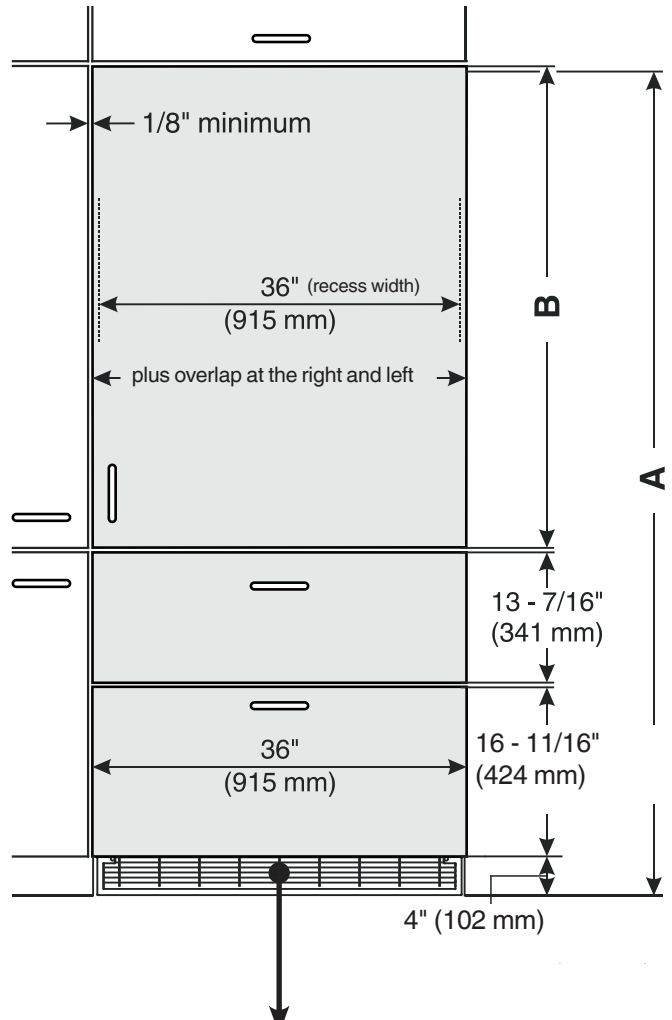
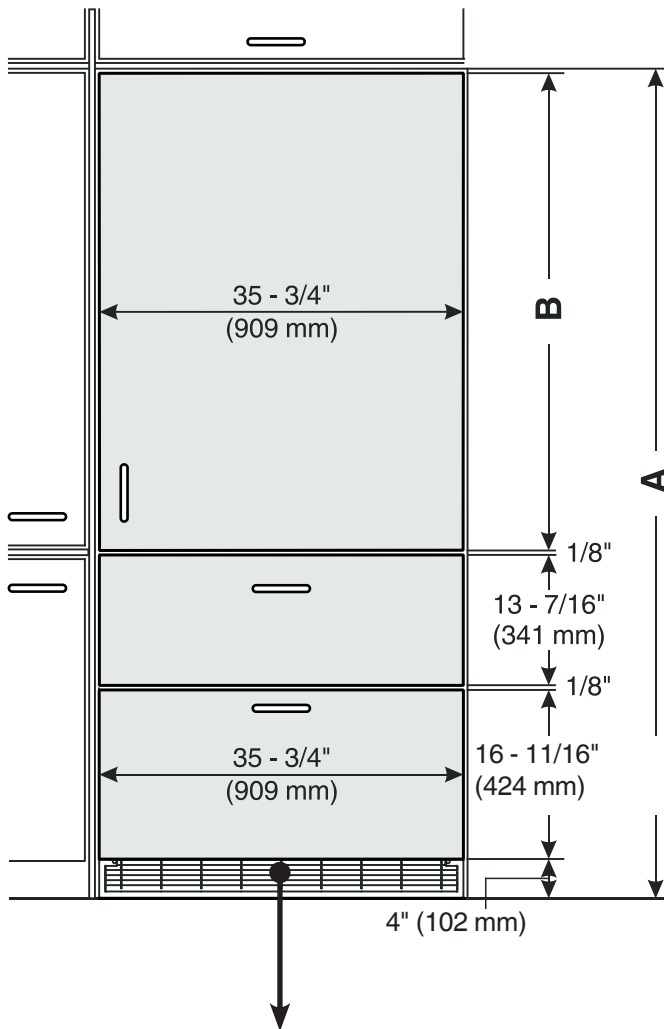
- Minimum panel thickness **5/8"** (16 mm).
- Maximum panel thickness is **3/4"** (20 mm).
- Maximum weight of the refrigerator panel is **60 lbs** (27 kg).
- Maximum weight of each freezer panel is **26.5 lbs** (12 kg).

Panel Dimensions Frameless Installation Style

- Minimum panel thickness **5/8"** (16 mm).
- Maximum panel thickness is **3/4"** (20 mm).
- Maximum weight of the refrigerator panel is **60 lbs** (27 kg).
- Maximum weight of each freezer panel is **26.5 lbs** (12 kg).

Cabinet opening A	Refrigerator door panel B
80"	45-1/2" (1156 mm)
84"	49-1/4" (1251 mm)

Cabinet opening A	Refrigerator door panel B
80"	45-5/8" (1159 mm)
84"	49-3/4" (1264 mm)

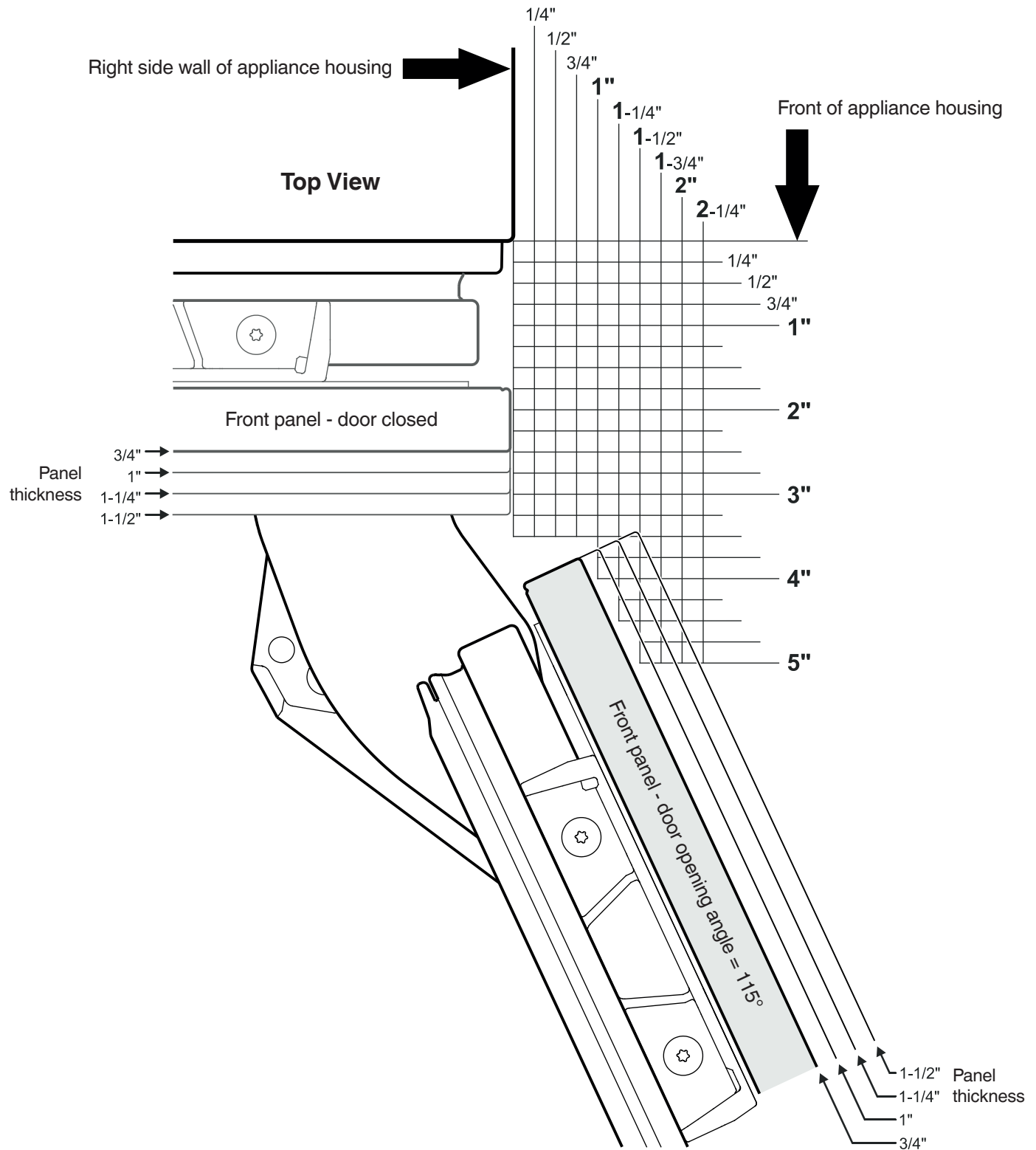


The height of this panel cannot be reduced for higher toe kicks as it will reveal structural elements of the appliance. Instead, install appliance on a platform and adjust the opening height to accommodate.

Fully Integrated

HC 2090(G), HC 2091(G), HCB 2090(G), HCB 2091(G)

Door Swing Clearance - Inset installation style



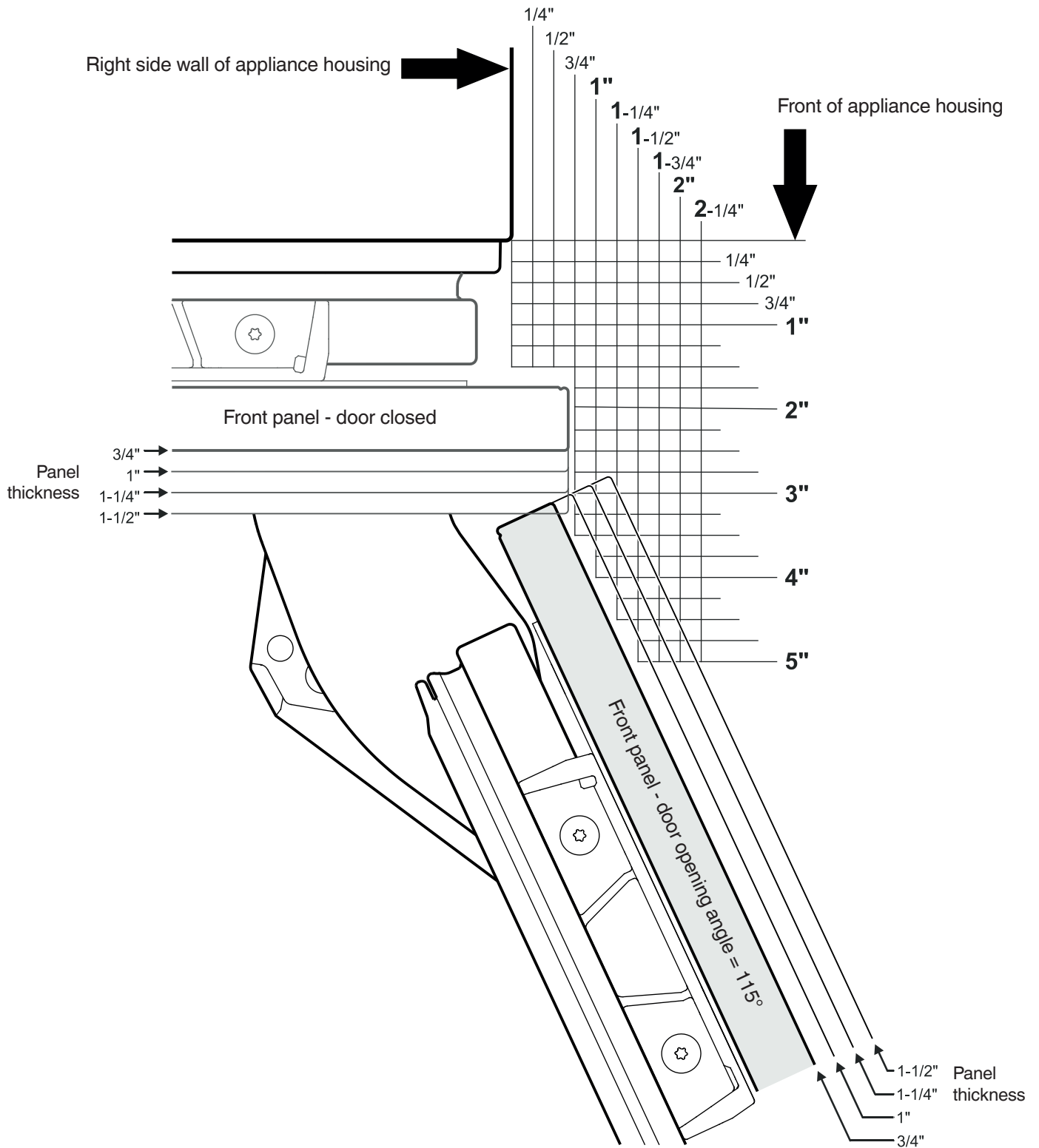
Fully Integrated

HC 2090(G), HC 2091(G), HCB 2090(G), HCB 2091(G)

Door Swing Clearance - Frameless installation style

IMPORTANT

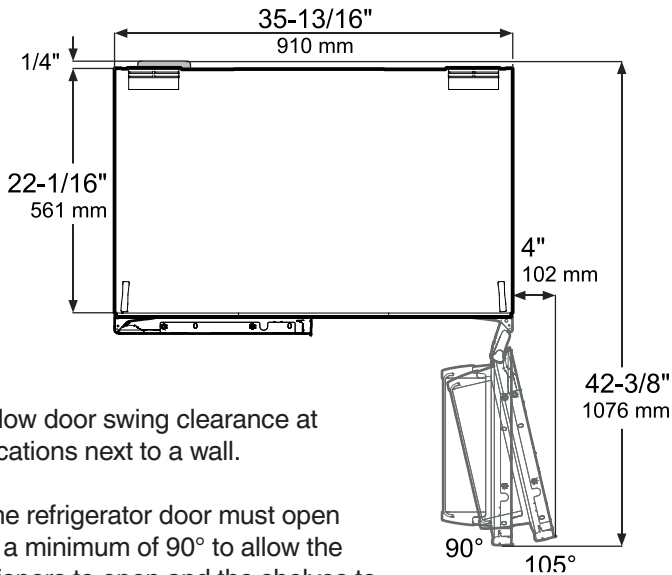
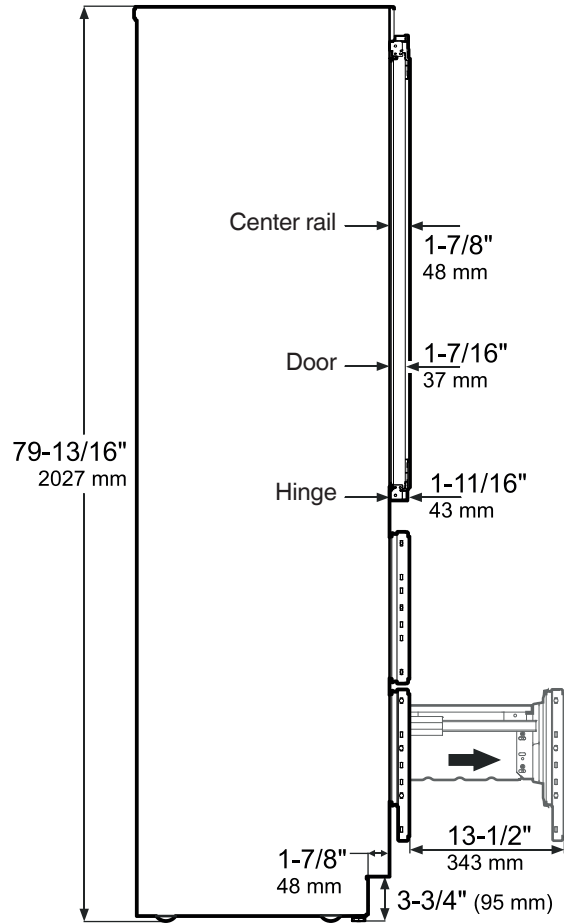
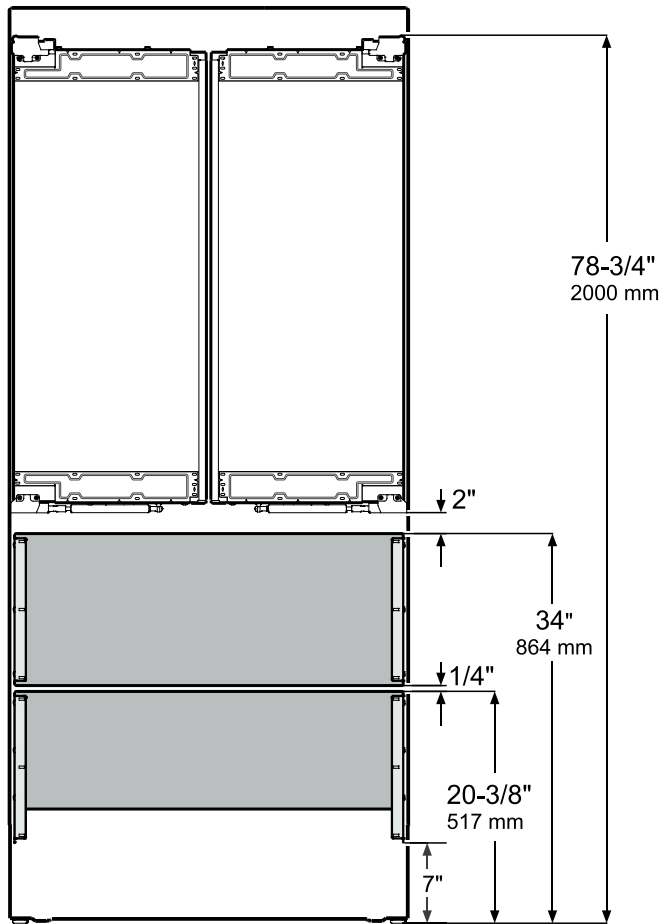
The gap between panels at **frameless** installation style must be at least 1/4" (6 mm).



Fully Integrated

HC 2092(G), HCB 2092(G)

Unit Dimensions



Allow door swing clearance at locations next to a wall.

The refrigerator door must open to a minimum of 90° to allow the crispers to open and the shelves to be removed.

Height can be increased by 1-1/2" (40 mm) by turning the levelling feet at the front and the height adjustable roller units at the appliance rear.

Fully Integrated

HC 2092(G), HCB 2092(G)

Cabinet Opening Dimensions

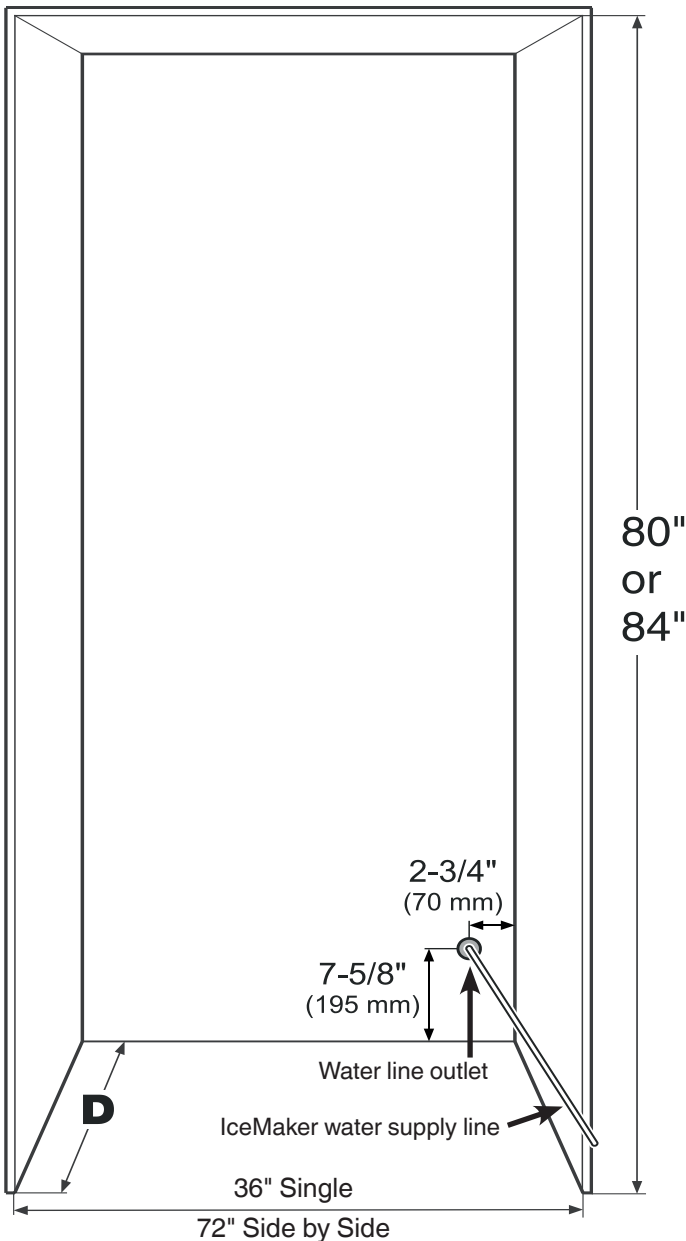
Inset cabinet Depth D	Frameless cabinet Depth D
25" + panel thickness	25"

IMPORTANT

Factory available stainless steel panels are designed for an inset installation only and require a cabinet / gable depth of 25 - 3/4".

Concerning the refrigerator compartment there is the option to choose between stainless steel panels for a 80" or a 84" installation situation.

When using your own custom overlay panels, only the 80" opening minimum would apply. Opening height can be taller than the 80" minimum by any amount but be sure to adjust panel height accordingly.



IMPORTANT

With 25" cabinets, the water line outlet must be in the location as shown.

With cabinets deeper than 25" there is room to fit the pipe behind the appliance and the wall so there are no requirements for the water line lead out position.

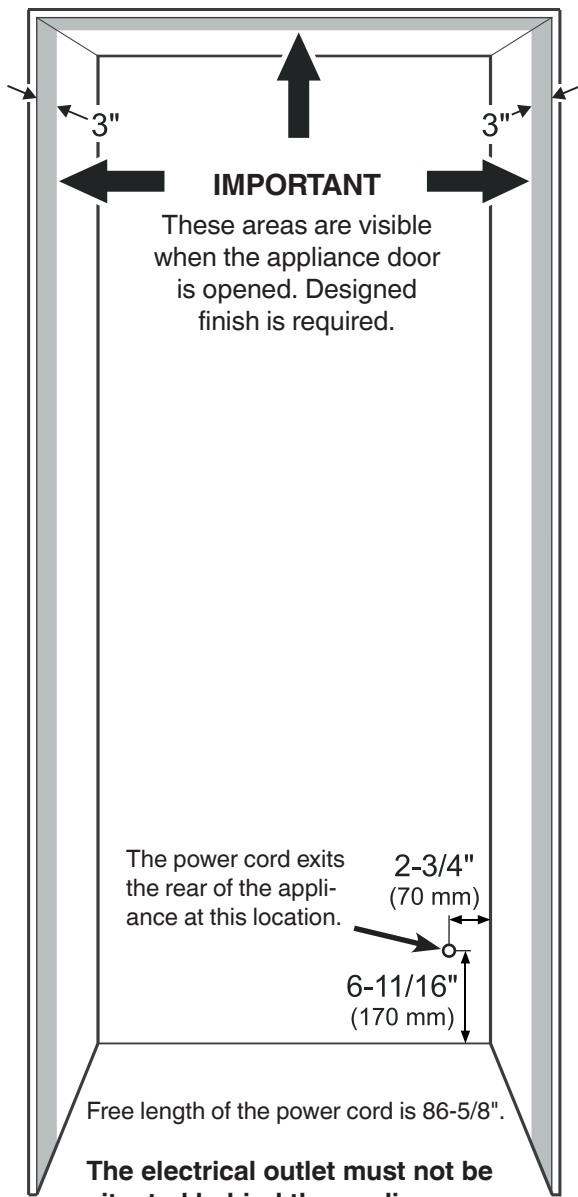
The free length of the water supply line must be at least 31 - 1/2" (800 mm) when the tube comes out of the prescribed opening.

Water connection requirements for the IceMaker see chapter **IceMaker** on page 6.

Fully Integrated

HC 2092(G), HCB 2092(G)

Cabinet Configuration



The electrical outlet must not be situated behind the appliance and must be easily accessible.

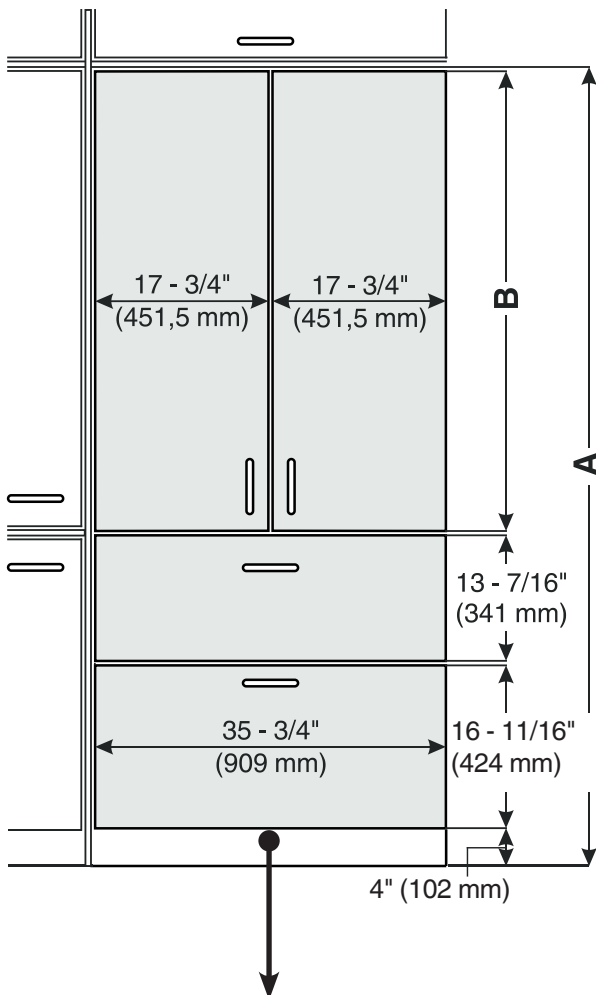
Fully Integrated

HC 2092(G), HCB 2092(G)

Panel Dimensions Inset Installation Style

Minimum panel thickness is **5/8"** (16 mm).
 Maximum panel thickness is **3/4"** (20 mm).
 Maximum weight for each panel is **26.5 lbs** (12 kg).

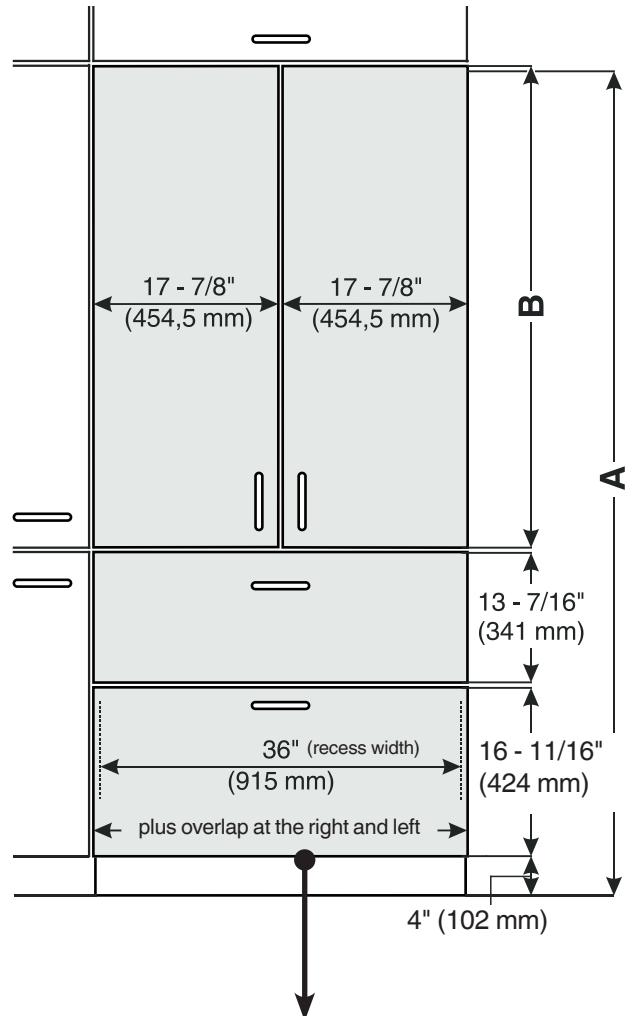
Cabinet Opening A	Refrigerator door panel B
80"	45 - 1/2" (1156 mm)
84"	49 - 1/4" (1251 mm)



Panel Dimensions Frameless Installation Style

Minimum panel thickness is **5/8"** (16 mm).
 Maximum panel thickness is **3/4"** (20 mm).
 Maximum weight for each panel is **26.5 lbs** (12 kg).

Cabinet Opening A	Refrigerator door panel B
80"	45 - 5/8" (1159 mm)
84"	49 - 3/4" (1264 mm)



IMPORTANT

Risk of interference with the adjacent panels!
Do not use wider panels as given in the illustration below!

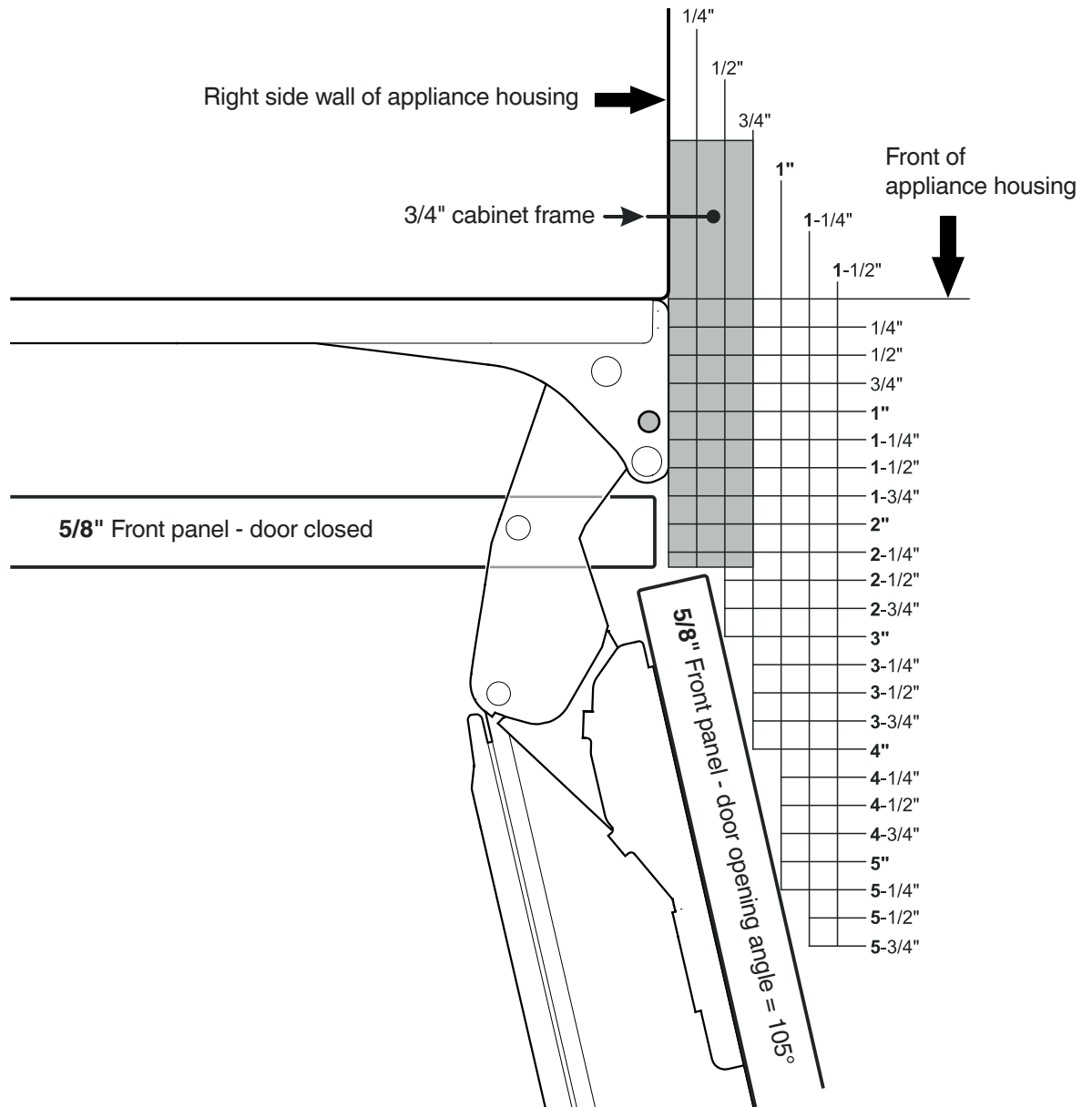
The height of this panel cannot be reduced for higher toe kicks as it will reveal structural elements of the appliance. Instead, install appliance on a platform and adjust the opening height to accommodate.

Fully Integrated

HC 2092(G), HCB 2092(G)

Door Swing Clearance - Inset installation style

Front panel 5/8"

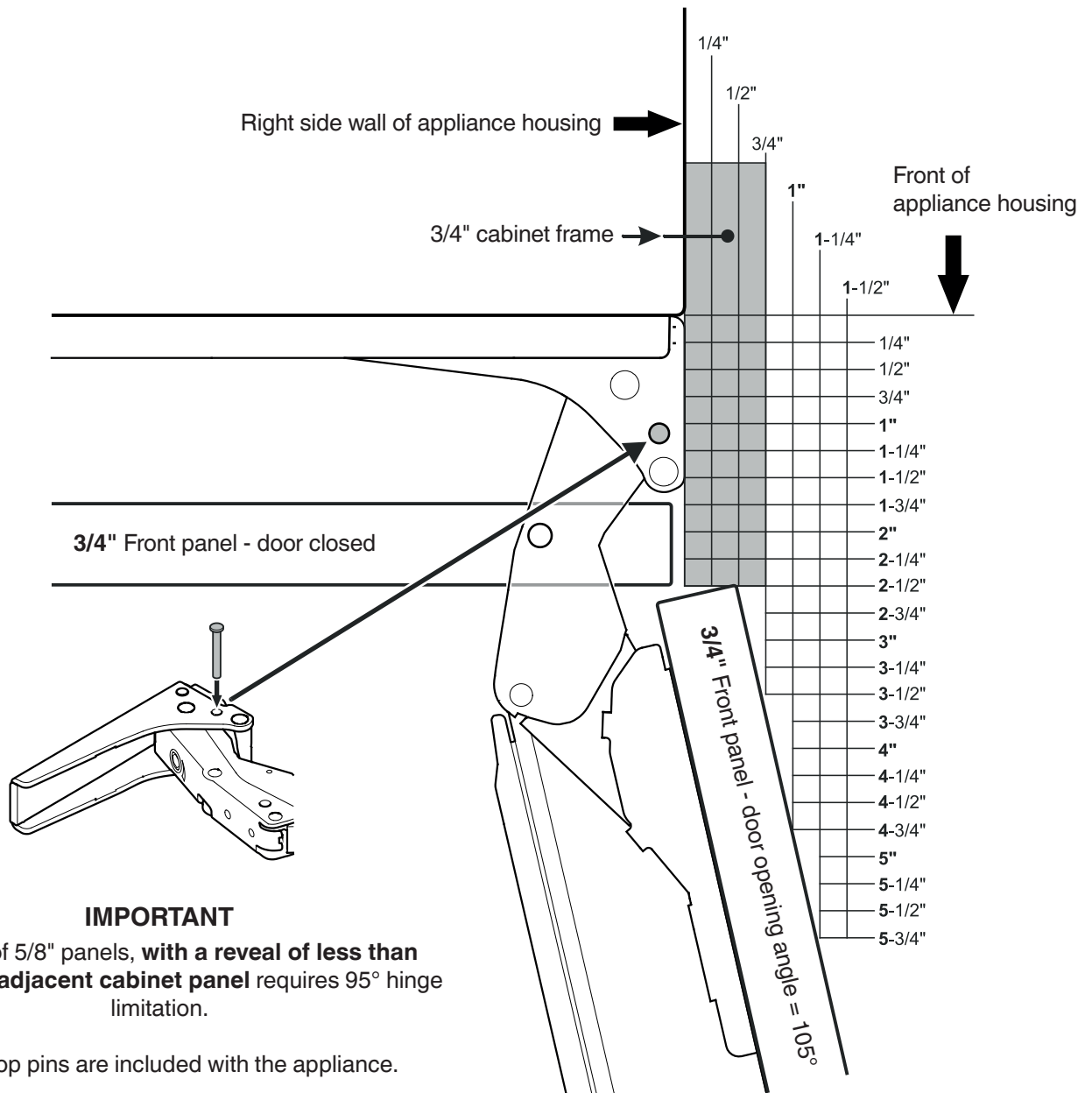


Fully Integrated

HC 2092(G), HCB 2092(G)

Door Swing Clearance - Inset installation style

Front panel 3/4"



IMPORTANT

The use of 5/8" panels, **with a reveal of less than 1/4" to the adjacent cabinet panel** requires 95° hinge limitation.

Door stop pins are included with the appliance.

If the reveal is less than 1/4" **the panel will interfere with the adjacent cabinet panel** at 105° opening angle.

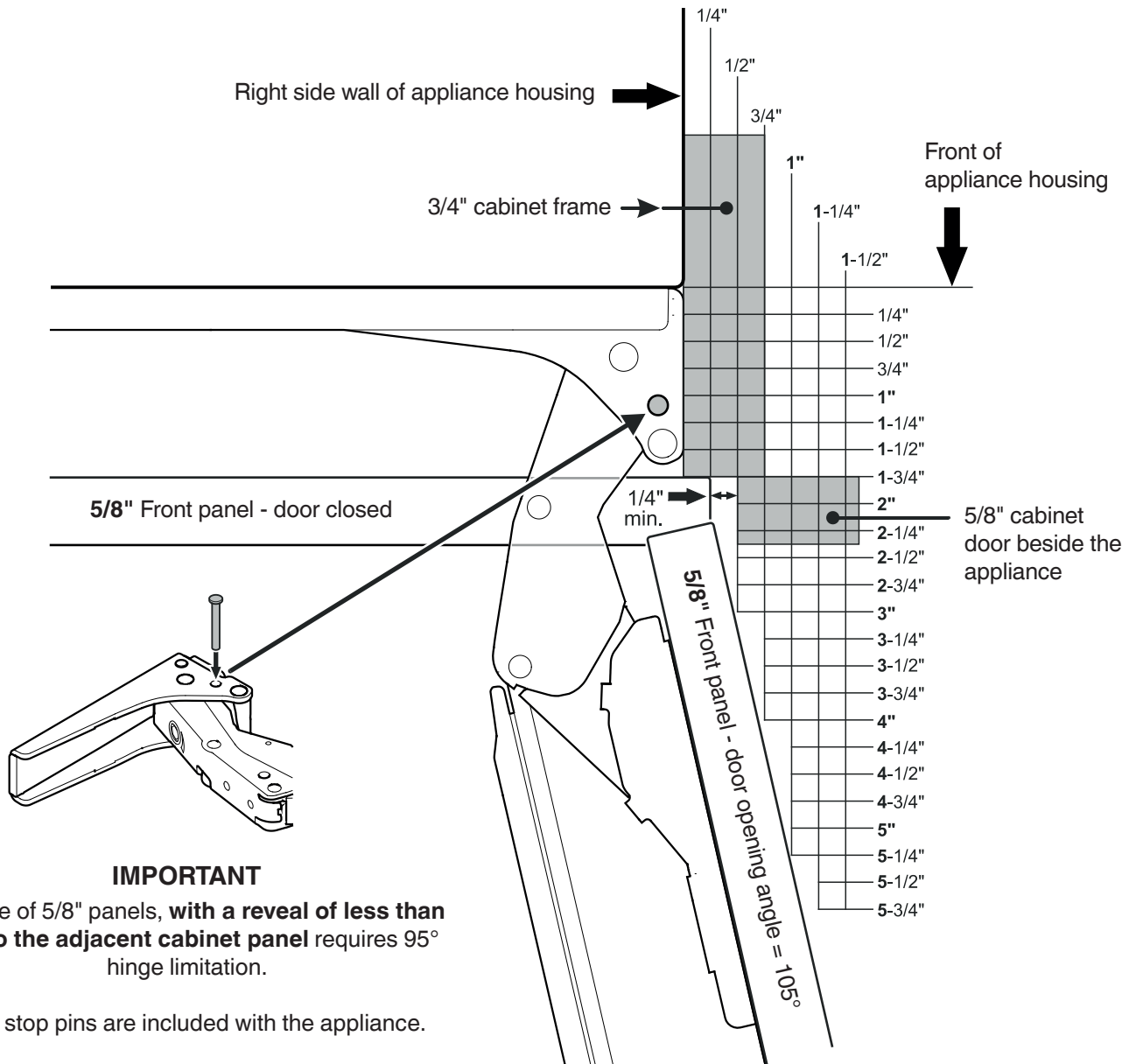
When the hinge is limited to 95°, the minimum reveal is 1/8".

Fully Integrated

HC 2092(G), HCB 2092(G)

Door Swing Clearance - Frameless installation style

Front panel 5/8"



IMPORTANT

The use of 5/8" panels, with a reveal of less than 1/4" to the adjacent cabinet panel requires 95° hinge limitation.

Door stop pins are included with the appliance.

If the reveal is less than 1/4" the panel will interfere with the adjacent cabinet panel at 105° opening angle.

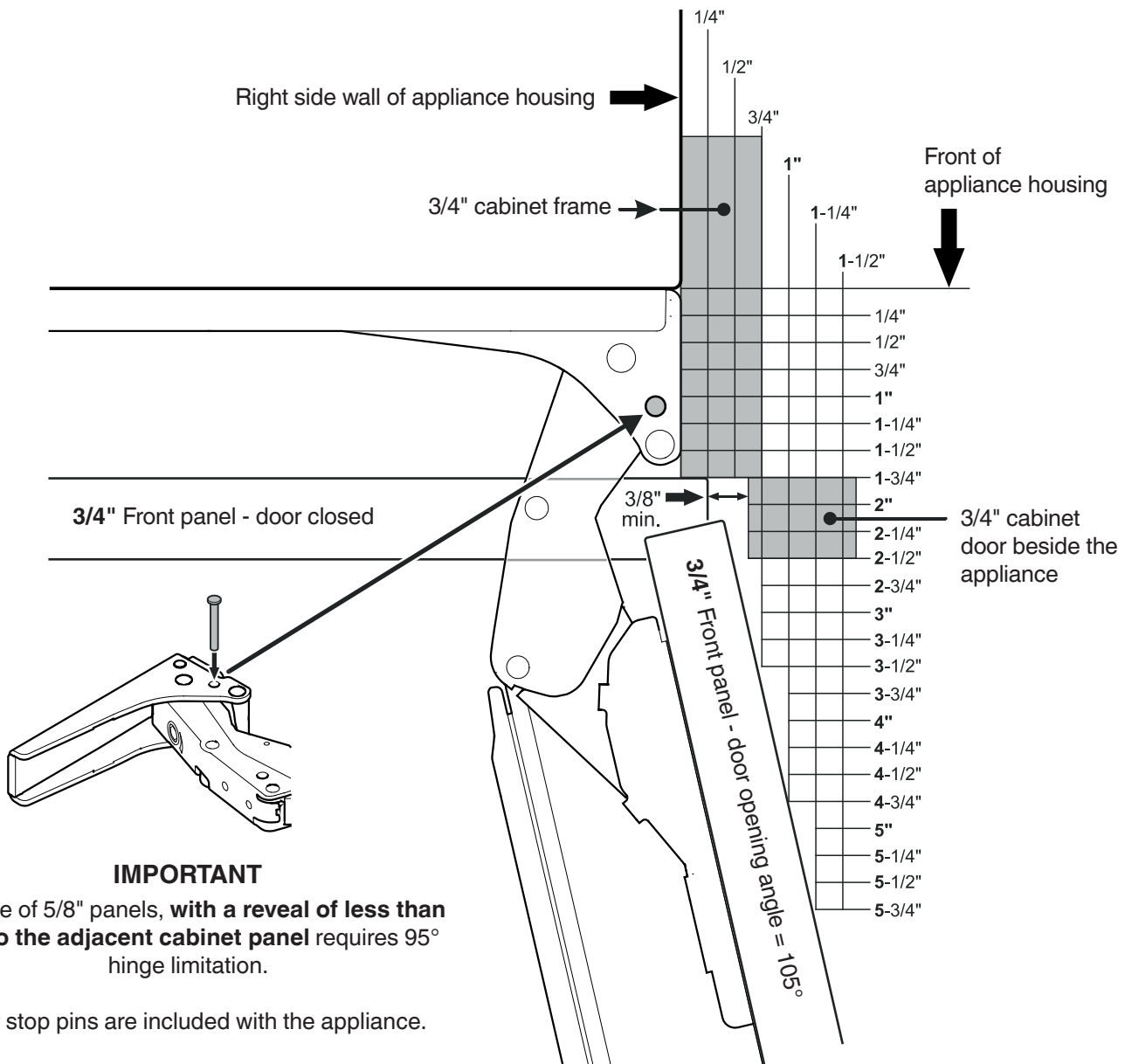
When the hinge is limited to 95°, the minimum reveal is 1/8".

Fully Integrated

HC 2092(G), HCB 2092(G)

Door Swing Clearance - Frameless installation style

Front panel 3/4"



IMPORTANT

The use of 5/8" panels, **with a reveal of less than 1/4" to the adjacent cabinet panel** requires 95° hinge limitation.


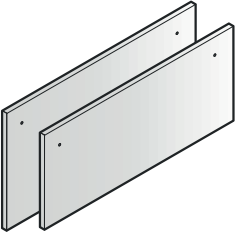
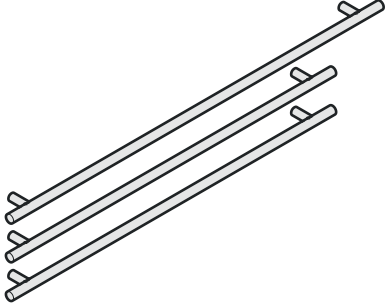
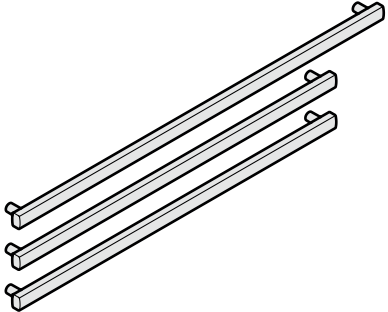
Door stop pins are included with the appliance.

If the reveal is less than 1/4" **the panel will interfere with the adjacent cabinet panel** at 105° opening angle.

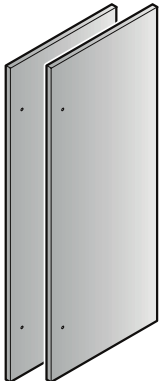
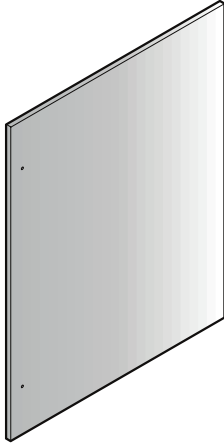
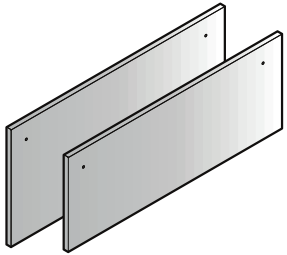
When the hinge is limited to 95°, the minimum reveal is 1/8".

Fully Integrated

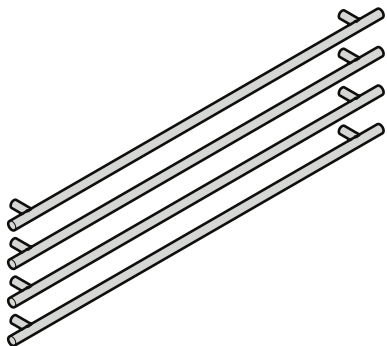
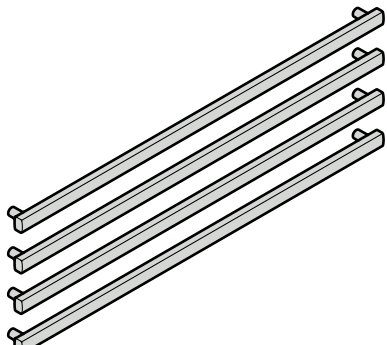
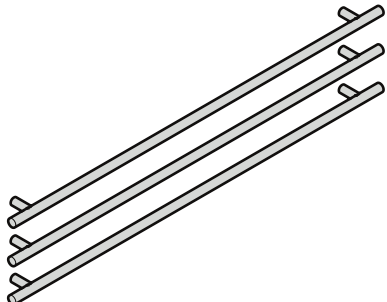
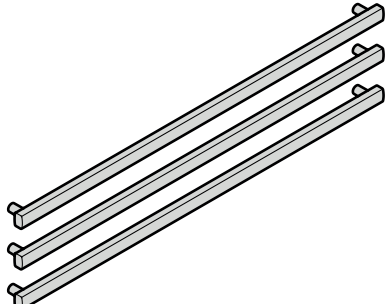
Accessories

Image	Article number	Name of the item	For use with model
	9900 287-00	Stainless steel panel refrigerator door 80" recess height. (Inset installation style) Height: 45 - 1/4" Width: 29 - 3/4" Thickness: 3/4"	HC 1570 (G) HC 1571 (G) HC 1580 (G) HC 1581 (G) HCB 1590 (G) HCB 1591 (G)
	9904 367-00	Stainless steel panel refrigerator door 84" (gray) recess height. (Inset installation style) Height: 49 - 1/4" Width: 29 - 3/4" Thickness: 3/4"	HC 1570 G HC 1571 G HC 1580 G HC 1581 G HCB 1590 G HCB 1591 G
	9900 331-00	Stainless steel panel refrigerator door 84" (white) recess height. (Inset installation style) Height: 49 - 1/4" Width: 29 - 3/4" Thickness: 3/4"	HC 1570 HC 1571 HC 1580 HC 1581 HCB 1590 HCB 1591
	9900 283-00	Stainless steel panels freezer drawers (Inset installation style) Top panel Height: 13 - 7/16" Width: 29 - 3/4" Thickness: 3/4" Bottom panel Height: 16 - 9/16" Width: 29 - 3/4" Thickness: 3/4"	HC 1570(G) HC 1571(G) HC 1580(G) HC 1581(G) HCB 1590(G) HCB 1591(G)
	9900 279-00	Handle set stainless steel	HC 1570(G) HC 1571(G) HC 1580(G) HC 1581(G) HCB 1590(G) HCB 1591(G)
	9900 281-00	Handle set aluminium	HC 1570(G) HC 1571(G) HC 1580(G) HC 1581(G) HCB 1590(G) HCB 1591(G)

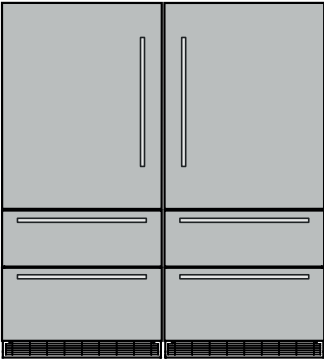
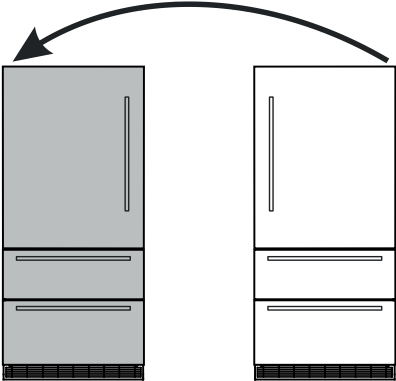
Fully Integrated

Image	Article number	Name of the item	For use with model
	9900 337-00	Stainless steel panels refrigerator doors 80" recess height. (Inset installation style) Height: 45 - 1/4" Width: 17 - 3/4" Thickness: 3/4"	HC 2092 (G) HCB 2092 (G)
	9904 386-00	Stainless steel panels refrigerator doors 84" (gray) recess height. (Inset installation style) Height: 49 - 1/4" Width: 17 - 3/4" Thickness: 3/4"	HC 2092 G HCB 2092 G
	9900 335-00	Stainless steel panels refrigerator doors 84" (white) recess height. (Inset installation style) Height: 49 - 1/4" Width: 17 - 3/4" Thickness: 3/4"	HC 2092 HCB 2092
	9900 333-00	Stainless steel panel refrigerator door 80" recess height. (Inset installation style) Height: 45 - 1/4" Width: 35 - 3/4" Thickness: 3/4"	HC 2090(G) HC 2091(G) HCB 2090(G) HCB 2091(G)
	9904 381-00	Stainless steel panel refrigerator door 84" (gray) recess height. (Inset installation style) Height: 49 - 1/4" Width: 35 - 3/4" Thickness: 3/4"	HC 2090 G HC 2091 G HCB 2090 G HCB 2091 G
	9900 331-00	Stainless steel panel refrigerator door 84" (white) recess height. (Inset installation style) Height: 49 - 1/4" Width: 35 - 3/4" Thickness: 3/4"	HC 2090 HC 2091 HCB 2090 HCB 2091
	9900 323-00	Stainless steel panels freezer drawers (Inset installation style) Top panel Height: 13 - 7/16" Width: 35 - 3/4" Thickness: 3/4" Bottom panel Height: 16 - 9/16" Width: 35 - 3/4" Thickness: 3/4"	HC 2092(G) HCB 2092(G) HC 2090(G) HC 2091(G) HCB 2090(G) HCB 2091(G)

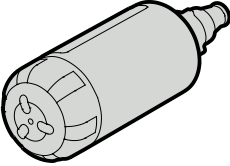
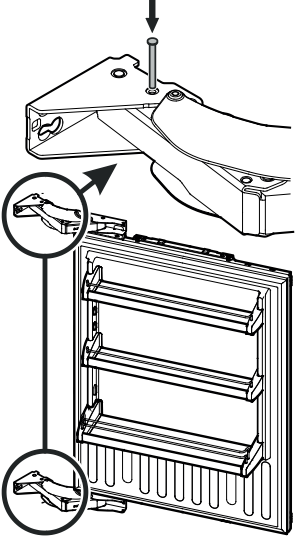
Fully Integrated

Image	Article number	Name of the item	For use with model
	9900 339-00	Handles stainless steel (4 pcs)	HC 2092(G) HCB 2092(G)
	9900 513-00	Handles aluminium (4 pcs)	HC 2092(G) HCB 2092(G)
	9900 327-00	Handles stainless steel (3 pcs)	HC 2090(G) HC 2091(G) HCB 2090(G) HCB 2091(G)
	9900 329-00	Handles aluminium (3 pcs)	HC 2090(G) HC 2091(G) HCB 2090(G) HCB 2091(G)

Fully Integrated

Image	Article number	Name of the item	For use with model
	9904 324-00	Side by Side Kit (gray) Includes anti-sweat panel, connecting parts, covers and assembly instruction.	HC 1570 G HC 1571 G HC 1580 G HC 1581 G HCB 1590 G HCB 1591 G
	9900 219-00	Side by Side Kit (white) Includes anti-sweat panel, connecting parts, covers and assembly instruction.	HC 1570 HC 1571 HC 1580 HC 1581 HCB 1590 HCB 1591
	9904 343-00	Side by Side Kit (gray) Includes anti-sweat panel, connecting parts, covers and assembly instruction.	HC 2090 G HC 2091 G HCB 2090 G HCB 2091 G
	9900 183-00	Side by Side Kit (white) Includes anti-sweat panel, connecting parts, covers and assembly instruction.	HC 2090 HC 2091 HCB 2090 HCB 2091
	9905 034-00	Door reverse kit (gray)	HC 1570 G HC 1571 G HC 1580 G HC 1581 G HCB 1590 G HCB 1591 G
	9900 167-00	Door reverse kit (white)	HC 1570 HC 1571 HC 1580 HC 1581 HCB 1590 HCB 1591
	9905 061-00	Door reverse kit (gray)	HC 2090 G HC 2091 G HCB 2090 G HCB 2091 G
	9900 165-00	Door reverse kit (white)	HC 2090 HC 2091 HCB 2090 HCB 2091

Fully Integrated

Image	Article number	Name of the item	For use with model
	9880 980-00	Water filter	HCB 1590(G) HCB 1591(G) HC 2090(G) HC 2091(G) HCB 2090(G) HCB 2091(G) HC 2092(G) HCB 2092(G)
	9096 699-01	Door stop pins 90° Largedoor Includes 2 pins and assembly instruction.	HC 1570(G) HC 1571(G) HC 1580(G) HC 1581(G) HCB 1590(G) HCB 1591(G) HC 2090(G) HC 2091(G) HCB 2090(G) HCB 2091(G)

