

			重要度	
--	--	--	-----	--

--	--	--	--	--

--	--	--	--	--

产品名称	冷藏冷冻箱
------	-------

产品型号	BCD-622WP3BF1/HC1 (H)
------	-----------------------

--

出口型号	RB-81W1EZS/S-001-001
------	----------------------

立项单编号	RBXLXC2100934
-------	---------------

借（通） 用件登记
--------------

--	--	--	--	--	--	--	--

--	--	--	--	--	--	--	--

旧底图总号							
-------	--	--	--	--	--	--	--

--	--	--	--	--	--	--	--

底图总号	A						
------	---	--	--	--	--	--	--

	版本	更改单编号	签字	日期	重量	比例	
--	----	-------	----	----	----	----	--

出图审查	设计	何川	审核				使用说明书
------	----	----	----	--	--	--	-------

	标准化				共页	第页	BSSJ00006308
--	-----	--	--	--	----	----	--------------

日期	批准						
----	----	--	--	--	--	--	--

# Hisense

life reimagined

## **USER'S OPERATION MANUAL**

Before operating this unit, please read this manual thoroughly, and retain for future reference.

**RB-81W1EZS/S-001-001**

EN

English

For questions about features, operation/performance, parts or service, call: 1-855-344-7367

# Contents

**Thank you for choosing Hisense. We are sure you will find your new refrigerator a pleasure to use. However, before you use the appliance, we recommend that you carefully read the instructions, which provide details about installing and using the product. Please keep this manual for future reference.**

Safety and warning information .....	01
Installing your new appliance.....	06
Description of the appliance.....	14
Display controls.....	15
Using your appliance.....	19
Cleaning and care.....	20
Helpful hints and tips.....	22
Troubleshooting.....	23
Disposal of the appliance.....	27

# Safety and warning information

For your safety and correct usage before installing and first using the appliance, read this user manual carefully, including its hints and warnings. To avoid unnecessary mistakes and accidents, it is important to make sure that all people using the appliance are thoroughly familiar with its operation and safety features. Save these instructions and be sure that they remain with the appliance if it is moved or sold, so that anyone using it throughout its life, will be properly informed on its usage and safety notices. For the safety of life and property, keep the precautions of these user's instructions as the manufacturer is not responsible for damages caused by omission.



## WARNING

- Do not use mechanical devices or other means to accelerate the defrosting process, other than those recommended by the manufacturer.
- Do not damage the refrigerant circuit.
- Do not use electrical appliances inside the food storage compartments of the appliance, unless they are of the type recommended by the manufacturer.
- When disposing of the appliance do so only at an authorized waste disposal center. Do not expose to flame.
- Connect to potable water supply only.
- If the SUPPLY CORD is damaged, it must be replaced by the manufacturer, its service agent or similarly qualified person in order to avoid a hazard.
- Keep ventilation openings in the appliance enclosure or in the built-in structure, clear of obstruction.
- Do not store explosive substances such as aerosol cans with a flammable propellant in this appliance.

# Safety and warning information



## General safety and daily use

**It is important to use your appliance safely. We recommend that you follow the guidelines below.**

**Store any food in accordance with the storage instructions from the manufacturer.**

- This appliance is intended to be used in household and similar applications such as
  1. staff kitchen areas in shops, offices and other working environments;
  2. farm houses and by clients in hotels, motels and other residential type environments;
  3. bed and breakfast type environments;
  4. catering and similar non-retail application.
- Don't try to repair the appliance yourself. It is dangerous to alter the specifications or modify this product in any way. Any damage to the power cord may cause a short circuit, fire or electric shock.
- Don't place too much food directly against the air outlet on the rear wall of both the refrigerator and freezer compartment, as it may affect important air circulation.
- Don't place hot items near the plastic components of this appliance.
- Frozen food must not be refrozen once it has been thawed out.
- Don't store bottled or canned drinks (especially carbonated drinks) in the freezer compartment. Bottles and cans may explode.
- Use caution consuming popsicle or ice cubes straight from the freezer as this can cause freezer burn to the mouth and lips.
- In order to sense the temperature and humidity near the appliance and make the appliance run better, temperature and humidity sensor are added outside the box of appliance.

# Safety and warning information



## Safety for children and others who are vulnerable people

- This appliance is not intended for use by persons (including children) with reduced physical, sensory or mental capabilities, or lack of experience and knowledge, unless they have been given supervision or instruction concerning use of the appliance by a person responsible for their safety. Children should be supervised to ensure that they do not play with the appliance.
- Keep all packaging away from children to avoid risk of suffocation.
- Protect children from being scalded by touching the compressor at the rear bottom of appliance.
- Do not place items on top of the appliance as this could cause injury should they fall off.
- Never allow children to play with the appliance by hanging or standing over or on the doors, racks, shelves and drawers etc.



## Electrical Safety

**To avoid the risks that are always present when using an electric appliance, we recommend that you pay attention to the instructions about electricity below.**

- Unpack and check through the appliance. Should any damage be evident, don't plug in the appliance but contact the shop immediately from which you purchased it. Keep all packing materials in this case.
- We recommend that you wait for 4 hours before connecting the appliance to allow the refrigerant to flow back into the compressor.
- The appliance must be applied with single phase alternating current of 110~115V/60Hz. If the voltage fluctuates exceeding the upper limit, A.C. automatic voltage regulator of more than 350W should be applied to the refrigerator for safety use.
- The power plug must be accessible when the appliance is installed.

# Safety and warning information



## Electrical Safety

- This appliance must be grounded.
- This appliance is fitted with a plug, in accordance with local standard. The plug should be suitable for use in all houses fitted with sockets in accordance with current specifications.
- If the fitted plug is not suitable for your socket outlets, it should be cut off and carefully disposed of. To avoid a possible shock hazard, do not insert the discarded plug into a socket. If in doubt contact a qualified, registered electrician.
- Do not use extension cords or multiple sockets which could cause overloading of wiring circuits and could cause a fire. Always plug your appliance into its own individual electrical socket which has a voltage rating that matched the rating plate.
- Make sure that the plug is not squashed or damaged. Otherwise, it may cause short circuit, electric shock or overheat and event cause a fire.
- Do not insert the power plug if the socket is loose, there is a risk of electric shock or fire.
- Switch off the appliance and disconnect it from the main power before you clean or move it.
- Never unplug the appliance by pulling on the electrical cord. Always grip the plug firmly and pull straight out from the socket to prevent damaging the power cord.
- Do not operate the appliance without the cover of interior lighting.
- Any electrical component must be replaced or repaired by a qualified electrician or authorized service engineer. Only genuine replacement parts should be used.
- Do not use electrical appliances such as ice cream makers inside the food storage compartments of the appliance unless they are approved by the manufacturer.

# Safety and warning information



## Electrical Safety

- To avoid eye injury, do not look directly into the LED light located in the refrigerator compartment. If it is not functioning correctly, consult a qualified, registered electrician or replace it in accordance with the “Cleaning and Care” chapter.



## Refrigerant

- The refrigerant isobutane (R600a) is contained with the refrigerant circuit of the appliance. During transportation and installation of the appliance, ensure that none of the components of the refrigerant circuit become damaged.



## Caution: Risk of Fire

- Don't store products which contain flammable propellants (e.g. spray cans) or explosive substances in the appliances.

### **Should the refrigerant circuit be damaged:**

- Avoid open flames (candles, lamps etc,) and other sources of ignition.
- Thoroughly ventilate the room in which the appliance is situated.



## DANGER

**To Risk of child entrapment. Before you throw away your old refrigerator or freezer:**

- Take off the doors.
- Leave the shelves in place so that children may not easily climb inside.

# Installing your new appliance

Before using the appliance for the first time, you should be aware of the following tips.

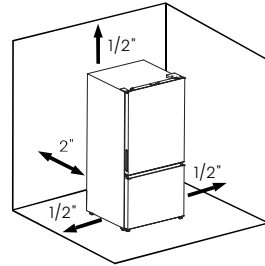


## Ventilation of appliance

In order to improve efficiency of the cooling system and save energy, it is necessary to maintain good ventilation around the appliance for the dissipation of heat. For this reason, sufficient clear space should be available around the refrigerator.

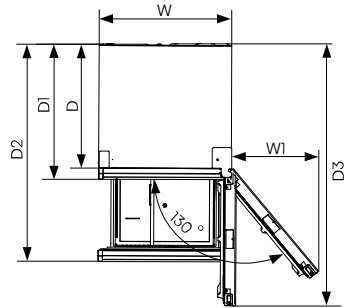
### Suggest:

The following figure shows the minimum installation size of the appliance, which is different from the electricity consumption charges test conditions. Too small of a distance from adjacent items may result in lowered freezing capability and increased electricity consumption charges. It is advisable for there to be at least 2 inches of space from the back to the wall, at least 1/2 inches from its top, at least 1/2 inches from its side to the wall and a clear space in front and side to allow the door to open 130°. See in follow diagrams. Please refer to the diagrams below.



Relevant information (inch)

W	W1	D	D1	D2	D3
31.3"	20.5"	29.2"	32.2"	51.1"	61.4"



## Note

This appliance performs well in the climate class from SN to ST. It may not work properly if being left at a temperature above or below the indicated range for a long period.

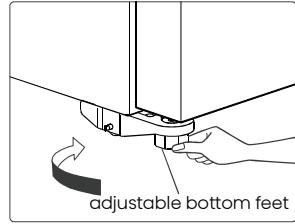
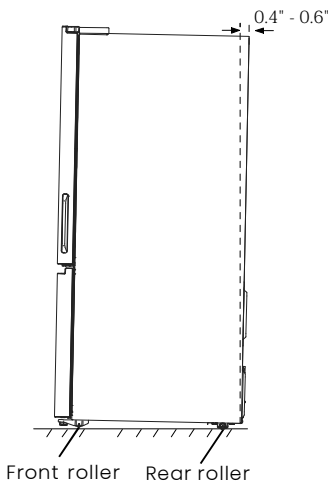
Climate class	Ambient temperature
SN	+50°F to +90°F
N	+61°F to +90°F
ST	+61°F to +100°F
T	+61°F to +109°F

# Installing your new appliance

Stand your appliance in a dry place to avoid high moisture damage. Keep the appliance out of direct sunlight, rain or frost. Stand the appliance away from heat sources such as stoves, fires or heaters.

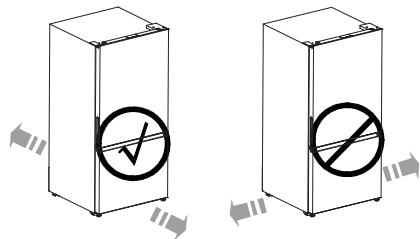
## Leveling of appliance

- For sufficient leveling and air circulating in the lower rear section of the appliance, the bottom feet may need to be adjusted. You can adjust them manually by hand or by using a suitable spanner.
- To allow the doors to self-close, tilt back the top backwards at about 0.4" - 0.6" by turning the adjustable feet.
- Whenever you want to move the appliance, remember to turn the feet back up, so that the appliance can roll freely. Reinstall the appliance when relocating.



## Warning

- For proper installation, this refrigerator must be placed on a level surface of hard material that is the same height as the rest of the flooring. This surface should be strong enough to support a fully loaded refrigerator.
- The rollers, which are not castors, should be only used for forward or backward movement. Moving the refrigerator sideways may damage your floor and the rollers.
- It is advisable to adjust both the bottom feets until they touch the ground after placing the refrigerator.





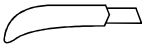


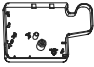



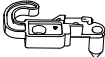


# Installing your new appliance

## Reversing the door

- The side at which the door opens can be changed, from the right side (as supplied) to the left side if required.

## Tools you will need:

Not provided	
	
Wrench/5/16"	Cross screwdriver
	
Thin-blade screwdriver	Monkey wrench
	
Thin blade (utility knife e.g.)	
Additional parts (in the plastic bag)	
	
Allen Wrench/5/32"	
	
Upper Hinge-Left	Upper Hinge Cover-left
	
Screw Hole Cover right	Middle Hinge-left
	
Left stop Block	Left Door Stopper

## Warning

- When reversing the door, the appliance must not be connected to the Power. Ensure that the plug is removed from the power socket.

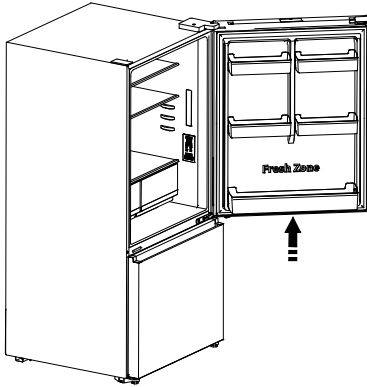
## Note

- If required, you may lay the refrigerator on its back in order to gain access to the base, you should rest it on soft foam packaging or similar material to avoid damaging the backboard of the refrigerator.

To reverse the door, the following steps generally recommended.

- Stand the refrigerator upright. Open the door to take out all door racks (to avoid damage) and then close the door.

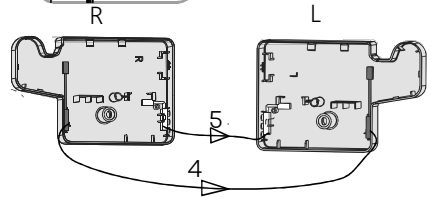
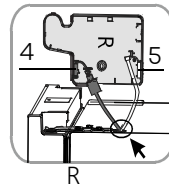
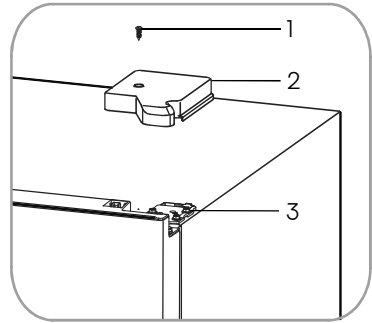
# Installing your new appliance



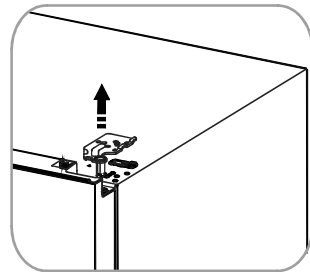
## Caution

- Please slightly squeeze the door rack from two sides toward center and inside of door rack, and then move it upward when taking out the upper rack and lower rack.

2. With the door closed, unscrew 1 and remove upper hinge cover-right 2 from the right-top corner of cabinet. Remove the reed switch 4 and the humidity sensor unit 5 from the cabinet and upper hinge cover-right 2, Install them on the upper hinge cover-left (provided in the plastic accessory bag). Unscrew the three screws 3 which are used for fixing the upper hinge-right (see the picture below).

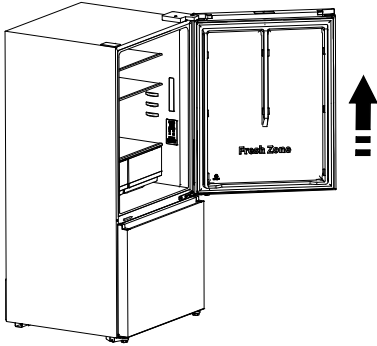


3. Remove the upper hinge-right (please hold upper door by hand when installing).

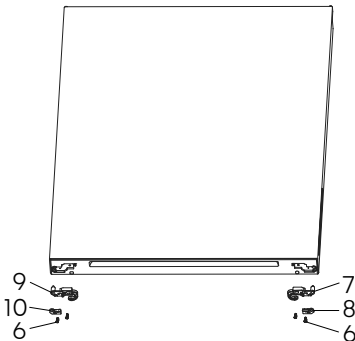


# Installing your new appliance

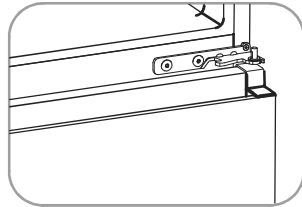
4. Remove the upper door from the middle hinge by carefully lifting the door straight up. Then place the upper door on a smooth surface with its panel upwards.



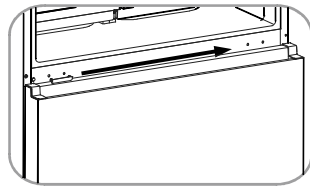
5. Unscrew the two screws 6, then take out the right door stopper for fridge door 7 and the right stopper block for fridge door 8. Install the replacement left door stopper 9 and left stopper block 10 (provided in the plastic accessory bag) to the left side with screws 6. Keep 7 and 8 with the appliance for future reference.



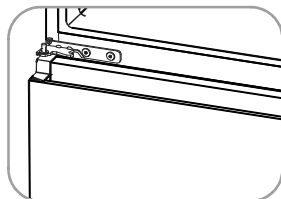
6. Open the freezer door, use the Allen wrench (provided in the plastic accessory bag) to unscrew the plastic screws used to fix the middle hinge-right and remove middle hinge-right. Keep the middle hinge-right for future reference.



7. Change screw hole covers and screw on middle cover plate from left to right (as shown in figure below).

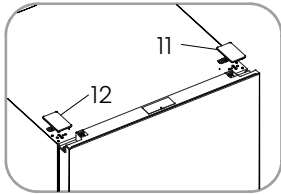


8. Put out the Middle Hinge-left (provided in the plastic accessory bag), then screw it with 2 screws from right side.

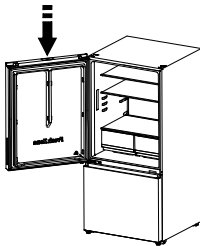


# Installing your new appliance

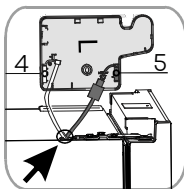
9. Install the screw hole cover-right 11 (provided in the plastic accessory bag) to the right-top corner of cabinet. Remove screw hole cover-left 12 from the left-top corner of cabinet with the thin-blade screwdriver and keep the screw hole cover-left and upper hinge-right for future reference.



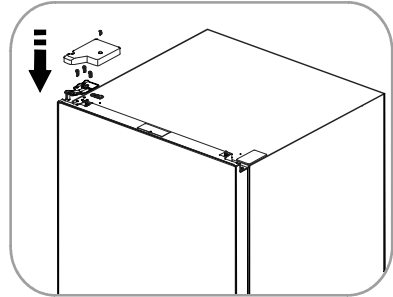
10. Carefully slot the upper door onto the middle hinge pin and hold in position. Move the upper door to an appropriate position, adjust the upper hinge-left (provided in the plastic accessory bag) and upper door, then fit the hinge pin into the hinge hole at the top of the upper door to secure it in place. Then fix the upper hinge part with screws (Please carefully hold the upper door by hand when installing).



11. Please tear off the sealing paper at the arrow as shown below, slightly pull the wiring harness out of the box, and connect it to parts 4 and 5 according to the corresponding terminals.



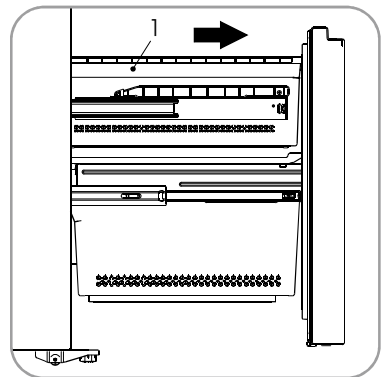
12. Assemble the upper hinge cover-left to match the hinge. Install the door racks to original position. Keep the upper hinge cover-right with the appliance for future reference.



## Lower door removal

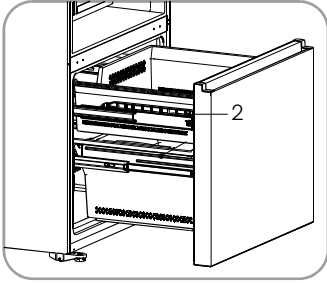
In case your home access door is too narrow for the refrigerator to pass through, remove the lower door and drawers as follows.

1. Firstly, open the upper door, then pull out the lower door and upper freezer drawer 1 to the final position.

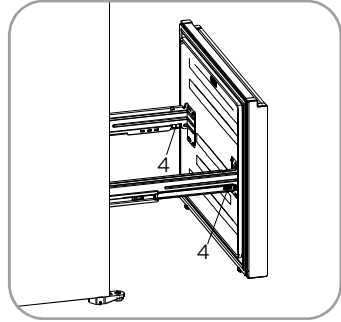


# Installing your new appliance

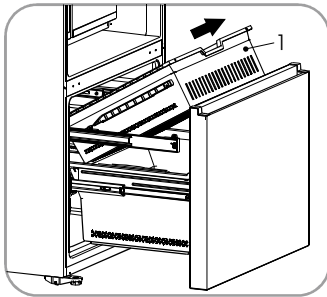
2. Remove the 2 screws(2) fixed on the upper drawer with cross screwdriver.



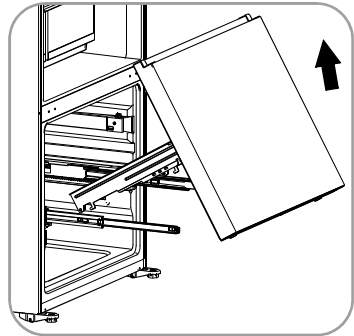
5. Remove the 2 screws(4) holding the support with Cross screwdriver.



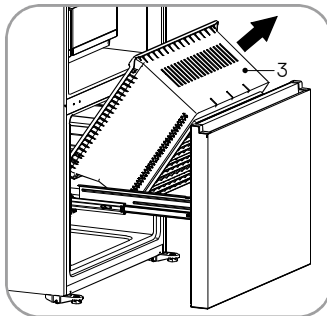
3. Take out the upper drawer by lifting it up from the rail system.



7. Remove the freezer door by lifting it up.



4. Take out the lower drawer(3) by lifting it up.

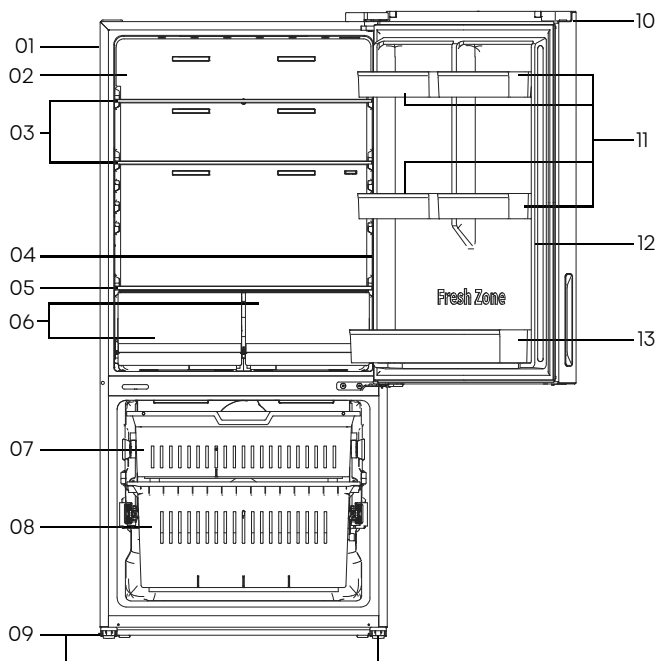


## Re-assembling the lower door

To reattach the doors and drawers after you moved the appliance to its final location, assemble the parts in reverse order.

# Description of the appliance

## View of the appliance



- |                               |                            |
|-------------------------------|----------------------------|
| 01. Cabinet                   | 08. Lower freezer drawer   |
| 02. Wind channel              | 09. Adjustable bottom feet |
| 03. Glass shelf               | 10. Fridge door            |
| 04. Control panel             | 11. Small rack             |
| 05. Crisper cover             | 12. Fridge gasket          |
| 06. Fruit & Vegetable Crisper | 13. Lower rack             |
| 07. Middle freezer drawer     |                            |

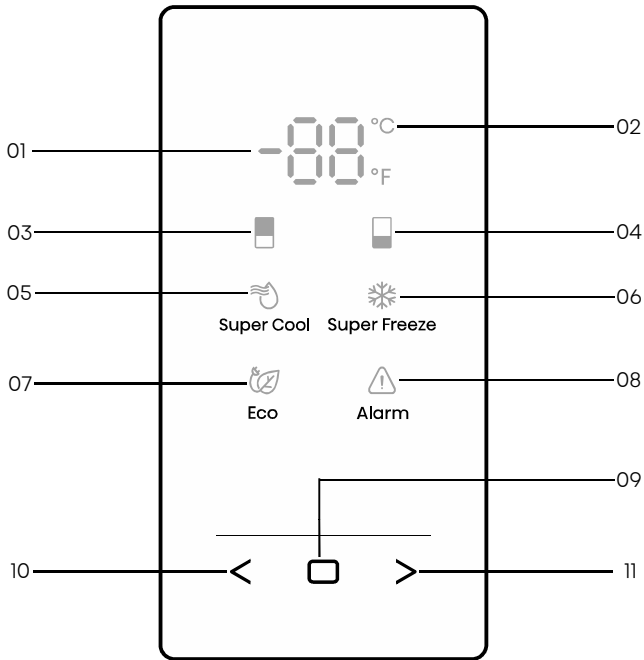


Due to constant development of our products, your refrigerator may be slightly different from this instruction manual, but its functions and usage remain the same.

To get the best energy efficiency of this product, please place all shelves, drawers on their original position as the illustration above.

# Display controls

- Use your appliance according to the following control regulations, your appliance has the corresponding functions and modes as the display panels showed in the pictures below.



- 01. Temperature Area
- 02. Celsius/Fahrenheit Indicator
- 03. Fridge Compartment Icon
- 04. Freezer Compartment Icon
- 05. Super Cool Icon
- 06. Super Freeze Icon

- 07. Eco Icon
- 08. Alarm Icon
- 09. Confirm Control
- 10. Function selector Control :  
Left Control
- 11. Function selector Control :  
Right Control

# Display controls



## Note

### Note:

- Once the appliance is powered on, all icons on the display panel will be lit for 3 seconds with a buzzer sound.
- All the icons will go off on the condition of all keys untouched and all doors closed for one minute.
- The control panel will light up when the door is open or you touch any button.
- Setting the refrigerator running at high temperature will accelerate food decomposition. For optimum food preservation, we recommend that when starting the refrigerator for the first time, the temperature of fridge is set to 4° C (39° F) and that of the freezer to -18° (0°) F

### Caution!

- The temperature only means the average temperature of the whole refrigerator cabinet. Temperatures inside each compartment may vary from those displayed on the panel, depending on how much food stored and where the refrigerator is placed. In addition, the actual temperature from higher room and lower room will be different.



"Switching Celsius and Fahrenheit"

1. Press "<" or ">" repeatedly until the Celsius/Fahrenheit Indicator "°C" or "°F" blinks.

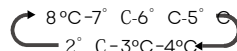
2. Press the Confirm Control "□" for the first time, and "°C" or "°F" will be always on. After that, each time you press the Confirm Control "□", the temperature will be switched between °C and °F, and the temperature setting value of the corresponding unit will be displayed in the temperature area.



"Fridge temperature control"

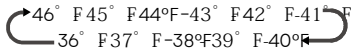
1. Press "<" or ">" repeatedly until the Fridge icon "■" blinks.

2. Press the Confirm Control "□" for the first time, and the Fridge icon "■" will be always on. After that, press the Confirm Control "□" repeatedly to cycle through the available temperature settings, from 8° C to 2° C if you have set temperature type to Celsius.



# Display controls

If you have set temperature type to Fahrenheit, the temperature settings cycle will be from 46° F to 36° F.



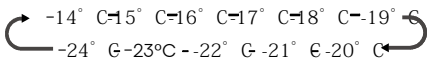
**Note:** Each press of the button, the temperature drops one degree.



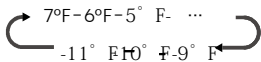
"Freezer temperature control"

1. Press "<" or ">" repeatedly until the Freezer icon "❏" blinks.

2. Press the Confirm Control "❏" for the first time, and the Freezer icon "❏" will be always on. After that, press the Confirm Control "❏" repeatedly to cycle through the available temperature settings, from -14°C to -24°C if you have set temperature type to Celsius.



If you have set temperature type to Fahrenheit, the temperature settings cycle will be from 7° F to -11° F.



**Note:** Each press of the button, the temperature drops one degree.



"Super Cool"

The Super Cool feature helps to keep food stored in the refrigerator at the setting temperature during periods of high usage, large grocery loads, or temporarily warm room temperatures. The Super Cool feature lowers the temperature in the fridge compartment to 2° C (36° F) to cool food.

1. Press "<" or ">" repeatedly until the Super Cool icon "☹️" blinks.

2. Press the Confirm Control "❏" to turn the Super Cool function on or off.

When the Super Cool function is turned on, the "☹️" icon lights.

3. When setting fridge temperature, the Super Cool function will turn off and the temperature setting will revert back to the previous setting.

**NOTE:** Super Cool will automatically turn off after 6 hours.



"Super Freeze"

This Super Freeze feature helps to keep the food stored in the freezer as the setting temperature during periods of high usage, large grocery loads, or temporarily warm room temperatures. The Super Freeze feature lowers the temperature in the freezer compartment to -24° C (-11° F) to freeze the food faster.

# Display controls

1. Press "<" or ">" repeatedly until the Super Freeze icon "❄️" blinks.
2. Press the Confirm Control "□" to turn the Super Freeze function on or off. When the Super Freeze function is turned on, the "❄️" icon lights.
3. When setting freezer temperature, the Super Freeze function will turn off and the temperature setting will revert back to the previous setting.

**NOTE:** Super Freeze will automatically turn off after 52 hours.

When you selecting the Super Freeze function, ensure there are no bottled or canned drinks (especially carbonated drinks) in the freezer compartment. Bottles and cans may explode.



## "Eco"

The Eco feature makes the refrigerator worked in an energy saving mode which is useful for reducing energy consumption when you are away.

1. Press "<" or ">" repeatedly until the Eco icon "🌿" blinks.
2. Press the Confirm Control "□" to turn the Eco function on or off. When the Eco function is turned on, the "🌿" icon lights.
3. When setting fridge or freezer temperature, the Eco function will turn off and the temperature setting will revert back to the previous setting.

**NOTE:** When the Eco function is on, the temperature of fridge is automatically switched to 6° C (43° F) and the temperature of freezer is automatically switched to -17° C (1° F).



## "Door Open Alarm"

If the fridge door is opened for longer than 2 minutes, the control panel will display "dr", the "⚠️" icon will blink and the buzzer will sound 3 times every minute for 8 minutes.

Pressing and holding "□" and ">" buttons at the same time for three seconds during door alarm, the "⚠️" icon will be on and buzzing will stop. Closing the fridge door, the "⚠️" icon will go off and buzzing will stop.

## "Demo Mode"

Demo mode is for store display, and it prevents the refrigerator from generating cool air. In this of Cooling Off Mode, the refrigerator may seem like it is working but it will not make cool air.

If you enter the Demo mode, the temperature area will show "OF". To switch off Demo mode, press and hold "<" and ">" buttons at the same time for 5 seconds and the buzzer gave a long sound.

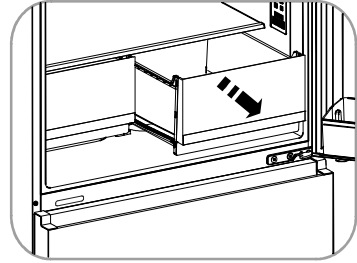
**NOTE:** The Demo Mode stays on even if the refrigerator powers off. If the consumers enter the mode with unintentional operation, you should exit as soon as possible, since the refrigerator will not cool in this mode, which will cause the food going bad.

# Using your appliance

This section tells you how to use most of the useful features. We recommend that you read through them carefully before using the appliance.

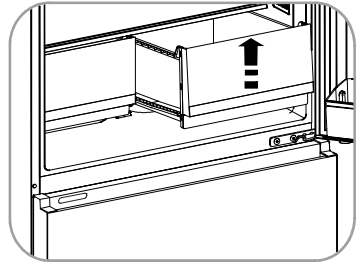
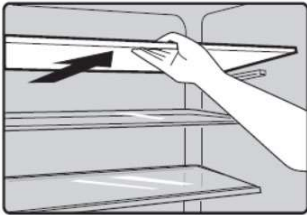
## Door rack

- It is suitable for the storage of canned liquid, bottled drinks and packed food, etc. Do not place too many heavy things in the racks.



## Shelf in refrigerator chamber

- There are shelves in refrigerator chamber, and they can be taken out to be cleaned.



## Refrigerator drawers

- The drawers are suitable for storage of fruits and vegetable. It can be taken out to be cleaned. To take out the drawer, first pull the drawer out in level, then tip up it as the picture below shows. According to the opposite sequence the drawer can be positioned rightly.

## 2. Using your freezer compartment

Freezer compartment is suitable for storage of foods required to be frozen, such as meat, fish, ice cream and other perishable items.

### **Caution**

Ensure that bottles are not left in the freezer for longer than needed as freezing may cause the bottle break. Bottled or canned liquid are at risk of exploding caused by volume expansion and so should not be stored in the freezer

# Cleaning and care

- For hygienic reasons the appliance (including exterior and interior accessories) should be cleaned regularly (at least every two

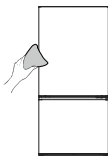
## Warning

- The appliance must not be connected to the mains during cleaning. Dange of electrical
- shock! Before cleaning switch the appliance off and remove the plug from the mains socket.

## Exterior cleaning

To maintain good appearance of your appliance, you should clean it regularly.

- Wipe the digital panel and display panel with a clean, soft cloth.
- Spray water onto the cleaning cloth instead of spraying directly on the surface of the appliance. This helps ensure an even distribution of moisture to the surface.
- Clean the doors, handles and cabinet surfaces with a mild detergent and then wiped dry with a soft cloth.

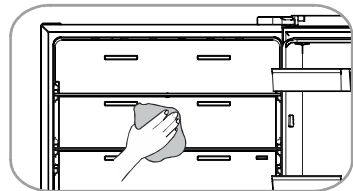


## Warning

- Do not use sharp objects as they are likely to scratch the surface. Do not use Thinner, Car
- detergent Clorox, ethereal oil, abrasive cleansers or organic solvent such as Benzene for cleaning. They may damage the surface of the appliance and may cause fire.

## Interior cleaning

- You should clean the appliance interior regularly. It will be easier to clean when food stocks are low. You can remove the drawers and shelves for a more thorough clean.
- Wipe the inside of the freezer with a weak solution of bicarbonate of soda, and then rinse with warm water using a wrung-out sponge or cloth. Wipe completely dry before
- replacing the shelves and baskets. Thoroughly dry all surfaces and removable parts before putting them back into place.



# Cleaning and care

- Although this appliance automatically defrosts, a layer of frost may occur on the freezer compartment's interior walls if the freezer door is opened frequently or kept open too long.
- If the frost is too thick, choose a time when the freezer is nearly empty and proceed as follow:
  1. Remove existing food and accessories baskets, unplug the appliance from the mains power and leave the doors open. Ventilate the room thoroughly to accelerate the process.
  2. When defrosting is completed, clean your freezer as described above.



## Warning

- Do not use sharp objects to remove frost from the freezer compartment.
- Only after the interior is completely dry should the appliance be switched back on and plugged back into the mains socket.

## Door seals cleaning

- Take care to keep door seals clean. Sticky food and drinks can cause seals to stick to the cabinet and tear when you open the door. Wash the seals with a mild detergent and warm water. Rinse and dry them thoroughly after cleaning.

## Replacing the LED light

- To replace the LED light, the below steps can be followed:
  1. Unplug your appliance.
  2. Hold a thin blade, insert it into the gap at either end of the lampshade, and tilt one end of the lampshade.
  3. Move the blade insertion position to the other end and tilt the lampshade section by section until the lampshade falls off.
  4. Press the elastic snap of the light box with a thin-blade screwdriver, and pull one end of the elastic snap of the LED light until the LED light is detached and then pull out the connecting terminal of the LED light.
  5. Replace the LED light, install it and lampshade correctly in place.



## Warning

- The LED light should be replaced by a professional. If the LED light is damaged, contact the customer helpline for assistance.

# Helpful hints and tips

## Energy saving tips

- We recommend that you follow the tips to save energy.
- Try to avoid keeping the door open for long periods in order to conserve energy.
  - Ensure the appliance is away from any sources of heat (Direct sunlight, electric oven or cooker etc.)
  - Don't set the temperature colder than necessary.
  - Don't store warm food or evaporating liquid in the appliance.
  - Place the appliance in a well ventilated, humidity free room. Please refer to the installing your new appliance chapter.
  - The description of appliance diagram shows the correct combination for the drawers, crisper and shelves, do not adjust the combination as this is designed to be the most energy efficient configuration.

## Hints for fresh food refrigeration

- Do not place hot food directly into the refrigerator or freezer, the internal temperature will increase resulting in the compressor having to work harder and will consume more energy.
- Do cover or wrap the food, particularly if it has a strong flavor.
- Place food properly so that air can circulate freely around it.

## Hints for refrigeration

- Meat (All Types) Wrap in polythene food: wrap and place on the glass shelf above the vegetable drawer. Always follow food storage times and use by dates suggested by manufacturers.
- Cooked food, cold dishes, etc: They should be covered and may be placed on any shelf.
- Fruit and vegetables: They should be stored in the special drawer provided.
- Butter and cheese: Should be wrapped in airtight foil or plastic film wrap.
- Milk bottles: Should have a lid and be stored in the door racks.

## Hints for freezing

- When first starting-up or after a period out of use, let the appliance run at least 2 hours on the higher settings before putting food in the compartment.
- Prepare food in small portions to enable it to be rapidly and completely frozen and make it possible to subsequently thaw only the quantity required.
- Wrap up the food in aluminum foil or polyethylene food wraps which are airtight.
- Do not allow fresh, unfrozen food to touch the food which is already frozen to avoid partial defrosting.

# Helpful hints and tips

- It is recommended to label and date each frozen package in order to keep track of the storage time.

## Hints for fresh food refrigeration

- Ensure that frozen food has been stored correctly by the food retailer .
- Once defrosted, food will deteriorate rapidly and should not be re-frozen.
- Do not exceed the storage period indicated by the food manufacturer.

## Switching off your appliance

If the appliance needs to be switched off for an extended period, the following steps should be taken to prevent mould on the appliance.

1. Remove all food.
2. Remove the power plug from the mains socket.
3. Clean and dry the interior thoroughly.
4. Ensure that all the doors are wedged open slightly to allow air to circulate.

# Troubleshooting

If you experience a problem with your appliance or are concerned that the appliance is not functioning correctly, you can carry out some easy checks before calling for service, please see below. You can carry out some easy checks according to this section before calling for service.



## Warning

1. Don't try to repair the appliance yourself. If the problem persists after you have made the checks mentioned below, contact a qualified electrician, authorized service technician or the shop where you purchased the product.
2. A child entrapment warning statement is included below.

# Troubleshooting



## Danger

Risk of child entrapment. Before you throw away your old refrigerator or freezer:

- Take off the doors.
- Leave the shelves in place so that children may not easily climb inside.

Problem	Possible Cause & Solution
Appliance is not working correctly	Check whether the power cord is plugged into the power outlet properly.
	Check the fuse or circuit of your power supply, replace if necessary.
	It is normal that the freezer is not operating during the defrost cycle, or for a short time after the appliance is switched on to protect the compressor.
Odours from the compartments	The interior may need to be cleaned.
	Some food, containers or wrapping cause odours.
Noise from the appliance	<p>The sounds below are quite normal:</p> <ul style="list-style-type: none"> <li>• Compressor running noises.</li> <li>• Air movement noise from the small fan motor in the freezer compartment or other compartments.</li> <li>• Gurgling sound similar to water boiling.</li> <li>• Popping noise during automatic defrosting.</li> <li>• Clicking noise before the compressor starts.</li> <li>• Clicking noise when you get the water.</li> <li>• The motor running noises when you get ice.</li> </ul>

# Troubleshooting

Problem	Possible Cause & Solution
Noise from the appliance	<p>Other unusual noises are due to the reasons below and may need you to check and take action:</p> <ul style="list-style-type: none"> <li>• The cabinet is not level.</li> <li>• The back of appliance touches the wall.</li> <li>• Bottles or containers have fallen or are rolling.</li> </ul>
The motor runs continuously	<p>It is normal to frequently hear the sound of the motor, it will need to run more when in following circumstances:</p> <ul style="list-style-type: none"> <li>• Temperature setting is set colder than necessary.</li> <li>• Large quantity of warm food has recently been stored within the appliance.</li> <li>• The temperature outside the appliance is too high.</li> <li>• Doors are kept open too long or too often.</li> <li>• After your installing the appliance or it has been switched off for a long time.</li> </ul>
A layer of frost occurs in the compartment	<p>Check that the air outlets are not blocked by food and ensure food is placed within the appliance to allow sufficient ventilation. Ensure the door can be fully closed . To remove the frost, please refer to the cleaning and care chapter.</p>
Temperature inside is too warm	<p>You may have left the doors open too long or too frequently;</p> <ul style="list-style-type: none"> <li>• Or the doors are kept open by some obstacle;</li> <li>• Or the appliance is located with insufficient clearance at the sides, back and top.</li> </ul>
Temperature inside is too cold	<p>Increase the temperature by following the “Display controls” chapter.</p>
Doors can't be closed easily	<p>Check whether the top of the refrigerator is tilted back by 0.1"-0.2" (2.5-5mm)to allow the doors to self-close, or if something inside is preventing the doors from closing.</p>

# Troubleshooting

<b>Problem</b>	<b>Possible cause &amp; Solution</b>
The light is not working	<ul style="list-style-type: none"><li>• The LED light may be damaged. Refer to replace LED lights in cleaning and care chapter.</li><li>• The control system has disabled the lights due to the door being kept open too long, close and reopen the door to reactivate the lights.</li></ul>
Hear water bubbling in the refrigerator	<ul style="list-style-type: none"><li>• This is normal. The bubbling comes from the refrigerant coolant liquid circulating through the refrigerator.</li></ul>

# Disposal of the appliance

It is prohibited to dispose of this appliance as household waste.

## Packaging materials

Packaging materials with the recycle symbol are recyclable. Dispose of the packaging into a suitable waste collection container to recycle it.


## Before disposal of the appliance

1. Pull out the mains plug from the mains socket.
2. Cut off the power cord and discard with the mains plug



### Warning

Refrigerators contain refrigerant and gases in the insulation. Refrigerant and gases must be disposed of professionally as they may cause eye injuries or ignition. Ensure that tubing of the refrigerant circuit is not damaged prior to proper disposal.

Correct Disposal of this product	
	<p>This marking indicates that this product should not be disposed of with other household wastes throughout the EU. To prevent possible harm to the environment or human health from uncontrolled waste disposal, recycle it responsibly to promote the sustainable reuse of material resources. To return your used device, please use the return and collection systems or contact the retailer where the product was purchased. They can take this product for environmental safe recycling.</p>

**Hisense**

life reimagined