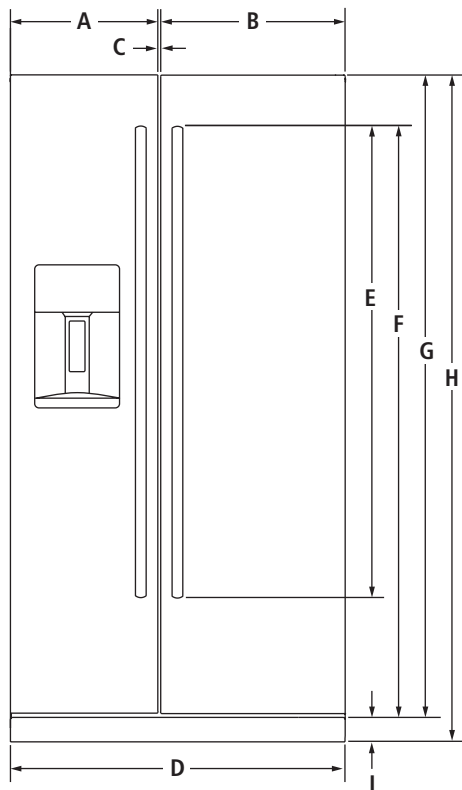


72" COUNTER-DEPTH SIDE-BY-SIDE REFRIGERATOR WITH DISPENSER

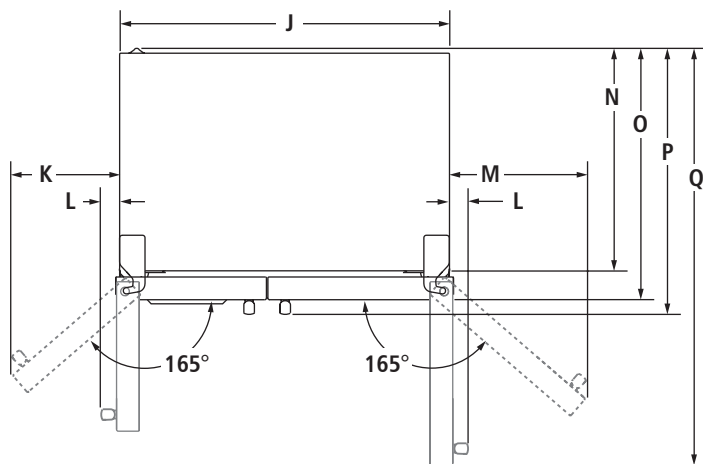
JSC23C9EEM – 35<sup>3</sup>/<sub>4</sub>" x 71<sup>3</sup>/<sub>8</sub>" x 29<sup>1</sup>/<sub>2</sub>" (including handles)

PRODUCT DIMENSIONS



FRONT VIEW

MODEL #		JSC23C9EEM	
		in	cm
<b>A</b>	Width of freezer door	15 <sup>3</sup> / <sub>8</sub>	38.9
<b>B</b>	Width of refrigerator door	20	50.8
<b>C</b>	Space between doors	1/2	1.1
<b>D</b>	Overall width	35 <sup>3</sup> / <sub>4</sub>	90.8
<b>E</b>	Height of handles	50 <sup>1</sup> / <sub>8</sub>	127.2
<b>F</b>	Height to top of handles	62 <sup>1</sup> / <sub>4</sub>	158.0
<b>G</b>	Height of doors	68 <sup>1</sup> / <sub>8</sub>	172.9
<b>H</b>	Height to top of doors	71 <sup>3</sup> / <sub>8</sub>	181.3
<b>I</b>	Height of grille	3 <sup>1</sup> / <sub>4</sub>	8.2
<b>J</b>	Width of recessed refrigerator	35 <sup>1</sup> / <sub>2</sub>	90.0
<b>K</b>	Width from side of refrigerator to freezer handle – door fully open 165°	13 <sup>1</sup> / <sub>2</sub>	34.2
<b>L</b>	Width from side of refrigerator to handle – door open 90°	2 <sup>1</sup> / <sub>8</sub>	5.4
<b>M</b>	Width from side of refrigerator to refrigerator handle – door fully open 165°	18	45.7
<b>N</b>	Depth without doors	24 <sup>1</sup> / <sub>2</sub>	62.0
<b>O</b>	Depth with doors	27 <sup>1</sup> / <sub>2</sub>	69.8
<b>P</b>	Depth with handles	29 <sup>1</sup> / <sub>2</sub>	74.7
<b>Q</b>	Depth with refrigerator door open 90°	45 <sup>7</sup> / <sub>8</sub>	116.4

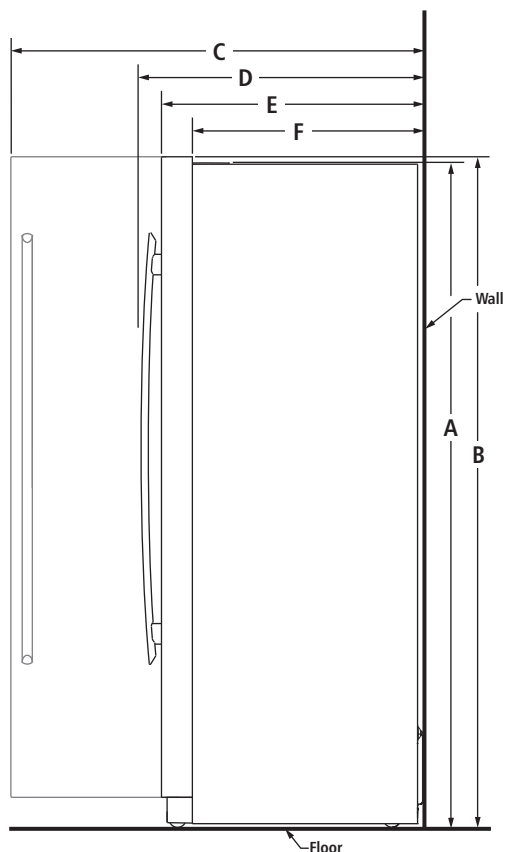


TOP VIEW

72" COUNTER-DEPTH SIDE-BY-SIDE REFRIGERATOR WITH DISPENSER

JSC23C9EEM – 35<sup>3</sup>/<sub>4</sub>" x 71<sup>3</sup>/<sub>8</sub>" x 29<sup>1</sup>/<sub>2</sub>" (including handles)

DIMENSIONS AS INSTALLED



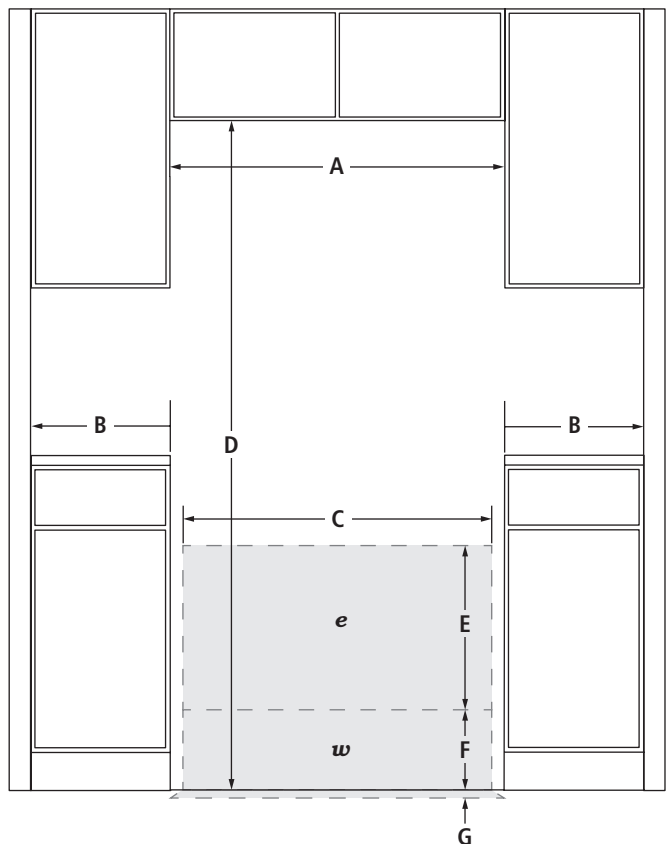
SIDE VIEW

MODEL #		JSC23C9EEM	
		in	cm
<b>A</b>	Height to top of hinges (min.)	71 <sup>1</sup> / <sub>8</sub>	180.8
<b>B</b>	Height to top of doors (min.)	71 <sup>3</sup> / <sub>8</sub>	181.0
<b>C</b>	Depth with refrigerator door open 90° (min.)	45 <sup>7</sup> / <sub>8</sub>	116.4
<b>D</b>	Depth with handles (min.)	29 <sup>1</sup> / <sub>2</sub>	74.7
<b>E</b>	Depth with doors (min.)	27 <sup>1</sup> / <sub>2</sub>	69.8
<b>F</b>	Depth without doors (min.)	24 <sup>1</sup> / <sub>2</sub>	62.0

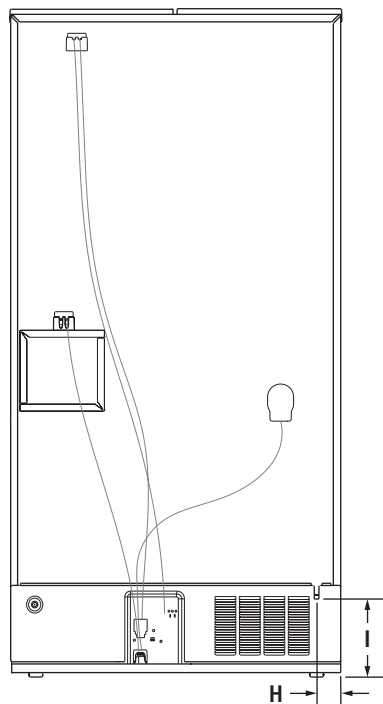
72" COUNTER-DEPTH SIDE-BY-SIDE REFRIGERATOR WITH DISPENSER

JSC23C9EEM – 35¾" x 71⅜" x 29½" (including handles)

OPENING/CLEARANCE DIMENSIONS



FRONT VIEW



BACK VIEW

MODEL #		JSC23C9EEM	
		in	cm
A	Width (min.)	36½	92.7
B	Minimum width from side of refrigerator to fixed wall – freezer door open 165° (full access to remove bins)	13½	34.2
	Minimum width from side of refrigerator to fixed wall – refrigerator door open 165° (full access to remove bins)	18	45.7
C	Width of recommended electrical/water installation area	34	86.4
D	Height (min.)	72	182.9
E	Height of recommended electrical installation area (min.-max.)	10-24	25.4-61.0
F	Height of recommended water installation area	10	25.4
G	Depth of recommended water installation area	1	2.5
H	Water line location – distance from side	2½	6.5
I	Water line location – distance from bottom	7⅞	20.0
e	Recommended electrical connection location		
w	Recommended water connection location		

ELECTRICAL REQUIREMENTS

115 volt, 60 Hz, AC only, 15- or 20-amp fused, grounded circuit is required. A dedicated circuit is recommended. Use an outlet that cannot be turned off by a switch.

Minimum length of power cord is 60" (152.0 cm). Do not use an extension cord.

WATER PRESSURE REQUIREMENTS

A cold water supply with water pressure between 30 and 120 psi (207 and 827 kPa) is required to operate the water dispenser and ice maker. Call a licensed, qualified plumber with any questions about the water pressure.

Reverse Osmosis Water Supply

**IMPORTANT:** The pressure of the water coming out of a reverse osmosis system going to the water inlet valve of the refrigerator needs to be between 30 and 120 psi (207 and 827 kPa).

If a reverse osmosis water filtration system is connected to the cold water supply, the water pressure to the reverse osmosis system needs to be a minimum of 40 to 60 psi (276 to 414 kPa).