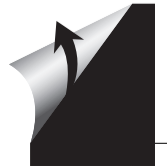
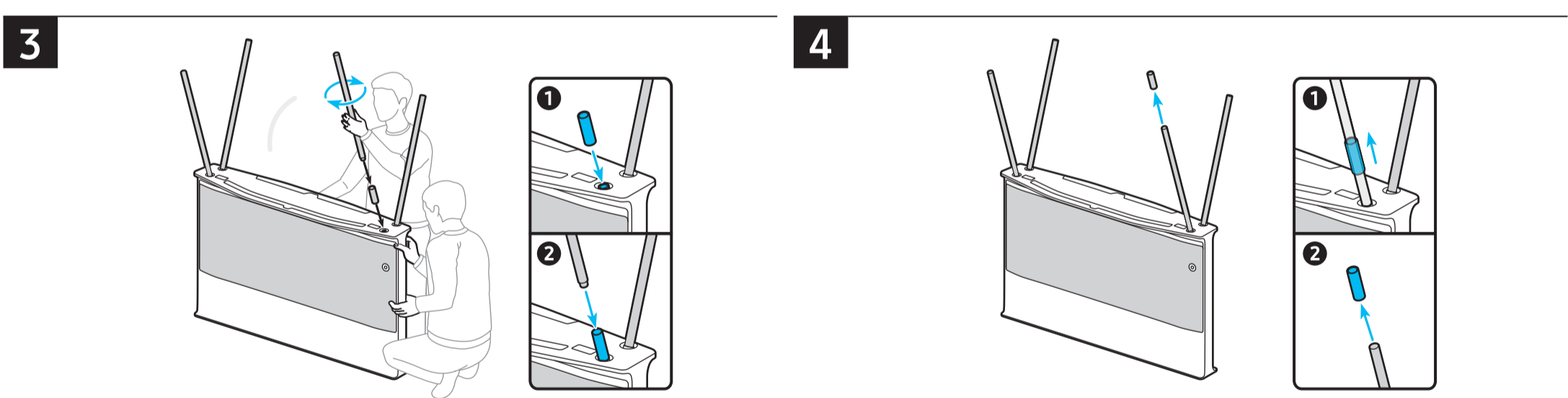
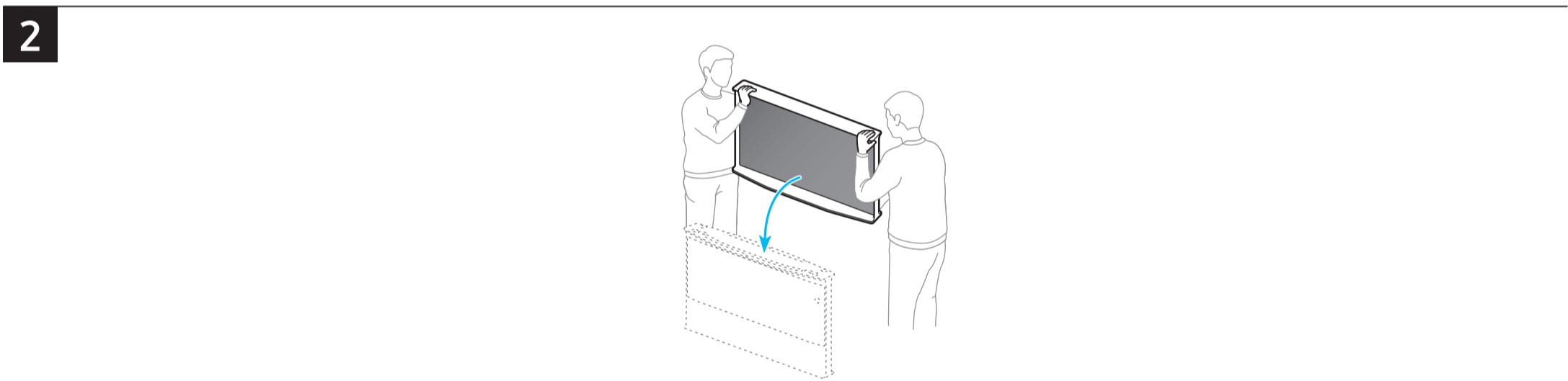
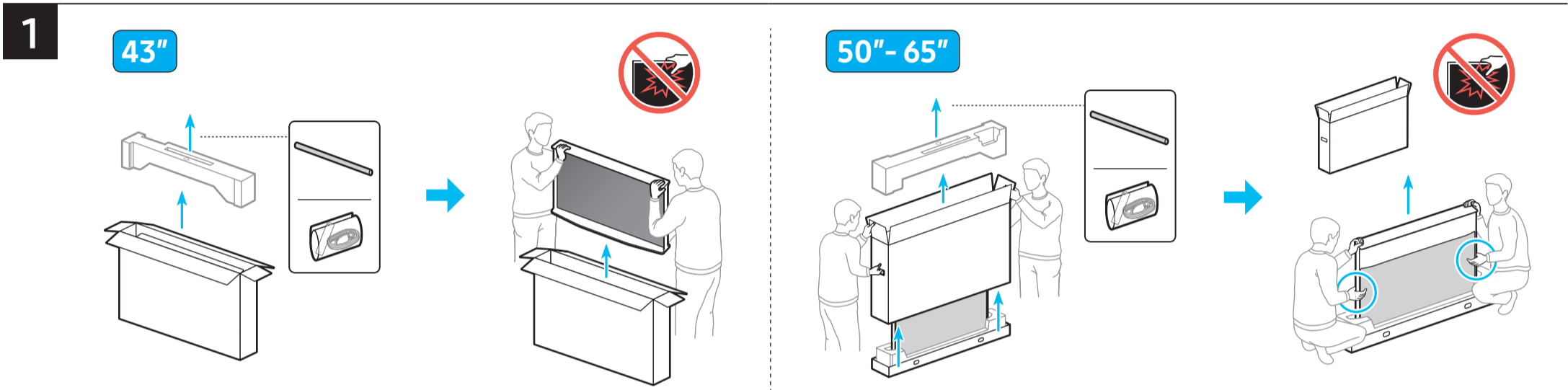
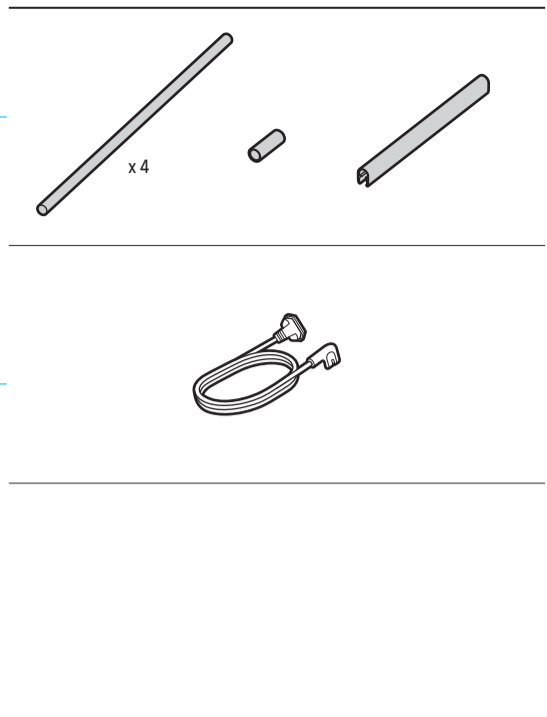
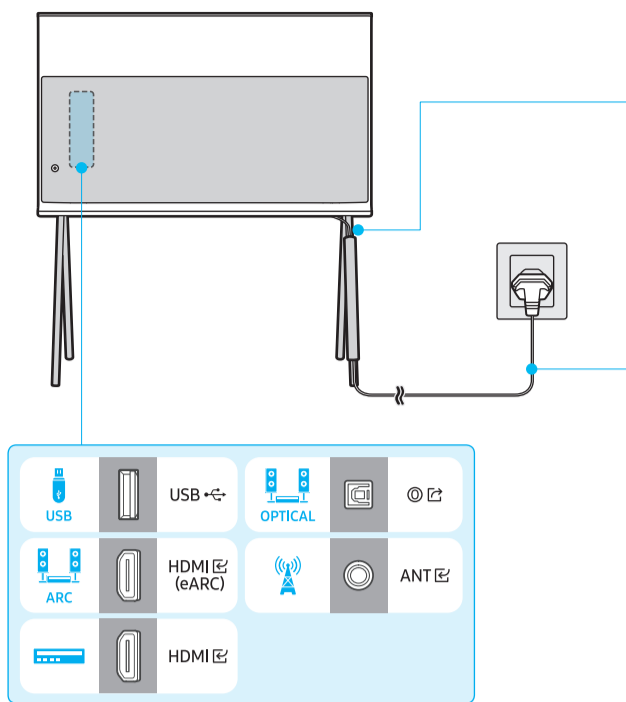


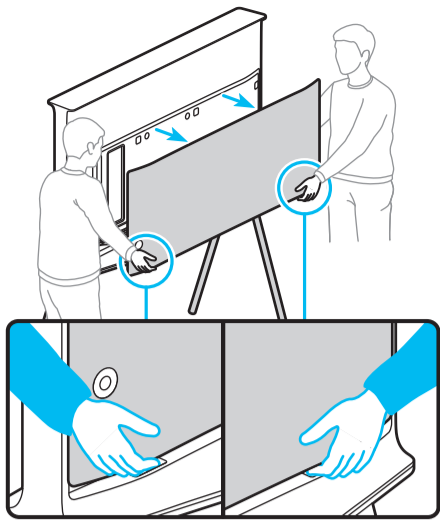
SAMSUNG



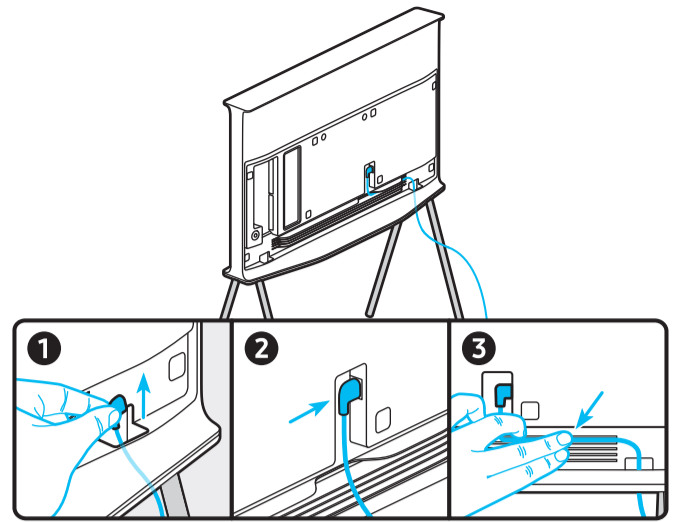
Unpacking and Installation Guide
Guide de déballage et d'installation
Guía de desembalaje e instalación
Manual de desempacotamento e instalação
Auspacken und Installationsanleitung
Guida al disimballaggio e all'installazione
Руководство по распаковке и установке
Қаптамадан шығару және орнату нұсқаулығы
Посібник з розпаковки та встановлення
Qadoqdan chiqarish va o'rnatish qo'llanmasi



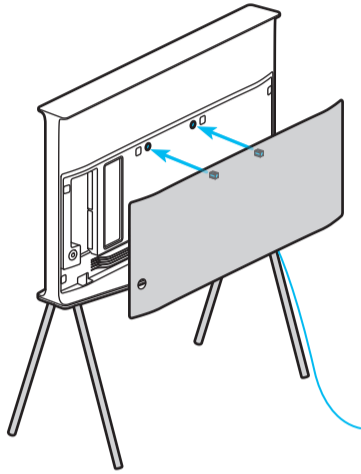
6



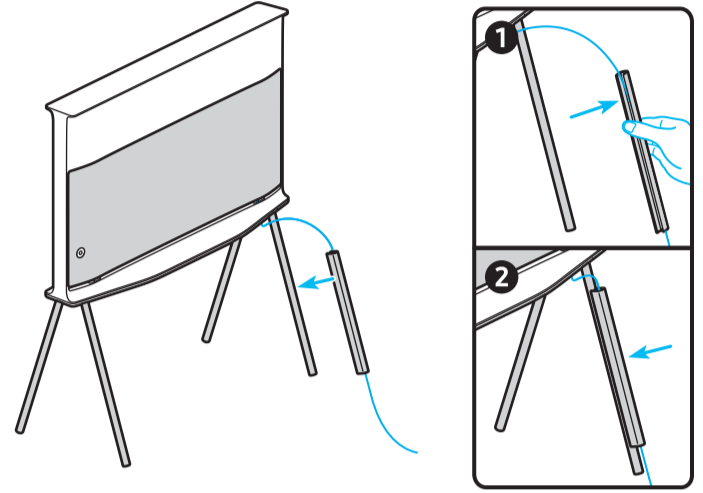
7



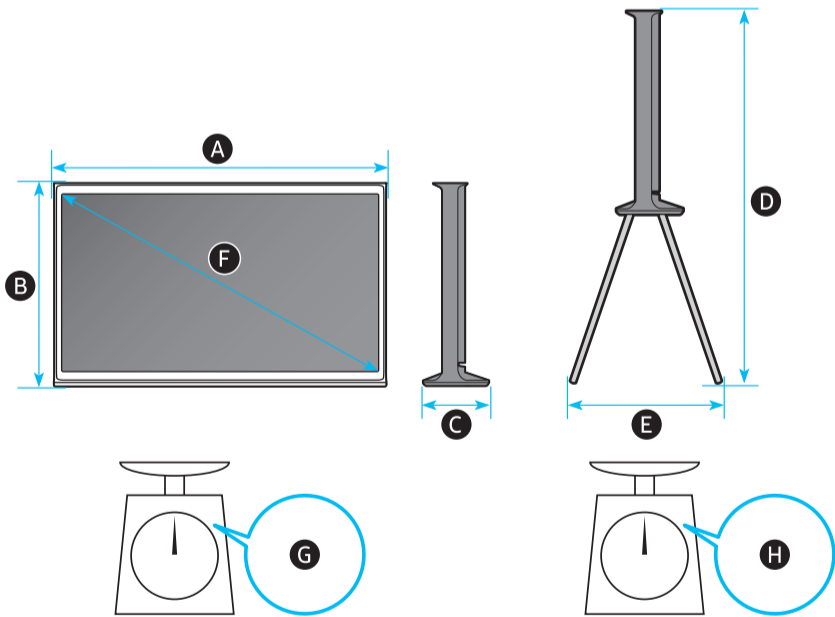
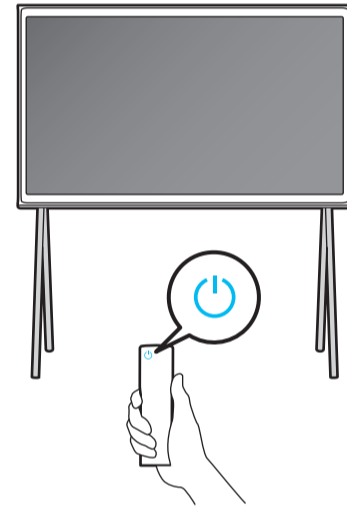
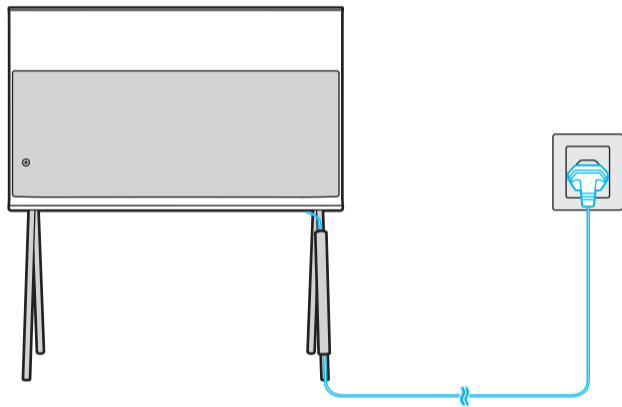
8



9



10



	A	B	C	D	E	F	G	H
GQ43LS01D TQ43LS01D QE43LS01D	38.8 inches (986.3 mm)	23.5 inches (597.3 mm)	7.8 inches (197.0 mm)	40.5 inches (1028.4 mm)	16.4 inches (417.2 mm)	42.5 inches (108 cm)	36.2 lbs (16.4 kg)	38.4 lbs (17.4 kg)
KQ43LSD01 QA43LS01D QN43LS01D	(986,3 mm) (98.63 cm)	(597,3 mm) (59.73 cm)	(197,0 mm) (19.70 cm)	(1028,4 mm) (102.84 cm)	(417,2 mm) (41.72 cm)		36.6 lbs (16.6 kg)	38.8 lbs (17.6 kg)
GQ50LS01D TQ50LS01D QE50LS01D	45.0 inches (1143.2 mm)	27.0 inches (685.4 mm)	8.1 inches (206.5 mm)	46.3 inches (1176.8 mm)	18.7 inches (475.5 mm)	49.5 inches (125 cm)	45.2 lbs (20.5 kg)	47.6 lbs (21.6 kg)
KQ50LSD01 QA50LS01D QN50LS01D	(1143,2 mm) (114.32 cm)	(685,4 mm) (68.54 cm)	(206,5 mm) (20.65 cm)	(1176,8 mm) (117.68 cm)	(475,5 mm) (47.55 cm)		45.9 lbs (20.8 kg)	48.5 lbs (22.0 kg)
GQ55LS01D TQ55LS01D QE55LS01D	49.4 inches (1254.9 mm)	29.5 inches (748.3 mm)	8.7 inches (221.0 mm)	48.7 inches (1237.4 mm)	19.0 inches (482.8 mm)	54.6 inches (138 cm)	57.5 lbs (26.1 kg)	60.0 lbs (27.2 kg)
KQ55LSD01 QA55LS01D QN55LS01D	(1254,9 mm) (125.49 cm)	(748,3 mm) (74.83 cm)	(221,0 mm) (22.10 cm)	(1237,4 mm) (123.74 cm)	(482,8 mm) (48.28 cm)		58.4 lbs (26.5 kg)	60.8 lbs (27.6 kg)
65LS01D 65LSD01	58.2 inches (1479.1 mm)	34.5 inches (875.1 mm)	11.0 inches (280.0 mm)	53.6 inches (1361.2 mm)	19.6 inches (499.0 mm)	64.5 inches (163 cm)	80.7 lbs (36.6 kg)	83.3 lbs (37.8 kg)