

AEG

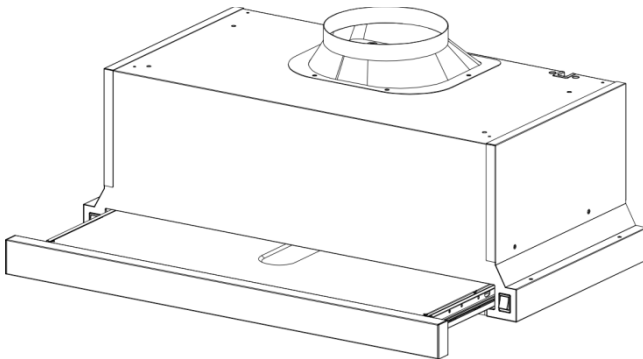
perfekt in form und funktion

Perfekt Glide-24-2

Perfekt Glide-30-2

Perfekt Glide-36-2

Built-in Range Hood Instruction Manual



Thank you for the purchase of this product.
Please read the manual carefully before operating the appliance.

V20220610

Contents

Safety Precautions	2-7
Accessories	8
Features	9
Installation Preparation	9
Selecting Venting Direction	10
Installation Diagrams	11-13
Cabinet Preparation for Hood Support	14-15
Hood Installation	16
Controls	17
Specifications	18-23
Use and Care	24
Trouble Shooting	25-26
Front handle replacement	27
Handle specification	28
Adjusting bracket usage	29
Warranty Information	30

Safety Precautions

READ AND SAVE THESE INSTRUCTIONS

WARNING - to reduce the risk of fire, electrical shock, or injury, read the following:

- Read all instructions before using the appliance
- Use of this appliance is only for its intended purpose as described in this manual
- Do not use any accessories that are not recommended by the manufacturer
- This unit must be grounded
- Do not use this appliance for commercial use
- Do not use with any solid-state speed control device
- Installation work and electrical wiring must be done by qualified technicians in accordance with all applicable regulations, codes & standards, including fire rated construction.
- Sufficient air is needed for proper exhausting of gases of fuel burning equipment to prevent backdraft. Follow the manufacturers guidelines and safety standards.
- When replacing an existing range hood with your new AEG range hood, turn OFF the electrical power to the existing unit before removal.
- Unplug the unit before cleaning or servicing
- Do not attempt to repair or replace any parts without first calling for service. **Note:** If for any reason this product requires service, please contact Euro-Parts 1-800-561-4614
- Be careful not to damage existing electrical wiring and/or any other hidden utilities when cutting or drilling into the wall or ceiling.

WARNING to reduce risk of cooktop grease fires:

- Never leave cooking unattended at high temperatures. Boil overs can cause smoke and grease/ oil spillovers may ignite.
- Use pans of the same size as the elements/ burners are suitable for the amount of food being cooked.
- Always turn the hood OFF when cooking at high temperatures and with high flame foods. E.g., crepe suzettes, cherry jubilees and flambés
- Clean ventilation fans frequently. Do not allow grease to accumulate on the fan or filters
- Heat oils and fats slowly on low or medium settings

WARNING – to reduce the risk of personal injury in the event of a cooktop fire:

- Smother flames with a close-fitting lid, metal tray or metal baking sheet. Turn the burner OFF. Avoid burning yourself. Call the fire department if the flames do not extinguish immediately and evacuate the area.
- Never pick up a flaming pan. Leave it on the cooking surface.
- Never use water or wet dish cloths or towels to extinguish a fire. A violent steam explosion may occur.
- Use a fire extinguisher only if
 - you have a Class ABC and you know how to use it.
 - The fire is small and contained
 - The fire dept has been called
 - You have an exit, use the extinguisher with your back to an exit.

CAUTION!

Important to observe all governing codes and ordinances.

- Use for general ventilation only. Never use this appliance to exhaust hazardous or explosive materials and vapors.
- Use only metal ductwork to reduce the risk of fire.
- Avoid damage to the motor or other components, keep drywall spray, construction dust clear of the power unit.
- Read the specification label on the product for further information and requirements.
- Exhaust air from the rangehood into the room to reduce the risk of fire. Do not vent the exhausted air into the space between the wall or ceiling, into the attic, crawl space or garage.

CAUTION!

Grounding Instructions

- This appliance must be grounded. In case of an electrical short circuit, grounding reduces the risk of an electrical shock by providing an escape wire for the electrical current. This appliance has a cord that has a grounding wire with a grounding plug. The plug must be plugged into a properly installed and grounded outlet.
- Improper grounding can result in electrical shock. Consult a qualified electrician when the grounding instructions are unclear or not understandable or when there is doubt that the appliance is correctly grounded.
- Never use an extension cord. When the power cord is too short have a qualified electrician install an outlet near the appliance.
- Never operate any hood with a damaged cord or plug. Discard or return to an authorized service facility for examination and or repair.
- Never run a cord under carpeting or cover with rugs or similar coverings. Do not route the cord under furniture or appliances.

CAUTION

- Ensure adequate ventilation when the rangehood is used at the same time as appliances burning gas or other fuels (not applicable to appliances that only discharge air back into the room).
- There is a risk of fire if regular cleaning is not done in accordance with the instructions.
- Never flambe under the rangehood
- CAUTION Accessible parts may become hot when used with cooking appliances.
- Air must not be discharged into a flue that is used for exhausting fumes from appliances burning gas or other fuels (not applicable to appliances that only discharge air back into the room).
- This appliance is not intended for use by persons with reduced physical, sensory or mental capabilities or lack of experience and knowledge unless they have been given supervision or instruction concerning use of the appliance by a person responsible for their safety. Always supervise children. Never let children play with the appliance.

Précautions de sécurité

Lire et enregistrer ces instructions

AVERTISSEMENT - Réduire le risque d'incendie, de choc électrique ou de blessure, lisez ce qui suit:

- Lisez toutes les instructions avant d'utiliser l'apppliance.
- L'utilisation de cet appareil n'est que pour son objectif destiné comme décrit dans ce manuel.
- N'utilisez aucun accessoire qui ne sont pas recommandés par le fabricant.
- Cette unité doit être mise à la terre.
- N'utilisez pas cet appareil pour une utilisation commerciale.
- N'utilisez pas avec aucun dispositif de contrôle de vitesse d'état solide.
- Les travaux d'installation et le câblage électrique doivent être effectués par des techniciens qualifiés conformément à toutes les réglementations, codes & normes applicables, y compris la construction nominale des incendies.
- Un air suffisant est nécessaire pour un bon épuisement des gaz d'équipement de combustible pour empêcher la médaille de fond. Suivez les lignes directrices et les normes de sécurité des fabricants.
- Lorsque vous remplacez une hotte de plage existante avec votre nouveau hotte de gamme AEG, éteignez l'alimentation électrique sur l'unité existante avant de vous enlever.
- Débranchez l'appareil avant de nettoyer ou d'entretenir.
- N'essayez pas de réparer ou de remplacer les pièces sans d'abord appeler le service. **Remarque:** Si pour une raison quelconque, ce produit nécessite un service, veuillez contacter Euro-Parts 1-800-561-4614.
- Soyez prudent de ne pas endommager le câblage électrique existant et / ou tout autre utilité caché lors de la coupe ou du forage dans le mur ou le plafond.

Avertissement - Réduire le risque de feux de graisse de la table de cuisson:

- Ne laissez jamais la cuisson sans surveillance à des températures élevées. Bull Outd Peut causer la fumée et la graisse / les déversements d'huile peuvent s'enflammer.
- Utilisez des casseroles de la même taille que les éléments / brûleurs conviennent à la quantité de nourriture cuit.
- Tournez toujours la cagoule lors de la cuisson à des températures élevées et avec des aliments à flamme élevés. E.G., crêpe suzettes, jubiles cerisiers et flambés.
- Nettoyer fréquemment les ventilateurs de ventilation. Ne laissez pas la graisse s'accumuler sur le ventilateur ou les filtres.
- Huiles de chauffage et graisses lentement sur les réglages faibles ou moyens.

AVERTISSEMENT - Réduire le risque de blessure corporelle en cas de tir à la table de cuisson:

- Smother flames with a close-fitting lid, metal tray or metal baking sheet. Turn the burner OFF. Avoid burning yourself. Call the fire department if the flames do not extinguish immediately and evacuate the area.
- Ne jamais prendre une casserole flamboyante. Laissez-le sur la surface de cuisson.
- N'utilisez jamais d'eau ni de vaisselle mouillée ni de serviettes pour éteindre un feu. Une violente explosion de vapeur peut survenir.
- Utilisez un extincteur uniquement si
 - Vous avez une classe ABC et vous savez comment l'utiliser.
 - Le feu est petit et contenu.
 - Le département de feu a été appelé.
 - Vous avez une sortie, utilisez l'extincteur avec votre dos à une sortie.

MISE EN GARDE!

Important d'observer tous les codes et ordonnances de gouvernement.

- Utilisation pour la ventilation générale seulement. N'utilisez jamais cet appareil pour échapper à des matériaux et vapeurs dangereux ou explosifs.
- Utilisez uniquement des gaines métalliques pour réduire le risque d'incendie.
- Évitez les dommages causés au moteur ou à d'autres composants, gardez le spray de cloison sèche, la poussière de construction dégagée de l'unité d'alimentation.
- Lisez l'étiquette de spécification sur le produit pour plus d'informations et à des exigences.
- Échapper à l'air de la plurance dans la salle pour réduire le risque d'incendie. N'engagez pas l'air épuisé dans l'espace entre le mur ou le plafond, dans le grenier, l'espace sanitaire ou le garage.

MISE EN GARDE!

Mise à la terre - Instructions

- Cet appareil doit être mis à la terre. En cas de court-circuit électrique, la mise à la terre réduit le risque d'un choc électrique en fournissant un fil d'évacuation pour le courant électrique. Cet appareil a un cordon qui a un fil de terre avec une fiche de mise à la terre. La fiche doit être branchée dans une prise correctement installée et mise à la terre.
- La mise à la terre inappropriée peut entraîner un choc électrique. Consultez un électricien qualifié lorsque les instructions de mise à la terre ne sont pas claires ou non compréhensibles ou en cas de doute que l'appareil est correctement mis à la terre.
- N'utilisez jamais de rallonge. Lorsque le cordon d'alimentation est trop court, un électricien qualifié installe une prise près de l'appareil.
- N'utilisez jamais de capot avec un cordon endommagé ou une fiche. Jeter ou revenir à une installation de service autorisée pour examen et / ou réparation.
- Ne courez jamais un cordon sous la moquette ou la couverture avec des tapis ou des revêtements similaires. Ne pas parcourir le cordon sous des meubles ou des appareils.

MISE EN GARDE

- Assurer une ventilation adéquate lorsque la plage est utilisée en même temps que les appareils brûlants du gaz ou d'autres combustibles (non applicables aux appareils qui ne renvoient que de l'air dans la pièce).
- Il y a un risque d'incendie si le nettoyage régulier n'est pas effectué conformément aux instructions.
- Ne jamais flamber sous la randonnée.
- ATTENTION Les pièces accessibles peuvent devenir chaudes lorsqu'elles sont utilisées avec des appareils de cuisson.
- L'air ne doit pas être déchargé dans une conduite de combustion utilisée pour épuisser les fumées d'appareils brûlant du gaz ou d'autres combustibles (non applicable aux appareils qui ne renvoient que de l'air dans la pièce).
- Cet appareil n'est pas destiné à être utilisé par des personnes ayant des capacités physiques, sensorielles ou mentales réduites ou un manque d'expérience et de connaissances à moins d'avoir reçu une surveillance ou une instruction concernant l'utilisation de l'appareil par une personne responsable de leur sécurité. Toujours superviser les enfants. Ne laissez jamais les enfants jouer avec l'appareil.

Accessories

Range hood accessories provided:

- 1 x Range hood
- 4 x ST4 16mm
- 4 x ST4 35mm
- 4 x M5Φ5mm Washers
- 2 x M4 screws
- 2 x Filters
- 1x User manual
- 1x Ducting outlet
- 1x adjusting bracket

Check to make sure that all parts and accessories are present and in good condition. If you find any in poor condition or any parts are missing please contact Euro-Parts for assistance 1-800-561-4614

Features

- o This appliance is manufactured from top quality materials, and offers superb, streamlined effects.
- o With high suction power and low noise, it is designed to remove cooking fumes from your kitchen quietly and effectively.

Installation Preparation

Note: this procedure requires 2 people for easier installation

General Preparation

- o Remove range hood from packaging and lay upside down on a table covered with cardboard or paper to prevent scratching of the hood or table.
- o Check the power switch is set to OFF

Tools needed for installation:

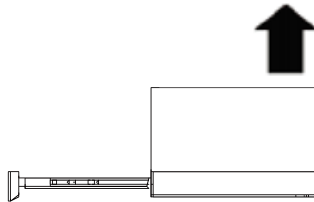
- o Drill
- o 1/8" drill bit for pilot holes
- o 1-1/4" wood bit or drilling electrical wiring access hole
- o Phillips head screwdriver
- o Flat-head screwdriver
- o Pliers
- o Pencil, ruler, and level for marking range hood location
- o Hand saw or jig saw for cutting the wall or cabinet openings
- o Duct Tape
- o Electrical tape
- o Connector clamp

Selecting the Venting Direction

The rangehood is set up for vertical discharge.
This is the most common method of hood installation.

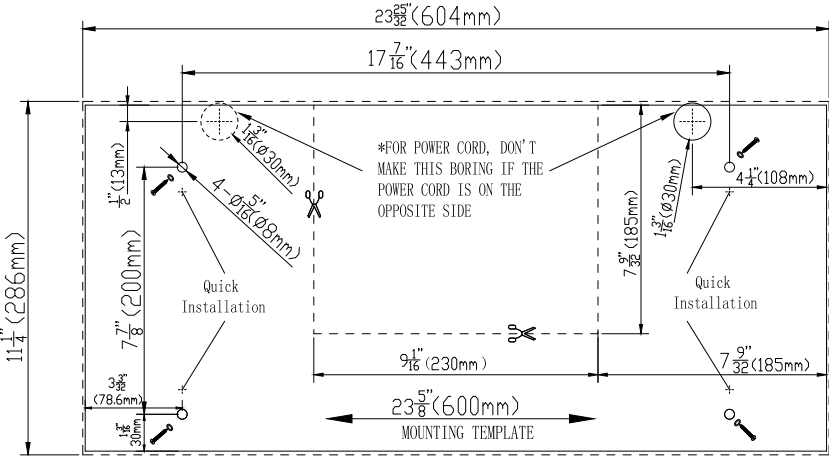
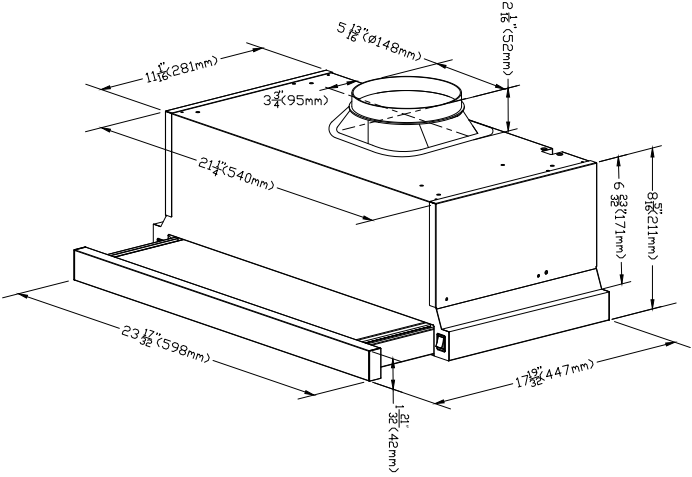
Option 1. If your kitchen has an attic space above, the ducting may be run through the cupboard and the attic to a roof cap. Use a 6inch round duct (not included).

Option 2. If your kitchen has a soffit above the cabinet, the ducting may be run up into the soffit and then through the outside wall to a wall cap.



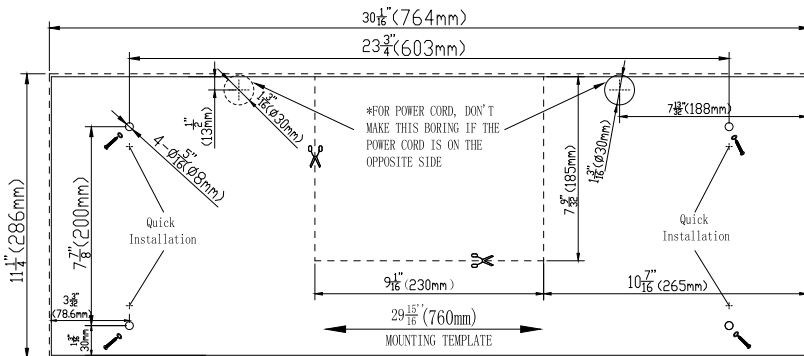
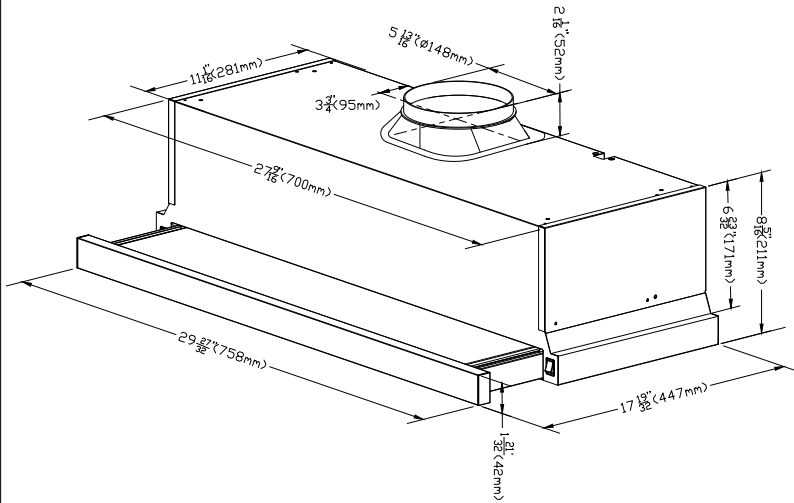
Installation diagram for External Venting

Perfekt Glide-24 -2



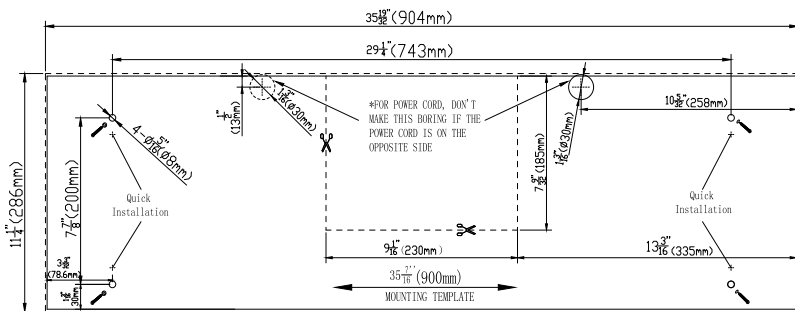
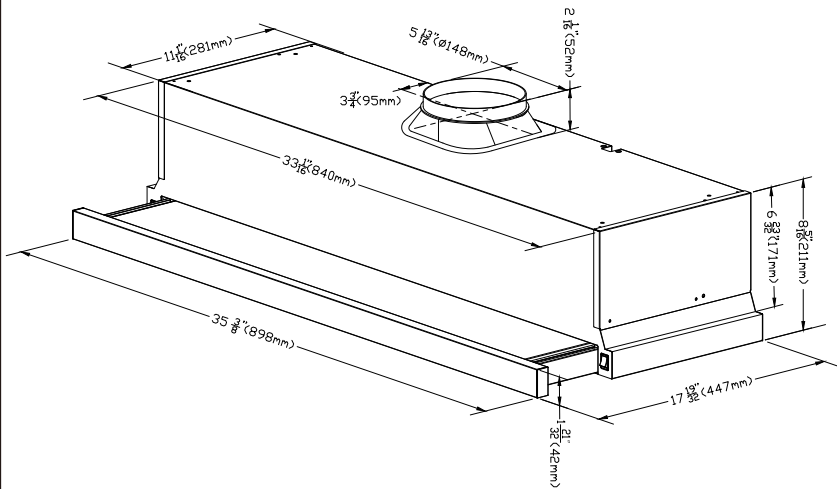
Installation diagram for External Venting

Perfekt Glide-30-2



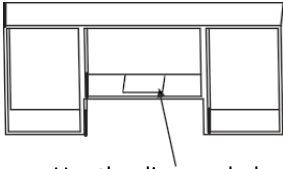
Installation diagram for External Venting

Perfekt Glide-36-2



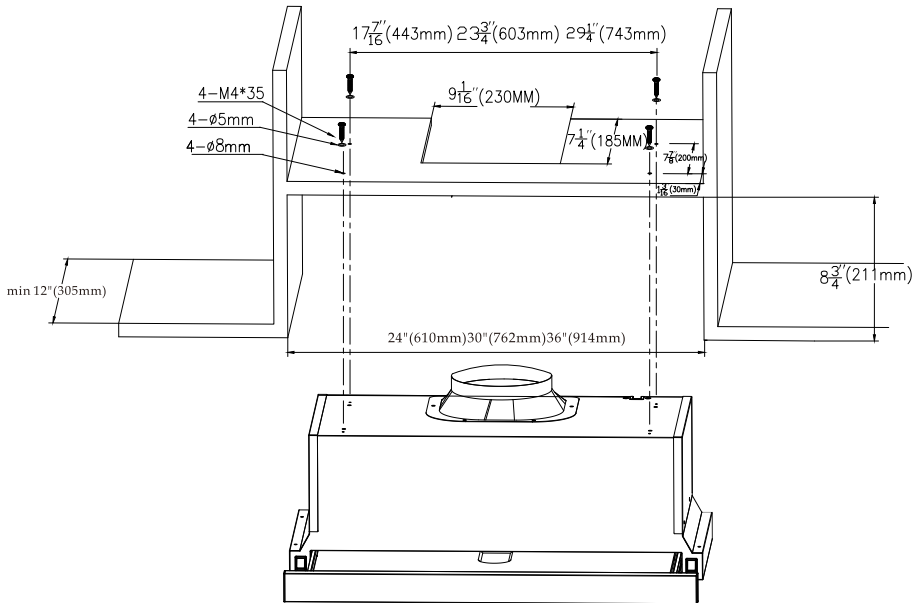
Cabinet Preparation for Hood Support

The range hood should be mounted at a minimum distance of 24" from an electric or induction cooktop, and a minimum distance of 30" above a gas cooktop for safety and optimum performance



To install the hood with a duct, you will need to provide a hole for the duct. Please use the template provided to correctly place the hole.

Use the diagram below for correct placement of ductwork and electrical cutout in cabinets.



WARNING: TO REDUCE THE RISK OF FIRE, USE ONLY METAL DUCTWORK AND DUCT CONNECTION DEVICES.

Warning!

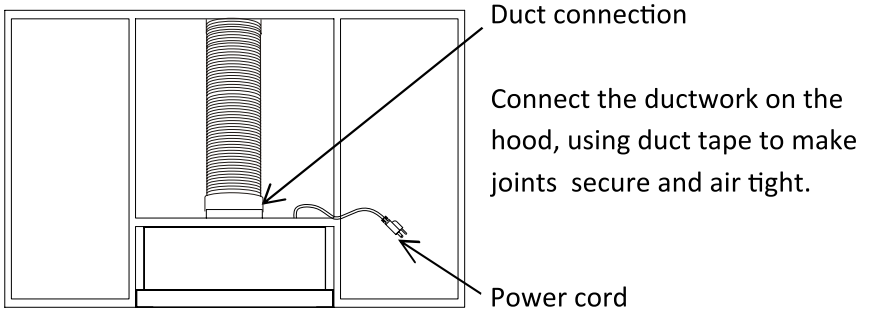
When cutting or drilling into walls or cabinets be careful not to cut existing electrical wiring.

1. Recessed cabinet bottom: Install wood strips on each side of the recessed area on the bottom of the cabinet where the rangehood will be mounted. Align the wood strips with the 4 keyhole slots on the top of the rangehood. Fasten the wood strips with wood screws about 3" in from each end.

Note: the wood strips thickness should be slightly more than the recessed dimension. Cut the length to size.

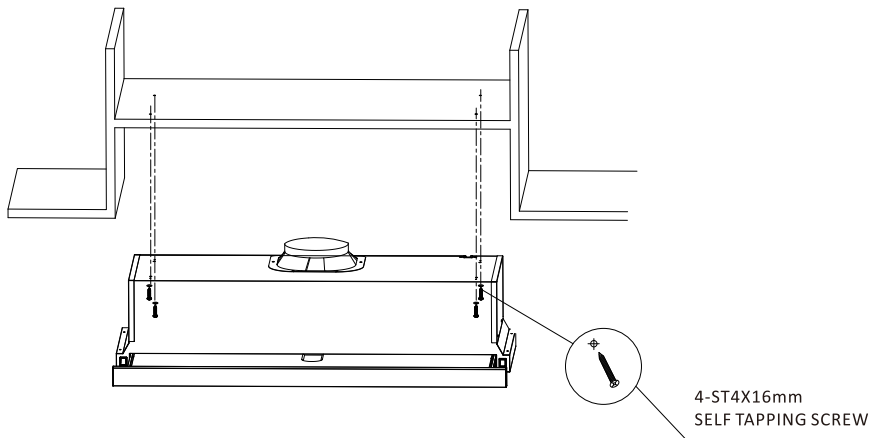
2. Measure and mark the electrical wiring opening on the wall or cabinet. For vented hoods mark and measure the duct opening on the wall or cabinet.

Hood Installation



Your new range hood will operate at the highest efficiency if the number of elbows and the length of the duct are kept to a max of 15ft. (Note 1 x elbow=4ft)

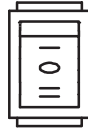
Quick Installation Method



Controls



lamp switch



motor switch

- When you pull out the slide the hood will turn on.
- The light switch is located on the left side of the hood.
- The fan switch is located on the right side of the hood.
- The fan has 2 settings: Low speed and High speed.

Specifications

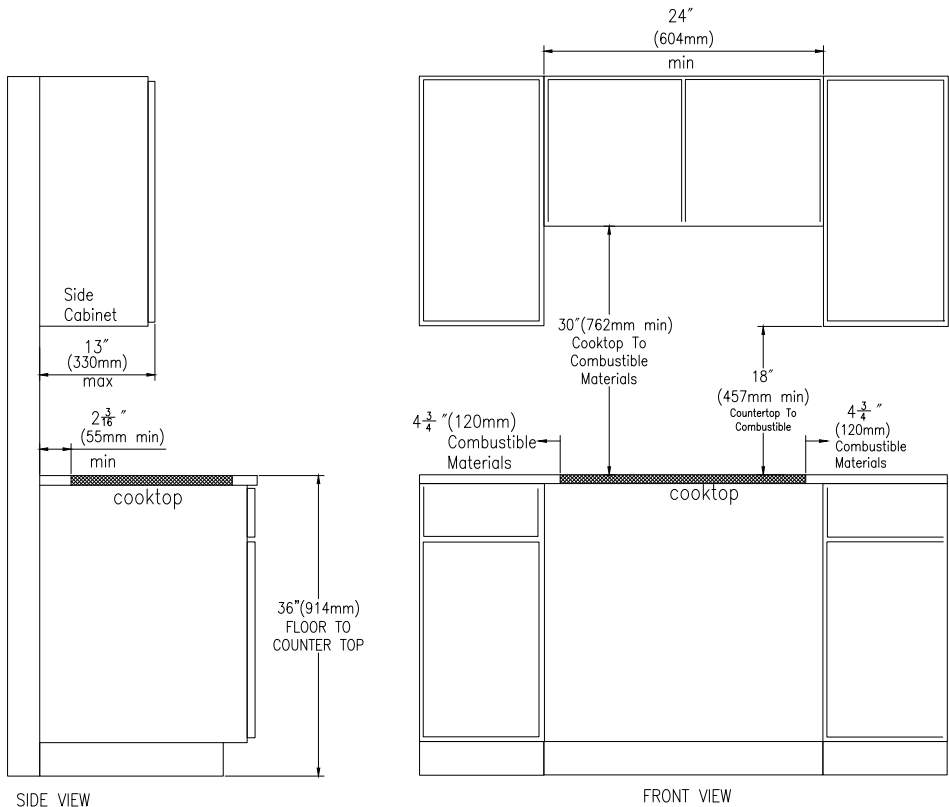
Perfekt Glide-24-2, Perfekt Glide-30-2, Perfekt Glide-36-2

Power Supply	110-120V~,60Hz
Rated Input Power	132W
Lighting Power	2x1W
Motor Power	130W

Specifications

Perfekt Glide-24-2

RECOMMENDED CABINET MINIMUM CLEARANCE (GAS COOKING SURFACE)

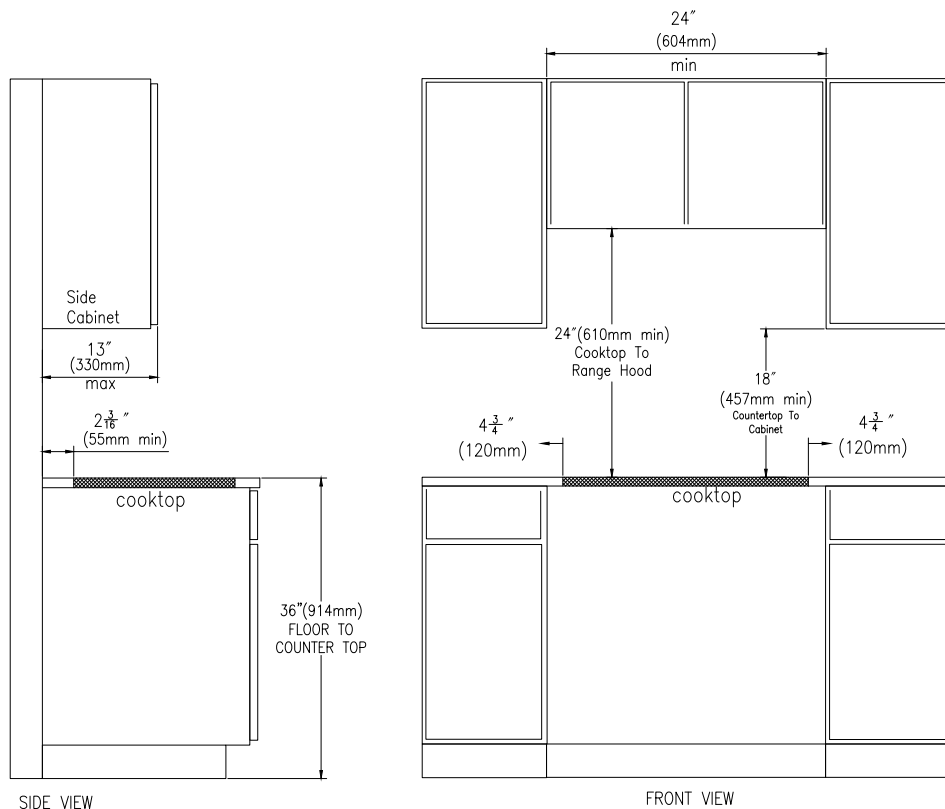


*** Follow local building codes for clearance requirements. ***

Specifications

Perfekt Glide-24-2

RECOMMENDED CABINET MINIMUM CLEARANCE (ELECTRIC/INDUCTION COOKING SURFACE)

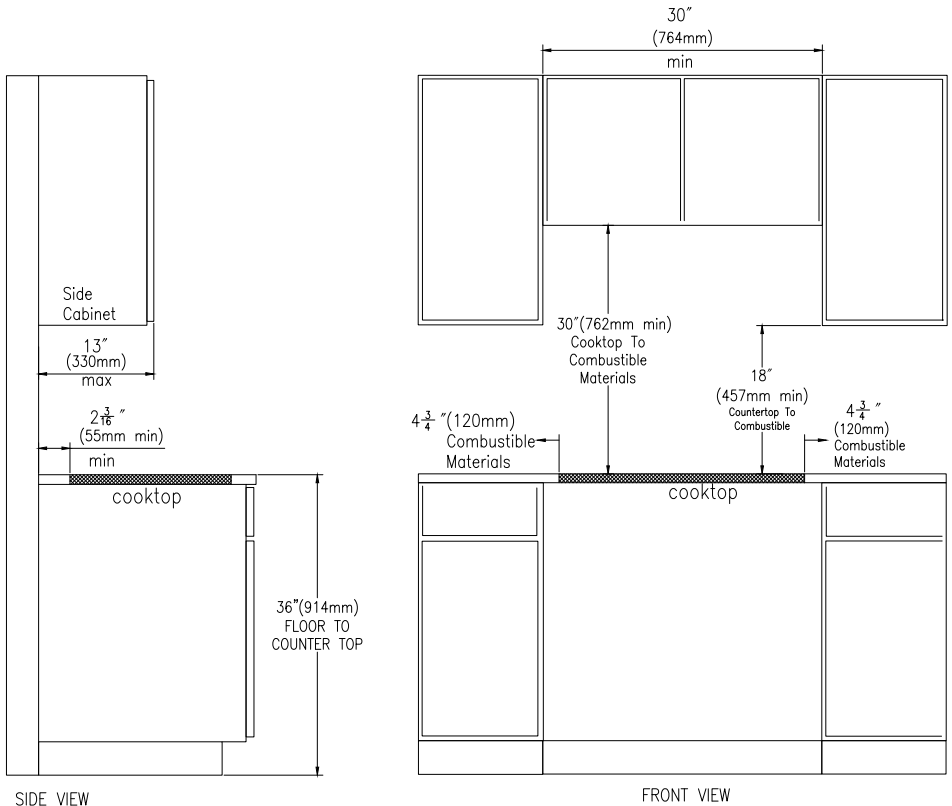


*** Follow local building codes for clearance requirements. ***

Specifications

Perfekt Glide-30-2

RECOMMENDED CABINET MINIMUM CLEARANCE (GAS COOKING SURFACE)

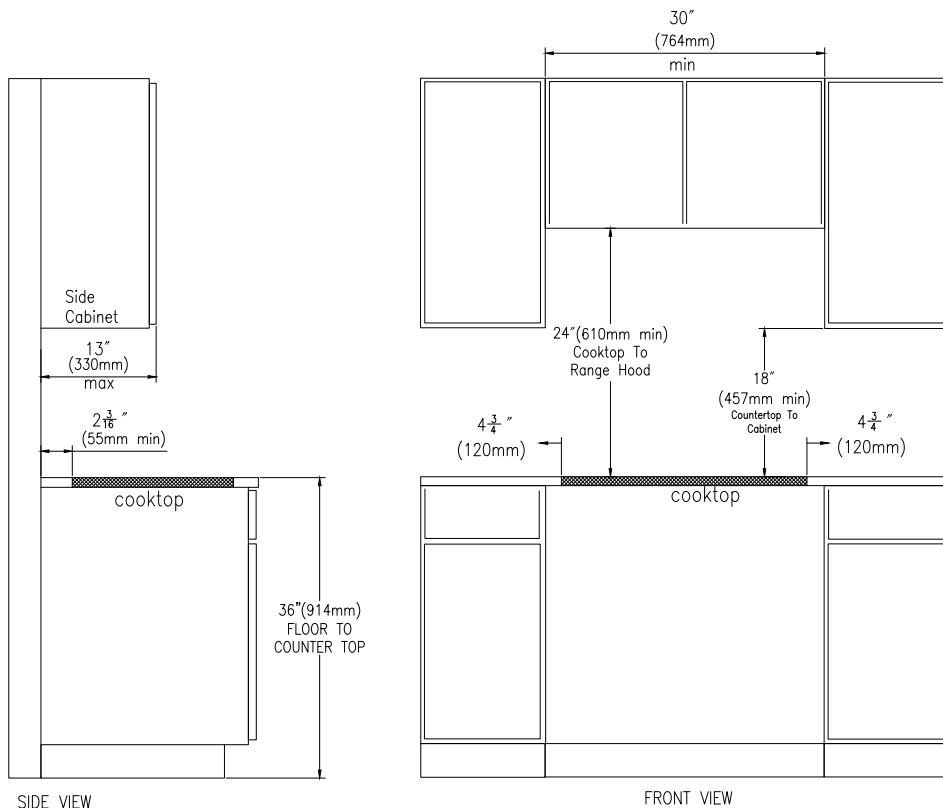


* Follow local building codes for clearance requirements.*

Specifications

Perfekt Glide-30-2

RECOMMENDED CABINET MINIMUM CLEARANCE (ELECTRIC/INDUCTION COOKING SURFACE)

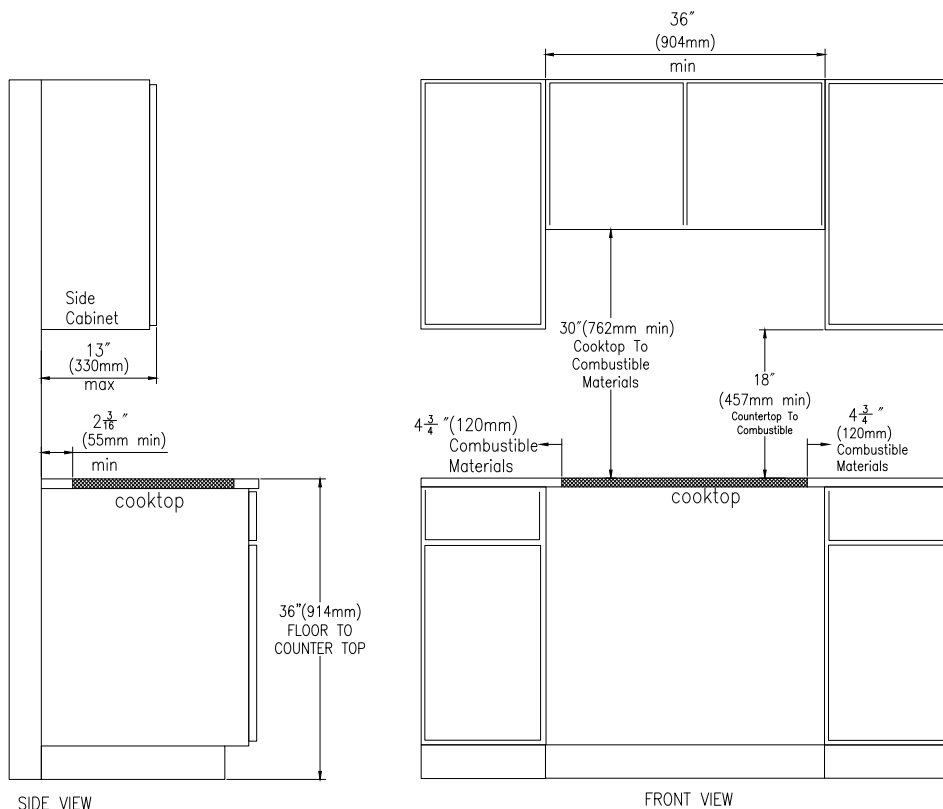


*** Follow local building codes for clearance requirements.***

Specifications

Perfekt Glide-36-2

RECOMMENDED CABINET MINIMUM CLEARANCE (GAS COOKING SURFACE)

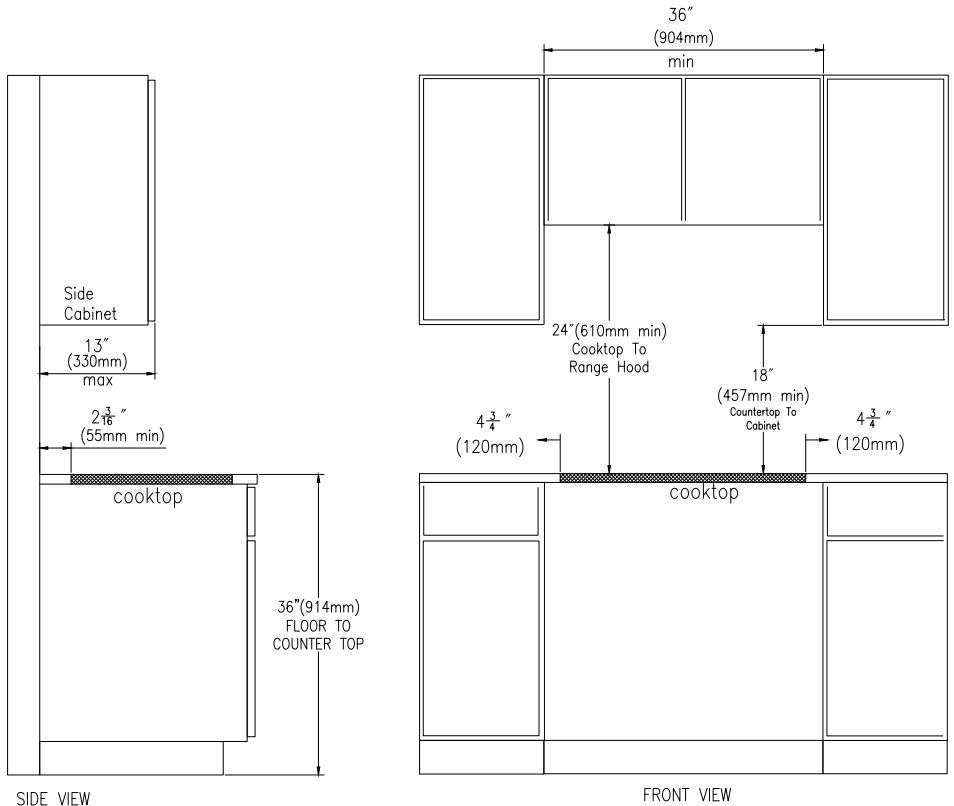


*** Follow local building codes for clearance requirements.***

Specifications

Perfekt Glide-36-2

RECOMMENDED CABINET MINIMUM CLEARANCE (ELECTRIC/INDUCTION COOKING SURFACE)



*** Follow local building codes for clearance requirements.***

Use and Care

Filter

For highest efficiency, the metal filter should be removed and cleaned once a month.

Soak the filter in hot water with a mild soap or detergent. Rinse thoroughly and repeat if necessary. The filter is also dishwasher safe. Heavy grease buildup may not be cleaned easily, therefore the filter may need to be replaced.

Light Bulb

This model requires 2 x 1W LED light bulbs, available from Euro-parts 1-800-561-4614

Exterior surface

Do NOT use abrasive materials such as steel wool pads or scouring pads.

Wipe the rangehood exterior with a soft cloth and a mild detergent suitable for painted surfaces.

Repairs or Replacement Parts

Warning! Disconnect the range hood from the electrical power supply before servicing.

All parts may be obtained from Euro-Parts 1-800-561-4614

When ordering parts, please specify the range hood model number located on the rating label, which can be found on the inside of the range hood.

Trouble Shooting

When any problems occur, unplug the hood from the electrical outlet and contact Euro-Parts or an authorized servicer in order to avoid an accident.

Fan does not turn on (but light turns on).

This is probably due to either a defective fan switch or a burned-out fan motor. Both can be replaced without removing the range hood from the wall or cabinet. Use an OHM meter to determine which component is not working. If the OHM meter reads that the fan switch has 0 x OHM of resistance, then it is the motor that needs to be replaced. If it reads anything other than zero, then the switch must be replaced.

Please contact Euro-Parts or an authorized servicer to fix this problem.

Light does not turn on (but fan turns on).

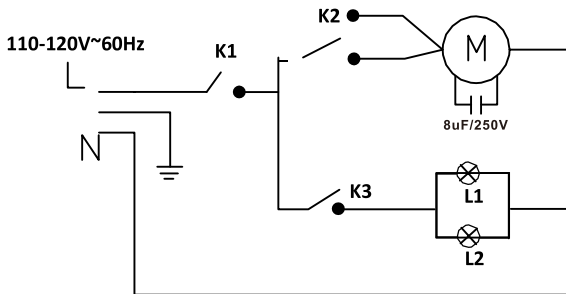
This could be because the bulb has burned out. Try replacing the light bulb. If the light still does not work, either the light switch or the lamp-holder socket could be defective. Both can be replaced without having to remove the range from the wall or cabinet.

Rangehood does not turn on.

Check for a tripped circuit breaker or a blown fuse.

Note: All work must be done by a qualified licensed technician.

Rating label



Protection Thermique
L1 L2-Lamp M-Motor
K2-Motor Switch

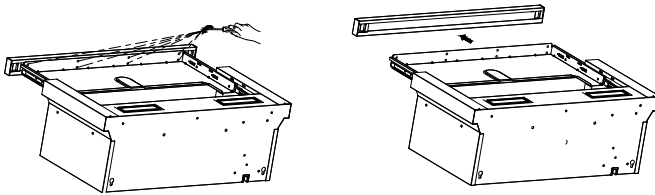
Thermally Protected
K1-Mains Power Switch
K3-Lamp Switch

Front Handle Replacement

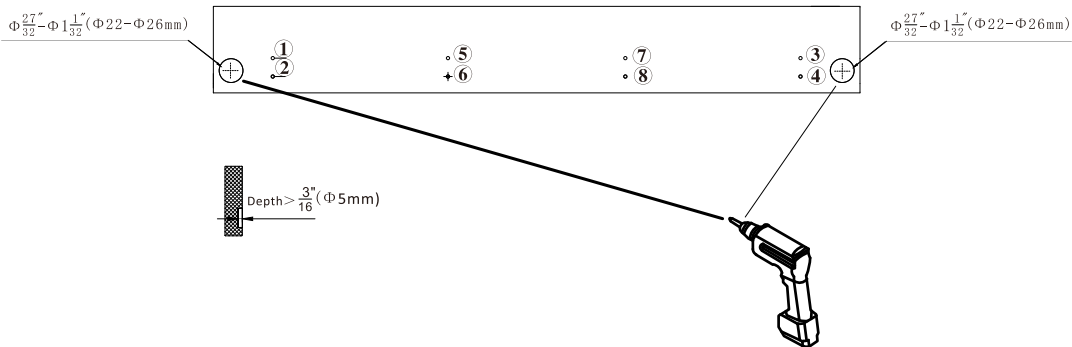
The front stainless steel (SS) handle can be removed and replaced with your own handle as follows.

1. Unscrew the 8 screws holding the SS handle in place as picture 1.
2. Bore 2 holes in each underside of the handle as shown. This will stop your handle hitting the switches.
3. Place your handle onto the frame and screw into place. Ensure the order of tightening the screws is as per picture 2.

Picture 1



Picture 2

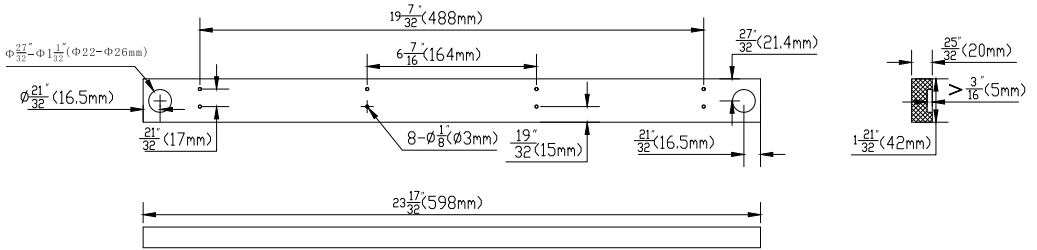


CAUTION!

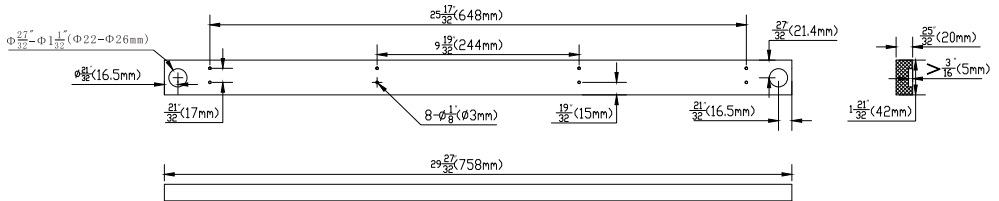
Do not pick up the unit from the side handles to reduce twisting and misalignment.

Handle Specification

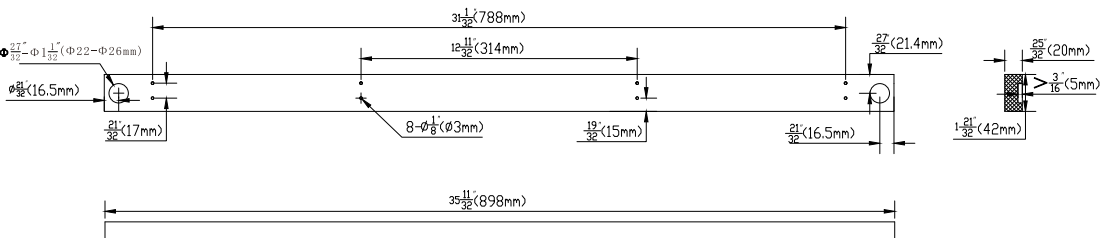
Perfekt Glide-24-2



Perfekt Glide-30-2



Perfekt Glide-36-2

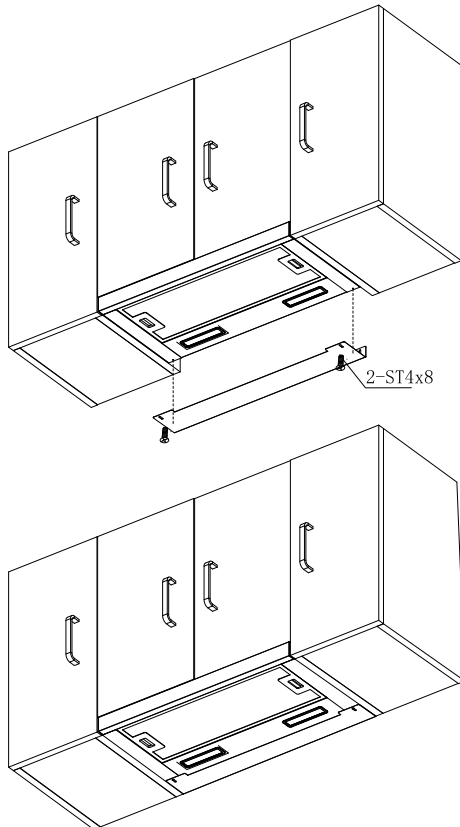


Adjusting bracket usage

If there is a gap between the back of the hood and the wall after the hood is installed, it can be covered at the rear with the adjusting bracket.

There are 2 sides to the bracket, the short side accommodates a 12" depth cabinet and the long side accommodates a 15" depth cabinet. Install the bracket on the hood with two ST4*8 screws.

Note: If the bracket covers the filter a little or leaves a small gap in the rear, it can be adjusted to the perfect position by using the slotted mounting holes.



Warranty

All AEG Appliances are backed by a comprehensive 2-year part and labour warranty. Information on service and parts is available from Euro-Parts at 1-800-561-4614

**For more information visit www.euro-parts.ca
or Contact:service@euro-parts.ca**

AEG Appliances are imported and distributed in North America by Euro-Line Appliances Inc.

For more information visit www.ela.ca
or contact:

EURO-LINE APPLIANCES INC.

871 Cranberry Court,
Oakville, Ontario. L6L 6J7
Canada
Tel 905-829.3980
1-800-421-6332 – Euro-Line Appliances Inc.
1-855-ELA-WEST – Euro-Line Appliances West

AEG
perfekt in form und funktion