

# PERFEKT-GLIDE-36-2

## 36" Fully-Integrated Glide-Out Range Hood

AEG



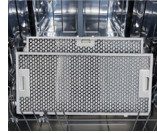
### Under Cabinet Glide Out

This hood extends to give a greater attachment and extraction area. When not in use the glide out filter can be retracted for a flush finish.



### LED Lighting

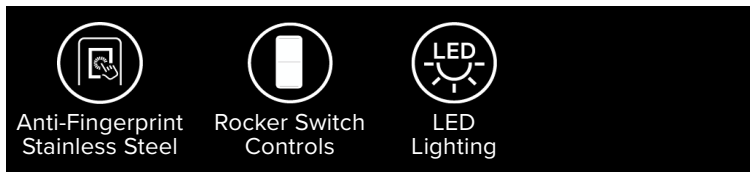
These energy efficient LED lights give you excellent visibility on the cooking process.



### Dishwasher Safe Filters

The long life honeycomb filters can be washed safely in the dishwasher, making cleaning your filters simple.

## KEY FEATURES



## RANGE HOOD FUNCTIONS



### Additional Features

- Under cabinet glide/slide out hood - Powder coating grey
- Duct Mode
- 2 x Speed adjustment
- 300 CFM / 65 dBA
- Rocker switch controls
- 2 x Rectangle LED lights - Color Temp: 3,200K
- 2 x Honeycomb filters
- 2 x Replacement charcoal filters available (CF-D)
- AC Capacitor motor
- Stainless steel handle - can be replaced with matching cabinetry

## HANDLE REPLACEMENT DIMENSIONS

**Width:** 35<sup>3/8</sup>" (898mm)  
**Height:** 3<sup>5/2</sup>" (80mm)

## DIMENSIONS

### Appliance Dimensions (WxHxD)

**W:** 35<sup>3/8</sup>" x **H:** 8<sup>5/16</sup>" x **D:** 11<sup>1/16</sup>"

**W:** 898mm x **H:** 211mm x **D:** 281mm

### Cut Out Dimensions (WxHxD)

**W:** min. 35<sup>7/16</sup>" - max. 36" x **H:** 8<sup>3/8</sup>" x **D:** 12"

**W:** min. 900mm - max. 914mm x **H:** 213mm x **D:** 305mm

## TECHNICAL DETAILS

**Motor Power:** 130W

**Volts (V):** 120 V

**Frequency (Hz):** 60 Hz

**Amperage (Amp):** 15 Amp

\*Supplied with a Canadian plug and 1m long cord.

## Installation Details

### PRODUCT DIMENSIONS (INCH/MM)

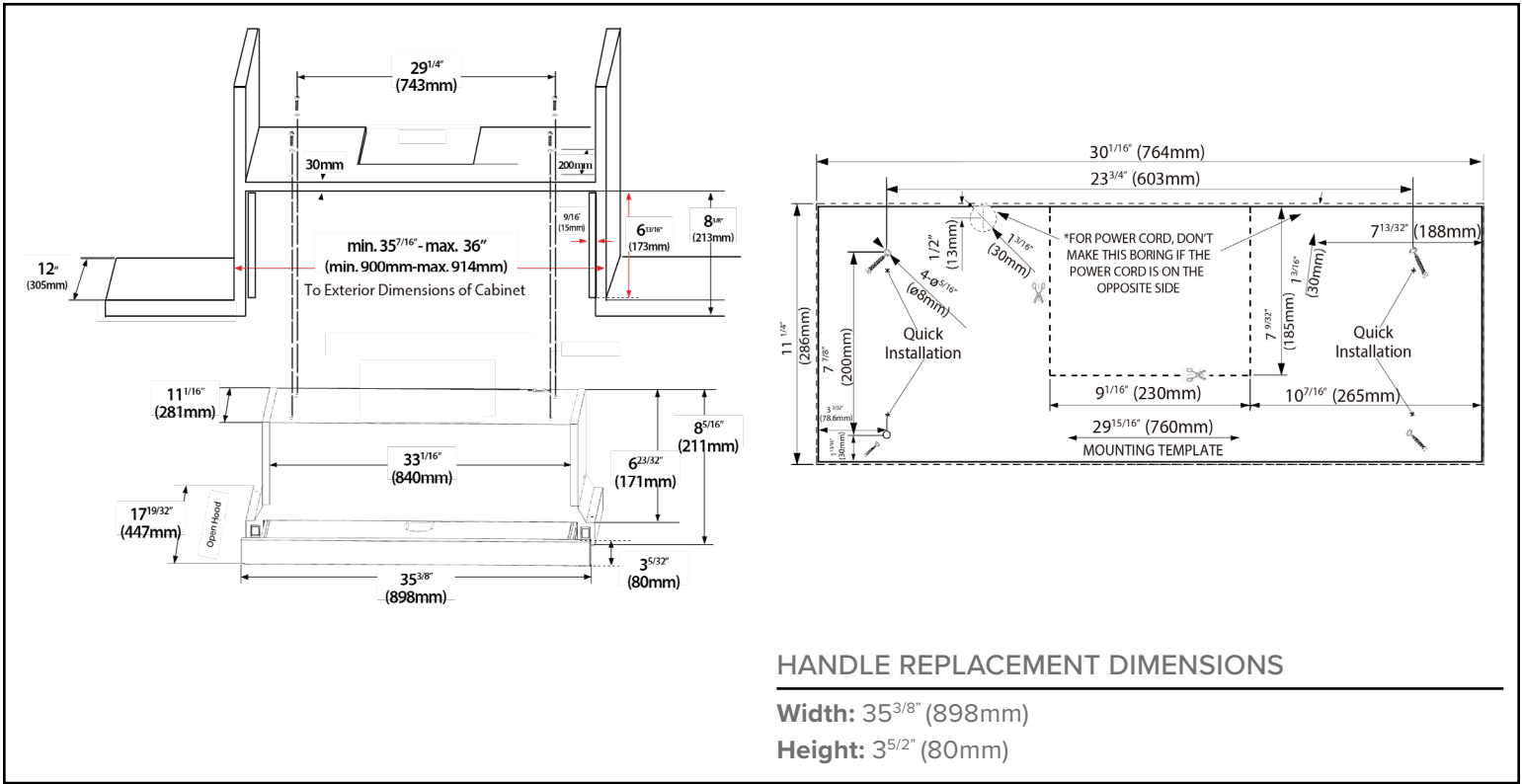
Width: 35<sup>3</sup>/<sub>8</sub>" / Height: 8<sup>5</sup>/<sub>16</sub>" / Depth: 11<sup>1</sup>/<sub>16</sub>"

Width: 898mm / Height: 211mm / Depth: 281mm

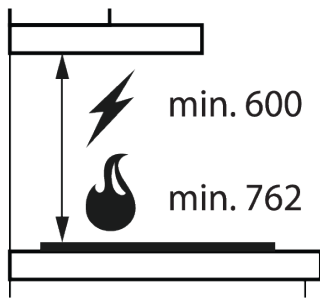
### CUT-OUT DIMENSIONS (INCH/MM)

Width: min. 35<sup>7</sup>/<sub>16</sub>" - max. 36" / Height: 8<sup>3</sup>/<sub>8</sub>" / Depth: min. 12"

Width: min. 900mm - max. 914mm / Height: 213mm / Depth: 305mm



### RECOMMENDED CABINET MINIMUM CLEARANCE



For optimal performance, the distance from the cooking surface to the bottom of the range hood should be between 24" and 30", unless otherwise noted. DO NOT install a range hood less than 24" above cooking surface.

\*Minimum. 24" clearance space must be present between an electric or induction cook-top and the range hood, 30" min clearance is required above gas cook-tops.

# AEG

## WARRANTY INFORMATION

AEG Appliances are designed and manufactured to the highest standards. Each appliance is covered by a comprehensive 2-year parts and labour warranty. Refer to product warranty policy for complete terms and conditions.

## FOR PARTS & SERVICE

### Euro-Parts & Service

39822 Belgrave Road, Belgrave, ON. N0G 1E0 1 866 722 2262  
[www.euro-parts.ca](http://www.euro-parts.ca) · [parts@euro-parts.ca](mailto:parts@euro-parts.ca) · [service@euro-parts.ca](mailto:service@euro-parts.ca)

AEG appliances are imported and distributed in North America by Euro-Line Appliances Inc. For more information, please visit one of our showrooms or [www.ela.ca](http://www.ela.ca) / [www.elawest.ca](http://www.elawest.ca)

### EURO-LINE APPLIANCES INC.

871 Cranberry Court Oakville, ON  
L6L 6J7 Canada  
905 829 3980  
1 800 421 6332  
[info@ela.ca](mailto:info@ela.ca)

### EURO-LINE APPLIANCES INC.

101-1014 Homer Street Vancouver,  
BC V6B 2W9 Canada  
604 235 3980  
1 855 ELA WEST (352 9378)  
[infowest@ela.ca](mailto:infowest@ela.ca)