

Houston User Manual

VRH-HOUSTON-30BS



Vesta
Simple Kitchen Solutions

www.vesta.kitchen



Vesta Simple Kitchen Solutions

Contact Us

If you need any assistance, please contact us at **+1 905-727-8688** or **info@vesta.kitchen** . Please have your order number and model of the range hood ready. This information will help us better respond to your request.

If you need replacement parts, we recommend that you only use genuine parts. Our accessories and parts are engineered and designed specifically for this series of range hood, each is rigorously tested assuring the utmost in durability and reliability, providing a factory match, factory-installed appearance and functionality tailored to each individual range hood model.

Disclaimer

Carefully inspect all items for damages before accepting delivery. Note any damages on the freight bill or express receipt. Request name and signature of the carrier's agent and keep copy to support your claim. Upon acceptance of items, owner assumes responsibility for its safe arrival. Report damages to the carrier and file a claim immediately. Failure to do so may result in the denial of your claim. The carrier will furnish you with necessary forms for filing a claim.

Damages caused during transit are not covered under our warranty. Please contact us to file an insurance claim.

Please inspect contents of package(s) carefully upon receiving! We must be notified of any damages and/or missing parts within five (5) days upon your receipt of package(s). Claims will not be accepted after five (5) days. NOTE: Items were thoroughly tested and carefully packed in our factory before shipping.

Products must be returned in good working condition with ALL original parts and documentation packed in ALL original cartons, fillers and shipping cartons. A restocking fee of 15% will be charged for all approved return(s). Exchanges or returns may not be accepted if any packaging is missing.

Make sure to inspect the hood for damages and defects before installation. Appearance flaws of the hood found after installation and not affecting hood performance is not covered under our warranty for returns or exchanges. Service visits not covered under warranty will carry a service charge.

Before Installation: Return for exchange or refund (please see above for acceptable returns). After Installation: NO exchange or refund.

Table of Contents

Important Safety Notice	4
Height & Clearance Requirement	9
Venting Requirement	10
Venting Methods	11
Electrical Requirement	12
Tools Needed	13
Parts Supplied	14
Product Dimensions	15
Installation	16
Operations	21
Specification	24
Trouble Shooting	25
Replacing the Light Bulb	27
Use & Care	28
Maintenance	29
Warranty	31
Disclaimer	34
Contact Us	35

Important Safety Notice

READ ALL INSTRUCTIONS BEFORE INSTALLING AND OPERATING THIS APPLIANCE

- The installation in this manual is intended for qualified installers, service technicians or persons with similar qualified background. Installation and electrical wiring must be done by qualified professionals and in accordance with all applicable codes and standards, including fire-rated construction.
- DO NOT attempt to install this appliance yourself. Injury could result from installing the unit due to lack of appropriate electrical and technical background.
- Range hood may have very sharp edges; please wear protective gloves if it is necessary to remove any parts for installing, cleaning or servicing.
- Activating any switch ON before completing installation may cause ignition or an explosion.
- Due to the size and weight of this range hood, two people installation is recommended.

TO REDUCE THE RISK OF FIRE, ELECTRIC SHOCK, OR INJURY TO PERSONS:

- For general ventilating use only. DO NOT use to exhaust hazardous or explosive materials and vapors.
- The combustion air flow needed for safe operation of fuel-burning equipment may be affected by this unit's operation. Follow the heating equipment manufacturer's guideline and safety standards such as those published by the National

purchaser and does not extend to subsequent owners of this product. Any applicable implied warranties, including the warranty of merchantability, are limited in duration to a period of express warranty as provided herein beginning with the date of original purchase at retail and, no warranties, whether express or implied, shall apply to this product thereafter.

To obtain warranty service, you may contact your local reseller from which you purchased this product. Please confirm the terms of your local reseller's policies prior to contacting. Typically, you must include product identification information, including model number and serial number with a detailed description of the problem you are experiencing. You must also include proof of the date of original retail purchase as evidence that the product is within the applicable warranty period.

Who is Covered

This warranty is extended to the original purchaser for products purchased for ordinary home use.

This Warranty Will Be Voided When:

Product damaged through negligence, improper installation, accident, abuse, misuse, natural disaster, insufficient or excessive electrical supply, abnormal mechanical or environmental conditions, or any unauthorized disassembly, repair, modification, or failure to follow installation instructions. When product is used commercially or other than its intended purpose. Damaged because of improper connection with equipment of other manufacturers. Repaired or modified by anyone other than your local reseller's authorized agents. This limited warranty also does not apply to any product on which the original identification information has been altered, obliterated or removed, has not been handled or packaged correctly or has been sold as second-hand.

What is Not Covered:

Consumable parts such as light bulbs, metal and charcoal filters. The natural wear of finish, and wear due to improper maintenance, use of corrosive and abrasive cleaning products, pads, and oven cleaner products. Chips, dents or cracks due to abuse, misuse, freight damage, or improper installation. Damage of product caused by accident, fire, floods or act of God. The manufacturer and/or distributor/reseller is not liable for, and does not cover under warranty, any loss of properties or any costs associated with removing, servicing, installing, or determining the source of problems with this product.

This warranty is valid in the country of the original purchase at retail. It is non-transferable and applies only to the original

Fire Protection Association (NFPA), and the American Society of Heating, Refrigeration and Air Conditioning Engineers (ASHRAE), and the local code authorities.

- Before servicing or cleaning unit, switch power OFF at service panel and lock service panel to prevent power from being switched ON accidentally.
- Clean grease laden surfaces frequently. To reduce the risk of fire and to disperse air properly, make sure to vent air outside. DO NOT vent exhaust into spaces between walls, crawl spaces, ceiling, attics or garages.
- Ducted fans MUST always be vented to the outdoors.
- Use only metal ductwork and this unit MUST be grounded.
- Sufficient air is needed for proper combustion and exhausting of gases through the duct to prevent back drafting.
- When cutting or drilling into wall or ceiling, be careful not to damage electrical wiring or other hid- den utilities.
- All electrical wiring must be properly installed, insulated and grounded.
- Old duct work should be cleaned or replaced if necessary to avoid the possibility of a grease fire.
- Check all joints on duct work to insure proper connection and all joints should be properly taped.
- Use this unit only in the manner intended by the manufacturer. If you have questions, contact the vendor.

TO REDUCE THE RISK OF A STOVE TOP GREASE FIRE:

- Keep all fan, baffle, spaces, filter, grease tunnel, oil container and grease-laden surfaces clean. Grease should not be allowed to accumulate on fan, baffle, spaces, filter, grease tunnel and oil container.
- Always turn range hood ON when cooking at high heat or when cooking flaming foods.
- Use high settings on cooking range only when necessary.
- Never leave surface units unattended at high settings. Boil overs cause smoking and greasy spillovers that may ignite. Heat oils slowly on low or medium settings.
- Clean ventilating fan frequently.
- Always use appropriate cookware and utensils size.
- Always use cookware appropriate for the size of the surface element.

TO REDUCE THE RISK OF INJURY TO PERSONS IN THE EVENT OF A STOVE TOP GREASE FIRE:

- **SMOTHER FLAMES** with a close-fitting lid, cookie sheet, or metal tray, then turn OFF the burner. **BE CAREFUL TO PREVENT BURNS. NEVER PICK UP A FLAMING PAN**—you may be burned. **KEEP FLAMMABLE OR COMBUSTIBLE MATERIAL AWAY FROM FLAMES.** If the flames **DO NOT** go out immediately, **EVACUATE AND CALL THE FIRE DEPARTMENT** or dial your local emergency service immediately.
- **DO NOT USE WATER**, including wet dishcloths or towels — a violent steam explosion will result.

Warranty

TO OBTAIN SERVICE UNDER WARRANTY:

You must present proof of original purchase date.

Please provide an original dated proof of purchase (sales receipt / invoice) in order to obtain service under warranty.

Lifetime Motor Warranty

The motor, which is covered by lifetime warranty, should be provided free of charge by your local reseller given it failed due to manufacturing defects. Subject to the conditions and limitations set forth below, your local reseller should, at its option, either repair or replace it with new or refurbished motor to be functionally equivalent to new. The consumer is responsible for all shipping costs.

One Year Parts Warranty

For one year from the date of original purchase, your local reseller will provide free of charge, non-consumable replacement parts or components that failed due to manufacturing defects. Subject to the conditions and limitations set forth below, your local reseller will, at its option, either repair or replace any part of its products that prove defective by reason of improper workmanship or materials. Repaired parts or replacement products will be provided by your local reseller on an exchange basis, and will be either new or refurbished to be functionally equivalent to new. The consumer is responsible for all shipping costs. Consumable parts not covered by this warranty include but not limited to: Light bulbs, metal, aluminum and charcoal filters.

DO NOT allow salt solutions, disinfectants, bleaches, or cleaning compounds to remain in contact with stainless steel for extended periods. Many of these compounds contain chemicals, which may be harmful. Rinse with water after exposure and wipe dry with a clean cloth.

Cleaning Filters

IMPORTANT: Drain oil from oil containers before oil and residue overflow!

The metal filters fitted by the factory are intended to filter out residue and grease from cooking. It need not be replaced on a regular basis but are required to be kept clean.

Filters should be cleaned after every 30 hours of use.

Remove and clean by hand or dishwasher. Spray "Formula 409®" or equivalent degreasing detergent and leave to soak if heavily soiled. Dry filters and re-install before using hood.

Replacing Filters

Should aluminum grease filters wear out due to age and prolonged use, please contact your local reseller for replacement filters. (Note: Also replace damaged filter that has punctured or broken mesh, bent or broken frame.)

- Use an extinguisher ONLY if:
- You know you have a Class A, B, C extinguisher, and you already know how to operate it.
- The fire is small and contained in the area where it is started.
- The fire department is being called.
- You can fight the fire with your back to an exit.

TO REDUCE THE RISK OF INJURY TO PERSONS IN THE EVENT OF A GAS LEAKS:

- Extinguish any open flame.
- DO NOT turn on the range hood fan or any type of ventilator.
- DO NOT turn on the lights or any type of appliance.
- Open all doors and windows to disperse the gas. If you still smell gas, call the gas company and fire department, or dial your local emergency service immediately.
- Your safety and the safety of others is very important. We have provided many important safety messages in this manual and on your appliance. Always read and obey all safety messages. All safety messages will tell you what the potential hazard is, tell you how to reduce the chance of injury, and tell you what can happen if the instructions are not followed.



This is the safety alert symbol. This symbol alerts you to potential hazards that can hurt you and others. All safety messages will follow the safety alert symbol and the word "WARNING".

The manufacturer and/or distributor/reseller declines all responsibility in the event of failure to observe the instructions given here for installation, maintenance and suitable use of the product.

The manufacturer and/or distributor/reseller further declines all responsibility for injury due to negligence and the warranty of the unit automatically expires due to improper maintenance.

The manufacturer and/or distributor/reseller will not be held responsible for any damages to personal property or real estate or any bodily injuries whether caused directly or indirectly by the range hood.

Maintenance

SAFETY WARNING: Never put your hand into area housing the fan while the fan is operating!

For optimal operation, clean range hood and all baffle/spacer/filter/grease tunnel/oil container regularly. Regular care will help preserve the appearance of the range hood.

Cleaning Exterior surfaces

Clean periodically with hot soapy water and clean cotton cloth. Do not use corrosive or abrasive detergent (e.g. Comet Power Scrub®, EZ-Off® oven cleaner), or steel wool/scoring pads, which will scratch and damage the stainless steel surface. For heavier soil use liquid degrease such as "Formula 409®" or "Fantastic®" brand cleaner.

If hood looks splotchy (stainless steel hood), use a stainless steel cleaner to clean the surface of the hood. Avoid getting cleaning solution onto or into the control panel. Follow directions of the stainless steel cleaner. **CAUTION: Do not leave on too long as this may cause damage to hood finish.** Use soft towel to wipe off the cleaning solution, gently rub off any stubborn spots. Use dry soft towel to dry the hood.

After cleaning, you may use non abrasive stainless steel polish such as 3M® or ZEP®, to polish and buff out the stainless luster and grain. Always scrub lightly, with clean cotton cloth, and with the grain.

DO NOT allow deposits to accumulate or remain on the hood.

DO NOT use ordinary steel wool or steel brushes. Small bits of steel may adhere to the surface and cause rusting.

Use and Care Information

Operations

Read and understand all instructions and warnings in this manual before operating the appliance. Save these instructions for future reference.

Always leave safety grills and filters in place. Without these components, operating blowers could catch on to hair, fingers and loose clothing.

NEVER dispose cigarette ashes, ignitable substances, or any foreign objects into blowers.

NEVER leave cooking unattended. When frying, oil in the pan can easily overheat and catch fire. The risk of self-combustion is higher when the oil has been used several times.

NEVER cook on "open" flames under the range hood. Check deep-fryers during use: Superheated oil may be flammable.

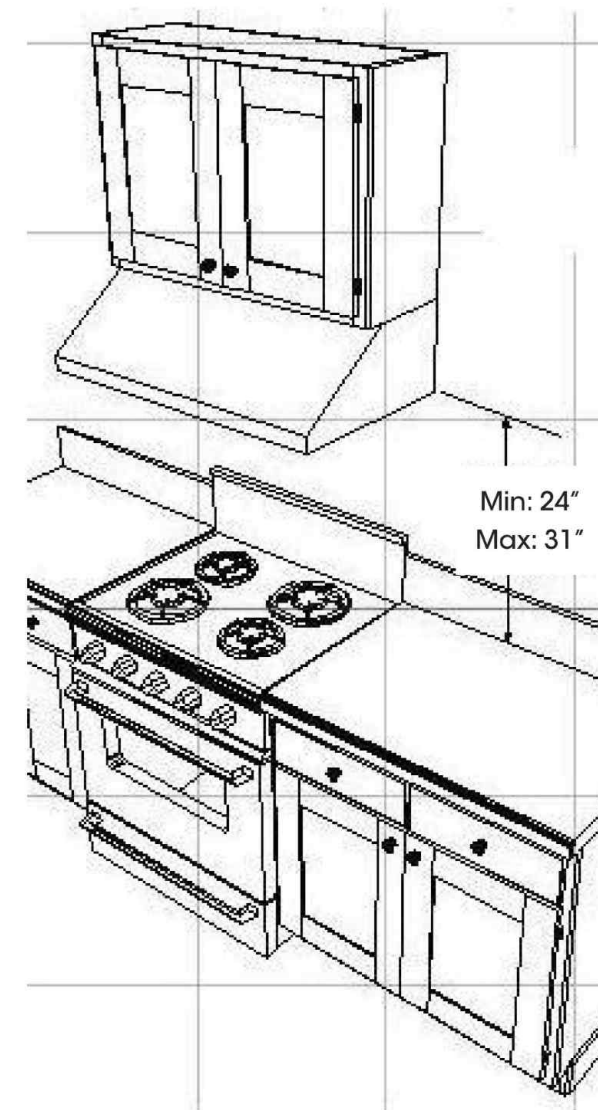
Cleaning

The saturation of greasy residue in the blower and filters may cause increased inflammability. Keep unit clean and free of grease and residue build-up at all times to prevent possible fires.

Filters must be cleaned periodically and free from accumulation of cooking residue (see *Maintenance* on Page 33). Old and worn filters must be replaced immediately.

Do not operate blowers when filters are removed. Never disassemble parts to clean without proper instructions. Disassembly is recommended to be performed by qualified personnel only. Read and understand all instructions and warnings in this manual before proceeding.

Height & Clearance



Venting Requirements

Hood mounted too low could result in heat damage and fire hazard; while hoods mounted too high will be hard to reach and will lose its performance and efficiency.

Use metal duct work only. Rigid metal vent is recommended. A minimum of 8" round (standard for this range hood, purchased separately must be used to maintain maximum airflow efficiency

DO NOT use plastic vent.

DO NOT use 4" (10.2 cm) laundry-type wall caps

Fasten all connections with sheet metal screws and tape all joints with aluminum tape.

For the most efficient & quiet operation:

A distance of 24" to 31" is recommended* between stove top and the bottom of range hood.

It is recommended that the range hood be vented vertically through the roof through 8" (15.2 cm) or bigger round metal/ aluminum vent work.

The size of the vent should be uniform.

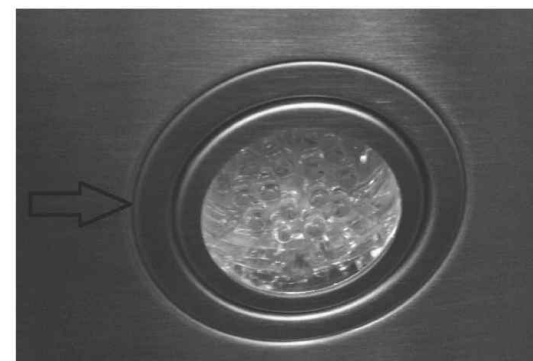
Use no more than three 90° elbows.

Make sure there is a minimum of 24" (61 cm) of straight vent between the elbows if more than one elbow is used.

DO NOT install two elbows together.

Replacing the Light Bulb

1. Make sure the range hood is unplugged or turn OFF breaker.
2. Use the small flat crew driver to lift any where around the outsider ring as show in below picture Arrow.
3. Install new light bulb
4. Put back the light set by press it in.
5. Turn ON breaker and range hood to test for operation.



The hood is not venting out properly

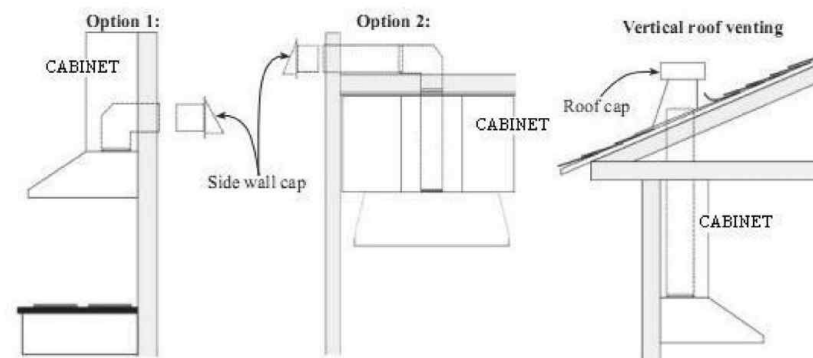
- Make sure the distance between the stove top and the bottom of the hood is within* 24" and 31" in distance. *Due to different ceiling height configurations, recommended height may not be applicable.
- Reduce the number of elbows and length of duct work. Check if all joints are properly connected, sealed, and taped.
- Make sure the power is on high speed for heavy cooking.

Purpose of the slots/holes/openings near the top of the upper chimney:

- These slots/holes/openings are used to exhaust cleaned air with optional re-circulating kit. If you did not install one, you do not need them.

NOTE: For all other inquiries, please contact your local reseller.

Venting Methods



Electrical Requirements

IMPORTANT: Observe all governing building codes and city ordinances. A 120 volt, 60 Hz., AC only, 15-amp, fused electrical circuit is required.

It is the customer's responsibility:

- To contact a qualified electrical installer.
- To assure that the electrical installation is adequate and in conformance with National Electrical Code, ANSI/ NFPA 70 — latest edition*, or CSA Standards C22. 1-94, Canadian Electrical Code, Part 1 and C22. 2 No. 0-M91 - latest edition** and all local codes and ordinances.

Troubleshooting

If the range hood or halogen light does not work after installation

- Check if the range hood has been plugged in, make sure that all power has been turned back ON, fused not blown and all electrical wiring are properly connected.
- Swap out light assembly to working ones to determine whether it is caused by defective bulbs. See *Replacing the light bulbs* on Page 34-36.

The range hood vibrates when the blower is on

- The range hood might not have been secured properly on to the ceiling or wall. Check with your installer

The blower or fan seems weak

- Check that the duct sized used is at least 6" or 3-1/4 x 10". Range hood WILL NOT function efficiently with insufficient duct size. For example: 8" duct over 6" hole and loosely secured.
- Check if duct is clogged or if damper unit (half-circular flapper) is not installed correctly or opening properly. A tight mesh on a side wall cap unit might also cause restriction to the air flow.

The lights work but the blower is not spinning at all, is stuck or is rattling

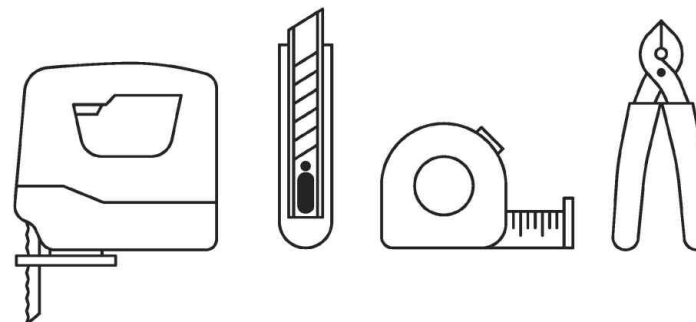
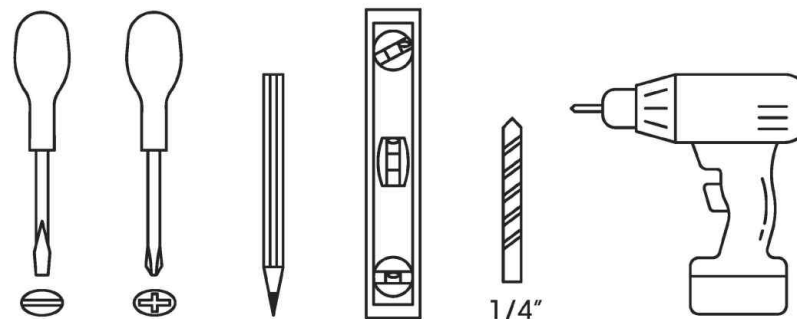
The blower might be jammed or scraping the bottom due to shipping damage. Please contact us immediately.

Specifications

Body	Stainless Steel
Power Rating	120V/60Hz (USA & Canada standard)
General Input Power	184W (90W + 2x2W)
Motor Input Power	90 W each
Ampere	1.70 A
Levels Of Speed Control	4
Maximum Airflow	900 CFM
Noise Level (dB / sone)	Approximately 35 / 0.7 to 67 / 6.5 (Lowest to highest Speed)
Motor Type	Single Chamber Ultra Quiet
# of Motors	2
Fan Type	Centrifugal Squirrel Cage
Control Type	Mechanical Buttons
Filtration Type	Baffle Filter
Illumination	LED light, 2W Maximum
Venting Size	Top, 8 inches Round
Interference Protection	Radio Frequency Interference Protected

* Subject to change without notice, please contact your local reseller for details.

Tools Needed



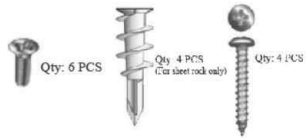
Parts Supplied



Range Hood
x1



Baffle Filters



Qty: 6 PCS

Qty: 4 PCS
(For steel rod only)

Qty: 4 PCS



Remote Control (PX02
MODEL ONLY)

may vary depending on temperature and remote control battery condition.

Light settings are independent from other settings (including power-off delay) and lights have to be manually turned on or off.

The system saves user configurations, settings such as light, timer and blower (motor) speed will remain the same the next time it is turned on.

While the range hood is on and the blower is running in normal mode, touch Power-Off Delay button to activate delay off timer.

Adjust to desired period of delay of timer by touching (-) or (+) button (1-15 minutes). Timer begins to countdown immediately, when it reaches 0, the blower will shut off.

Activating Smoke Detector Function

While the machine is off, touch Auto Function button to activate the smoke detector auto function mode.

NOTE: this function will only work when there's a lot of smoke. Once this button is touched, all other buttons are not active.

Changing the clock

While the machine is off:

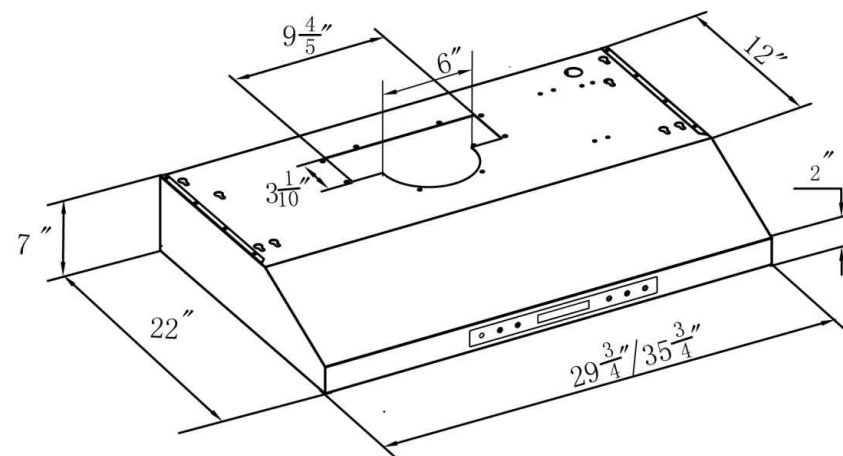
1. Touch clock sign once; the hour indicator will flashing
2. use (+) or (-) to adjust to designed hour
3. Touch clock sign again; the "minutes" indicator will flashing
4. use (+) or (-) to adjust to designed minutes
5. Touch power sign again to clear the screen

Note: The clock display is only available for product manufactured after October 2012.

Remote Control Sensor

Remote control sensor receives infrared (IR) signal from the remote control. The maximum distance for IR data transmission is 3 meter and requires direct line of sight. The transmission distance

Product Dimensions



Installation

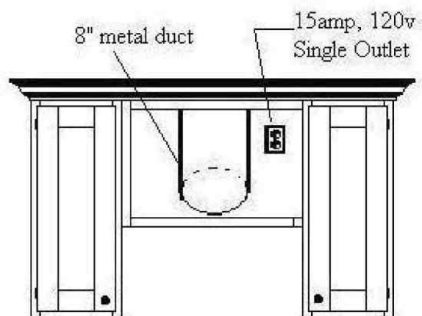


Figure 1

A. Prepare Ductwork & Single Outlet

Make sure you have a 15amp, 120V, 60Hz, single outlet on the left or right of the duct pipe (usually is on 1/4 of cabinet width). See Figure 1

Make sure duct pipe is ready to hook up to the range hood before beginning installation (8" diameter duct, and roof or wall cap, depending on where you will be venting your hood)

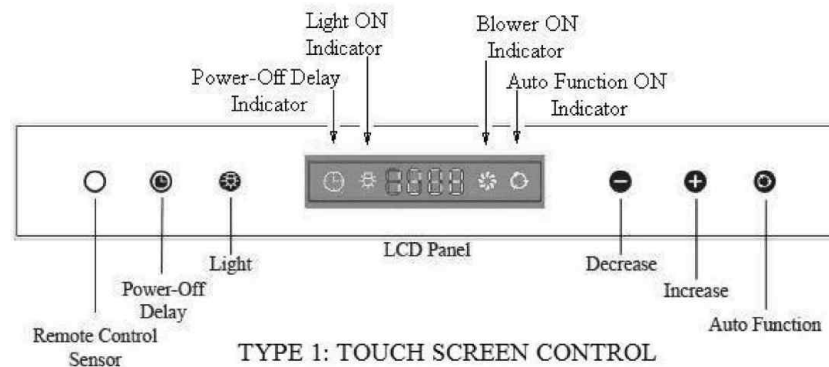
NOTE: Use threaded drywall anchors only when mounting the hood on sheet rock. Mounting the hood on wall studs or lumbers is highly recommended.

B. Install the Hood Body Under a Cabinet

Put a thick, protective covering over counter top, cook top or range to protect from damage or dirt.

TIP (optional): you can create a solid flat form by having 2 solids 2-3" block at both side of stove and a 3/4"-1" plywood flat form above. Figure 2

Operations



Note: This range hood is equipped with remote control and smoke sensor that will self-calibrate within 5 seconds when the range hood is first electrically activated. Self-calibration will be set when the range hood beeps. LCD panel will turn off automatically after a period of inactivity.

Activating Normal Blower Function

While the range hood is off,

Touch (+) to start from lowest speed, F1

Touch (-) to start from Highest speed, F4

Touch (+) or (-) again to change the blower speed as indicated in LCD panel

Activating Light Function

Touch Light button to turn the lights on or off.

Activating Power-Off Delay Function:

Connect the exhaust on the hood to the ductwork above. Use aluminum tape to make all joints secure and all tight

Install Oil Tunnel & Baffle Filter

1. Oil Tunner. Drop oil tunnel into recess support near rear of hood. Refer to below figure A

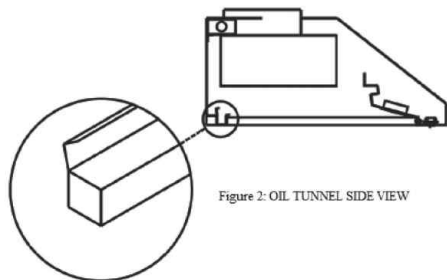


Figure 2: OIL TUNNEL SIDE VIEW

2. Baffle Filter. Install baffle filters; refer to Figure B on the left for the following three steps:

1. Angle baffle filter toward back of hood.
2. Lift a baffle filter up above horizontal level.
3. Slide forward into slot behind the front of hood.

To remove the baffle, please reverse the process.

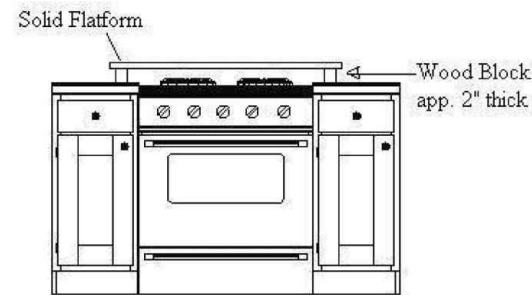
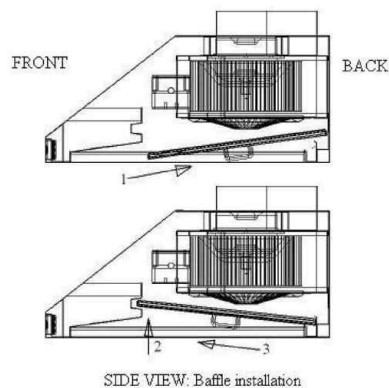


Figure 2

For installing under the cabinet with recessed bottom, attach 4-inch wide wood filler strips (not provided) on each side. Refer to below. Figure 3

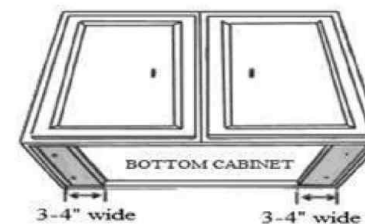


Figure 3

Create access opening for electrical wires and hood exhaust under the cabinet. Figure 4

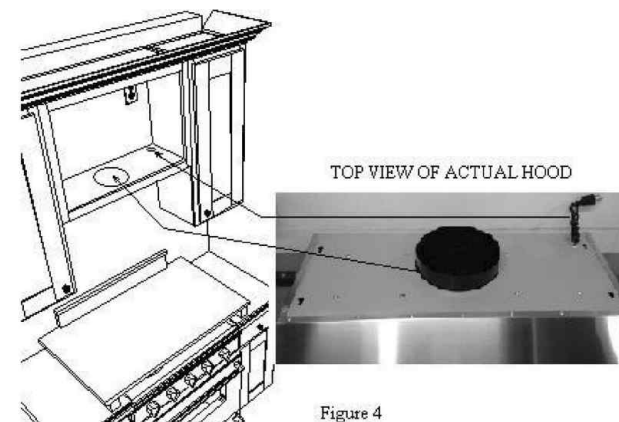


Figure 4

Lift the hood up and have it place below the cabinet. Make sure center the hood beneath the cabinet and flush with the front of the cabinet. Figure 5

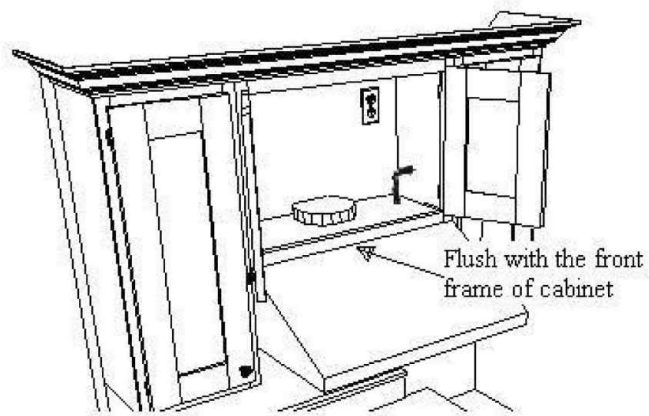


Figure 5

TIP (optional): since the hood is heavy, use cabinet jack is highly recommended it. See Figure 5-5

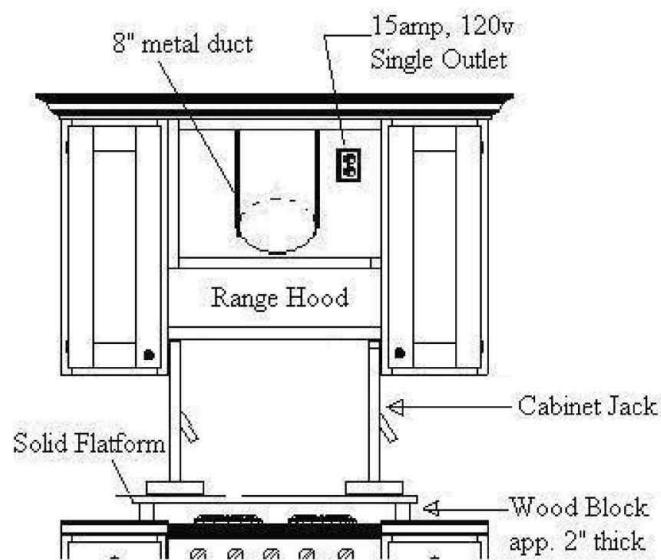


Figure 5-5

From inside of the hood, place screws into the exact center of each knockout holes (4) and secure to cabinet bot tom. Finish tightening all screws until secure. Be careful when using electrical screwdriver, damage to the range hood may occur. Figure 6

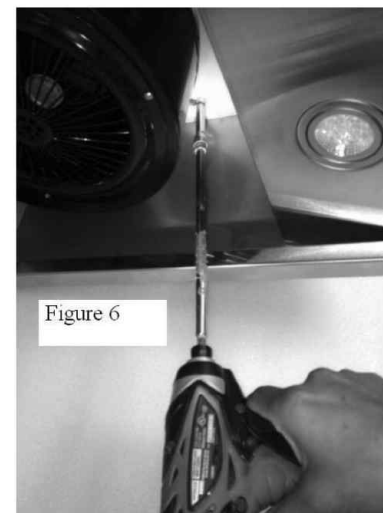
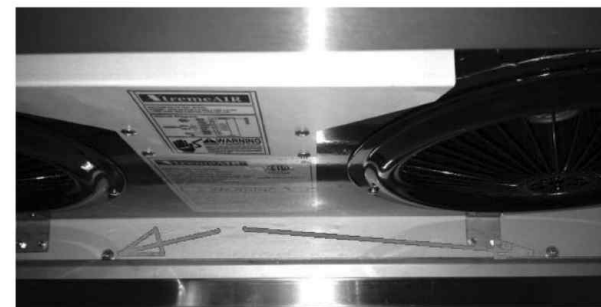


Figure 6

Secure the hood by using 1.5" - 2.0" wood screws (the screws are not provided) screw through the back of hood to the studs (use stub finder to find the stud. Figure 7



Installation-Figure 3

CAUTION: Make certain the range hood is secure before releasing!