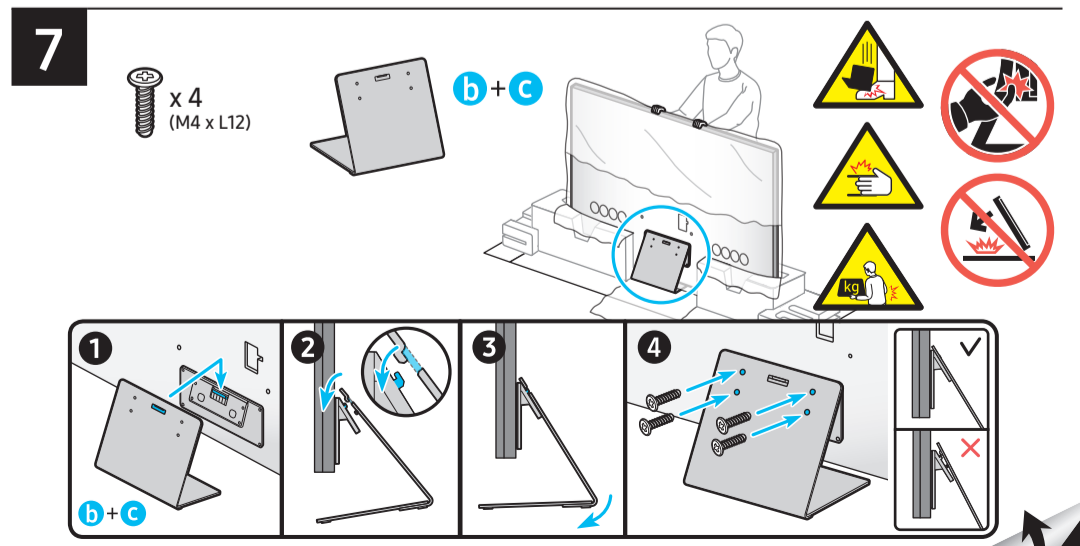
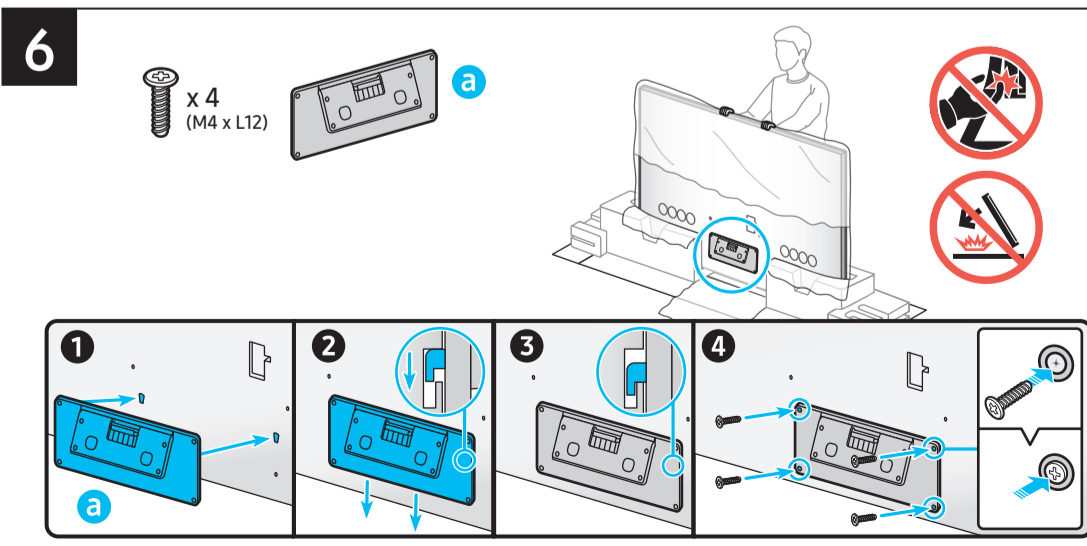
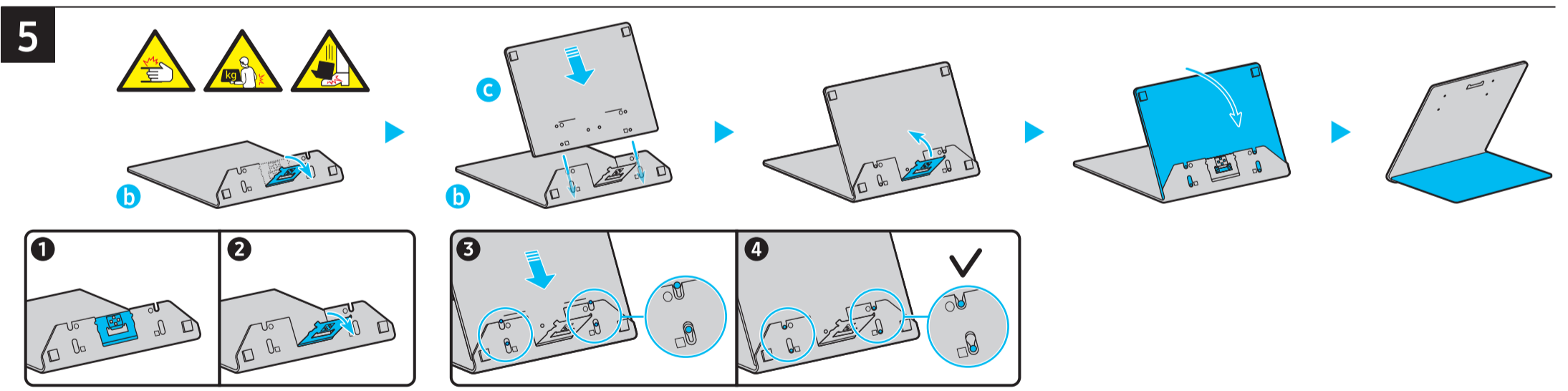
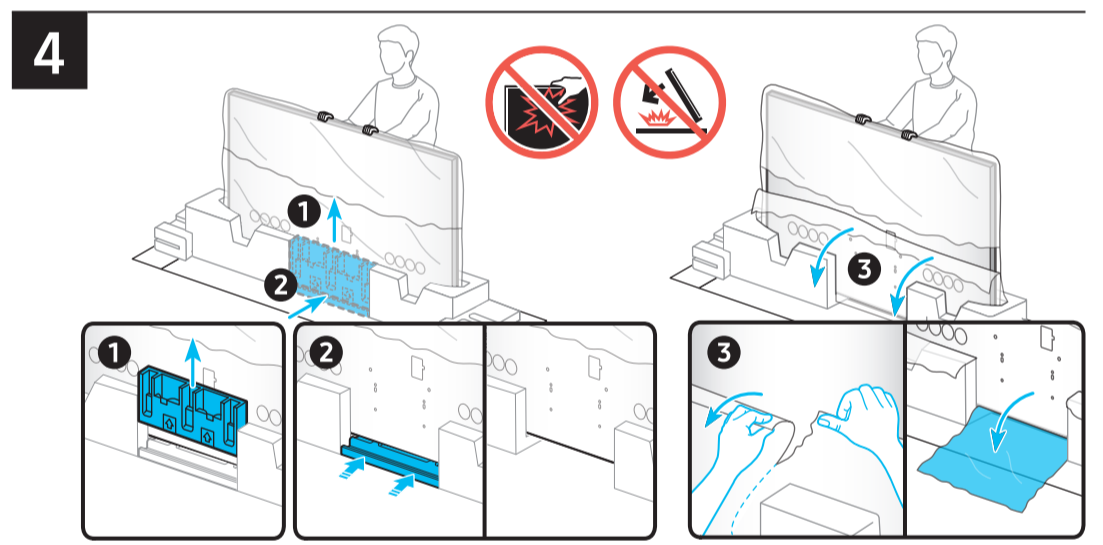
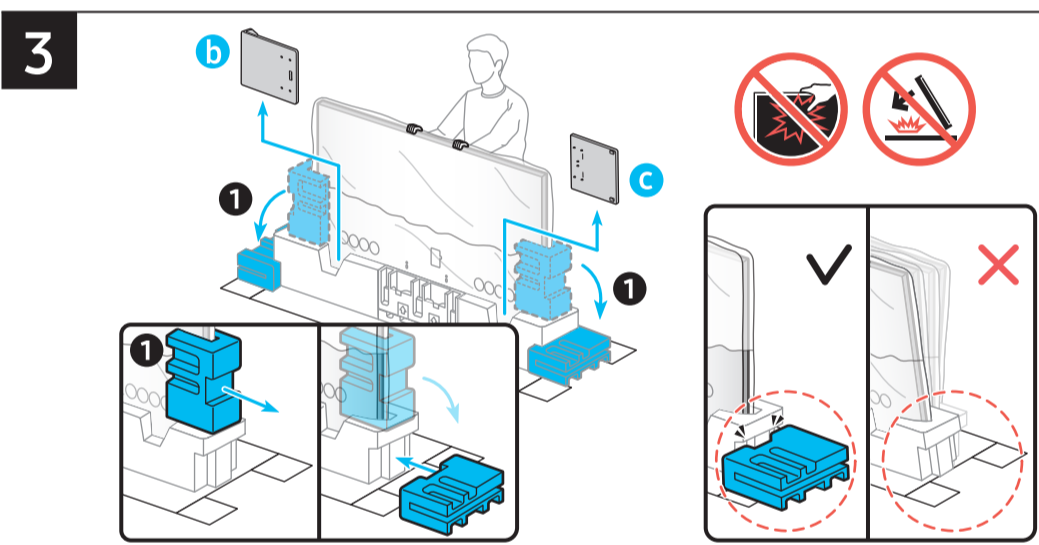
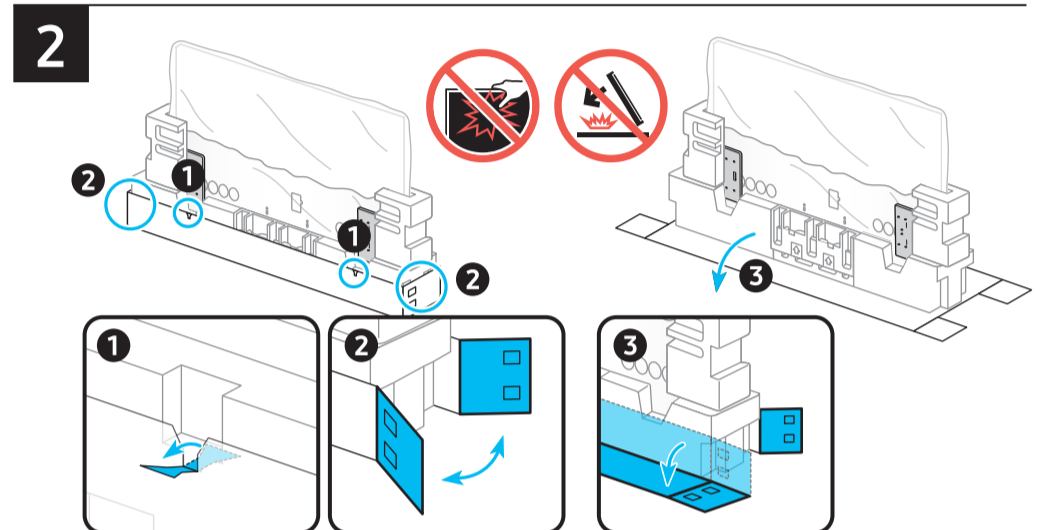
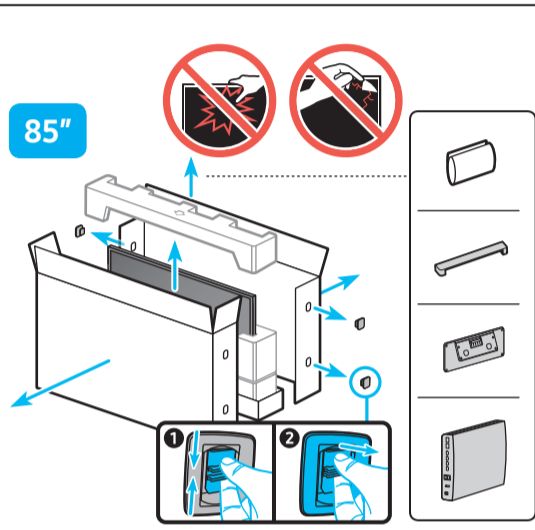
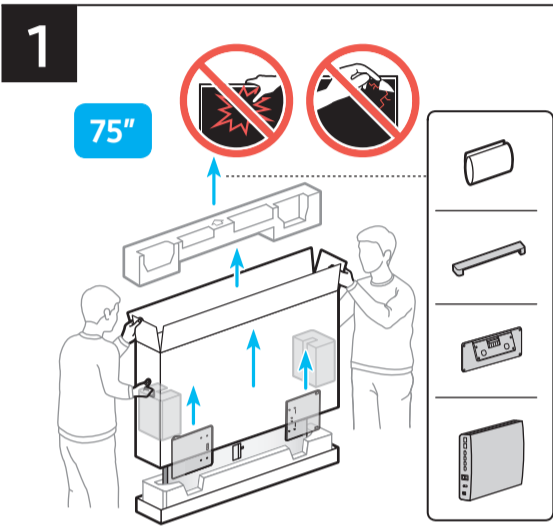
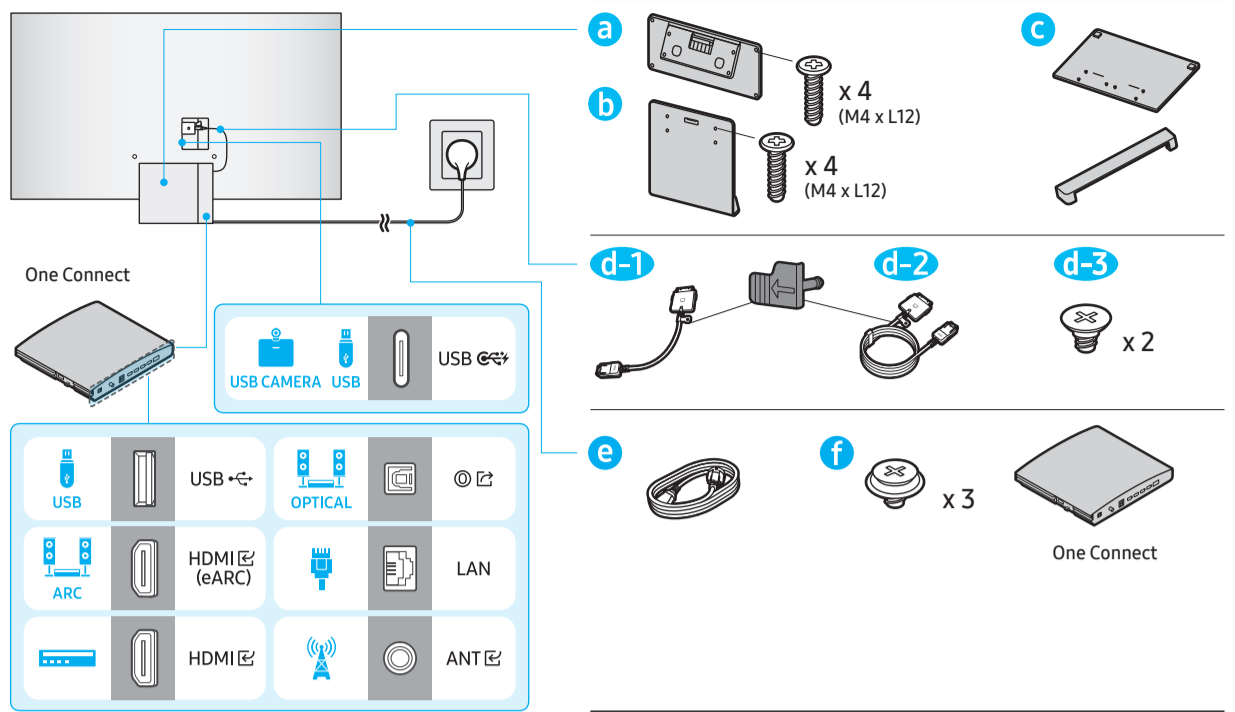


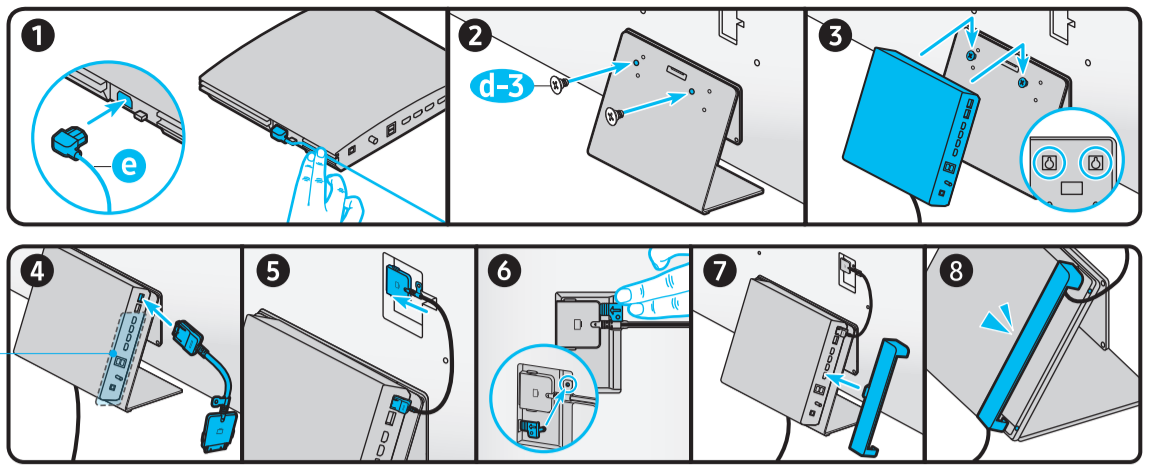
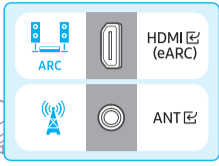
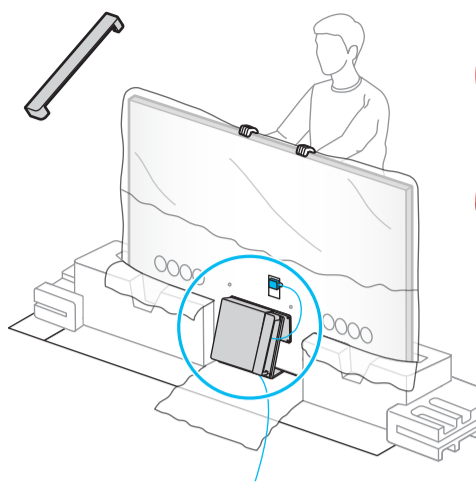
# SAMSUNG

Unpacking and Installation Guide  
 Guide de déballage et d'installation  
 Guía de desembalaje e instalación  
 Manual de desempacotamento e instalação  
 Auspacken und Installationsanleitung  
 Guida al disimballaggio e all'installazione



8

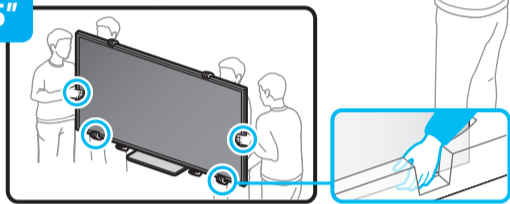
d-3  
x 2



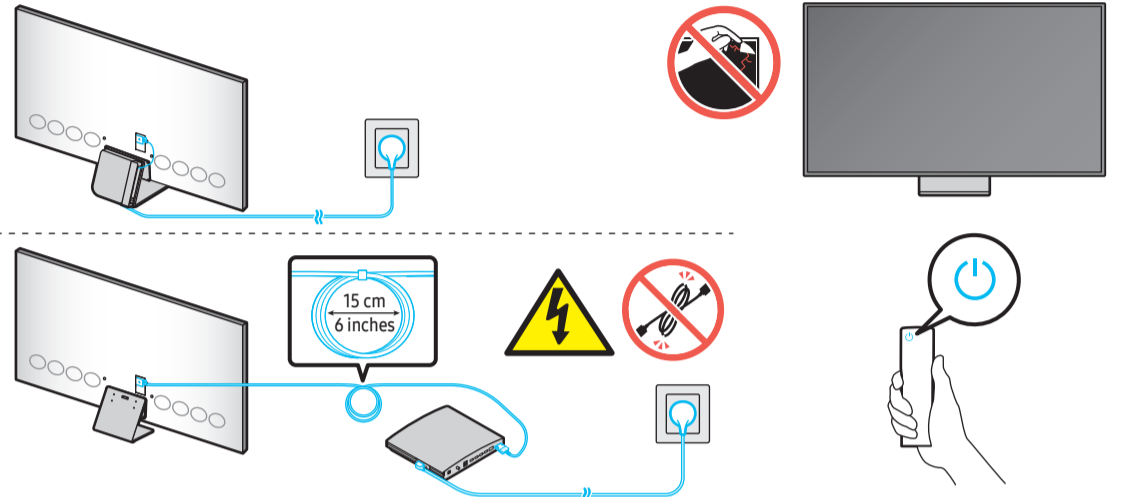
9



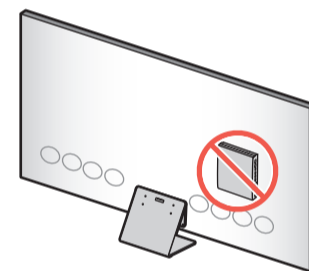
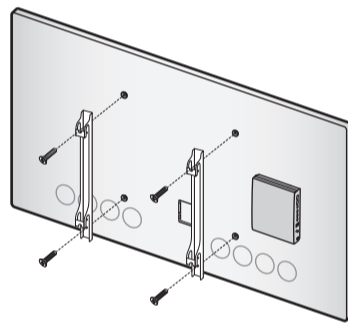
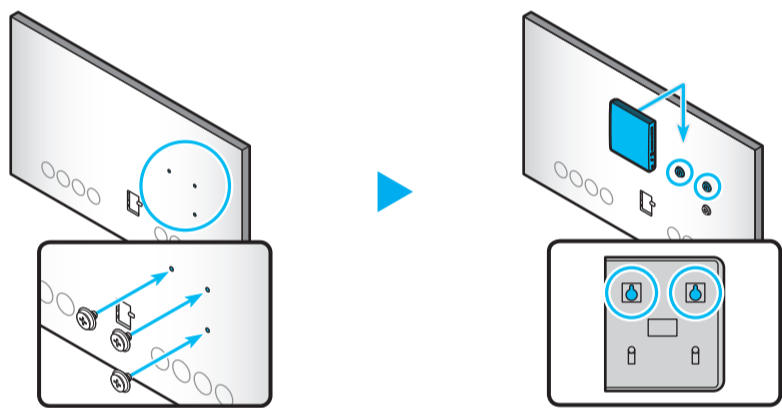
85"



10

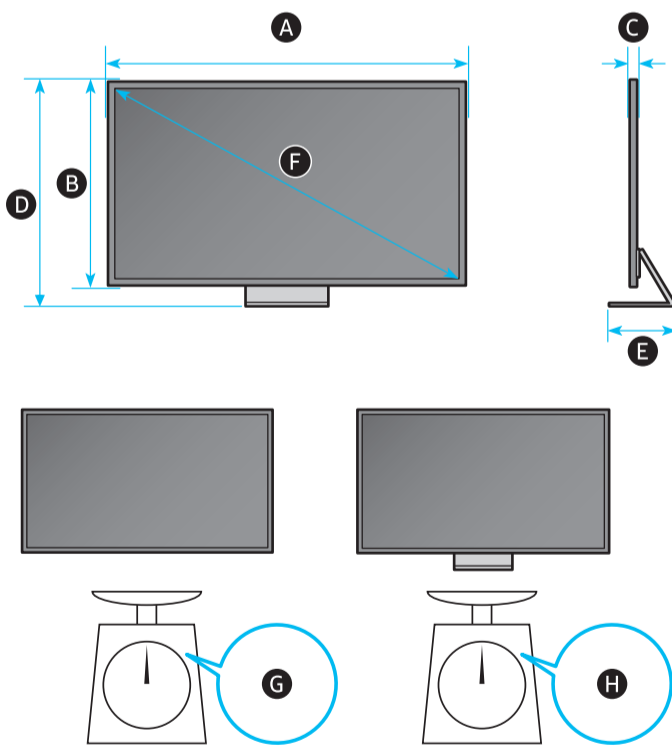


\* When installing the TV as wallmount, You can place the One Connect Box as shown below. /  
Lorsque vous installez le téléviseur sur un support mural, vous pouvez positionner le boîtier One Connect comme indiqué ci-dessous. /  
Ao instalar a TV como suporte de parede, você pode posicionar o One Connect Box como mostrado abaixo. /  
Al instalar el televisor como montaje de pared, puede colocar la caja de One Connect como se muestra a continuación.



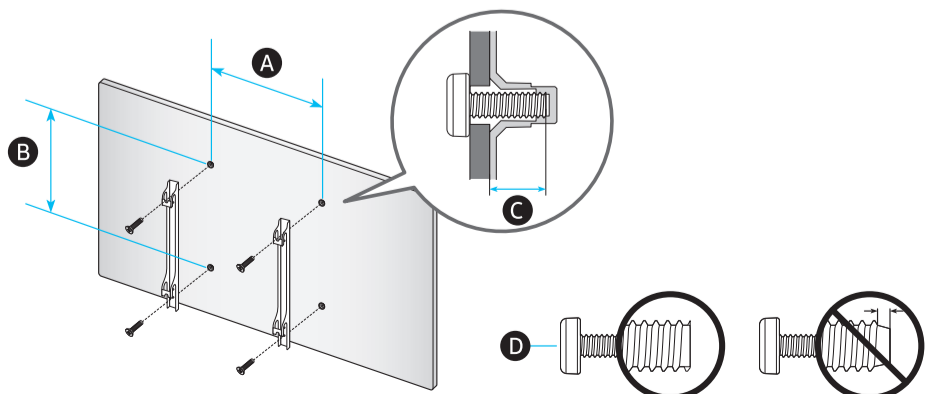
**f** HOLDER-BOLT x 3  
BOULON DE SUPPORT x 3  
PARAFUSO DE SUPORTE x 3  
3 TORNILLOS DEL SOPORTE)

- ⚠ When installing the TV as stand, Don't place the One Connect Box on back of the TV.
- ⚠ Lorsque vous installez le téléviseur sur un socle, ne positionnez pas le boîtier One Connect à l'arrière du téléviseur.
- ⚠ Al instalar el televisor como soporte, no coloque la caja de One Connect en la parte trasera del televisor.
- ⚠ Quando instalar a TV como um suporte, não coloque o One Connect Box na parte traseira da TV.



	A	B	C	D	E	F	G	H
75QN7**C	65.7 inches (1668.3 mm)	37.6 inches (955.6 mm)	0.7 inches (18.3 mm)	40.3 inches (1023.8 mm)	11.3 inches (286.4 mm)	74.5 inches	69.7 lbs (31.6 kg)	95.7 lbs (43.4 kg)
75QN8**C 75QN8**D	65.7 inches (1668.3 mm)	37.6 inches (955.6 mm)	0.7 inches (17.6 mm)	40.3 inches (1023.8 mm)	11.3 inches (286.4 mm)	74.5 inches	70.3 lbs (31.9 kg)	96.3 lbs (43.7 kg)
85QN8**C 85QN8**D	74.5 inches (1893.4 mm)	42.6 inches (1083.0 mm)	0.7 inches (17.6 mm)	45.4 inches (1153.4 mm)	12.0 inches (303.7 mm)	84.5 inches	97.9 lbs (44.4 kg)	127.2 lbs (57.7 kg)
75QN9**C	65.1 inches (1654.8 mm)	37.2 inches (945.6 mm)	0.6 inches (15.4 mm)	40.0 inches (1016.9 mm)	11.3 inches (286.4 mm)	74.5 inches	68.8 lbs (31.2 kg)	94.8 lbs (43.0 kg)
85QN9**C	73.9 inches (1876.6 mm)	42.2 inches (1071.5 mm)	0.6 inches (15.4 mm)	45.1 inches (1146.8 mm)	12.0 inches (303.7 mm)	84.5 inches	96.3 lbs (43.7 kg)	125.7 lbs (57.0 kg)

\*: 0-9, A-Z



	VESA A x B (mm)	C (mm)	D
75QN7**C	400 x 400	5-6	M8
75QN8**C 75QN8**D			
85QN8**C 85QN8**D			
75QN9**C	400 x 400		
85QN9**C	600 x 400		

\*: 0-9, A-Z