

# JENN-AIR®

## INSTALLATION INSTRUCTIONS

### 30" (76.2 CM), 36" (91.4 CM) AND 48" (121.9 CM)

### PRO-STYLE® GAS CONVECTION RANGES

for residential use only

## INSTRUCTIONS D'INSTALLATION

### CUISINIÈRES À CONVECTION -

### À GAZ PRO-STYLE® DE 30" (76,2 CM), 36" (91,4 CM)

### ET 48" (121,9 CM)

pour utilisation résidentielle uniquement

#### Table of Contents/Table des matières

<b>RANGE SAFETY</b> .....	<b>2</b>	<b>SÉCURITÉ DE LA CUISINIÈRE</b> .....	<b>34</b>
<b>INSTALLATION REQUIREMENTS</b> .....	<b>3</b>	<b>EXIGENCES D'INSTALLATION</b> .....	<b>35</b>
Tools and Parts.....	3	Outils et pièces .....	35
Location Requirements .....	4	Exigences d'emplacement .....	36
Electrical Requirements.....	6	Spécifications électriques.....	38
Gas Supply Requirements.....	6	Spécifications de l'alimentation en gaz .....	39
<b>INSTALLATION INSTRUCTIONS</b> .....	<b>8</b>	<b>INSTRUCTIONS D'INSTALLATION</b> .....	<b>40</b>
Unpack Range .....	8	Déballage de la cuisinière .....	40
Install Anti-Tip Bracket .....	8	Installation de la bride antibasculement .....	41
Make Gas Connection .....	9	Raccordement au gaz.....	42
Verify Anti-Tip Bracket Location.....	10	Vérification de l'emplacement de la bride antibasculement ..	42
Level Range .....	10	Réglage de l'aplomb de la cuisinière.....	43
Install Griddle .....	10	Installation de la plaque à frire.....	43
Electronic Ignition System .....	11	Système d'allumage électronique .....	43
Reinstall Kick Plate .....	12	Réinstallation du garde-pieds.....	45
Complete Installation .....	12	Achever l'installation .....	45
<b>GAS CONVERSIONS</b> .....	<b>13</b>	<b>CONVERSIONS POUR CHANGEMENT DE GAZ</b> .....	<b>46</b>
LP Gas Conversion.....	13	Conversion pour l'alimentation au propane .....	46
Natural Gas Conversion .....	21	Conversion pour l'alimentation au gaz naturel.....	55
Wiring Diagrams .....	29	Schémas de câblage .....	63
Strip Circuits .....	31	Schémas des circuits.....	65

#### IMPORTANT:

Save for local electrical inspector's use.

**Installer:** Leave installation instructions with the homeowner.

**Homeowner:** Keep installation instructions for future reference.

#### IMPORTANT :

À conserver pour consultation par l'inspecteur local des installations électriques.

**Installateur :** Remettre les instructions d'installation au propriétaire.

**Propriétaire :** Conserver les instructions d'installation pour référence ultérieure.

# RANGE SAFETY

## Your safety and the safety of others are very important.

We have provided many important safety messages in this manual and on your appliance. Always read and obey all safety messages.



This is the safety alert symbol.

This symbol alerts you to potential hazards that can kill or hurt you and others.

All safety messages will follow the safety alert symbol and either the word “DANGER” or “WARNING.” These words mean:

**⚠ DANGER**

You can be killed or seriously injured if you don't immediately follow instructions.

**⚠ WARNING**

You can be killed or seriously injured if you don't follow instructions.

All safety messages will tell you what the potential hazard is, tell you how to reduce the chance of injury, and tell you what can happen if the instructions are not followed.

**WARNING: If the information in this manual is not followed exactly, a fire or explosion may result causing property damage, personal injury or death.**

- Do not store or use gasoline or other flammable vapors and liquids in the vicinity of this or any other appliance.
- **WHAT TO DO IF YOU SMELL GAS:**
  - Do not try to light any appliance.
  - Do not touch any electrical switch.
  - Do not use any phone in your building.
  - Immediately call your gas supplier from a neighbor's phone. Follow the gas supplier's instructions.
  - If you cannot reach your gas supplier, call the fire department.
- Installation and service must be performed by a qualified installer, service agency or the gas supplier.

**WARNING:** Gas leaks cannot always be detected by smell.

Gas suppliers recommend that you use a gas detector approved by UL or CSA.

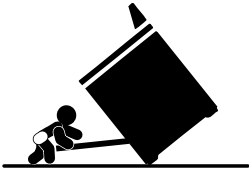
For more information, contact your gas supplier.

If a gas leak is detected, follow the “What to do if you smell gas” instructions.

**IMPORTANT:** Do not install a ventilation system that blows air downward toward this gas cooking appliance. This type of ventilation system may cause ignition and combustion problems with this gas cooking appliance resulting in personal injury or unintended operation.

In the State of Massachusetts, the following installation instructions apply:

- Installations and repairs must be performed by a qualified or licensed contractor, plumber, or gasfitter qualified or licensed by the State of Massachusetts.
- If using a ball valve, it shall be a T-handle type.
- A flexible gas connector, when used, must not exceed 3 feet.



## ⚠ WARNING

### Tip Over Hazard

**A child or adult can tip the range and be killed.**

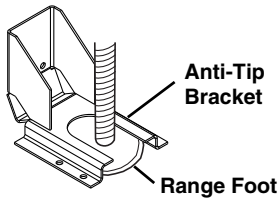
**Install anti-tip bracket to floor or wall per installation instructions.**

**Slide range back so rear range foot is engaged in the slot of the anti-tip bracket.**

**Re-engage anti-tip bracket if range is moved.**

**Do not operate range without anti-tip bracket installed and engaged.**

**Failure to follow these instructions can result in death or serious burns to children and adults.**



To verify the anti-tip bracket is installed and engaged:

- Slide range forward.
- Look for the anti-tip bracket securely attached to floor or wall.
- Slide range back so rear range foot is under anti-tip bracket.
- See installation instructions for details.

## INSTALLATION REQUIREMENTS

### Tools and Parts

Gather the required tools and parts before starting installation. Read and follow the instructions provided with any tools listed here.

#### Tools needed

- Tape measure
- #2 Phillips screwdriver
- 1/8" x 4 1/4" flat-blade screwdriver
- Level
- Drill
- Wrench or pliers
- Pipe wrench
- Adjustable wrench or 5/8" wrench
- 3/8" drive ratchet
- 1/8" drill bit
- 15/16" combination wrench
- 1/4", 3/8", 5/16" nut drivers
- 3/16" carbide tip masonry bit
- Marker or pencil
- Pipe-joint compound resistant to LP gas
- Noncorrosive leak-detection solution
- Tubing cutter

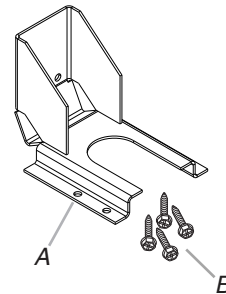
#### For LP/Natural Gas Conversions

- Adjustable wrench
- 1/2" deep-well socket
- 7 mm nut driver
- Masking tape

#### Parts supplied

Check that all parts are included.

- Anti-tip bracket kit



A. Anti-tip bracket  
B. #8-18 x 1" Phillips head screws (4)

**NOTE:** Anti-tip bracket must be securely mounted to subfloor. Thickness of flooring may require longer screws to anchor bracket to subfloor. Longer screws are available from your local hardware store. See "Install Anti-Tip Bracket" section.

- Gas pressure regulator
- Burner grates
- Burner bases and burner caps
- Griddle drip tray (on griddle models)
- LP orifice package (W10393336)
- Conversion label (8114P522-60)

**NOTE:** The cooktop is manufactured for use with Natural gas. To convert to LP gas, see the "Gas Conversions" section.

## Parts needed

All models must be installed with a backguard if installing at zero clearance to a combustible backwall. See “Cabinet Dimensions” in the “Location Requirements” section for installation requirements.

- 30" (76.2 cm) Adjustable Backguard  
Order Part Number 8285148
- 36" (91.4 cm) Adjustable Backguard  
Order Part Number 8284756
- 48" (121.9 cm) Adjustable Backguard  
Order Part Number 8284755
- 22" (55.9 cm) Backsplash with Dual-Position Shelf for 30" (76.2 cm) Ranges  
Order Part Number W10285447
- 22" (55.9 cm) Backsplash with Dual-Position Shelf for 36" (91.4 cm) Ranges  
Order Part Number W10285448
- 22" (55.9 cm) Backsplash with Dual-Position Shelf for 48" (121.9 cm) Ranges  
Order Part Number W10285449

To order, see the “Assistance or Service” section of the Use and Care Guide.

Check local codes and consult gas supplier. Check existing gas supply and electrical supply. See “Electrical Requirements” and “Gas Supply Requirements” sections.

It is recommended that all electrical connections be made by a licensed, qualified electrical installer.

---

## High Altitude Conversion

---

To convert the range for elevations above 6,560 ft (1999.5 m), order a High Altitude Conversion Kit.

- Part Number W10394294 - LP high altitude
- Part Number W10394293 - Natural gas high altitude

To order, see the “Assistance or Service” section of the Use and Care Guide.

---

## Location Requirements

**IMPORTANT:** Observe all governing codes and ordinances. Do not obstruct flow of combustion and ventilation air.

- It is the installer’s responsibility to comply with installation clearances specified on the model/serial rating plate. The model/serial rating plate is located under the console on the right-hand side.
- It is recommended that a 600 CFM or larger range hood be installed above the range.
- It is not recommended that a microwave hood combination be mounted above the range.
- Recessed installations must provide complete enclosure of the sides and rear of the range.
- To eliminate the risk of burns or fire by reaching over heated surface units, cabinet storage space located above the surface units should be avoided. If cabinet storage is to be provided, the risk can be reduced by installing a range hood that projects horizontally a minimum of 5" (12.7 cm) beyond the bottom of the cabinets.
- All openings in the wall or floor where range is to be installed must be sealed.
- Do not seal the range to the side cabinets.
- Cabinet opening dimensions that are shown must be used. Given dimensions are minimum clearances.
- The anti-tip bracket must be installed. To install the anti-tip bracket shipped with the range, see “Install Anti-Tip Bracket” section.

- Grounded electrical supply is required. See “Electrical Requirements” section.
- Proper gas supply connection must be available. See “Gas Supply Requirements” section.
- Contact a qualified floor covering installer to check that the floor covering can withstand at least 200°F (93°C). Use an insulated pad or ¼" (0.64 cm) plywood over carpet and under range if installing range over carpeting.

**IMPORTANT:** To avoid damage to your cabinets, check with your builder or cabinet supplier to make sure that the materials used will not discolor, delaminate or sustain other damage. This oven has been designed in accordance with the requirements of UL and CSA International and complies with the maximum allowable wood cabinet temperatures of 194°F (90°C).

## Mobile Home - Additional Installation Requirements

The installation of this range must conform to the Manufactured Home Construction and Safety Standard, Title 24 CFR, Part 3280 (formerly the Federal Standard for Mobile Home Construction and Safety, Title 24, HUD Part 280). When such standard is not applicable, use the Standard for Manufactured Home Installations, ANSI A225.1/NFPA 501A or with local codes.

In Canada, the installation of this range must conform with the current standards CAN/CSA-A240-latest edition, or with local codes.

## Mobile home installations require:

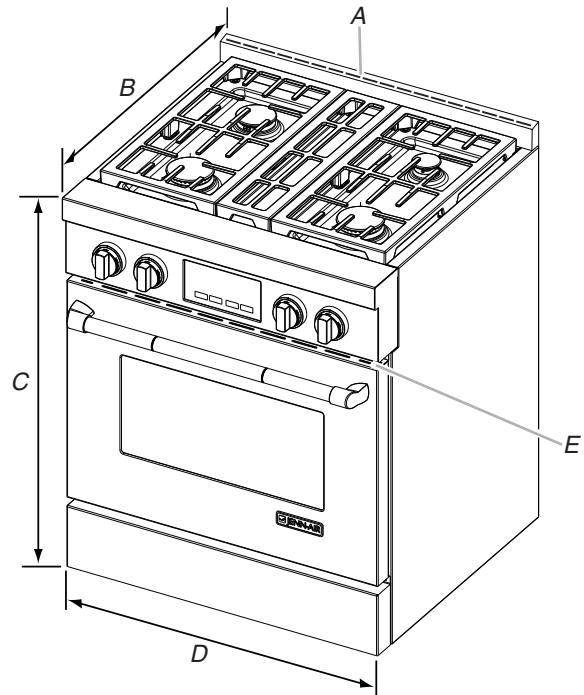
- When this range is installed in a mobile home, it must be secured to the floor during transit. Any method of securing the range is adequate as long as it conforms to the standards listed above.

---

## Product Dimensions

---

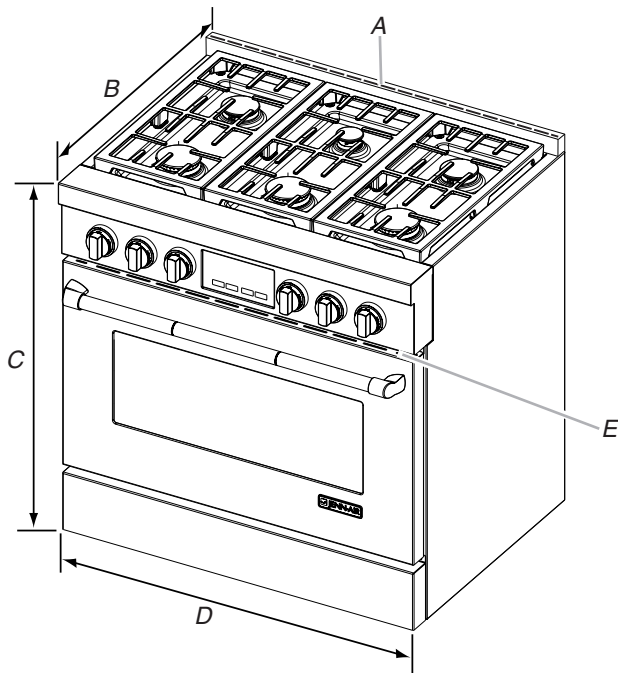
### 30" (76.2 cm) models



- A. Island trim
- B. 27¾" (70.5 cm) depth with control panel, see NOTE\*
- C. 35¾" (89.6 cm) cooktop height when setting on the wheels
- D. 30" (76.2 cm) width
- E. Model/serial rating plate location

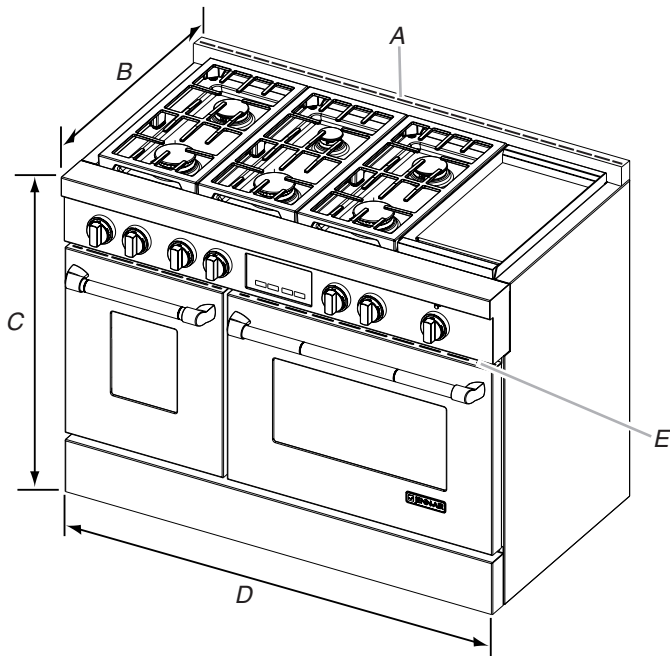


## 36" (91.4 cm) models



- A. Island trim
- B. 27 1/8" (68.9 cm) depth with control panel, see NOTE\*
- C. 35 3/4" (90.2 cm) cooktop height when setting on the wheels
- D. 36" (91.4 cm) width
- E. Model/serial rating plate location

## 48" (121.9 cm) models



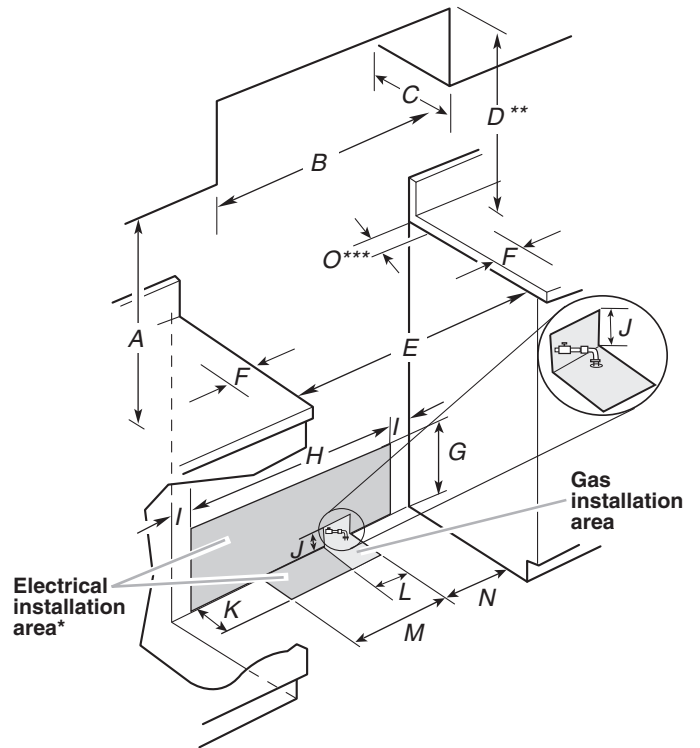
- A. Island trim
- B. 27 1/8" (68.9 cm) depth with control panel, see NOTE\*
- C. 35 3/4" (90.2 cm) cooktop height when setting on the wheels
- D. 48" (121.9 cm) width
- E. Model/serial rating plate location

**\*NOTE:** When installed in a 24" (61.0 cm) base cabinet with 25" (63.5 cm) countertop; front of oven door protrudes 1 7/8" (4.8 cm) beyond 24" (61.0 cm) base cabinet.

## Cabinet Dimensions

Cabinet opening dimensions shown are for 25" (64 cm) countertop depth, 24" (61 cm) base cabinet depth and 36" (91.4 cm) countertop height. Dimensions must be met in order to ensure a flush fit to backwall.

**IMPORTANT:** If installing with a range hood or hood liner above the range, follow the range hood or hood liner installation instructions for dimensional clearances above the cooktop surface.



- A. 18" (45.7 cm) upper cabinet to countertop
- B. 30" (76.2 cm) model: 30" (76.2 cm) min. upper cabinet width  
36" (91.4 cm) model: 36" (91.4 cm) min. upper cabinet width  
48" (121.9 cm) model: 48" (121.9 cm) min. upper cabinet width
- C. 13" (33 cm) max. upper cabinet depth
- D. For minimum clearance to top of range, see NOTE\*\*.
- E. 30 1/4" (76.8 cm) on 30" (76.2 cm) models  
36 1/4" (92.1 cm) on 36" (91.4 cm) models  
48 1/4" (122.6 cm) on 48" (121.9 cm) models
- F. 6" (15.2 cm) min. clearance from both sides of range to side wall or other combustible material
- G. 15" (38.1 cm)
- H. 22" (55.9 cm) on 30" (76.2 cm) models  
28" (71.1 cm) on 36" (91.4 cm) models  
40" (101.6 cm) on 48" (121.9 cm) models
- I. 1 1/2" (3.8 cm)
- J. 3" (7.6 cm)
- K. 5" (12.7 cm)
- L. 6" (15.2 cm) on 30" (76.2 cm) models  
14" (35.5 cm) on 36" (91.4 cm) models  
24" (61.0 cm) on 48" (121.9 cm) models
- M. 10 1/2" (26.7 cm)
- N. 6" (15.2 cm)
- O. 6" (15.2 cm), see NOTE\*\*\*

\***NOTE:** Receptacle must be rotated 90° for Canadian installation.

**\*\*NOTE: Minimum Clearances**

**30" (76.2 cm) models:** 30" (76.2 cm) minimum clearance between the top of the cooking platform and the bottom of an uncovered wood or metal cabinet.

**36" (91.4 cm) models:** 42" (106.7 cm) minimum clearance between the top of the cooking platform and the bottom of an uncovered wood or metal cabinet.

**48" (121.9 cm) models:** 42" (106.7 cm) minimum clearance between the top of the cooking platform and the bottom of an uncovered wood or metal cabinet.

**\*\*\*NOTE:** If backwall is constructed of a combustible material and a backguard is not installed, a 6" (15.2 cm) minimum clearance is required for all models.

## Electrical Requirements

### **⚠ WARNING**



#### Electrical Shock Hazard

**Plug into a grounded 3 prong outlet.**

**Do not remove ground prong.**

**Do not use an adapter.**

**Do not use an extension cord.**

**Failure to follow these instructions can result in death, fire, or electrical shock.**

**IMPORTANT:** The range must be electrically grounded in accordance with local codes and ordinances, or in the absence of local codes, with the National Electrical Code, ANSI/NFPA 70 or Canadian Electrical Code, CSA C22.1.

If codes permit and a separate ground wire is used, it is recommended that a qualified electrical installer determine that the ground path is adequate.

A copy of the above code standards can be obtained from:

National Fire Protection Association  
1 Batterymarch Park  
Quincy, MA 02169-7471

CSA International  
8501 East Pleasant Valley Road  
Cleveland, OH 44131-5575

- A 120 volt, 60 Hz., AC only, 15-amp fused, electrical circuit is required. A time-delay fuse or circuit breaker is also recommended. It is recommended that a separate circuit serving only this range be provided.
- Electronic ignition systems operate within wide voltage limits, but proper grounding and polarity are necessary. Check that the outlet provides 120-volt power and is correctly grounded.
- The wiring diagram is located behind the kick plate in a clear plastic bag.

## Gas Supply Requirements

### **⚠ WARNING**



#### Explosion Hazard

**Use a new CSA International approved gas supply line.**

**Install a shut-off valve.**

**Securely tighten all gas connections.**

**If connected to LP, have a qualified person make sure gas pressure does not exceed 14" (36 cm) water column.**

**Examples of a qualified person include:**

**licensed heating personnel,  
authorized gas company personnel, and  
authorized service personnel.**

**Failure to do so can result in death, explosion, or fire.**

Observe all governing codes and ordinances.

**IMPORTANT:** This installation must conform with all local codes and ordinances. In the absence of local codes, installation must conform with American National Standard, National Fuel Gas Code ANSI Z223.1/NFPA 54 - latest edition or CAN/CGA B149 - latest edition.

**IMPORTANT:** Range must be connected to a regulated gas supply.

**IMPORTANT:** Leak testing of the range must be conducted according to the manufacturer's instructions.

### Type of Gas

#### Natural Gas:

This range is design-certified by CSA International for use with Natural gas or, after proper conversion, for use with LP gas.

- This range is factory set for use with Natural gas. The model/serial rating plate located under the console on the right-hand side has information on the types of gas that can be used. If the types of gas listed do not include the type of gas available, check with the local gas supplier.

#### LP Gas conversion:

Conversion must be done by a qualified service technician.

No attempt shall be made to convert the range from the gas specified on the model/serial rating plate for use with a different gas without consulting the serving gas supplier. To convert to LP gas, use the LP gas conversion kit provided with your range and see the "Gas Conversions" section. The parts for this kit are in the literature package supplied with the range.

---

## Gas Supply Line

---

- Provide a gas supply line of  $\frac{3}{4}$ " (1.9 cm) rigid pipe to the range location. A smaller size pipe on longer runs may result in insufficient gas supply. With LP gas, piping or tubing size can be  $\frac{1}{2}$ " (1.3 cm) minimum. Usually, LP gas suppliers determine the size and materials used in the system.

**NOTE:** Pipe-joint compounds that resist the action of LP gas must be used. Do not use TEFLON<sup>†</sup> tape.

### Flexible metal appliance connector:

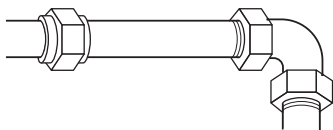
- If local codes permit, a new CSA design-certified, 4 - 5 ft (122 - 152.4 cm) long,  $\frac{5}{8}$ " (1.6 cm) or  $\frac{3}{4}$ " (1.9 cm) I.D., flexible metal appliance connector may be used for connecting range to the gas supply line.



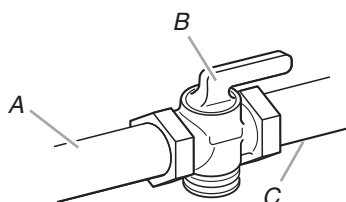
- A  $\frac{1}{2}$ " (1.3 cm) male pipe thread is needed for connection to the female pipe threads of the inlet to the range pressure regulator.
- Do not kink or damage the flexible metal tubing when moving the range.

### Rigid pipe connection:

The rigid pipe connection requires a combination of pipe fittings to obtain an in-line connection to the range. The rigid pipe must be level with the range connection. All strains must be removed from the supply and fuel lines so range will be level and in line.



- Must include a manual shutoff valve: The supply line must be equipped with a manual shutoff valve. This valve should be located in the same room but external to the range opening, such as an adjacent cabinet. It should be in a location that allows ease of opening and closing. Do not block access to shutoff valve. The valve is for turning on or shutting off gas to the range.



A. Gas supply line  
B. Shutoff valve "open" position  
C. To range

---

## Gas Pressure Regulator

---

The gas pressure regulator supplied with this range must be used. The inlet pressure to the regulator should be as follows for proper operation:

### Natural Gas:

Minimum pressure: 6" (15.2 cm) WCP

Maximum pressure: 14" (35.6 cm) WCP

### LP Gas:

Minimum pressure: 11" (27.9 cm) WCP

Maximum pressure: 14" (35.6 cm) WCP

Contact local gas supplier if you are not sure about the inlet pressure.

---

## Burner Input Rating - Altitude

---

Input ratings shown on the model/serial rating plate are for elevations up to 2,000 ft (609.6 m).

For elevations above 2,000 ft (609.6 m), ratings need to be reduced at a rate of 4% for each 1,000 ft (304.8 m).

---

## Gas Supply Pressure Testing

---

Gas supply pressure for testing regulator must be at least 1" water column pressure above the manifold pressure shown on the model/serial rating plate.

### Line pressure testing above $\frac{1}{2}$ psi gauge (14" WCP)

The range and its individual shutoff valve must be disconnected from the gas supply piping system during any pressure testing of that system at test pressures in excess of  $\frac{1}{2}$  psi (3.5 kPa).

### Line pressure testing at $\frac{1}{2}$ psi gauge (14" WCP) or lower

The range must be isolated from the gas supply piping system by closing its individual manual shutoff valve during any pressure testing of the gas supply piping system at test pressures equal to or less than  $\frac{1}{2}$  psi (3.5 kPa).

# INSTALLATION INSTRUCTIONS

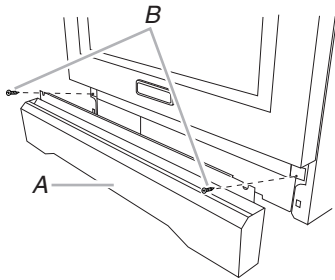
## Unpack Range

### **⚠ WARNING**

#### Excessive Weight Hazard

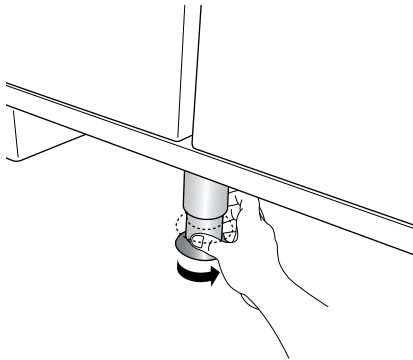
Use two or more people to move and install range.  
Failure to do so can result in back or other injury.

1. Remove shipping materials, tape and film from range. Keep shipping pallet under range. Remove oven racks, grates and parts package from inside oven.
2. Remove screws from kick plate.



A. Kick plate  
B. Remove these screws.

3. Push up on kick plate to release plate from shoulder screws.
4. Lay kick plate to the side to avoid scratching the stainless steel.
5. For 48" (121.9 cm) models only, rotate center support counterclockwise off the pallet until it stops.

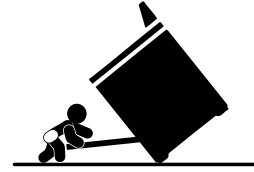


**NOTE:** This support is used only for shipping and is not needed for installation.

6. Lay a piece of cardboard from side packing on the floor behind range. Using 2 or more people, firmly grasp each side of range. Lift range up about 3" (8.0 cm) and move it back until range is off shipping pallet. Set range on cardboard to avoid damaging floor.

## Install Anti-Tip Bracket

### **⚠ WARNING**



#### Tip Over Hazard

A child or adult can tip the range and be killed.

Install anti-tip bracket to floor or wall per installation instructions.

Slide range back so rear range foot is engaged in the slot of the anti-tip bracket.

Re-engage anti-tip bracket if range is moved.

Do not operate range without anti-tip bracket installed and engaged.

Failure to follow these instructions can result in death or serious burns to children and adults.

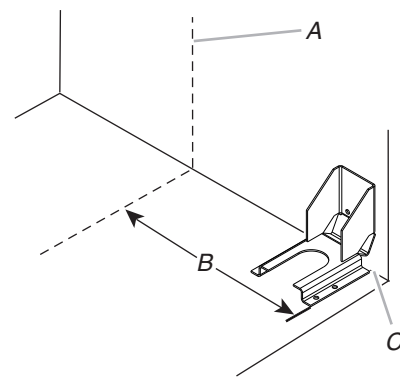
1. Determine which mounting method to use: floor or wall.  
If you have a stone or masonry floor, you can use the wall mounting method.
2. Determine and mark centerline of the cutout space. The mounting bracket must be installed on the right side of the cutout. Position mounting bracket in cutout as shown in the following illustration.

#### Measurement B:

30" (76.2 cm) ranges: 11 $\frac{5}{8}$ " (29.5 cm)  
36" (91.4 cm) ranges: 14 $\frac{5}{8}$ " (37.1 cm)  
48" (121.9 cm) ranges: 20 $\frac{5}{8}$ " (52.4 cm)

#### Measurement C:

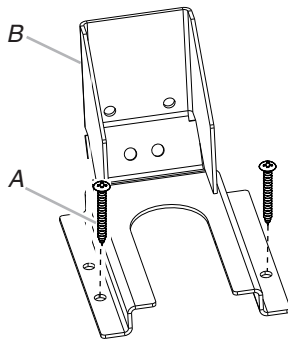
Optional distance from back wall. If back wall is constructed of a combustible material and a backguard is not installed, a 6" (15.2 cm) minimum clearance is required for all models. Install anti-tip bracket accordingly.



A. Centerline  
B. Centerline of cutout to centerline of anti-tip bracket  
C. Back wall to back of range

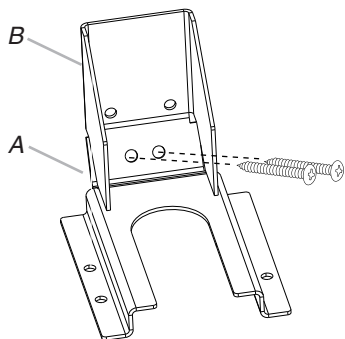
- Drill two 1/8" (3.0 mm) holes that correspond to the bracket holes of the determined mounting method. See the following illustrations.

#### Floor Mounting



A. #12 x 1 5/8" screws  
B. Anti-tip bracket

#### Wall Mounting



A. #12 x 1 5/8" screws  
B. Anti-tip bracket

- Using a Phillips screwdriver, mount anti-tip bracket to the wall or floor with the two #12 x 1 5/8" screws provided.  
Depending on the thickness of your flooring, longer screws may be necessary to anchor the bracket to the subfloor. Longer screws are available from your local hardware store.
- Move range close enough to opening to allow for electrical connections to be made. Remove shipping base, cardboard or hardboard from under range.
- Continue installing your range using the following installation instructions.

## Make Gas Connection

### ⚠ WARNING



#### Explosion Hazard

Use a new CSA International approved gas supply line.  
Install a shut-off valve.

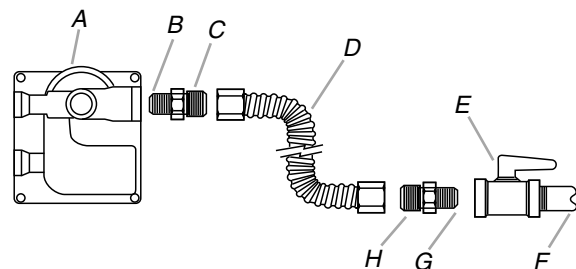
Securely tighten all gas connections.

If connected to LP, have a qualified person make sure gas pressure does not exceed 14" (36 cm) water column.

Examples of a qualified person include:  
licensed heating personnel,  
authorized gas company personnel, and  
authorized service personnel.

Failure to do so can result in death, explosion, or fire.

- Assemble flexible connector from gas supply pipe to pressure regulator located in the middle rear of the range.
- Apply pipe-joint compound made for use with LP gas to the smaller thread ends of the flexible connector adapters (see B and G in the following illustration).
- Attach one adapter to the gas pressure regulator and the other adapter to the gas shutoff valve. Tighten both adapters.
- Use a 1 5/16" combination wrench and channel lock pliers to attach the flexible connector to the adapters. Check that connector is not kinked.

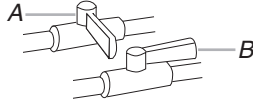


A. Gas pressure regulator  
B. Use pipe-joint compound.  
C. Adapter (must have 1/2" male pipe thread)  
D. Flexible connector

E. Manual gas shutoff valve  
F. 1/2" or 3/4" gas pipe  
G. Use pipe-joint compound.  
H. Adapter

## Complete Connection

1. Open the manual shutoff valve in the gas supply line. The valve is open when the handle is parallel to the gas pipe.



A. Closed valve  
B. Open valve

2. Test all connections by brushing on an approved noncorrosive leak-detection solution. If bubbles appear, a leak is indicated. Correct any leak found.
3. Remove cooktop burner caps, burner bases and grates from parts package. Place burner bases on cooktop, burner caps on burner bases and place grates over burners and caps.

## ⚠ WARNING



### Electrical Shock Hazard

Plug into a grounded 3 prong outlet.

Do not remove ground prong.

Do not use an adapter.

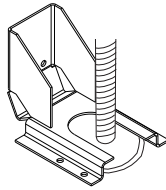
Do not use an extension cord.

Failure to follow these instructions can result in death, fire, or electrical shock.

4. Plug into a grounded 3 prong outlet.
5. Turn on power supply. For further information, please refer to the user instructions located in the Use and Care Guide.

## Verify Anti-Tip Bracket Location

1. Turn all 4 leveling rods 1 full turn to raise the range and provide enough clearance for the rear leveling leg to slide into the anti-tip bracket.

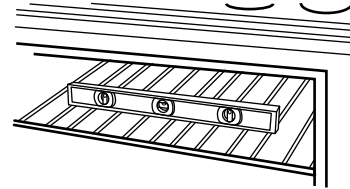


2. Move range into its final location making sure rear leveling leg slides into anti-tip bracket.
3. Use a flashlight to look underneath the bottom of the range and visually check that the rear range foot is inserted into the slot of the anti-tip bracket.

## Level Range

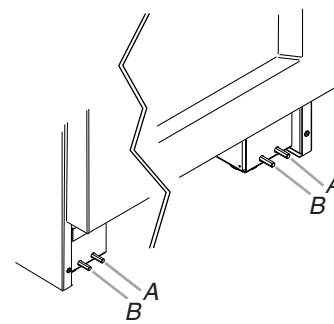
**NOTE:** Range must be level for satisfactory baking performance.

1. Place rack in oven.
2. Place level on rack and check levelness of the range, first side to side; then front to back.



3. If range is not level, adjust the leveling rods. Turn leveling rods located behind the kick plate to level range and to raise or lower range to the desired countertop height.

**NOTE:** All roller feet must be off the floor upon final installation.

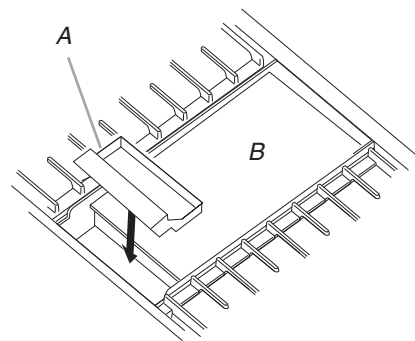


A. Front leveling rod  
B. Rear leveling rod

## Install Griddle (on griddle models)

The griddle is factory installed.

1. Place drip tray in the well at the front of the griddle. Slide tray toward the back until it stops.



A. Griddle drip tray  
B. Griddle

2. Clean griddle before using. Refer to the Use and Care Guide.

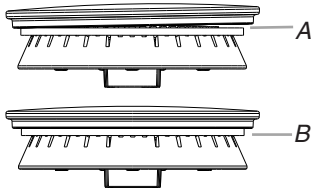


# Electronic Ignition System

## Install Burner Bases and Burner Caps

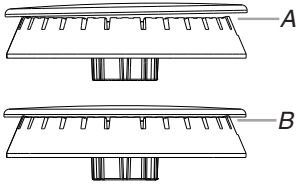
Install the burner base, making sure the igniter electrode is properly aligned with the base. Place burner caps on top of burner bases. If burner caps are not properly positioned, surface burners will not light.

### 20,000 Btu/h Ultra Power™ Dual-Flame Burner



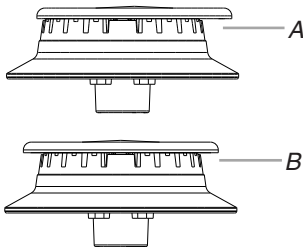
A. Incorrect  
B. Correct

### 15,000 Btu/h Professional Burner



A. Incorrect  
B. Correct

### 5,000 Btu/h Simmer/Melt Burner



A. Incorrect  
B. Correct

## Initial Lighting and Gas Flame Adjustments

Cooktop burners use electronic igniters in place of standing pilots. When the cooktop control knob is turned to any position, the system creates a spark to light the burner. This sparking continues until the flame is lit or the knob is turned to Off.

### Check Operation of Cooktop Burners

Push in and turn each control knob to LITE.

The surface burners and grill flames should light within 4 seconds. The first time a burner is lit, it may take longer than 4 seconds to light because of air in the gas line.

After verifying the proper burner operation, turn the control knobs to OFF.

#### If burners do not light properly:

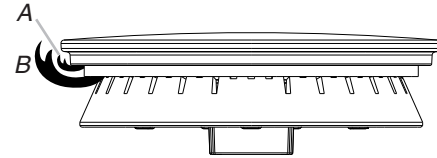
- Turn cooktop control knob to OFF.
- Check that the range is plugged in and the circuit breaker has not tripped or the fuse has not blown.
- Check that the gas shutoff valves are set to the “open” position.
- Check that burner caps are properly positioned on burner bases.

Repeat start-up. If a burner does not light at this point, contact your dealer or authorized service company for assistance.

### Flame Height

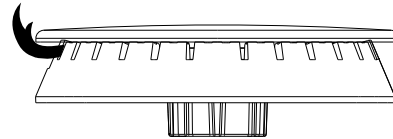
The cooktop flame should be a steady blue flame approximately ¼" (0.64 cm) high.

## Dual Flame Burner



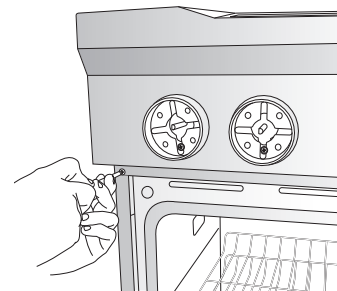
A. Upper (simmer) flame  
B. Lower flame

## Single Flame Burner



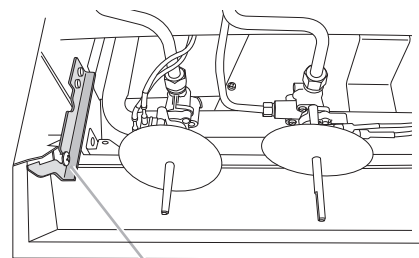
### To Adjust Flame Height:

1. Unplug range or disconnect power.
2. Remove burner grates.
3. Remove the control knobs.
4. Open the oven door and remove the 2 screws on each side of the range that hold the control console in place.



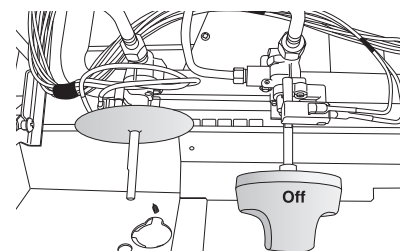
**NOTE:** Make sure to leave oven door open or the control console will not rest in the side brackets properly once it is detached.

5. Pull up on the control console and let it drop forward into the notched console brackets on each side.

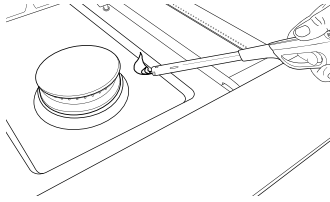


A. Control console bracket

6. Remove the round gasket from the valve stem.
7. Put a control knob onto the valve stem of the burner you want to adjust.

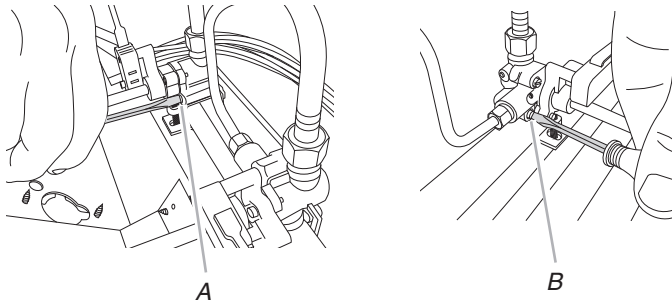


- Turn the control knob to LO and using a butane extension lighter, light the burner.



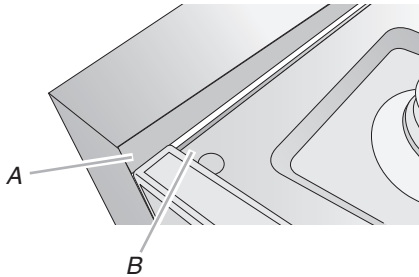
- Remove the control knob.
- Use a 1/8" x 4 1/4" flat-blade screwdriver to adjust the flame height. Tighten screw to reduce flame height. Loosen screw to increase flame height.

**NOTE:** When you are converting to LP gas, the screw should be tightened down completely on the single output valves. The dual output valve should not be adjusted.



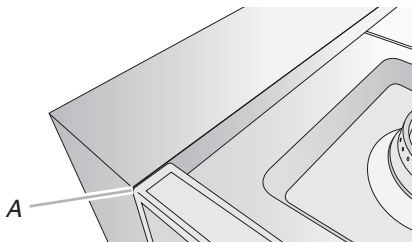
A. Single flame burner adjustment screw (on right side of valve)  
B. Dual flame burner adjustment screw (on left side of valve)

- When finished adjusting the flame height, put a control knob back onto the valve stem and turn off the burner.
- Remove the control knob.
- Replace the round gasket.
- Repeat steps 6 through 13 for any other burners that need adjustment.
- Lift up on the control console and set it back into place. For a proper fit, the flange of the control console must hook over the lip on the front of the range cooktop.



A. Control console flange  
B. Front lip of range cooktop

- Check that the control console is flush with the top edge of the range.



A. Flush with range top

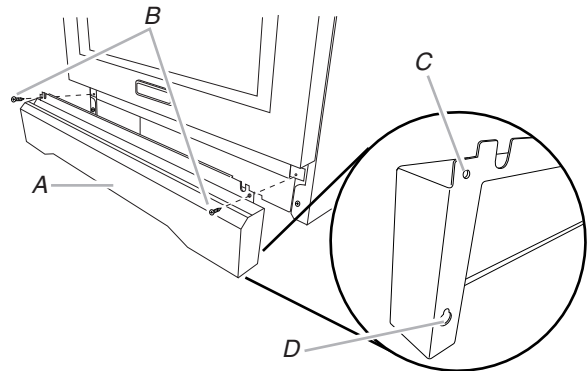
- Replace the 2 screws on each side of the control console.

12

- Replace the control knobs.
- Replace burner grates.
- Test the flame by turning the control from LO to HI, checking the flame at each setting.

## Reinstall Kick Plate

- Align shoulder screw mounting holes with shoulder screws on range.
- Push kick plate down against front of range until the top screw holes are aligned with the mounting holes on the front of the range.
- Reattach screws to the top of the kick plate.



A. Kick plate  
B. Reattach these screws.  
C. Top screw hole  
D. Shoulder screw mounting hole

## Complete Installation

- Check that all parts are now installed. If there is an extra part, go back through the steps to see which step was skipped.
- Check that you have all of your tools.
- Dispose of/recycle all packaging materials.
- For oven use and cleaning, read the Use and Care Guide.

### Check Operation of Oven Bake Burner(s)

- Remove the oven racks and bake burner cover and set them aside on a covered surface.
- Start a Bake cycle. See the Use and Care Guide for operating instructions.

The oven bake burner should light within 8 seconds. Under certain conditions it may take the burner up to 60 seconds to light.

Electronic igniters are used to light the bake burners.

**NOTE:** No adjustments can be made to the bake flames.

### Check Operation of Oven Broil Burner

- Remove the oven racks and set them aside on a covered surface.
- Start a Broil cycle. See the Use and Care Guide for operating instructions.

The oven broil burner should light within 8 seconds. Under certain conditions it may take the burner up to 60 seconds to light.

Electronic igniters are used to light the broil burner.

**NOTE:** No adjustments can be made to the broil flames.

### If you need Assistance or Service:

Please reference the "Assistance or Service" section of the Use and Care Guide or contact the dealer from whom you purchased your range.

# GAS CONVERSIONS

**IMPORTANT:** Gas conversions from Natural gas to LP gas must be done by a qualified installer.

## ⚠️ WARNING



### Explosion Hazard

Use a new CSA International approved gas supply line.

Install a shut-off valve.

Securely tighten all gas connections.

If connected to LP, have a qualified person make sure gas pressure does not exceed 14" (36 cm) water column.

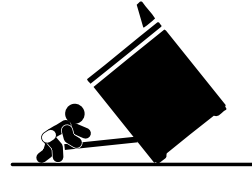
Examples of a qualified person include:

licensed heating personnel,  
authorized gas company personnel, and  
authorized service personnel.

Failure to do so can result in death, explosion, or fire.

## LP Gas Conversion

## ⚠️ WARNING



### Tip Over Hazard

A child or adult can tip the range and be killed.

Install anti-tip bracket to floor or wall per installation instructions.

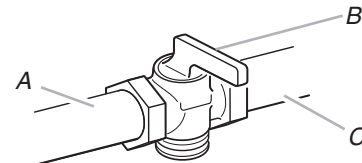
Slide range back so rear range foot is engaged in the slot of the anti-tip bracket.

Re-engage anti-tip bracket if range is moved.

Do not operate range without anti-tip bracket installed and engaged.

Failure to follow these instructions can result in death or serious burns to children and adults.

1. Turn the manual shutoff valve to the closed position.

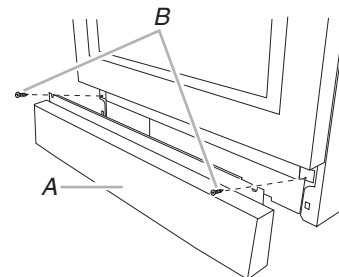


- A. To range  
B. Shutoff valve (closed position)  
C. Gas supply line

2. Unplug range or disconnect power.

## To Convert Gas Pressure Regulator

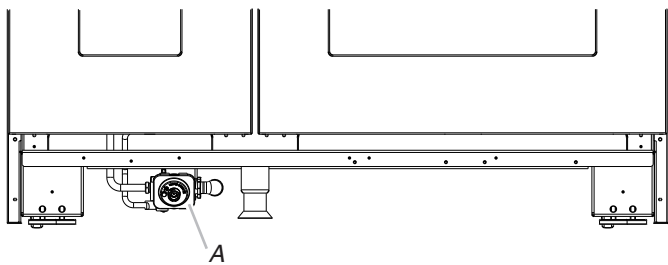
1. Remove screws from kick plate.



- A. Kick plate  
B. Remove these screws.

2. Push up on kick plate to release plate from shoulder screws.
3. Gently lay kick plate aside to avoid scratching the stainless steel.

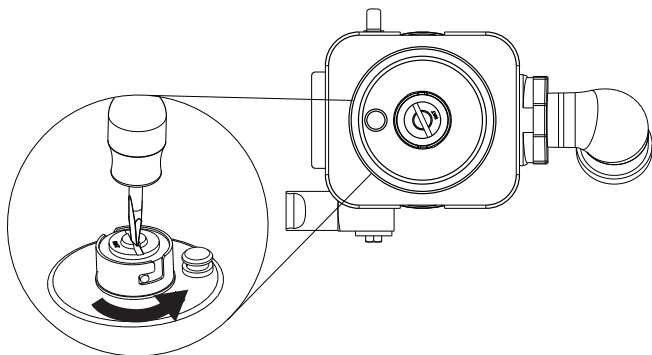
4. Locate the gas pressure regulator at the left rear of the range.



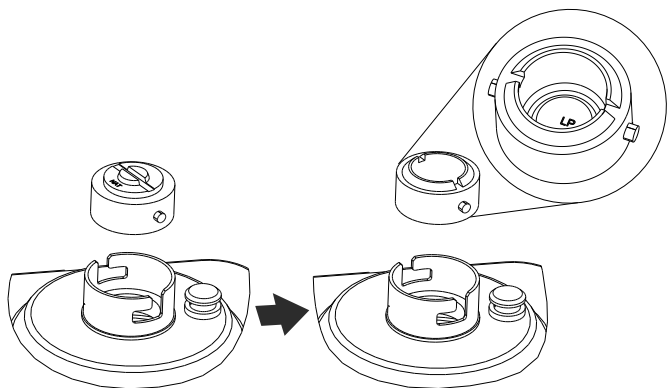
A. Gas pressure regulator

5. Remove the gas pressure regulator cap by using a large flat-blade screwdriver, turning the regulator cap counterclockwise.

**NOTE:** Do not remove the spring beneath the cap.



6. Turn over the gas pressure regulator cap and reinstall on the regulator so that the hollow end faces out and the letters "LP" are visible.



7. Tighten the gas pressure regulator cap by using a large flat-blade screwdriver, turning the regulator cap clockwise.
8. Test the gas pressure regulator and gas supply line.  
The regulator must be checked at a minimum 1" (2.5 cm) water column above the set pressure. The inlet pressure to the regulator should be as follows for operation and checking the regulator setting:

**LP Gas:**

Minimum pressure 11" (27.9 cm) WCP  
Maximum pressure 14" (35.6 cm) WCP.

**Gas Supply Pressure Testing**

Gas supply pressure for testing regulator must be at least 1" water column pressure above the manifold pressure shown on the model/serial rating plate.

**Line pressure testing above ½ psi gauge (14" WCP)**

The range and its individual shutoff valve must be disconnected from the gas supply piping system during any pressure testing of that system at test pressures in excess of ½ psi (3.5 kPa).

**Line pressure testing at ½ psi gauge (14" WCP) or lower**

The range must be isolated from the gas supply piping system by closing its individual manual shutoff valve during any pressure testing of the gas supply piping system at test pressures equal to or less than ½ psi (3.5 kPa).

**To Convert Oven Bake Burner (30" [76.2 cm] and 36" [91.4 cm] models and the Right Oven Cavity on 48" [121.9 cm] models)**

1. Remove oven racks and the extendable roller rack from inside the oven cavity. See the "Extendable Roller Rack" section in the Use and Care Guide.

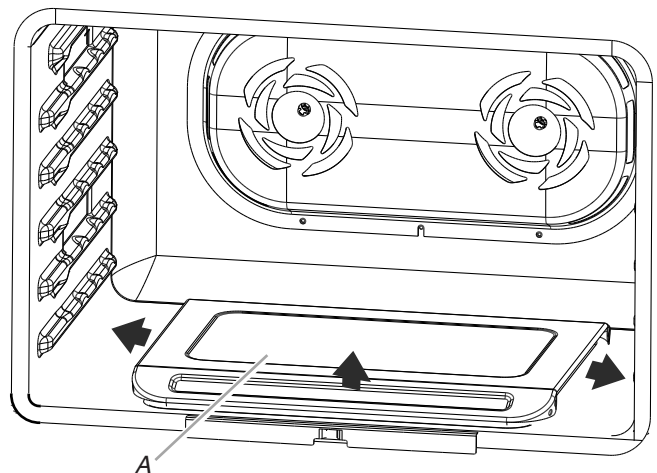
**⚠ WARNING**

**Excessive Weight Hazard**

**Use two or more people to move and install oven doors.**

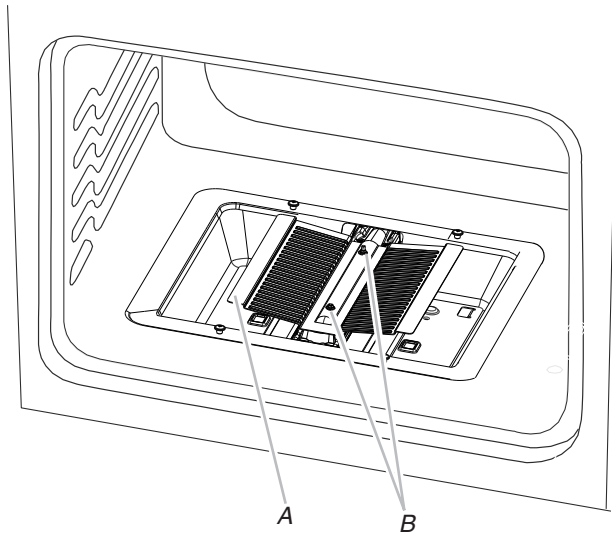
**Failure to do so can result in back or other injury.**

2. Remove the oven door. See the "Oven Door" section in the Use and Care Guide.
3. Slide the bake burner cover to the right or left.



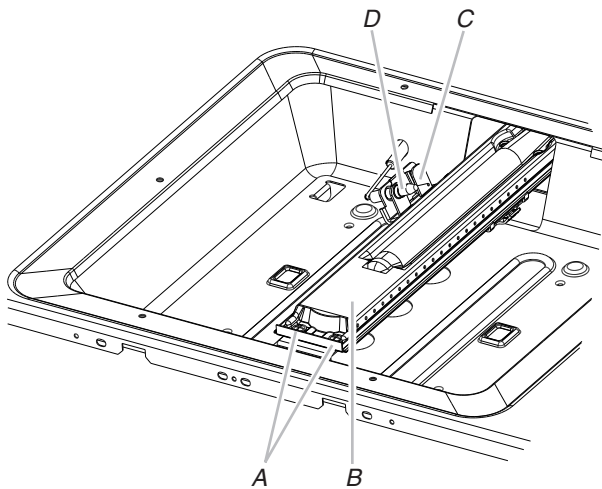
A. Bake burner cover

4. Lift up and remove oven bake burner cover and set aside.
5. Unscrew oven baffle nuts and remove oven baffle. Set aside.



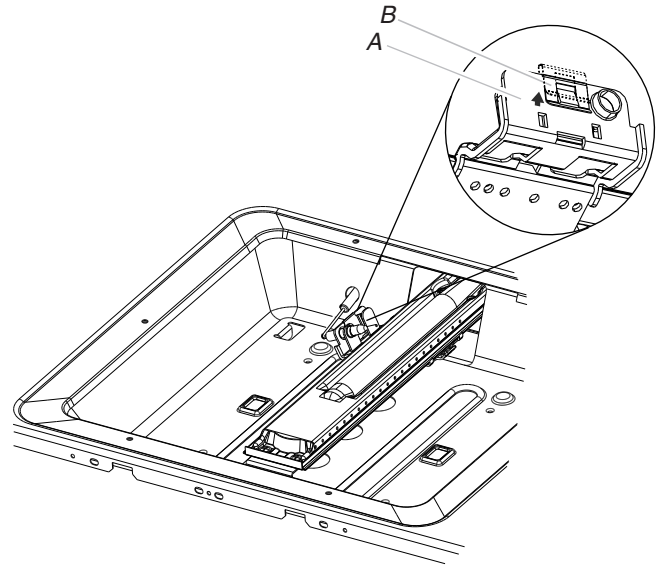
A. Oven baffle  
B. Oven baffle nuts

6. Remove the oven bake burner screws and oven bake burner and gently set aside.



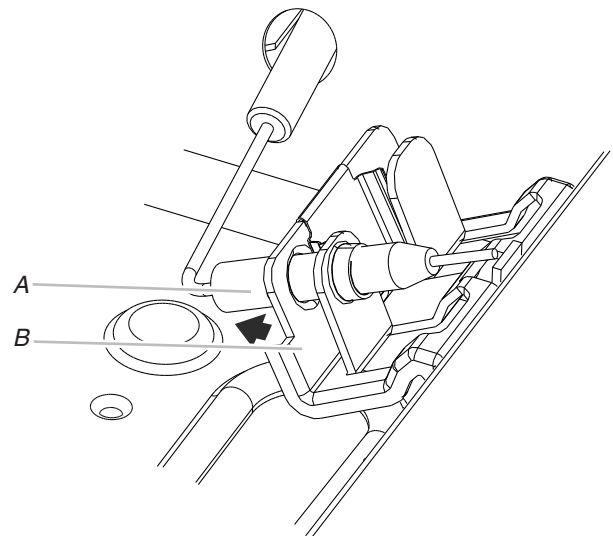
A. Oven bake burner screws  
B. Oven bake burner  
C. Oven bake burner electrode bracket  
D. Oven bake burner electrode

7. Lift up clip on the oven bake burner electrode bracket with a finger or flat-blade screwdriver.



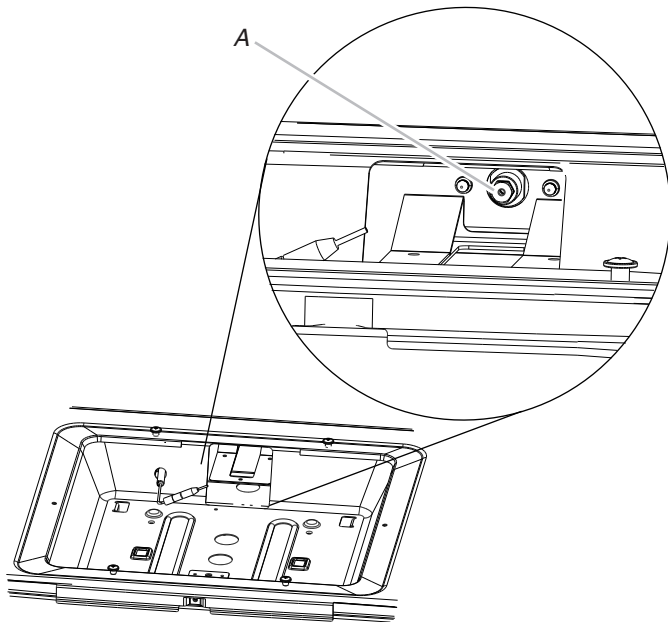
A. Oven bake burner electrode bracket  
B. Electrode bracket clip

8. Pull electrode out of bracket.



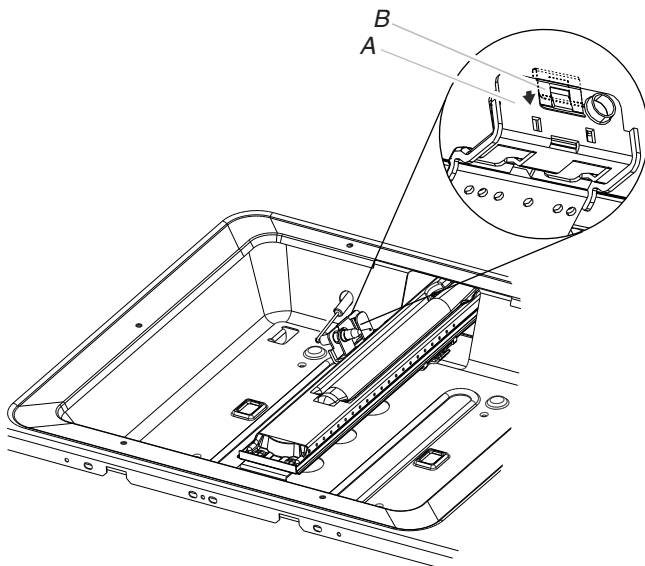
A. Grasp electrode here.  
B. Bracket

- Apply masking tape to the end of a 7 mm nut driver to help hold the gas orifice spud in the nut driver while changing it. Insert nut driver into the gas opening and press down onto the gas orifice spud and remove by turning the gas orifice spud counterclockwise and lifting out. Set gas orifice spud aside.



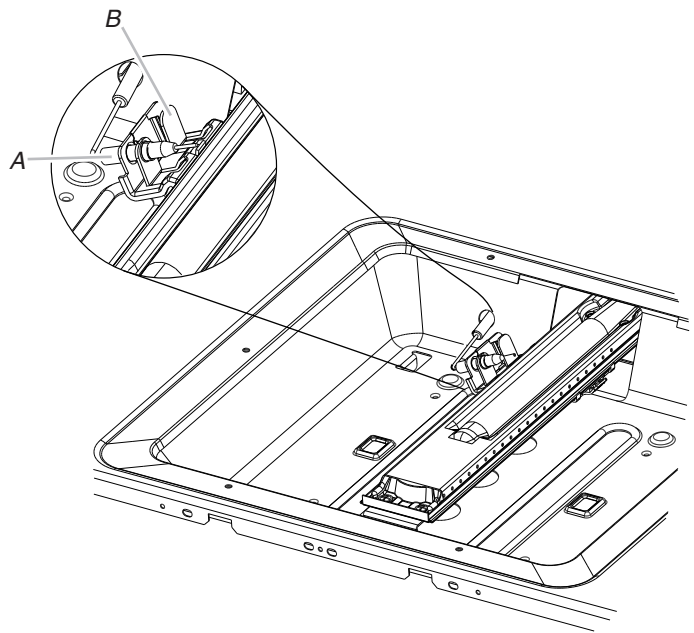
A. Gas orifice spud

- Gas orifice studs are stamped with a letter and a number. Install the Number 125 oven bake burner orifice spud.
- Place Natural gas orifice in plastic parts bag for future use and keep with package containing literature.
- Push down on the clip on the electrode bracket.



A. Oven bake burner electrode bracket  
B. Electrode bracket clip

- Replace oven bake burner electrode inside bracket.

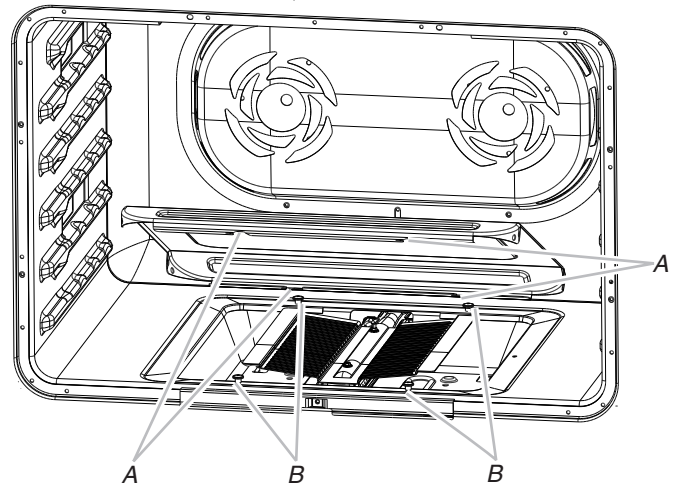


A. Oven bake burner electrode  
B. Oven bake burner electrode bracket

- Reinstall the oven bake burner and oven bake burner screws. See Step 6 for illustration.
- Replace oven baffle and oven baffle nuts.

### Replace Oven Bake Burner Cover

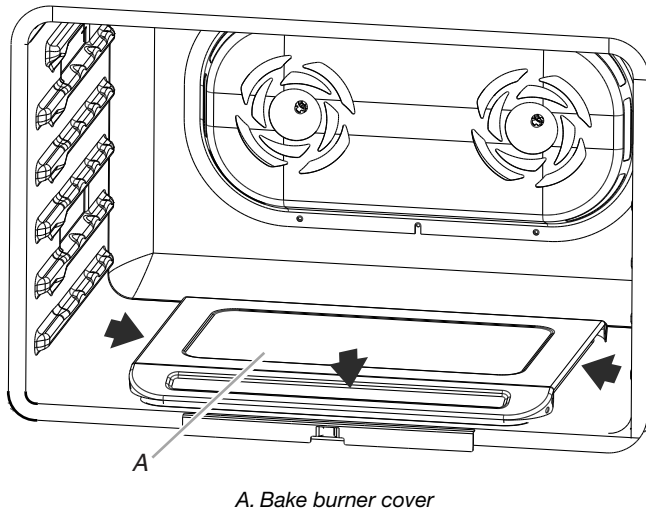
- Align notches on the oven bake burner cover with shoulder screws in the bottom of the oven.



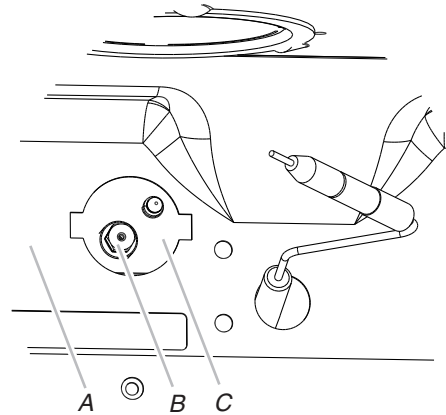
A. Cover notches (4)  
B. Shoulder screws (4)



- Lower cover and slide to left or right to slide shoulder screws into the narrow ends of the notches and lock into place.

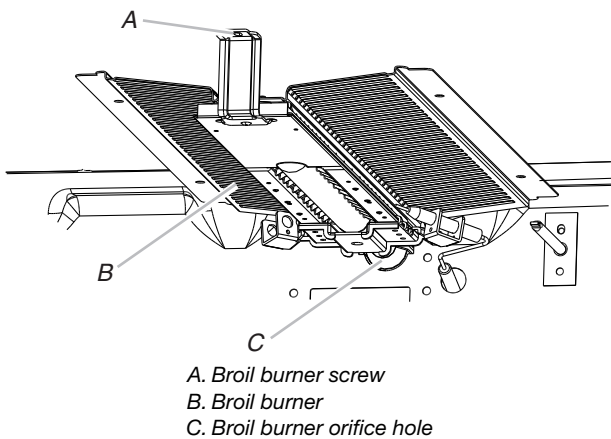


- Apply masking tape to the end of a 7 mm nut driver to help hold the gas orifice spud in the nut driver while changing it. Insert nut driver into the gas opening and press down onto the gas orifice spud and remove by turning the gas orifice spud counterclockwise and lifting out. Set gas orifice spud aside.

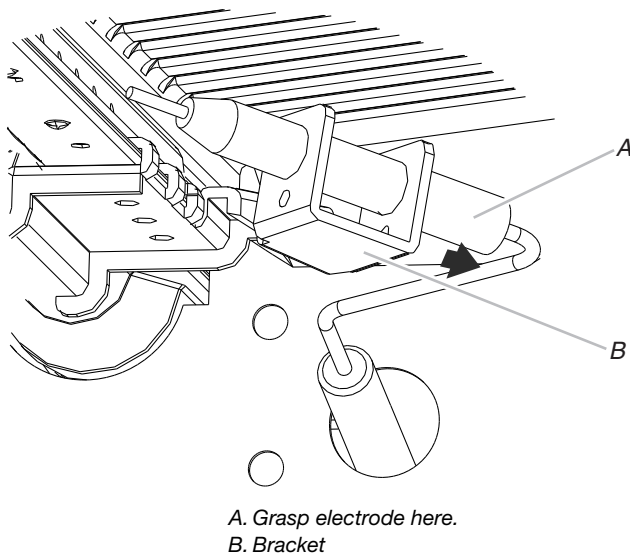


### To Convert Oven Broil Burner (30" [76.2 cm] and 36" [91.4 cm] models and the Right Oven Cavity on 48" [121.9 cm] models)

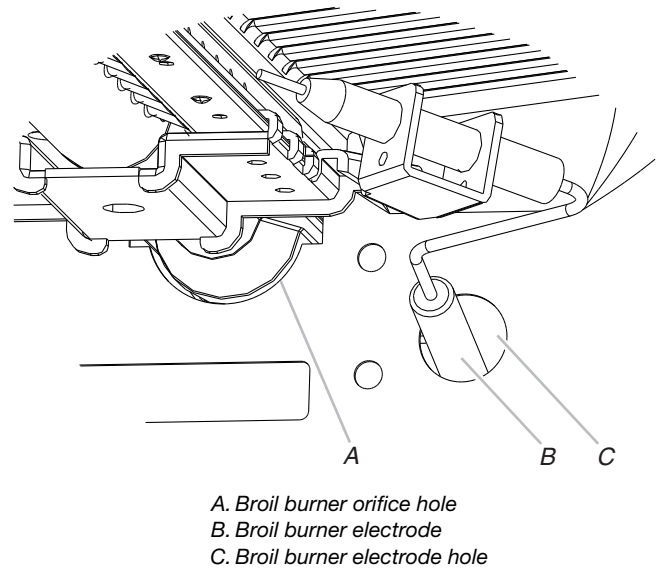
- Remove broil burner screw and set aside.



- Pull the broil burner toward you until it slides out of the hole in the oven back, and pull the electrode out of the bracket. The broil burner will hang down in the back of the oven while you change the orifice.



- Gas orifice studs are stamped with a letter and a number. Install the Number 97 oven broil burner orifice spud.
- Place Natural gas orifice in plastic parts bag for future use and keep with package containing literature.
- Replace the broil burner in the hole in the oven back, with the broil burner electrode inside the broil burner electrode hole, as illustrated.

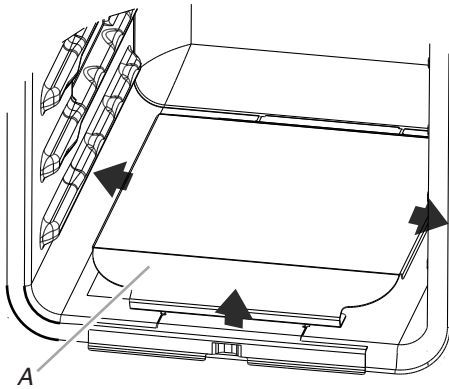


- Reinstall the oven broil burner screw. See Step 1 for illustration.

### To Convert Oven Bake Burner (Left Oven Cavity on 48" [121.9 cm] models)

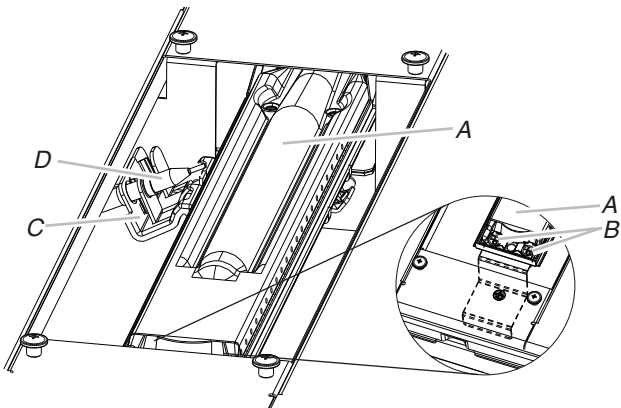
- Remove oven racks.
- Remove the oven door. See the "Oven Door" section in the Use and Care Guide.

3. Slide the bake burner cover to the right or left.



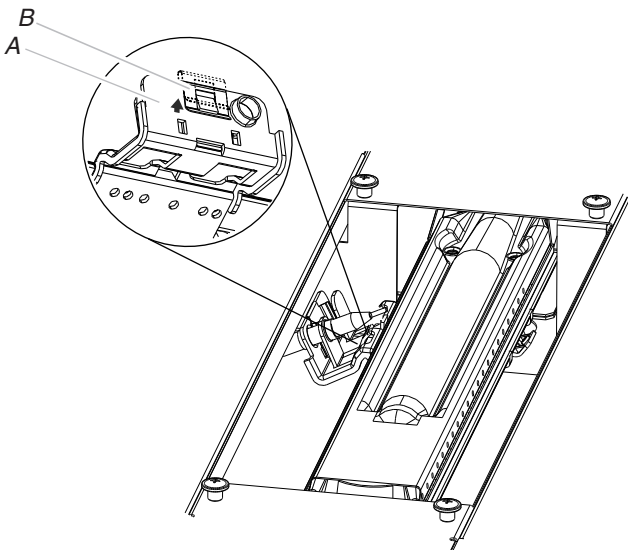
A. Bake burner cover

4. Lift up and remove oven bake burner cover and set aside.
5. Remove the oven bake burner screws and oven bake burner and gently set aside.



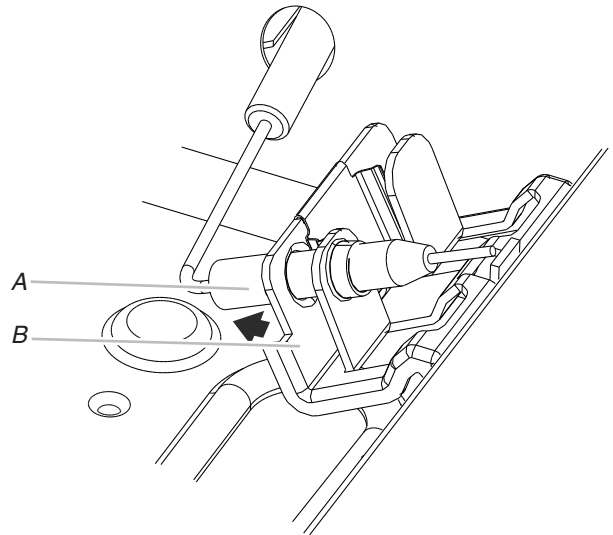
A. Oven bake burner  
 B. Oven bake burner screws  
 C. Oven bake burner electrode bracket  
 D. Oven bake burner electrode

6. Lift up clip on the oven bake burner electrode bracket with a finger or flat-blade screwdriver



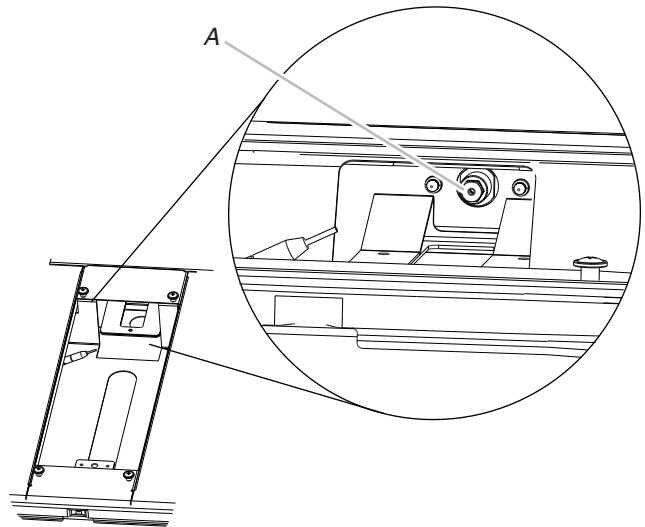
A. Oven bake burner electrode bracket  
 B. Electrode bracket clip

7. Pull electrode out of bracket.



A. Grasp electrode here.  
 B. Bracket

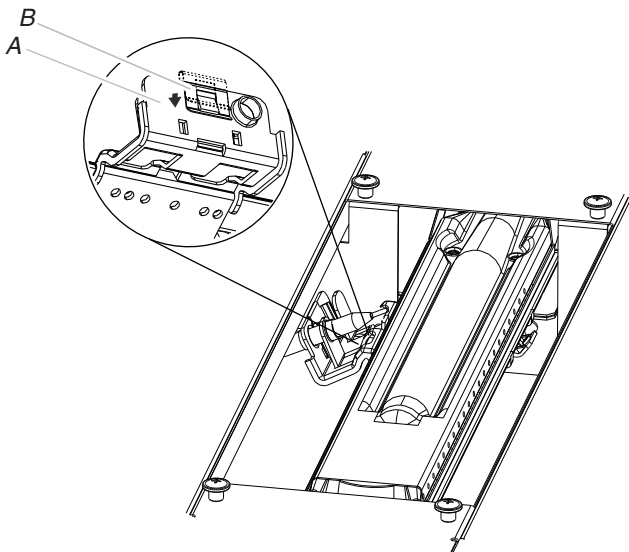
8. Apply masking tape to the end of a 7 mm nut driver to help hold the gas orifice spud in the nut driver while changing it. Insert nut driver into the gas opening and press down onto the gas orifice spud and remove by turning the gas orifice spud counterclockwise and lifting out. Set gas orifice spud aside.



A. Gas orifice spud

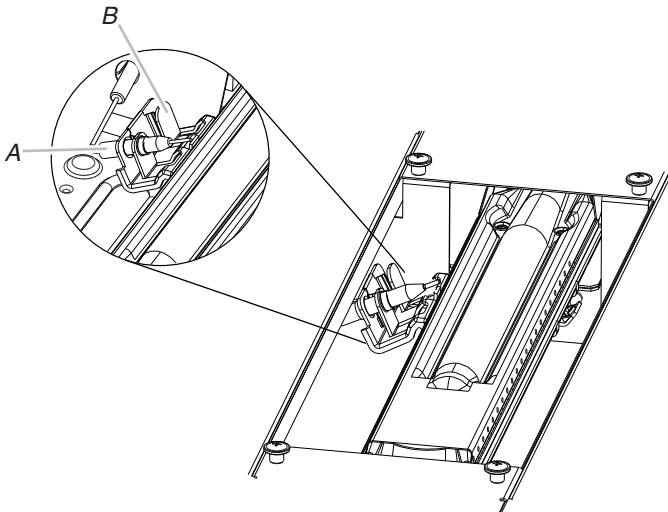
9. Gas orifice studs are stamped with a letter and a number. Install the Number 105 oven bake burner orifice spud.
10. Place Natural gas orifice in plastic parts bag for future use and keep with package containing literature.

11. Push down on the clip on the electrode bracket.



A. Oven bake burner electrode bracket  
B. Electrode bracket clip

12. Replace oven bake burner electrode inside bracket.

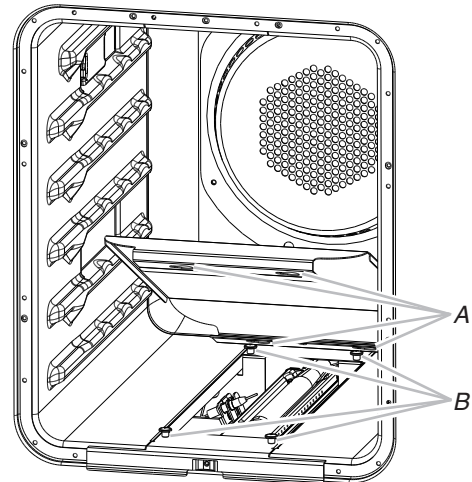


A. Oven bake burner electrode  
B. Oven bake burner electrode bracket

13. Reinstall the oven bake burner and oven bake burner screws. See Step 5 for illustration.

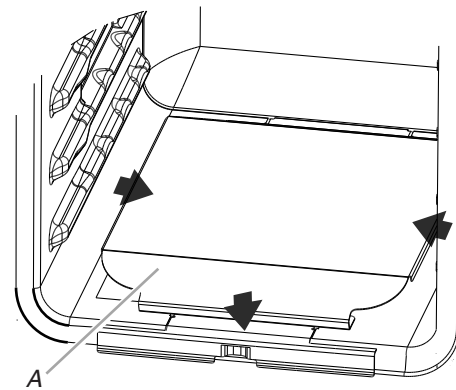
## Replace Oven Bake Burner Cover

1. Align rear shoulder screw mounting holes (keyholes) on the oven bake burner cover with shoulder screws in the bottom of the oven.



A. Shoulder screw mounting holes (keyholes)  
B. Shoulder screws

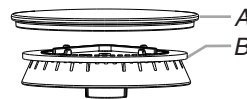
2. Drop cover and slide to left or right to slide shoulder screws into narrow ends of keyholes and lock into place.



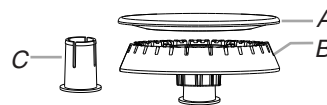
A. Bake burner cover

## To Convert Surface Burners

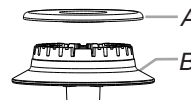
1. If the burner grates are installed, remove them.
2. Remove burner cap.
3. Remove the burner base.



**Large Dual Burner**  
A. Burner cap  
B. Burner base



**Medium Burner**  
A. Burner cap  
B. Burner base  
C. Choke (for use with medium burner, LP gas only)



**Small Burner**  
A. Burner cap  
B. Burner base

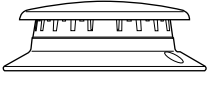
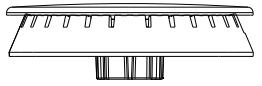
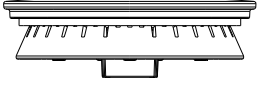
4. Apply masking tape to the end of a 7 mm nut driver to help hold the gas orifice spud in the nut driver while changing it. Insert nut driver into the gas opening and press down onto the gas orifice spud and remove by turning the gas orifice spud counterclockwise and lifting out. Set gas orifice spud aside.

5. Replace with correct LP gas orifice spud. See the "LP Gas Orifice Spud/Hood Chart."

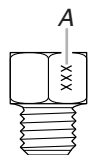
Use the following chart to find the exact orifice spud placement.

Fully insert choke into bottom of medium burner base. Choke should snap into place.

**LP Gas Orifice Spud/Hood Chart**

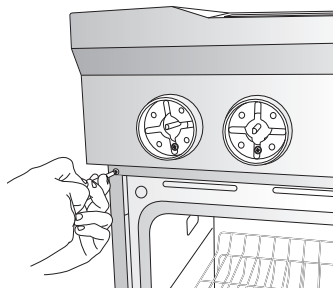
Burner Rating	Color	Size	Burner Style
3,000 BTU	Blue	0.55 mm	Small burners
			
11,000 BTU	Yellow	0.97 mm	Medium burners
			
14,000 BTU	Red/ Green	1.05 mm 0.35 mm	Large burner - main Large burner - simmer
			
14,500 BTU	Black	1.18 mm	Grill burner

**Burner orifice spud**



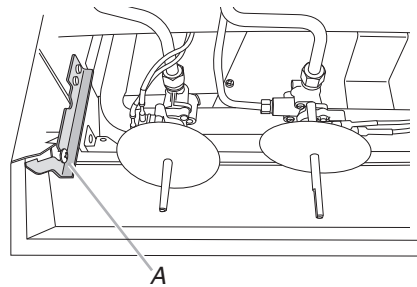
A. Size stamp or color

6. Place Natural gas orifice in plastic parts bag for future use and keep with package containing literature.
7. Replace the burner base.
8. Replace burner cap.
9. Repeat steps 2 through 8 for the remaining burners.
10. Unplug range or disconnect power.
11. Remove the control knobs.
12. Open the oven door and remove the 2 screws on each side of the range that hold the control console in place.



**NOTE:** Make sure to leave oven door open or the control console will not rest in the side brackets properly once it is detached.

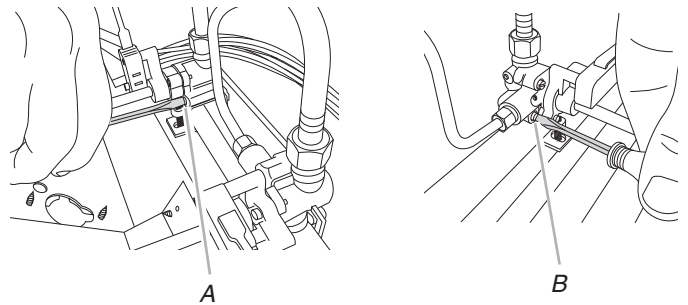
13. Pull up on the control console and let it drop forward into the notched console brackets on each side.



A. Control console bracket

14. Remove the round gasket from the valve stem.

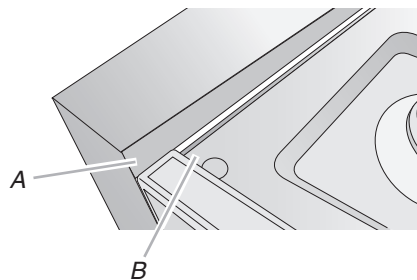
15. Use a 1/8" x 4 1/4" flat-blade screwdriver to completely screw down all burner screws.



A. Single flame burner adjustment screw (on right side of valve)  
B. Dual flame burner adjustment screw (on left side of valve)

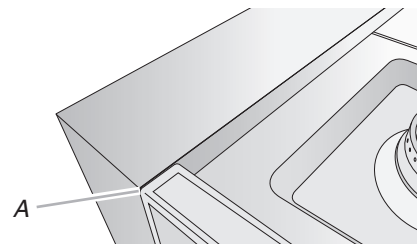
16. Replace the round gasket.

17. Lift up on the control console and set it back into place. For a proper fit, the flange of the control console must hook over the lip on the front of the range cooktop.



A. Control console flange  
B. Front lip of range cooktop

18. Check that the control console is flush with the top edge of the range.



A. Flush with range top

19. Replace the 2 screws on each side of the control console.

20. Replace the control knobs.

21. Replace burner grates.

## Complete Installation

1. Refer to the "Make Gas Connection" section for properly connecting the range to the gas supply.
2. Refer to the "Electronic Ignition System" section for proper burner ignition, operation, and burner flame adjustments.

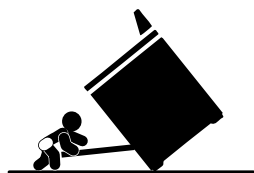
**IMPORTANT:** You may have to adjust the "LO" setting for each cooktop burner.

Checking for proper cooktop burner flame is very important. The small inner cone should have a very distinct blue flame  $\frac{1}{4}$ " (0.64 cm) to  $\frac{1}{2}$ " (1.3 cm) long. The outer cone is not as distinct as the inner cone. LP gas flames have a slightly yellow tip.

3. Refer to "Complete Installation" in the "Installation Instructions" section of this manual to complete this procedure.

## Natural Gas Conversion

### **⚠ WARNING**



#### Tip Over Hazard

**A child or adult can tip the range and be killed.**

**Install anti-tip bracket to floor or wall per installation instructions.**

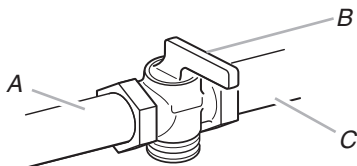
**Slide range back so rear range foot is engaged in the slot of the anti-tip bracket.**

**Re-engage anti-tip bracket if range is moved.**

**Do not operate range without anti-tip bracket installed and engaged.**

**Failure to follow these instructions can result in death or serious burns to children and adults.**

1. Turn the manual shutoff valve to the closed position.

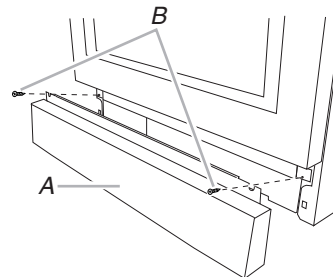


- A. To range
- B. Shutoff valve (closed position)
- C. Gas supply line

2. Unplug range or disconnect power.

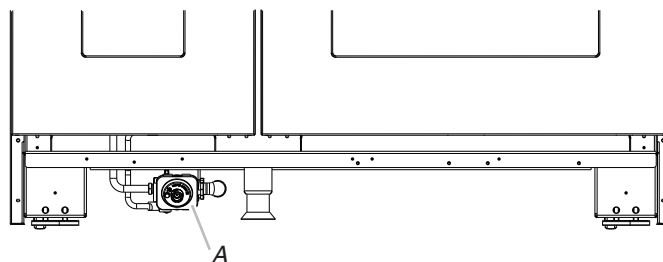
## To Convert Gas Pressure Regulator

1. Remove screws from kick plate.



- A. Kick plate
- B. Remove these screws.

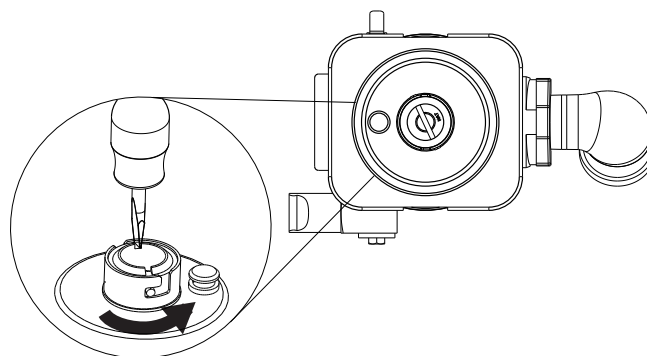
2. Push up on kick plate to release plate from shoulder screws.
3. Gently lay kick plate aside to avoid scratching the stainless steel.
4. Locate the gas pressure regulator at the left rear of the range.



- A. Gas pressure regulator

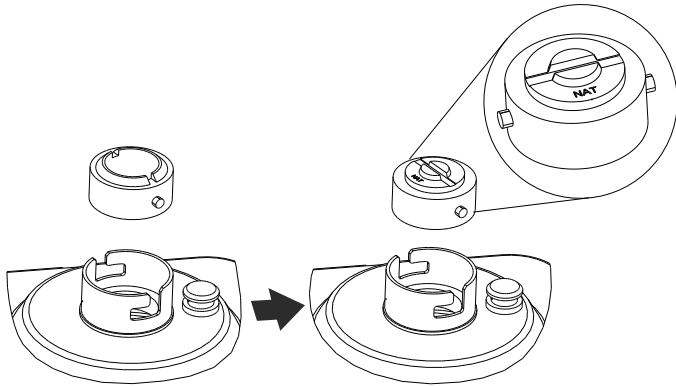
5. Remove the gas pressure regulator cap by using a large flat-blade screwdriver, turning the regulator cap counterclockwise.

**NOTE:** Do not remove the spring beneath the cap.





- Turn over the gas pressure regulator cap and reinstall on the regulator so that the hollow end faces out and the letters "NAT" are visible.



- Tighten the gas pressure regulator cap by using a large flat-blade screwdriver, turning the regulator cap clockwise.
- Test the gas pressure regulator and gas supply line.  
The regulator must be checked at a minimum 1" (2.5 cm) water column above the set pressure. The inlet pressure to the regulator should be as follows for operation and checking the regulator setting:

**Natural Gas:**

Minimum pressure 6" (15.2 cm) WCP  
Maximum pressure 14" (35.6 cm) WCP.

**Gas Supply Pressure Testing**

Gas supply pressure for testing regulator must be at least 1" water column pressure above the manifold pressure shown on the model/serial rating plate.

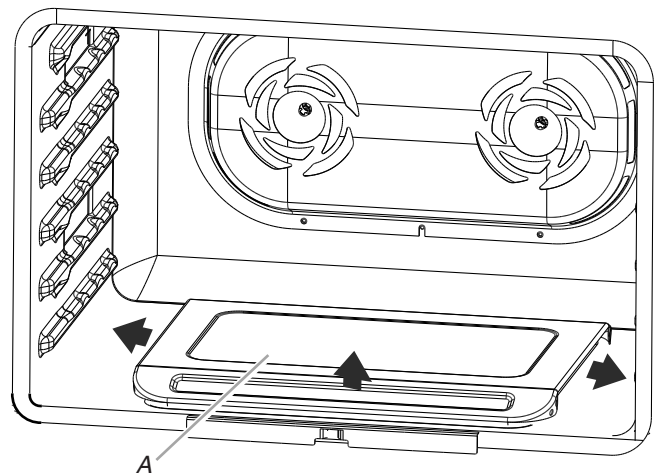
**Line pressure testing above ½ psi gauge (14" WCP)**

The range and its individual shutoff valve must be disconnected from the gas supply piping system during any pressure testing of that system at test pressures in excess of ½ psi (3.5 kPa).

**Line pressure testing at ½ psi gauge (14" WCP) or lower**

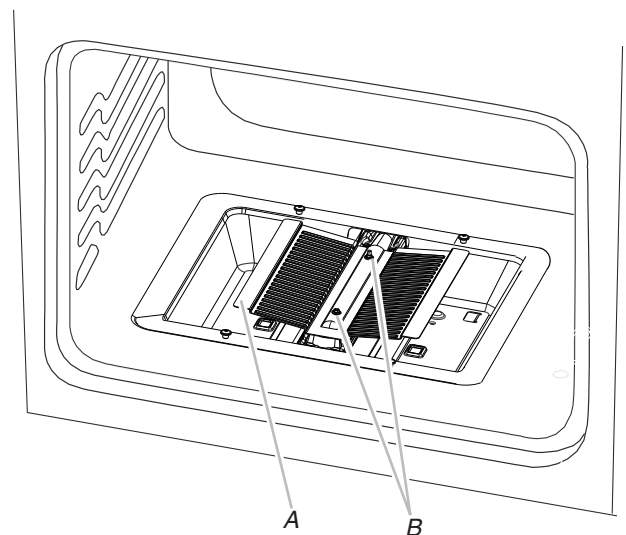
The range must be isolated from the gas supply piping system by closing its individual manual shutoff valve during any pressure testing of the gas supply piping system at test pressures equal to or less than ½ psi (3.5 kPa).

- Slide the bake burner cover to the right or left.



A. Bake burner cover

- Lift up and remove oven bake burner cover and set aside.
- Unscrew oven baffle nuts and remove oven baffle. Set aside.



A. Oven baffle  
B. Oven baffle nuts

**To Convert Oven Bake Burner (30" [76.2 cm] and 36" [91.4 cm] models and the Right Oven Cavity on 48" [121.9 cm] models)**

- Remove oven racks and the extendable roller rack from inside the oven cavity. See the "Extendable Roller Rack" section in the Use and Care Guide.

**⚠ WARNING**

**Excessive Weight Hazard**

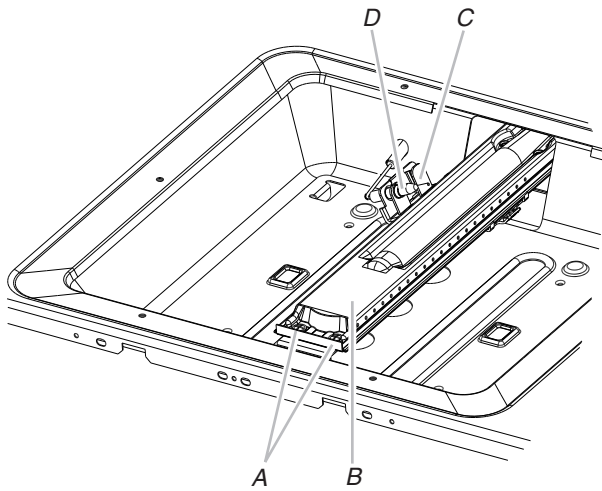
**Use two or more people to move and install oven doors.**

**Failure to do so can result in back or other injury.**

- Remove the oven door. See the "Oven Door" section in the Use and Care Guide.

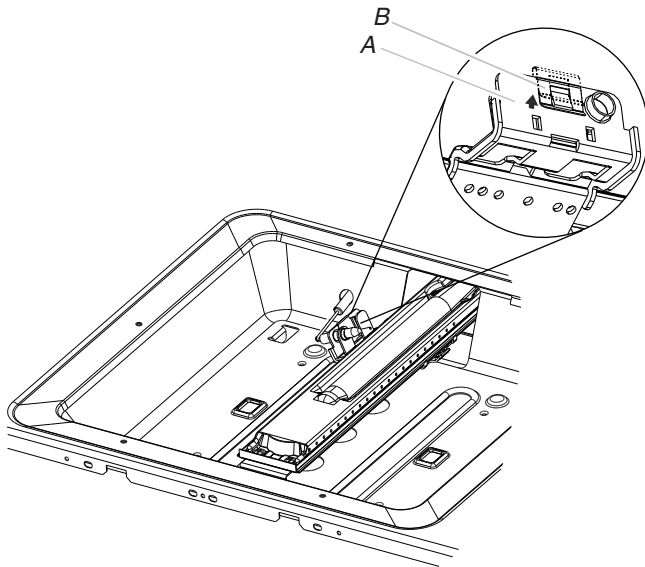


6. Remove the oven bake burner screws and oven bake burner and gently set aside.



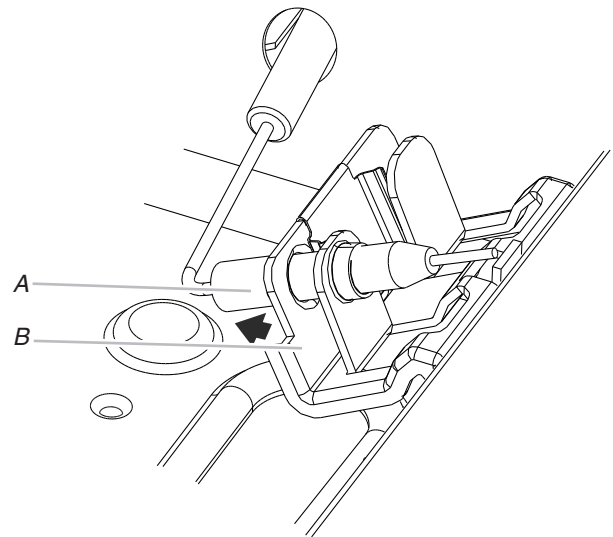
A. Oven bake burner screws  
 B. Oven bake burner  
 C. Oven bake burner electrode bracket  
 D. Oven bake burner electrode

7. Lift up clip on the oven bake burner electrode bracket with a finger or flat-blade screwdriver and pull away the electrode.



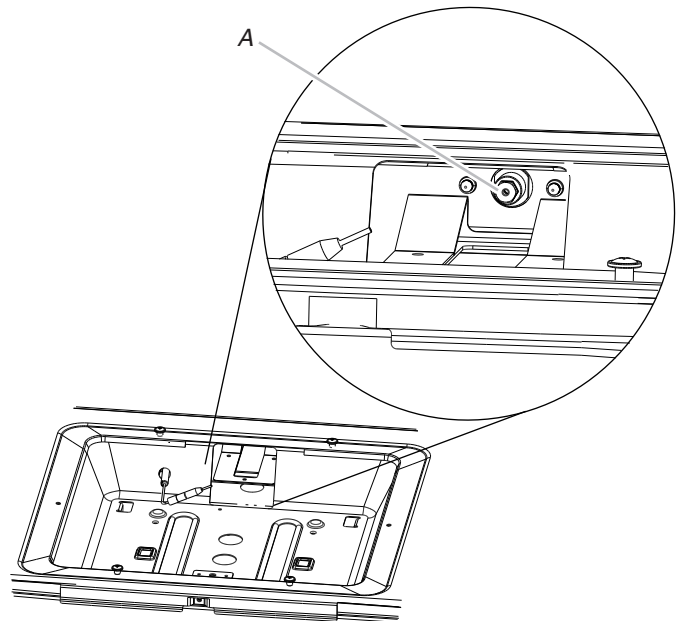
A. Oven bake burner electrode bracket  
 B. Electrode bracket clip

8. Pull electrode out of bracket.



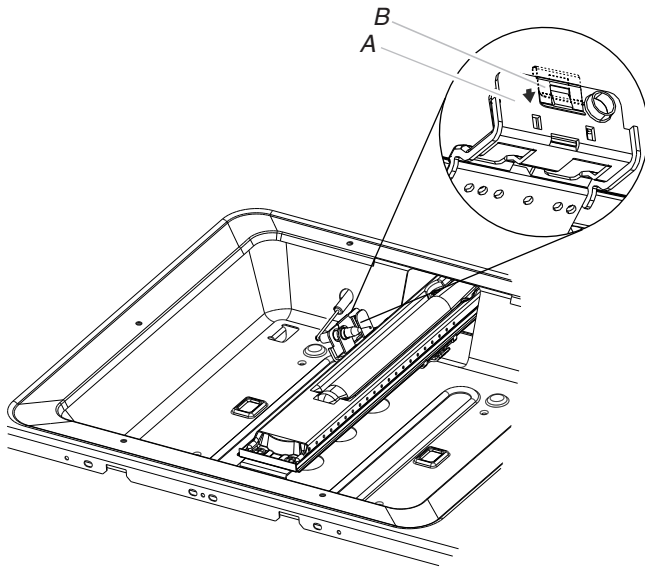
A. Grasp electrode here.  
 B. Bracket

9. Apply masking tape to the end of a 7 mm nut driver to help hold the gas orifice spud in the nut driver while changing it. Insert nut driver into the gas opening and press down onto the gas orifice spud and remove by turning the gas orifice spud counterclockwise and lifting out. Set gas orifice spud aside.



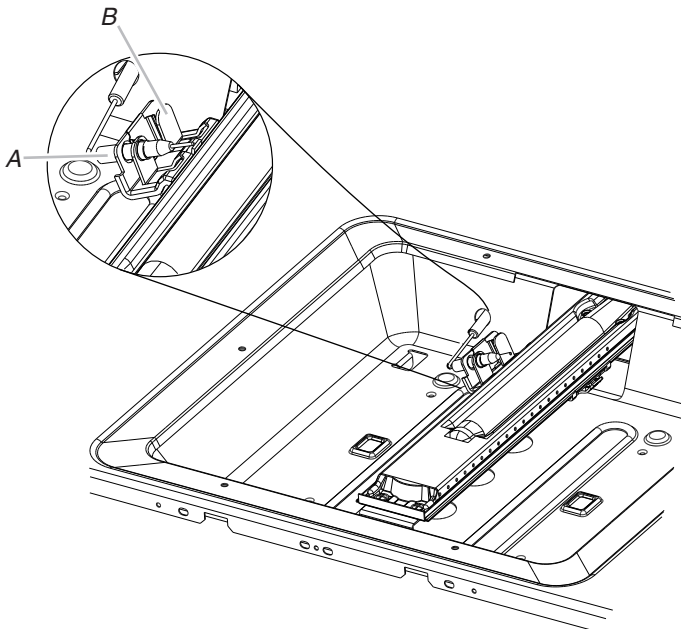
A. Gas orifice spud

10. Gas orifice studs are stamped with a letter and a number. Install the Number 189 oven bake burner orifice spud.
11. Place LP gas orifice in plastic parts bag for future use and keep with package containing literature.
12. Push down on the clip on the electrode bracket.



A. Oven bake burner electrode bracket  
B. Electrode bracket clip

13. Replace oven bake burner electrode inside bracket.

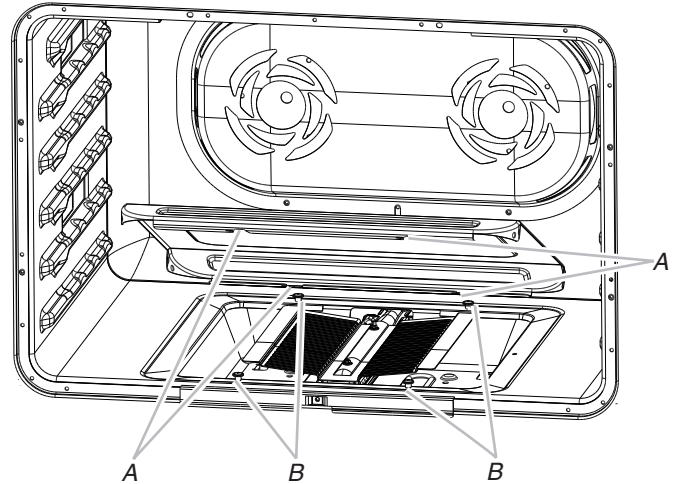


A. Oven bake burner electrode  
B. Oven bake burner electrode bracket

14. Reinstall the oven bake burner and oven bake burner screws. See Step 6 for illustration.
15. Replace oven baffle and oven baffle nuts.

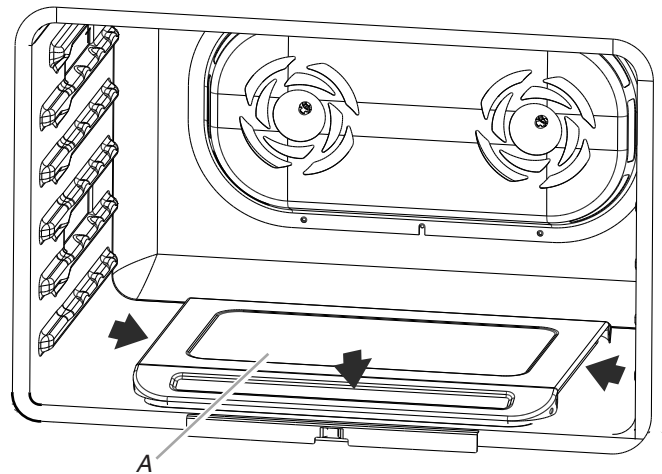
## Replace Oven Bake Burner Cover

1. Align notches on the oven bake burner cover with shoulder screws in the bottom of the oven.



A. Cover notches (4)  
B. Shoulder screws (4)

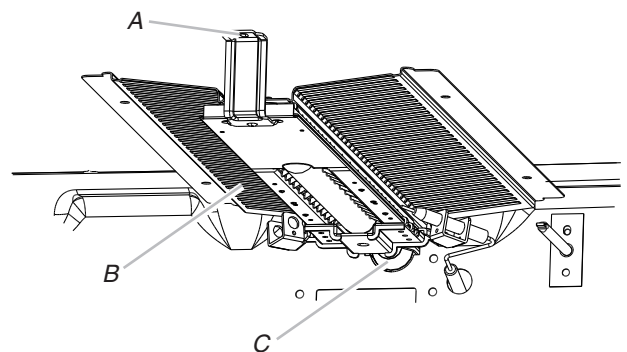
2. Lower cover and slide to left or right to slide shoulder screws into the narrow ends of the notches and lock into place.



A. Bake burner cover

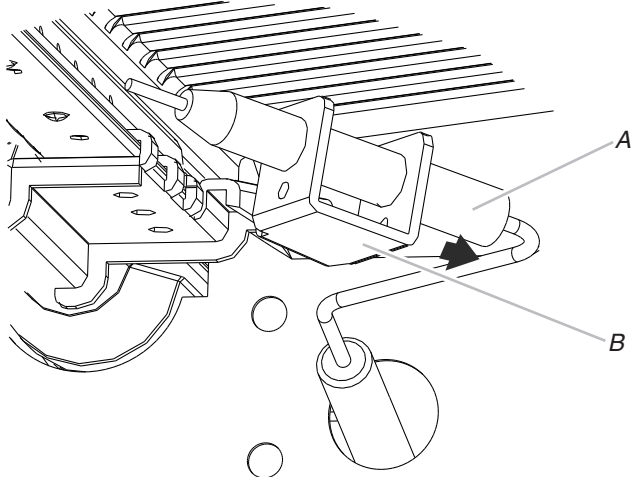
## To Convert Oven Broil Burner (30" [76.2 cm] and 36" [91.4 cm] models and the Right Oven Cavity on 48" [121.9 cm] models)

1. Remove broil burner screw and set aside.



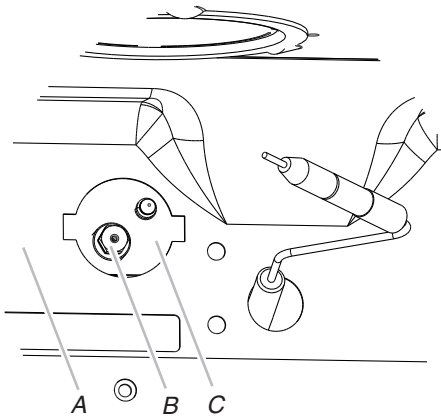
A. Broil burner screw  
B. Broil burner  
C. Broil burner orifice hole

2. Pull the broil burner toward you until it slides out of the hole in the oven back, and pull the electrode out of the bracket. The broil burner will hang down in the back of the oven while you change the orifice.



A. Grasp electrode here.  
B. Bracket

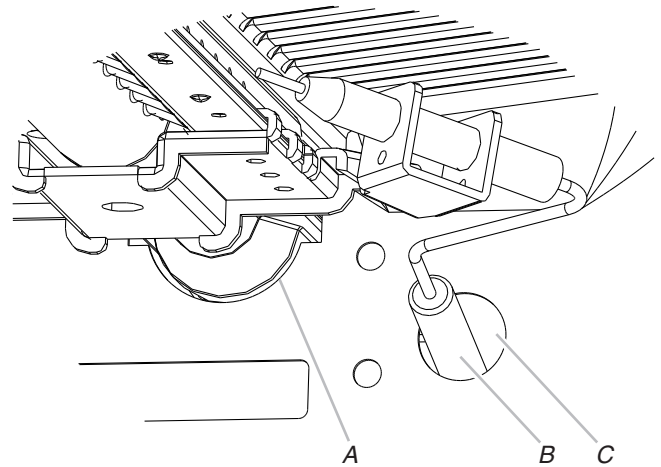
3. Apply masking tape to the end of a 7 mm nut driver to help hold the gas orifice spud in the nut driver while changing it. Insert nut driver into the gas opening and press down onto the gas orifice spud and remove by turning the gas orifice spud counterclockwise and lifting out. Set gas orifice spud aside.



A. Oven back  
B. Broil burner orifice  
C. Broil burner orifice hole

4. Gas orifice studs are stamped with a letter and a number. Install the Number 148 oven broil burner orifice spud.
5. Place LP gas orifice in plastic parts bag for future use and keep with package containing literature.

6. Replace the broil burner in the hole in the oven back, with the broil burner electrode inside the broil burner electrode hole, as illustrated.



A. Broil burner orifice hole  
B. Broil burner electrode  
C. Broil burner electrode hole

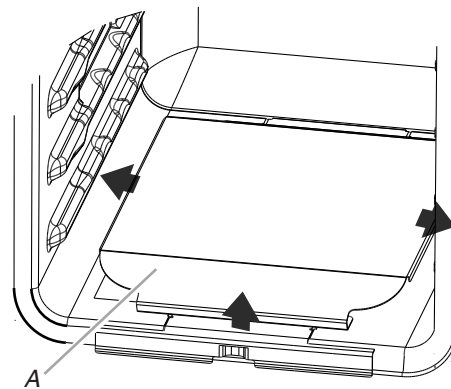
7. Reinstall the oven broil burner screw. See Step 1 for illustration.

---

### To Convert Oven Bake Burner (Left Oven Cavity on 48" [121.9 cm] models)

---

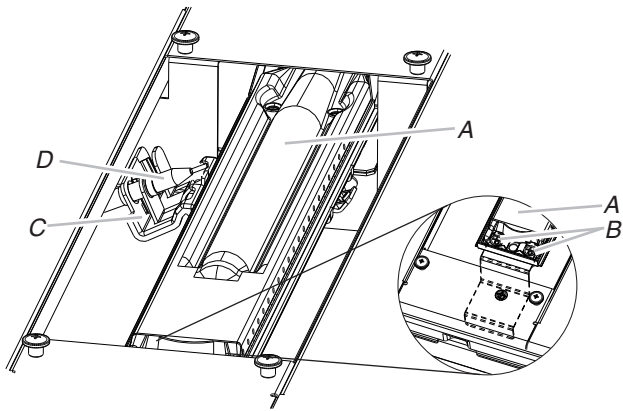
1. Remove oven racks.
2. Remove the oven door. See the "Oven Door" section in the Use and Care Guide.
3. Slide the bake burner cover to the right or left.



A. Bake burner cover

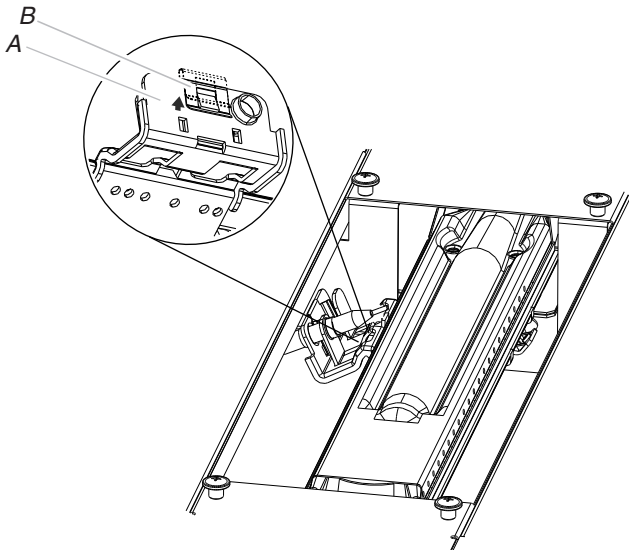
4. Lift up and remove oven bake burner cover and set aside.

- Remove the oven bake burner screws and oven bake burner and gently set aside.



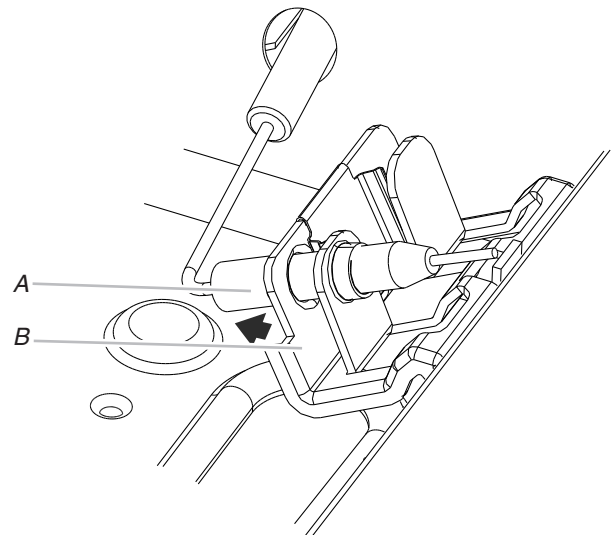
A. Oven bake burner  
 B. Oven bake burner screws  
 C. Oven bake burner electrode bracket  
 D. Oven bake burner electrode

- Lift up clip on the oven bake burner electrode bracket with a finger or flat-blade screwdriver and pull away the electrode.



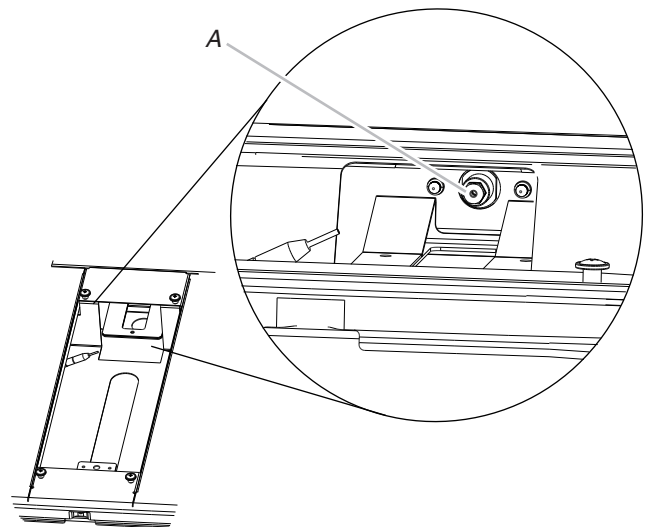
A. Oven bake burner electrode bracket  
 B. Electrode bracket clip

- Pull electrode out of bracket.



A. Grasp electrode here.  
 B. Bracket

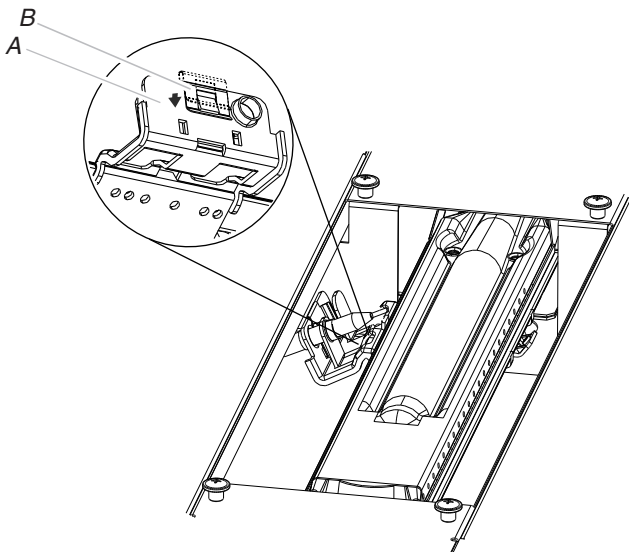
- Apply masking tape to the end of a 7 mm nut driver to help hold the gas orifice spud in the nut driver while changing it. Insert nut driver into the gas opening and press down onto the gas orifice spud and remove by turning the gas orifice spud counterclockwise and lifting out. Set gas orifice spud aside.



A. Gas orifice spud

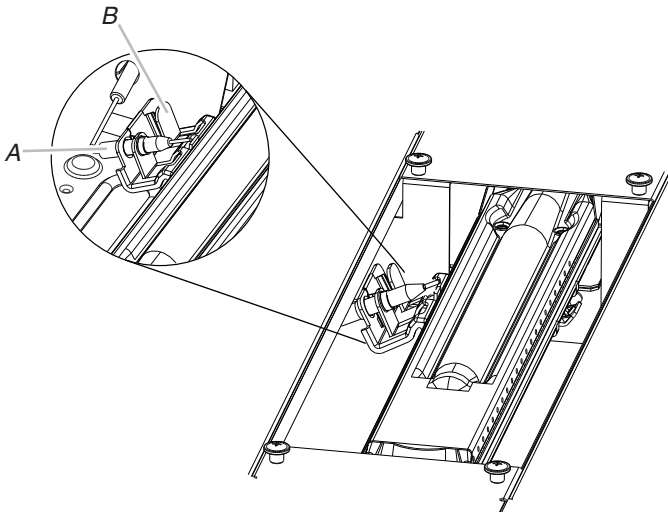
- Gas orifice studs are stamped with a letter and a number. Install the Number 154 oven bake burner orifice spud.
- Place LP gas orifice in plastic parts bag for future use and keep with package containing literature.

11. Push down on the clip on the electrode bracket.



A. Oven bake burner electrode bracket  
B. Electrode bracket clip

12. Replace oven bake burner electrode inside bracket.

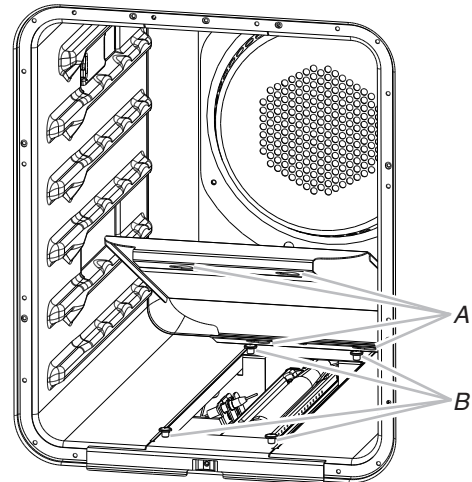


A. Oven bake burner electrode  
B. Oven bake burner electrode bracket

13. Reinstall the oven bake burner and oven bake burner screws. See Step 5 for illustration.

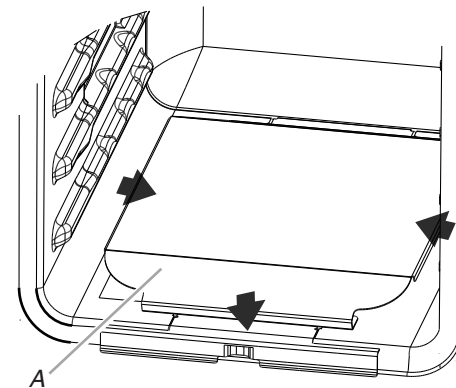
## Replace Oven Bake Burner Cover

1. Align rear shoulder screw mounting holes (keyholes) on the oven bake burner cover with shoulder screws in the bottom of the oven.



A. Shoulder screw mounting holes (keyholes)  
B. Shoulder screws

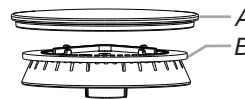
2. Drop cover and slide to left or right to slide shoulder screws into narrow ends of keyholes and lock into place.



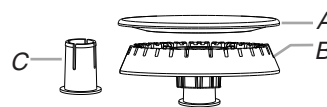
A. Bake burner cover

## To Convert Surface Burners

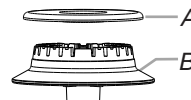
1. If the burner grates are installed, remove them.
2. Remove burner cap.
3. Remove the burner base.



**Large Dual Burner**  
A. Burner cap  
B. Burner base



**Medium Burner**  
A. Burner cap  
B. Burner base  
C. Choke (for use with medium burner, LP gas only)



**Small Burner**  
A. Burner cap  
B. Burner base

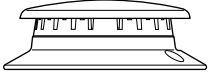
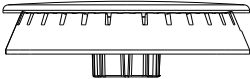
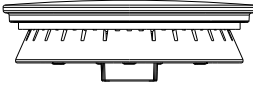
4. Apply masking tape to the end of a 7 mm nut driver to help hold the gas orifice spud in the nut driver while changing it. Insert nut driver into the gas opening and press down onto the gas orifice spud and remove by turning the gas orifice spud counterclockwise and lifting out. Set gas orifice spud aside.

5. Replace with correct Natural gas orifice spud. See the "Natural Gas Orifice Spud/Hood Chart."

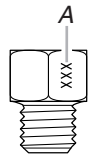
Use the following chart to find the exact orifice spud placement.

Remove choke from medium burner base.

**Natural Gas Orifice Spud/Hood Chart**

Burner Rating	Size	Burner Style
5,000 BTU	1.01 mm	Small burners
		
15,000 BTU	1.75 mm	Medium burners
		
20,000 BTU	2.10 mm 0.52 mm	Large burner - main Large burner - simmer
		
18,000 BTU	1.93 mm	Grill burner

**Burner orifice spud**



A. Size stamp

- Place LP gas orifice spuds in plastic parts bag for future use and keep with package containing literature.
- Replace the burner base.
- Replace burner cap.
- Repeat steps 2 through 8 for the remaining burners.

**Complete Installation**

- Refer to the "Make Gas Connection" section for properly connecting the range to the gas supply.
- Refer to the "Electronic Ignition System" section for proper burner ignition, operation, and burner flame adjustments.

**IMPORTANT:** You may have to adjust the "LO" setting for each cooktop burner.

Checking for proper cooktop burner flame is very important. The small inner cone should have a very distinct blue flame 1/4" (0.64 cm) to 1/2" (1.3 cm) long. The outer cone is not as distinct as the inner cone. LP gas flames have a slightly yellow tip.

- Refer to "Complete Installation" in the "Installation Instructions" section of this manual to complete this procedure.



# Wiring Diagrams

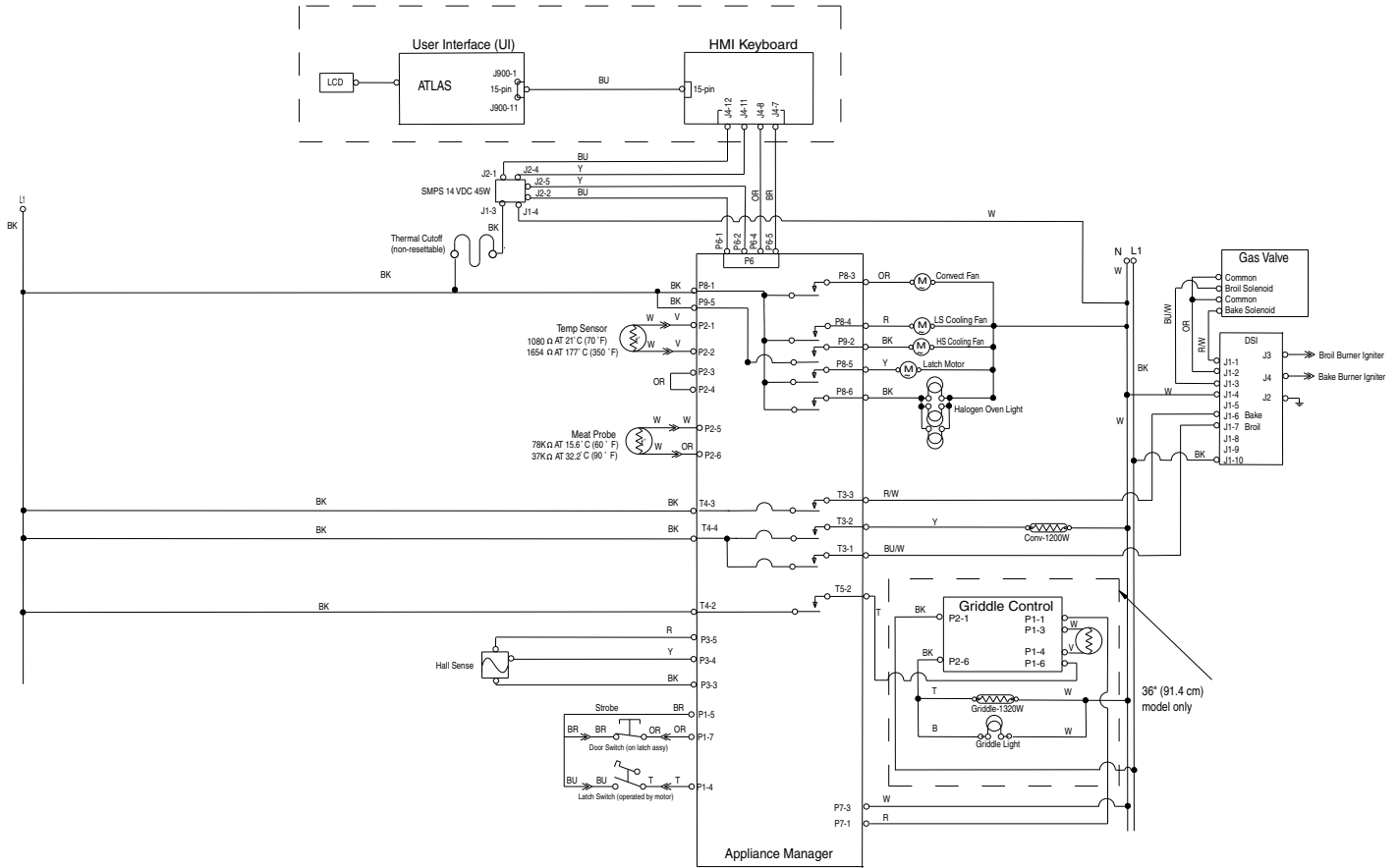
**NOTES:**

- End of line tester is for manufacturing purposes only.
- Dots indicate connections or splices.

- Circuit shown in STANDBY/OFF mode with oven door closed.
- All voltages in the wiring diagrams are designated as 120 VAC.

**Caution:** Label all wires prior to disconnection when servicing controls. Wiring errors can cause improper and dangerous operation. Verify proper operation after servicing.

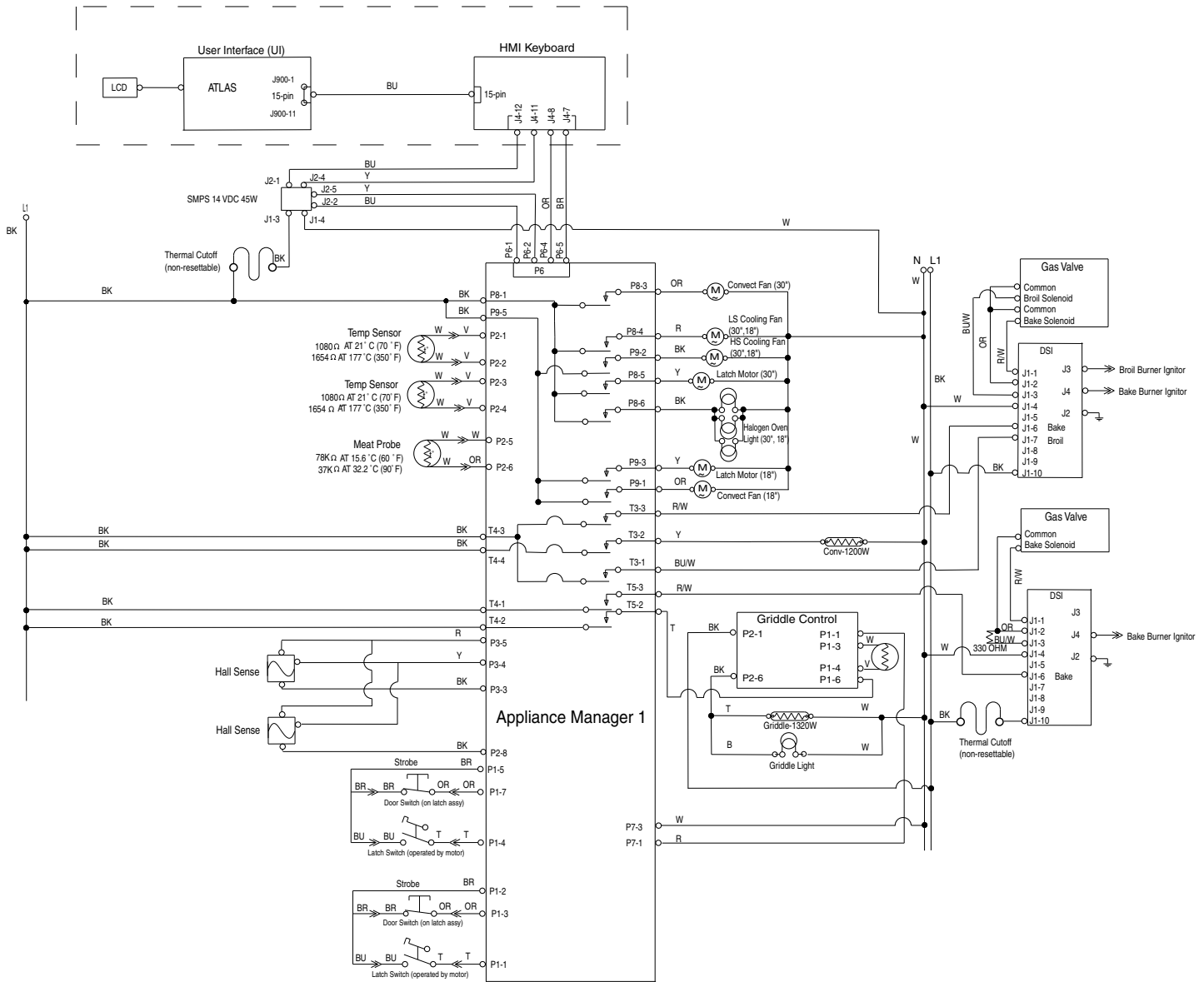
## 30"/36" (76.2 cm/91.4 cm) Oven Schematic for JGRP430, JGRP436 and JGRP536 Models



### LEGEND

Ground (Chassis)	Plug With Female Connector	Receptacle With Male Connector	Light	AC Drive Motor	Thermostat	Thermo-actuator	Heating Element	Enclosed Thermistor	Operated By Door	Thermal Cutoff (Non-Resettable)	Thermal Cutoff (manually Resettable)

# 48" (121.9 cm) Oven Schematic for JGRP548 Model



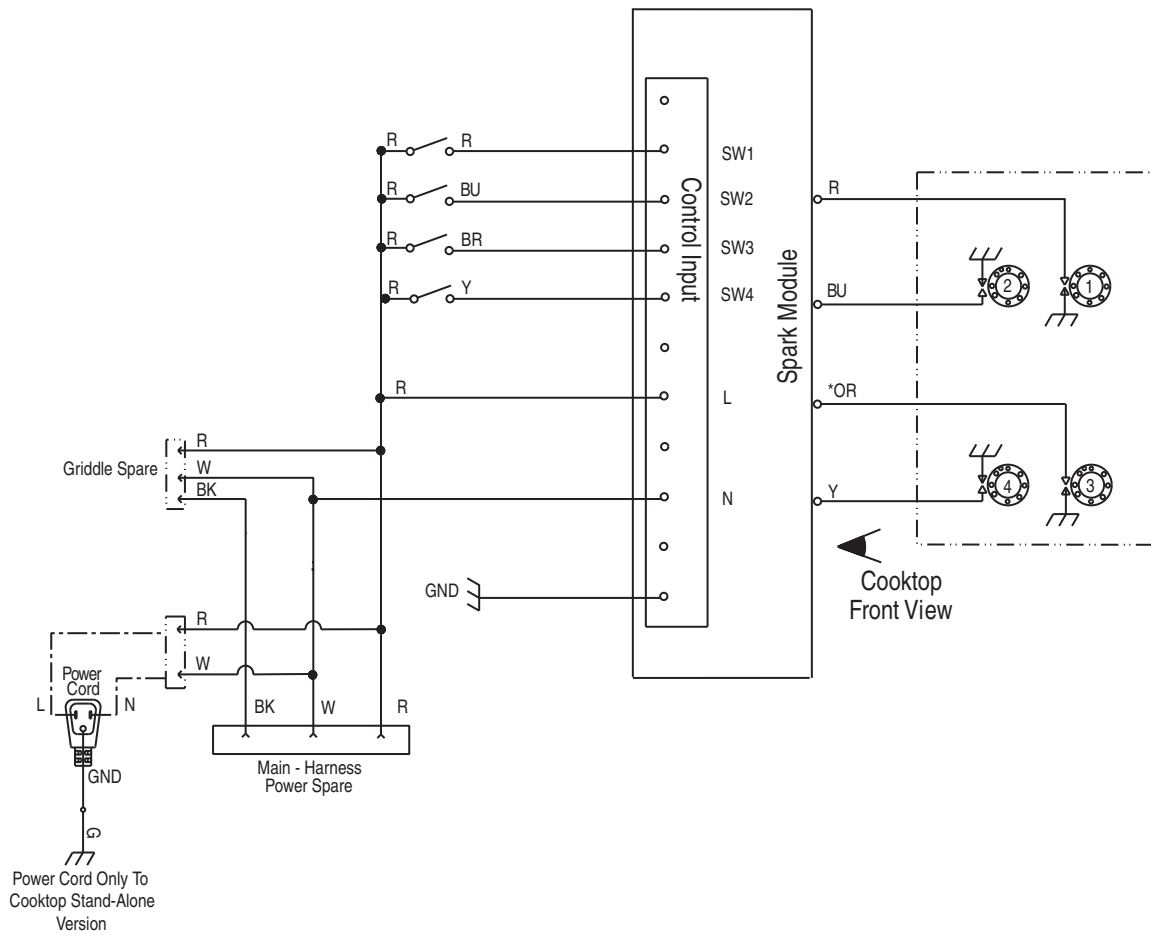
## LEGEND

Ground (Chassis)	Plug With Female Connector	Receptacle With Male Connector	Light	AC Drive Motor	Thermostat	Thermo-actuator	Heating Element	Enclosed Thermistor	Operated By Door	Thermal Cutoff (Non-Resettable)	Thermal Cutoff (manually Resettable)

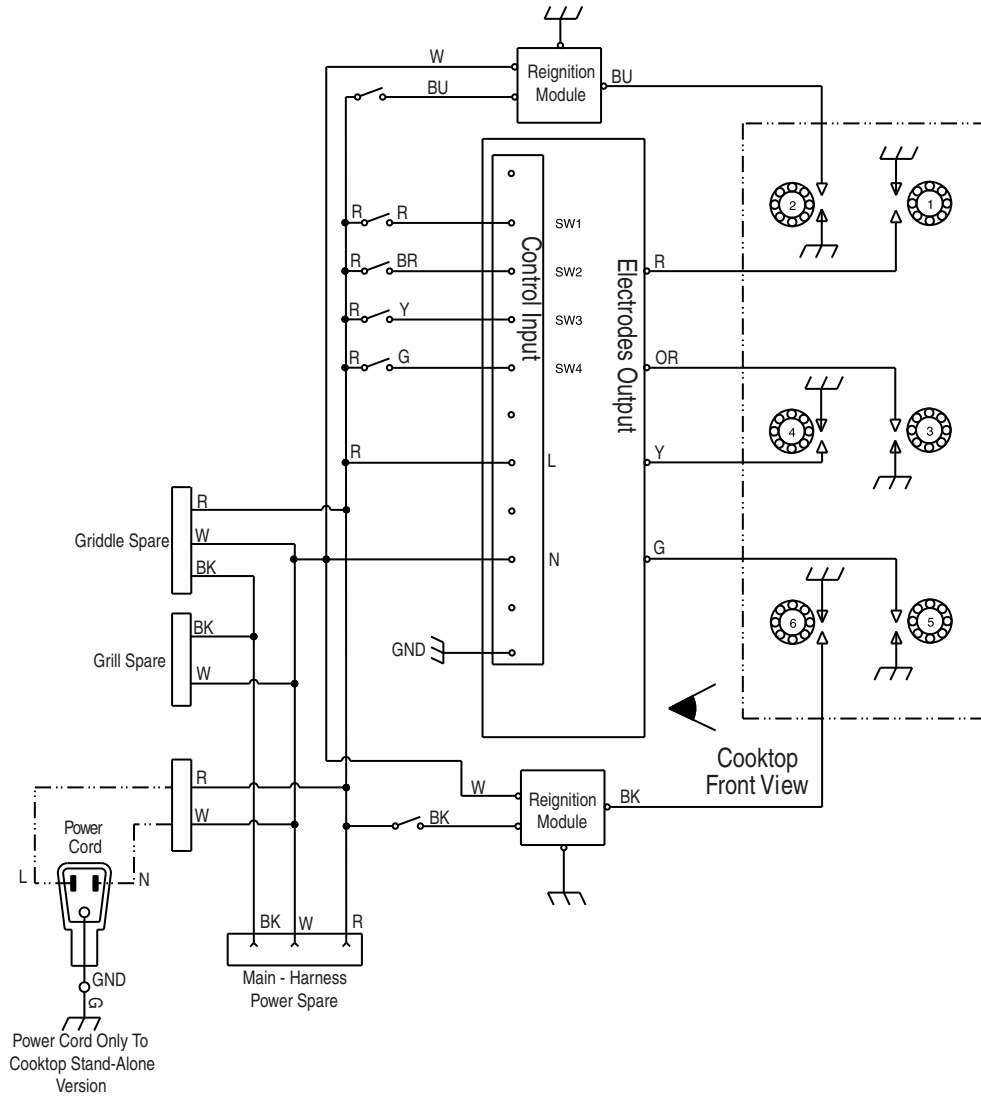
## Strip Circuits

The following individual circuits are for use in diagnoses, and are shown in the ON position. Do not continue with the diagnosis of the appliance if a fuse is blown, a circuit breaker is tripped, or if there is less than a 120 +/-10% volt power supply at the wall outlet.

### 4 Burner Cooktop Schematic



## 6 Burner Cooktop Schematic



---

## Notes

# SÉCURITÉ DE LA CUISINIÈRE

## Votre sécurité et celle des autres est très importante.

Nous donnons de nombreux messages de sécurité importants dans ce manuel et sur votre appareil ménager. Assurez-vous de toujours lire tous les messages de sécurité et de vous y conformer.



Voici le symbole d'alerte de sécurité.

Ce symbole d'alerte de sécurité vous signale les dangers potentiels de décès et de blessures graves à vous et à d'autres.

Tous les messages de sécurité suivront le symbole d'alerte de sécurité et le mot "DANGER" ou "AVERTISSEMENT". Ces mots signifient :

**⚠ DANGER**

Risque possible de décès ou de blessure grave si vous ne suivez pas immédiatement les instructions.

**⚠ AVERTISSEMENT**

Risque possible de décès ou de blessure grave si vous ne suivez pas les instructions.

Tous les messages de sécurité vous diront quel est le danger potentiel et vous disent comment réduire le risque de blessure et ce qui peut se produire en cas de non-respect des instructions.

**AVERTISSEMENT : Si les renseignements dans ce manuel ne sont pas exactement observés, un incendie ou une explosion peut survenir, causant des dommages au produit, des blessures ou un décès.**

- Ne pas entreposer ni utiliser de l'essence ou d'autres vapeurs ou liquides inflammables à proximité de cet appareil ou de tout autre appareil électroménager.
- QUE FAIRE DANS LE CAS D'UNE ODEUR DE GAZ :
  - Ne pas tenter d'allumer un appareil.
  - Ne pas toucher à un commutateur électrique.
  - Ne pas utiliser le téléphone se trouvant sur les lieux.
  - Appeler immédiatement le fournisseur de gaz à partir du téléphone d'un voisin. Suivre ses instructions.
  - À défaut de joindre votre fournisseur de gaz, appeler les pompiers.
- L'installation et l'entretien doivent être effectués par un installateur qualifié, une agence de service ou le fournisseur de gaz.

**AVERTISSEMENT :** L'odorat ne permet pas toujours la détection d'une fuite de gaz.

Les distributeurs de gaz recommandent l'emploi d'un détecteur de gaz (homologation UL ou CSA).

Pour d'autre information, contacter le fournisseur de gaz local.

En cas de détection d'une fuite de gaz, exécuter les instructions "Que faire dans le cas d'une odeur de gaz".

**IMPORTANT :** Ne pas installer un système de ventilation avec évacuation de l'air vers le bas, qui évacuerait l'air vers cet appareil de cuisson à gaz. Ce type de système de ventilation peut causer des problèmes d'allumage et de combustion avec cet appareil de cuisson à gaz et entraîner des blessures corporelles ou le fonctionnement non désiré de cet appareil.



Dans l'État du Massachusetts, les instructions d'installation suivantes sont applicables :

- Les travaux d'installation et réparation doivent être exécutés par un plombier ou tuyauteur qualifié ou licencié, ou par le personnel qualifié d'une entreprise licenciée par l'État du Massachusetts.
- Si une vanne à boisseau sphérique est utilisée, elle doit comporter une manette "T".
- Si un conduit de raccordement flexible est utilisé, sa longueur ne doit pas dépasser 3 pi.

## ⚠ AVERTISSEMENT

### Risque de basculement

**Un enfant ou une personne adulte peut faire basculer la cuisinière, ce qui peut causer un décès.**

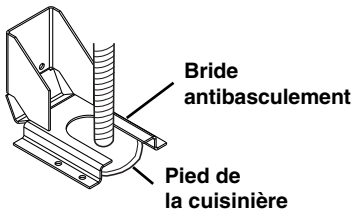
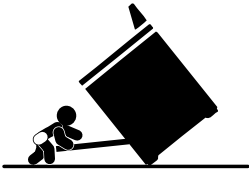
**Fixer la bride antibasculement au plancher ou au mur, conformément aux instructions d'installation.**

**Faire glisser de nouveau la cuisinière de façon à ce que le pied arrière de la cuisinière se trouve dans la fente de la bride antibasculement.**

**Réengager la bride antibasculement si la cuisinière a été déplacée.**

**Ne pas faire fonctionner la cuisinière si la bride antibasculement n'est pas installée et engagée.**

**Le non-respect de ces instructions peut causer un décès ou des brûlures graves aux enfants et aux adultes.**



Pour vérifier que la bride antibasculement est bien installée et engagée :

- Faire glisser la cuisinière vers l'avant.
- Vérifier que la bride antibasculement est bien fixée au plancher ou au mur.
- Faire de nouveau glisser la cuisinière vers l'arrière de sorte que le pied de la cuisinière se trouve sous la bride antibasculement.
- Voir les instructions d'installation pour plus de détails.

## EXIGENCES D'INSTALLATION

### Outils et pièces

Rassembler les outils et composants nécessaires avant d'entreprendre l'installation. Lire et observer les instructions fournies avec chacun des outils de la liste ci-dessous.

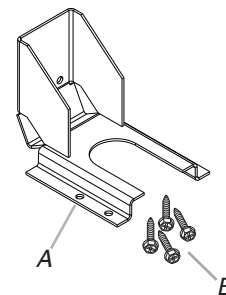
#### Outils nécessaires

- Mètre-ruban
  - Tournevis Phillips n° 2
  - Tournevis à lame plate de 1/8" x 4 1/4"
  - Niveau
  - Perceuse
  - Clé ou pince
  - Clé à tuyauterie
  - Clé à molette ou clé de 5/8"
  - Clé à cliquet de 3/8"
  - Foret de 1/8"
  - Clé mixte de 15/16"
  - Tourne-écrous de 1/4", 3/8", 5/16"
  - Foret de maçonnerie à pointe carburée de 3/16"
  - Marqueur ou crayon
  - Composé d'étanchéité des raccords filetés – résistant au gaz propane
  - Solution non-corrosive de détection des fuites
  - Coupe-tube
- Pour conversions pour gaz propane/naturel**
- Clé à molette
  - Douille longue de 1/2"
  - Tourne-écrou de 7 mm
  - Ruban adhésif de masquage

#### Pièces fournies

Vérifier que toutes les pièces sont présentes.

- Trousse de bride antibasculement



A. Bride antibasculement  
B. 4 vis à tête Phillips n° 8-18 x 1"

**REMARQUE :** La bride antibasculement doit être solidement fixée au sous-plancher. La profondeur du plancher peut nécessiter des vis plus longues pour l'ancrage de la bride dans le sous-plancher. Des vis plus longues sont disponibles auprès de votre quincaillerie locale. Voir la section "Installation de la bride antibasculement".

- Détendeur
- Grilles de brûleur
- Têtes et chapeaux de brûleurs

- Plateau d'égouttement de la plaque à frire (sur modèles avec plaque à frire)
- Trousse de gicleurs pour gaz propane (W10393336)
- Étiquette de conversion (8114P522-60)

**REMARQUE :** La table de cuisson est conçue pour une utilisation au gaz naturel. Pour effectuer une conversion au gaz propane, voir la section "Conversions pour changement de gaz".

### Pièces nécessaires

Tous les modèles doivent être installés avec un dosseret si l'installation se fait sans dégagement entre l'appareil et une paroi arrière combustible. Voir "Dimensions du placard" à la section "Exigences d'emplacement" pour les spécifications concernant l'installation.

- Dosseret rétractable de 30" (76,2 cm)  
Commander la pièce numéro 8285148
- Dosseret rétractable de 36" (91,4 cm)  
Commander la pièce numéro 8284756
- Dosseret rétractable de 48" (121,9 cm)  
Commander la pièce numéro 8284755
- Panneau anti-éclaboussure de 22" (55,9 cm) avec tablette à double position pour cuisinières de 30" (76,2 cm)  
Commander la pièce numéro W10285447
- Panneau anti-éclaboussure de 22" (55,9 cm) avec tablette à double position pour cuisinières de 36" (91,4 cm)  
Commander la pièce numéro W10285448
- Panneau anti-éclaboussure de 22" (55,9 cm) avec tablette à double position pour cuisinières de 48" (121,9 cm)  
Commander la pièce numéro W10285449

Pour commander, voir la section "Assistance ou service" du Guide d'utilisation et d'entretien.

Vérifier les codes locaux et consulter le fournisseur de gaz. Vérifier l'alimentation en gaz et l'alimentation électrique existantes. Voir les sections "Spécifications électriques" et "Spécifications de l'alimentation en gaz".

Il est recommandé de faire réaliser tous les raccordements électriques par un électricien qualifié agréé.

### Conversion pour utilisation en haute altitude

Pour convertir la cuisinière pour des altitudes supérieures à 6 560 pi (1999,5 m), commander un ensemble pour conversion en haute altitude.

- Pièce numéro W10394294 - gaz propane pour haute altitude
- Pièce numéro W10394293 - gaz naturel pour haute altitude

Pour commander, voir la section "Assistance ou service" du Guide d'utilisation et d'entretien.

## Exigences d'emplacement

**IMPORTANT :** Observer les dispositions de tous les codes et règlements en vigueur. Ne pas obstruer le flux de combustion et de ventilation.

- C'est à l'installateur qu'incombe la responsabilité de respecter les distances de séparation spécifiées sur la plaque signalétique de l'appareil. La plaque signalétique se trouve sous la console, du côté droit.
- Il est recommandé qu'une hotte de cuisinière de 600 pi<sup>3</sup>/min ou plus soit installée au-dessus de la cuisinière.
- Il n'est pas recommandé de monter un ensemble hotte/four à micro-ondes au-dessus de la cuisinière.
- Dans le cas d'une cuisinière encastrée, l'enceinte doit recouvrir complètement les côtés et l'arrière de la cuisinière.
- Afin de supprimer le risque de brûlures ou d'incendie lié au fait de se pencher au-dessus des plaques de cuisson chaudes, les placards de rangement au-dessus des plaques doivent être évités. Si des placards de rangement sont envisagés, le risque peut être réduit par l'installation d'une hotte de cuisine dépassant du bas des placards d'au moins 5" (12,7 cm) horizontalement.
- Toutes les ouvertures dans le mur ou le plancher de l'emplacement d'installation de la cuisinière doivent être scellées.
- Ne pas réaliser de scellement entre la cuisinière et les placards latéraux.
- Respecter les dimensions indiquées pour les ouvertures à découper dans les placards. Ces dimensions constituent les valeurs minimales des dégagements.
- La bride antibasculement doit être installée. Pour l'installation de la bride antibasculement fournie avec la cuisinière, voir la section "Installation de la bride antibasculement".
- Une source d'électricité avec liaison à la terre est nécessaire. Voir la section "Spécifications électriques".
- Un raccordement adéquat à l'alimentation en gaz doit être disponible. Voir la section "Spécifications de l'alimentation en gaz".
- Contacter un installateur de revêtement de sol qualifié, qui pourra déterminer si le revêtement de sol peut résister à une température d'au moins 200°F (93°C). Dans le cas de l'installation de la cuisinière par dessus un tapis, placer sous la cuisinière une plaque d'appui isolée, ou une plaque de contreplaqué de ¼" d'épaisseur (0,64 cm).

**IMPORTANT :** Afin d'éviter d'endommager les placards, consulter le constructeur de la maison ou le fabricant des placards pour déterminer si les matériaux utilisés peuvent subir un changement de couleur, une déstratification ou d'autres dommages. Ce four a été conçu conformément aux exigences des normes UL et CSA International et respecte les températures maximales permises de 194°F (90°C) pour les placards en bois.

### Résidence mobile – Spécifications additionnelles à respecter lors de l'installation

L'installation de cette cuisinière doit être conforme aux dispositions de la norme Manufactured Home Construction and Safety Standard, Title 24 CFR, Part 3280 (anciennement Federal Standard for Mobile Home Construction and Safety, Title 24, HUD Part 280). Lorsque cette norme n'est pas applicable, l'installation doit satisfaire aux critères de la norme Standard for Manufactured Home Installations, ANSI A225.1/NFPA 501A ou aux dispositions des codes locaux.

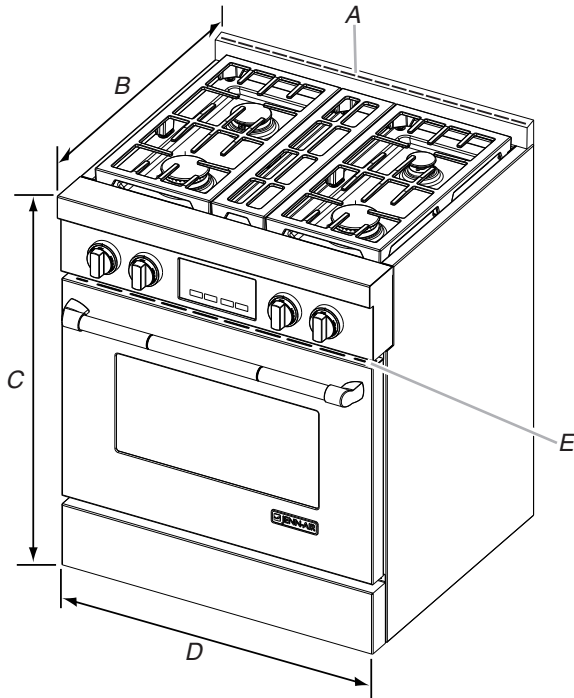
Au Canada, l'installation de cette cuisinière doit satisfaire aux stipulations de la version la plus récente de la norme CAN/CSA-A240 ou des codes locaux en vigueur.

**Autres critères à respecter pour une installation en résidence mobile :**

- Dans le cas de l'installation de cette cuisinière dans une résidence mobile, la cuisinière doit être fixée au plancher durant tout déplacement du véhicule. Toute méthode de fixation de la cuisinière est adéquate dans la mesure où elle satisfait aux critères des normes mentionnées ci-dessus.

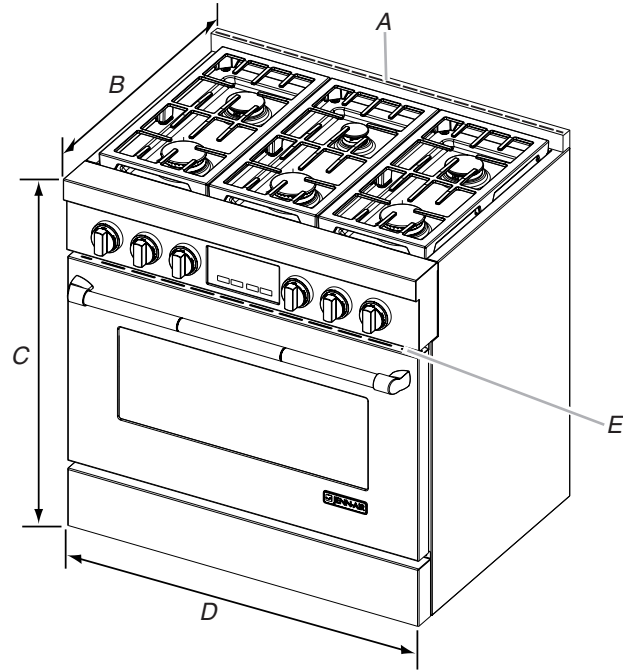
**Dimensions du produit**

**Modèles de 30" (76,2 cm)**



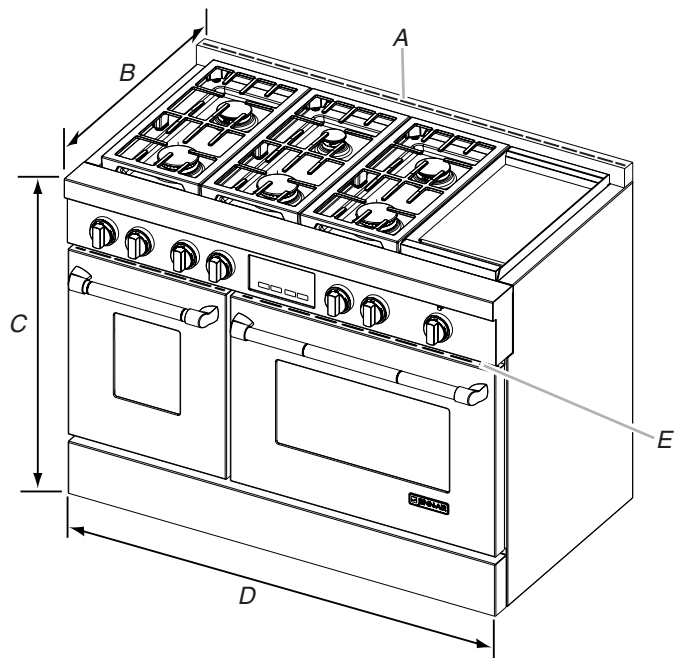
- A. Garniture d'îlot
- B. 27 $\frac{3}{4}$ " (70,5 cm) de profondeur tableau de commande inclus, voir REMARQUE\*
- C. 35 $\frac{3}{4}$ " (89,6 cm) de hauteur de table de cuisson si la cuisinière est installée sur roulettes
- D. 30" (76,2 cm) de largeur
- E. Emplacement de la plaque signalétique

**Modèles de 36" (91,4 cm)**



- A. Garniture d'îlot
- B. 27 $\frac{1}{8}$ " (68,9 cm) de profondeur tableau de commande inclus, voir REMARQUE\*
- C. 35 $\frac{3}{4}$ " (90,2 cm) de hauteur de table de cuisson si la cuisinière est installée sur roulettes
- D. 36" (91,4 cm) de largeur
- E. Emplacement de la plaque signalétique

**Modèles de 48" (121,9 cm)**



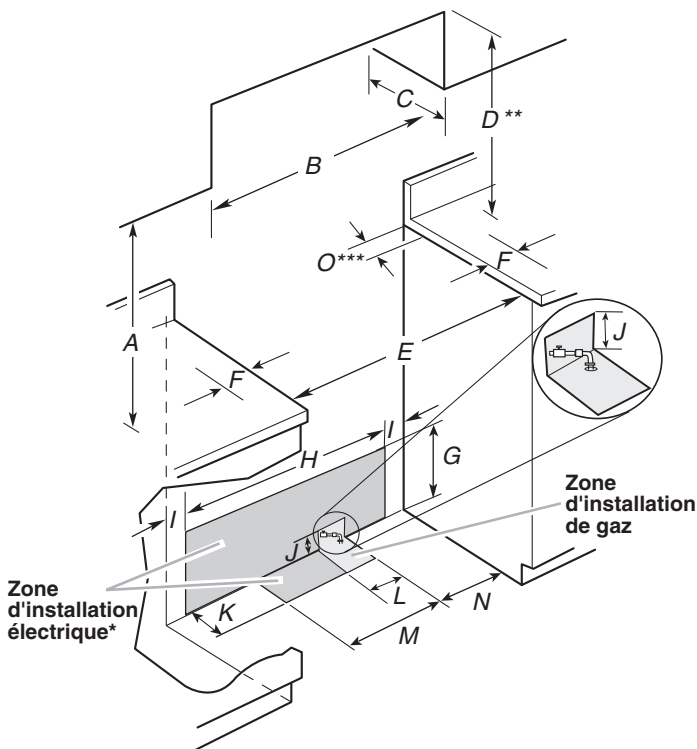
- A. Garniture d'îlot
- B. 27 $\frac{1}{8}$ " (68,9 cm) de profondeur tableau de commande inclus, voir REMARQUE\*
- C. 35 $\frac{3}{4}$ " (90,2 cm) de hauteur de table de cuisson si la cuisinière est installée sur roulettes
- D. 48" (121,9 cm) de largeur
- E. Emplacement de la plaque signalétique

**\*REMARQUE :** En cas d'installation entre des placards au sol de 24" (61 cm) avec plan de travail de 25" (63,5 cm), l'avant de la porte du four dépasse de 1 $\frac{7}{8}$ " (4,8 cm) au-delà des placards au sol de 24" (61 cm).

## Dimensions du placard

Les dimensions de l'espace d'installation entre les placards sont valides pour l'installation entre des placards de 24" (61 cm) avec plan de travail de 25" (64 cm) à hauteur de 36" (91,4 cm). Les dimensions doivent être respectées pour que les éléments soient en affleurement avec la paroi arrière.

**IMPORTANT :** En cas d'installation d'une hotte ou d'un revêtement de hotte au-dessus de la cuisinière, suivre les instructions fournies avec la hotte ou le revêtement de hotte concernant les dimensions de dégagement à respecter au-dessus de la surface de la table de cuisson.



- A. 18" (45,7 cm) entre le placard supérieur et le plan de travail
- B. Modèle de 30" (76,2 cm) : Largeur min. du placard supérieur 30" (76,2 cm)  
Modèle de 36" (91,4 cm) : Largeur min. du placard supérieur 36" (91,4 cm)  
Modèle de 48" (121,9 cm) : Largeur min. du placard supérieur 48" (121,9 cm)
- C. Profondeur maximale du placard supérieurs de 13" (33 cm)
- D. Pour la distance libre minimale à partir de la partie supérieure de la table de cuisson, voir la REMARQUE\*\*
- E. 30¼" (76,8 cm) sur les modèles de 30" (76,2 cm)  
36¼" (92,1 cm) sur les modèles de 36" (91,4 cm)  
48¼" (122,6 cm) sur les modèles de 48" (121,9 cm)
- F. Dégagement minimal de 6" (15,2 cm) entre les deux côtés de la cuisinière et la paroi latérale ou d'autres matériaux combustibles
- G. 15" (38,1 cm)
- H. 22" (55,9 cm) sur les modèles de 30" (76,2 cm)  
28" (71,1 cm) sur les modèles de 36" (91,4 cm)  
40" (101,6 cm) sur les modèles de 48" (121,9 cm)
- I. 1½" (3,8 cm)
- J. 3" (7,6 cm)
- K. 5" (12,7 cm)
- E. 6" (15,2 cm) sur les modèles de 30" (76,2 cm)  
14" (35,5 cm) sur les modèles de 36" (91,4 cm)  
24" (61,0 cm) sur les modèles de 48" (121,9 cm)
- M. 10½" (26,7 cm)
- N. 6" (15,2 cm)
- O. 6" (15,2 cm), voir la REMARQUE\*\*\*

\*REMARQUE : Pour installation au Canada, il est nécessaire de faire pivoter la prise de 90°.

## \*\*REMARQUE : Dégagements minimums

**Modèles de 30" (76,2 cm) :** Distance de séparation minimale de 30" (76,2 cm) entre le dessus de la table de cuisson et le fond d'un placard de bois ou de métal non protégé.

**Modèles de 36" (91,4 cm) :** Distance de séparation minimale de 42" (106,7 cm) entre le dessus de la table de cuisson et le fond d'un placard de bois ou de métal non protégé.

**Modèles de 48" (121,9 cm) :** Distance de séparation minimale de 42" (106,7 cm) entre le dessus de la table de cuisson et le fond d'un placard de bois ou de métal non protégé.

\*\*\*REMARQUE : Si la paroi arrière est fabriquée à partir d'un matériau combustible et qu'aucun dosseret n'est installé, un dégagement minimal de 6" (15,2 cm) est nécessaire pour tous les modèles.

## Spécifications électriques

### ⚠ AVERTISSEMENT



#### Risque de choc électrique

Brancher sur une prise à 3 alvéoles reliée à la terre.

Ne pas enlever la broche de liaison à la terre.

Ne pas utiliser un adaptateur.

Ne pas utiliser un câble de rallonge.

Le non-respect de ces instructions peut causer un décès, un incendie ou un choc électrique.

**IMPORTANT :** La cuisinière doit être reliée à la terre en conformité avec les codes et règlements locaux en vigueur, ou en l'absence de codes locaux, avec le National Electrical Code, ANSI/NFPA 70 ou le Code canadien des installations électriques, CSA C22.1.

Si les codes le permettent et si on utilise un conducteur distinct de liaison à la terre, il est recommandé qu'un électricien qualifié vérifie la qualité de la liaison à la terre.

Pour obtenir un exemplaire des normes des codes ci-dessus, contacter :

National Fire Protection Association  
1 Batterymarch Park  
Quincy, MA 02169-7471  
CSA International  
8501 East Pleasant Valley Road  
Cleveland, OH 44131-5575

- L'appareil doit être alimenté par un circuit de 120 V, CA seulement, 60 Hz, 15 ampères, protégé par fusible. On recommande également d'utiliser un fusible ou un disjoncteur temporisé. Il est recommandé de raccorder la cuisinière sur un circuit distinct exclusif à cet appareil.
- Les systèmes d'allumage électronique fonctionnent avec des limites de tension étendues, mais une liaison à la terre correcte et une polarité appropriée sont nécessaires. Vérifier que la prise fournit une alimentation de 120 V et qu'elle est correctement reliée à la terre.
- Le schéma de câblage se trouve dans un sac de plastique transparent placé derrière le garde-pieds.

### ⚠ **AVERTISSEMENT**



#### Risque d'explosion

**Utiliser une canalisation neuve d'arrivée de gaz approuvée par la CSA International.**

**Installer un robinet d'arrêt.**

**Bien serrer chaque organe de connexion de la canalisation de gaz.**

**En cas de connexion au gaz propane, demander à une personne qualifiée de s'assurer que la pression de gaz ne dépasse pas 36 cm (14 po) de la colonne d'eau.**

**Par personne qualifiée, on comprend :**

**le personnel autorisé de chauffage,  
le personnel autorisé d'une compagnie de gaz, et  
le personnel d'entretien autorisé.**

**Le non-respect de ces instructions peut causer un décès, une explosion ou un incendie.**

Respecter les dispositions de tous les codes et règlements en vigueur.

**IMPORTANT :** L'installation doit satisfaire aux critères de tous les codes et règlements locaux. En l'absence de code local, l'installation doit satisfaire aux prescriptions de la plus récente édition de l'American National Standard, National Fuel Gas Code ANSI Z223.1/NFPA 54 ou CAN/CGA B149.

**IMPORTANT :** La cuisinière doit être raccordée à une source d'alimentation en gaz régulée.

**IMPORTANT :** Les tests de fuite de la cuisinière doivent être effectués selon les instructions du fabricant.

### Type de gaz

#### Gaz naturel :

La conception de cette cuisinière a été homologuée par CSA International pour l'alimentation au gaz naturel, ou pour l'alimentation au propane après conversion adéquate.

- Cette cuisinière a été configurée à l'usine pour l'alimentation au gaz naturel. La plaque signalétique située sous la console, du côté droit, contient des informations sur les types de gaz utilisables. Si le type de gaz disponible n'est pas mentionné sur la plaque signalétique, consulter le fournisseur local.

#### Conversion pour l'alimentation au propane :

L'opération de conversion doit être exécutée par un technicien de réparation qualifié.

Ne pas entreprendre de convertir la cuisinière pour une utilisation avec un gaz différent de celui indiqué sur la plaque signalétique sans d'abord consulter le fournisseur de gaz. Pour la conversion au gaz propane, utiliser la trousse de conversion au gaz propane fournie avec la cuisinière et voir la section "Conversions pour changement de gaz". Les pièces pour cette trousse se trouvent dans le sachet de documentation fourni avec la cuisinière.

### Canalisation de gaz

- Installer une canalisation d'alimentation en gaz rigide de 3/4" (1,9 cm) jusqu'à l'emplacement d'installation de la cuisinière. L'emploi d'une canalisation de plus petit diamètre sur un circuit d'évacuation plus long peut causer une déficience du débit d'alimentation en gaz. Pour l'alimentation au gaz propane, le diamètre des canalisations doit être de 1/2" (1,3 cm) ou plus. En général, le fournisseur de gaz propane détermine les matériaux à utiliser et le diamètre approprié.

**REMARQUE :** On doit utiliser un composé d'étanchéité pour tuyauteries résistant à l'action du gaz propane. Ne pas utiliser de ruban adhésif TEFLON<sup>®†</sup>.

#### Raccord métallique flexible :

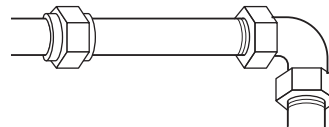
- Si les codes locaux le permettent, on peut utiliser un nouveau raccord métallique flexible (homologation CSA), de 4 à 5 pi (122 à 152,4 cm) de long, de diamètre intérieur de 5/8" (1,6 cm) ou 3/4" (1,9 cm) pour le raccordement de la cuisinière à la canalisation d'alimentation en gaz.



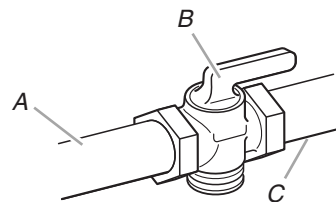
- Un raccord avec filetage mâle de 1/2" (1,3 cm) est nécessaire pour la connexion sur le raccord à filetage femelle à l'entrée du détendeur de la cuisinière.
- Ne pas déformer/écraser/endommager le tube métallique flexible lors d'un déplacement de la cuisinière.

#### Raccordement par un ensemble rigide :

On doit utiliser une combinaison de raccords pour réaliser un raccordement rigide entre la cuisinière et la canalisation de gaz. Le tuyau rigide doit se trouver au même niveau que le raccord de connexion de la cuisinière. On doit veiller à ne soumettre les sections de canalisation d'alimentation et de combustible à aucune traction ou flexion afin que la cuisinière soit d'aplomb et correctement alignée.



- **Robinet d'arrêt manuel nécessaire :**  
La canalisation d'alimentation doit comporter un robinet d'arrêt manuel. Ce robinet doit être séparé de l'ouverture de la cuisinière, mais il doit se trouver dans la même pièce, par exemple dans un placard adjacent. La canalisation doit se trouver en un endroit facilement accessible pour les manœuvres d'ouverture/fermeture. Ne pas entraver l'accès au robinet d'arrêt manuel. Le robinet permet d'ouvrir ou de fermer l'alimentation en gaz de la cuisinière.



A. Canalisation d'alimentation en gaz  
B. Robinet d'arrêt manuel en position d'ouverture  
C. Vers la cuisinière

†®TEFLON est une marque déposée de E.I. Du Pont De Nemours et Compagnie.

## Détendeur

Le détendeur fourni avec cette cuisinière doit être utilisé. La pression d'alimentation du détendeur doit être comme suit pour un fonctionnement correct :

### Gaz naturel :

Pression minimale : 6" (15,2 cm) colonne d'eau

Pression maximale : 14" (35,6 cm) colonne d'eau

### Gaz propane :

Pression minimale : 11" (27,9 cm) colonne d'eau

Pression maximale : 14" (35,6 cm) colonne d'eau

En cas d'incertitude quant à la pression d'alimentation à établir, contacter le fournisseur de gaz local.

## Débit thermique des brûleurs - Altitude

Les débits thermiques indiqués sur la plaque signalétique correspondent à une altitude d'utilisation inférieure à 2000 pi (609,6 m).

Lorsque l'appareil est utilisé à une altitude supérieure à 2000 pi (609,6 m), on doit réduire le débit thermique indiqué de 4 % pour chaque tranche de 1000 pi (304,8 m).

## Test de pressurisation de la canalisation de gaz

On doit tester le détendeur sous une pression supérieure de 1" (colonne d'eau) à la pression de la tubulure de distribution indiquée sur la plaque signalétique.

### Pressurisation à une pression supérieure à ½ lb/po<sup>2</sup> (14" – colonne d'eau)

Pour tout test de pressurisation du système à une pression supérieure à ½ lb/po<sup>2</sup> (3,5 kPa), on doit déconnecter la cuisinière et son robinet d'arrêt des canalisations d'alimentation en gaz à pressuriser.

### Pressurisation à une pression de ½ lb/po<sup>2</sup> (14" – colonne d'eau) ou moins

La cuisinière devra être isolée des canalisations d'alimentation en gaz par la fermeture du robinet d'arrêt manuel individuel durant tout test de pressurisation des canalisations d'alimentation en gaz à une pression égale ou inférieure à ½ lb/po<sup>2</sup> (3,5 kPa).

# INSTRUCTIONS D'INSTALLATION

## Déballage de la cuisinière

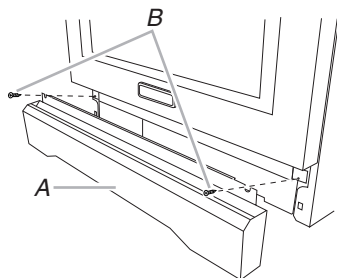
### **AVERTISSEMENT**

#### Risque du poids excessif

Utiliser deux ou plus de personnes pour déplacer et installer la cuisinière.

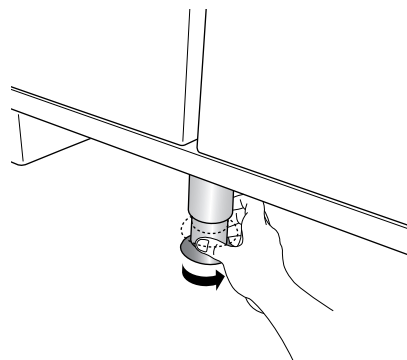
Le non-respect de cette instruction peut causer une blessure au dos ou d'autre blessure.

1. Ôter les matériaux d'emballage, le ruban adhésif et la pellicule protectrice de la cuisinière. Maintenir la palette d'expédition sous la cuisinière. Retirer les grilles de four et le sachet de pièces de l'intérieur du four.
2. Ôter les vis du garde-pieds.



A. Garde-pieds  
B. Retirer ces vis.

3. Soulever le garde-pieds pour dégager la plaque des vis à épaulement.
4. Placer le garde-pieds sur le côté pour éviter d'érafler l'acier inoxydable.
5. Pour les modèles de 48" (121,9 cm) uniquement, faire pivoter le support central dans le sens antihoraire pour le dégager de la palette jusqu'à la butée.



**REMARQUE :** Ce support est utilisé uniquement pour l'expédition et n'est pas nécessaire à l'installation.

6. Disposer un morceau de carton (provenant du côté de l'emballage) sur le plancher derrière la cuisinière. À 2 personnes ou plus, saisir fermement chaque côté de la cuisinière. Soulever la cuisinière d'environ 3" (8,0 cm) et la déplacer vers l'arrière jusqu'à la faire descendre de la palette d'expédition. Installer la cuisinière sur le carton pour éviter d'endommager le plancher.



## Installation de la bride antibasculement

### **AVERTISSEMENT**



#### Risque de basculement

Un enfant ou une personne adulte peut faire basculer la cuisinière, ce qui peut causer un décès.

Fixer la bride antibasculement au plancher ou au mur, conformément aux instructions d'installation.

Faire glisser de nouveau la cuisinière de façon à ce que le pied arrière de la cuisinière se trouve dans la fente de la bride antibasculement.

Réengager la bride antibasculement si la cuisinière a été déplacée.

Ne pas faire fonctionner la cuisinière si la bride antibasculement n'est pas installée et engagée.

Le non-respect de ces instructions peut causer un décès ou des brûlures graves aux enfants et aux adultes.

- Déterminer la méthode de montage à utiliser : au plancher ou au mur.  
Pour un plancher en pierre ou en briquetage, on peut utiliser la méthode de montage au mur.
- Déterminer et marquer l'axe central de l'espace à découper. On doit installer la bride de montage du côté droit de l'ouverture découpée. Placer la bride de montage dans l'ouverture découpée tel qu'indiqué dans l'illustration suivante.

#### Mesure B :

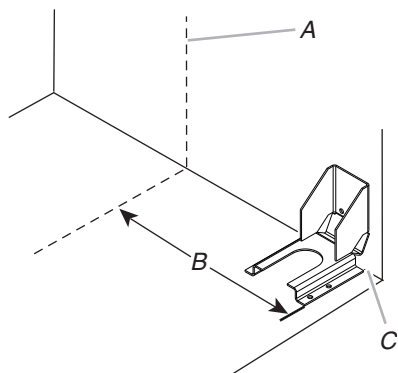
Cuisinières de 30" (76,2 cm) : 11 $\frac{5}{8}$ " (29,5 cm)

Cuisinières de 36" (91,4 cm) : 14 $\frac{5}{8}$ " (37,1 cm)

Cuisinières de 48" (121,9 cm) : 20 $\frac{5}{8}$ " (52,4 cm)

#### Mesure C :

Autre distance possible à partir de la paroi arrière. Si la paroi arrière est fabriquée à partir d'un matériau combustible et qu'aucun dossier n'est installé, un dégagement minimal de 6" (15,2 cm) est nécessaire pour tous les modèles. Adapter l'installation de la bride antibasculement.



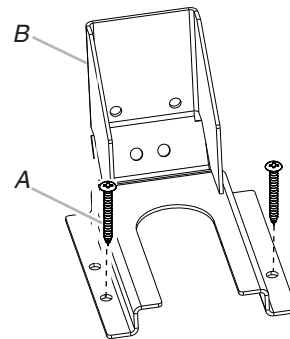
A. Axe central

B. Axe central de l'ouverture découpée jusqu'à l'axe central de la bride anti-basculement

C. Paroi arrière à l'arrière de la cuisinière

- Percer deux trous de  $\frac{1}{8}$ " (3,0 mm) qui correspondent aux trous de la bride selon la méthode de montage déterminée. Voir l'illustration ci-dessous.

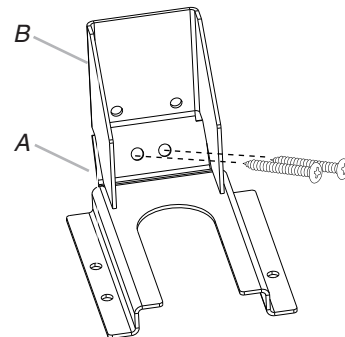
#### Montage au plancher



A. Vis n° 12 x 1 $\frac{5}{8}$ "

B. Bride antibasculement

#### Montage au mur



A. Vis n° 12 x 1 $\frac{5}{8}$ "

B. Bride antibasculement

- À l'aide d'un tournevis Phillips, monter la bride antibasculement au mur ou au plancher avec les deux vis n° 12 x 1 $\frac{5}{8}$ " fournies.

En fonction de l'épaisseur du plancher, des vis plus longues peuvent s'avérer nécessaires pour fixer la bride au sous-plancher. Des vis plus longues sont disponibles auprès de votre quincaillerie locale.

- Déplacer la cuisinière suffisamment près de l'ouverture pour pouvoir effectuer les raccordements électriques. Retirer la base d'expédition, le carton ou le panneau de fibres dur de sous la cuisinière.
- Poursuivre l'installation de la cuisinière en utilisant les instructions d'installation suivantes.

## Raccordement au gaz

### **⚠ AVERTISSEMENT**



#### Risque d'explosion

Utiliser une canalisation neuve d'arrivée de gaz approuvée par la CSA International.

Installer un robinet d'arrêt.

Bien serrer chaque organe de connexion de la canalisation de gaz.

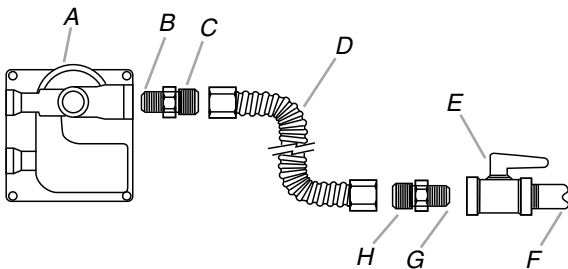
En cas de connexion au gaz propane, demander à une personne qualifiée de s'assurer que la pression de gaz ne dépasse pas 36 cm (14 po) de la colonne d'eau.

Par personne qualifiée, on comprend :

le personnel autorisé de chauffage,  
le personnel autorisé d'une compagnie de gaz, et  
le personnel d'entretien autorisé.

Le non-respect de ces instructions peut causer un décès, une explosion ou un incendie.

1. Assembler le connecteur flexible de la canalisation d'alimentation en gaz sur le régulateur de pression situé au milieu et à l'arrière de la cuisinière.
2. Appliquer un composé d'étanchéité des filetages résistant au propane sur l'extrémité fileté la plus petite des raccords d'adaptation flexibles (voir B et G ci-dessous).
3. Fixer un raccord d'adaptation sur le détendeur et l'autre raccord d'adaptation sur le robinet d'arrêt de la canalisation de gaz. Serrer les deux raccords d'adaptation.
4. Utiliser une clé mixte de  $1\frac{5}{16}$ " et une pince multiprise pour fixer le raccord flexible sur les raccords d'adaptation. S'assurer que le raccord n'est pas déformé.



A. Détendeur

B. Utiliser un composé d'étanchéité pour tuyauteries.

C. Raccord d'adaptation (doit comporter un filetage mâle de  $\frac{1}{2}$ " )

D. Raccord flexible

E. Robinet d'arrêt manuel

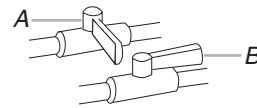
F. Tuyau de gaz de  $\frac{1}{2}$ " ou  $\frac{3}{4}$ "

G. Utiliser un composé d'étanchéité pour tuyauteries.

H. Raccord d'adaptation

### Achever le raccordement

1. Ouvrir le robinet d'arrêt manuel sur la canalisation de gaz. Le robinet est ouvert lorsque la poignée est parallèle au conduit d'alimentation en gaz.



A. Robinet fermé

B. Robinet ouvert

2. Vérifier tous les raccords en les badigeonnant d'une solution de détection des fuites non corrosive approuvée. L'apparition de bulles indique une fuite. Réparer toute fuite éventuelle.
3. Ôter les chapeaux, bases et grilles de brûleur de la table de cuisson du sachet de pièces. Placer les chapeaux de brûleur sur les bases de brûleur. Placer les grilles de brûleur sur les brûleurs et chapeaux.

### **⚠ AVERTISSEMENT**



#### Risque de choc électrique

Brancher sur une prise à 3 alvéoles reliée à la terre.

Ne pas enlever la broche de liaison à la terre.

Ne pas utiliser un adaptateur.

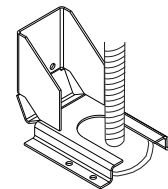
Ne pas utiliser un câble de rallonge.

Le non-respect de ces instructions peut causer un décès, un incendie ou un choc électrique.

4. Brancher la cuisinière sur une prise à 3 alvéoles reliée à la terre.
5. Ouvrir la source d'alimentation. Pour plus de renseignements, consulter les instructions pour l'utilisateur dans le Guide d'utilisation et d'entretien.

### Vérification de l'emplacement de la bride antibasculement

1. Tourner les 4 mire de nivellement d'un tour complet pour soulever la cuisinière et fournir suffisamment de dégagement pour que le pied de nivellement arrière puisse pénétrer dans la bride anti-basculement.

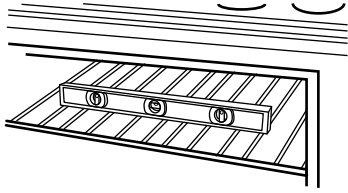


2. Déplacer la cuisinière vers son emplacement final en s'assurant que le pied de nivellement arrière glisse dans la bride antibasculement.
3. À l'aide d'une lampe de poche, inspecter le dessous de la cuisinière pour vérifier que le pied arrière de la cuisinière se trouve dans la fente de la bride antibasculement.

## Réglage de l'aplomb de la cuisinière

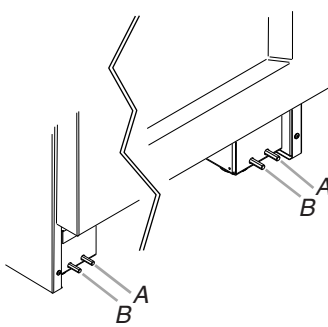
**REMARQUE :** La cuisinière doit être d'aplomb pour que les résultats de cuisson au four soient satisfaisants.

1. Placer la grille dans le four.
2. Placer un niveau sur la grille et contrôler l'aplomb de la cuisinière, d'abord transversalement, puis dans le sens avant/arrière.



3. Si la cuisinière n'est pas d'aplomb, ajuster les mires de nivellement. Tourner les mires de nivellement situées derrière le garde-pieds pour mettre la cuisinière d'aplomb et pour soulever ou abaisser la cuisinière à la hauteur de plan de travail désirée.

**REMARQUE :** Aucun pied à roulettes ne doit être en contact avec le sol lors de l'installation finale.

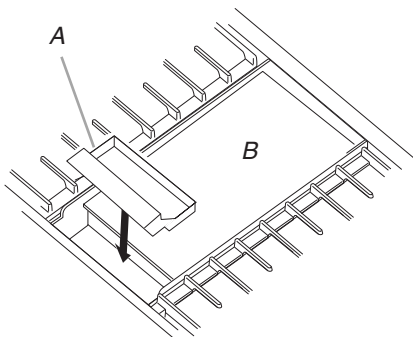


A. Mire de nivellement avant  
B. Mire de nivellement arrière

## Installation de la plaque à frire (sur modèles avec plaque à frire)

La plaque à frire est installée à l'usine.

1. Placer le plateau d'égouttement dans la cavité à l'avant de la plaque à frire. Faire glisser le plateau vers l'arrière jusqu'à la position de butée.



A. Plateau d'égouttement de la plaque à frire  
B. Plaque à frire

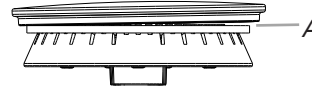
2. Nettoyer la plaque à frire avant de l'utiliser. Consulter le Guide d'utilisation et d'entretien.

## Système d'allumage électronique

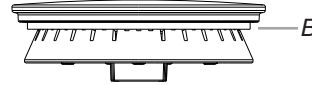
### Installation des bases et des chapeaux de brûleur

Installer la base du brûleur et s'assurer que l'électrode d'allumage est correctement alignée avec la base. Placer les chapeaux de brûleurs sur la tête des bases des brûleurs. Si les chapeaux de brûleurs ne sont pas correctement installés, les brûleurs de surface ne s'allumeront pas.

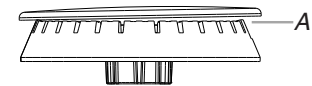
#### Brûleur à double flamme Ultra Power™ de 20 000 BTU/h



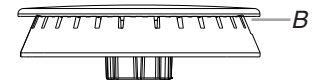
A. Incorrect  
B. Correct



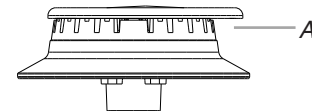
#### Brûleur de professionnel de 15 000 BTU/h



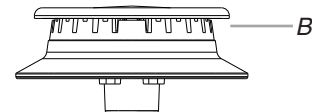
A. Incorrect  
B. Correct



#### Brûleur pour faire mijoter/fondre de 5 000 BTU/h



A. Incorrect  
B. Correct



### Allumage initial et réglages des flammes de gaz

À la place de flammes de veille, les brûleurs de la table de cuisson sont dotés d'allumeurs électroniques. Lorsqu'on place le bouton de commande de la table de cuisson à n'importe quelle position, le système génère une étincelle pour allumer le brûleur. Les étincelles continuent d'être générées jusqu'à ce que la flamme soit allumée ou que l'on tourne le bouton à Off (arrêt).

### Contrôle du fonctionnement des brûleurs de la table de cuisson

Enfoncer et tourner chaque bouton de commande à la position "LITE" (allumage).

Les brûleurs de surface et les flammes du gril doivent s'allumer en moins de 4 secondes. La première fois que l'on allume un brûleur, il peut prendre plus de 4 secondes pour s'allumer à cause de l'air se trouvant dans la canalisation de gaz.

Après avoir vérifié le bon fonctionnement du brûleur, tourner les boutons de commande à "OFF" (arrêt).

### Si les brûleurs ne s'allument pas correctement :

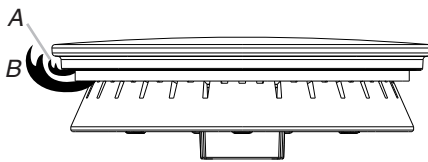
- Tourner le bouton de commande de la table de cuisson à la position "OFF" (arrêt).
- Vérifier que la cuisinière est branchée et que le disjoncteur n'est pas ouvert ou qu'un fusible n'a pas grillé.
- Vérifier que chaque robinet d'arrêt de gaz est à la position "open" (ouverture).
- Vérifier que les chapeaux de brûleurs sont correctement placés sur la base des brûleurs.

Répéter le processus de mise en marche. Si à ce stade un brûleur ne s'allume pas, contacter le revendeur ou un réparateur agréé.

### Hauteur de flamme

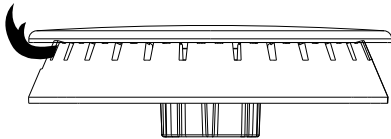
La flamme de la table de cuisson doit correspondre à une flamme bleue stable d'environ 1/4" (0,64 cm) de hauteur.

#### Brûleur à double flamme



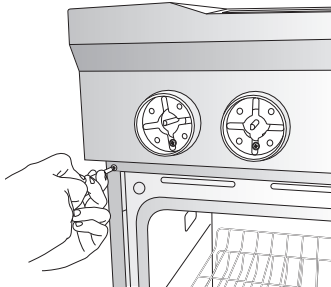
A. Flamme (mijotage) supérieure  
B. Flamme inférieure

#### Brûleur à flamme simple



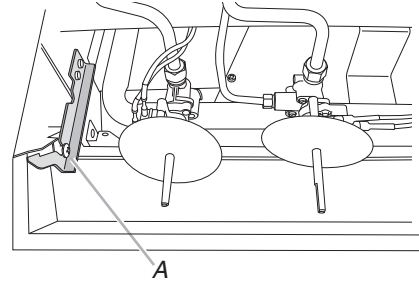
### Réglage de la taille des flammes :

1. Débrancher la cuisinière ou déconnecter la source de courant électrique.
2. Ôter les grilles de brûleur.
3. Ôter les boutons de commande.
4. Ouvrir la porte du four et ôter les 2 vis qui maintiennent la console de commande en place de chaque côté de la cuisinière.



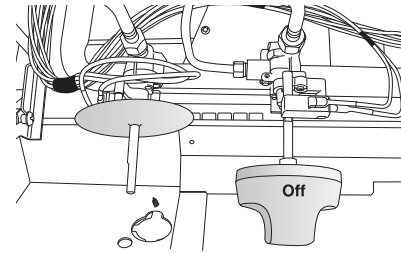
**REMARQUE :** Veiller à laisser la porte du four entrouverte, sans quoi la console de commande ne reposera pas correctement sur les brides latérales une fois détachée.

5. Tirer la console de commande vers le haut et la laisser retomber vers l'avant dans les brides à encoche de la console situées de chaque côté.

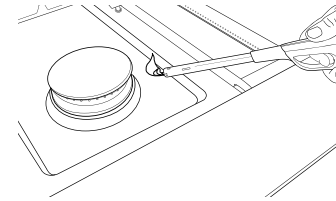


A. Bride de la console de commande

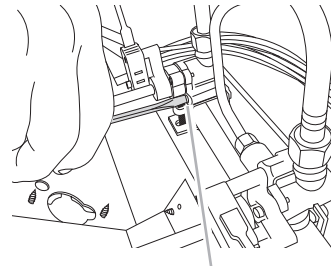
6. Ôter le joint circulaire de la tige de réglage du robinet.
7. Placer un bouton de commande sur la tige de réglage du brûleur que l'on souhaite régler.



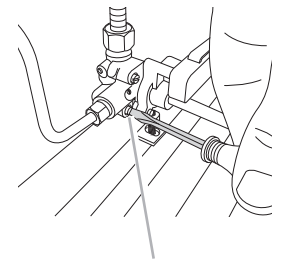
8. Tourner le bouton de commande à LO (faible) et allumer le brûleur avec un briquet à butane allongé.



9. Ôter le bouton de commande.
  10. Régler la hauteur de flamme à l'aide d'un tournevis à lame plate de 1/8" x 4 1/4". Serrer la vis pour réduire la hauteur de la flamme. Desserrer la vis pour augmenter la hauteur de flamme.
- REMARQUE :** Pour la conversion pour l'alimentation au propane, serrer complètement la vis de réglage sur les robinets à sortie unique. Aucun réglage n'est nécessaire sur le robinet à deux sorties.



A

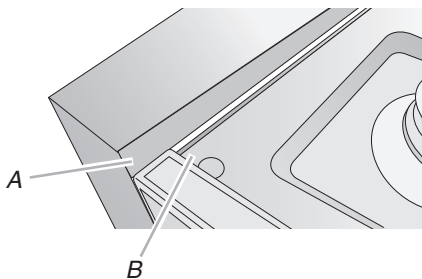


B

A. Vis de réglage du brûleur à flamme simple (du côté droit du robinet)  
B. Vis de réglage du brûleur à double flamme (du côté gauche du robinet)

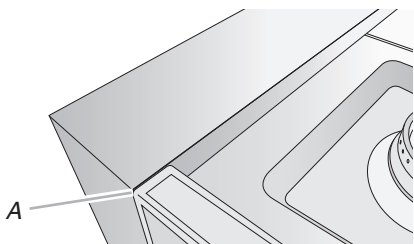
11. Lorsque l'on a terminé de régler la hauteur de flamme, replacer le bouton de commande sur la tige de réglage du robinet et éteindre le brûleur.
12. Ôter le bouton de commande.
13. Remettre en place le joint circulaire.

14. Répéter les étapes 6 à 13 pour tout autre brûleur nécessitant un réglage.
15. Soulever la console de commande et la remettre en place. Pour que les deux soient bien emboîtées, le rebord de la console de commande doit se rabattre par-dessus la bordure de l'avant de la table de cuisson de la cuisinière.



A. Rebord de la console de commande  
B. Bordure avant de la table de cuisson de la cuisinière

16. Vérifier que la console de commande est en affleurement avec le bord supérieur de la cuisinière.

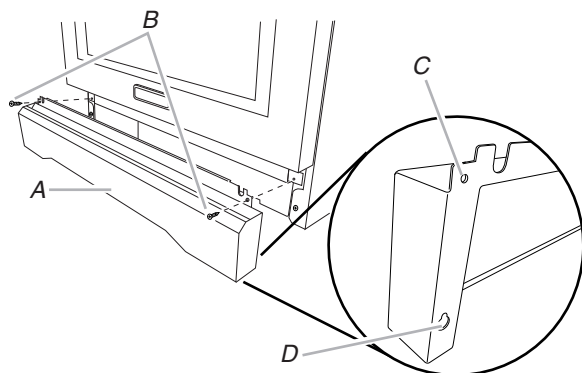


A. En affleurement avec le dessus de la cuisinière

17. Remettre en place les 2 vis de chaque côté de la console de commande.
18. Réinstaller les boutons de commande.
19. Réinstaller les grilles des brûleurs.
20. Tester la flamme en tournant le bouton de commande pour le faire passer de la position "LO" (basse) à la position "HI" (élevée) et observer les flammes pour chaque réglage.

## Réinstallation du garde-pieds

1. Aligner les trous de montage des vis à épaulement avec les vis à épaulement de la cuisinière.
2. Pousser le garde-pieds vers le bas contre l'avant de la cuisinière, jusqu'à ce que les trous de vis supérieures soient alignés avec les trous de montage à l'avant de la cuisinière.
3. Réinstaller les vis au sommet du garde-pieds.



A. Garde-pieds  
B. Visser à nouveau ces vis.  
C. Trou de vis supérieur  
D. Trou de montage de vis à épaulement

## Achever l'installation

1. Vérifier que toutes les pièces sont maintenant installées. S'il reste une pièce, passer en revue les différentes étapes pour découvrir laquelle aurait été oubliée.
2. Vérifier la présence de tous les outils.
3. Éliminer/recycler tous les matériaux d'emballage.
4. Pour l'utilisation et le nettoyage du four, lire le Guide d'utilisation et d'entretien.

### Contrôle du fonctionnement du/des brûleur(s) du four

1. Retirer les grilles du four et le couvercle du brûleur de cuisson au four et les mettre de côté sur une surface couverte.
2. Lancer un programme de cuisson au four. Consulter le Guide d'utilisation et d'entretien pour obtenir des instructions détaillées.

Le brûleur de cuisson au four doit s'allumer en moins de 8 secondes. Dans certaines circonstances, le brûleur peut mettre jusqu'à 60 secondes à s'allumer.

Des dispositifs d'allumage électronique sont utilisés pour l'allumage des brûleurs de cuisson au four.

**REMARQUE :** Les flammes de cuisson au four ne peuvent pas être réglées.

### Contrôle du fonctionnement du brûleur du gril

1. Retirer les grilles du four et les mettre de côté sur une surface couverte.
2. Lancer un programme de cuisson au gril. Consulter le Guide d'utilisation et d'entretien pour obtenir des instructions détaillées.

Le brûleur de cuisson au gril doit s'allumer en moins de 8 secondes. Dans certaines circonstances, le brûleur peut mettre jusqu'à 60 secondes à s'allumer.

Des dispositifs d'allumage électronique sont utilisés pour l'allumage du brûleur de cuisson au gril.

**REMARQUE :** Les flammes de cuisson au gril ne peuvent pas être réglées.

### Si vous avez besoin d'assistance ou de service :

Consulter la section "Assistance ou service" du Guide d'utilisation et d'entretien ou contacter le marchand chez qui vous avez acheté votre cuisinière.

# CONVERSIONS POUR CHANGEMENT DE GAZ

**IMPORTANT :** L'opération de conversion de l'appareil (pour l'alimentation au gaz propane au lieu du gaz naturel) doit être exécutée par un installateur qualifié.

## ⚠ AVERTISSEMENT



### Risque d'explosion

Utiliser une canalisation neuve d'arrivée de gaz approuvée par la CSA International.

Installer un robinet d'arrêt.

Bien serrer chaque organe de connexion de la canalisation de gaz.

En cas de connexion au gaz propane, demander à une personne qualifiée de s'assurer que la pression de gaz ne dépasse pas 36 cm (14 po) de la colonne d'eau.

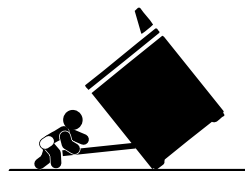
Par personne qualifiée, on comprend :

le personnel autorisé de chauffage,  
le personnel autorisé d'une compagnie de gaz, et  
le personnel d'entretien autorisé.

Le non-respect de ces instructions peut causer un décès, une explosion ou un incendie.

## Conversion pour l'alimentation au propane

## ⚠ AVERTISSEMENT



### Risque de basculement

Un enfant ou une personne adulte peut faire basculer la cuisinière, ce qui peut causer un décès.

Fixer la bride antibasculement au plancher ou au mur, conformément aux instructions d'installation.

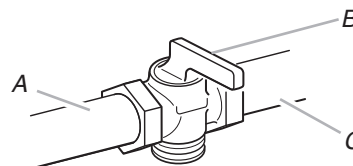
Faire glisser de nouveau la cuisinière de façon à ce que le pied arrière de la cuisinière se trouve dans la fente de la bride antibasculement.

Réengager la bride antibasculement si la cuisinière a été déplacée.

Ne pas faire fonctionner la cuisinière si la bride antibasculement n'est pas installée et engagée.

Le non-respect de ces instructions peut causer un décès ou des brûlures graves aux enfants et aux adultes.

1. Tourner le robinet d'arrêt manuel pour le placer à la position de fermeture.

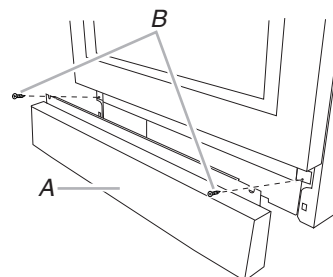


A. Vers la cuisinière  
B. Robinet d'arrêt (position de fermeture)  
C. Canalisation d'alimentation en gaz

2. Débrancher la cuisinière ou déconnecter la source de courant électrique.

## Conversion du détendeur

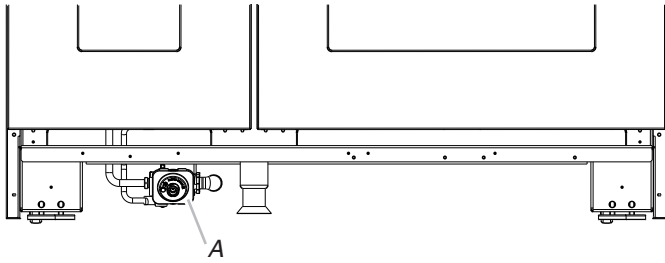
1. Ôter les vis du garde-pieds.



A. Garde-pieds  
B. Retirer ces vis.



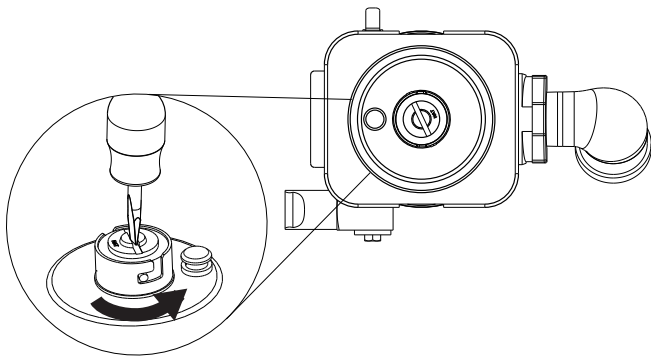
- Soulever le garde-pieds pour dégager la plaque des vis à épaulement.
- Placer le garde-pieds sur le côté avec précaution pour éviter d'érafler l'acier inoxydable.
- Localiser le détendeur situé du côté arrière gauche de la cuisinière.



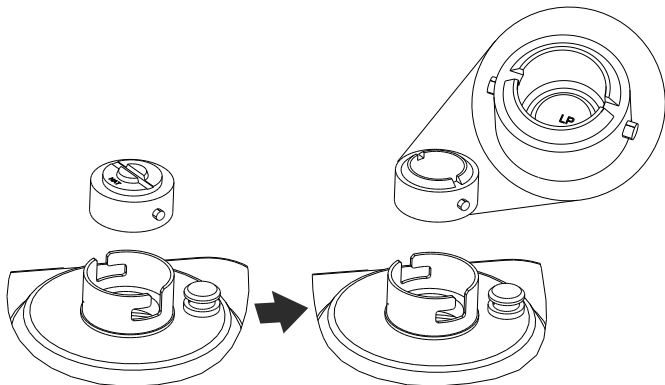
A. Détendeur

- Retirer le chapeau du détendeur à l'aide d'un gros tournevis à lame plate en tournant le chapeau du détendeur dans le sens antihoraire.

**REMARQUE :** Ne pas enlever le ressort situé sous le chapeau.



- Retourner le chapeau du détendeur et le réinstaller sur le détendeur de façon à ce que l'extrémité creuse soit orientée vers l'extérieur et que les lettres "LP" (propane) soient visibles.



- Serrer le chapeau du détendeur à l'aide d'un gros tournevis à lame plate en tournant le chapeau du détendeur dans le sens horaire.
- Tester le détendeur et la canalisation de gaz.

On doit tester le détendeur sous une pression supérieure d'au moins 1" (2,5 cm) (colonne d'eau) à la pression de réglage. Pour le fonctionnement et le contrôle du réglage du détendeur, il faut que la pression d'admission au détendeur corresponde aux indications ci-dessous :

#### Gaz propane :

Pression minimale de 11" (27,9 cm) (colonne d'eau)  
Pression maximale de 14" (35,6 cm) (colonne d'eau).

#### Test de pressurisation de la canalisation de gaz

On doit tester le détendeur sous une pression supérieure d'au moins 1" (colonne d'eau) à la pression de la tubulure de distribution indiquée sur la plaque signalétique.

#### Pressurisation à une pression supérieure à ½ lb/po<sup>2</sup> (14" – colonne d'eau)

Pour tout test de pressurisation du système à une pression supérieure à ½ lb/po<sup>2</sup> (3,5 kPa), on doit déconnecter la cuisinière et son robinet d'arrêt des canalisations d'alimentation en gaz à pressuriser.

#### Pressurisation à une pression de ½ lb/po<sup>2</sup> (14" – colonne d'eau) ou moins

La cuisinière devra être isolée des canalisations d'alimentation en gaz par la fermeture du robinet d'arrêt manuel individuel durant tout test de pressurisation des canalisations d'alimentation en gaz à une pression égale ou inférieure à ½ lb/po<sup>2</sup> (3,5 kPa).

#### Pour convertir le brûleur de cuisson au four (modèles de 30" [76,2 cm] et de 36" [91,4 cm] et la cavité du four de droite sur les modèles de 48" [121,9 cm])

- Retirer les grilles du four et la grille coulissante déployable de l'intérieur de la cavité du four. Voir la section "Grille coulissante déployable" du Guide d'utilisation et d'entretien.

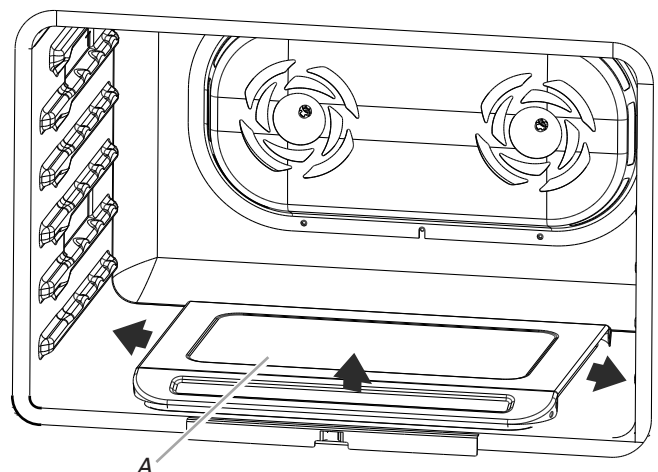
## ⚠ AVERTISSEMENT

### Risque du poids excessif

Utiliser deux personnes ou plus pour déplacer et installer les portes du four.

Le non-respect de cette instruction peut causer une blessure au dos ou d'autre blessure.

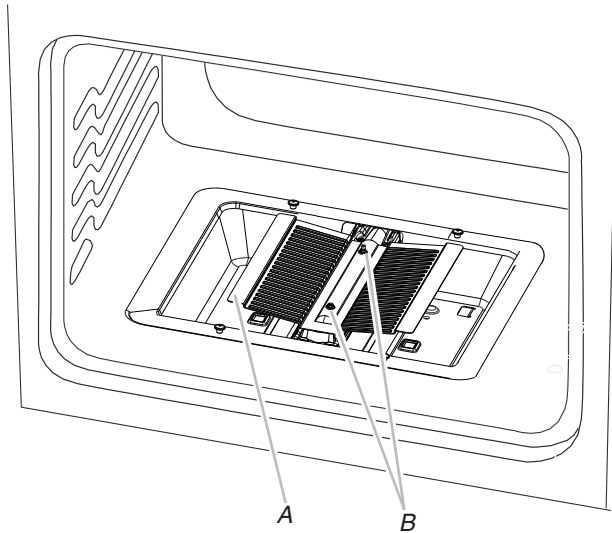
- Enlever la porte. Voir la section "Porte du four" du guide d'utilisation et d'entretien.
- Faire glisser le couvercle du brûleur de cuisson au four vers la droite ou vers la gauche.



A

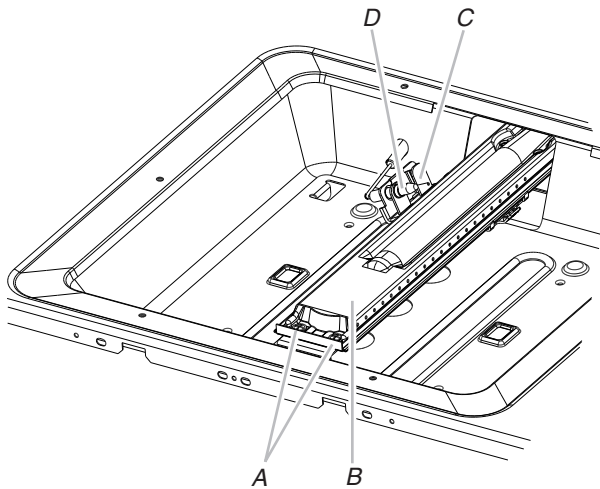
A. Couvercle du brûleur de cuisson au four

4. Retirer le couvercle de brûleur de cuisson au four en le soulevant et le mettre de côté.
5. Dévisser les écrous du déflecteur du four et retirer le déflecteur du four. Le mettre de côté.



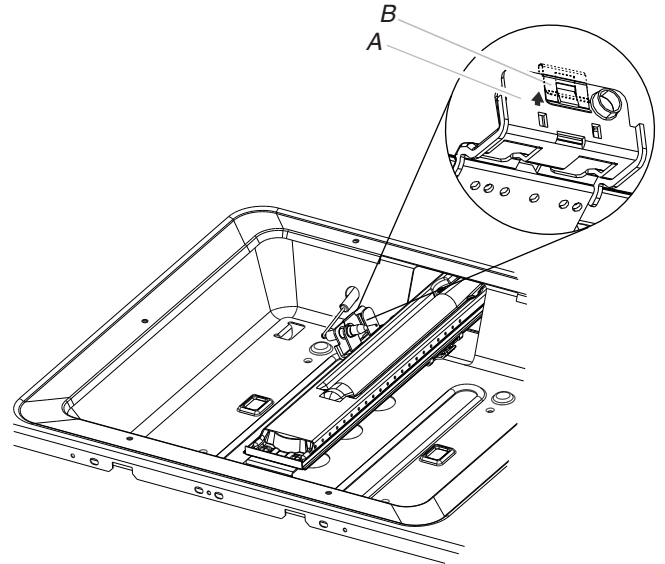
A. Déflecteur du four  
B. Écrous du déflecteur du four

6. Retirer les vis du brûleur de cuisson au four et le brûleur de cuisson au four et les mettre de côté avec précaution.



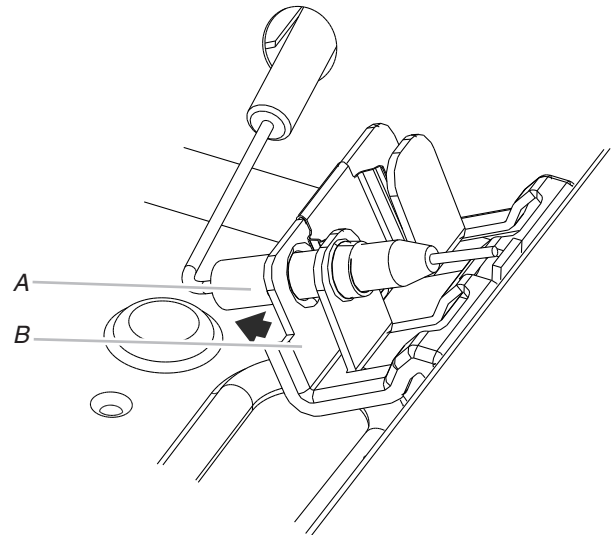
A. Vis du brûleur de cuisson au four  
B. Brûleur de cuisson au four  
C. Support de l'électrode du brûleur de cuisson au four  
D. Électrode du brûleur de cuisson au four

7. Soulever l'attache située sur le support de l'électrode du brûleur de cuisson au four avec le doigt ou avec un tournevis à lame plate.



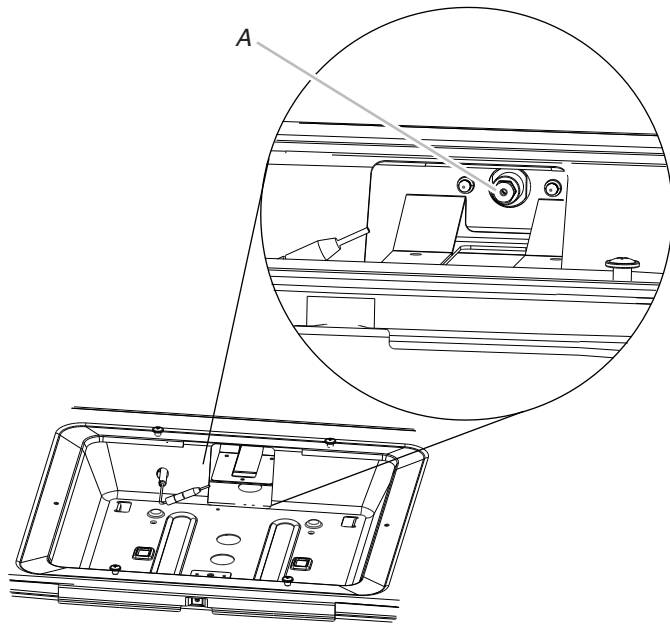
A. Support de l'électrode du brûleur de cuisson au four  
B. Attache du support de l'électrode

8. Dégager l'électrode du support.



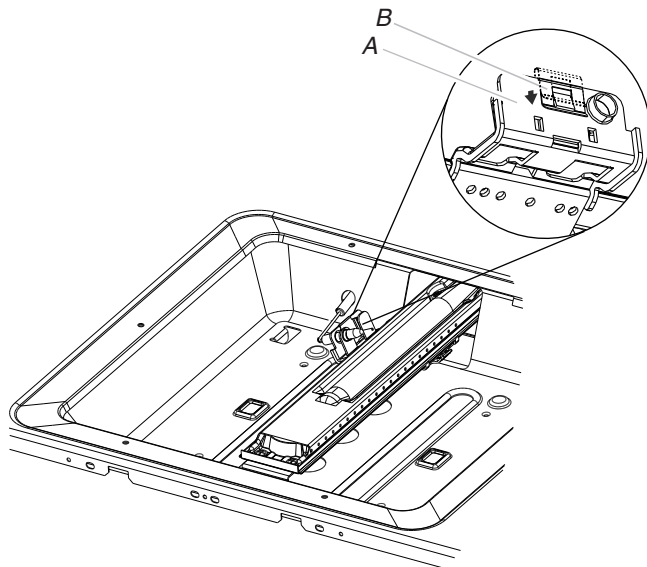
A. Saisir l'électrode ici.  
B. Support

9. Appliquer du ruban adhésif de masquage à l'extrémité d'un tourne-écrou de 7 mm pour retenir le gicleur du brûleur dans le tourne-écrou durant l'extraction. Insérer le tourne-écrou dans l'ouverture de gaz, appuyer sur le gicleur et le retirer en le faisant tourner dans le sens antihoraire et en le soulevant. Conserver à part le gicleur du brûleur.



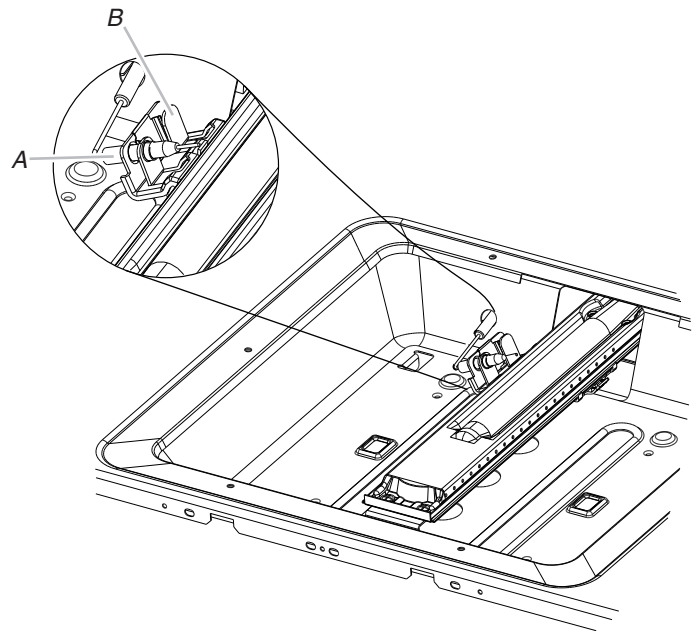
A. Gicleur

10. Les gicleurs portent une inscription - une lettre et un nombre. Installer le gicleur de brûleur de cuisson au four numéro 125.
11. Placer le gicleur pour gaz naturel dans le sachet en plastique contenant les pièces et conserver le tout avec le sachet de documentation pour pouvoir le réutiliser ultérieurement.
12. Enfoncer l'attache sur le support de l'électrode.



A. Support de l'électrode du brûleur de cuisson au four  
B. Attache du support de l'électrode

13. Réinstaller l'électrode du brûleur de cuisson au four à l'intérieur du support.

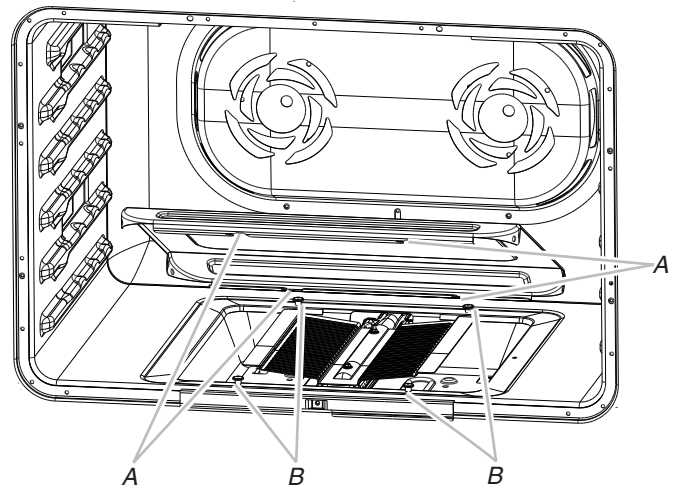


A. Électrode du brûleur de cuisson au four  
B. Support de l'électrode du brûleur de cuisson au four

14. Réinstaller le brûleur de cuisson au four et les vis du brûleur de cuisson au four. Voir l'étape 6 pour l'illustration.
15. Réinstaller le déflecteur du four et les écrous du déflecteur du four.

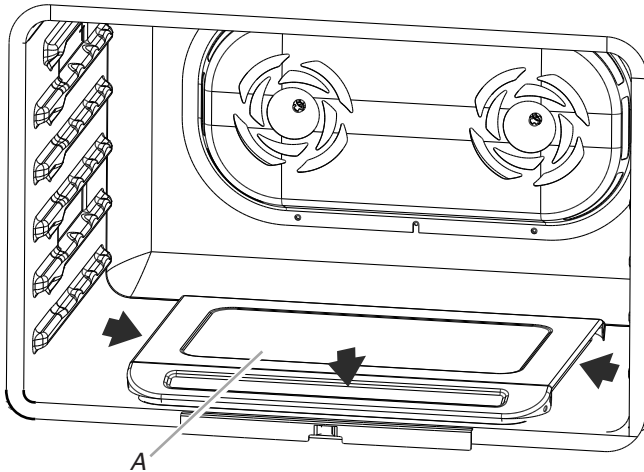
#### Réinstaller le couvercle du brûleur de cuisson au four

1. Aligner les encoches du couvercle du brûleur du four avec les vis à épaulement dans le fond du four.



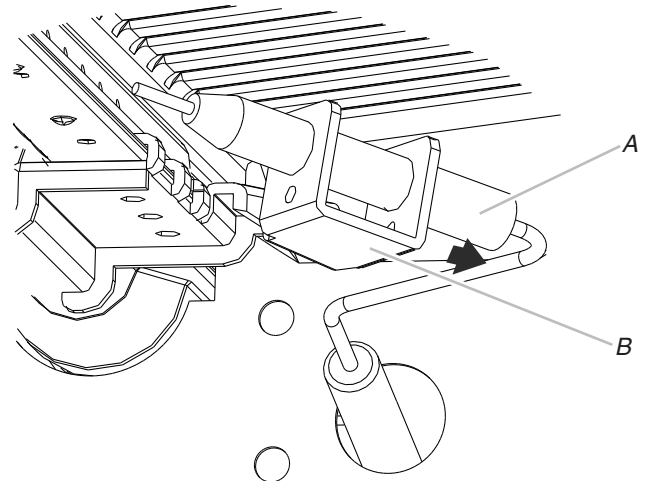
A. Encoches de couvercle (4)  
B. Vis à épaulement (4)

2. Abaisser le couvercle et le faire glisser vers la gauche ou vers la droite pour faire glisser les vis à épaulement dans les extrémités étroites des encoches puis emboîter le tout.



A. Brûleur de cuisson au four – couvercle

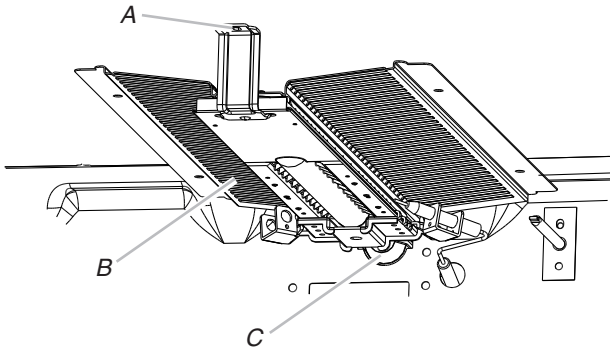
2. Tirer le brûleur de cuisson au grill vers soi jusqu'à ce qu'il ressorte de l'orifice à l'arrière du four puis dégager l'électrode du support. Le brûleur de cuisson au grill pend à l'arrière du four pendant que l'on change le gicleur.



A. Saisir l'électrode ici.  
B. Support

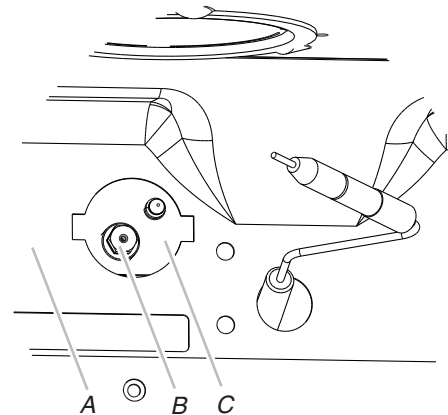
**Pour convertir le brûleur de cuisson au grill (modèles de 30" [76,2 cm] et de 36" [91,4 cm] et la cavité du four de droite sur les modèles de 48" [121,9 cm])**

1. Retirer la vis du brûleur de cuisson au grill et la mettre de côté.



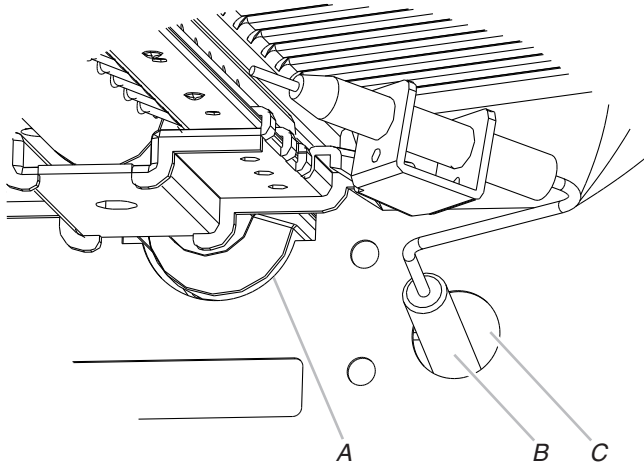
A. Vis du brûleur de cuisson au grill  
B. Brûleur de cuisson au grill  
C. Orifice du gicleur de brûleur de cuisson au grill

3. Appliquer du ruban adhésif de masquage à l'extrémité d'un tourne-écrou de 7 mm pour retenir le gicleur du brûleur dans le tourne-écrou durant l'extraction. Insérer le tourne-écrou dans l'ouverture de gaz, appuyer sur le gicleur et le retirer en le faisant tourner dans le sens antihoraire et en le soulevant. Conserver à part le gicleur du brûleur.



A. Arrière du four  
B. Gicleur du brûleur de cuisson au grill  
C. Orifice du gicleur de brûleur de cuisson au grill

- Les gicleurs portent une inscription - une lettre et un nombre. Installer le gicleur de brûleur de cuisson au grill numéro 97.
- Placer le gicleur pour gaz naturel dans le sachet en plastique contenant les pièces et conserver le tout avec le sachet de documentation pour pouvoir le réutiliser ultérieurement.
- Replacer le brûleur de cuisson au grill dans l'orifice à l'arrière du four avec l'électrode du brûleur de cuisson au grill à l'intérieur de l'orifice du brûleur de cuisson au grill, tel qu'illustré.

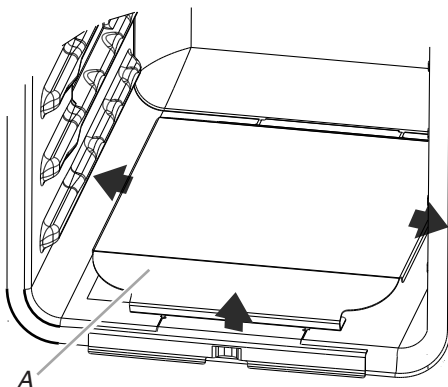


A. Orifice du gicleur de brûleur de cuisson au grill  
 B. Électrode du brûleur de cuisson au grill  
 C. Orifice de l'électrode du brûleur de cuisson au grill

- Réinstaller la vis du brûleur de cuisson au grill. Voir l'étape 1 pour l'illustration.

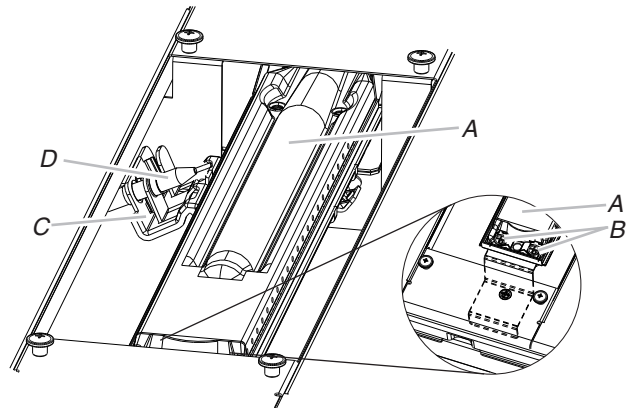
### Pour convertir le brûleur de cuisson au four (cavité du four de gauche sur les modèles de 48" [121,9 cm])

- Ôter les grilles du four.
- Enlever la porte du four. Voir la section "Porte du four" du guide d'utilisation et d'entretien.
- Faire glisser le couvercle du brûleur de cuisson au four vers la droite ou vers la gauche.



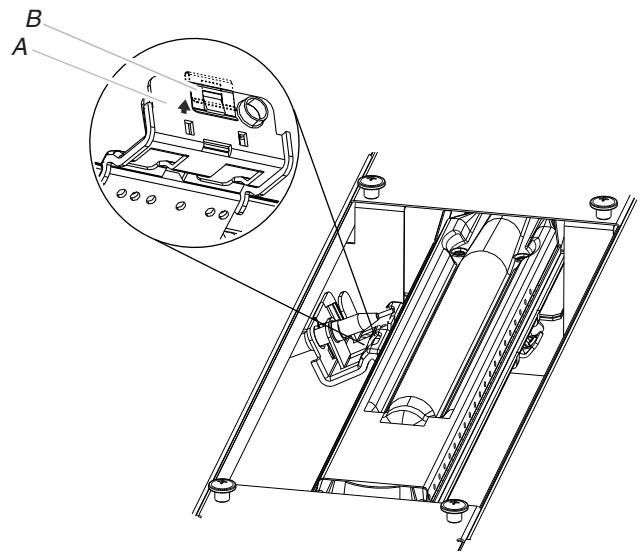
A. Brûleur de cuisson au four - couvercle

- Retirer le couvercle de brûleur de cuisson au four en le soulevant et le mettre de côté.
- Retirer les vis du brûleur de cuisson au four et le brûleur de cuisson au four et les mettre de côté avec précaution.



A. Brûleur de cuisson au four  
 B. Vis du brûleur de cuisson au four  
 C. Support de l'électrode du brûleur de cuisson au four  
 D. Électrode du brûleur de cuisson au four

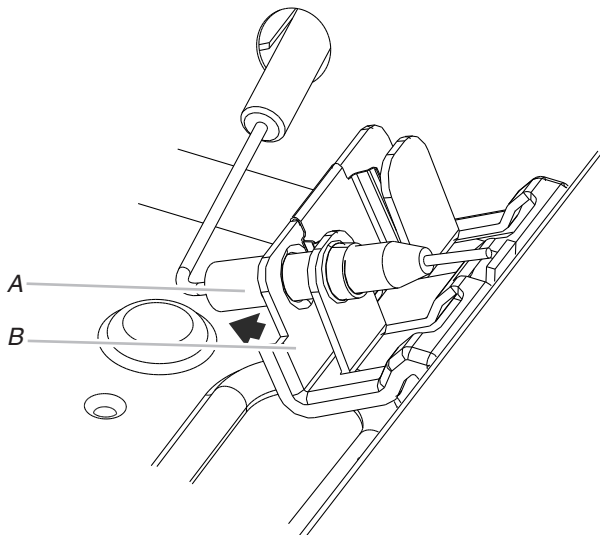
- Soulever l'attache située sur le support de l'électrode du brûleur de cuisson au four avec le doigt ou avec un tournevis à lame plate.



A. Support de l'électrode du brûleur de cuisson au four  
 B. Attache du support de l'électrode

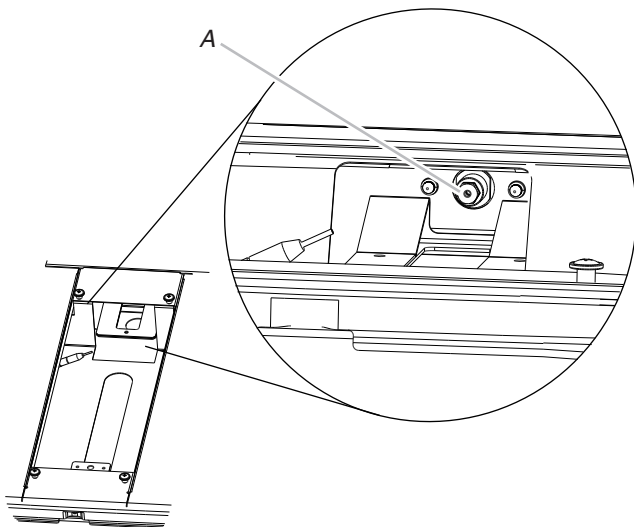


7. Dégager l'électrode du support.



A. Saisir l'électrode ici.  
B. Support

8. Appliquer du ruban adhésif de masquage à l'extrémité d'un tourne-écrou de 7 mm pour retenir le gicleur du brûleur dans le tourne-écrou durant l'extraction. Insérer le tourne-écrou dans l'ouverture de gaz, appuyer sur le gicleur et le retirer en le faisant tourner dans le sens antihoraire et en le soulevant. Conserver à part le gicleur du brûleur.

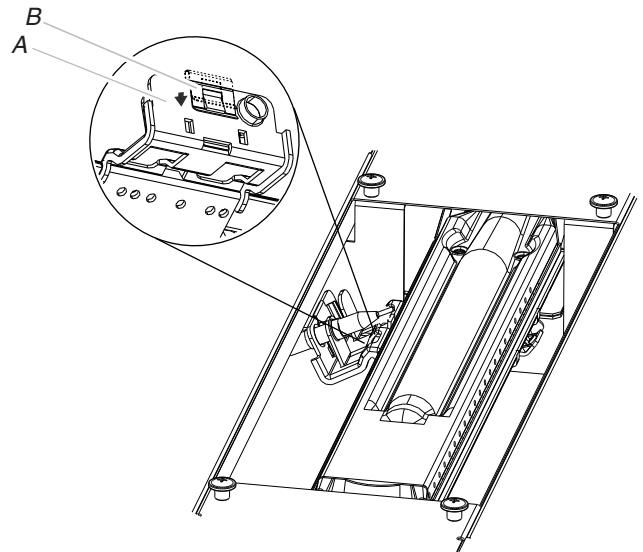


A. Gicleur

9. Les gicleurs portent une inscription - une lettre et un nombre. Installer le gicleur de brûleur de cuisson au four numéro 105.

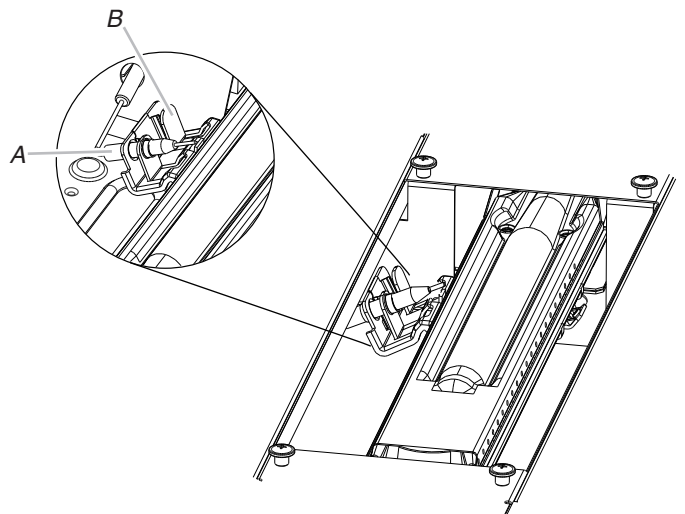
10. Placer le gicleur pour gaz naturel dans le sachet en plastique contenant les pièces et conserver le tout avec le sachet de documentation pour pouvoir le réutiliser ultérieurement.

11. Enfoncer l'attache sur le support de l'électrode.



A. Support de l'électrode du brûleur de cuisson au four  
B. Attache du support de l'électrode

12. Réinstaller l'électrode du brûleur de cuisson au four à l'intérieur du support.

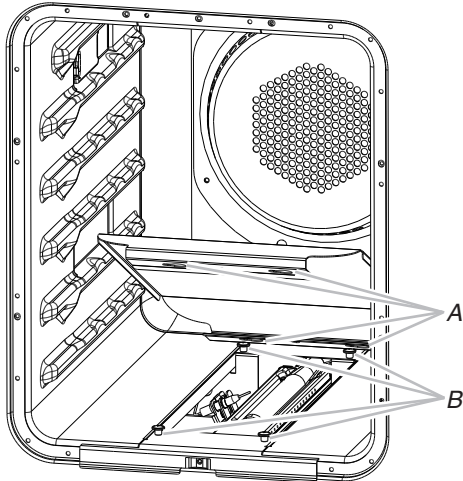


A. Électrode du brûleur de cuisson au four  
B. Support de l'électrode du brûleur de cuisson au four

13. Réinstaller le brûleur de cuisson au four et les vis du brûleur de cuisson au four. Voir l'étape 5 pour l'illustration.

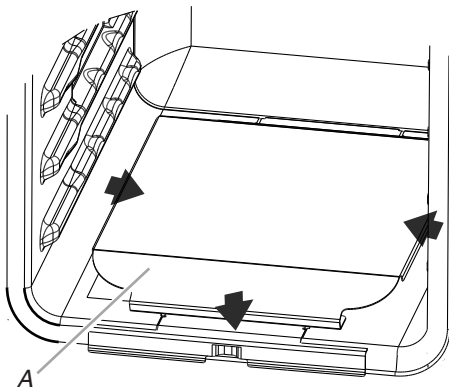
## Réinstaller le couvercle du brûleur de cuisson au four

1. Aligner les trous de montage des vis arrière à épaulement (encoches allongées) du couvercle de brûleur de cuisson au four avec les vis à épaulement dans le fond du four.



A. Trous de montage (encoches allongées) de vis à épaulement  
B. Vis à épaulement

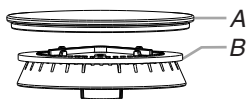
2. Abaisser le couvercle et le faire glisser vers la gauche ou vers la droite pour faire glisser les vis à épaulement dans les extrémités étroites des encoches allongées puis emboîter le tout.



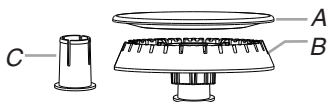
A. Brûleur de cuisson au four – couvercle

## Conversion des brûleurs de surface

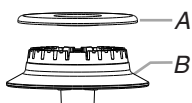
1. Enlever les grilles de brûleur si elles sont installées.
2. Ôter le chapeau de brûleur.
3. Ôter la base du brûleur.



**Gros brûleur à double flamme**  
A. Chapeau de brûleur  
B. Base du brûleur



**Brûleur moyen**  
A. Chapeau de brûleur  
B. Base du brûleur  
C. Douille de réduction (pour utilisation avec le brûleur de moyenne puissance, uniquement pour l'alimentation au propane).



**Petit brûleur**  
A. Chapeau de brûleur  
B. Base du brûleur

4. Appliquer du ruban adhésif de masquage à l'extrémité d'un tourne-écrou de 7 mm pour retenir le gicleur du brûleur dans le tourne-écrou durant l'extraction. Insérer le tourne-écrou dans l'ouverture de gaz, appuyer sur le gicleur et le retirer en le faisant tourner dans le sens antihoraire et en le soulevant. Conserver à part le gicleur du brûleur.

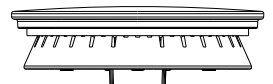
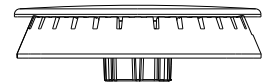
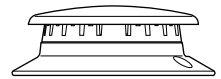
5. Remplacer le gicleur par un gicleur pour gaz propane de taille correcte. Voir le "Tableau de sélection des gicleurs/injecteurs pour gaz propane".

Suivre les indications du tableau ci-dessous pour pouvoir déterminer l'emplacement exact de chaque gicleur de brûleur.

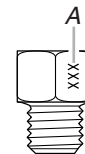
Insérer complètement la douille de réduction au fond de la base du brûleur de moyenne puissance. La douille doit s'emboîter en place.

## Tableau de sélection des gicleurs/injecteurs pour gaz propane

Puissance thermique	Couleur	Taille	Style de brûleur
3 000 BTU	Bleu	0,55 mm	Petits brûleurs
11 000 BTU	Jaune	0,97 mm	Brûleurs moyens
14 000 BTU	Rouge/ Vert	1,05mm 0,35 mm	Gros brûleur - principal Gros brûleur - mijotage
14 500 BTU	Noir	1,18 mm	Brûleur du grill



## Gicleur de brûleur

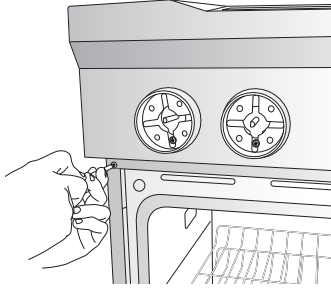


A. Marquage ou couleur pour identification de la taille

6. Placer le gicleur pour gaz naturel dans le sachet en plastique contenant les pièces et conserver le tout avec le sachet de documentation pour pouvoir le réutiliser ultérieurement.
7. Réinstaller la base du brûleur.
8. Réinstaller le chapeau de brûleur.
9. Répéter les étapes 2 à 8 pour les autres brûleurs.
10. Débrancher la cuisinière ou déconnecter la source de courant électrique.
11. Ôter les boutons de commande.

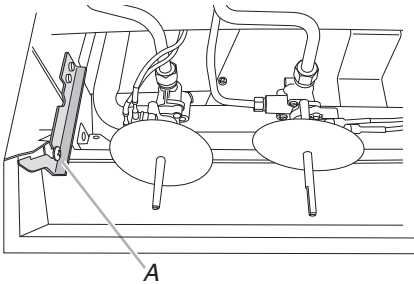


12. Ouvrir la porte du four et ôter les 2 vis qui maintiennent la console de commande en place de chaque côté de la cuisinière.



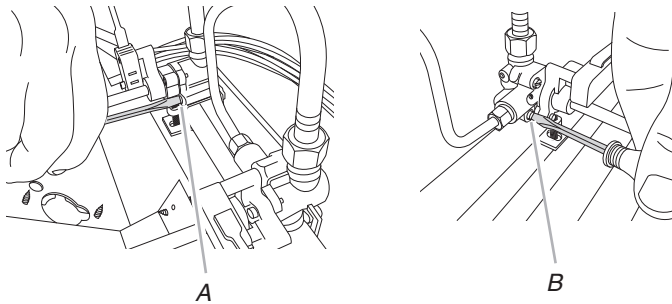
**REMARQUE :** Veiller à laisser la porte du four entrouverte, sans quoi la console de commande ne reposera pas correctement sur les brides latérales une fois détachée.

13. Tirer la console de commande vers le haut et la laisser retomber vers l'avant dans les brides à encoche de la console situées de chaque côté.



A. Brides de la console de commande

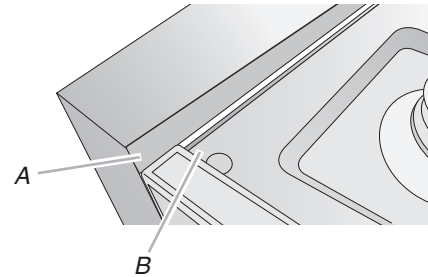
14. Ôter le joint circulaire de la tige de réglage du robinet.  
15. À l'aide d'un tournevis à lame plate de  $\frac{1}{8}$ " x  $4 \frac{1}{4}$ ", serrer complètement les vis de chaque brûleur.



A. Vis de réglage du brûleur à flamme simple (du côté droit du robinet)  
B. Vis de réglage du brûleur à double flamme (du côté gauche du robinet)

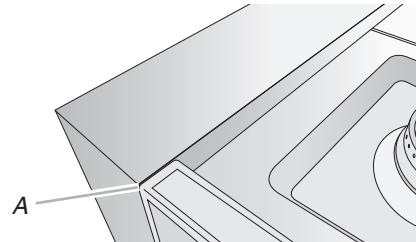
16. Remettre en place le joint circulaire.

17. Soulever la console de commande et la remettre en place. Pour que les deux soient bien emboîtées, le rebord de la console de commande doit se rabattre par-dessus la bordure avant de la table de cuisson de cuisinière.



A. Rebord de la console de commande  
B. Bordure avant de table de cuisson de cuisinière

18. Vérifier que la console de commande est en affleurement avec le bord supérieur de la cuisinière.



A. En affleurement avec le dessus de la cuisinière

19. Remettre en place les 2 vis de chaque côté de la console de commande.  
20. Réinstaller les boutons de commande.  
21. Réinstaller les grilles des brûleurs.

### Achever l'installation

1. Pour le raccordement correct de la cuisinière à la canalisation de gaz, se reporter à la section "Raccordement au gaz".
2. Pour l'allumage et l'utilisation corrects du brûleur ainsi que le réglage des flammes sur le brûleur, voir la section "Système d'allumage électronique".

**IMPORTANT :** Il peut être nécessaire de modifier le réglage des flammes à la position du débit thermique minimum "LO" pour chaque brûleur de la table de cuisson.

Il est très important de vérifier l'établissement de flammes correctes sur les brûleurs de la table de cuisson. Le petit cône interne doit comporter une flamme bleue très distincte de  $\frac{1}{4}$ " (0,64 cm) à  $\frac{1}{2}$ " (1,3 cm) de longueur. Le cône externe n'est pas aussi distinct que le cône interne. Les flammes d'un brûleur alimenté au propane comportent une pointe légèrement jaune.

3. Voir le paragraphe "Achever l'installation" de la section "Instructions d'installation" du présent manuel pour achever cette procédure.

## Conversion pour l'alimentation au gaz naturel

### **AVERTISSEMENT**



#### Risque de basculement

Un enfant ou une personne adulte peut faire basculer la cuisinière, ce qui peut causer un décès.

Fixer la bride antibasculement au plancher ou au mur, conformément aux instructions d'installation.

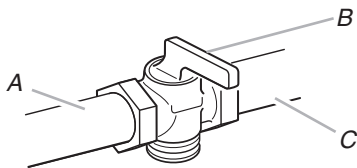
Faire glisser de nouveau la cuisinière de façon à ce que le pied arrière de la cuisinière se trouve dans la fente de la bride antibasculement.

Réengager la bride antibasculement si la cuisinière a été déplacée.

Ne pas faire fonctionner la cuisinière si la bride antibasculement n'est pas installée et engagée.

Le non-respect de ces instructions peut causer un décès ou des brûlures graves aux enfants et aux adultes.

1. Tourner le robinet d'arrêt manuel pour le placer à la position de fermeture.

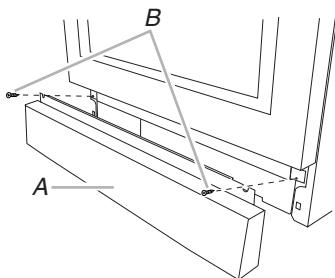


A. Vers la cuisinière  
B. Robinet d'arrêt (position de fermeture)  
C. Canalisation d'alimentation en gaz

2. Débrancher la cuisinière ou déconnecter la source de courant électrique.

### Conversion du détendeur

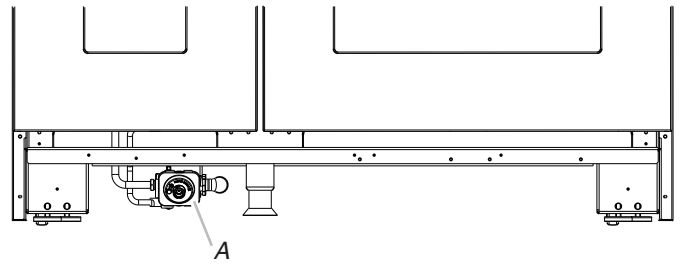
1. Ôter les vis du garde-pieds.



A. Garde-pieds  
B. Retirer ces vis.

2. Soulever le garde-pieds pour dégager la plaque des vis à épaulement.

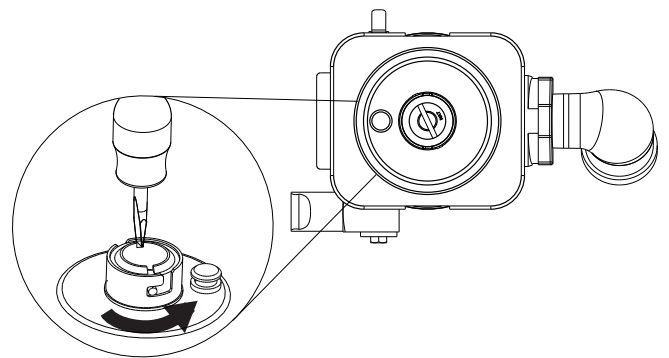
3. Placer le garde-pieds sur le côté avec précaution pour éviter d'érafler l'acier inoxydable.
4. Localiser le détendeur situé du côté arrière gauche de la cuisinière.



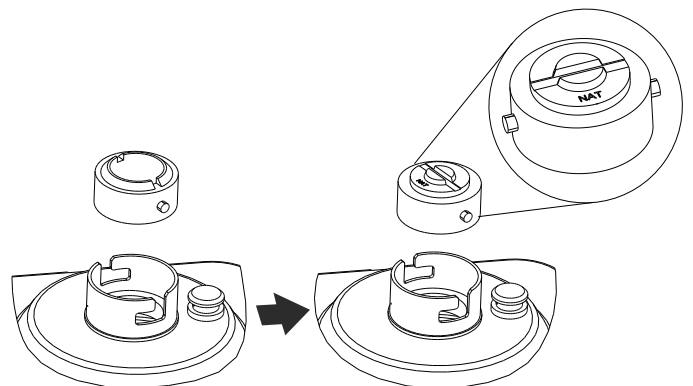
A. Détendeur

5. Retirer le chapeau du détendeur à l'aide d'un gros tournevis à lame plate en tournant le chapeau du détendeur dans le sens antihoraire.

**REMARQUE :** Ne pas enlever le ressort situé sous le chapeau.



6. Retourner le chapeau du détendeur et le réinstaller sur le détendeur de façon à ce que l'extrémité creuse soit orientée vers l'extérieur et que les lettres "NAT" (gaz naturel) soient visibles.



7. Serrer le chapeau du détendeur à l'aide d'un gros tournevis à lame plate en tournant le chapeau du détendeur dans le sens horaire.

8. Tester le détendeur et la canalisation de gaz.

On doit tester le détendeur sous une pression supérieure d'au moins 1" (2,5 cm) (colonne d'eau) à la pression de réglage. Pour le fonctionnement et le contrôle du réglage du détendeur, il faut que la pression d'admission au détendeur corresponde aux indications ci-dessous :

**Gaz naturel :**

Pression minimale de 6" (15,2 cm) (colonne d'eau)  
Pression maximale de 14" (35,6 cm) (colonne d'eau).

**Test de pressurisation de la canalisation de gaz**

On doit tester le détendeur sous une pression supérieure d'au moins 1" (colonne d'eau) à la pression de la tubulure de distribution indiquée sur la plaque signalétique.

**Pressurisation à une pression supérieure à ½ lb/po<sup>2</sup> (14" – colonne d'eau)**

Pour tout test de pressurisation du système à une pression supérieure à ½ lb/po<sup>2</sup> (3,5 kPa), on doit déconnecter la cuisinière et son robinet d'arrêt des canalisations d'alimentation en gaz à pressuriser.

**Pressurisation à une pression de ½ lb/po<sup>2</sup> (14" – colonne d'eau) ou moins**

La cuisinière devra être isolée des canalisations d'alimentation en gaz par la fermeture du robinet d'arrêt manuel individuel durant tout test de pressurisation des canalisations d'alimentation en gaz à une pression égale ou inférieure à ½ lb/po<sup>2</sup> (3,5 kPa).

**Pour convertir le brûleur de cuisson au four (modèles de 30" [76,2 cm] et de 36" [91,4 cm] et la cavité du four de droite sur les modèles de 48" [121,9 cm])**

1. Retirer les grilles du four et la grille coulissante déployable de l'intérieur de la cavité du four. Voir la section "Grille coulissante déployable" du Guide d'utilisation et d'entretien.

**⚠ AVERTISSEMENT**

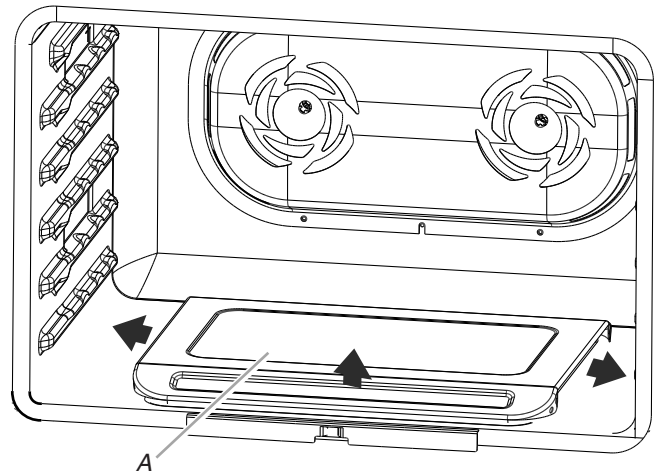
**Risque du poids excessif**

Utiliser deux personnes ou plus pour déplacer et installer les portes du four.

Le non-respect de cette instruction peut causer une blessure au dos ou d'autre blessure.

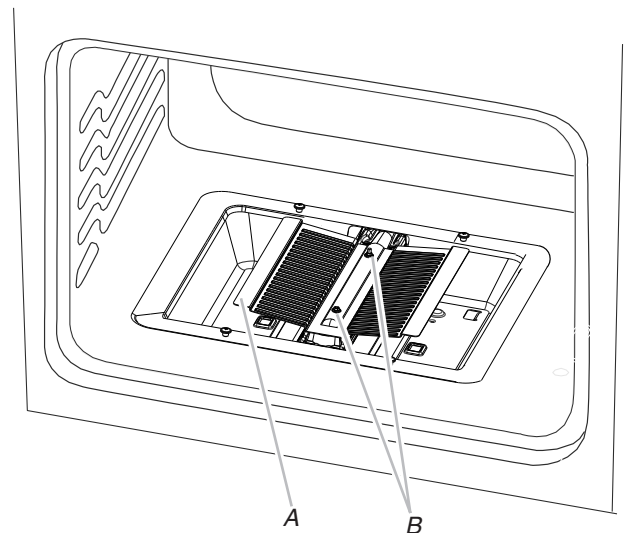
2. Enlever la porte. Voir la section "Porte du four" du guide d'utilisation et d'entretien.

3. Faire glisser le couvercle du brûleur de cuisson au four vers la droite ou vers la gauche.



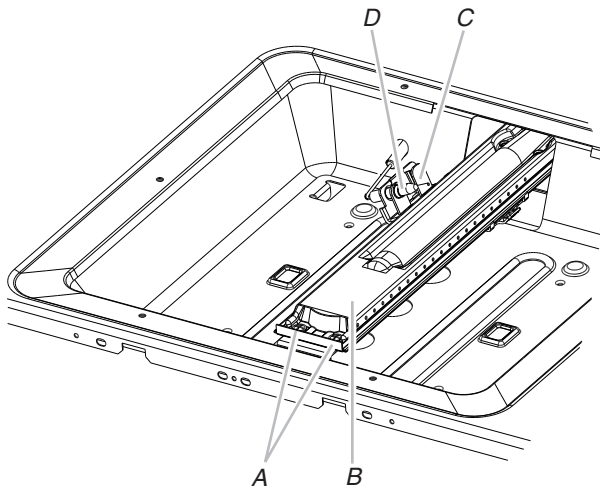
A. Brûleur de cuisson au four – couvercle

4. Retirer le couvercle de brûleur de cuisson au four en le soulevant et le mettre de côté.
5. Dévisser les écrous du déflecteur du four et retirer le déflecteur du four. Le mettre de côté.



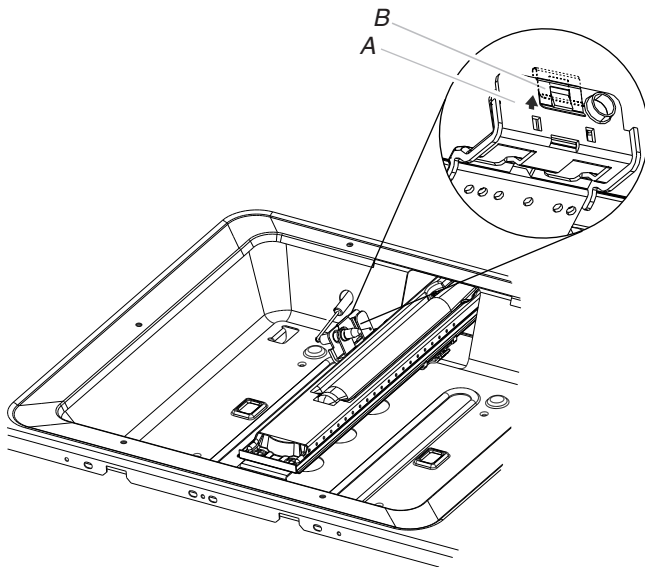
A. Déflecteur du four  
B. Écrous du déflecteur du four

6. Retirer les vis du brûleur de cuisson au four et le brûleur de cuisson au four et les mettre de côté avec précaution.



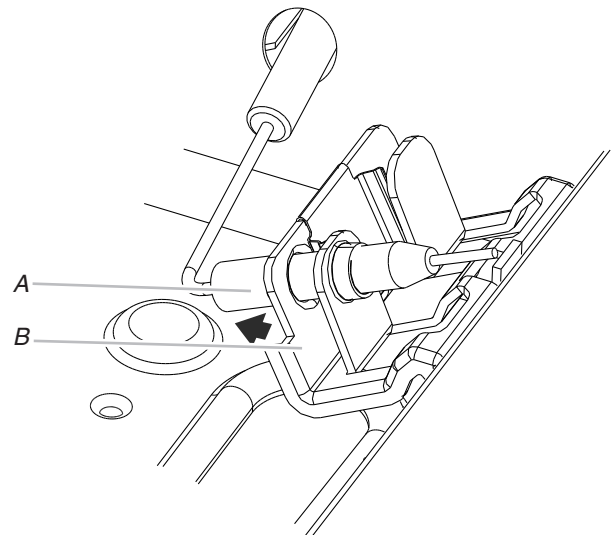
- A. Vis du brûleur de cuisson au four  
 B. Brûleur de cuisson au four  
 C. Support de l'électrode du brûleur de cuisson au four  
 D. Électrode du brûleur de cuisson au four

7. Soulever l'attache située sur le support de l'électrode du brûleur de cuisson au four avec le doigt ou avec un tournevis à lame plate puis retirer l'électrode.



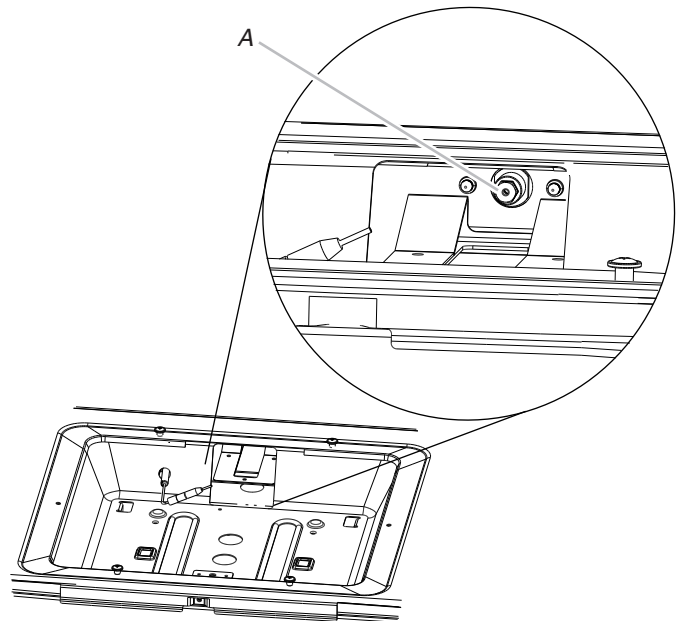
- A. Support de l'électrode du brûleur de cuisson au four  
 B. Attache du support de l'électrode

8. Dégager l'électrode du support.



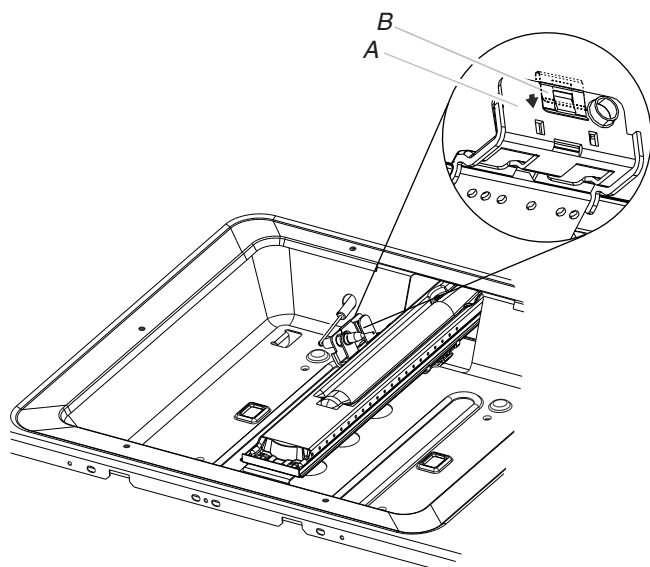
- A. Saisir l'électrode ici.  
 B. Support

9. Appliquer du ruban adhésif de masquage à l'extrémité d'un tourne-écrou de 7 mm pour retenir le gicleur du brûleur dans le tourne-écrou durant l'extraction. Insérer le tourne-écrou dans l'ouverture de gaz, appuyer sur le gicleur et le retirer en le faisant tourner dans le sens antihoraire et en le soulevant. Conserver à part le gicleur du brûleur.



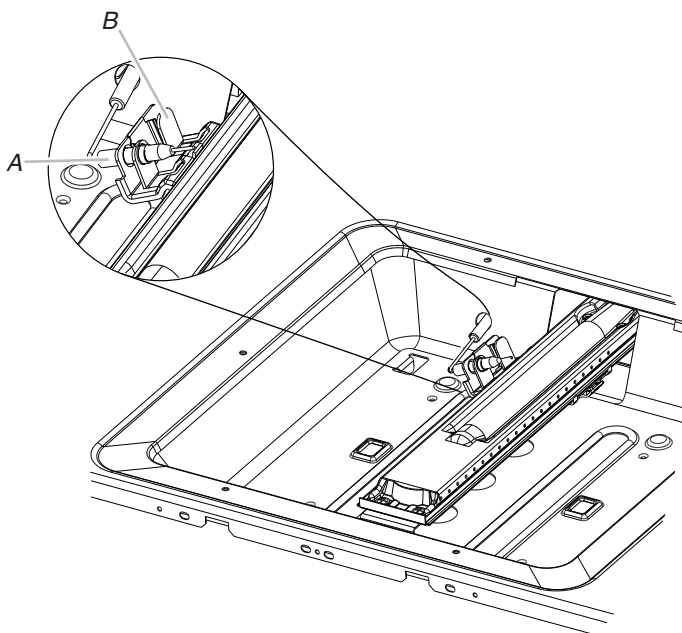
- A. Gicleur

10. Les gicleurs portent une inscription - une lettre et un nombre. Installer le gicleur de brûleur de cuisson au four numéro 189.
11. Placer le gicleur pour gaz propane dans le sachet en plastique contenant les pièces et conserver le tout avec le sachet de documentation pour pouvoir le réutiliser ultérieurement.
12. Enfoncer l'attache sur le support de l'électrode.



A. Support de l'électrode du brûleur de cuisson au four  
B. Attache du support de l'électrode

13. Réinstaller l'électrode du brûleur de cuisson au four à l'intérieur du support.

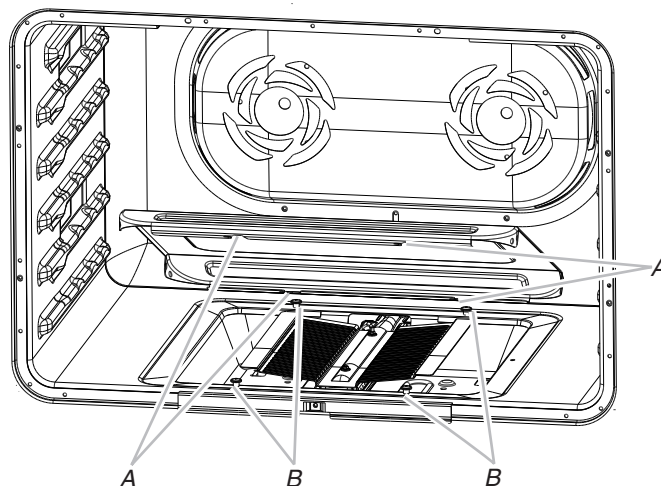


A. Électrode du brûleur de cuisson au four  
B. Support de l'électrode du brûleur de cuisson au four

14. Réinstaller le brûleur de cuisson au four et les vis du brûleur de cuisson au four. Voir l'étape 6 pour l'illustration.
15. Réinstaller le déflecteur du four et les écrous du déflecteur du four.

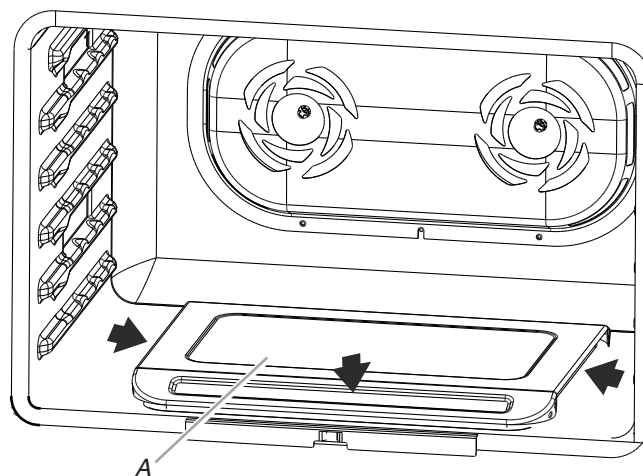
## Réinstaller le couvercle du brûleur de cuisson au four

1. Aligner les encoches du couvercle du brûleur du four avec les vis à épaulement dans le fond du four.



A. Encoches de couvercle (4)  
B. Vis à épaulement (4)

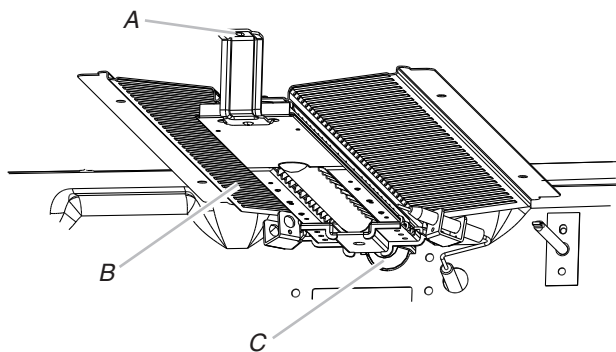
2. Abaisser le couvercle et le faire glisser vers la gauche ou vers la droite pour faire glisser les vis à épaulement dans les extrémités étroites des encoches puis emboîter le tout.



A. Brûleur de cuisson au four - couvercle

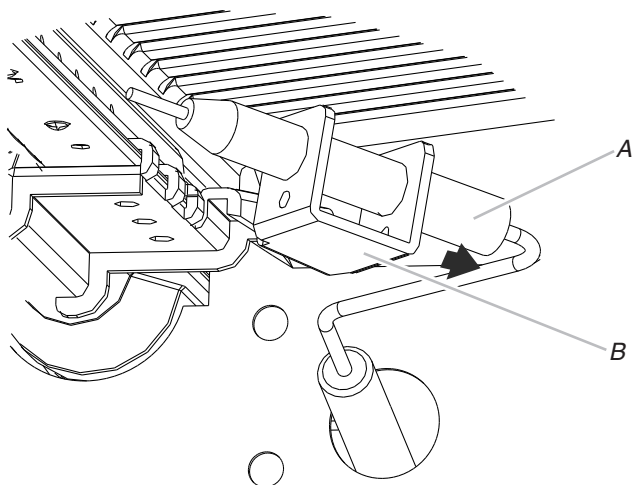
**Pour convertir le brûleur de cuisson au grill (modèles de 30" [76,2 cm] et de 36" [91,4 cm] et la cavité du four de droite sur les modèles de 48" [121,9 cm])**

1. Retirer la vis du brûleur de cuisson au grill et la mettre de côté.



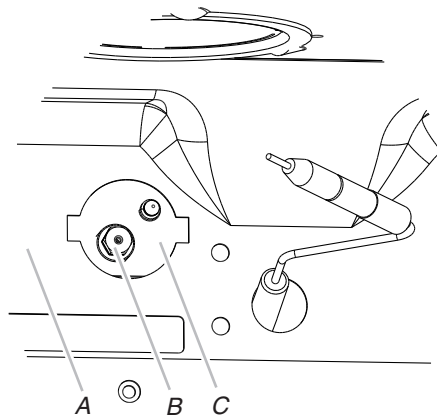
A. Vis du brûleur de cuisson au grill  
B. Brûleur de cuisson au grill  
C. Orifice du gicleur de brûleur de cuisson au grill

2. Tirer le brûleur de cuisson au grill vers soi jusqu' à ce qu'il ressorte de l'orifice à l'arrière du four puis dégager l'électrode du support. Le brûleur de cuisson au grill pend à l'arrière du four pendant que l'on change le gicleur.



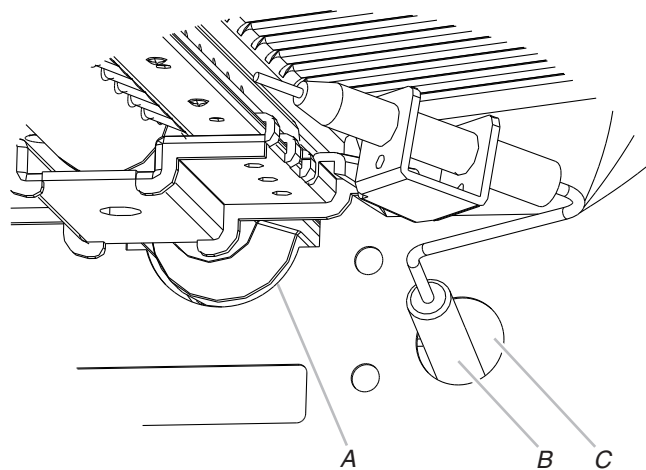
A. Saisir l'électrode ici.  
B. Support

3. Appliquer du ruban adhésif de masquage à l'extrémité d'un tourne-écrou de 7 mm pour retenir le gicleur du brûleur dans le tourne-écrou durant l'extraction. Insérer le tourne-écrou dans l'ouverture de gaz, appuyer sur le gicleur et le retirer en le faisant tourner dans le sens antihoraire et en le soulevant. Conserver à part le gicleur du brûleur.



A. Arrière du four  
B. Gicleur du brûleur de cuisson au grill  
C. Orifice du gicleur de brûleur de cuisson au grill

4. Les gicleurs portent une inscription - une lettre et un nombre. Installer le gicleur de brûleur de cuisson au grill numéro 148.
5. Placer le gicleur pour gaz propane dans le sachet en plastique contenant les pièces et conserver le tout avec le sachet de documentation pour pouvoir le réutiliser ultérieurement.
6. Replacer le brûleur de cuisson au grill dans l'orifice à l'arrière du four avec l'électrode du brûleur de cuisson au grill à l'intérieur de l'orifice du brûleur de cuisson au grill, tel qu'illustré.



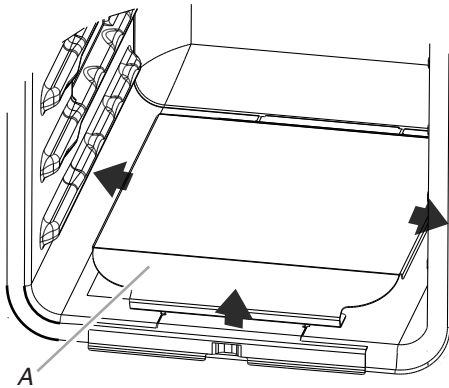
A. Orifice du gicleur de brûleur de cuisson au grill  
B. Électrode du brûleur de cuisson au grill  
C. Orifice de l'électrode du brûleur de cuisson au grill

7. Réinstaller la vis du brûleur de cuisson au grill. Voir l'étape 1 pour l'illustration.



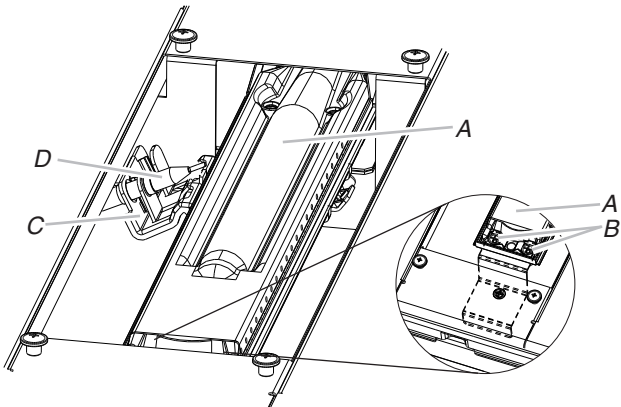
## Pour convertir le brûleur de cuisson au four (cavité du four de gauche sur les modèles de 48" [121,9 cm])

1. Ôter les grilles du four.
2. Enlever la porte. Voir la section "Porte du four" du guide d'utilisation et d'entretien.
3. Faire glisser le couvercle du brûleur de cuisson au four vers la droite ou vers la gauche.



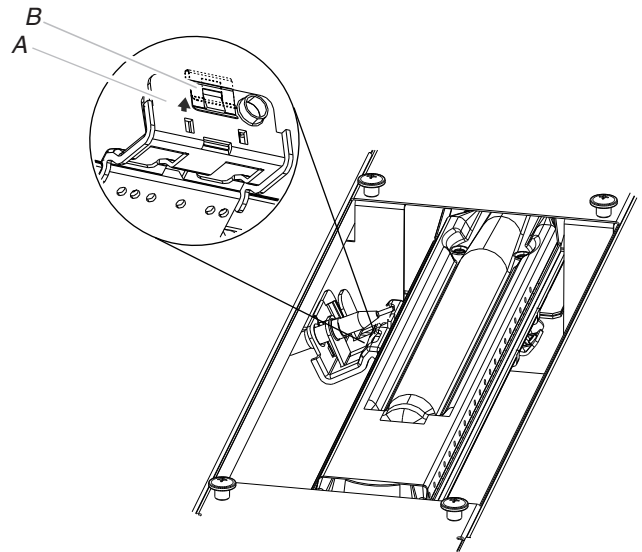
A. Brûleur de cuisson au four – couvercle

4. Retirer le couvercle de brûleur de cuisson au four en le soulevant et le mettre de côté.
5. Retirer les vis du brûleur de cuisson au four et le brûleur de cuisson au four et les mettre de côté avec précaution.



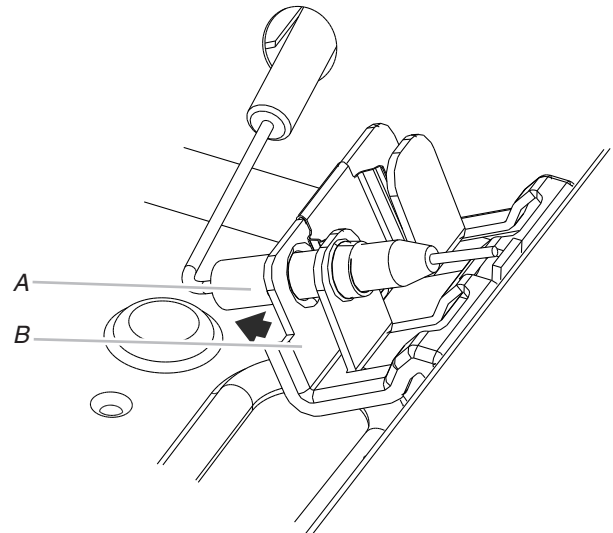
A. Brûleur de cuisson au four  
B. Vis du brûleur de cuisson au four  
C. Support de l'électrode du brûleur de cuisson au four  
D. Électrode du brûleur de cuisson au four

6. Soulever l'attache située sur le support de l'électrode du brûleur de cuisson au four avec le doigt ou avec un tournevis à lame plate puis retirer l'électrode.



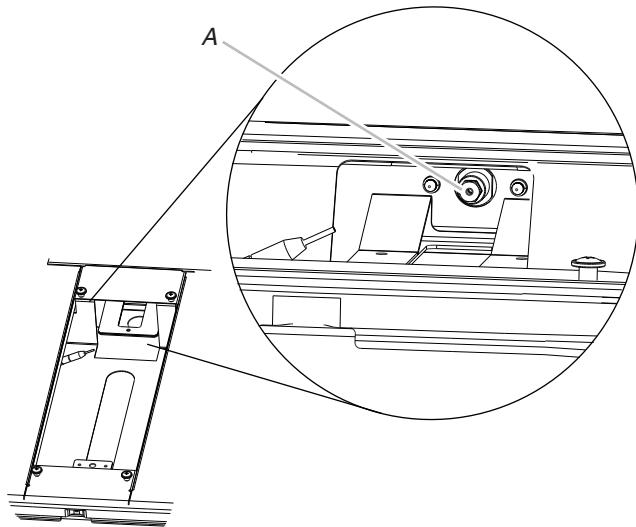
A. Support de l'électrode du brûleur de cuisson au four  
B. Attache du support de l'électrode

7. Dégager l'électrode du support.



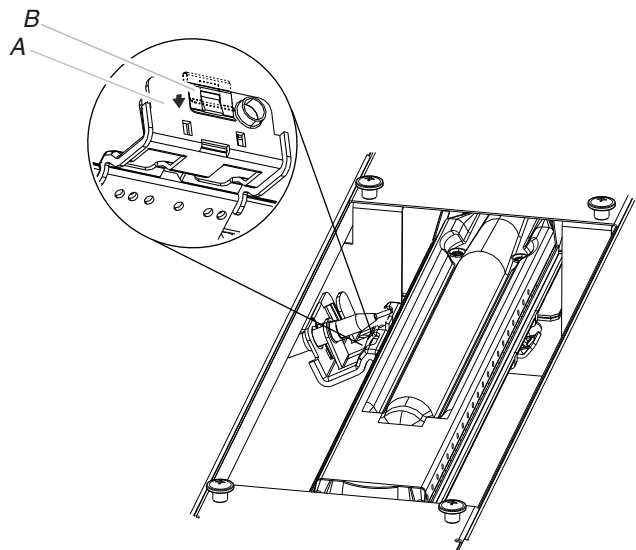
A. Saisir l'électrode ici.  
B. Support

8. Appliquer du ruban adhésif de masquage à l'extrémité d'un tourne-écrou de 7 mm pour retenir le gicleur du brûleur dans le tourne-écrou durant l'extraction. Insérer le tourne-écrou dans l'ouverture de gaz, appuyer sur le gicleur et le retirer en le faisant tourner dans le sens antihoraire et en le soulevant. Conserver à part le gicleur du brûleur.



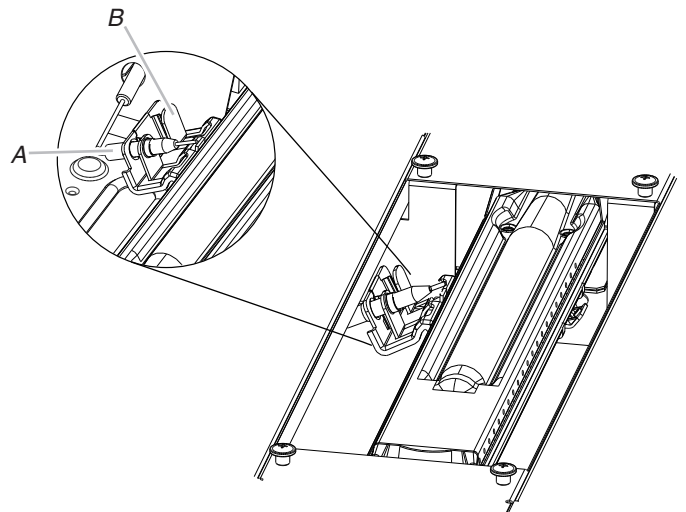
A. Gicleur

9. Les gicleurs portent une inscription - une lettre et un nombre. Installer le gicleur de brûleur de cuisson au four numéro 154.
10. Placer le gicleur pour gaz propane dans le sachet en plastique contenant les pièces et conserver le tout avec le sachet de documentation pour pouvoir le réutiliser ultérieurement.
11. Enfoncer l'attache sur le support de l'électrode.



A. Support de l'électrode du brûleur de cuisson au four  
B. Attache du support de l'électrode

12. Réinstaller l'électrode du brûleur de cuisson au four à l'intérieur du support.

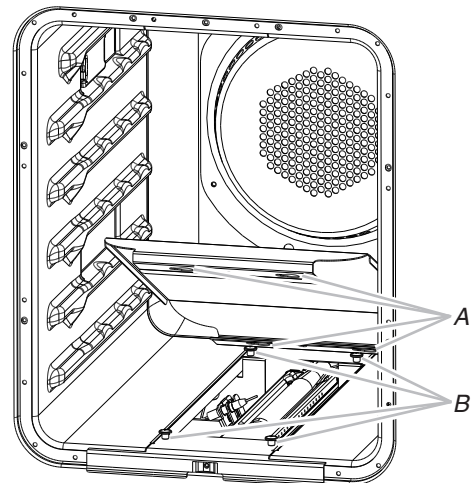


A. Électrode du brûleur de cuisson au four  
B. Support de l'électrode du brûleur de cuisson au four

13. Réinstaller le brûleur de cuisson au four et les vis du brûleur de cuisson au four. Voir l'étape 5 pour l'illustration.

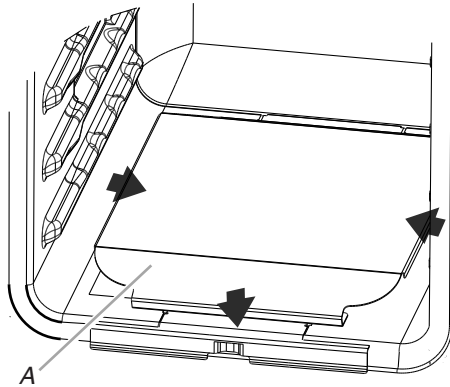
### Réinstaller le couvercle du brûleur de cuisson au four

1. Aligner les trous de montage des vis à épaulement (encoches allongées) du couvercle de brûleur de cuisson au four avec les vis à épaulement dans le fond du four.



A. Trous de montage (encoches allongées) de vis à épaulement  
B. Vis à épaulement

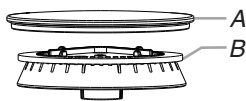
2. Abaisser le couvercle et le faire glisser vers la gauche ou vers la droite pour faire glisser les vis à épaulement dans les extrémités étroites des encoches allongées puis emboîter le tout.



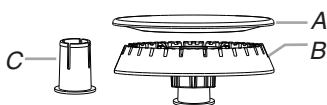
A. Brûleur de cuisson au four – couvercle

## Conversion des brûleurs de surface

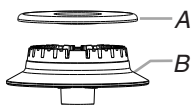
1. Enlever les grilles de brûleur si elles sont installées.
2. Ôter le chapeau de brûleur.
3. Ôter la base du brûleur.



**Gros brûleur à double flamme**  
A. Chapeau de brûleur  
B. Base du brûleur



**Brûleur moyen**  
A. Chapeau de brûleur  
B. Base du brûleur  
C. Douille de réduction (pour utilisation avec le brûleur de moyenne puissance, uniquement pour l'alimentation au propane).



**Petit brûleur**  
A. Chapeau de brûleur  
B. Base du brûleur

4. Appliquer du ruban adhésif de masquage à l'extrémité d'un tourne-écrou de 7 mm pour retenir le gicleur du brûleur dans le tourne-écrou durant l'extraction. Insérer le tourne-écrou dans l'ouverture de gaz, appuyer sur le gicleur et le retirer en le faisant tourner dans le sens antihoraire et en le soulevant. Conserver à part le gicleur du brûleur.
5. Remplacer le gicleur par un gicleur pour gaz naturel de taille correcte. Voir le "Tableau de sélection des gicleurs/injecteurs pour gaz naturel".

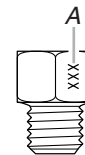
Suivre les indications du tableau ci-dessous pour pouvoir déterminer l'emplacement exact de chaque gicleur de brûleur.

Enlever la douille de réduction de la base du brûleur de moyenne puissance.

## Tableau de sélection des gicleurs/injecteurs pour gaz naturel

Puissance thermique	Taille	Style de brûleur
5 000 BTU	1,01 mm	Petits brûleurs
15 000 BTU	1,75 mm	Brûleurs moyens
20 000 BTU	2,10 mm 0,52 mm	Gros brûleur - principal Gros brûleur - mijotage
18 000 BTU	1,93 mm	Brûleur du grill

## Gicleur de brûleur



A. Marquage pour identification de la taille

6. Placer les gicleurs pour propane dans le sachet de pièces en plastique et avec les documents fournis avec l'appareil, pour pouvoir les réutiliser ultérieurement.
7. Réinstaller la base du brûleur.
8. Réinstaller le chapeau de brûleur.
9. Répéter les étapes 2 à 8 pour les autres brûleurs.

## Achever l'installation

1. Pour le raccordement correct de la cuisinière à la canalisation de gaz, se reporter à la section "Raccordement au gaz".
2. Pour l'allumage et l'utilisation corrects du brûleur ainsi que le réglage des flammes sur le brûleur, voir la section "Système d'allumage électronique".

**IMPORTANT :** Il peut être nécessaire de modifier le réglage des flammes à la position du débit thermique minimum "LO" pour chaque brûleur de la table de cuisson.

Il est très important de vérifier l'établissement de flammes correctes sur les brûleurs de la table de cuisson. Le petit cône interne doit comporter une flamme bleue très distincte de ¼" (0,64 cm) à ½" (1,3 cm) de longueur. Le cône externe n'est pas aussi distinct que le cône interne. Les flammes d'un brûleur alimenté au propane comportent une pointe légèrement jaune.

3. Voir le paragraphe "Achever l'installation" de la section "Instructions d'installation" du présent manuel pour achever cette procédure.

## Schémas de câblage

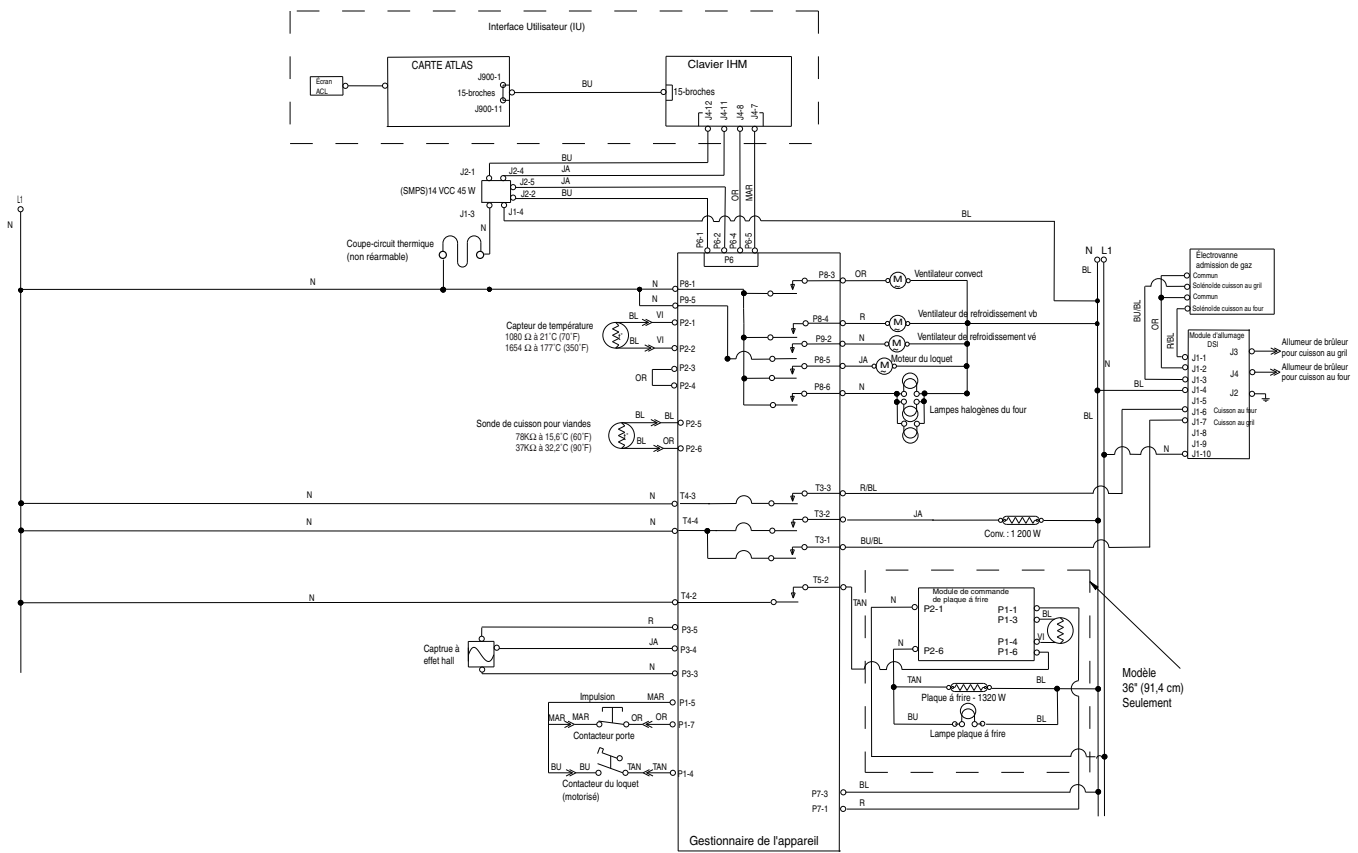
### REMARQUES :

- L'appareil de test de l'extrémité de ligne ne sert qu'à la fabrication.
- Les points indiquent des connexions ou des épissures.

- Circuit illustré en mode STANDBY/OFF (attente/arrêt) avec la porte du four fermée.
- Toutes les tensions des schémas de câblage ont pour valeur 120 V CA.

**Mise en garde :** Lors de toute intervention sur les circuits, étiqueter chaque conducteur avant de le déconnecter. Une erreur lors du rebranchement pourrait susciter une situation dangereuse ou un fonctionnement incorrect. Vérifier le bon fonctionnement de l'appareil après l'intervention.

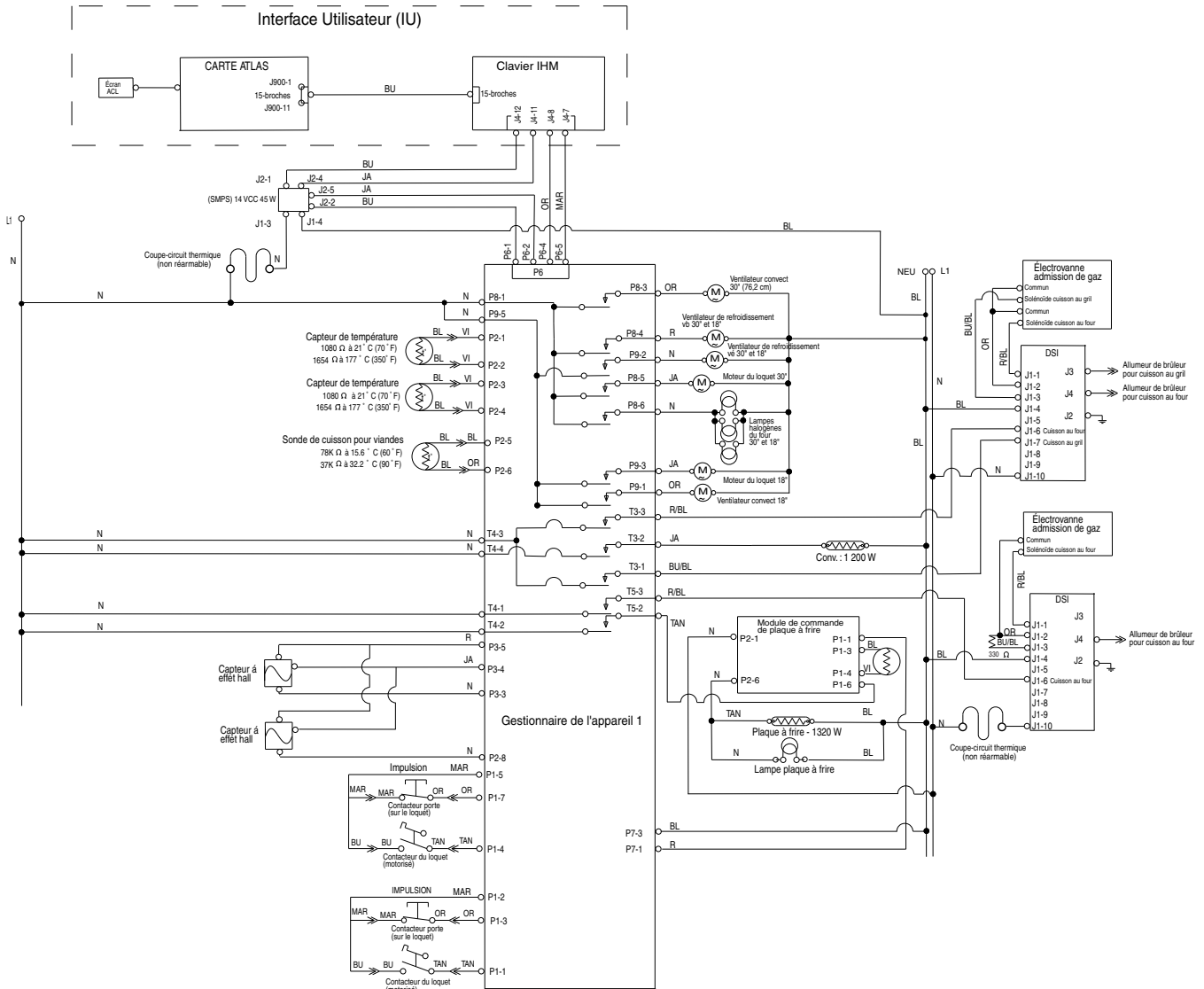
### Schéma du four de 30"/36" (76,2 cm/91,4 cm) pour modèles JGRP430, JGRP436 et JGRP536



### LÉGENDE

Masse (châssis)	Fiche avec connecteur femelle	Prise avec connecteur mâle	Lampe	Moteur d'entraînement CA	Thermostat	Thermo-contacteur	Élément chauffant	Thermistance enrobée	Manceuvré par la porte	Coupe-circuit thermique (non réarmable)	Coupe-circuit thermique (réarmement manuel)

# Schéma du four de 48" (121,9 cm) pour modèle JGRP548



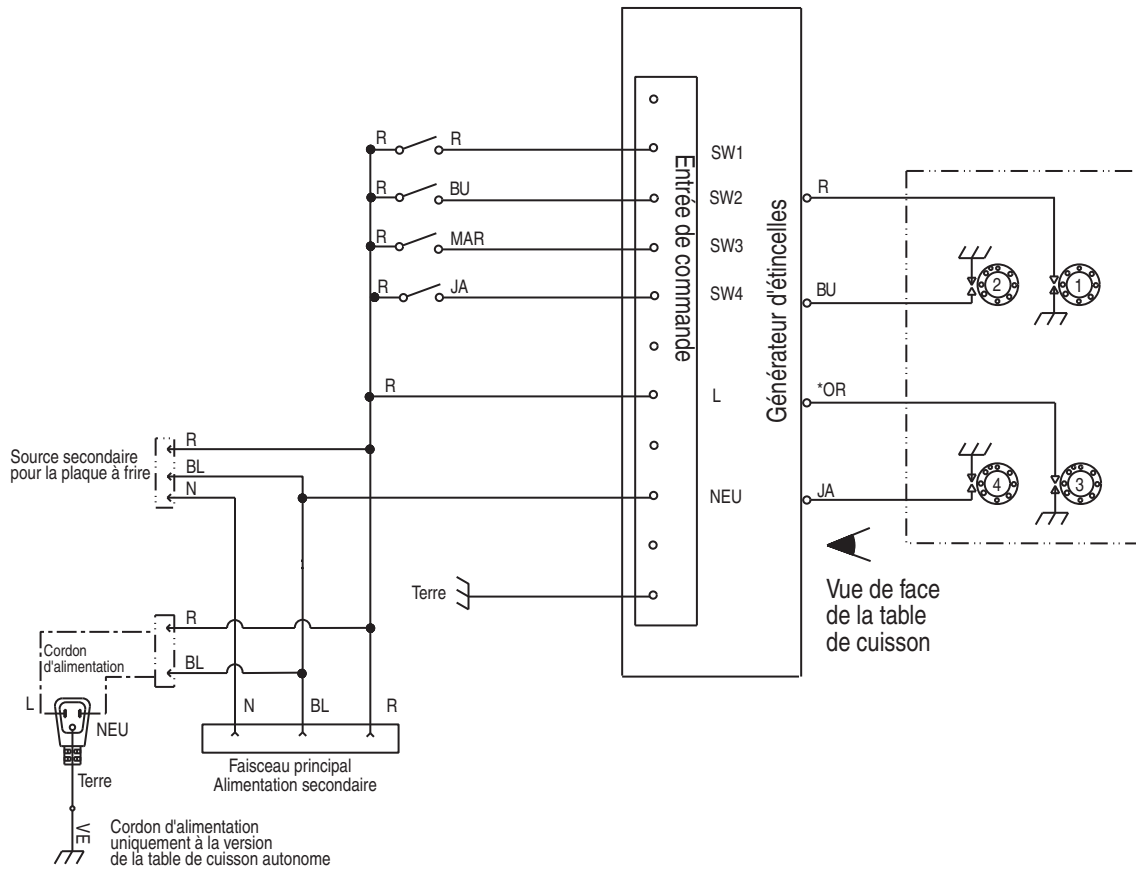
## LÉGENDE

Masse (châssis)	Fiche avec connecteur femelle	Prise avec connecteur mâle	Lampe	Moteur d'entraînement CA	Thermostat	Thermo-contacteur	Élément chauffant	Thermistance enrobée	Manœuvré par la porte	Coupe-circuit thermique (non réarmable)	Coupe-circuit thermique (réarmement manuel)

## Schémas des circuits

Les circuits suivants sont utilisés pour le diagnostic; les illustrations présentent la configuration de fonctionnement de l'appareil. Si un fusible grille, un disjoncteur s'ouvre, ou si la tension fournie par la prise de courant murale est inférieure à 120 volts +/- 10 %, ne pas poursuivre le processus de diagnostic.

### Schéma de la table de cuisson à 4 brûleurs





## Schéma de la table de cuisson à 6 brûleurs

