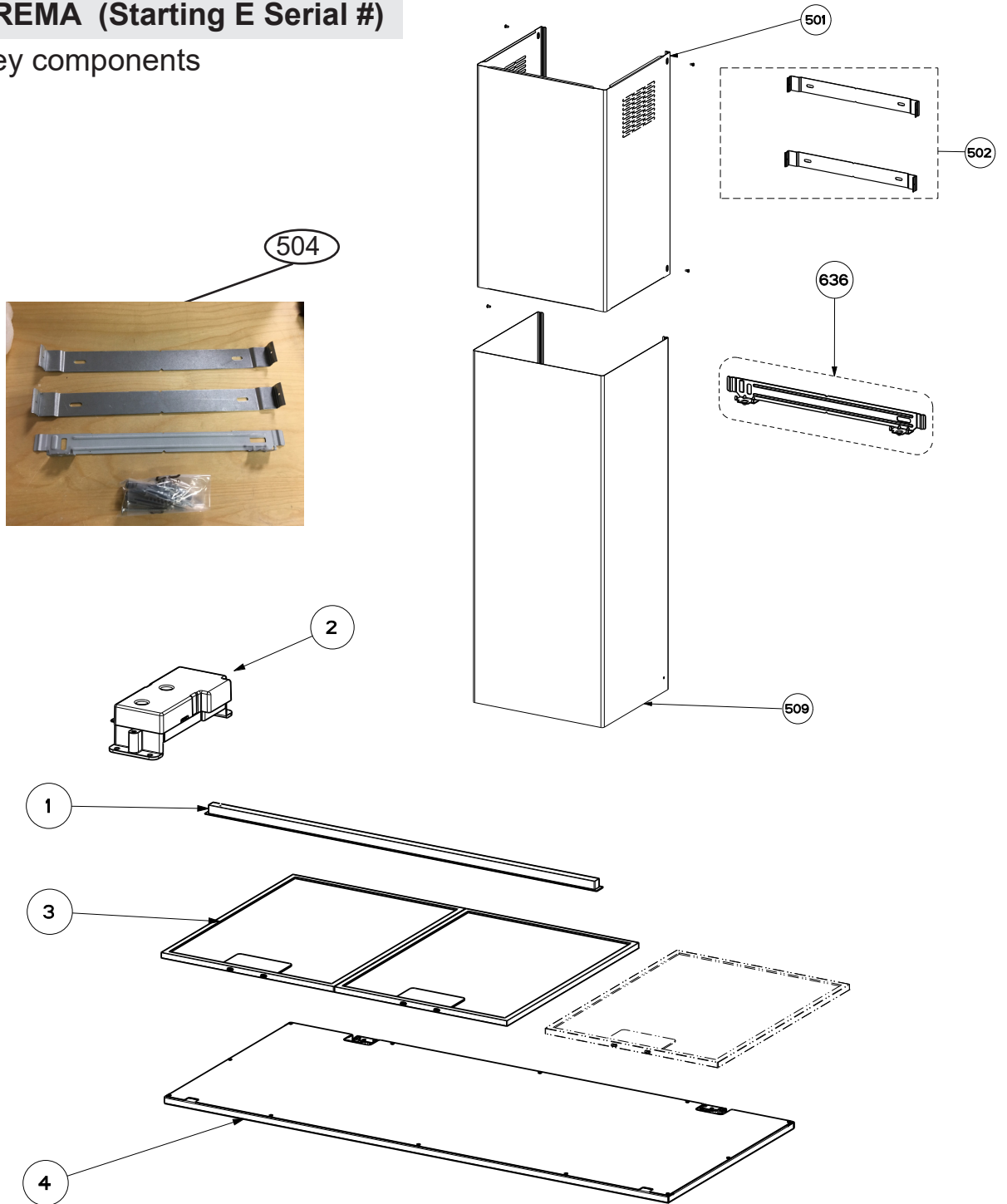


STILO SUPREMA (Starting E Serial #)

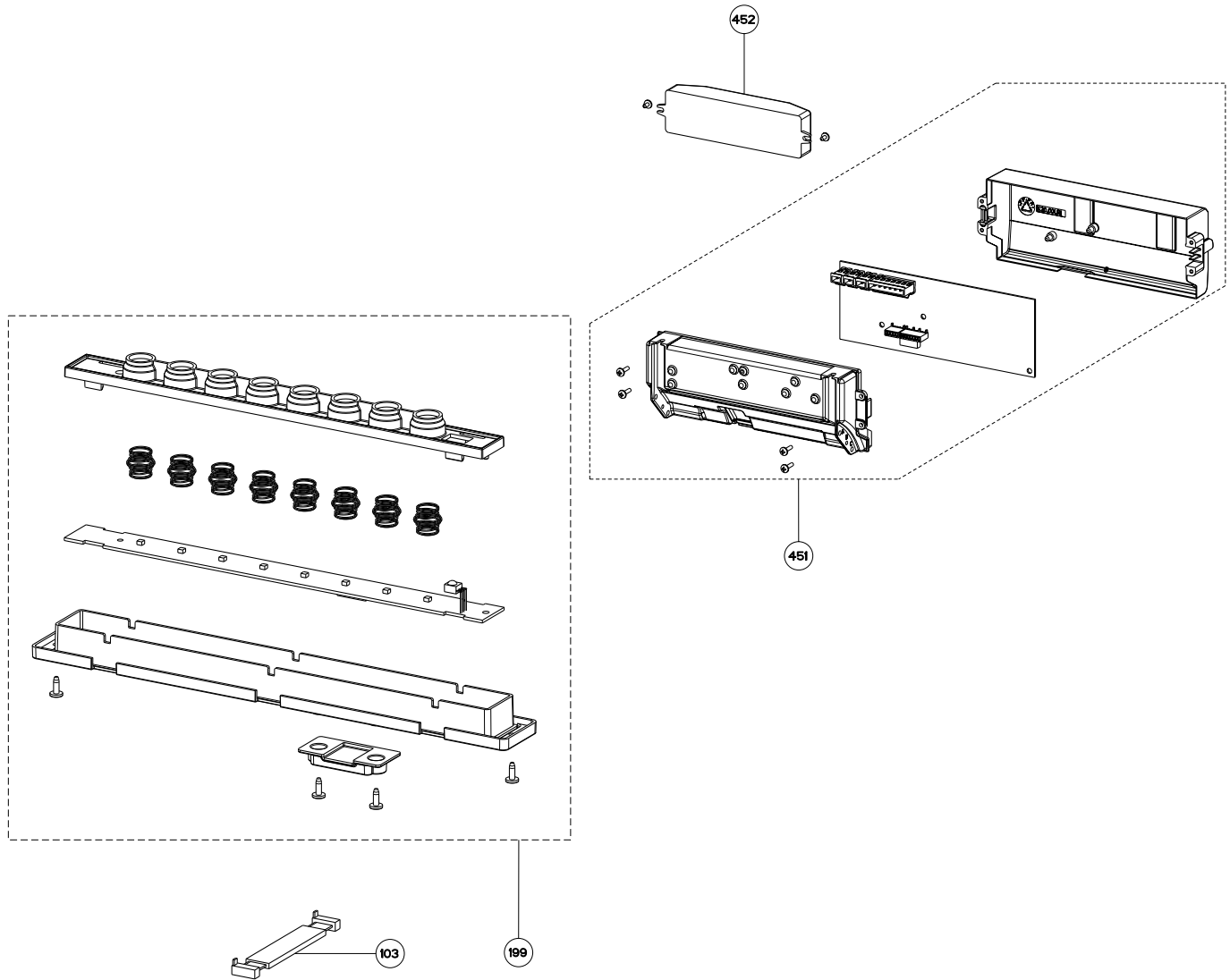
body / chimney components



	Model Number	STSP30SSV	STSP36SSV	
Key	Description	30 Stainless	36 Stainless	Qty Req.
1	LED Light Bar 4 Watt	133.0682.456	133.0682.456	1
2	WiFi and lighting control board	133.0693.427	133.0693.427	1
3	Grease Filters	133.0380.474	133.0604.401	2 (30"), 3 (36")
4	Perimetric panel	133.0705.137	133.0705.138	1
501	Upper Chimney	133.0433.856	133.0433.856	1
502	Chimney Brackets	133.0361.373	133.0361.373	1
509	Lower Chimney	133.0326.976	133.0326.976	1
636	Canopy Wall Bracket	133.0200.466	133.0200.466	1
504	Hardware Kit	133.0474.335	133.0474.335	1

STILO SUPREMA (Starting E Serial #)

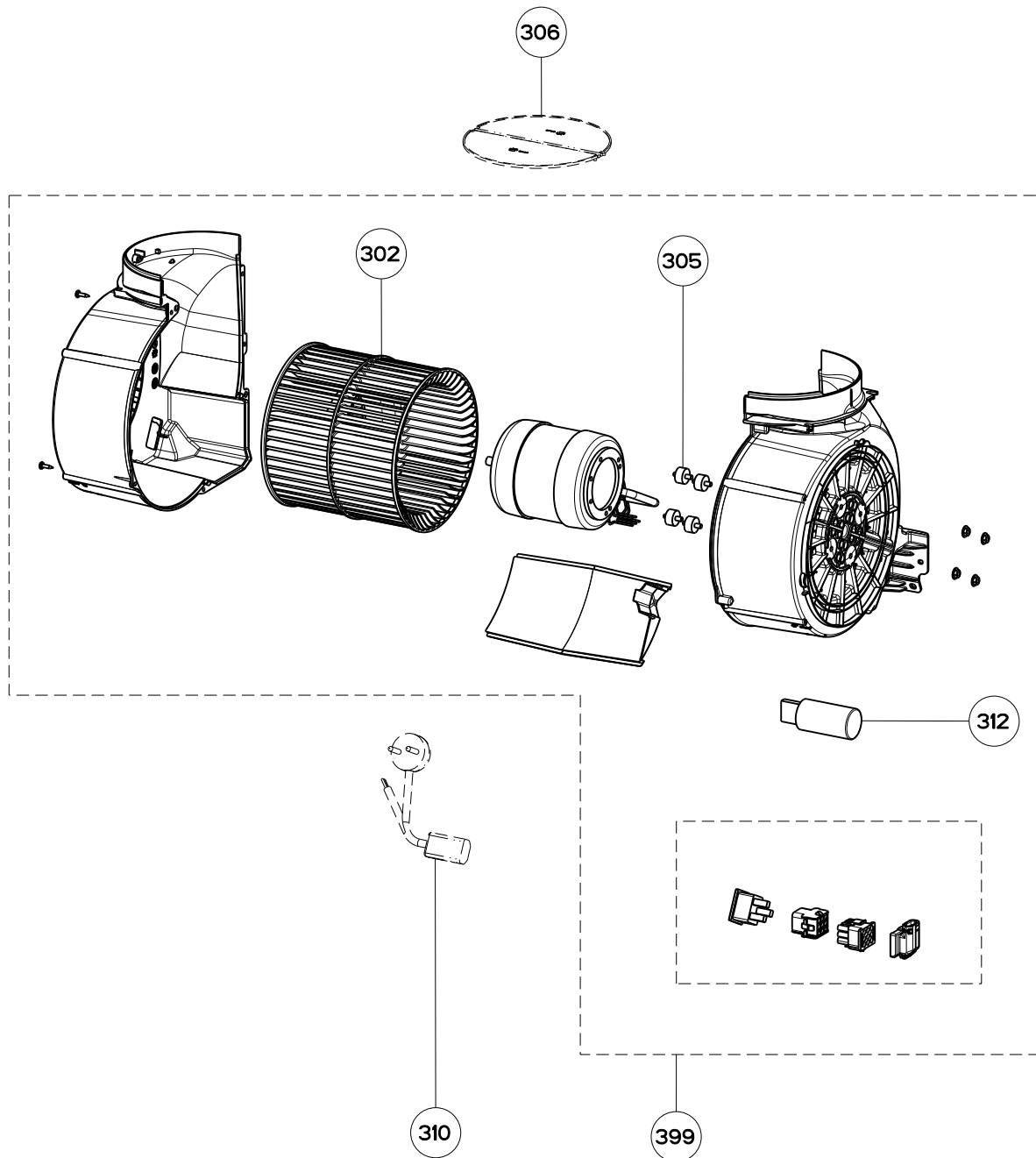
switch components



	Model Number	STSP30SSV	STSP36SSV	
Key	Description	30 Stainless	36 Stainless	Qty Req.
103	Ribbon Connector	133.0016.845	133.0016.845	1
199	Control button board	133.0383.373	133.0383.373	1
451	Control Board (main)	133.0705.139	133.0705.139	1
452	Transformer	133.0549.712	133.0549.712	1

STILO SUPREMA (Starting E Serial #)

motor components



	Model Number	STSP30SSV	STSP36SSV	
Key	Description	30 Stainless	36 Stainless	Qty Req.
302	Impeller	133.0681.529	133.0681.529	1
305	Rubber Motor Mount (10 Included)	133.0051.604	133.0051.604	1
306	Damper Flaps (2 included)	133.0522.831	133.0522.831	1
310	Power Cord	133.0063.609	133.0063.609	1
312	Capacitor 25MF	133.0060.648	133.0060.648	1
399	Motor Group	133.0681.528	133.0681.528	1