

# JENN-AIR® DOUBLE REFRIGERATOR DRAWERS/ REFRIGERATOR/FREEZER DRAWERS/

## CAJÓN REFRIGERADOR DOBLE CAJÓN REFRIGERADOR/CONGELADOR JENN-AIR®

## DOUBLE TIROIR RÉFRIGÉRÉ TIROIRS DE RÉFRIGÉRATION/CONGÉLATION JENN-AIR®

### USE & CARE GUIDE

For questions about features, operation/performance, parts, accessories, or service, call:  
**1-800-JENNAIR (1-800-536-6247)** or visit our website at [www.jennair.com](http://www.jennair.com).

In Canada, call: **1-800-JENNAIR (1-800-536-6247)**, or visit our website at [www.jennair.ca](http://www.jennair.ca).

### MANUAL DE USO Y CUIDADO

Si tiene preguntas respecto a las características, funcionamiento, rendimiento, partes, accesorios o servicio técnico, llame al:  
**1-800-JENNAIR (1-800-536-6247)** o visite nuestro sitio de internet [www.jennair.com](http://www.jennair.com).

En Canadá, llame al: **1-800-JENNAIR (1-800-536-6247)**, o visite nuestro sitio de internet [www.jennair.ca](http://www.jennair.ca).

### GUIDE D'UTILISATION ET D'ENTRETIEN

Au Canada, pour assistance, installation ou service, composez le **1-800-JENNAIR (1-800-536-6247)**  
ou visitez notre site web à [www.jennair.ca](http://www.jennair.ca).

Table of Contents/Índice/Table des matières..... 2

**JENN-AIR®**

**W10741583B/8336460125000**

# TABLE OF CONTENTS

<b>REFRIGERATOR DRAWERS SAFETY</b> .....	<b>3</b>	<b>REFRIGERATOR DRAWERS USE</b> .....	<b>10</b>
Proper Disposal of Your Old Refrigerated Appliance.....	3	Normal Sounds.....	10
<b>DESIGN SPECIFICATIONS</b> .....	<b>4</b>	Ensuring Proper Air Circulation.....	10
<b>INSTALLATION REQUIREMENTS</b> .....	<b>5</b>	Using the Controls.....	11
Tools and Parts .....	5	Ice Maker and	
Location Requirements .....	5	Water Filtration System .....	13
Electrical Requirements .....	5	<b>REFRIGERATOR DRAWERS CARE</b> .....	<b>14</b>
Water Supply Requirements .....	6	Cleaning.....	14
Product Dimensions.....	6	Power Interruptions .....	14
Custom Overlay Drawer Panels.....	7	Vacation Care .....	14
<b>INSTALLATION INSTRUCTIONS</b> .....	<b>8</b>	<b>TROUBLESHOOTING</b> .....	<b>15</b>
Unpack the Refrigerator Drawers .....	8	<b>ASSISTANCE OR SERVICE</b> .....	<b>16</b>
Connect Water Supply.....	8	In the U.S.A. ....	16
Move the Refrigerator Drawers to Final Location.....	9	In Canada .....	16
Level the Refrigerator Drawers .....	9	Accessories .....	16
Install Custom Overlay Panel.....	10	<b>PRODUCT DATA SHEETS</b> .....	<b>17</b>
Complete Installation .....	10	<b>WARRANTY</b> .....	<b>18</b>

# ÍNDICE

<b>SEGURIDAD DE LOS CAJONES REFRIGERADOS</b> .....	<b>19</b>	<b>USO DE LOS CAJONES REFRIGERADOS</b> .....	<b>27</b>
Cómo deshacerse adecuadamente de su aparato		Sonidos normales.....	27
refrigerado viejo.....	20	Cómo asegurar la debida circulación de aire .....	27
<b>REQUISITOS DE INSTALACIÓN</b> .....	<b>21</b>	Uso de los controles .....	27
Piezas y herramientas .....	21	Fábrica de hielo y sistema de filtración de agua .....	29
Requisitos de ubicación.....	21	<b>CUIDADO DE LOS CAJONES REFRIGERADOS</b> .....	<b>30</b>
Requisitos eléctricos.....	22	Limpieza .....	30
Requisitos del suministro de agua.....	22	Cortes de corriente.....	31
Medidas del producto .....	22	Cuidado durante las vacaciones.....	31
Paneles de los cajones recubiertos a la medida .....	23	<b>SOLUCIÓN DE PROBLEMAS</b> .....	<b>31</b>
<b>INSTRUCCIONES DE INSTALACIÓN</b> .....	<b>24</b>	<b>AYUDA O SERVICIO TÉCNICO</b> .....	<b>33</b>
Cómo desempacar los cajones refrigerados.....	24	En los EE.UU. ....	33
Conexión del suministro de agua .....	25	En Canadá .....	33
Mueva los cajones refrigerados a su posición final.....	25	Accesorios .....	33
Nivelación de los cajones refrigerados.....	26	<b>HOJA DE DATOS DEL PRODUCTO</b> .....	<b>34</b>
Cómo instalar el panel recubierto a la medida .....	26	<b>GARANTÍA</b> .....	<b>35</b>
Complete la instalación.....	27		

# TABLE DES MATIÈRES

<b>SÉCURITÉ DES TIROIRS RÉFRIGÉRÉS</b> .....	<b>37</b>	<b>UTILISATION DES TIROIRS RÉFRIGÉRÉS</b> .....	<b>45</b>
Mise au rebut correcte de votre vieil appareil réfrigéré.....	38	Sons normaux .....	45
<b>EXIGENCES D'INSTALLATION</b> .....	<b>39</b>	Pour assurer une circulation d'air correcte.....	45
Outils et pièces.....	39	Utilisation des commandes.....	45
Exigences d'emplacement.....	39	Machine à glaçons et	
Spécifications électriques .....	40	système de filtration d'eau .....	47
Spécifications de l'alimentation en eau .....	40	<b>ENTRETIEN DES TIROIRS RÉFRIGÉRÉS</b> .....	<b>48</b>
Dimensions du produit.....	40	Nettoyage .....	48
Panneaux décoratifs personnalisés de tiroirs.....	41	Pannes de courant .....	49
<b>INSTRUCTIONS D'INSTALLATION</b> .....	<b>42</b>	Entretien avant les vacances .....	49
Déballage des tiroirs réfrigérés .....	42	<b>DÉPANNAGE</b> .....	<b>49</b>
Raccordement de l'alimentation en eau .....	42	<b>ASSISTANCE OU SERVICE</b> .....	<b>51</b>
Déplacement des tiroirs réfrigérés à leur emplacement final.....	43	Aux États-Unis.....	51
Réglage de l'aplomb des tiroirs réfrigérés.....	44	Au Canada.....	51
Installation du panneau décoratif personnalisé.....	44	Accessoires .....	51
Achever l'installation .....	45	<b>FEUILLES DE DONNÉES SUR LE PRODUIT</b> .....	<b>52</b>
		<b>GARANTIE</b> .....	<b>53</b>

# REFRIGERATOR DRAWERS SAFETY

## Your safety and the safety of others are very important.

We have provided many important safety messages in this manual and on your appliance. Always read and obey all safety messages.



This is the safety alert symbol.

This symbol alerts you to potential hazards that can kill or hurt you and others.

All safety messages will follow the safety alert symbol and either the word "DANGER" or "WARNING."

These words mean:

**⚠ DANGER**

You can be killed or seriously injured if you don't immediately follow instructions.

**⚠ WARNING**

You can be killed or seriously injured if you don't follow instructions.

All safety messages will tell you what the potential hazard is, tell you how to reduce the chance of injury, and tell you what can happen if the instructions are not followed.

## IMPORTANT SAFETY INSTRUCTIONS

**WARNING:** To reduce the risk of fire, electric shock, or injury when using your refrigerator drawer(s), follow these basic precautions:

- Plug into a grounded 3 prong outlet.
- Do not remove ground prong.
- Do not use an adapter.
- Do not use an extension cord.
- Disconnect power before servicing.
- Replace all parts and panels before operating.
- Remove door or drawer(s) from your old refrigerated appliance.
- Use nonflammable cleaner.
- Keep flammable materials and vapors, such as gasoline, away from refrigerator drawer(s).
- Use two or more people to move and install refrigerator drawer(s).

**SAVE THESE INSTRUCTIONS**

State of California Proposition 65 Warnings:

**WARNING:** This product contains one or more chemicals known to the State of California to cause cancer.

**WARNING:** This product contains one or more chemicals known to the State of California to cause birth defects or other reproductive harm.

## Proper Disposal of Your Old Refrigerated Appliance

**⚠ WARNING**

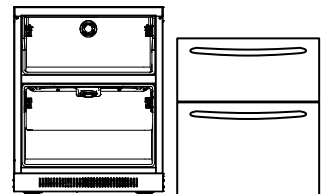
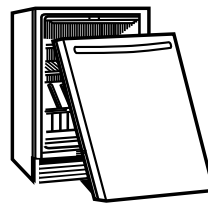
**Suffocation Hazard**

Remove door or drawer(s) from your old refrigerated appliance.

Failure to do so can result in death or brain damage.

## Before You Throw Away Your Old Refrigerated Appliance:

Remove the door or drawer(s).



**IMPORTANT:** Child entrapment and suffocation are not problems of the past. A junked or abandoned refrigerated appliance is still dangerous – even if it will sit for “just a few days.” If you are getting rid of your old refrigerated appliance, please follow these instructions to help prevent accidents.

## Important information to know about disposal of refrigerants:

Dispose of refrigerator in accordance with Federal and Local regulations. Refrigerants must be evacuated by a licensed, EPA certified refrigerant technician in accordance with established procedures.

---

# DESIGN SPECIFICATIONS

---

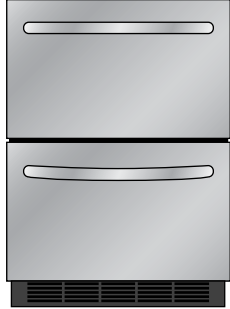
## 24" Drawer Models

---

### Double Refrigerator Drawers

---

Two refrigerator drawers provide additional storage options in the kitchen or other areas of the home.



**Euro Series  
JUD24FR\*S**

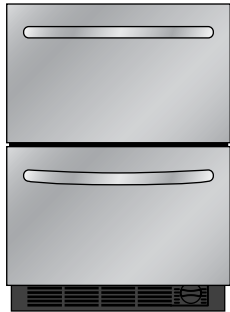


**Overlay - Custom Panels and Handles Required  
JUD24FR\*X**

### Refrigerator/Freezer Drawers (with ice maker and water filter)

---

Upper refrigerator drawer and lower freezer drawer provide additional storage options in the kitchen or other areas of the home. Factory-installed ice maker in lower drawer ensures a constant supply of ice on hand at all times.



**Euro Series  
JUD24FC\*S**



**Overlay - Custom Panels and Handles Required  
JUD24FC\*X**

# INSTALLATION REQUIREMENTS

## Tools and Parts

### Tools Needed:

Gather the required tools and parts before starting installation. Read and follow the instructions provided with any tools listed here.

- Cordless drill
- 1/8" Drill bit
- Tape measure
- Level
- Phillips screwdriver

### Additional Tools Needed (Style 2 - Overlay only):

- Scissors
- Pencil
- Scribe

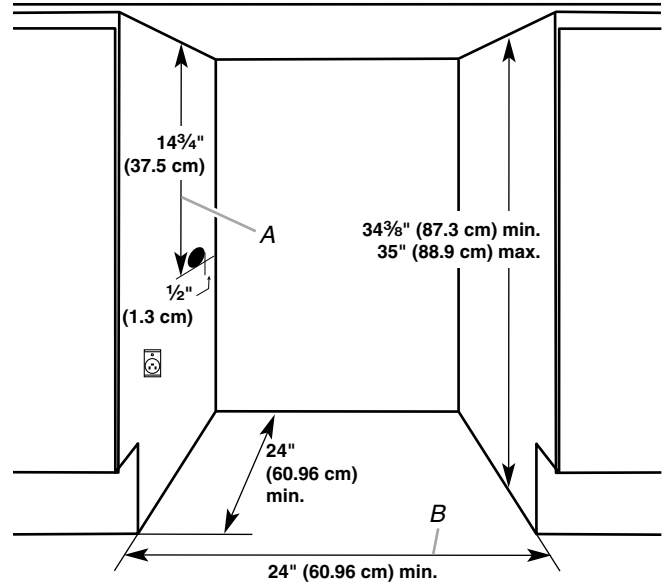
### Parts Needed (Style 2 - Overlay only):

- Custom Overlay Drawer Panels — See “Custom Overlay Drawer Panels.”
- Hardware

### Parts Supplied:

- Hooks (8)
- Screws (16)
- Self-tap wood screws (4)

- If the floor of the opening is not level with the kitchen floor, shim the opening to make it level with the kitchen floor.



### Critical Dimensions:

- A. Utility opening
- B. Minimum opening width

## Location Requirements

### ⚠ WARNING



#### Explosion Hazard

Keep flammable materials and vapors, such as gasoline, away from refrigerator drawer(s). Failure to do so can result in death, explosion, or fire.

### NOTES:

- For the refrigerator drawers to be flush with the front of the base cabinets remove any baseboards or moldings from the rear of the opening. See “Product Dimensions” and later in this section “Opening Dimensions (both styles).”
- It is recommended that you do not install the refrigerator drawers near an oven, radiator, or other heat source.
- Do not install in a location where the temperature will fall below 55°F (13°C).

### Opening Dimensions (both styles)

- Height dimensions are shown with the leveling legs extended to the minimum height of 1/4" (6.35 mm) below the refrigerator drawers.

**NOTE:** When leveling legs are fully extended to 1" (25 mm) below the refrigerator drawers, add 3/4" (19.05 mm) to the height dimensions. See “Product Dimensions.”

## Electrical Requirements

### ⚠ WARNING



#### Electrical Shock Hazard

- Plug into a grounded 3 prong outlet.
- Do not remove ground prong.
- Do not use an adapter.
- Do not use an extension cord.
- Failure to follow these instructions can result in death, fire, or electrical shock.

Before you move your refrigerator drawers into the final location, it is important to make sure you have the proper electrical connection.

### Recommended grounding method

A 115 Volt, 60 Hz., AC only, 15- or 20-amp fused, grounded electrical supply is required. It is recommended that a separate circuit serving only your refrigerator drawers be provided. Use an outlet that cannot be turned off by a switch. Do not use an extension cord.

**IMPORTANT:** If this product is connected to a GFCI (Ground Fault Circuit Interrupter) equipped outlet, nuisance tripping of the power supply may occur, resulting in loss of cooling. Food quality and flavor may be affected. If nuisance tripping has occurred, and if the condition of the food appears poor, dispose of it.

## Water Supply Requirements (Refrigerator/Freezer Drawers only)

Gather the required tools and parts before starting installation. Read and follow the instructions provided with any tools listed here.

### IMPORTANT:

- If you turn ON the refrigerator before the water line is connected, turn OFF the ice maker.
- All installations must meet local plumbing code requirements.
- Use copper tubing and check for leaks. Install copper tubing only in areas where the household temperatures will remain above freezing.

**TOOLS NEEDED:** Flat-blade screwdriver,  $\frac{7}{16}$ " and  $\frac{1}{2}$ " open-end wrenches or two adjustable wrenches,  $\frac{1}{4}$ " nut driver and drill bit, cordless drill.

**NOTE:** Your refrigerator dealer has a kit available with a  $\frac{1}{4}$ " (6.35 mm) saddle-type shutoff valve, a union, and copper tubing. Before purchasing, make sure a saddle-type valve complies with your local plumbing codes. Do not use a piercing-type or  $\frac{3}{16}$ " (4.76 mm) saddle valve which reduces water flow and clogs more easily.

## Water Pressure

A cold water supply with water pressure of between 30 and 120 psi (207 and 827 kPa) is required to operate ice maker. If you have questions about your water pressure, call a licensed, qualified plumber.

### Reverse Osmosis Water Supply

**IMPORTANT:** The pressure of the water supply coming out of a reverse osmosis system going to the water inlet valve of the refrigerator needs to be between 30 and 120 psi (207 and 827 kPa).

If a reverse osmosis water filtration system is connected to your cold water supply, the water pressure to the reverse osmosis system needs to be a minimum of 40 to 60 psi (276 to 414 kPa).

If the water pressure to the reverse osmosis system is less than 40 to 60 psi (276 to 414 kPa):

- Check to see whether the sediment filter in the reverse osmosis system is blocked. Replace the filter if necessary.
- Allow the storage tank on the reverse osmosis system to refill after heavy usage.

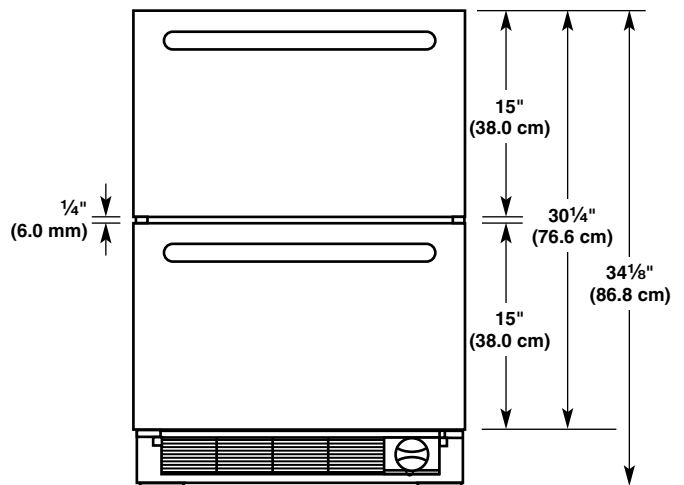
If you have questions about your water pressure, call a licensed, qualified plumber.

## Product Dimensions

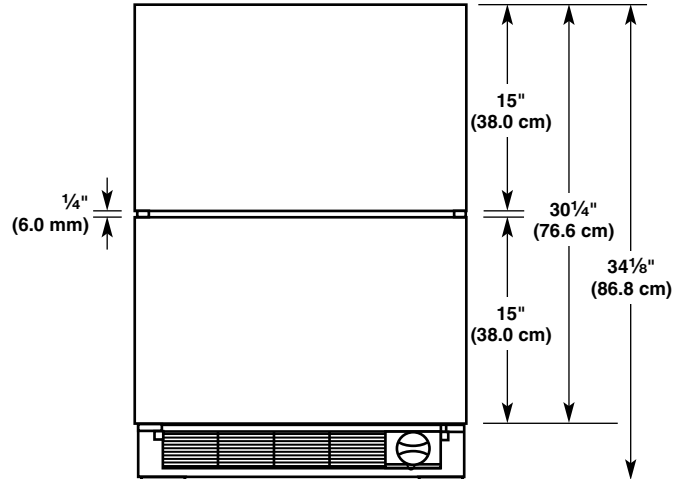
### Drawer Height Dimensions

- Height dimensions are shown with the leveling legs extended to  $\frac{1}{4}$ " (6.35 mm) below the refrigerator drawers.
- When leveling legs are fully extended to 1" (25 mm) below the refrigerator drawers, add  $\frac{3}{4}$ " (19.05 mm) to the height dimensions.
- The power cord is 60" (152.4 cm) long.

### Style 1 - Euro Series (front view)

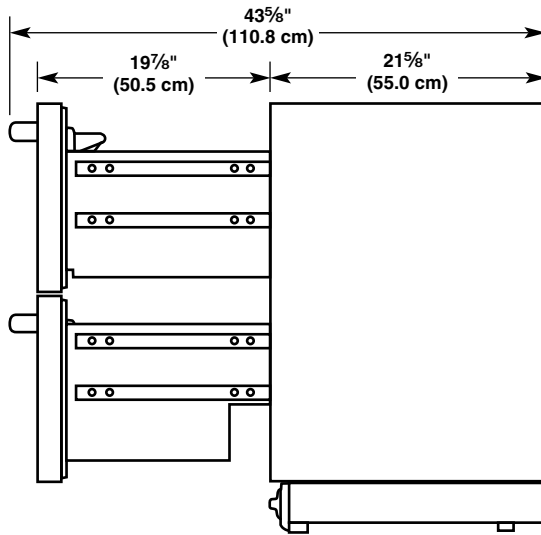


### Style 2 - Overlay (front view)

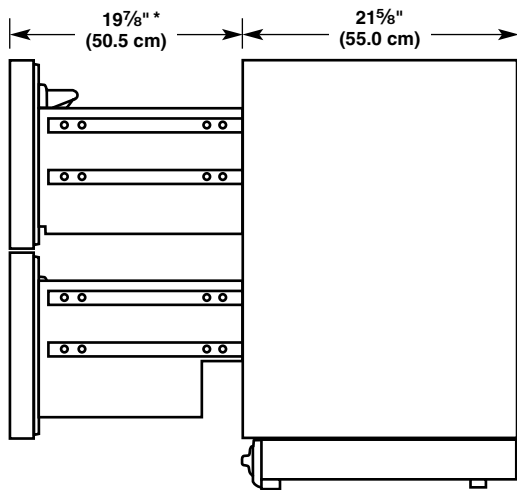


## Drawer Depth Dimensions

### Style 1 - Euro Series (side view)

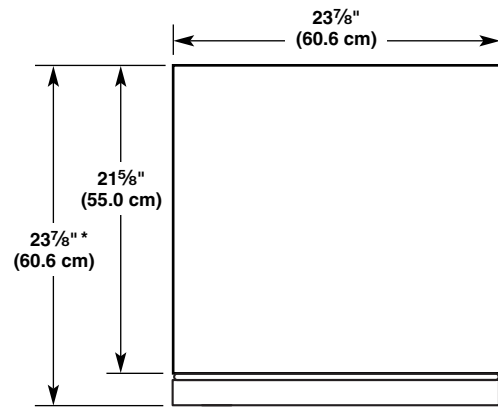


### Style 2 - Overlay (side view)



\*Dimension includes 3/4" (1.9 cm) thick custom drawer panel

### Style 2 - Overlay (top view)



\*Dimension includes 3/4" (1.9 cm) thick custom drawer panel

## Custom Overlay Drawer Panels

If you plan to install custom wood panels, you will need to create the panels yourself or consult a qualified cabinetmaker or carpenter. See dimension drawings for panel specifications.

### IMPORTANT:

- The thickness of the overlay panels must be 3/4" (19.05 mm).
- To avoid damage to the drawers, each overlay panel must not weigh more than 10 lbs (4.5 kg).
- Do not exceed the height dimension for the overlay panels. Panels that exceed the height dimension may damage the refrigerator drawers, cabinets or countertop.
- The width of the overlay panels may vary according to the width of the cabinet opening.
- For the installation of the customer panel, you will need the following parts:
  - 16 screws (SS Flat M4x12 tapping 1)
  - 4 Self-tap wood screws
  - 4 Drawer overlay hook plate right (SPHC T=2.3)
  - 4 Drawer overlay hook plate left (SPHC T=2.3)



A

B



C

D

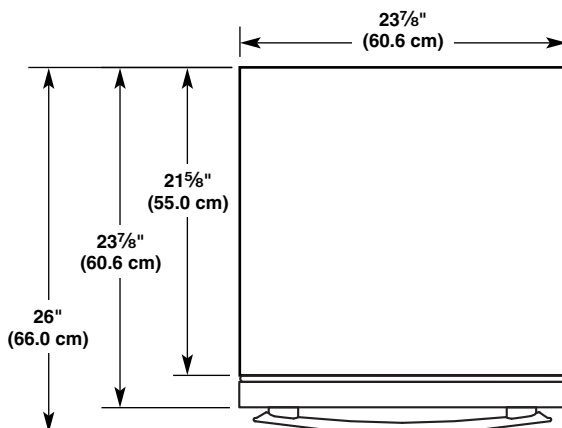
A. SS Flat M4x12 tapping screws  
B. Self-tap wood screws

C. Overlay hook plate right  
D. Overlay hook plate left

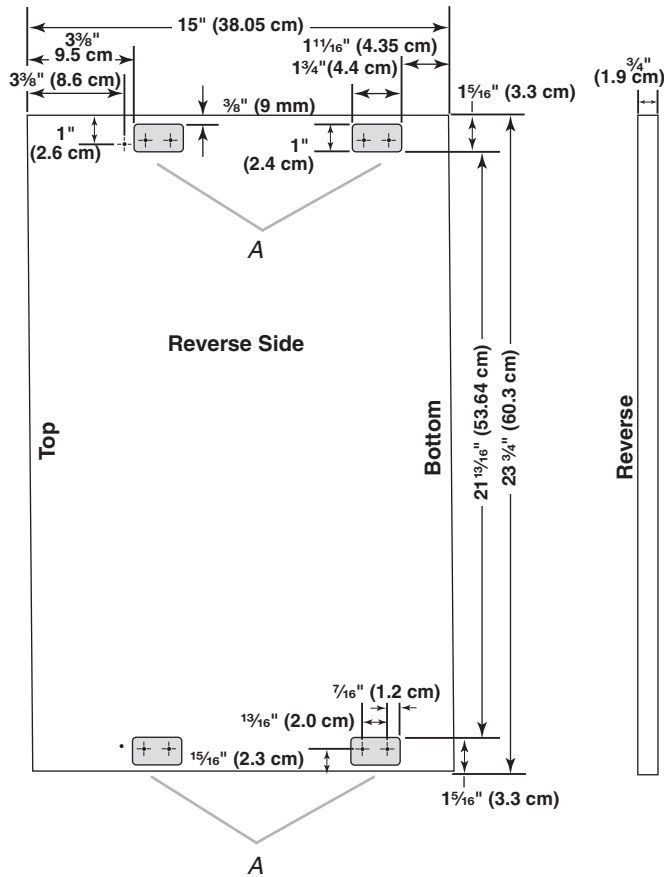
**NOTE:** Some or all parts may or may not be included. If your product does not include these parts, contact Assistance or Service or ask a specialist.

## Drawer Width Dimensions

### Style 1- Euro Series (top view)



## Top and Bottom Overlay Drawer Panel Dimensions



A. Rout  $\frac{1}{8}$ " (3.18 mm) deep.

# INSTALLATION INSTRUCTIONS

## Unpack the Refrigerator Drawers

### **⚠ WARNING**

#### Excessive Weight Hazard

Use two or more people to move and install refrigerator drawer(s).

Failure to do so can result in back or other injury.

## Remove the Packaging

Remove tape and glue residue from surfaces before turning on the refrigerator drawers. Rub a small amount of liquid dish soap over the glue residue with your fingers. Wipe with warm water and dry. Do not use sharp instruments, rubbing alcohol, flammable fluids, or abrasive cleaners to remove tape or glue.

These products can damage the surface of your refrigerator drawers. Properly dispose of packaging.

### When Moving Your Refrigerator Drawers:

Your refrigerator drawers are heavy. When moving the appliance for service, be sure to cover the floor with cardboard or hardboard to avoid floor damage. Always pull the appliance straight out when moving it. Do not wiggle or "walk" the appliance when trying to move it, as floor damage could occur.

## Clean Before Using

After you remove all of the package materials, clean the inside of your refrigerator drawers before using them. See "Cleaning."

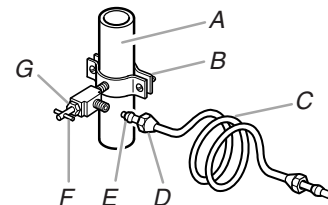
## Connect Water Supply (Refrigerator/Freezer Drawers only)

### Connect to Water Line

1. Unplug refrigerator or disconnect power.
2. Turn OFF main water supply. Turn ON nearest faucet long enough to clear line of water.
3. Locate a  $\frac{1}{2}$ " to  $1\frac{1}{4}$ " (1.25 cm to 3.18 cm) vertical cold water pipe near the refrigerator.
 

**IMPORTANT:**

  - Make sure it is a cold water pipe.
  - Horizontal pipe will work, but drill on the top side of the pipe, not the bottom. This will help keep water away from the drill and normal sediment from collecting in the valve.
4. Determine the length of copper tubing you need. Measure from the connection on the lower left rear of refrigerator to the water pipe. Add 7 ft (2.1 m) to allow for cleaning. Use  $\frac{1}{4}$ " (6.35 mm) O.D. (outside diameter) copper tubing. Be sure both ends of copper tubing are cut square.
5. Using a cordless drill, drill a  $\frac{1}{4}$ " hole in the cold water pipe you have selected.



- |                    |                       |
|--------------------|-----------------------|
| A. Cold water pipe | E. Compression sleeve |
| B. Pipe clamp      | F. Shutoff valve      |
| C. Copper tubing   | G. Packing nut        |
| D. Compression nut |                       |

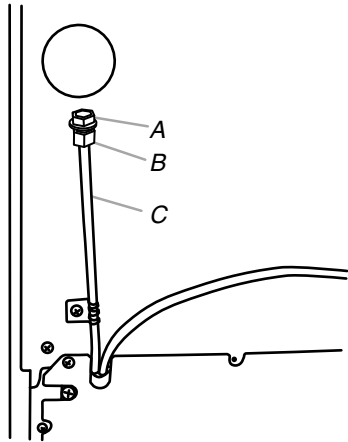
6. Fasten the shutoff valve to the cold water pipe with the pipe clamp. Be sure the outlet end is solidly in the  $\frac{1}{4}$ " drilled hole in the water pipe and that the washer is under the pipe clamp. Tighten the packing nut. Tighten the pipe clamp screws slowly and evenly so washer makes a watertight seal. Do not overtighten or you may crush the copper tubing.
7. Slip the compression sleeve and compression nut on the copper tubing as shown. Insert the end of the tubing into the outlet end squarely as far as it will go. Screw compression nut onto outlet end with adjustable wrench. Do not overtighten.



- Place the free end of the tubing in a container or sink, and turn ON the main water supply. Flush the tubing until water is clear. Turn OFF the shutoff valve on the water pipe. Coil the copper tubing.

### Connect to Refrigerator

- Attach the copper tube to the valve inlet using a compression nut and sleeve as shown. Tighten the compression nut. Do not overtighten. Use the tube clamp on the back of the refrigerator to secure the tubing to the refrigerator as shown. This will help avoid damage to the tubing when the refrigerator is pushed back against the wall.
- Turn ON shutoff valve.
- Check for leaks. Tighten any connections (including connections at the valve) or nuts that leak.



A. Plug  
B. Compression nut  
C. Pex tubing

- The ice maker is equipped with a built-in water strainer. If your water conditions require a second water strainer, install it in the 1/4" (6.35 mm) water line at either tube connection. Obtain a water strainer from your nearest appliance dealer.
- Plug in refrigerator or reconnect power.

### Move the Refrigerator Drawers to Final Location

- Place top of cardboard carton or plywood under the appliance. Remove dolly.
- Do not remove film or cover.

## ⚠ WARNING



### Electrical Shock Hazard

Plug into a grounded 3 prong outlet.

Do not remove ground prong.

Do not use an adapter.

Do not use an extension cord.

Failure to follow these instructions can result in death, fire, or electrical shock.

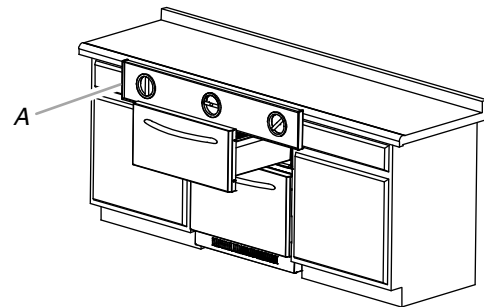
- Plug into a grounded 3 prong outlet.

- Move the refrigerator drawers straight back and evenly in front of the opening.

### Level the Refrigerator Drawers

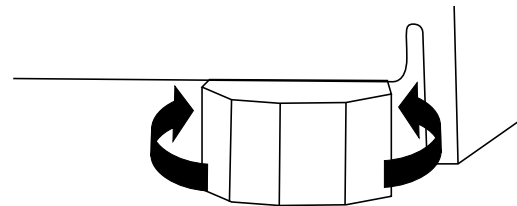
#### IMPORTANT:

- Overlay Model—Be sure to install the custom overlay drawer panels before leveling the refrigerator drawers. See "Install Custom Overlay Panel."
  - Before installing the refrigerator drawers, be sure that the countertop is level.
  - If the countertop is not level, adjust the refrigerator drawers' leveling legs until the appliance is square with the countertop. Be sure to maintain 3/8" (9.5 mm) minimum gap between the top of the drawer and the countertop.
- Open the top drawer and place the level across the top drawer as shown. Check the level from left to right.

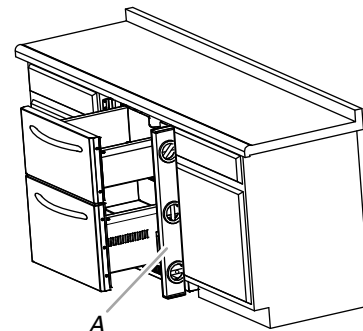


A. Check the level from left to right.

- Turn the leveling legs (front and back) until the top drawer measures level from left to right.



- Remove the level and close the top drawer. Check the gap between the top of the drawer and the countertop. If the gap measures less than 3/8" (9.5 mm) minimum, turn all four leveling bolts equally to the left to raise the leveling legs (this will lower the appliance). Recheck the level.
- Open both drawers less than midway. Place the level on the side flange beside the drawers as shown. Turn the front leveling bolts together in order to either raise or lower the appliance until the sides of the refrigerator drawers are plumb.



A. Check the level from front to back.

5. Remove the level and close the drawers. Recheck the gap between the top of the drawer and the countertop. If the gap measures less than  $\frac{3}{8}$ " (9.5 mm), turn all four leveling bolts equally to raise the leveling legs (this will lower the appliance). Recheck the level.

**NOTE:** Be sure to recheck the horizontal level of the top drawer.

6. Be sure all four levelers are on the floor and supporting the full weight of the refrigerator drawers.

---

## Install Custom Overlay Panel

### IMPORTANT:

- Create a custom overlay panel according to the specifications in "Custom Overlay Drawer Panels."
- Jenn-Air is not responsible for the removal or addition of molding or decorative panels that would not allow access to the refrigerator for service.

---

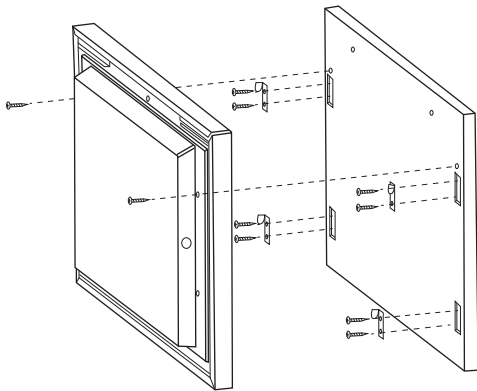
### Attach the Overlay Panel

**NOTE:** If the overlay hooks are not installed, see "Custom Overlay Drawer Panels" for overlay hook locations. The location of the hooks must be as precise as possible. If the custom panel is incorrectly placed, the panel may interfere with optimal use of the drawers.

1. Attach the custom handle of your preference on the overlay before attaching the overlay to the drawer of the refrigerator.

**NOTE:** Custom handles may vary in dimensions. Holes must be made on the panel according to the specific dimensions of your handle.

2. Attach the hooks to their corresponding recessions on the panel, using the SS Flat M4x12 screws. Two screws are needed per hook. The hooks must be on the outer edge of the panel.



3. Gently pull back the gasket from the top corners of the door until you can see the screw that is behind the gasket. There is one screw on each side. It is not necessary to remove the gasket.
4. Remove the screws behind the gasket (one per side).
5. Align the panel to the drawer and position the overlay panel  $\frac{1}{2}$ " (1.27cm) higher than the door. Position the overlay hooks with the pilot holes and push the hooks into the holes. The drawer has insulant foam in its interior so you may feel some interference while pushing. Push until the hooks go through the foam.
6. Push straight down on the overlay panel to secure the overlay hooks to the drawer.
7. Using the self-tap wood screws (two per drawer; one in each corner of the drawers), attach the panel to the drawer.

**NOTE:** Do not put the screws removed in step 4 back on the door.

8. Once the overlay is securely attached to the drawer with the two screws, put the gasket back in its place by pressing it against the door until the gasket is even and firmly secured.

---

## Complete Installation

1. Remove all boxes, parts packages and packing materials from the interior of the refrigerator drawers.
2. Remove the film.
3. Clean the refrigerator drawers before use.
4. The controls are preset at the factory to the recommended settings. Be sure that the compressor is operating properly and that all the lights are working.
5. If construction will continue after the refrigerator drawers have been installed, turn OFF the power for both drawers.

To get the most efficient use from your new refrigerator drawers, read the "Refrigerator Drawers Use" section.

---

## REFRIGERATOR DRAWERS USE

---

### Normal Sounds

Your new refrigerator drawers may make sounds that your old refrigerator drawers didn't. Because the sounds are new to you, you might be concerned about them. Most of the new sounds are normal. Hard surfaces, such as the floor, walls, and cabinets, can make the sounds seem louder. The following describes the kinds of sounds and what may be making them.

- Your refrigerator drawers are designed to run more efficiently to keep your food items at the desired temperatures and to minimize energy usage. The high efficiency compressor and fans may cause your refrigerator drawers to run longer than your old ones. You may also hear a pulsating or high-pitched sound from the compressor or fans adjusting to optimize performance.
- You may hear the evaporator fan motor circulating air through the refrigerator drawers. The fan speed may increase as you open the drawers or add warm food.
- As each cycle ends, you may hear a gurgling sound due to the refrigerant flowing through the sealed system tubing.
- Contraction and expansion of the inside walls may cause a popping noise.
- You may hear air being forced over the condenser by the condenser fan.
- You may hear water running into the drain pan during the Off cycle.

---

### Ensuring Proper Air Circulation

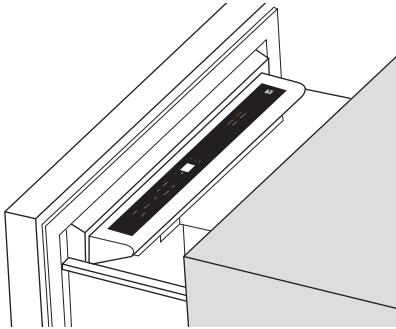
In order to ensure proper temperatures, you need to permit airflow inside the drawers.

Do not block any airflow vents. If the vents are blocked, airflow will be obstructed and temperature and moisture problems may occur.

**IMPORTANT:** To avoid odor transfer and drying out of food, wrap or cover foods tightly.

## Using the Controls

The control panels for both double drawer models are located in the upper drawer. To view and set the Upper and Lower control panel, pull out the upper drawer.



### IMPORTANT:

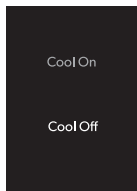
- Wait 24 hours after you turn on the refrigerator drawers before you put food into the drawers. If you add food before the drawers have cooled completely, your food may spoil.

**NOTE:** Adjusting the controls to a lower (colder) setting in one or both drawers will not cool them any faster.

- If the temperature is too warm or too cold in the drawers, first check the air vents to be sure they are not blocked before adjusting the controls.
- The preset settings should be correct for normal household usage. The refrigerator control is set correctly when milk or juice is as cold as you like.
- The freezer control is set correctly when ice cream is firm.
- The actual temperature may differ from the display when a drawer is open for an extended period of time.

## Turning Drawers On/Off

- The first time that the drawers are plugged in, the control will be in Cool Off mode. Cool On and Cool Off will be the only options that display.



- Press COOL ON for 3 seconds to turn on the drawers. All menus and recommended temperature settings will be displayed.



Style 1: Refrigerator drawer models

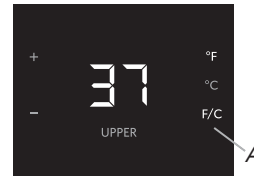


Style 2: Refrigerator/freezer combo models

- The left temperature and presets touch pads control the temperature of the upper compartment.
- The right temperature and presets touch pads control the temperature of the lower compartment.

## Viewing Celsius Temperatures

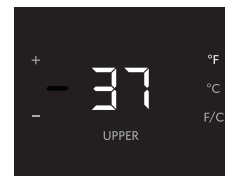
- Press the F/C touch pad to toggle between displaying the temperature in degrees Fahrenheit and degrees Celsius. The corresponding indicator will illuminate.



A. F/C touch pad

## Set to Recommended Temperatures

When the refrigerator is turned On for the first time, a recommended temperature is set by default. The controls adjust the temperature of both compartments independently.



- To adjust set point temperatures, press “+” (plus) or “-” (minus) until the desired temperature setting is reached.

### Model JUD24FR\*

**NOTE:** The set point for the double refrigerator drawers model is 37°F (2°C). The set point range for this model is 32°F to 42°F (0°C to 5°C) for both compartments.

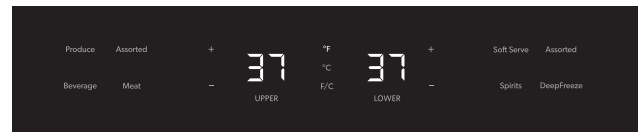
### Model JUD24FC\*

**NOTE:** The set point for the refrigerator/freezer drawers model is 37°F (2°C) for the refrigerator drawer and 0°F (-17°C) for the freezer drawer. The set point range for the refrigerator/freezer drawers model is 32°F to 42°F (0°C to 5°C) for the refrigerator drawer and -8°F to 6°F (-22°C to -14°C) for the freezer drawer.

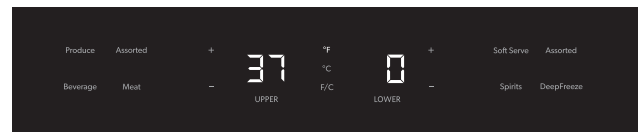
**NOTE:** Wait at least 24 hours between adjustments for the product to acclimate.

## Using Presets

For your convenience, each drawer also has controls that are preset to recommended storage temperatures for specific products.



Style 1: Refrigerator drawer models



Style 2: Refrigerator/Freezer combo models

Pressing any preset option will set the temperature to the recommended temperature for each category:

### Refrigerator Drawers

- Produce: 39°F (3°C)
- Assorted: 37°F (2°C)
- Beverage: 34°F (1°C)
- Meat: 32°F (0°C)

### Freezer Drawer

- Soft Serve: 6°F (-14°C)

**NOTE:** Soft Serve is a temporary temperature setting that will only last for 4 hours and returns to the previous temperature set point when complete.

- Assorted: 0°F (-17°C)
- Spirits: -2°F (-18°C)
- Deep Freeze: -8°F (-22°C)

---

### Max Cool

---

The Max Cool feature assists with periods of heavy usage, full grocery loads or temporarily warm room temperatures.



Max Cool will reset the temperature for the refrigerator drawer to 32°F (0°C) and -3°F (-19°C) for the freezer drawer for a 24-hour period.

- Press MAX COOL to activate Max Cool feature.

**NOTE:** The temperature display will remain at -3°F (-19°C) and the indicator light will remain On for a 24-hour period unless any of the following happens:

- User adjusts any of the compartment temperatures
- Cool Off Mode is entered (activated by user)
- Sabbath Mode is entered (activated by user)
- After 24 hours, the temperature will automatically return to the previous temperature set point and the indicator light will turn Off.

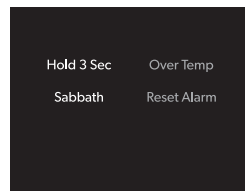
**NOTE:** If the previous temperature set point was set to Soft Serve in the freezer drawer, the temperature will return to the recommended temperature (0°F/-17°C) instead when Max Cool is complete.

---

### Sabbath Mode

---

Sabbath Mode is designed for the traveler or for those whose religious observances require turning off the lights. By selecting this feature, the temperature set points remain unchanged, but the control panel lights, interior lights, and control audio turn off. For most efficient refrigerator drawers operation, it is recommended to exit the Sabbath Mode when it is no longer required.



- Press and hold SABBATH for 3 seconds to turn on the feature. After the 3-second countdown, the feature will activate and all other displays will turn Off.
- Press and hold SABBATH for 3 seconds to turn off the feature and turn on the display.

---

### Drawer Open

---

If any drawer is open longer than 5 minutes, an alarm will sound every 2 minutes until all drawers are closed or any control is pressed.

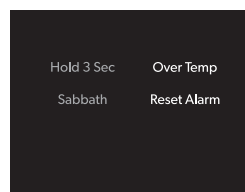
---

### Over Temp Alarm

---

**NOTE:** If the Over Temp Alarm activates, your food may spoil. See "Power Interruptions." Minimize opening of drawers until temperatures return to normal.

The Over Temperature feature is designed to let you know when either the refrigerator drawer temperature rises above 45°F (7°C) or the freezer drawer temperature rises above 6°F (-14°C) for 4 hours or longer. The audio alarm will shut off automatically when the temperature returns to normal. To let you know an Over Temperature condition occurred, the indicator light will continue to flash until the Reset Alarm touch pad is pressed.



If the over temperature condition is still present when an Over Temp reset is performed, the indicator light will continue to reactivate every 4 hours until refrigerator and freezer temperatures are below 45°F (7°C) and 15°F (-9°C), respectively.

**NOTE:** These features will not appear on your control unless your refrigerator is over temperature and the alarm requires a reset.

---

### Showroom Mode

---

This mode is used only when the refrigerator is on display in a retail store. If you unintentionally turn on Showroom mode, Cool Off will light up on the display, and the controls will appear to work. Exit Showroom mode by pressing and holding COOL ON and SABBATH at the same time for 3 seconds.

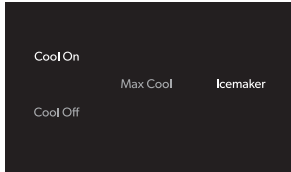
# Ice Maker and Water Filtration System

## (Refrigerator/Freezer Drawers only)

**IMPORTANT:** After connecting the refrigerator to a water source or replacing the water filter, fill and discard three full containers of ice to prepare the water filter for use before using ice.

### Turning the Ice Maker On/Off

**IMPORTANT:** Use the Icemaker touch pad on the control panel to turn on or off the Icemaker. Do not adjust the wire arm located on the ice maker.



- Press the ICEMAKER touch pad to turn on the ice maker. The indicator will illuminate when On.
- Press the ICEMAKER touch pad to turn off the ice maker.

**REMEMBER:**

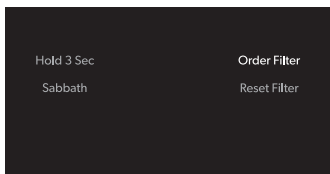
- Allow 24 hours to produce the first batch of ice.
- The quality of your ice will only be as good as the quality of the water supplied to your ice maker.
- Avoid connecting the ice maker to a softened water supply. Water softener chemicals (such as salt) can damage parts of the ice maker and lead to poor quality ice. If a softened water supply cannot be avoided, make sure the water softener is operating properly and is well maintained.
- Do not store anything in the ice storage bin.

### Water Filtration System

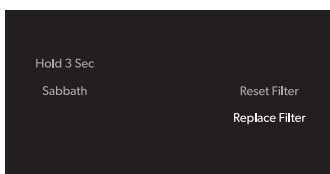
Do not use with water that is microbiologically unsafe or of unknown quality without adequate disinfection before or after the system.

### Water Filter Indicator / Reset Filter

The water filter indicator will help you know when to change your water filter. The indicator will change from dark to yellow when it is time to order a new filter.



The indicator will then change from yellow to red when it is time to replace the water filter.



The disposable water filter should be replaced at least every 6 months. After replacing the water filter, reset the water filter indicator.

- Press and hold RESET FILTER for 3 seconds. The indicator light will turn Off.

**NOTE:** These features will not appear on your control unless you need to order or replace your filter.

### Changing the Water Filter

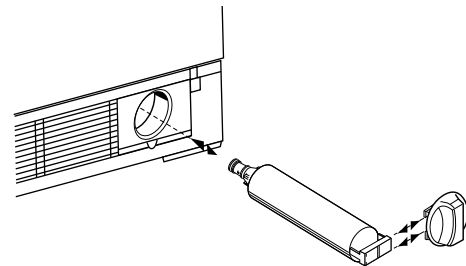
The water filter is located through the base grille. You do not have to remove the base grille in order to change the water filter.

1. Locate the water filter cap in the front base grille. Rotate the cap counterclockwise to a vertical position and pull the cap and water filter out through the base grille.

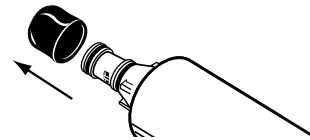
**NOTE:** There will be water in the filter. Some spilling may occur.

2. Remove the filter cap by sliding it off the end of the old filter. The cap will slide to the left or right.

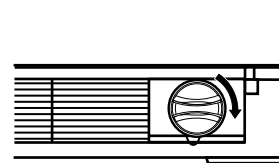
**IMPORTANT:** Do not discard the cap. It is part of your refrigerator. Keep the cap to use with the replacement filter.



3. Take the new water filter out of its packaging and remove the cover from the O-rings.



4. Slide the filter cap onto the new water filter. See the illustration in Step 2.
5. With the filter cap in the vertical position, insert the new filter into the base grille until it stops. Rotate the cartridge cap clockwise to a horizontal position.



### Using the Ice Maker Without the Water Filter

You can run the ice maker without a water filter. Your water will not be filtered.

1. Slide the filter cap off the end of the water filter. With the filter cap in the horizontal position, insert the cap into the base grille until it stops.

**IMPORTANT:** Do not discard the cap. It is part of your refrigerator. Keep the cap to use with a replacement filter.

# REFRIGERATOR DRAWERS CARE

## Cleaning

### **WARNING**



#### Explosion Hazard

Use nonflammable cleaner.

Failure to do so can result in death, explosion, or fire.

The drawers defrost automatically. However, clean both drawers about once a month to avoid buildup of odors. Wipe up spills immediately.

#### To clean your refrigerator drawers:

1. Hand wash, rinse, and dry interior surfaces thoroughly. Use a clean sponge or soft cloth and a mild detergent in warm water.
  - Do not use abrasive or harsh cleaners such as window sprays, scouring cleansers, flammable fluids, cleaning waxes, concentrated detergents, bleaches or cleansers containing petroleum products on plastic parts, interior and drawer liners or gaskets. Do not use paper towels, scouring pads, or other harsh cleaning tools. These can scratch or damage materials.
  - To help remove odors, you can wash interior walls with a mixture of warm water and baking soda (2 tbs to 1 qt [26 g to 0.95 L] of water).
2. Wash stainless steel and painted metal exteriors with a clean sponge or soft cloth and a mild detergent in warm water. Do not use abrasive or harsh cleaners. Dry thoroughly with a soft cloth. To avoid damage to painted metal exteriors, apply appliance wax (or auto paste wax) with a clean, soft cloth. Do not wax plastic parts.

**NOTE:** To keep your Stainless Steel refrigerator drawers looking like new and to remove minor scuffs or marks, it is suggested that you use the manufacturer's approved Stainless Steel Cleaner and Polish. To order the cleaner, see "Accessories."

**IMPORTANT:** This cleaner is for Stainless Steel parts only!

Do not allow the Stainless Steel Cleaner and Polish to come into contact with any plastic parts such as the trim pieces or drawer gaskets. If unintended contact does occur, clean plastic part with a sponge and mild detergent in warm water. Dry thoroughly with a soft cloth.

## Power Interruptions

If the power will be out for 24 hours or less, keep both refrigerator drawers closed to help food stay cold.

If the power will be out for more than 24 hours, do one of the following:

- Place all perishable food in a food locker or cooler with dry ice.
- If neither a food locker or cooler is available, consume food if still cold or throw away perishable food at once.

## Vacation Care

Your refrigerator drawers are equipped with the Sabbath Mode feature. By selecting this feature, the temperature set points remain unchanged, but the control panel and interior lights will turn off. For most efficient refrigerator drawers operation, it is recommended to exit the Sabbath Mode when it is no longer required.

#### If you choose to leave the refrigerator drawers on while you're away:

1. Use up any perishables and freeze other items.
2. Press and hold SABBATH for 3 seconds. After countdown, the display and lights will turn off but the refrigerator continues with normal operation.
3. When you return from vacation, press and hold SABBATH for 3 seconds to return to normal operation.

#### If you choose to turn the refrigerator drawers off before you leave:

1. Remove all food from the refrigerator drawers.
2. Turn Off the Control Panel for the Upper and the Lower drawers. See "Using the Controls."
3. Clean refrigerator drawers, wipe and dry them well.
4. Tape rubber or wood blocks to the tops of both drawers to prop them open far enough for air to get in. This stops odor and mold from building up.



# TROUBLESHOOTING

Try the solutions suggested here first in order to avoid the cost of an unnecessary service call.

## Your refrigerator drawers will not operate

### ⚠ WARNING



#### Electrical Shock Hazard

Plug into a grounded 3 prong outlet.

Do not remove ground prong.

Do not use an adapter.

Do not use an extension cord.

Failure to follow these instructions can result in death, fire, or electrical shock.

- **Is the power supply cord unplugged?** Plug into a grounded 3 prong outlet.
- **Has a household fuse blown, or a circuit breaker tripped?** Replace the fuse or reset the circuit breaker. If the problem continues, call an electrician.
- **Is the refrigerator control set to the Cool Off setting?** See “Using the Controls.”
- **Are the refrigerator drawers not cooling?** Turn them off then on again to reset. See “Using the Controls.” If this does not correct the problem, call for service.

## The motor seems to run too much

- **Is the room temperature hotter than normal?** The motor will run longer under warm conditions. At normal room temperatures, expect your motor to run about 80% of the time. Under warmer conditions, it will run even more.
- **Has a large amount of food just been added to the refrigerator drawers?** Adding a large amount of food warms the refrigerator drawers. The motor normally will run longer to cool the refrigerator drawers back down.
- **Are the drawers opened often?** The motor will run longer when this occurs. Conserve energy by getting all items out at one time, keeping food organized, and closing the drawer as soon as possible.
- **Are the controls not set correctly for the surrounding conditions?** See “Using the Controls.”
- **Are the drawers not closed completely?** Close the drawers firmly. If they do not close completely, see “The drawers will not close completely” later in this section.
- **Are the drawer gaskets not sealed all the way around?** Contact a technician or other qualified person.

## The refrigerator drawers seems to make too much noise

The sounds may be normal for your refrigerator drawers. See “Normal Sounds.”

## The divider between the two compartments is warm

The warmth is probably due to normal operation of the automatic exterior moisture control. If still concerned, call for service.

## Temperature is too warm

- **Are the air vents blocked in either compartment?** This obstructs cold air movement between the compartments. Remove any objects from in front of the air vents. See “Ensuring Proper Air Circulation” for the location of air vents.
- **Are the drawers opened often?** The refrigerator drawers will warm when this occurs. Keep the refrigerator drawers cool by getting all items out at one time, keeping food organized, and closing the door as soon as possible.
- **Has a large amount of food just been added to the refrigerator drawers?** Adding a large amount of food warms the refrigerator drawers. It can take several hours for the refrigerator drawers to return to the normal temperature.
- **Are the controls set correctly for the surrounding conditions?** See “Using the Controls.”
- **Are the refrigerator drawers not cooling?** Turn them off then on again to reset. See “Using the Controls.” If this does not correct the problem, call for service.

## There is interior moisture buildup

- **Are the air vents blocked in the refrigerator drawers?** Remove any objects from in front of the air vents. See “Ensuring Proper Air Circulation” for the location of air vents.
- **Are the drawers opened often?** Avoid humidity buildup by getting all items out at one time, keeping food organized, and closing the drawer as soon as possible.
- **Is the room humid?** It is normal for moisture to build up inside the refrigerator drawers when the room air is humid.
- **Is the food packaged correctly?** Check that all food is securely wrapped. Dry damp food containers before placing in the refrigerator drawers.
- **Are the controls set correctly for the surrounding conditions?** See “Using the Controls.”

## The drawers will not close completely

- **Are food packages blocking the drawer open?** Rearrange containers so that they fit more tightly and take up less space.

---

## The drawers are difficult to open

---

### **WARNING**



#### Explosion Hazard

Use nonflammable cleaner.

Failure to do so can result in death, explosion, or fire.

- **Are the gaskets dirty or sticky?** Clean gaskets and the surface that they touch. Rub a thin coat of paraffin wax on the gaskets following cleaning.

---

## ASSISTANCE OR SERVICE

Before calling for assistance or service, please check "Troubleshooting." It may save you the cost of a service call. If you still need help, follow the instructions below.

When calling, please know the purchase date and the complete model and serial number of your appliance. This information will help us to better respond to your request.

### If you need replacement parts

If you need to order replacement parts, we recommend that you only use factory specified replacement parts. Factory specified replacement parts will fit right and work right because they are made with the same precision used to build every new Jenn-Air appliance.

To locate factory specified parts in your area, call us or your nearest designated service center.

---

## In the U.S.A.

Call the Jenn-Air Customer eXperience Center toll free: **1-800-JENNAIR (1-800-536-6247)**.

### Our consultants provide assistance with:

- Features and specifications on our full line of appliances.
- Installation information.
- Use and maintenance procedures.
- Accessory and repair parts sales.
- Specialized customer assistance (Spanish speaking, hearing impaired, limited vision, etc.).
- Referrals to local dealers, repair parts distributors, and service companies. Jenn-Air designated service technicians are trained to fulfill the product warranty and provide after-warranty service, anywhere in the United States.

To locate the Jenn-Air designated service company in your area, you can also look in your telephone directory Yellow Pages.

### For further assistance

If you need further assistance, you can write to Jenn-Air with any questions or concerns at:

Jenn-Air Brand Home Appliances  
Customer eXperience Center  
553 Benson Road  
Benton Harbor, MI 49022-2692

Please include a daytime phone number in your correspondence.

---

## In Canada

Call the Jenn-Air Canada Customer eXperience Centre toll free: **1-800-JENNAIR (1-800-536-6247)**.

### Our consultants provide assistance with:

- Features and specifications on our full line of appliances.
- Use and maintenance procedures.
- Accessory and repair parts sales.
- Referrals to local dealers, repair parts distributors, and services companies. Jenn-Air Canada designated service technicians are trained to fulfill the product warranty and provide after-warranty service, anywhere in Canada.

### For further assistance

If you need further assistance, you can write to Jenn-Air Canada with any questions or concerns at:

Jenn-Air Brand Home Appliances  
Customer eXperience Centre  
200 – 6750 Century Ave.  
Mississauga, Ontario L5N 0B7

Please include a daytime phone number in your correspondence.

---

## Accessories

To order accessories, call **1-800-JENNAIR (1-800-536-6247)**, and ask for the appropriate part number listed below or contact your authorized Jenn-Air dealer.

### Replacement water filter:

Order Part #4396701

### affresh® Kitchen & Appliance Cleaner:

In U.S.A., order part #W10355010

In Canada, order part # W10355010B

### affresh® Stainless Steel Cleaner:

In U.S.A., order part #W10355016

In Canada, order part # W10355016B



# PRODUCT DATA SHEETS

## Base Grille Water Filtration System Model WF-L200V Capacity 200 Gallons (757 Liters) Model WF-NL120V Capacity 120 Gallons (454 Liters)



Tested and certified by NSF International against ANSI/NSF Standard 42 for the reduction of Chlorine, Taste and Odor, Particulate Class III\*; and against ANSI/NSF Standard 53 for the reduction of Lead, Mercury, Benzene, and p-dichlorobenzene.

This system has been tested according to ANSI/NSF 42/53 for the reduction of the substances listed below. The concentration of the indicated substances in water entering the system was reduced to a concentration less than or equal to the permissible limit for water leaving the system, as specified in ANSI/NSF 42/53.

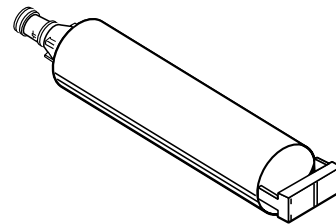
Substance Reduction	NSF Reduction Requirements	Average Influent	Influent Challenge Concentration	Maximum Effluent	Average Effluent	Minimum % Reduction	Average % Reduction
Chlorine Taste/Odor Particulate Class III*	≥50% ≥85%	1.9 mg/L 49,333/mL	2.0 mg/L ± 10% At least 10,000 particles/mL	0.07 mg/L 640 mg/L**	0.06 mg/L 312 mg/L	>75.0% 98.7%	>75.0% 99%
Contaminant Reduction	NSF Reduction Requirements	Average Influent	Influent Challenge Concentration	Maximum Effluent	Average Effluent	Minimum % Reduction	Average % Reduction
Lead: @ pH 6.5 Lead: @ pH 8.5	0.01mg/L 0.01mg/L	0.14 mg/L*** 0.15 mg/L***	0.15 mg/L ± 10% 0.15 mg/L ± 10%	0.0014 mg/L 0.0069 mg/L	0.0011 mg/L 0.0042 mg/L	99.0% 95.4%	99.21% 97.08%
Mercury: @ pH 6.5 Mercury: @ pH 8.5	0.002 mg/L 0.002 mg/L	0.0059 mg/L 0.0054 mg/L	0.006 mg/L ± 10% 0.006 mg/L ± 10%	0.0009 mg/L 0.0007 mg/L	0.0004 mg/L 0.00043 mg/L	84.74% 87.03%	92.47% 91.93%
Benzene	0.0050 mg/L	0.0157 mg/L	0.015 ± 10%	0.002 mg/L	0.00083 mg/L	87.26%	94.71%
p-dichlorobenzene	0.075 mg/L	0.210 mg/L	0.225 ± 10%	0.0005 mg/L	0.0005 mg/L	99.76%	99.76%

Test Parameters: pH = 7.5 ± 0.5 unless otherwise noted. Flow = 0.5 gpm (1.9 Lpm). Pressure = 60 psig (413.7 kPa). Temp. = 63°F (17.2°C).

- It is essential that operational, maintenance, and filter replacement requirements be carried out for the product to perform as advertised.
- Model WF-L200V:** The filter monitor system measures the amount of water that passes through the filter and alerts you to replace the filter. When 90% of the filter's rated life is used, the filter indicator light changes from green to yellow. When 100% of the filter's rated life is used, the filter indicator light changes from yellow to red, and it is recommended that you replace the filter. Use replacement cartridge L200V / NL120V, part #4396702. 2014 suggested retail price of \$32.99 U.S.A./\$49.99 Canada. Prices are subject to change without notice.
- Model WF-NL120V:** Change the water filter cartridge every 6-9 months. Use replacement cartridge L200V / NL120V, part #4396702. 2014 suggested retail price of \$32.99 U.S.A./\$49.99 Canada. Prices are subject to change without notice.
- The product is for cold water use only.
- Do not use with water that is microbiologically unsafe or of unknown quality without adequate disinfection before or after the system.
- Refer to the front cover or "Accessories" section for the Manufacturer's name, address and telephone number.
- Refer to the "Warranty" section for the Manufacturer's limited warranty.

### Application Guidelines/Water Supply Parameters

Water Supply	City or Well
Water Pressure	30 - 120 psi (207 - 827 kPa)
Water Temperature	33° - 100°F (0.6° - 37.8° C)
Service Flow Rate	0.5 GPM (1.89 L/min.) @ 60 psi.



\*Class III particle size: >5 to <15 um

\*\*Test requirement is at least 10,000 particles/mL of AC Fine Test Dust.

\*\*\*These contaminants are not necessarily in your water supply. Performance may vary based on local water conditions.

® NSF is a registered trademark of NSF International.

# JENN-AIR® REFRIGERATION LIMITED WARRANTY

ATTACH YOUR RECEIPT HERE. PROOF OF PURCHASE IS REQUIRED TO OBTAIN WARRANTY SERVICE.

Please have the following information available when you call the Customer eXperience Center:

- Name, address and telephone number
- Model number and serial number
- A clear, detailed description of the problem
- Proof of purchase including dealer or retailer name and address

## IF YOU NEED SERVICE:

1. Before contacting us to arrange service, please determine whether your product requires repair. Some questions can be addressed without service. Please take a few minutes to review the Troubleshooting or Problem Solver section of the Use and Care Guide, scan the QR code on the right to access additional resources, or visit <https://jennair.custhelp.com>.
2. All warranty service is provided exclusively by our authorized Jenn-Air Service Providers. In the U.S. and Canada, direct all requests for warranty service to:

**Jenn-Air Customer eXperience Center**  
**1-800-JENNAIR (1-800-536-6247)**



<https://jennair.custhelp.com>

If outside the 50 United States or Canada, contact your authorized Jenn-Air dealer to determine whether another warranty applies.

## FIVE YEAR LIMITED WARRANTY

### WHAT IS COVERED

#### TWO YEAR LIMITED WARRANTY

For two years from the date of purchase, when this major appliance is installed, operated and maintained according to instructions attached to or furnished with the product, Jenn-Air brand of Whirlpool Corporation or Whirlpool Canada LP (hereafter "Jenn-Air") will pay for Factory Specified Replacement Parts and repair labor to correct defects in materials or workmanship that existed when this major appliance was purchased, or at its sole discretion replace the product. In the event of product replacement, your appliance will be warranted for the remaining term of the original unit's warranty period.

#### THIRD THROUGH FIFTH YEAR LIMITED WARRANTY ON CAVITY LINER AND SEALED REFRIGERATION SYSTEM

In the third through fifth years from the date of purchase, when this major appliance is installed, operated and maintained according to the instructions attached to or furnished with the product, Jenn-Air brand will pay for factory specified replacement parts and repair labor for the following components to correct non-cosmetic defects in materials and workmanship in this part that prevent function of the refrigerator and that existed when this major appliance was purchased:

- Refrigerator/freezer cavity liner if the part cracks due to defective materials or workmanship.
- Sealed Refrigeration system (includes compressor, evaporator, condenser, dryer and connecting tubing).

YOUR SOLE AND EXCLUSIVE REMEDY UNDER THIS LIMITED WARRANTY SHALL BE PRODUCT REPAIR AS PROVIDED HEREIN. Service must be provided by a Jenn-Air designated service company. This limited warranty is valid only in the United States or Canada and applies only when the major appliance is used in the country in which it was purchased. This limited warranty is effective from the date of original consumer purchase. Proof of original purchase date is required to obtain service under this limited warranty.

### WHAT IS NOT COVERED

1. Commercial, non-residential or multiple-family use, or use inconsistent with published user, operator or installation instructions.
2. In-home Instruction on how to use your product.
3. Service to correct improper product maintenance or installation, installation not in accordance with electrical or plumbing codes or correction of household electrical or plumbing (i.e. house wiring, fuses or water inlet hoses).
4. Consumable parts (i.e. light bulbs, batteries, air or water filters, preservation solutions, etc.).
5. Defects or damage caused by the use of non-genuine Jenn-Air parts or accessories.
6. Damage from accident, misuse, abuse, fire, floods, acts of God or use with products not approved by Jenn-Air.
7. Repairs to parts or systems to correct product damage or defects caused by unauthorized service, alteration or modification of the appliance.
8. Cosmetic damage including scratches, dents, chips, and other damage to appliance finishes unless such damage results from defects in materials and workmanship and is reported to Jenn-Air within 30 days.
9. Discoloration, rust or oxidation of surfaces resulting from caustic or corrosive environments including but not limited to high salt concentrations, high moisture or humidity or exposure to chemicals.
10. Food or medicine loss due to product failure.
11. Pick-up or delivery. This product is intended for in-home repair.
12. Travel or transportation expenses for service in remote locations where an authorized Jenn-Air servicer is not available.
13. Removal or reinstallation of inaccessible appliances or built-in fixtures (i.e. trim, decorative panels, flooring, cabinetry, islands, countertops, drywall, etc.) that interfere with servicing, removal or replacement of the product.
14. Service or parts for appliances with original model/serial numbers removed, altered or not easily determined.

**The cost of repair or replacement under these excluded circumstances shall be borne by the customer.**

### DISCLAIMER OF IMPLIED WARRANTIES

IMPLIED WARRANTIES, INCLUDING ANY IMPLIED WARRANTY OF MERCHANTABILITY OR IMPLIED WARRANTY OF FITNESS FOR A PARTICULAR PURPOSE, ARE LIMITED TO ONE YEAR OR THE SHORTEST PERIOD ALLOWED BY LAW. Some states and provinces do not allow limitations on the duration of implied warranties of merchantability or fitness, so this limitation may not apply to you. This warranty gives you specific legal rights, and you also may have other rights that vary from state to state or province to province.

### DISCLAIMER OF REPRESENTATIONS OUTSIDE OF WARRANTY

Jenn-Air makes no representations about the quality, durability, or need for service or repair of this major appliance other than the representations contained in this warranty. If you want a longer or more comprehensive warranty than the limited warranty that comes with this major appliance, you should ask Jenn-Air or your retailer about buying an extended warranty.

### LIMITATION OF REMEDIES; EXCLUSION OF INCIDENTAL AND CONSEQUENTIAL DAMAGES

YOUR SOLE AND EXCLUSIVE REMEDY UNDER THIS LIMITED WARRANTY SHALL BE PRODUCT REPAIR AS PROVIDED HEREIN. JENN-AIR SHALL NOT BE LIABLE FOR INCIDENTAL OR CONSEQUENTIAL DAMAGES. Some states and provinces do not allow the exclusion or limitation of incidental or consequential damages, so these limitations and exclusions may not apply to you. This warranty gives you specific legal rights, and you also may have other rights that vary from state to state or province to province.

# SEGURIDAD DE LOS CAJONES REFRIGERADOS

## Su seguridad y la seguridad de los demás es muy importante.

Hemos incluido muchos mensajes importantes de seguridad en este manual y en su electrodoméstico. Lea y obedezca siempre todos los mensajes de seguridad.



Este es el símbolo de advertencia de seguridad.

Este símbolo le llama la atención sobre peligros potenciales que pueden ocasionar la muerte o una lesión a usted y a los demás.

Todos los mensajes de seguridad irán a continuación del símbolo de advertencia de seguridad y de la palabra "PELIGRO" o "ADVERTENCIA". Estas palabras significan:

 **PELIGRO**

Si no sigue las instrucciones de inmediato, usted puede morir o sufrir una lesión grave.

 **ADVERTENCIA**

Si no sigue las instrucciones, usted puede morir o sufrir una lesión grave.

Todos los mensajes de seguridad le dirán el peligro potencial, le dirán cómo reducir las posibilidades de sufrir una lesión y lo que puede suceder si no se siguen las instrucciones.

## INSTRUCCIONES IMPORTANTES DE SEGURIDAD

**ADVERTENCIA:** Para reducir el riesgo de incendio, choque eléctrico, o lesiones personales al usar su(s) cajón(cajones) refrigerado(s) siga estas precauciones básicas:

- Conecte a un contacto de pared de conexión a tierra de 3 terminales.
- No quite la terminal de conexión a tierra.
- No use un adaptador.
- No use un cable eléctrico de extensión.
- Desconecte el suministro de energía antes de darle servicio.
- Vuelva a colocar todos los componentes y paneles antes de hacerlo funcionar.
- Remueva la puerta o el(los) cajón(cajones) de su aparato refrigerado viejo.
- Use un limpiador no inflamable.
- Mantenga los materiales y vapores inflamables, tales como gasolina, alejados del(de los) cajón(cajones) refrigerado(s).
- Use dos o más personas para mover e instalar el(los) cajón(cajones) refrigerado(s).

## GUARDE ESTAS INSTRUCCIONES

Advertencias de la Proposición 65 del estado de California:

**ADVERTENCIA:** Este producto contiene una o más sustancias químicas identificadas por el estado de California como causantes de cáncer.

**ADVERTENCIA:** Este producto contiene una o más sustancias químicas identificadas por el estado de California como causantes de defectos congénitos o algún otro tipo de daños en la función reproductora.

## Cómo deshacerse adecuadamente de su aparato refrigerado viejo

### **⚠️ ADVERTENCIA**

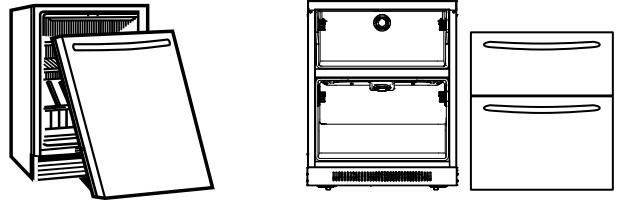
#### Peligro de Asfixia

Remueva la puerta o el(los) cajón(cajones) de su aparato refrigerado viejo.

No seguir esta instrucción puede ocasionar la muerte o daño al cerebro.

**IMPORTANTE:** El atrapamiento y asfixia de niños no es un problema del pasado. Un aparato refrigerado tirado o abandonado es un peligro, aún si va a quedar ahí "por unos pocos días". Si Ud. está por deshacerse de su aparato refrigerado viejo, por favor siga las instrucciones que se dan a continuación para prevenir accidentes.

Antes de descartar su aparato refrigerado viejo:  
Saque la puerta o el(los) cajón(cajones).



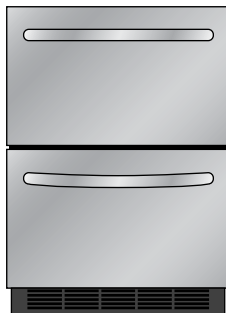
#### Información importante para saber acerca del desecho de refrigerantes:

Deshágase del refrigerador siguiendo los reglamentos federales y locales. Los refrigerantes deberán ser evacuados por un técnico certificado en refrigeración por EPA (Agencia de protección del medioambiente) según los procedimientos establecidos.

## Modelos de cajón de 24"

### Dos cajones refrigeradores

Dos cajones refrigeradores proveen opciones adicionales de almacenamiento en la cocina u otras áreas del hogar.



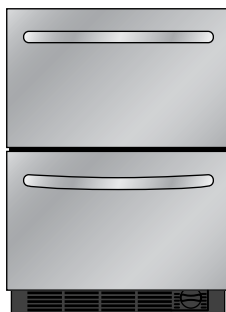
Serie Euro  
JUD24FR\*S



Revestimiento - Se requieren paneles y manijas a la medida  
JUD24FR\*X

### Cajones refrigerador/congelador (con fábrica de hielo y filtro de agua)

El cajón superior refrigerador y el cajón inferior congelador proveen opciones adicionales de almacenamiento en la cocina u otras áreas del hogar. La fábrica de hielo, instalada de fábrica, en el cajón inferior asegura un suministro constante de hielo disponible en todo momento.



Serie Euro  
JUD24FC\*S



Revestimiento - Se requieren paneles y manijas a la medida  
JUD24FC\*X

# REQUISITOS DE INSTALACIÓN

## Piezas y herramientas

### Herramientas Necesarias:

Reúna las herramientas y piezas necesarias antes de comenzar la instalación.

Lea y siga las instrucciones provistas con cualquiera de las herramientas enlistadas aquí.

- Taladro inalámbrico
- Cinta para medir
- Broca de 1/8"
- Nivel
- Destornillador Phillips

### Herramientas adicionales necesarias (Estilo 2 - Recubierto únicamente):

- Tijeras
- Punta de trazar
- Lápiz

### Piezas Necesarias (Estilo 2 - Recubierto únicamente):

- Paneles de los cajones recubiertos a la medida - Vea "Paneles de los cajones recubiertos a la medida".
- Artículos de ferretería

### Piezas Suministradas:

- Ganchos (8)
- Tornillos para madera autorroscantes (4)
- Tornillos (16)

## Requisitos de ubicación

### ⚠ ADVERTENCIA



#### Peligro de Explosión

Mantenga los materiales y vapores inflamables, tales como gasolina, alejados del(de los) cajón(cajones) refrigerado(s).

No seguir esta instrucción puede ocasionar la muerte, explosión, o incendio.

### NOTAS:

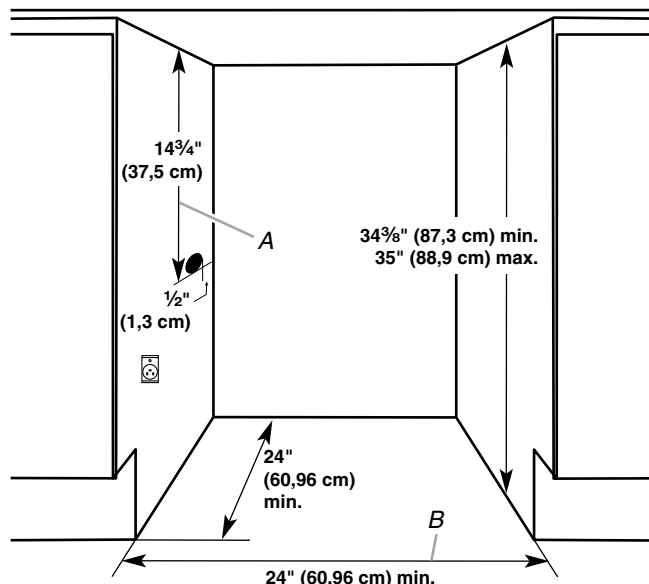
- Para que los cajones refrigerados estén alineados con el frente de los armarios de la base, quite los zócalos o molduras de la parte posterior de la abertura. Vea "Medidas del producto" y "Medidas de la abertura (ambos estilos)" más adelante en esta sección.
- No se recomienda instalar los cajones refrigerados cerca de un horno, radiador u otra fuente de calor.
- No instale en un lugar donde la temperatura puede ser menor de 55°F (13°C).

## Medidas de la abertura (ambos estilos)

- Las medidas de altura indicadas consideran las patas niveladoras extendidas a una altura mínima de 1/4" (6,35 mm) por debajo de los cajones refrigerados.

**NOTA:** Si las patas niveladoras están totalmente extendidas a 1" (25 mm) por debajo de los cajones refrigerados, agregue 3/4" (19,05 mm) a las medidas de altura. Vea "Medidas del producto".

- Si el piso de la abertura no está nivelado con el piso de la cocina, ponga calzas en la abertura para que quede nivelado con el piso de la cocina.



### Dimensiones fundamentales:

A. Abertura de uso general

B. Ancho mínimo de la abertura

## Requisitos eléctricos

### ⚠ ADVERTENCIA



#### Peligro de Choque Eléctrico

Conecte a un contacto de pared de conexión a tierra de 3 terminales.

No quite la terminal de conexión a tierra.

No use un adaptador.

No use un cable eléctrico de extensión.

No seguir estas instrucciones puede ocasionar la muerte, incendio o choque eléctrico.

Antes de mover los cajones refrigerados a su ubicación final, es importante asegurarse que tiene la conexión eléctrica adecuada.

#### Método de conexión a tierra recomendado

Se requiere una fuente de energía eléctrica de 115 Voltios, 60 Hz., CA solamente y con fusibles de 15 ó 20 amperios, conectada a tierra. Se recomienda que use un circuito separado sólo para sus cajones refrigerados. Use un tomacorriente que no se pueda apagar con un interruptor. No use un cable eléctrico de extensión.

**IMPORTANTE:** Si este producto está conectado a un tomacorriente equipado con un GFCI (Ground Fault Circuit Interrupter- Interruptor de circuito de falla eléctrica de puesta a tierra), puede ocurrir un disparo molesto del suministro de energía, lo que resultará en la pérdida de enfriamiento. Esto puede afectar la calidad y el sabor de los alimentos. Si ha ocurrido un disparo molesto, y el alimento aparenta estar en malas condiciones, deshágase del mismo.

## Requisitos del suministro de agua (solamente en cajones refrigerados/ congeladores)

Reúna las herramientas y piezas necesarias antes de comenzar la instalación. Lea y siga las instrucciones provistas con cualquiera de las herramientas enlistadas aquí.

#### IMPORTANTE:

- Si enciende el refrigerador antes de conectar la tubería del agua, APAGUE la fábrica de hielo.
- Todas las instalaciones deben hacerse de acuerdo a los requerimientos del código de plomería local.
- Use tuberías de cobre y revise si hay fugas. Instale tubería de cobre sólo en áreas donde la temperatura va a permanecer por encima del punto de congelación.

**HERRAMIENTAS REQUERIDAS:** Destornillador de hoja plana, llaves de boca de  $\frac{7}{16}$ " y  $\frac{1}{2}$ " o 2 llaves ajustables, llave para tuercas y broca de barrena de  $\frac{1}{4}$ ", taladro inalámbrico.

**NOTA:** El distribuidor de su refrigerador tiene un juego con una válvula de cierre tipo montura de  $\frac{1}{4}$ " (6,35 mm), una unión y tubería de cobre. Antes de comprar, asegúrese de que la válvula tipo montura cumpla con los códigos de plomería de su localidad. No use una válvula perforadora o una válvula de montura de  $\frac{3}{16}$ " (4,76 mm) que reduce el flujo de agua y se obstruye con más facilidad.

## Presión del agua

Se necesita un suministro de agua fría con presión de agua entre 30 y 120 lbs/pulg<sup>2</sup> (207 y 827 kPa) para hacer funcionar la fábrica de hielo. Si usted tiene preguntas acerca de la presión de agua de su hogar, llame a un plomero competente autorizado.

#### Suministro de agua de ósmosis inversa

**IMPORTANTE:** La presión del suministro de agua que sale de un sistema de ósmosis inversa y va a la válvula de entrada de agua del refrigerador necesitará ser entre 30 y 120 lbs/pulg<sup>2</sup> (207 y 827 kPa).

Si se conecta un sistema de filtración de agua de ósmosis inversa al suministro de agua fría, la presión de agua al sistema necesitará ser de un mínimo de 40 a 60 lbs/pulg<sup>2</sup> (276 a 414 kPa).

Si la presión del agua al sistema de ósmosis inversa es menor de 40 a 60 lbs/pulg<sup>2</sup> (276 a 414 kPa):

- Fíjese si el filtro de sedimentos en el sistema de ósmosis inversa está bloqueado y reemplácelo si fuera necesario.
- Deje que se vuelva a llenar el tanque de almacenaje del sistema de ósmosis inversa después del uso intenso.

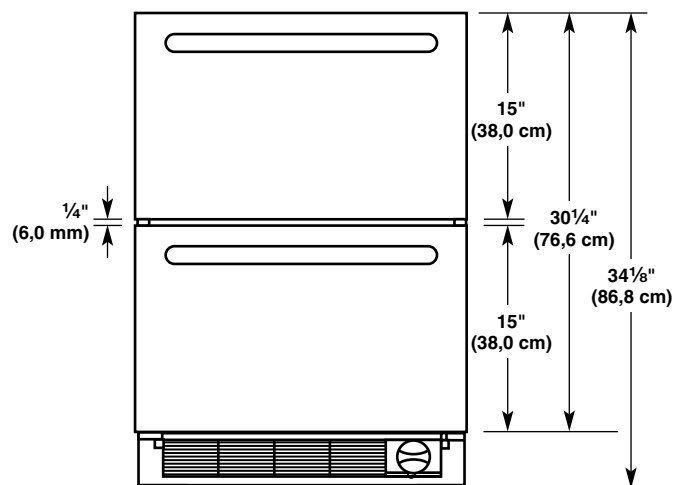
Si tiene preguntas acerca de la presión del agua, llame a un plomero competente autorizado.

## Medidas del producto

### Dimensiones de altura de los cajones

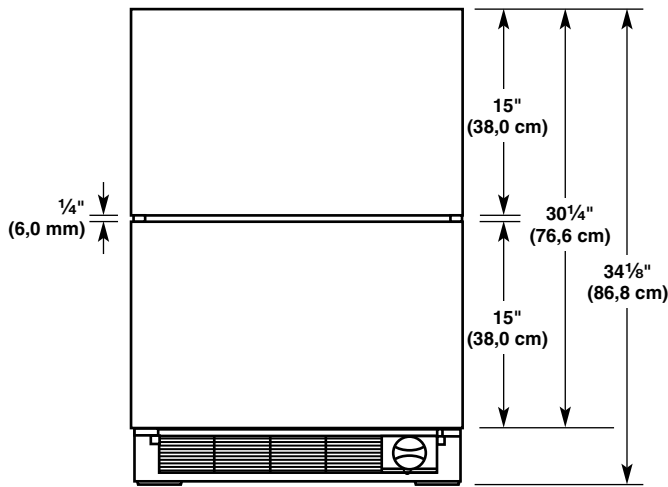
- Las medidas de altura indicadas consideran las patas niveladoras extendidas a  $\frac{1}{4}$ " (6,35 mm) por debajo de los cajones refrigerados.
- Si las patas niveladoras están totalmente extendidas a 1" (25 mm) por debajo de los cajones refrigerados, agregue  $\frac{3}{4}$ " (19,05 mm) a las medidas de altura.
- El cable de suministro de energía es de 60" (152,4 cm) de largo.

### Estilo 1 - Serie Euro (vista frontal)



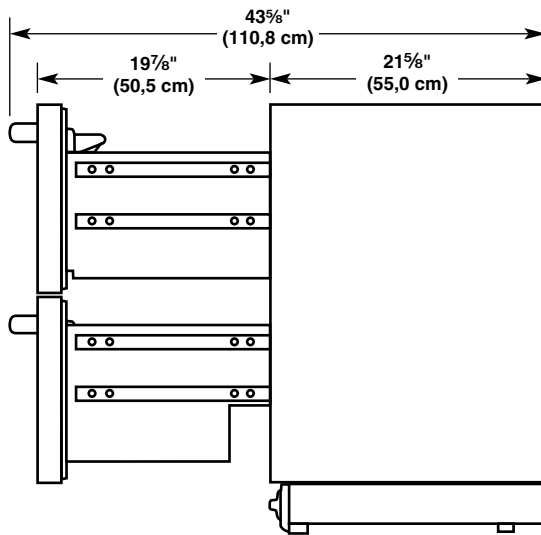


## Estilo 2 - Recubierto (vista frontal)

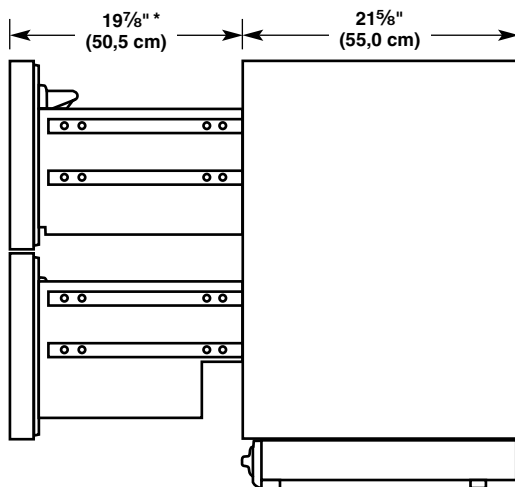


## Medidas de profundidad de los cajones

## Estilo 1 - Serie Euro (vista lateral)



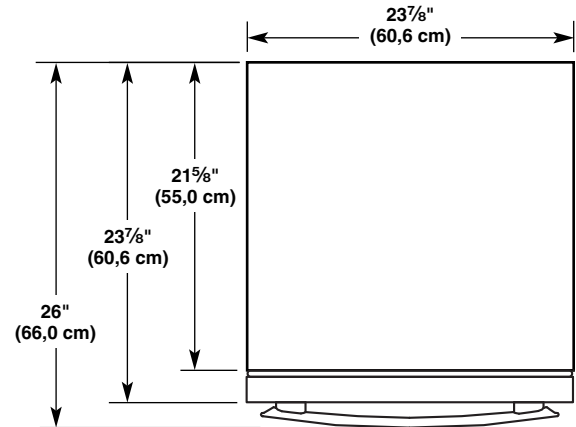
## Estilo 2 - Recubierto (vista lateral)



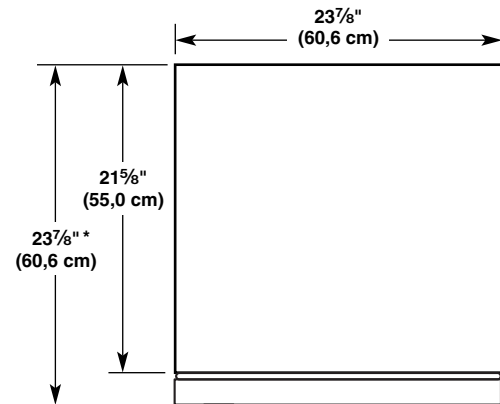
\*Las dimensiones abarcan el panel del cajón a la medida grueso de 3/4" (1.9 cm).

## Medidas de anchura de los cajones

## Estilo 1 - Euro (vista superior)



## Estilo 2 - Recubierto (vista superior)



\*Las dimensiones abarcan el panel del cajón a la medida grueso de 3/4" (1.9 cm).

## Paneles de los cajones recubiertos a la medida

Si va a instalar paneles de madera a la medida, deberá hacerlos usted mismo o consultar a un carpintero o fabricante de gabinetes calificado. Para obtener información acerca de las especificaciones de los paneles, vea los gráficos dimensionales.

### IMPORTANTE:

- El grosor de los paneles recubiertos debe ser de 3/4" (19,05 mm).
- Para evitar dañar a los cajones, cada panel recubierto no debe pesar más de 10 lb (4,5 kg).
- No sobrepase la medida de altura establecida para los paneles recubiertos. Los paneles que sobrepasan la medida de altura pueden dañar los cajones refrigeradores, los gabinetes o el mostrador.
- El ancho de los paneles recubiertos puede variar de acuerdo con el ancho de la abertura del gabinete.

- Para la instalación del panel a la medida, necesitará las siguientes piezas:
  - 16 tornillos (roscante 1, plano de acero inoxidable M4x12)
  - 4 tornillos para madera autorroscantes
  - 4 placas para ganchos recubiertos del cajón derecho (SPHC T=2,3)
  - 4 placas para ganchos recubiertos del cajón izquierdo (SPHC T=2,3)



A

B



C

D

A. Tornillos roscantes planos M4x12 de acero inoxidable

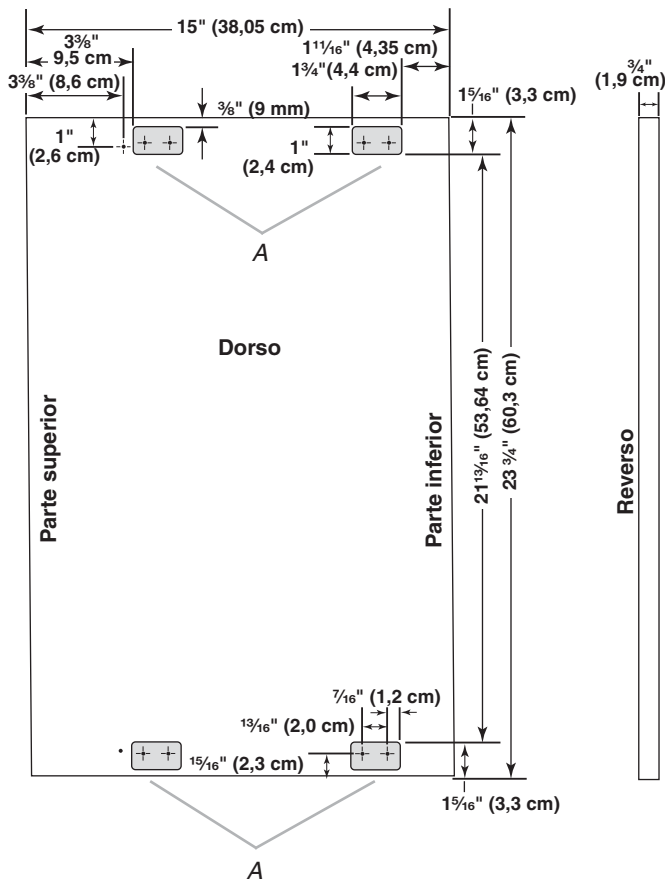
B. Tornillos para madera autorroscantes

C. Placa para ganchos recubiertos derecha

D. Placa para ganchos recubiertos izquierda

**NOTA:** Algunas o todas las piezas pueden o no estar incluidas. Si el producto no incluye algunas piezas, póngase en contacto con Ayuda o Servicio técnico o consulte con un especialista.

### Medidas del panel superior e inferior de los cajones recubiertos



A. Contornee  $\frac{1}{8}$ " (3,18 mm) de profundidad.

# INSTRUCCIONES DE INSTALACIÓN

## Cómo desempacar los cajones refrigerados

### ⚠ ADVERTENCIA

#### Peligro de Peso Excesivo

Use dos o más personas para mover e instalar el(los) cajón(cajones) refrigerado(s).

No seguir esta instrucción puede ocasionar una lesión en la espalda u otro tipo de lesiones.

### Cómo quitar los materiales de empaque

Quite los restos de cinta y goma de las superficies de su cajón refrigerado antes de encenderlo. Frote un poco de detergente líquido para vajillas sobre el resto de goma con los dedos. Limpie con agua tibia y seque. No use instrumentos filosos, alcohol para fricciones, líquidos inflamables o productos de limpieza abrasivos para eliminar los restos de cinta o goma. Estos productos pueden dañar la superficie de sus cajones refrigerados. Descarte apropiadamente los materiales de empaque.

### Cuando mueva sus cajones refrigerados:

Sus cajones refrigerados son muy pesados. Cuando mueva el electrodoméstico para darle servicio, cerciúrese de cubrir el piso con cartón o madera para evitar daños en el mismo. Al mover el electrodoméstico, siempre tire directamente hacia afuera. No menee el electrodoméstico de lado a lado ni lo haga "caminar" cuando lo trate de mover ya que podría dañar el piso.

### Limpieza antes del uso

Una vez que usted haya quitado todos los materiales de empaque, limpie el interior de sus cajones refrigerados antes de usarlos. Vea "Limpieza".



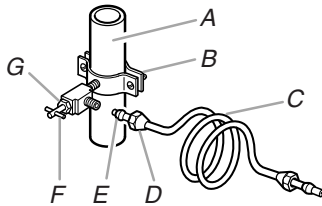
## Conexión del suministro de agua (solamente en cajones refrigerados/ congeladores)

### Conexión a la línea de agua

1. Desenchufe el refrigerador o desconecte el suministro de energía.
2. CIERRE el suministro principal de agua. ABRA la llave de agua más cercana al tiempo suficiente para que la tubería de agua se vacíe totalmente.
3. Busque una tubería vertical de agua fría de 1/2" a 1 1/4" (1,25 cm a 3,18 cm) cercana al refrigerador.

#### IMPORTANTE:

- Asegúrese de que sea una tubería de agua fría.
  - Una tubería horizontal funcionará, pero taladre por el lado superior de la tubería, no por debajo. Esto ayudará a mantener el agua alejada del orificio taladrado. Esto también evita que se junte sedimento normal en la válvula.
4. Para determinar la longitud de la tubería de cobre que va a necesitar, mida desde la conexión de la parte inferior trasera izquierda del refrigerador hasta la tubería de agua. Agregue 7 pies (2,1 m) para la limpieza. Use tubería de cobre de 1/4" (6,35 mm) de diámetro externo. Asegúrese que ambos extremos de la tubería de cobre estén cortados rectos.
  5. Usando un taladro inalámbrico, haga un orificio de 1/4" en la tubería de agua fría que Ud. eligió.



A. Tubería de agua fría  
B. Abrazadera para tubería  
C. Tubería de cobre  
D. Tuerca de compresión  
E. Manga de compresión  
F. Válvula de cierre  
G. Tuerca de presión

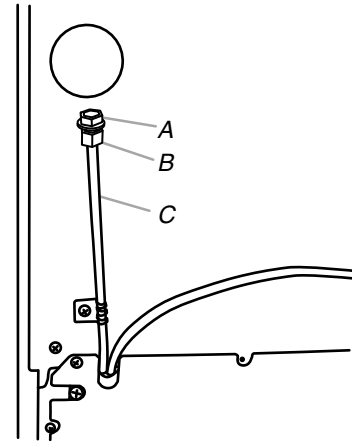
6. Ajuste la válvula de cierre a la tubería de agua fría con una abrazadera para tubería. Asegúrese que el extremo de salida esté firmemente insertado en el orificio taladrado de 1/4" en la tubería de agua y que la arandela esté por debajo de la abrazadera para tubería. Ajuste la tuerca de presión. Ajuste los tornillos de la abrazadera para tubería lentamente y en forma pareja de manera que la arandela provea un cierre hermético. No apriete demasiado porque se puede quebrar la tubería de cobre.
7. Deslice la manga de compresión y la tuerca de compresión sobre la tubería de cobre como se muestra. Inserte el extremo de la tubería en el extremo de salida hasta donde sea posible. Atornille la tuerca de compresión sobre el extremo de salida con una llave ajustable. No apriete demasiado.
8. Coloque el extremo libre de la tubería dentro de un recipiente o fregadero, y ABRA la llave de agua principal. Enjuague la tubería hasta que el agua salga limpia. CIERRE la válvula de cierre del agua en la tubería de agua. Enrolle la tubería de cobre en espiral.

### Conexión al refrigerador

1. Conecte el tubo de cobre a la entrada de la válvula usando una tuerca de compresión y manga de compresión como se muestra. Ajuste la tuerca de compresión. No apriete demasiado. Use la abrazadera para tubería en la parte trasera del refrigerador para afianzar la tubería al refrigerador según se muestra.

Esto ayudará a evitar daños en la tubería cuando el refrigerador se empuje nuevamente contra la pared.

2. ABRA la válvula de cierre.
3. Revise si hay fugas. Ajuste todas las conexiones (incluyendo conexiones a la válvula) o tuercas que tengan fugas.



A. Tapón  
B. Tuerca de compresión  
C. Tubería Pex

4. La fábrica de hielo está equipada con un filtro de agua incorporado. Si las condiciones del agua local requieren un segundo filtro de agua, se debe instalar en la línea de agua de 1/4" (6,35 mm) en cualquiera de las conexiones de la tubería. Consiga un filtro de agua en el distribuidor de electrodomésticos más cercano a su domicilio.
5. Enchufe el refrigerador o reconecte el suministro de energía.

## Mueva los cajones refrigerados a su posición final

1. Coloque la parte superior del empaque de cartón o madera contrachapada debajo del electrodoméstico. Quite la plataforma rodante.
2. No quite la película ni la cubierta.

## ⚠ ADVERTENCIA



### Peligro de Choque Eléctrico

Conecte a un contacto de pared de conexión a tierra de 3 terminales.

No quite la terminal de conexión a tierra.

No use un adaptador.

No use un cable eléctrico de extensión.

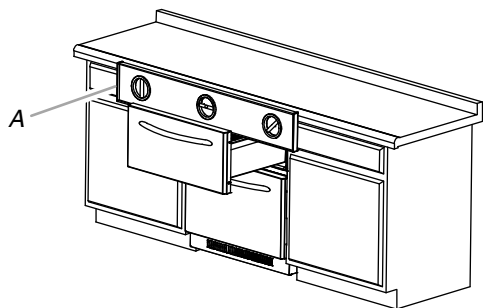
No seguir estas instrucciones puede ocasionar la muerte, incendio o choque eléctrico.

3. Conecte a un contacto de pared de conexión a tierra de 3 terminales.
4. Mueva los cajones refrigerados directamente hacia atrás y en forma pareja hacia el frente de la abertura.

## Nivelación de los cajones refrigerados

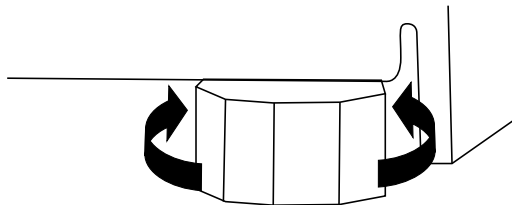
### IMPORTANTE:

- Modelo recubierto—Asegúrese de instalar los paneles para el cajón recubierto a la medida antes de nivelar los cajones refrigerados. Vea “Cómo instalar el panel recubierto a la medida”.
  - Asegúrese de que el mostrador esté nivelado antes de instalar los cajones refrigerados.
  - Si el mostrador no está nivelado, ajuste las patas niveladoras de los cajones refrigerados hasta que el aparato esté alineado con el mostrador. Asegúrese de mantener un espacio mínimo de  $\frac{3}{8}$ " (9,5 mm) entre la parte superior del cajón y el mostrador.
1. Abra el cajón superior y ubique el nivel a lo ancho del cajón, como se muestra. Verifique que esté nivelado de izquierda a derecha.

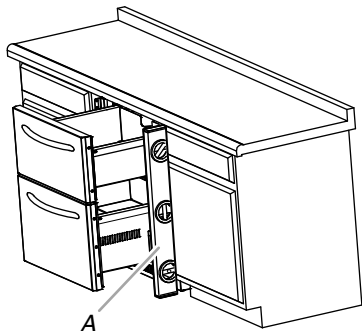


A. Verifique que esté nivelado de izquierda a derecha.

2. Gire las patas niveladoras (delantera y trasera) hasta que el cajón superior se vea nivelado al medirlo de izquierda a derecha.



3. Quite el nivel y cierre el cajón superior. Verifique el espacio entre la parte superior del cajón y el mostrador. Si el espacio mide menos del mínimo de  $\frac{3}{8}$ " (9,5 mm), gire los cuatro pernos niveladores hacia la izquierda en forma pareja para subir las patas niveladoras (esto bajará el aparato). Verifique nuevamente la nivelación.
4. Abra ambos cajones menos de la mitad. Coloque el nivel en el reborde lateral al lado de los cajones, como se muestra. Gire juntos los pernos niveladores frontales para poder elevar o bajar el aparato hasta que los lados de los cajones refrigerados estén a plomo.



A. Verifique que esté nivelado de adelante hacia atrás.

5. Quite el nivel y cierre los cajones. Vuelva a verificar el espacio entre la parte superior del cajón y el mostrador. Si el espacio mide menos de  $\frac{3}{8}$ " (9,5 mm), gire los cuatro pernos niveladores en forma pareja para subir las patas niveladoras (esto bajará el aparato). Verifique el nivel nuevamente.

**NOTA:** Asegúrese de volver a revisar la nivelación horizontal del cajón superior.

6. Verifique que los cuatro pernos niveladores están sobre el piso y que sostienen todo el peso de los cajones refrigerados.

## Cómo instalar el panel recubierto a la medida

### IMPORTANTE:

- Cree un panel recubierto a la medida de acuerdo con las especificaciones en la sección “Paneles de los cajones recubiertos a la medida”.
- Jenn-Air no es responsable de la remoción o adición de molduras o paneles decorativos que pudieran impedir el acceso al refrigerador para darle servicio.

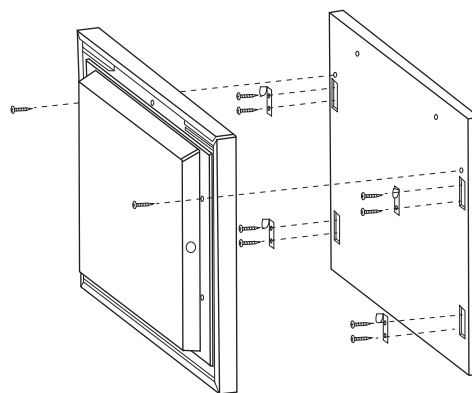
### Cómo fijar el panel recubierto

**NOTA:** Si los ganchos recubiertos no están instalados, consulte “Paneles de los cajones recubiertos a la medida” para ver las ubicaciones de los ganchos recubiertos. La ubicación de los ganchos debe ser tan precisa como sea posible. Si el panel a la medida no está colocado correctamente, el panel puede interferir con el uso óptimo de los cajones.

1. Fije la manija a la medida de su preferencia al revestimiento antes de fijar el revestimiento al cajón refrigerador.

**NOTA:** El tamaño de las manijas a la medida puede variar. Los orificios deben hacerse en el panel de acuerdo con las medidas específicas de su manija.

2. Fije los ganchos a las recesiones correspondientes del panel, usando los tornillos planos M4x12 de acero inoxidable. Deberá usar dos tornillos por cada gancho. Los ganchos deben estar en el borde exterior del panel.



3. Jale suavemente hacia atrás la junta de las esquinas superiores de la puerta hasta que pueda ver el tornillo que se encuentra detrás de la junta. Hay un tornillo de cada lado. No es necesario quitar la junta.
4. Quite los tornillos que se encuentran detrás de la junta (uno por lado).
5. Alinee el panel con el cajón y coloque el panel recubierto  $\frac{1}{2}$ " (1,27 cm) más arriba que la puerta. Coloque los ganchos recubiertos con los orificios guía y empuje los ganchos hacia dentro de los orificios. El cajón contiene espuma aislante en su interior de modo que usted podría sentir un poco de interferencia al empujar. Empuje hasta que los ganchos atraviesen la espuma.

6. Empuje el panel recubierto directamente hacia abajo para asegurar los ganchos recubiertos a la puerta.
  7. Con los tornillos para madera autorroscantes (dos por cajón; uno en cada esquina de los cajones), fije el panel al cajón.
- NOTA:** No vuelva a colocar en la puerta los tornillos que quitó en el paso 4.
8. Una vez que el recubrimiento se fijó con firmeza al cajón usando los dos tornillos, vuelva a colocar la junta en su lugar presionándola contra la puerta hasta que la junta quede pareja y firmemente ajustada.

## Complete la instalación

1. Quite todas las cajas, paquetes de piezas y materiales de empaque del interior de los cajones refrigerados.
2. Quite la película protectora.
3. Limpie los cajones refrigerados antes de usarlos.
4. Los controles se preestablecen en la fábrica a los ajustes recomendados. Verifique que el compresor está funcionando correctamente y que todas las luces funcionan.
5. Si se sigue construyendo después de haber instalado los cajones refrigerados, apague ambos cajones.

Para obtener un uso más eficiente de sus nuevos cajones refrigerados, lea la sección "Uso de los cajones refrigerados".

## USO DE LOS CAJONES REFRIGERADOS

### Sonidos normales

Sus nuevos cajones refrigerados pueden hacer ruidos que sus viejos cajones refrigerados no hacían. Como estos sonidos son nuevos para Ud., puede ser que se preocupe. La mayoría de los sonidos nuevos son normales. Las superficies duras tales como el piso, paredes y armarios pueden hacer que los sonidos parezcan más fuertes. A continuación se describen los tipos de sonidos y qué puede causarlos.

- Sus cajones refrigerados están diseñados para funcionar con más eficiencia, y así conservar sus alimentos a la temperatura deseada y reducir al mínimo el uso de energía. El compresor y los ventiladores de alta eficiencia pueden causar que sus nuevos cajones refrigerados funcionen por períodos de tiempo más largos que sus cajones refrigerados viejos. También puede escuchar un sonido pulsante o agudo cuando el compresor o los ventiladores se ajustan para un funcionamiento óptimo.
- Puede ser que Ud. escuche el motor del ventilador del evaporador circulando el aire a través de los cajones refrigerados. La velocidad del ventilador puede aumentar cuando se abren los cajones o se agregan alimentos tibios.
- Al final de cada ciclo, Ud. puede escuchar un gorgoteo debido al líquido refrigerante que corre a través de la tubería del sistema sellado.
- La contracción y expansión de las paredes internas pueden causar un ligero estallido.
- Ud. puede escuchar aire forzado por el ventilador del condensador sobre el condensador.
- Ud. puede escuchar agua corriendo hacia la bandeja recolectora durante el ciclo de apagado (Off).

## Cómo asegurar la debida circulación de aire

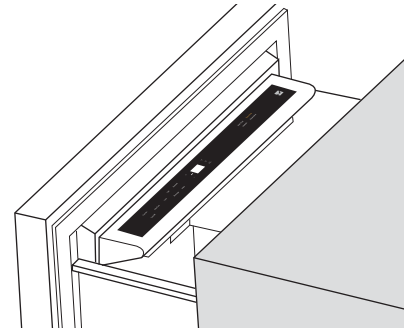
Para asegurarse las temperaturas adecuadas, es necesario permitir que el aire circule dentro de los cajones.

No bloquee ninguno de los orificios de ventilación. Si los orificios de ventilación están bloqueados, se obstruirá el flujo del aire y esto puede dar lugar a problemas de temperatura y humedad.

**IMPORTANTE:** Para evitar la transferencia de olores y la deshidratación de los alimentos, envuelva o tape bien los alimentos.

## Uso de los controles

Los paneles de control para ambos modelos de dos cajones están ubicados en el cajón superior. Para ver y ajustar el panel de control superior e inferior, jale hacia fuera el cajón superior.

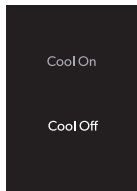


### IMPORTANTE:

- Espere 24 horas después de encender los cajones refrigeradores antes de colocar alimentos en los mismos. Si agrega alimentos antes de que los cajones se hayan enfriado por completo, sus alimentos podrían echarse a perder.
- NOTA:** El hecho de colocar los controles en un ajuste más bajo (más frío) en uno o ambos cajones no los enfriará más rápido.
- Si la temperatura está demasiado caliente o demasiado fría en los cajones, antes de regular los controles, revise primero los orificios de ventilación para cerciorarse de que no estén obstruidos.
  - Los ajustes prefijados deben ser los correctos para un uso doméstico normal. El control del refrigerador está fijado correctamente cuando la leche o el jugo están tan fríos como a usted le gusta.
  - El control del congelador está fijado correctamente cuando el helado tiene una consistencia firme.
  - Cuando un cajón permanece abierto por un período prolongado, la temperatura real puede ser diferente de la que se muestra en la pantalla.

## Cómo encender/apagar los cajones

- Cuando los cajones se enchufan por primera vez, el control estará en modo Cool Off (Enfriamiento apagado). Cool On (Enfriamiento encendido) y Cool Off (Enfriamiento apagado) serán las únicas opciones que se mostrarán en la pantalla.



- Presione COOL ON (Enfriamiento encendido) durante 3 segundos para encender los cajones. Se mostrarán todos los menús y los ajustes de temperatura recomendados.



Estilo 1: Modelos de cajones refrigeradores

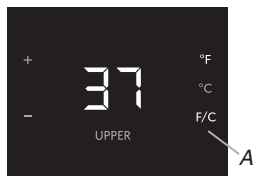


Estilo 2: Modelos de conjunto refrigerador/congelador

- Las teclas táctiles de preajuste y temperatura que se encuentran a la izquierda controlan la temperatura del compartimiento superior.
- Las teclas táctiles de preajuste y temperatura que se encuentran a la derecha controlan la temperatura del compartimiento inferior.

## Para ver las temperaturas en grados Celsius

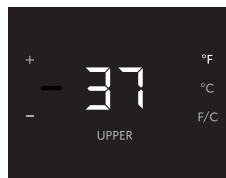
- Presione la tecla táctil F/C para alternar entre la vista de la temperatura en grados Fahrenheit y grados Celsius. El indicador correspondiente se iluminará.



A. Tecla táctil F/C

## Cómo fijar las temperaturas recomendadas

Cuando el refrigerador se enciende por primera vez, la temperatura recomendada está prefijada de fábrica. Los controles ajustan la temperatura para ambos compartimientos en forma independiente.



- Para ajustar temperaturas de punto de ajuste, presione "+" (más) o "-" (menos) hasta alcanzar el ajuste de temperatura deseado.

## Modelo JUD24FR\*

**NOTA:** El punto de ajuste para el modelo con dos cajones refrigeradores es de 37 °F (2 °C). El rango del punto de ajuste para este modelo es de 32 °F a 42 °F (0 °C a 5 °C) para ambos compartimientos.

## Modelo JUD24FC\*

**NOTA:** El punto de ajuste para el modelo de cajones refrigerador/congelador es de 37 °F (2 °C) para el cajón refrigerador y de 0 °F (-17 °C) para el cajón congelador. El rango del punto de ajuste para el modelo de cajones refrigerador/congelador es de 32 °F a 42 °F (0 °C a 5 °C) para el cajón refrigerador y de -8 °F a 6 °F (-22 °C a -14 °C) para el cajón congelador.

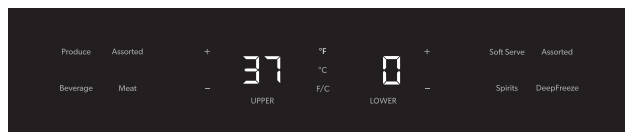
**NOTA:** Espere al menos 24 horas entre los ajustes para que el producto se aclimate.

## Cómo usar los valores prefijados

Para su comodidad, cada cajón posee controles prefijados a temperaturas de almacenamiento recomendadas para productos específicos.



Estilo 1: Modelos de cajones refrigeradores



Estilo 2: Modelos de conjunto refrigerador/congelador

Al presionar cualquier opción prefijada, la temperatura se fijará en la recomendada para cada categoría:

### Cajones refrigeradores

- Produce (Producto): 39 °F (3 °C)
- Assorted (Surtido): 37 °F (2 °C)
- Beverage (Bebidas): 34 °F (1 °C)
- Meat (Carnes): 32 °F (0 °C)

### Cajón congelador

- Soft Serve (Servir blando): 6 °F (-14 °C)

**NOTA:** Soft Serve (Servir blando) es una temperatura temporaria que durará solo 4 horas y luego la temperatura volverá al punto de ajuste una vez completada la función.

- Assorted (Surtido): 0 °F (-17 °C)
- Spirits (Bebidas alcohólicas de alta graduación): -2 °F (-18 °C)
- Deep Freeze (Congelamiento rápido): -8 °F (-22 °C)

## Max Cool (Frío máximo)

La función de Max Cool (Frío máximo) ayuda en los períodos de alto uso, cargas completas de comestibles o temperaturas ambientales temporalmente calientes.



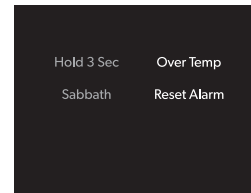
Max Cool (Frío máximo) volverá a ajustar la temperatura del cajón refrigerador en 32 °F (0 °C) y -3 °F (-19 °C) para el cajón congelador por un período de 24 horas.

- Presione MAX COOL (Frío máximo) para activar la función de frío máximo.

**NOTA:** La pantalla de temperatura permanecerá a -3 °F (-19 °C) y la luz indicadora permanecerá encendida durante 24 horas, salvo que suceda alguna de las siguientes circunstancias:

- El usuario ajusta la temperatura de cualquiera de los compartimientos
- Se ingresa al modo Cool Off (Enfriamiento apagado) (activado por el usuario)
- Se ingresa a Sabbath Mode (Modo de descanso) (activado por el usuario)
- Después de 24 horas, la temperatura volverá automáticamente al punto de ajuste de temperatura anterior y la luz indicadora se apagará.

**NOTA:** Si el punto de ajuste de temperatura anterior estaba fijado en Soft Serve (Servir blando) en el cajón congelador, la temperatura volverá a la temperatura recomendada (0 °F/-17 °C) cuando se complete Max Cool (Frío máximo).

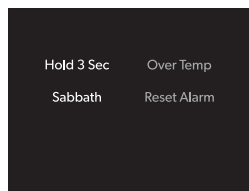


Si luego de restablecer la Temperatura excesiva, la condición que causa el exceso de temperatura persiste, la luz indicadora continuará reactivándose cada 4 horas, hasta que las temperaturas del refrigerador y del congelador estén por debajo de los 45 °F (7 °C) y 15 °F (-9 °C) respectivamente.

**NOTA:** Estas funciones no aparecerán en el control, salvo que el refrigerador tenga una temperatura excesiva y la alarma deba restablecerse.

## Modo de descanso

La característica de Sabbath Mode (Modo de descanso) se ha diseñado para los viajeros o para aquellas personas que debido a sus creencias religiosas necesitan que se apaguen las luces. Al seleccionar esta función, los puntos de ajuste de temperatura permanecerán sin cambios, pero las luces del panel de control, las luces interiores y el sonido de control se apagarán. Para que los cajones refrigeradores funcionen de modo eficaz, se recomienda que salga de Sabbath Mode (Modo de descanso) cuando ya no lo necesite.



- Mantenga presionado SABBATH (Descanso) por 3 segundos para encender la función. Luego de la cuenta regresiva de 3 segundos, la función se activará y el resto de las pantallas se apagarán.
- Mantenga presionado SABBATH (Descanso) por 3 segundos para apagar la función y encender la pantalla.

## Cajón abierto

Si se abre cualquiera de los cajones por más de 5 minutos, sonará una alarma cada 2 minutos hasta que los cajones se cierren o se presione cualquiera de los controles.

## Alarma de temperatura excesiva

**NOTA:** Si se activa la alarma de Over Temp (Temperatura excesiva), es posible que los alimentos se echen a perder. Vea "Cortes de corriente". Reduzca al mínimo las veces que abre los cajones hasta que las temperaturas vuelvan a la normalidad.

La función Temperatura excesiva ha sido diseñada para avisarle cuando la temperatura del cajón refrigerador sobrepasa los 45 °F (7 °C) o la temperatura del cajón congelador sobrepasa los 6 °F (-14 °C) por más de 4 horas. La alarma sonora se apagará automáticamente cuando la temperatura vuelva a la normalidad. Para hacerle saber que ha ocurrido una condición de Temperatura excesiva, la luz indicadora continuará destellando hasta que se presione la tecla táctil Reset Alarm (Restablecer alarma).

## Modo de sala de exposición

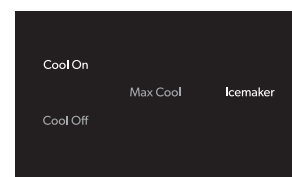
Este modo se usa solamente cuando el refrigerador está de muestra en una tienda minorista. Si usted enciende el modo Showroom (Sala de exposición) por accidente, Cool Off (Enfriamiento apagado) se encenderá en la pantalla y los controles parecerán estar funcionando. Salga del modo Showroom (Sala de exposición) manteniendo presionado COOL ON (Enfriamiento encendido) y SABBATH (Descanso) al mismo tiempo durante 3 segundos.

## Fábrica de hielo y sistema de filtración de agua (Solo cajones refrigerador/congelador )

**IMPORTANTE:** Después de conectar el refrigerador a un suministro de agua o de reemplazar el filtro de agua, llene y deseche tres recipientes llenos de hielo para preparar el filtro de agua para su uso, antes de utilizar el hielo.

## Encendido y apagado de la fábrica de hielo

**IMPORTANTE:** Use la tecla táctil Icemaker (Fábrica de hielo) en el panel de control para encender o apagar la fábrica de hielo. No ajuste el brazo de alambre ubicado en la fábrica de hielo.



- Presione la tecla táctil ICEMAKER (Fábrica de hielo) para encender la fábrica de hielo. El indicador se iluminará cuando esté encendido.
- Presione la tecla táctil ICEMAKER (Fábrica de hielo) para apagar la fábrica de hielo.

## RECUERDE:

- Deje transcurrir 24 horas para la producción del primer lote de hielo.
- La calidad del hielo dependerá de la calidad del agua que suministre a su fábrica de hielo.
- Evite la conexión de la fábrica de hielo a un suministro de agua blanda. Las sustancias químicas utilizadas para ablandar el agua (como la sal) pueden dañar ciertos componentes de la fábrica de hielo y producir un hielo de muy baja calidad. Si no se puede evitar el uso de un suministro de agua blanda, asegúrese de que el ablandador de agua esté funcionando correctamente y que goce de un buen mantenimiento.
- No guarde nada dentro del depósito de hielo.

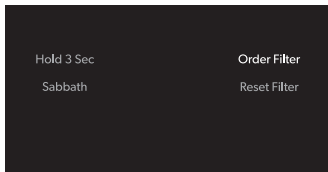


## Sistema de filtración de agua

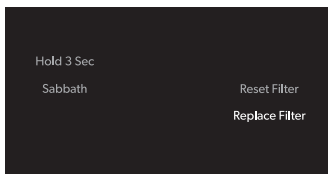
No use con agua que no sea microbiológicamente segura o que sea de calidad desconocida sin desinfectarla adecuadamente antes o después del sistema.

## Indicador del filtro de agua/Reajuste del filtro

El indicador del filtro de agua le señalará cuándo debe cambiar el filtro de agua. El indicador cambiará de color oscuro a amarillo cuando sea el momento de solicitar un nuevo filtro.



Luego cambiará de amarillo a rojo cuando sea tiempo de reemplazar el filtro de agua.



El filtro de agua desechable deberá reemplazarse por lo menos cada 6 meses. Después de cambiar el filtro de agua, reajuste el indicador del filtro de agua.

- Mantenga presionado FILTER RESET (Reposición del filtro) por 3 segundos. La luz indicadora se apagará.

**NOTA:** Estas funciones no aparecerán en el control, salvo que necesite solicitar o reemplazar el filtro.

## Cómo cambiar el filtro de agua

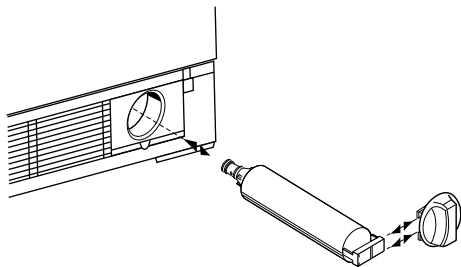
El filtro de agua está ubicado a través de la rejilla de la base. Usted no tiene que quitar la rejilla de la base para cambiar el filtro de agua.

1. Localice la tapa del filtro de agua en la rejilla de la base frontal. Gire la tapa en sentido contrario a las agujas del reloj hasta la posición vertical y jale la tapa y el filtro de agua hasta sacarlos por la rejilla de la base.

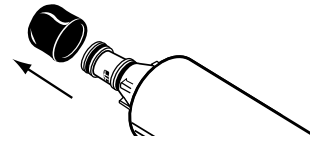
**NOTA:** Siempre queda agua en el filtro. Es posible que se derrame un poco de esa agua.

2. Quite la tapa del filtro deslizándola del extremo del filtro viejo. La tapa se deslizará a la izquierda o a la derecha.

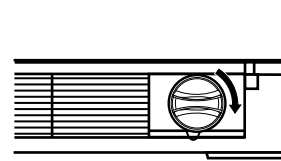
**IMPORTANTE:** No deseche la tapa. Es parte de su refrigerador. Guarde la tapa para usarla con el filtro de reemplazo.



3. Saque el nuevo filtro de agua de su empaque y quite la cubierta de las juntas tóricas.



4. Deslice la tapa del filtro sobre el nuevo filtro de agua. Vea la ilustración en el Paso 2.
5. Con la tapa del filtro en la posición vertical, inserte el filtro nuevo en la rejilla de la base hasta que se detenga. Gire la tapa del cartucho en el sentido de las agujas del reloj hasta la posición horizontal.



## Uso de la fábrica de hielo sin el filtro de agua

Puede hacer funcionar la fábrica de hielo sin un filtro de agua. El agua no estará filtrada.

1. Deslice la tapa del filtro para quitarla del extremo del filtro de agua. Con la tapa del filtro en la posición horizontal, inserte la tapa en la rejilla de la base hasta que se detenga.

**IMPORTANTE:** No deseche la tapa. Es parte de su refrigerador. Guarde la tapa para usarla con un filtro de reemplazo.

## CUIDADO DE LOS CAJONES REFRIGERADOS

### Limpieza

## ⚠️ ADVERTENCIA



### Peligro de Explosión

Use un limpiador no inflamable.

No seguir esta instrucción puede ocasionar la muerte, explosión o incendio.

Los cajones se descongelan automáticamente. No obstante, limpie ambos cajones más o menos una vez al mes para evitar la acumulación de olores. Limpie los derrames de inmediato.

### Para limpiar sus cajones refrigerados:

1. Lave a mano, enjuague y seque las superficies interiores meticulosamente. Use una esponja limpia o un paño liso y un detergente suave en agua tibia.
  - No use productos de limpieza abrasivos o ásperos, como aerosoles para ventanas, productos de limpieza para pulir, líquidos inflamables, ceras para limpieza, detergentes concentrados, blanqueadores o productos de limpieza que contengan productos de petróleo en las partes de plástico, revestimientos interiores y de los cajones o juntas. No use toallas de papel, estropajos para fregar u otros utensilios de limpieza ásperos. Estos pueden rayar o dañar los materiales.

# SOLUCIÓN DE PROBLEMAS

**Primero pruebe las soluciones sugeridas aquí para evitar el costo innecesario del servicio técnico.**

## Sus cajones refrigeradores no funcionan

### **⚠ ADVERTENCIA**



#### **Peligro de Choque Eléctrico**

**Conecte a un contacto de pared de conexión a tierra de 3 terminales.**

**No quite la terminal de conexión a tierra.**

**No use un adaptador.**

**No use un cable eléctrico de extensión.**

**No seguir estas instrucciones puede ocasionar la muerte, incendio o choque eléctrico.**

- **¿Está desconectado el cable eléctrico?** Conecte a un contacto de pared de 3 terminales con conexión a tierra.
- **¿Hay un fusible de la casa fundido o se disparó el cortacircuitos?** Reemplace el fusible o reinicie el cortacircuitos. Si el problema continúa, llame a un electricista.
- **¿Se fijó el control del refrigerador en el ajuste Cool Off (Enfriamiento apagado)?** Vea "Uso de los controles".
- **¿No están enfriando los cajones refrigeradores?** Apáguelos y luego enciéndalos nuevamente para reajustarlos. Vea "Uso de los controles". Si esto no corrige el problema, llame al servicio técnico.

## El motor parece funcionar en exceso

- **¿Está la temperatura ambiente más caliente de lo normal?** En condiciones de calor, el motor funciona por períodos más largos. Cuando la temperatura ambiente es normal, el motor funciona el 80 % del tiempo. Si la habitación está más caliente, puede funcionar por más tiempo.
- **¿Se acaba de agregar una gran cantidad de alimentos a los cajones refrigeradores?** Agregar grandes cantidades de alimentos hace que se calienten los cajones refrigeradores. Es normal que el motor funcione por períodos más prolongados para volver a enfriar los cajones refrigeradores.
- **¿Se abren los cajones con frecuencia?** Cuando esto ocurre, el motor puede funcionar por períodos más largos. Para ahorrar energía, saque todo los artículos que necesita de una sola vez, mantenga los alimentos organizados y cierre el cajón inmediatamente después de sacarlos.
- **¿No se han ajustado los controles correctamente para las condiciones circundantes?** Vea "Uso de los controles".
- **¿No están los cajones completamente cerrados?** Cierre los cajones con firmeza. Si no cierran completamente, vea "Los cajones no cierran completamente" más adelante en esta sección.
- **¿No están selladas por completo las juntas de los cajones?** Póngase en contacto con una persona calificada o un técnico.

- Para ayudar a eliminar olores, puede lavar las paredes interiores con una mezcla de agua tibia y bicarbonato de sodio (2 cucharadas en un cuarto de galón [26 g en 0,95 L] de agua).

2. Lave las superficies externas metálicas pintadas y de acero inoxidable con una esponja limpia o un paño suave y detergente delicado con agua tibia. No use productos de limpieza abrasivos o ásperos. Seque meticulosamente con un paño suave. Para evitar daños a las superficies exteriores metálicas pintadas, aplique cera para electrodomésticos (o cera en pasta para autos) con un paño limpio y suave. No encere las partes de plástico.

**NOTA:** Para mantener como nuevos sus cajones refrigerados de acero inoxidable y para quitar marcas o rayaduras pequeñas, se sugiere usar un limpiador de acero inoxidable aprobado por el fabricante. Para ordenar el limpiador, vea "Accesorios".

**IMPORTANTE:** ¡Este limpiador es solamente para partes de acero inoxidable!

No permita que el limpiador para acero inoxidable entre en contacto con ninguna parte de plástico tales como las piezas decorativas o las empaquetaduras de los cajones. Si se produce contacto accidental, limpie la pieza de plástico con una esponja y detergente suave en agua tibia. Seque meticulosamente con un paño suave.

## Cortes de corriente

Si no va a haber electricidad por 24 horas o menos, mantenga los dos cajones refrigerados cerrados para que los alimentos se mantengan fríos.

Si el corte de electricidad va a durar más de 24 horas, haga algo de lo siguiente:

- Ponga todos los alimentos perecederos en una conservadora de alimentos o en un enfriador con hielo seco.
- Si no tiene conservadora de alimentos ni enfriador, consuma los alimentos si aún están fríos o deshágase de los alimentos perecederos de inmediato.

## Cuidado durante las vacaciones

Los cajones refrigeradores cuentan con la función Sabbath Mode (Modo de descanso). Al seleccionar esta función, los puntos fijos de temperatura permanecerán sin cambios, pero el panel de control y las luces interiores se apagarán. Para que los cajones refrigeradores funcionen de modo eficaz, se recomienda que salga de Sabbath Mode (Modo de descanso) cuando ya no lo necesite.

**Si usted decide dejar los cajones refrigeradores funcionando mientras está ausente:**

1. Use todos los artículos perecederos y congele el resto.
2. Mantenga presionado SABBATH (Descanso) por 3 segundos. Después de la cuenta regresiva, la pantalla y las luces se apagarán, pero el refrigerador continuará con su funcionamiento normal.
3. Cuando usted vuelva de sus vacaciones, mantenga presionado SABBATH (Descanso) por 3 segundos para volver al funcionamiento normal.

**Si usted decide apagar los cajones refrigeradores antes de irse:**

1. Saque todos los alimentos de los cajones refrigeradores.
2. Apague el panel de control para los cajones superior e inferior. Vea "Uso de los controles".
3. Limpie los cajones refrigeradores, páseles un trapo y séquelos bien.
4. Fije bloques de goma o de madera con cinta adhesiva en la parte superior de ambos cajones para que queden abiertos y el aire circule. Esto evita la formación de olores y hongos.

---

## Los cajones refrigeradores parecen hacer mucho ruido

---

Los sonidos pueden ser normales para sus cajones refrigeradores. Vea “Sonidos normales”.

---

## El divisor entre los dos compartimientos está caliente

---

Probablemente el calor se debe al funcionamiento normal del control automático de humedad exterior. Si sigue teniendo problemas, solicite servicio técnico.

---

## La temperatura está demasiado elevada

---

- **¿Están bloqueados los orificios de ventilación en cualquiera de los compartimientos?** Esto obstruye el movimiento de aire frío entre los compartimientos. Quite todos los objetos que bloquean los orificios de ventilación. Vea la ubicación de los orificios de ventilación en “Cómo asegurar la debida circulación del aire”.
- **¿Se abren los cajones con frecuencia?** Los cajones refrigeradores se calientan cuando esto ocurre. Para mantener los cajones refrigeradores fríos, saque todo lo que necesite de una sola vez, mantenga los alimentos organizados y cierre la puerta inmediatamente después de sacarlos.
- **¿Se acaba de agregar una gran cantidad de alimentos a los cajones refrigeradores?** Agregar grandes cantidades de alimentos hace que se calienten los cajones refrigeradores. Pueden transcurrir varias horas hasta que los cajones refrigeradores recuperen su temperatura normal.
- **¿Se han ajustado los controles correctamente para las condiciones circundantes?** Vea “Uso de los controles”.
- **¿No están enfriando los cajones refrigeradores?** Apáguelos y luego enciéndalos nuevamente para reajustarlos. Vea “Uso de los controles”. Si esto no corrige el problema, llame al servicio técnico.

---

## Hay acumulación de humedad en el interior

---

- **¿Están bloqueados los orificios de ventilación en los cajones refrigeradores?** Quite todos los objetos que bloquean los orificios de ventilación. Vea la ubicación de los orificios de ventilación en “Cómo asegurar la debida circulación del aire”.
- **¿Se abren los cajones con frecuencia?** Para evitar la acumulación de humedad, saque todo los artículos que necesita de una sola vez, mantenga los alimentos organizados y cierre la puerta inmediatamente después de sacarlos.
- **¿Está húmeda la habitación?** Es normal que se acumule humedad dentro de los cajones refrigeradores cuando el aire de la habitación está húmedo.
- **¿Se han envuelto correctamente los alimentos?** Verifique que todos los alimentos estén bien envueltos. Seque los envases de alimentos que estén húmedos antes de colocarlos en los cajones refrigeradores.
- **¿Se han ajustado los controles correctamente para las condiciones circundantes?** Vea “Uso de los controles”.

---

## Los cajones no cierran completamente

---

- **¿Hay paquetes de comida que impiden que se abra el cajón?** Ordene los recipientes de manera que queden más juntos y ocupen menos espacio.

---

## Es difícil abrir los cajones

---

### **ADVERTENCIA**



#### **Peligro de Explosión**

**Use un limpiador no inflamable.**

**No seguir esta instrucción puede ocasionar la muerte, explosión o incendio.**

- **¿Están las juntas sucias o pegajosas?** Limpie las juntas y las superficies que estas toquen. Frote una capa delgada de cera de parafina sobre las juntas después de la limpieza.



---

# AYUDA O SERVICIO TÉCNICO

---

Antes de solicitar ayuda o servicio técnico, por favor consulte la sección "Solución de problemas". Esto le podría ahorrar el costo de una visita de servicio técnico. Si considera que aún necesita ayuda, siga las instrucciones que aparecen a continuación.

Cuando llame, tenga a mano la fecha de compra y el número completo del modelo y de la serie de su electrodoméstico. Esta información nos ayudará a atender mejor a su pedido.

## Si necesita piezas de repuesto

Si necesita pedir refacciones, recomendamos que use únicamente piezas de repuesto especificadas de fábrica. Las piezas de repuesto especificadas de fábrica encajarán bien y funcionarán bien ya que están confeccionadas con la misma precisión empleada en la fabricación de cada electrodoméstico nuevo de Jenn-Air®.

Para encontrar piezas de repuesto especificadas de fábrica en su localidad, llámenos o llame al centro de servicio designado más cercano a su localidad.

---

## En los EE.UU.

Llame al centro para la eXperiencia del cliente de Jenn-Air sin costo alguno al: **1-800-JENNAIR (1-800-536-6247)**.

### Nuestros consultores ofrecen ayuda para:

- Características y especificaciones de nuestra línea completa de electrodomésticos.
- Información sobre la instalación.
- Procedimiento para el uso y mantenimiento.
- Venta de accesorios y partes para reparación.
- Asistencia especializada para el consumidor (habla hispana, problemas de audición, visión limitada, etc.).
- Recomendaciones con distribuidores locales, compañías que dan servicio y distribuidores de partes para reparación. Los técnicos de servicio designados por Jenn-Air están entrenados para cumplir con la garantía del producto y ofrecer servicio una vez que la garantía termine, en cualquier lugar de los Estados Unidos.

Para localizar a una compañía de servicio designada por Jenn-Air en su área, también puede consultar la sección amarilla de su guía telefónica.

### Para obtener asistencia adicional

Si necesita asistencia adicional, puede escribir a Jenn-Air con sus preguntas o dudas a:

Jenn-Air Brand Home Appliances  
Centro para la eXperiencia del cliente  
553 Benson Road  
Benton Harbor, MI 49022-2692

Por favor incluya en su correspondencia un número de teléfono en el que se le pueda localizar durante el día.

---

## En Canadá

Llame al Centro para la eXperiencia del Cliente de Jenn-Air en Canadá sin costo alguno al: **1-800-JENNAIR (1-800-536-6247)**.

### Nuestros consultores ofrecen ayuda para:

- Características y especificaciones de nuestra línea completa de electrodomésticos.
- Procedimiento para el uso y mantenimiento.
- Venta de accesorios y partes para reparación.
- Recomendaciones con distribuidores locales, compañías que dan servicio y distribuidores de partes para reparación. Los técnicos de servicio designados por Jenn-Air Canada están entrenados para cumplir con la garantía del producto y ofrecer servicio una vez que la garantía termine, en cualquier lugar de Canadá.

### Para obtener asistencia adicional

Si necesita asistencia adicional, puede escribir a Jenn-Air Canada con sus preguntas o dudas a:

Jenn-Air Brand Home Appliances  
Customer eXperience Centre  
200 – 6750 Century Ave.  
Mississauga, Ontario L5N 0B7

Por favor incluya en su correspondencia un número de teléfono en el que se le pueda localizar durante el día.

---

## Accesorios

Para pedir accesorios, llame al **1-800-JENNAIR (1-800-536-6247)** y solicite el número de pieza apropiado que se detalla a continuación o póngase en contacto con su distribuidor autorizado de Jenn-Air.

### Filtro del reemplazo:

Pida la pieza N° 4396701

### Limpiador para cocina y electrodomésticos affresh®:

En los EE.-U.U., pida la pieza N° W10355010

En Canadá, pida la pieza N° W10355010B

### Limpiador de acero inoxidable affresh®:

En los EE.-U.U., pida la pieza N° W10355016

En Canadá, pida la pieza N° W10355016B

# HOJA DE DATOS DEL PRODUCTO

## Sistema de filtración de agua de la rejilla de la base Modelo WF-L200V Capacidad de 200 galones (757 litros) Modelo WF-NL120V Capacidad de 120 galones (454 litros)



Comprobado y certificado por NSF International, según la norma 42 ANSI/NSF para reducción de cloro, sabor y olor, Clase de partículas III\*; y bajo la norma 53 ANSI/NSF para la reducción de plomo, mercurio, benceno, y paradiclorobenceno.

Este sistema ha sido probado según la norma ANSI/NSF 42/53 para la reducción de las sustancias citadas a continuación. La concentración de las sustancias indicadas en agua entrando al sistema fue reducida a una concentración menor o igual al límite permitido para agua saliendo del sistema, tal como se especifica en la norma ANSI/NSF 42/53.

Reducción de sustancias Efectos estéticos	Requisitos de reducción de NSF	Promedio influente	Concentración en el agua a tratar	Máximo efluente	Promedio efluente	% Mínimo reducción	% Promedio reducción
Cloro, sabor/olor Clase de partículas III*	≥50% ≥85%	1,9 mg/L 49.333/mL	2,0 mg/L ± 10% Por lo menos 10.000 partículas/mL	0,07 mg/L 640 mg/L**	0,06 mg/L 312 mg/L	>75,0% 98,7%	>75,0% 99,0%

Reducción de contaminantes	Requisitos de reducción de NSF	Promedio influente	Concentración en el agua a tratar	Máximo efluente	Promedio efluente	% Mínimo reducción	% Promedio reducción
Plomo: @ pH 6,5 Plomo: @ pH 8,5	0,01mg/L 0,01mg/L	0,14 mg/L*** 0,15 mg/L***	0,15 mg/L ± 10% 0,15 mg/L ± 10%	0,0014 mg/L 0,0069 mg/L	0,0011 mg/L 0,0042 mg/L	99,0% 95,4%	99,21% 97,08%
Mercurio: @ pH 6,5 Mercurio: @ pH 8,5	0,002 mg/L 0,002 mg/L	0,0059 mg/L 0,0054 mg/L	0,006 mg/L ± 10% 0,006 mg/L ± 10%	0,0009 mg/L 0,0007 mg/L	0,0004 mg/L 0,00043 mg/L	84,74% 87,03%	92,47% 91,93%
Benceno	0,0050 mg/L	0,0157 mg/L	0,015 ± 10%	0,002 mg/L	0,00083 mg/L	87,26%	94,71%
Paradiclorobenceno	0,075 mg/L	0,210 mg/L	0,225 ± 10%	0,0005 mg/L	0,0005 mg/L	99,76%	99,76%

Parámetros de la prueba: pH = 7,5 ± 0,5 si no se indica lo contrario. Flujo = 0,5 gpm (1,9 Lpm). Presión = 60 lbs/pulg.<sup>2</sup> (413,7 kPa) Temp. = 63°F (17,2°C).

- Es esencial que los requerimientos de operación, mantenimiento y reemplazo del filtro se lleven a cabo para que este producto se desempeñe tal como se ofrece en la publicidad.
- **Modelo WF-L200V:** El sistema de control del filtro mide la cantidad de agua que pasa a través del filtro y le avisa que debe reemplazarlo. Cuando se ha usado el 90% de la duración nominal del filtro, la luz indicadora del filtro cambia de verde a amarillo. Cuando se ha usado el 100% de la duración nominal del filtro, la luz indicadora del filtro cambia de amarillo a rojo y se le recomienda reemplazar el filtro. Use el cartucho de repuesto L200V/NL120V, pieza No. 4396702. El precio sugerido de venta al por menor durante el año 2014 es de \$32,99 EE.UU./\$49,99 Canadá. Precios sujetos a cambio sin previo aviso.

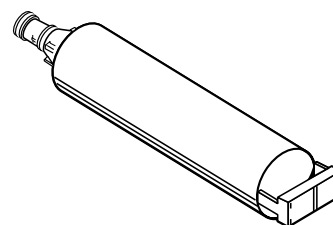
**Modelo WF-NL120V:** Cambie el cartucho del filtro de agua cada 6 a 9 meses. Use el cartucho de repuesto L200V/NL120V, pieza No. 4396702. El precio sugerido de venta al por menor durante el año 2014 es de \$32,99 EE.UU./\$49,99 Canadá. Precios sujetos a cambio sin previo aviso.

- El producto es para uso con agua fría únicamente.
- No use con agua que no sea microbiológicamente segura o que sea de calidad desconocida sin desinfectarla adecuadamente antes o después del sistema.
- Favor de ver la portada o la sección "Accesorios" para obtener el nombre, dirección y número telefónico del fabricante.

- Favor de ver la sección "Garantía" para verificar la garantía limitada del fabricante.

### Pautas de aplicación/Parámetros para el suministro de agua

Suministro de agua	Municipal o de pozo
Presión del agua	30 - 120 lbs/pulg. <sup>2</sup> (207 - 827 kPa)
Temperatura del agua	33° - 100°F (0,6° - 37,8° C)
Flujo nominal de servicio	0,5 gpm (1,89 L/min.) @ 60 lbs/pulg. <sup>2</sup>



\*Tamaño de las partículas clase III: >0,5 a <15 um

\*\*El requisito de prueba es de cuando menos 10.000 partículas/mL de Polvo Fino de prueba AC.

\*\*\*Estos contaminantes no se encuentran necesariamente en su suministro de agua. El desempeño puede variar dependiendo de las condiciones del agua local.

# GARANTÍA LIMITADA DE REFRIGERACIÓN JENN-AIR®

ADJUNTE SU RECIBO AQUÍ. SE REQUIERE LA PRUEBA DE COMPRA PARA OBTENER SERVICIO BAJO LA GARANTÍA.

Tenga a mano la siguiente información cuando llame al Centro para la eXperiencia del cliente:

- Nombre, dirección y número de teléfono
- Número de modelo y de serie
- Una descripción clara y detallada del problema
- Prueba de compra incluido el nombre y la dirección del distribuidor o vendedor

## SI NECESITA SERVICIO TÉCNICO:

1. Antes de contactarnos para obtener servicio, determine si el producto requiere reparación. Algunas consultas pueden atenderse sin servicio técnico. Tómese unos minutos para revisar la sección de Solución de problemas o Problemas y soluciones del Manual de uso y cuidado, escanee el código QR que se encuentra a la derecha para acceder a los recursos adicionales o visite <https://jennair.custhelp.com>.
2. Todos los servicios bajo la garantía los brindan exclusivamente Prestadores autorizados de servicio de Jenn-Air. Para EE.UU. y Canadá, dirija todas las solicitudes de servicio bajo la garantía a:

**Centro para la eXperiencia del cliente de Jenn-Air**  
**1-800-JENNAIR (1-800-536-6247)**



<https://jennair.custhelp.com>

Si usted se encuentra fuera de los cincuenta Estados Unidos o Canadá, póngase en contacto con su distribuidor autorizado de Jenn-Air para determinar si corresponde otra garantía.

## GARANTÍA LIMITADA DE CINCO AÑOS

### LO QUE ESTÁ CUBIERTO

#### GARANTÍA LIMITADA DE DOS AÑOS

Durante dos años a partir de la fecha de compra, siempre y cuando este electrodoméstico principal se instale y se le dé un uso y mantenimiento de conformidad con las instrucciones adjuntas o provistas con el producto, la marca Jenn-Air de Whirlpool Corporation o Whirlpool Canada LP (en lo sucesivo denominado "Jenn-Air"), se hará cargo del costo de las piezas especificadas de fábrica y del trabajo de reparación para corregir defectos en los materiales o en la mano de obra, existentes en el momento de la compra de este electrodoméstico principal o reemplazará, a su entera discreción, el producto. En caso de reemplazo, el electrodoméstico estará bajo garantía por el tiempo restante del periodo de garantía de la unidad original.

#### GARANTÍA LIMITADA DEL TERCER AL QUINTO AÑO EN EL REVESTIMIENTO DE LA CAVIDAD Y EL SISTEMA DE REFRIGERACIÓN SELLADO

Desde el tercer año desde la fecha de compra original, siempre y cuando este electrodoméstico principal se instale y se le dé un uso y mantenimiento de conformidad con las instrucciones adjuntas o provistas con el producto, la marca Jenn-Air se hará cargo del costo de las piezas especificadas de fábrica y del trabajo de reparación para los siguientes componentes, para corregir defectos no estéticos en los materiales y en la mano de obra que tenga esta pieza, los cuales eviten el funcionamiento del refrigerador, y que hayan existido en el momento de la compra de este electrodoméstico principal:

- Revestimiento de la cavidad del refrigerador/congelador si la pieza se rompiera debido a defectos de material o de mano de obra.
- Sistema de refrigeración sellado (incluye compresor, evaporador, condensador, secador y tubos conectores).

SU ÚNICO Y EXCLUSIVO RECURSO SEGÚN LOS TÉRMINOS DE ESTA GARANTÍA LIMITADA SERÁ EL DE REPARAR EL PRODUCTO SEGÚN SE ESTIPULA EN LA PRESENTE. El servicio deberá ser suministrado por una compañía de servicio designada por Jenn-Air. Esta garantía limitada es válida solamente en Estados Unidos o en Canadá y se aplica solamente cuando el electrodoméstico principal se use en el país en el que se ha comprado. Esta garantía limitada entrará en vigor a partir de la fecha de la compra del consumidor original. Se requiere una prueba de la fecha de compra original para obtener servicio bajo esta garantía limitada.

### LO QUE NO ESTÁ CUBIERTO

1. Uso comercial, no residencial o familiar múltiple o uso diferente del indicado en las instrucciones del usuario, del operador o de instalación publicadas.
2. Instrucción a domicilio sobre cómo usar el producto.
3. Servicio para corregir el mantenimiento o la instalación incorrecta del producto, la instalación que no esté de acuerdo con los códigos eléctricos o de plomería o corrección de plomería o instalación eléctrica doméstica (por ejemplo, instalación eléctrica, fusibles o mangueras de entrada de agua del hogar).
4. Piezas de consumo (por ejemplo, focos de luz, baterías, filtros de agua o de aire, soluciones de conservación, etc.).
5. Defectos o daños causados por el uso de piezas o accesorios no legítimos de Jenn-Air.
6. Daño causado por accidente, uso indebido, abuso, incendio, inundación, actos fortuitos o el empleo de productos no aprobados por Jenn-Air.
7. Reparaciones a piezas o sistemas para corregir el daño o los defectos del producto a causa de reparaciones por servicio no autorizado, alteraciones o modificaciones en el electrodoméstico.
8. Daños estéticos, incluyendo rayaduras, abolladuras, desportilladuras u otro daño al acabado del electrodoméstico a menos que el mismo sea debido a defectos en los materiales o la mano de obra y se le informe a Jenn-Air en un lapso de 30 días.
9. Decoloración, herrumbre u oxidación de las superficies producto de entornos corrosivos o cáusticos que incluyen, entre otras cosas, altas concentraciones de sal, humedad elevada o exposición a productos químicos.
10. Pérdida de comida o medicamentos debido a la falla del producto.
11. Recogida o entrega. Este producto está destinado para ser reparado en su hogar.
12. Gastos de viaje o de transporte para prestar servicio en lugares remotos en los cuales no haya disponible un técnico de servicio autorizado por Jenn-Air.
13. Remoción o reinstalación de electrodomésticos en lugares inaccesibles o dispositivos empotrados (por ejemplo, adornos, paneles decorativos, pisos, armarios, islas, mostradores, paredes, etc.) que interfieran con el servicio, la remoción o el reemplazo del producto.
14. Servicio técnico o piezas para electrodomésticos con números de serie/modelo originales removidos, alterados o no identificados con facilidad.

**El costo de la reparación o del reemplazo bajo estas circunstancias excluidas correrá por cuenta del cliente.**

---

**EXCLUSIÓN DE GARANTÍAS IMPLÍCITAS**

LAS GARANTÍAS IMPLÍCITAS, INCLUYENDO CUALQUIER GARANTÍA IMPLÍCITA DE COMERCIABILIDAD O GARANTÍA IMPLÍCITA DE CAPACIDAD PARA UN PROPÓSITO PARTICULAR, SERÁN LIMITADAS A UN AÑO O AL PERÍODO MÁS CORTO PERMITIDO POR LEY. Algunos estados y provincias no permiten la limitación de la duración de las garantías implícitas de comerciabilidad o capacidad, de modo que la limitación arriba indicada quizá no le corresponda. Esta garantía le otorga derechos legales específicos y es posible que usted tenga también otros derechos que varían de un estado a otro o de una provincia a otra.

---

**EXCLUSIÓN DE DECLARACIONES FUERA DE LA GARANTÍA**

Jenn-Air no hace declaraciones acerca de la calidad, durabilidad o necesidad de servicio técnico o reparación de este electrodoméstico principal aparte de las declaraciones incluidas en esta garantía. Si usted desea una garantía con una duración más prolongada o más completa que la garantía limitada que se incluye con este electrodoméstico principal, deberá dirigirse a Jenn-Air o a su distribuidor acerca de la compra de una garantía extendida.

---

**LIMITACIÓN DE RECURSOS; EXCLUSIÓN DE DAÑOS INCIDENTALES Y CONSECUENTES**

SU ÚNICO Y EXCLUSIVO RECURSO SEGÚN LOS TÉRMINOS DE ESTA GARANTÍA LIMITADA SERÁ EL DE REPARAR EL PRODUCTO SEGÚN SE ESTIPULA EN LA PRESENTE. JENN-AIR NO SE RESPONSABILIZARÁ POR DAÑOS INCIDENTALES O CONSECUENTES. Algunos estados y provincias no permiten la exclusión o limitación de daños incidentales o consecuentes, de modo que estas limitaciones y exclusiones quizás no le correspondan. Esta garantía le otorga derechos legales específicos y es posible que usted tenga también otros derechos que varían de un estado a otro o de una provincia a otra.

---

# SÉCURITÉ DES TIROIRS RÉFRIGÉRÉS

## Votre sécurité et celle des autres est très importante.

Nous donnons de nombreux messages de sécurité importants dans ce manuel et sur votre appareil ménager. Assurez-vous de toujours lire tous les messages de sécurité et de vous y conformer.



Voici le symbole d'alerte de sécurité.

Ce symbole d'alerte de sécurité vous signale les dangers potentiels de décès et de blessures graves à vous et à d'autres.

Tous les messages de sécurité suivront le symbole d'alerte de sécurité et le mot "DANGER" ou "AVERTISSEMENT". Ces mots signifient :

**⚠ DANGER**

**Risque possible de décès ou de blessure grave si vous ne suivez pas immédiatement les instructions.**

**⚠ AVERTISSEMENT**

**Risque possible de décès ou de blessure grave si vous ne suivez pas les instructions.**

Tous les messages de sécurité vous diront quel est le danger potentiel et vous disent comment réduire le risque de blessure et ce qui peut se produire en cas de non-respect des instructions.

## IMPORTANTES INSTRUCTIONS DE SÉCURITÉ

**AVERTISSEMENT :** Pour réduire les risques d'incendie, de choc électrique ou de blessures lors de l'utilisation du(des) tiroir(s) réfrigéré(s), prendre quelques précautions fondamentales, y compris les suivantes :

- Brancher l'appareil sur une prise à 3 alvéoles reliée à la terre.
- Ne pas enlever la broche de liaison à la terre.
- Ne pas utiliser un adaptateur.
- Ne pas utiliser un câble de rallonge.
- Déconnecter la source de courant électrique avant l'entretien.
- Replacer pièces et panneaux avant de faire la remise en marche.
- Ôter la porte ou le(s) tiroir(s) de votre vieil appareil réfrigéré.
- Utiliser un produit de nettoyage ininflammable.
- Garder les matières et les vapeurs inflammables, telle que l'essence, loin du(des) tiroir(s) réfrigéré(s).
- Utiliser deux ou plus de personnes pour déplacer et installer le(s) tiroir(s) réfrigéré(s).

## CONSERVEZ CES INSTRUCTIONS

Avertissements de la proposition 65 de l'État de Californie :

**AVERTISSEMENT :** Ce produit contient au moins un produit chimique connu par l'État de Californie pour être à l'origine de cancers.

**AVERTISSEMENT :** Ce produit contient au moins un produit chimique connu par l'État de Californie pour être à l'origine de malformations et autres déficiences de naissance.

## Mise au rebut correcte de votre vieil appareil réfrigéré

### **⚠ AVERTISSEMENT**

#### Risque de suffoquer

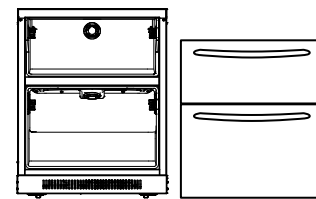
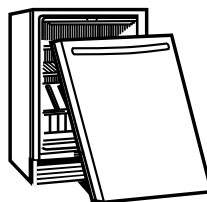
Enlever la porte ou le(s) tiroir(s) de votre vieil appareil réfrigéré.

Le non-respect de cette instruction peut causer un décès ou des lésions cérébrales.

**IMPORTANT :** L'emprisonnement et l'étouffement des enfants ne sont pas un problème du passé. Les vieux appareils réfrigérés jetés ou abandonnés sont encore dangereux, même s'ils sont laissés abandonnés pendant "quelques jours seulement". Si vous vous débarrassez de votre vieil appareil réfrigéré, veuillez suivre les instructions suivantes pour aider à éviter les accidents.

### Avant de jeter votre vieil appareil réfrigéré :

Enlever la porte ou le(s) tiroir(s).



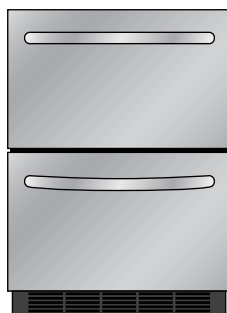
### Renseignements importants à propos de la mise au rebut des fluides réfrigérants :

Mettre le réfrigérateur au rebut conformément à la réglementation fédérale et locale. Les fluides réfrigérants doivent être évacués par un technicien certifié et agréé par l'EPA conformément aux procédures établies.

## Modèles avec tiroirs de 24"

### Double tiroir réfrigéré

Deux tiroirs de réfrigération offrent plus d'options de rangement dans la cuisine ou dans les autres pièces de la maison.



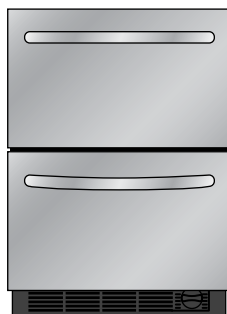
Série Euro  
JUD24FR\*S



Panneaux décoratifs - panneaux et poignées personnalisés nécessaires  
JUD24FR\*X

### Tiroirs de réfrigération/congélation (avec machine à glaçons et filtre à eau)

Un tiroir de réfrigération supérieur et un tiroir de congélation inférieur offrent plus d'options de rangement dans la cuisine ou dans les autres pièces de la maison. La machine à glaçons installée à l'usine dans le tiroir inférieur assure de continuellement disposer d'une source de distribution de glaçons à portée de main et disponible en tout temps.



Série Euro  
JUD24FC\*S



Panneaux décoratifs - panneaux et poignées personnalisés nécessaires  
JUD24FC\*X

# EXIGENCES D'INSTALLATION

## Outillage et pièces

### Outillage nécessaire :

Rassembler les outils et pièces nécessaires avant de commencer l'installation.

Lire et suivre les instructions fournies avec les outils mentionnés ici.

- Perceuse sans fil
- Mètre ruban
- Foret de 1/8"
- Niveau
- Tournevis Phillips

### Outils additionnels nécessaires (Style 2 - Décoratif seulement) :

- Ciseaux
- Pointe à tracer
- Crayon

### Pièces nécessaires (Style 2 - Décoratif seulement) :

- Panneaux décoratifs de tiroir personnalisés – Voir "Panneaux décoratifs de tiroir personnalisés".
- Quincaillerie

### Pièces fournies :

- Crochets (8)
- Vis à bois autotaraudeuses (4)
- Vis (16)

## Exigences d'emplacement

### ⚠ AVERTISSEMENT



#### Risque d'explosion

Garder les matières et les vapeurs inflammables, telle que l'essence, loin du/des tiroir(s) réfrigéré(s).

Le non-respect de cette instruction peut causer un décès, une explosion ou un incendie.

### REMARQUES :

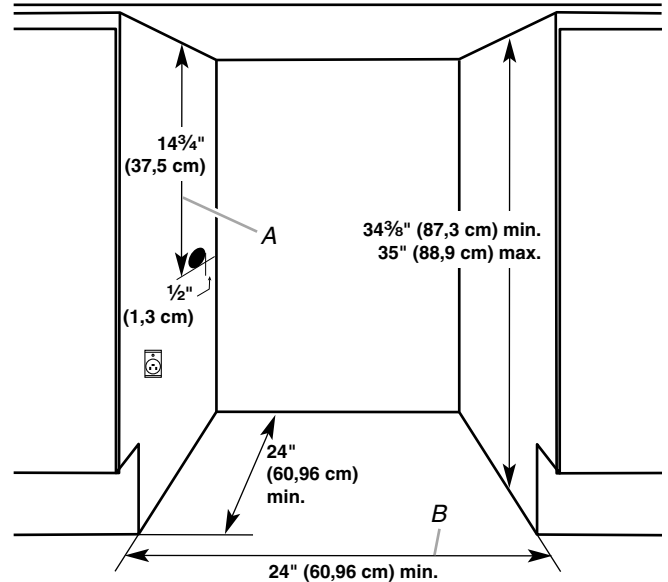
- Lorsqu'on souhaite placer les tiroirs réfrigérés en affleurement avec la façade des placards inférieurs, enlever toutes les moulures et plinthes à l'arrière de l'ouverture. Voir "Dimensions du produit" et "Dimensions de l'ouverture (pour les deux styles)" plus loin dans cette section.
- On recommande de ne pas installer les tiroirs réfrigérés près d'un four, d'un radiateur ou de toute autre source de chaleur.
- Ne pas installer les tiroirs réfrigérés en un endroit où la température pourrait descendre en-dessous de 55°F (13°C).

## Dimensions de l'ouverture (pour les deux styles)

- Les dimensions de hauteur sont illustrées avec les pieds de nivellement déployés à la hauteur minimum de 1/4" (6,35 mm) sous les tiroirs réfrigérés.

**REMARQUE :** Lorsque les pieds de nivellement sont totalement déployés de 1" (25 mm) au-dessous des tiroirs réfrigérés, ajouter 3/4" (19,05 mm) à la hauteur totale. Voir "Dimensions du produit".

- Si le plancher de l'ouverture n'est pas au même niveau que le plancher de la cuisine, placer une cale dans l'ouverture pour qu'elle soit au même niveau que le plancher de la cuisine.



#### Dimensions critiques :

A. Ouverture utilitaire

B. Largeur min. de l'ouverture

## Spécifications électriques

### ⚠️ AVERTISSEMENT



#### Risque de choc électrique

**Brancher sur une prise à 3 alvéoles reliée à la terre.**

**Ne pas enlever la broche de liaison à la terre.**

**Ne pas utiliser un adaptateur.**

**Ne pas utiliser un câble de rallonge.**

**Le non-respect de ces instructions peut causer un décès, un incendie ou un choc électrique.**

Avant de placer les tiroirs réfrigérés à leur emplacement final, il est important de vous assurer d'avoir la connexion électrique appropriée.

#### Méthode recommandée de mise à la terre

Une source d'alimentation de 115 volts, 60 Hz, CA seulement, protégée par fusible de 15 ou 20 ampères et adéquatement mise à la terre est nécessaire. On recommande que les tiroirs réfrigérés soient alimentés par un circuit indépendant. Utiliser une prise murale qui ne peut pas être mise hors circuit à l'aide d'un commutateur. Ne pas utiliser de câble de rallonge.

**IMPORTANT :** Si ce produit est connecté à une prise protégée par un disjoncteur de fuite à la terre, un déclenchement intempestif peut se produire et causer une perte de refroidissement. La qualité et la saveur des aliments risquent d'être affectées. Si un déclenchement intempestif se produit et si les aliments semblent de piètre qualité, jeter le tout.

## Spécifications de l'alimentation en eau (sur les tiroirs de réfrigération/congélation uniquement)

Rassembler les outils et pièces nécessaires avant de commencer l'installation. Lire et suivre les instructions fournies avec les outils indiqués ici.

#### IMPORTANT :

- Si on doit utiliser le réfrigérateur avant qu'il soit raccordé à la canalisation d'eau, placer la commande de la machine à glaçons à la position OFF (arrêt).
- Toutes les installations doivent être conformes aux exigences des codes locaux de plomberie.
- Utiliser un tube en cuivre et vérifier l'absence de fuite. Installer les tubes en cuivre seulement à des endroits où la température se maintient au-dessus du point de congélation.

**OUTILLAGE NÉCESSAIRE :** Tournevis à lame plate, clés plates de  $\frac{7}{16}$ " et  $\frac{1}{2}$ " ou 2 clés à molette réglables, tourne-écrou et foret de  $\frac{1}{4}$ ", perceuse sans fil.

**REMARQUE :** Votre marchand de réfrigérateurs propose une trousse disponible avec un robinet d'arrêt à étrier de  $\frac{1}{4}$ " (6,35 mm), un raccord et un tube en cuivre. Avant l'achat, s'assurer que le robinet d'arrêt à étrier est conforme à vos codes locaux de plomberie. Ne pas employer de robinet d'arrêt à étrier de  $\frac{3}{16}$ " (4,76 mm) ou de type à percer, ce qui réduit le débit d'eau et cause une obstruction plus facilement.

## Pression de l'eau

Une alimentation en eau froide avec une pression entre 30 et 120 lb/po<sup>2</sup> (207 et 827 kPa) est nécessaire pour faire fonctionner la machine à glaçons. Si vous avez des questions au sujet de la pression de votre eau, faire appel à un plombier qualifié agréé.

#### Alimentation en eau par osmose inverse

**IMPORTANT :** La pression de l'alimentation en eau entre le système d'osmose inverse et la valve d'arrivée d'eau du réfrigérateur doit être entre 30 et 120 lb/po<sup>2</sup> (207 et 827 kPa).

Si un système de purification de l'eau par osmose inverse est raccordé à votre alimentation en eau froide, la pression de l'eau au système doit être d'un minimum de 40 à 60 lb/po<sup>2</sup> (276 à 414 kPa).

Si la pression de l'eau au système d'osmose inverse est inférieure à 40 à 60 lb/po<sup>2</sup> (276 à 414 kPa) :

- Vérifier que le filtre à sédiments du système d'osmose inverse n'est pas obstrué et le remplacer si nécessaire.
- Laisser le réservoir du système d'osmose inverse se remplir après une utilisation intense.

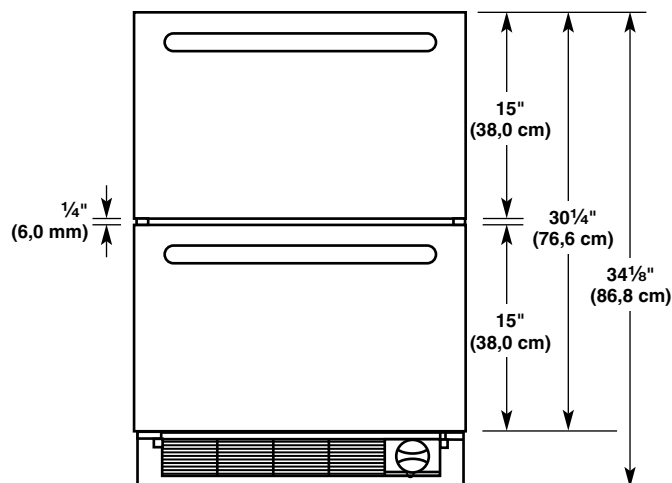
Si vous avez des questions au sujet de la pression de votre eau, appeler un plombier qualifié agréé.

## Dimensions du produit

### Dimensions de hauteur du tiroir

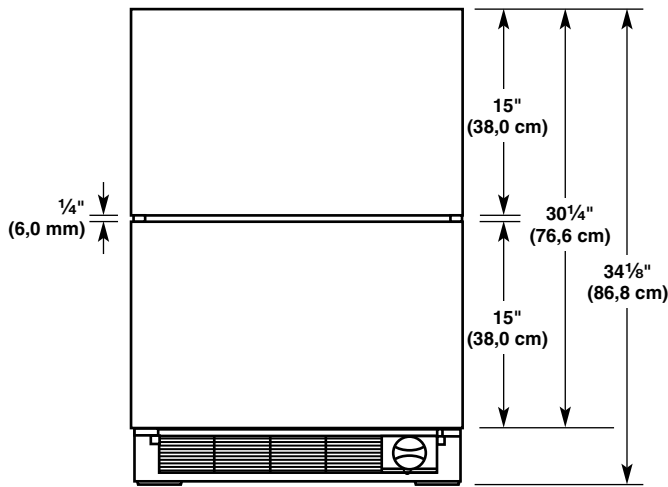
- Les dimensions de hauteur sont illustrées avec les pieds de nivellement déployés à  $\frac{1}{4}$ " (6,35 mm) sous les tiroirs réfrigérés.
- Lorsque les pieds de nivellement sont totalement déployés de 1" (25 mm) sous les tiroirs réfrigérés, ajouter  $\frac{3}{4}$ " (19,05 mm) à la hauteur totale.
- La longueur du cordon d'alimentation est de 60" (152,4 cm).

### Style 1 - Série Euro (vue avant)



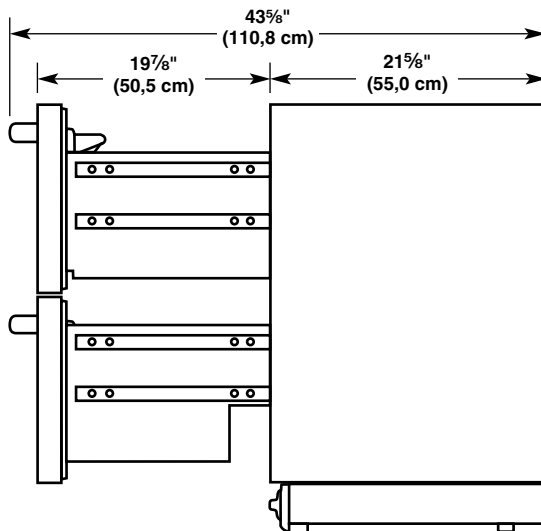


## Style 2 - Panneaux décoratifs (vue avant)

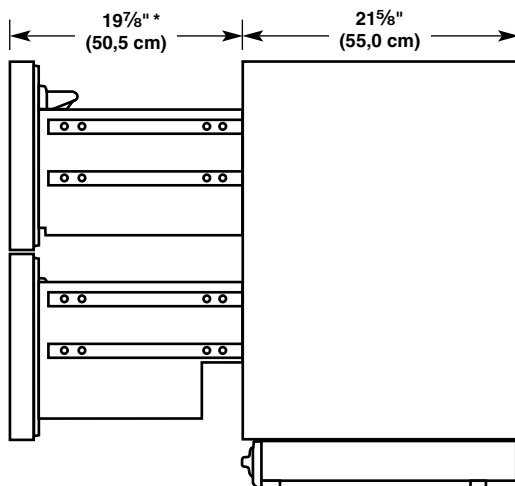


## Dimensions de profondeur du tiroir

## Style 1 - Série Euro (vue latérale)



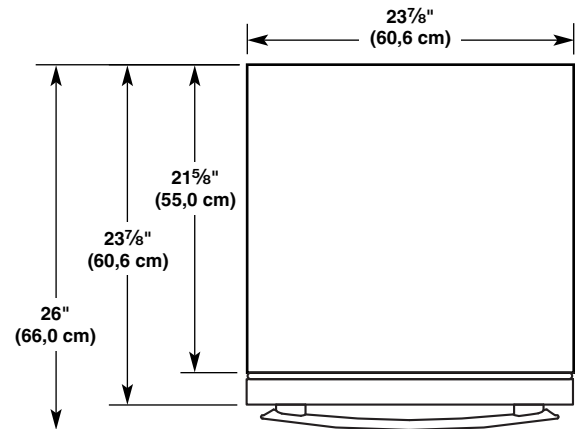
## Style 2 - Panneaux décoratifs (vue latérale)



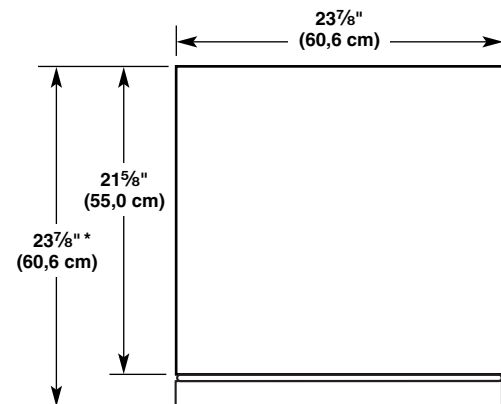
\*Cette dimension prend en compte la dimension de  $\frac{3}{4}$ " (1,9 cm) pour l'épaisseur du panneau de tiroir

## Dimensions de largeur de tiroir

## Style 1 - Série Euro (vue du dessus)



## Style 2 - Panneaux décoratifs (vue du dessus)



\*Cette dimension prend en compte la dimension de  $\frac{3}{4}$ " (1,9 cm) pour l'épaisseur du panneau de tiroir personnalisé

## Panneaux décoratifs personnalisés de tiroirs

Si vous prévoyez d'installer des panneaux personnalisés en bois, vous devrez les créer vous-même ou consulter un ébéniste ou menuisier qualifié. Voir le dessin des dimensions pour les spécifications du panneau.

### IMPORTANT :

- L'épaisseur des panneaux décoratifs doit être de  $\frac{3}{4}$ " (19,05 mm).
- Pour éviter tout dommage aux tiroirs, le poids de chaque panneau décoratif ne doit pas dépasser 10 lb (4,5 kg).
- Respecter les dimensions indiquées pour la hauteur des panneaux décoratifs. Si la dimension de la hauteur est supérieure à la valeur recommandée, les tiroirs de réfrigération, les placards et/ou le plan de travail pourraient subir des dommages.
- La largeur des panneaux décoratifs peut varier en fonction de la largeur de l'espace d'installation de la caisse.

- Pour l'installation du panneau personnalisé, les pièces suivantes sont nécessaires :
  - 16 vis (autotaraudeuses inox à tête plate 1 M4x12)
  - 4 vis à bois autotaraudeuses
  - 4 platines à crochet droites pour panneau décoratif de tiroir (SPHC T= 2,3)
  - 4 platines à crochet gauches pour panneau décoratif de tiroir (SPHC T= 2,3)



A

B



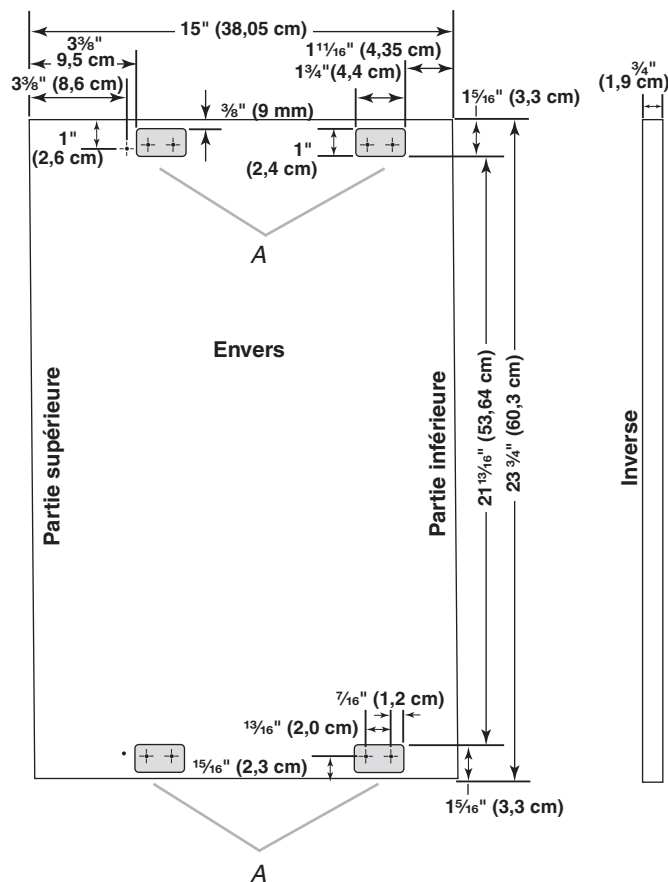
C

D

- A. Vis taraudeuses inox à tête plate M4x12  
 B. Vis à bois autotaraudeuses  
 C. Platine à crochet droite pour panneau décoratif  
 D. Platine à crochet gauche pour panneau décoratif

**REMARQUE :** Certaines pièces ou la totalité peuvent être incluses ou non. Si ces pièces ne sont pas incluses avec cet appareil, faire un appel de service ou demander l'avis d'un spécialiste.

### Dimensions de la partie supérieure et inférieure du panneau décoratif de tiroir



A. Fraiser à 1/8" (3,18 mm) de profondeur.

# INSTRUCTIONS D'INSTALLATION

## Déballage des tiroirs réfrigérés

### ⚠ AVERTISSEMENT

#### Risque du poids excessif

Utiliser deux ou plus de personnes pour déplacer et installer le(s) tiroir(s) réfrigéré(s).

Le non-respect de cette instruction peut causer une blessure au dos ou d'autre blessure.

### Enlèvement des matériaux d'emballage

Enlever tout résidu de ruban adhésif et de colle des surfaces avant de mettre les tiroirs réfrigérés en marche. Frotter une petite quantité de savon liquide à vaisselle sur le résidu de colle avec les doigts. Rincer à l'eau tiède et sécher. Ne pas utiliser d'instruments coupants, d'alcool à friction, de liquides inflammables ou de nettoyants abrasifs pour enlever le ruban adhésif ou la colle. Ces produits peuvent endommager la surface de vos tiroirs réfrigérés. Jeter le matériel d'emballage de manière appropriée.

### Déplacement des tiroirs réfrigérés :

Vos tiroirs réfrigérés sont lourds. Lors du déplacement de l'appareil pour le service, veiller à recouvrir le plancher avec du carton ou un panneau de fibres dures pour éviter qu'il ne subisse tout dommage. Toujours tirer l'appareil tout droit lors du déplacement. Ne pas incliner l'appareil d'un côté ou de l'autre ni le "faire marcher" en essayant de le déplacer car le plancher pourrait être endommagé.

### Nettoyage avant utilisation

Après avoir enlevé tous les matériaux d'emballage, nettoyer l'intérieur des tiroirs réfrigérés avant de les utiliser. Voir la section "Nettoyage".

## Raccordement de l'alimentation en eau

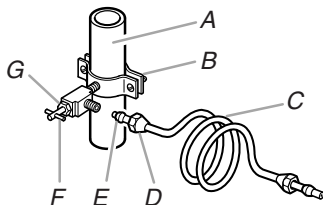
(sur les tiroirs de réfrigération/congélation uniquement)

### Raccordement à une canalisation d'eau

1. Débrancher le réfrigérateur ou déconnecter la source de courant électrique.
2. FERMER le robinet principal d'arrivée d'eau. OUVRIR le robinet de puisage le plus proche pendant une période suffisante pour que la canalisation d'eau se vide.
3. Trouver une canalisation d'eau froide verticale de 1/2" à 1 1/4" (1,25 cm à 3,18 cm) près du réfrigérateur.

### IMPORTANT :

- Assurez-vous qu'il s'agit d'un conduit d'eau froide.
  - Un conduit horizontal fonctionnera, mais percer par le dessus de la canalisation et non pas par le dessous. Ainsi, l'eau ne risquera pas d'arroser la perceuse. Ceci empêche également les sédiments qu'on trouve normalement dans l'eau de s'accumuler dans le robinet d'arrêt.
4. Pour déterminer la longueur du tube en cuivre, il faut mesurer la distance entre le point de connexion inférieur gauche à l'arrière du réfrigérateur et le tuyau d'arrivée d'eau. Ajouter une longueur de 7 pi (2,1 m) pour permettre le déplacement du réfrigérateur pour le nettoyage. Utiliser un tube en cuivre de 1/4" (6,35 mm) de diamètre extérieur. Veiller à ce que le tube soit coupé d'équerre aux deux extrémités.
  5. À l'aide d'une perceuse sans fil, percer un trou de 1/4" dans le tuyau de canalisation d'eau froide choisi.



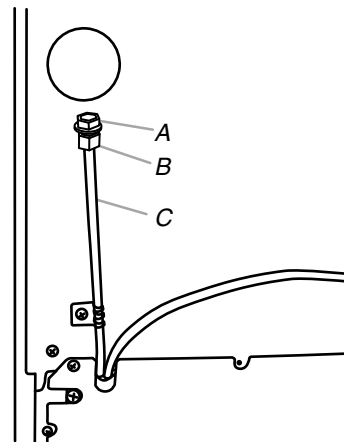
A. Canalisation d'eau froide  
B. Bride de tuyau  
C. Tube en cuivre  
D. Écrou de compression  
E. Bague de compression  
F. Robinet d'arrêt  
G. Écrou de serrage

6. Fixer le robinet d'arrêt sur la canalisation d'eau froide avec la bride de tuyau. Vérifier que le raccord de sortie est bien engagé dans le trou de 1/4" percé dans la canalisation et que la rondelle d'étanchéité est placée sous la bride de tuyau. Serrer l'écrou de serrage. Serrer lentement et uniformément les vis de la bride de tuyau afin que la rondelle forme une jonction étanche. Ne pas serrer excessivement car ceci pourrait provoquer l'écrasement du tube en cuivre.
7. Enfiler l'écrou et la bague de compression du raccord sur le tube en cuivre comme on le voit sur l'illustration. Insérer l'extrémité du tube à angle droit et aussi loin que possible dans l'ouverture de sortie du robinet. Visser l'écrou de compression sur le raccord de sortie avec une clé à molette. Ne pas serrer excessivement.
8. Placer le bout libre du tube dans un contenant ou évier, OUVRIER le robinet principal d'arrivée d'eau et laisser l'eau s'écouler par le tube jusqu'à ce que l'eau soit limpide. FERMER le robinet principal d'arrivée d'eau. Enrouler le tube en cuivre en spirale.

### Raccordement au réfrigérateur

1. Connecter le tube en cuivre au robinet d'arrivée d'eau en utilisant un écrou et une bague de compression tel qu'illustré. Serrer l'écrou de compression. Ne pas serrer excessivement. Utiliser la bride du tube à l'arrière du réfrigérateur pour fixer le tube au réfrigérateur tel qu'illustré. Ceci aide à éviter d'endommager le tube lorsque le réfrigérateur est poussé contre le mur.
2. OUVRIER le robinet d'arrêt.

3. Inspecter pour rechercher les fuites. Serrer tous les raccords (y compris les raccords du robinet d'arrivée d'eau) ou les écrous qui coulent.



A. Bouchon  
B. Écrou de compression  
C. Tube en XLPE

4. La machine à glaçons est équipée d'un filtre à eau incorporé. Si la qualité de l'eau distribuée localement nécessite un deuxième filtre à eau, l'installer dans le tube de raccordement de 1/4" (6,35 mm). On peut obtenir un tel filtre à eau chez le marchand d'appareils électroménagers le plus proche.
5. Brancher le réfrigérateur ou reconnecter la source de courant électrique.

### Déplacement des tiroirs réfrigérés à leur emplacement final

1. Placer le sommet de l'emballage (carton) ou une feuille de contreplaqué sous l'appareil. Enlever le chariot.
2. Ne pas ôter le film ou l'emballage.

## ⚠ AVERTISSEMENT



### Risque de choc électrique

Brancher sur une prise à 3 alvéoles reliée à la terre.

Ne pas enlever la broche de liaison à la terre.

Ne pas utiliser un adaptateur.

Ne pas utiliser un câble de rallonge.

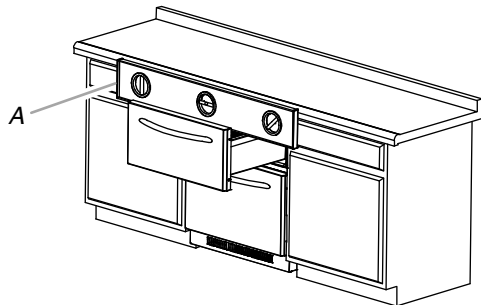
**Le non-respect de ces instructions peut causer un décès, un incendie ou un choc électrique.**

3. Brancher l'appareil sur une prise à 3 alvéoles reliée à la terre.
4. Pousser les tiroirs réfrigérés en ligne droite et uniformément devant l'espace d'installation.

## Réglage de l'aplomb des tiroirs réfrigérés

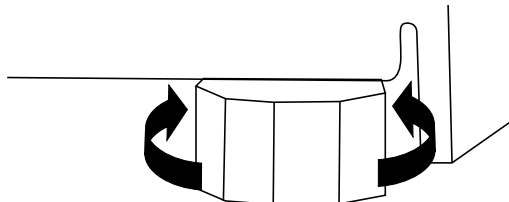
### IMPORTANT :

- Le modèle décoratif—S'assurer d'installer les panneaux décoratifs de tiroir personnalisés avant de régler l'aplomb des tiroirs réfrigérés. Voir "Installation du panneau décoratif personnalisé".
  - Vérifier que le plan de travail est d'aplomb avant d'installer les tiroirs réfrigérés.
  - Si le plan de travail n'est pas de niveau, ajustez les pieds de nivellement des tiroirs de réfrigération jusqu'à ce que l'appareil soit à angle droit avec le plan de travail. Veiller à conserver un espace minimum de  $\frac{3}{8}$ " (9,5 mm) entre la partie supérieure du tiroir et le plan de travail.
1. Ouvrir le tiroir supérieur; placer un niveau en travers du tiroir supérieur - voir l'illustration. Contrôler l'aplomb de l'appareil de gauche à droite.

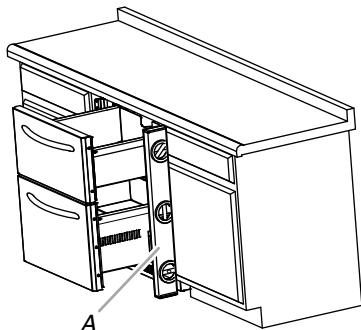


A. Contrôle de l'aplomb de l'appareil (gauche-droite)

2. Tournez les pieds de nivellement (avant et arrière) jusqu'à ce que le tiroir supérieur soit de niveau de gauche à droite.



3. Enlever le niveau et fermer le tiroir supérieur. Contrôler l'espace entre le sommet du tiroir et le plan de travail. Si l'espace mesure moins de  $\frac{3}{8}$ " (9,5 mm), tourner uniformément les quatre boulons de réglage de l'aplomb vers la gauche pour relever les pieds de nivellement (ce qui abaissera l'appareil) et contrôler l'aplomb de nouveau.
4. Ouvrir les deux tiroirs, de moins de 50 pour cent. Placer le niveau contre le bord latéral des tiroirs - voir l'illustration. Tourner les boulons de réglage de l'aplomb avant ensemble afin de relever ou d'abaisser l'appareil jusqu'à ce que les côtés des tiroirs réfrigérés soient d'aplomb.



A. Contrôle de l'aplomb (avant-arrière)

5. Enlever le niveau et fermer les tiroirs. Contrôler de nouveau l'espace entre le sommet du tiroir et le plan de travail. Si l'espace mesure moins de  $\frac{3}{8}$ " (9,5 mm), tourner uniformément les quatre boulons de réglage de l'aplomb pour relever les pieds de nivellement (ce qui abaissera l'appareil) et contrôler l'aplomb de nouveau.

**REMARQUE :** Ne pas oublier de contrôler de nouveau l'horizontalité du tiroir supérieur.

6. Vérifier que les quatre pieds de nivellement reposent sur le sol et soutiennent tout le poids des tiroirs réfrigérés.

## Installation du panneau décoratif personnalisé

### IMPORTANT :

- Créer un panneau décoratif personnalisé selon les spécifications de la section "Panneaux décoratifs de tiroirs personnalisés".
- Jenn-Air n'est pas responsable des opérations de dépose et d'installation de moulures ou panneaux décoratifs qui entraveraient l'accès au réfrigérateur lors d'une intervention d'entretien ou de réparation.

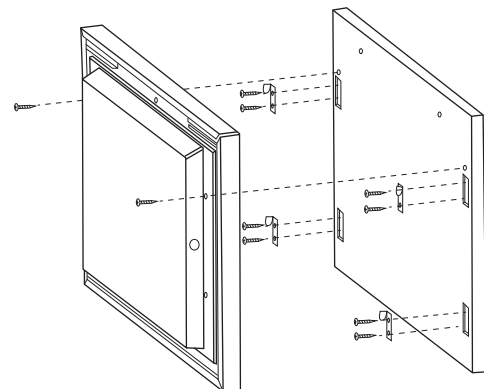
### Fixation du panneau décoratif

**REMARQUE :** Si les crochets pour panneau décoratif ne sont pas installés, voir "Panneaux décoratifs de tiroirs personnalisés" pour l'emplacement des crochets. L'emplacement des crochets doit être le plus précis possible. Si le panneau personnalisé est placé de manière incorrecte, le panneau risque d'entraver le rendement optimal des tiroirs.

1. Fixer la poignée personnalisée de votre choix sur le panneau décoratif avant de le fixer au tiroir du réfrigérateur.

**REMARQUE:** Les dimensions des poignées personnalisées peuvent varier. Les trous doivent être percés sur le panneau en respectant les dimensions spécifiques de la poignée.

2. Fixer les crochets dans leurs espaces correspondants sur le panneau à l'aide des vis inox à tête plate M4x12. Deux vis sont nécessaires par crochet. Les crochets doivent être sur le bord externe du panneau.



3. Tirer doucement sur le joint des angles supérieurs de la porte jusqu'à apercevoir la vis située derrière le joint. Il y a une vis de chaque côté. Il n'est pas nécessaire de retirer le joint.
4. Retirer les vis situées derrière le joint (une par côté).
5. Aligner le panneau sur le tiroir et positionner le panneau décoratif  $\frac{1}{2}$ " (1,27cm) plus haut que la porte. Positionner les crochets pour panneau décoratif sur les avant-trous et pousser les crochets dans les trous. L'intérieur du tiroir comporte une mousse isolante, il est donc possible de sentir un obstacle au moment de pousser. Pousser jusqu'à ce que les crochets traversent la mousse.

6. Pousser le panneau décoratif tout droit vers le bas pour fixer les crochets pour panneau dans la porte.
7. Fixer le panneau au tiroir en utilisant les vis à bois autotaraudeuses (deux par tiroir, un à chaque coin des tiroirs).

**REMARQUE:** Ne pas mettre les vis retirées à l'étape 4 sur la porte.

8. Une fois que le panneau est correctement fixé au tiroir à l'aide des deux vis, réinstaller le joint en l'appuyant contre la porte jusqu'à ce que le joint soit régulier et tienne bien en place.

## Achever l'installation

1. Retirer boîtes, composants et matériaux d'emballage de l'intérieur des tiroirs réfrigérés.
2. Retirer le film.
3. Nettoyer les tiroirs réfrigérés avant utilisation.
4. Les commandes sont pré-réglées à l'usine aux réglages recommandés. S'assurer que le compresseur fonctionne bien et que toutes les lampes fonctionnent.
5. Si les travaux doivent se poursuivre après l'installation des tiroirs réfrigérés, fermer l'alimentation électrique pour les deux tiroirs.

Pour obtenir l'utilisation la plus efficace de vos nouveaux tiroirs de réfrigération, lisez la section "Utilisation des tiroirs réfrigérés".

# UTILISATION DES TIROIRS RÉFRIGÉRÉS

## Sons normaux

Il est possible que les tiroirs réfrigérés neufs émettent des bruits que l'appareil précédent ne produisait pas. Comme ces sons sont nouveaux, ils peuvent vous inquiéter. La plupart de ces nouveaux sons sont normaux. Les sons peuvent vous sembler plus forts avec des surfaces dures comme le sol, les murs et les armoires. Les descriptions suivantes indiquent les genres de sons et leur cause possible.

- Vos tiroirs réfrigérés sont conçus pour fonctionner de manière plus efficace afin de conserver vos aliments aux températures désirées et de minimiser la consommation d'énergie. Le compresseur et les ventilateurs à haute efficacité peuvent faire fonctionner vos tiroirs réfrigérés plus longtemps que l'ancien appareil. Il se peut également que vous entendiez un bruit saccadé ou aigu provenant du compresseur ou des ventilateurs qui s'ajustent pour optimiser la performance.
- Vous pouvez entendre le moteur du ventilateur de l'évaporateur qui fait circuler l'air à travers les compartiments des tiroirs réfrigérés. La vitesse du ventilateur peut augmenter si les tiroirs sont ouverts ou si vous ajoutez des aliments chauds.
- À la fin de chaque programme, vous pouvez entendre un gargouillement attribuable au réfrigérant qui s'écoule dans le tube du système scellé.
- La contraction et l'expansion des parois internes peuvent produire un bruit sec.
- Il est possible que vous entendiez de l'air qui est transmis au condenseur par le ventilateur du condenseur.
- Il est possible que vous entendiez l'écoulement de l'eau dans le plateau de dégivrage pendant le programme Off (arrêt.)

## Pour assurer une circulation d'air correcte

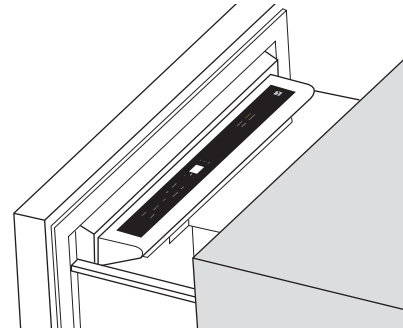
Pour garantir des températures appropriées, il est nécessaire de permettre la circulation de l'air à l'intérieur des tiroirs.

Ne pas bloquer les ouvertures d'aération. Si les ouvertures d'aération sont bloquées, le courant d'air est obstrué et des problèmes de température et d'humidité peuvent survenir.

**IMPORTANT :** Pour éviter le transfert d'odeurs et l'assèchement des aliments, envelopper ou recouvrir hermétiquement les aliments.

## Utilisation des commandes

Les tableaux de commande des modèles à double tiroir réfrigéré sont situés dans le tiroir supérieur. Pour visualiser et régler le tableau de commande supérieur et inférieur, retirer le tiroir supérieur.

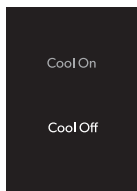


### IMPORTANT:

- Attendre 24 heures après avoir mis en marche les tiroirs de réfrigération avant d'y ajouter des aliments. Si on ajoute des aliments avant que les tiroirs aient complètement refroidi, les aliments risquent de se gâter.
- **REMARQUE :** Le réglage des commandes à un réglage inférieur (plus froid) dans l'un des tiroirs ou dans les deux ne les refroidira pas plus rapidement.
- Si la température est trop tiède ou trop froide dans les tiroirs, inspecter d'abord les événements pour s'assurer qu'ils ne sont pas bloqués, avant de régler les commandes.
- Les pré-réglages doivent être corrects pour une utilisation domestique normale. La commande du réfrigérateur est réglée correctement lorsque le lait ou le jus est à la température souhaitée.
- La commande du congélateur est réglée correctement lorsque la crème glacée est ferme.
- La température réelle peut être différente de celle affichée lorsqu'un tiroir est laissé ouvert pendant une période prolongée.

## Mise en marche/arrêt des tiroirs

- Lorsque le réfrigérateur est branché pour la première fois, la commande est au mode Cool Off (refroidissement désactivé). Cool on (refroidissement activé) ou Cool Off (refroidissement désactivé) seront les seules options affichées.



- Appuyer sur COOL ON (refroidissement activé) pendant 3 secondes pour mettre en marche les tiroirs. Tous les menus et réglages de température recommandés s'affichent.



Style 1 : Modèles avec tiroir de réfrigération

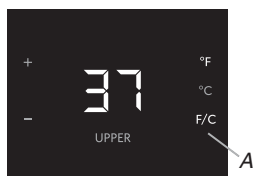


Style 2 : Modèles combinés réfrigérateur/congélateur

- Les touches tactiles de température et de pré-réglages à gauche commandent la température du compartiment supérieur.
- Les touches tactiles de température et de pré-réglages à droite commandent la température du compartiment inférieur.

## Visualisation de la température en degrés Celsius

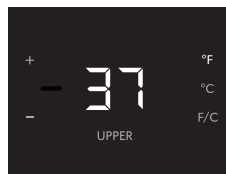
- Appuyer sur la touche F/C pour basculer entre l'affichage de la température en degrés Fahrenheit et en degrés Celsius. Le témoin correspondant s'allume.



A. Touche F/C

## Réglage aux températures recommandées

Lorsque le réfrigérateur est allumé pour la première fois, une température recommandée est réglée par défaut. Les commandes règlent indépendamment la température des deux compartiments.



- Pour régler les points de réglage de température, appuyer sur "+" (plus) ou "-" (moins) jusqu'à ce que le réglage de température souhaité soit atteint.

## Modèle JUD24FR\*

**REMARQUE :** Le point de réglage pour le modèle à double tiroir réfrigéré est 37 °F (2 °C). La gamme de valeurs de réglage pour ce modèle est comprise entre 32 °F et 42 °F (de 0 °C à 5 °C) pour les deux compartiments.

## Modèle JUD24FC\*

**REMARQUE :** Le point de réglage pour le modèle de tiroirs de réfrigération/congélation est 37 °F (2 °C) pour le tiroir de réfrigération et 0 °F (-17 °C) pour le tiroir de congélation. La gamme de valeurs de réglage pour le modèle de tiroirs de réfrigération/congélation est comprise entre 32 °F et 42 °F (0 °C et 5 °C) pour le tiroir de réfrigération et entre -8 °F et 6 °F (-22 °C et -14 °C) pour le tiroir de congélation.

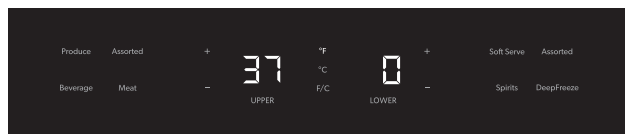
**REMARQUE :** Attendre au moins 24 heures entre chaque réglage pour que l'appareil puisse s'acclimater.

## Utilisation des pré-réglages

Pour plus de commodité, chaque tiroir comporte des commandes pré-réglées à des températures de conservation recommandées pour des produits spécifiques.



Style 1 : Modèles avec tiroir de réfrigération



Style 2 : Modèles combinés réfrigérateur/congélateur

En appuyant sur une option, on règle la température à la température recommandée pour chaque catégorie :

### Tiroir de réfrigération

- Produce (spécialités alimentaires) : 39 °F (3 °C)
- Assorted (assortis) : 37 °F (2 °C)
- Beverage (boisson) : 34 °F (1 °C)
- Meat (viande) : 32 °F (0 °C)

### Tiroir de congélation

- Soft Serve (crème glacée molle) : 6 °F (-14 °C)

**REMARQUE:** Soft Serve (crème glacée molle) est un réglage de température temporaire qui ne dure que 4 heures et revient au point de réglage de température précédent une fois terminé.

- Assorted (assortis) : 0 °F (17 °C)
- Spirits (spiritueux) ; -2 °F (-18 °C)
- Deep Freeze (congélation intense) : -8 °F (-22 °C)

## Max Cool (refroidissement maximal)

La caractéristique Max Cool (refroidissement maximal) est utile lors de périodes d'utilisation intensive, d'ajout d'un grand nombre d'aliments ou de l'élévation temporaire de la température de la pièce.





Max Cool (refroidissement maximal) réinitialise la température du tiroir de réfrigération à 32 °F (0 °C) et celle du tiroir de congélation à -3 °F (-19 °C) pour une période de 24 heures.

- Appuyer sur MAX COOL (refroidissement maximal) pour activer la caractéristique de refroidissement maximal.

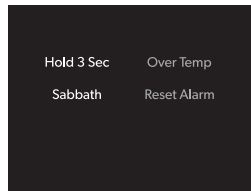
**REMARQUE :** L’affichage de la température reste sur -3 °F (-19 °C) et le témoin lumineux reste allumé pendant une période de 24 heures à moins que l’un des cas suivants ne se produise :

- L'utilisateur règle la température de l'un des compartiments
- Le mode Cool Off (refroidissement désactivé) est activé (par l'utilisateur)
- Le mode Sabbath (Sabbat) est activé (par l'utilisateur)
- Après 24 heures, le tiroir revient au point de réglage de température précédent et le témoin lumineux s'éteint.

**REMARQUE :** Si le point de réglage de température précédent se situe sur Soft Serve (crème glacée molle) dans le tiroir de congélation, la température retourne à la température recommandée (0 °F/-17 °C) une fois Max Cool (refroidissement maximal) terminé.

### Sabbath Mode (mode Sabbat)

Le mode Sabbath (Sabbat) est conçu pour les personnes qui partent en voyage ou pour les celles dont les pratiques religieuses requièrent l'extinction des lumières. La sélection de cette caractéristique ne change pas les points de réglage de température mais l'éclairage du tableau de commande, les lampes internes, et la commande des signaux sonores se désactivent. Pour un fonctionnement optimal du tiroir de réfrigération, il est recommandé de quitter le mode Sabbat lorsque celui-ci n'est plus nécessaire.



- Appuyer sur SABBATH (Sabbat) pendant 3 secondes pour activer la caractéristique. Après un décompte de 3 secondes, la caractéristique s'active et tous les autres affichages s'éteignent.
- Appuyer sur SABBATH (Sabbat) pendant 3 secondes pour désactiver la caractéristique et allumer l'affichage.

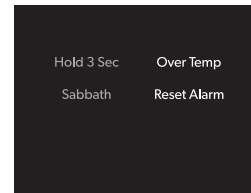
### Drawer Open (tiroir ouvert)

Si l'un des tiroirs est ouvert pendant plus de 5 minutes, une alarme est émise toutes les 2 minutes jusqu'à la fermeture de tous les tiroirs ou l'appui sur une commande.

### Over Temp Alarm (alarme de dépassement de température)

**REMARQUE :** Si l'alarme de dépassement de température s'active, les aliments peuvent se gâter. Voir "Pannes de courant". Minimiser l'ouverture des tiroirs jusqu'à ce que les températures reviennent à la normale.

La caractéristique Over Temp (dépassement de température) est conçue pour avertir l'utilisateur lorsque la température du tiroir de réfrigération dépasse 45 °F (7 °C) ou lorsque celle du tiroir de congélation dépasse 6 °F (-14 °C) pendant 4 heures ou plus. L'alarme sonore s'éteint automatiquement lorsque la température revient à la normale. Le témoin lumineux continue de clignoter jusqu'à ce que l'on appuie sur la touche Reset Alarm (réinitialisation de l'alarme) pour avertir l'utilisateur qu'une condition de dépassement de la température est survenue.



S'il y a encore un dépassement de la température après une réinitialisation, le témoin lumineux continuera de se réactiver toutes les 4 heures jusqu'à ce que les températures du réfrigérateur et du congélateur descendent en-dessous de 45 °F (7 °C) et 15 °F (-9 °C), respectivement.

**REMARQUE :** Ces caractéristiques n'apparaissent pas sur la commande à moins qu'un dépassement de la température ne se produise et qu'une réinitialisation de l'alarme soit nécessaire.

### Mode Showroom (exposition)

Ce mode est utilisé uniquement lorsque le réfrigérateur est en exposition dans le magasin. Si le mode Showroom (exposition) est activé involontairement, Cool Off (refroidissement désactivé) s'allume sur l'affichage et les commandes semblent fonctionner correctement. Quitter le mode Showroom (exposition) en appuyant simultanément sur COOL ON (refroidissement activé) et SABBATH (sabbat) pendant 3 secondes.

## Machine à glaçons et système de filtration d'eau (Tiroirs de réfrigération/congélation uniquement)

**IMPORTANT :** Après avoir raccordé le réfrigérateur à l'alimentation en eau ou remplacé le filtre à eau, remplir et jeter trois récipients entiers de glaçons pour que le filtre à eau soit prêt à être utilisé avant d'utiliser les glaçons.

### Mise en marche/arrêt de la machine à glaçons

**IMPORTANT :** Utiliser le clavier tactile de la machine à glaçons situé sur le tableau de commande pour mettre en marche ou arrêter la machine à glaçons. Ne pas ajuster le bras de commande se trouvant sur la machine à glaçons.



- Appuyer sur la touche tactile ICEMAKER (machine à glaçons) pour mettre en marche la machine à glaçons. Le témoin lumineux s'allume lorsque la machine est allumée.
- Appuyer sur la touche tactile ICEMAKER (machine à glaçons) pour éteindre la machine à glaçons.

### NE PAS OUBLIER :

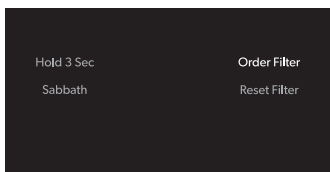
- Prévoir un délai de 24 heures pour la production du premier lot de glaçons.
- La qualité des glaçons dépend de la qualité de l'eau fournie à la machine à glaçons.
- Éviter de connecter la machine à glaçons à une alimentation en eau adoucie. Les produits chimiques adoucisseurs d'eau (tels que le sel) peuvent endommager certaines pièces de la machine à glaçons et entraîner une mauvaise qualité de glaçons. Si une alimentation en eau adoucie ne peut être évitée, s'assurer que l'adoucisseur d'eau fonctionne bien et qu'il est bien entretenu.
- Ne rien conserver à l'intérieur du bac à glaçons.

## Système de filtration d'eau

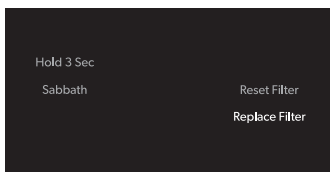
Ne pas utiliser pour le filtrage d'une eau microbiologiquement polluée ou de qualité inconnue en l'absence d'un dispositif de désinfection adéquat avant ou après le système.

## Indicateur de filtre à eau / réinitialisation du filtre

Le témoin du filtre à eau vous aidera à savoir quand changer le filtre à eau. Le témoin lumineux passe de sombre à jaune lorsque le moment est venu de commander un nouveau filtre.



Le témoin lumineux passe ensuite du jaune au rouge lorsque le moment est venu de changer le filtre à eau.



Le filtre à eau jetable doit être remplacé au moins tous les 6 mois. Après avoir changé le filtre à eau, réinitialiser le témoin lumineux du filtre à eau.

- Appuyer sur RESET FILTER (réinitialisation du filtre) pendant 3 secondes. Le témoin lumineux s'éteint.

**REMARQUE :** Ces caractéristiques n'apparaissent pas sur votre commande tant qu'il n'est pas nécessaire de commander ou de remplacer le filtre.

## Remplacement du filtre à eau

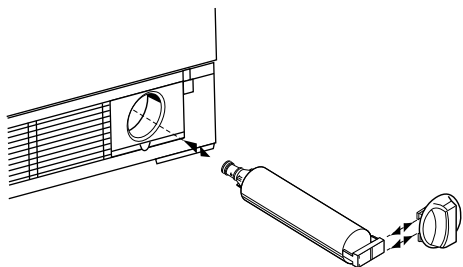
Le filtre à eau se trouve au travers de la grille de la base. Il n'est pas nécessaire de retirer la grille de la base afin de changer le filtre à eau.

1. Repérer le couvercle du filtre à eau dans la grille de la base avant. Tourner le couvercle dans le sens antihoraire en position verticale et extraire ensuite le couvercle et le filtre de la grille de la base.

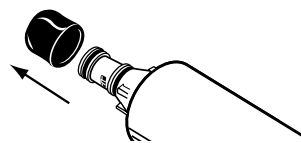
**REMARQUE :** Il y aura de l'eau dans le filtre. Il est possible qu'il y ait un déversement.

2. Retirer le couvercle du filtre en le faisant glisser hors de l'extrémité de l'ancien filtre. Le couvercle glissera vers la gauche ou vers la droite.

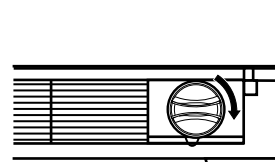
**IMPORTANT :** Ne pas jeter le couvercle. Il fait partie de votre réfrigérateur. Conserver le couvercle pour l'utiliser avec le filtre de rechange.



3. Retirer le filtre neuf de son emballage, puis retirer les protections des anneaux d'étanchéité.



4. Faire glisser le couvercle du filtre sur le nouveau filtre à eau. Voir l'illustration à l'étape 2.
5. Le couvercle du filtre étant en position verticale, insérer le nouveau filtre dans la grille de la base jusqu'à la butée d'arrêt. Tourner le couvercle de la cartouche dans le sens horaire jusqu'à ce qu'il soit en position horizontale.



## Utilisation de la machine à glaçons sans filtre à eau

Il est possible de faire fonctionner la machine à glaçons sans utiliser de filtre à eau. L'eau ne sera pas filtrée.

1. Faire glisser le couvercle du filtre vers l'extrémité du filtre à eau. Avec le couvercle du filtre en position horizontale, insérer le couvercle dans la grille de la base jusqu'à la butée d'arrêt.

**IMPORTANT :** Ne pas jeter le couvercle. Il fait partie de votre réfrigérateur. Conserver le couvercle pour l'utiliser avec un filtre de rechange.

## ENTRETIEN DES TIROIRS RÉFRIGÉRÉS

### Nettoyage

#### **AVERTISSEMENT**



#### Risque d'explosion

Utiliser un produit de nettoyage ininflammable.

Le non-respect de cette instruction peut causer un décès, une explosion ou un incendie.

Les tiroirs se dégivrent automatiquement. Toutefois, nettoyer les deux tiroirs environ une fois par mois pour éviter une accumulation d'odeurs. Essuyer les renversements immédiatement.

#### Pour nettoyer les tiroirs réfrigérés :

1. Laver à la main, rincer et sécher parfaitement les surfaces internes. Utiliser une éponge propre ou un linge doux et un détergent doux dans de l'eau tiède.

- Ne pas utiliser de nettoyeurs abrasifs ou puissants tels que les nettoyeurs à vitre en atomiseurs, nettoyeurs à récureur, liquides inflammables, cires nettoyantes, détergents concentrés, produits de blanchiment ou nettoyeurs contenant du pétrole sur les pièces en plastique, les garnitures intérieures et de tiroir ou les joints de tiroir. Ne pas utiliser d'essuie-tout, tampons à récureur ou autres outils de nettoyage abrasifs. Ces produits risquent d'égratigner ou d'endommager les matériaux.
  - Pour aider à éliminer les odeurs, on peut laver les parois intérieures avec un mélange d'eau tiède et de bicarbonate de soude (2 c. à soupe pour 1 pinte [26 g pour 0,95 L] d'eau).
2. Laver les surfaces extérieures en acier inoxydable ou peintes avec une éponge propre ou un linge doux et un détergent doux dans de l'eau tiède. Ne pas utiliser de nettoyeurs abrasifs ou forts. Sécher parfaitement avec un linge doux. Afin d'éviter d'endommager les parties métalliques extérieures peintes, appliquer de la cire pour appareil électroménager (ou cire en pâte pour automobiles) à l'aide d'un chiffon propre et doux. Ne cirez pas les pièces en plastique.

**REMARQUE :** Pour que vos tiroirs réfrigérés en acier inoxydable conservent leur aspect neuf et pour enlever les petites égratignures ou marques, il est suggéré d'utiliser le nettoyeur et poli pour acier inoxydable approuvé par le fabricant. Pour commander le nettoyeur, voir "Accessoires".

**IMPORTANT :** Ce nettoyeur doit être utilisé sur les pièces en acier inoxydable uniquement!

Veiller à ce que le nettoyeur et poli pour acier inoxydable n'entre pas en contact avec les pièces de plastique telles que garnitures ou joints de tiroir. En cas de contact accidentel, nettoyer la pièce de plastique avec une éponge et un détergent doux et de l'eau tiède. Sécher parfaitement avec un linge doux.

## Pannes de courant

Si le service doit être interrompu pendant 24 heures ou moins, garder les deux tiroirs réfrigérés fermés pour aider les aliments à demeurer froids.

Si le service doit être interrompu pendant plus de 24 heures, faire l'une des choses suivantes :

- Placer tous les aliments périssables dans une glacière ou un casier frigorifique avec de la glace carbonique.
- À défaut de glacière ou de casier frigorifique disponible, consommer les aliments s'ils sont encore froids ou jeter immédiatement les denrées périssables.

## Entretien avant les vacances

Les tiroirs de réfrigération sont équipés de la caractéristique du mode Sabbath (Sabbat). En sélectionnant cette caractéristique, les points de réglage de température restent inchangés et les lampes intérieures s'éteignent. Pour un fonctionnement optimal des tiroirs de réfrigération, il est recommandé de quitter le mode Sabbath (Sabbat) lorsque celui-ci n'est plus nécessaire.

**Si vous choisissez de laisser les tiroirs de réfrigération en fonctionnement pendant votre absence :**

1. Consommer toutes les denrées périssables et congeler les autres articles.
2. Appuyer sur SABBATH (Sabbat) pendant 3 secondes. À la fin du décompte, l'affichage et les lampes s'éteignent mais le réfrigérateur poursuit son fonctionnement normal.
3. À votre retour de vacances, appuyer sur SABBATH (Sabbat) pendant 3 secondes pour revenir au fonctionnement normal.

**Si vous choisissez d'arrêter le fonctionnement des tiroirs de réfrigération avant votre départ :**

1. Enlever tous les aliments des tiroirs de réfrigération.
2. Régler le tableau de commande des tiroirs supérieur et inférieur sur OFF (arrêt). Voir "Utilisation des commandes".
3. Nettoyer les tiroirs de réfrigération, bien les essuyer et les sécher.
4. À l'aide d'un ruban adhésif, placer des blocs de caoutchouc ou de bois dans la partie supérieure de chaque tiroir de façon à ce qu'ils soient suffisamment ouverts pour permettre l'entrée de l'air à l'intérieur. Ceci évite l'accumulation d'odeurs ou de moisissure.

## DÉPANNAGE

**Essayer d'abord les solutions suggérées ici afin d'éviter le coût d'une intervention de dépannage inutile.**

**Les tiroirs de réfrigération ne fonctionnent pas**

### ⚠ AVERTISSEMENT



**Risque de choc électrique**

**Brancher sur une prise à 3 alvéoles reliée à la terre.**

**Ne pas enlever la broche de liaison à la terre.**

**Ne pas utiliser un adaptateur.**

**Ne pas utiliser un câble de rallonge.**

**Le non-respect de ces instructions peut causer un décès, un incendie ou un choc électrique.**

- **Le cordon d'alimentation électrique est-il débranché?** Brancher l'appareil sur une prise de courant à 3 alvéoles, reliée à la terre.
- **Un fusible du domicile est-il grillé ou le disjoncteur s'est-il déclenché?** Remplacer le fusible ou réenclencher le disjoncteur. Si le problème persiste, appeler un électricien.
- **La commande du réfrigérateur est-elle réglée sur Cool Off (refroidissement désactivé)?** Voir "Utilisation des commandes".
- **Les tiroirs de réfrigération ne refroidissent pas?** Les arrêter et les remettre en marche de nouveau pour les réinitialiser. Voir "Utilisation des commandes". Si cela ne résout pas le problème, faire un appel de service.

**Le moteur semble fonctionner excessivement**

- **La température de la pièce est-elle plus élevée que d'habitude?** Le moteur fonctionnera plus longtemps dans des conditions de chaleur. À des températures ambiantes normales, prévoir que le moteur fonctionne à peu près 80 % du temps. Dans des conditions de chaleur, il fonctionnera encore plus longtemps.
- **A-t-on ajouté une grande quantité d'aliments dans les tiroirs de réfrigération?** L'ajout d'une grande quantité d'aliments réchauffe les tiroirs de réfrigération. Le moteur fonctionnera normalement plus longtemps pour refroidir les tiroirs de réfrigération.

- **Les tiroirs sont-ils fréquemment ouverts?** Le moteur fonctionnera plus longtemps dans ce cas. Conserver l'énergie en sortant tous les articles en une seule fois, en rangeant les aliments de façon organisée et en fermant le tiroir le plus vite possible.
- **Les réglages sont-ils incorrects pour les conditions existantes?** Voir "Utilisation des commandes".
- **Les tiroirs sont-ils fermés complètement?** Fermer les tiroirs fermement. S'ils ne ferment pas complètement, voir "Les tiroirs ne ferment pas complètement" plus loin dans cette section.
- **Les joints du tiroir sont-ils hermétiques sur tout le contour?** Contacter un technicien ou une autre personne qualifiée.

---

### Les tiroirs de réfrigération semblent faire trop de bruit

---

Les sons peuvent être normaux pour vos tiroirs de réfrigération. Voir "Sons normaux".

---

### La cloison entre les deux compartiments est tiède

---

La température tiède est probablement attribuable à un fonctionnement normal du réglage automatique de l'humidité de l'extérieur. Si ceci vous inquiète, faire un appel de service.

---

### La température est trop élevée

---

- **Les ouvertures d'aération sont-elles bloquées dans un compartiment ou l'autre?** Ceci empêche l'air froid de circuler entre les compartiments. Enlever tous objets placés devant les ouvertures d'aération. Voir "Pour assurer une circulation d'air correcte" pour savoir où se trouvent les ouvertures d'aération.
- **Les tiroirs sont-ils fréquemment ouverts?** Le tiroir réfrigéré se réchauffera dans ce cas. Garder les tiroirs de réfrigération froids en sortant tous les articles en une seule fois, en rangeant les aliments de façon organisée et en fermant la porte le plus vite possible.
- **A-t-on ajouté une grande quantité d'aliments dans les tiroirs de réfrigération?** L'ajout d'une grande quantité d'aliments réchauffe les tiroirs de réfrigération. Plusieurs heures peuvent être nécessaires pour que les tiroirs de réfrigération reviennent à la température normale.
- **Les commandes sont-elles correctement réglées pour les conditions environnantes?** Voir "Utilisation des commandes".
- **Les tiroirs de réfrigération ne refroidissent pas?** Les arrêter et les remettre en marche de nouveau pour les réinitialiser. Voir "Utilisation des commandes". Si cela ne résout pas le problème, faire un appel de service.

---

### Il y a accumulation d'humidité à l'intérieur

---

- **Les ouvertures d'aération sont-elles bloquées dans les tiroirs de réfrigération?** Enlever tous objets placés devant les ouvertures d'aération. Voir "Pour assurer une circulation d'air correcte" pour savoir où se trouvent les ouvertures d'aération.
- **Les tiroirs sont-ils fréquemment ouverts?** Éviter l'accumulation d'humidité en sortant tous les articles en une seule fois, en rangeant les aliments de façon organisée et en fermant le tiroir le plus vite possible.
- **La pièce est-elle humide?** Il est normal que de l'humidité s'accumule à l'intérieur des tiroirs de réfrigération lorsque l'air dans la pièce est humide.
- **Les aliments sont-ils bien emballés?** Vérifier que tous les aliments sont bien emballés. Sécher les récipients alimentaires humides avant de les placer dans les tiroirs de réfrigération.
- **Les commandes sont-elles correctement réglées pour les conditions environnantes?** Voir "Utilisation des commandes".

---

### Les tiroirs ne ferment pas complètement

---

- **Les aliments emballés empêchent-ils le tiroir de fermer?** Réorganiser les contenants de sorte qu'ils soient plus rapprochés et prennent moins d'espace.

---

### Les tiroirs sont difficiles à ouvrir

---

## AVERTISSEMENT



### Risque d'explosion

Utiliser un produit de nettoyage ininflammable.

**Le non-respect de cette instruction peut causer un décès, une explosion ou un incendie.**

- **Les joints sont-ils collants ou sales?** Nettoyer les joints et la surface qu'ils touchent. Frotter une fine couche de paraffine sur les joints après le nettoyage.

---

# ASSISTANCE OU SERVICE

---

Avant de faire un appel pour assistance ou service, veuillez consulter la section "Dépannage". Cette vérification peut vous faire économiser le coût d'une visite de service. Si vous avez encore besoin d'aide, suivre les instructions ci-dessous.

Lors d'un appel, veuillez connaître la date d'achat et les numéros de modèle et de série au complet de votre appareil. Ces renseignements nous aideront à mieux répondre à votre demande.

## Si vous avez besoin de pièces de rechange

Si vous avez besoin de commander des pièces de rechange, nous vous recommandons d'utiliser seulement les pièces de rechange spécifiées par l'usine. Les pièces de rechange spécifiées par l'usine fonctionneront bien et fonctionneront bien parce qu'elles sont fabriquées selon les mêmes spécifications précises utilisées pour fabriquer chaque nouvel appareil Jenn-Air.

Pour savoir où trouver des pièces de rechange spécifiées par l'usine dans votre région, nous appelons ou contacter le centre de service désigné le plus proche.

---

## Aux États-Unis

Téléphoner au Centre pour l'expérience de la clientèle de Jenn-Air sans frais au : **1-800-JENNAIR (1-800-536-6247)**.

### Nos consultants fournissent de l'assistance pour :

- Caractéristiques et spécifications de notre gamme complète d'appareils ménagers.
- Renseignements d'installation.
- Procédés d'utilisation et d'entretien.
- Vente d'accessoires et de pièces de rechange.
- Assistance spécialisée au client (langue espagnole, malentendants, malvoyants, etc.).
- Les références aux concessionnaires, compagnies de service de réparation et distributeurs de pièces de rechange locaux. Les techniciens de service désignés par Jenn-Air sont formés pour remplir la garantie des produits et fournir un service après garantie partout aux États-Unis.

Pour localiser la compagnie de service désignée par Jenn-Air dans votre région, vous pouvez également consulter les Pages jaunes.

### Pour plus d'assistance

Si vous avez besoin de plus d'assistance, vous pouvez écrire à Jenn-Air en soumettant toute question ou problème à :

Jenn-Air Brand Home Appliances  
Centre pour l'expérience de la clientèle  
553 Benson Road  
Benton Harbor, MI 49022-2692

Dans votre correspondance, veuillez indiquer un numéro de téléphone où l'on peut vous joindre dans la journée.

---

## Au Canada

Téléphoner sans frais au Centre d'expérience à la clientèle de Jenn-Air Canada au : **1-800-JENNAIR (1-800-536-6247)**.

### Nos consultants fournissent de l'assistance pour :

- Caractéristiques et spécifications de notre gamme complète d'appareils ménagers.
- Procédés d'utilisation et d'entretien.
- Vente d'accessoires et de pièces de rechange.
- Les références aux concessionnaires, compagnies de service de réparation et distributeurs de pièces de rechange locaux. Les techniciens de service désignés par Jenn-Air Canada sont formés pour remplir la garantie des produits et fournir un service après garantie partout au Canada.

### Pour plus d'assistance

Si vous avez besoin de plus d'assistance, vous pouvez écrire à Jenn-Air Canada en soumettant toute question ou problème à :

Jenn-Air Brand Home Appliances  
Centre pour l'expérience de la clientèle  
200 – 6750 Century Ave.  
Mississauga, Ontario L5N 0B7

Dans votre correspondance, veuillez indiquer un numéro de téléphone où l'on peut vous joindre dans la journée.

---

## Accessoires

Pour commander des accessoires, composer le **1-800-JENNAIR (1-800-536-6247)** et demander le numéro de pièce approprié ci-dessous ou contacter votre marchand autorisé Jenn-Air.

### Filtre à eau de rechange :

Commander la pièce n° 4396701

### Nettoyant pour appareil ménager et cuisine affresh® :

Aux É.-U., commander la pièce n° W10355010  
Au Canada, commander la pièce n° W10355010B

### Nettoyant pour acier inoxydable affresh® :

Aux É.-U., commander la pièce n° W10355016  
Au Canada, commander la pièce n° W10355016B



# FEUILLES DE DONNÉES SUR LE PRODUIT

## Système de filtration d'eau à la grille de la base Modèle WF-L200V Capacité 200 gallons (757 litres) Modèle WF-NL120V Capacité 120 gallons (454 litres)



Produit testé et certifié par NSF International en vertu de la norme ANSI/NSF 42 (réduction du goût et de l'odeur du chlore, et particules (classe III\*); et en vertu de la norme ANSI/NSF 53 (réduction de plomb, mercure, benzène, et p-dichlorobenzène).

Ce produit a été testé selon les normes 42 et 53 ANSI/NSF pour la réduction des substances énumérées ci-dessous. La concentration des substances indiquées dans l'eau entrant dans le système a été réduite à une concentration moindre ou égale à la limite permmissible pour l'eau qui quitte le système, tel que spécifié dans 42 et 53 ANSI/NSF.

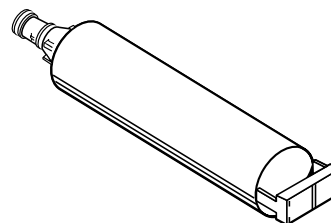
Réd. de substances Effets esthétiques	Critères de réduction NSF	Affluent moyen	Concentration dans l'eau à traiter	Effluent maximal	Effluent moyen	% de réd. minimale	% de réd. moyenne
Goût/odeur de chlore Particules (classe III*)	≥50 % ≥85 %	1,9 mg/L 49 333/mL	2,0 mg/L ± 10 % Au moins 10 000 particules/ mL	0,07 mg/L 640 mg/L**	0,06 mg/L 312 mg/L	>75 % 98,7 %	>75 % 99 %
Réduction de contaminant	Critères de réduction NSF	Affluent moyen	Concentration dans l'eau à traiter	Effluent maximal	Effluent moyen	% de réd. minimale	% de réd. moyenne
Plomb : à pH 6,5 Plomb : à pH 8,5	0,01mg/L 0,01mg/L	0,14 mg/L*** 0,15 mg /L***	0,15 mg/L ± 10% 0,15 mg/L ± 10%	0,0014 mg/L 0,0069 mg/L	0,0011 mg/L 0,0042 mg/L	99,0 % 95,4 %	99,21 % 97,08 %
Mercure : à pH 6,5 Mercure : à pH 8,5	0,002 mg/L 0,002 mg/L	0,0059 mg/L 0,0054 mg /L	0,006 mg/L ± 10% 0,006 mg/L ± 10%	0,0009 mg/L 0,0007 mg/L	0,0004 mg/L 0,00043 mg/L	84,74 % 87,03 %	92,47 % 91,93 %
Benzène	0,0050 mg/L	0,0157 mg/L	0,015 ± 10 %	0,002 mg/L	0,00083 mg/L	87,26 %	94,71 %
p-dichlorobenzène	0,075 mg/L	0,210 mg/L	0,225 ± 10 %	0,0005 mg/L	0,0005 mg/L	99,76 %	99,76 %

Paramètres de test : pH = 7,5 ± 0,5 à moins d'indications contraires. Débit = 0,5 gpm (1,9 Lpm). Pression = 60 lb/po<sup>2</sup> (413,7 kPa).  
Température = 63°F (17,2°C).

- Il est essentiel que les exigences de fonctionnement, d'entretien et de remplacement de filtre soient respectées pour que ce produit donne le rendement annoncé.
- **Modèle WF-L200V** : Le système de contrôle du filtre mesure la quantité d'eau qui passe par le filtre et vous signale quand remplacer le filtre. Lorsque 90 % de la vie nominale du filtre est écoulée, le témoin lumineux du filtre passe du vert au jaune. Lorsque 100 % de la vie nominale du filtre est écoulée, le témoin lumineux du filtre passe du jaune au rouge et il est recommandé de remplacer le filtre. Utiliser la cartouche de remplacement L200V / NL120V, pièce n° 4396702. Prix au détail suggéré 2014 de 32,99 \$US/49,99 \$CAN. Les prix sont sujets à des changements sans préavis.
- **Modèle WF-NL120V** : Changer la cartouche du filtre à eau tous les 6 à 9 mois. Utiliser la cartouche de remplacement L200V / NL120V, pièce n° 4396702. Prix au détail suggéré 2014 de 32,99 \$US/49,99 \$CAN. Les prix sont sujets à des changements sans préavis.
- Le produit ne doit être utilisé que pour l'eau froide seulement.
- Ne pas utiliser pour le filtrage d'une eau microbiologiquement polluée ou de qualité inconnue en l'absence d'un dispositif de désinfection adéquat avant ou après le système.
- Veuillez vous référer à la couverture ou à la section "Accessoires" pour le nom, l'adresse et le numéro de téléphone du fabricant.
- Veuillez vous référer à la section "Garantie" pour la garantie limitée du fabricant.

### Directives d'application/ Paramètres d'approvisionnement en eau

Approvisionnement en eau	Collectivité ou puits
Pression d'eau	30 - 120 lb/po <sup>2</sup> (207 - 827 kPa)
Température d'eau	33° - 100°F (0,6° - 37,8° C)
Débit nominal	0,5 gpm (1,89 L/min.) à 60 lb/po <sup>2</sup>



\*Classe III - taille des particules : > 5 à <15 µm

\*\*Exigence de test : au moins 10 000 particules/mL (poussière de test fine AC).

\*\*\*Ces contaminants ne sont pas nécessairement présents dans votre approvisionnement d'eau. Le rendement peut varier selon les conditions locales de l'eau.

® NSF est une marque déposée de NSF International.



# GARANTIE LIMITÉE DES APPAREILS DE RÉFRIGÉRATION JENN-AIR®

ATTACHEZ ICI VOTRE REÇU DE VENTE. UNE PREUVE D'ACHAT EST OBLIGATOIRE POUR OBTENIR L'APPLICATION DE LA GARANTIE.

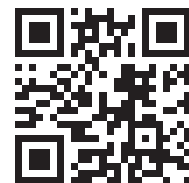
Lorsque vous appelez le centre d'eXpérience de la clientèle, veuillez garder à disposition les renseignements suivants :

- Nom, adresse et numéro de téléphone
- Numéros de modèle et de série
- Une description claire et détaillée du problème rencontré
- Une preuve d'achat incluant le nom et l'adresse du marchand ou du détaillant

## SI VOUS AVEZ BESOIN DE SERVICE :

1. Avant de nous contacter pour obtenir un dépannage, veuillez déterminer si des réparations sont nécessaires pour votre produit. Certains problèmes peuvent être résolus sans intervention de dépannage. Prenez quelques minutes pour parcourir la section Dépannage ou Résolution de problèmes du guide d'utilisation et d'entretien, scannez le code QR ci-contre avec votre téléphone intelligent pour accéder à des ressources supplémentaires, ou rendez-vous sur le site <http://www.jennair.ca>.
2. Tout service sous garantie doit être effectué exclusivement par nos fournisseurs de dépannage autorisés Jenn-Air. Aux E.-U. et au Canada, dirigez toutes vos demandes de service sous garantie au

**Centre d'eXpérience de la clientèle Jenn-Air**  
**1-800-JENNAIR (1-800-536-6247)**



<http://www.jennair.ca>

Si vous résidez à l'extérieur du Canada et des 50 États des États-Unis, contactez votre marchand Jenn-Air autorisé pour déterminer si une autre garantie s'applique.

## GARANTIE LIMITÉE DE CINQ ANS

### CE QUI EST COUVERT

#### GARANTIE LIMITÉE DE DEUX ANS

Pendant deux ans à compter de la date d'achat, lorsque ce gros appareil ménager est installé, utilisé et entretenu conformément aux instructions jointes à ou fournies avec le produit, la marque Jenn-Air de Whirlpool Corporation ou Whirlpool Canada LP (ci-après désignées "Jenn-Air") décidera à sa seule discrétion de remplacer le produit ou de couvrir le coût des pièces de remplacement spécifiées par l'usine et de la main-d'œuvre nécessaires pour corriger les vices de matériaux ou de fabrication qui existaient déjà lorsque ce gros appareil ménager a été acheté. S'il est remplacé, votre appareil restera sous garantie pour la durée restant à courir de la période de garantie sur le produit d'origine.

#### GARANTIE LIMITÉE DE LA TROISIÈME À LA CINQUIÈME ANNÉE INCLUSIVEMENT SUR LA DOUBLURE DE LA CAVITÉ ET SUR LE SYSTÈME DE RÉFRIGÉRATION SCELLÉ

De la troisième à la cinquième année inclusivement à compter de la date d'achat initiale, lorsque ce gros appareil ménager est installé, utilisé et entretenu conformément aux instructions jointes au produit ou fournies avec, la marque Jenn-Air paiera pour les pièces de rechange spécifiées par l'usine et la main-d'œuvre concernant les composants suivants pour corriger les défauts non esthétiques de matériau ou de fabrication de ladite pièce qui empêchent le réfrigérateur de fonctionner et qui étaient déjà présents lorsque ce gros appareil ménager a été acheté :

- Doublure de la cavité du réfrigérateur/congélateur si la pièce se fissure en raison d'un vice de matériau ou de fabrication.
- Système de réfrigération scellé (y compris le compresseur, l'évaporateur, le condenseur, le séchoir et les conduits de connexion).

LE SEUL ET EXCLUSIF RECOURS DU CLIENT DANS LE CADRE DE LA PRÉSENTE GARANTIE LIMITÉE CONSISTE EN LA RÉPARATION PRÉVUE PAR LA PRÉSENTE. Le service doit être fourni par une compagnie de service désignée par Jenn-Air. Cette garantie limitée est valide uniquement aux États-Unis ou au Canada et s'applique exclusivement lorsque le gros appareil ménager est utilisé dans le pays où il a été acheté. La présente garantie limitée est valable à compter de la date d'achat initial par le consommateur. Une preuve de la date d'achat initial est exigée pour obtenir un dépannage dans le cadre de la présente garantie limitée.

### CE QUI N'EST PAS COUVERT

1. Usage commercial, non résidentiel ou par plusieurs familles, ou non-respect des instructions de l'utilisateur, de l'opérateur ou des instructions d'installation.
2. Visite d'instruction à domicile pour montrer à l'utilisateur comment utiliser l'appareil.
3. Visites de service pour rectifier une installation ou un entretien fautifs du produit, une installation non conforme aux codes d'électricité ou de plomberie, ou la rectification de l'installation électrique ou de la plomberie du domicile (ex : câblage électrique, fusibles ou tuyaux d'arrivée d'eau du domicile).
4. Pièces consommables (ex : ampoules, batteries, filtres à air ou à eau, solutions de conservation, etc.).
5. Défauts ou dommage résultant de l'utilisation de pièces ou accessoires Jenn-Air non authentiques.
6. Dommages causés par : accident, mésusage, abus, incendie, inondations, catastrophe naturelle ou l'utilisation de produits non approuvés par Jenn-Air.
7. Réparations aux pièces ou systèmes dans le but de rectifier un dommage ou des défauts résultant d'une réparation, altération ou modification non autorisée faite à l'appareil.
8. Défauts d'apparence, notamment les éraflures, traces de choc, fissures ou tout autre dommage subi par le fini de l'appareil ménager, à moins que ces dommages ne résultent de vices de matériaux ou de fabrication et ne soient signalés à Jenn-Air dans les 30 jours suivant la date d'achat.
9. Décoloration, rouille ou oxydation des surfaces résultant d'environnements caustiques ou corrosifs incluant des concentrations élevées de sel, un haut degré d'humidité ou une exposition à des produits chimiques (exemples non exhaustifs).
10. Perte d'aliments ou de médicaments due à la défaillance du produit.
11. Enlèvement ou livraison. Ce produit est conçu pour être réparé à l'intérieur du domicile.
12. Frais de déplacement et de transport pour le dépannage/la réparation dans une région éloignée où une compagnie de service Jenn-Air autorisée n'est pas disponible.
13. Retrait ou réinstallation d'appareils inaccessibles ou de dispositifs préinstallés (ex : garnitures, panneaux décoratifs, plancher, meubles, îlots de cuisine, plans de travail, panneaux de gypse, etc.) qui entravent le dépannage, le retrait ou le remplacement du produit.
14. Service et pièces pour des appareils dont les numéros de série et de modèle originaux ont été enlevés, modifiés ou ne peuvent pas être facilement identifiés.

**Le coût d'une réparation ou d'un remplacement dans le cadre de ces circonstances exclues est à la charge du client.**

---

**CLAUSE D'EXONÉRATION DE RESPONSABILITÉ AU TITRE DES GARANTIES IMPLICITES**

LES GARANTIES IMPLICITES, Y COMPRIS LES GARANTIES APPLICABLES DE QUALITÉ MARCHANDE OU D'APTITUDE À UN USAGE PARTICULIER, SONT LIMITÉES À UN AN OU À LA PLUS COURTE PÉRIODE AUTORISÉE PAR LA LOI. Certains États et provinces ne permettent pas de limitation sur la durée des garanties implicites de qualité marchande ou d'aptitude à un usage particulier, de sorte que la limitation ci-dessus peut ne pas être applicable dans votre cas. Cette garantie vous confère des droits juridiques spécifiques et vous pouvez également jouir d'autres droits qui peuvent varier d'une juridiction à l'autre.

---

**EXONÉRATION DE RESPONSABILITÉ DANS LES DOMAINES NON COUVERTS PAR LA GARANTIE**

Jenn-Air décline toute responsabilité au titre de la qualité, de la durabilité ou en cas de dépannage ou de réparation nécessaire sur ce gros appareil ménager autre que les responsabilités énoncées dans la présente garantie. Si vous souhaitez une garantie plus étendue ou plus complète que la garantie limitée fournie avec ce gros appareil ménager, adressez-vous à Jenn-Air ou à votre détaillant pour obtenir les modalités d'achat d'une garantie étendue.

---

**LIMITATION DES RECOURS; EXCLUSION DES DOMMAGES FORTUITS OU INDIRECTS**

LE SEUL ET EXCLUSIF RECOURS DU CLIENT DANS LE CADRE DE LA PRÉSENTE GARANTIE LIMITÉE CONSISTE EN LA RÉPARATION PRÉVUE PAR LA PRÉSENTE. JENN-AIR N'ASSUME AUCUNE RESPONSABILITÉ POUR LES DOMMAGES FORTUITS OU INDIRECTS. Certains États et certaines provinces ne permettent pas l'exclusion ou la limitation des dommages fortuits ou indirects de sorte que ces limitations et exclusions peuvent ne pas être applicables dans votre cas. Cette garantie vous confère des droits juridiques spécifiques et vous pouvez également jouir d'autres droits qui peuvent varier d'une juridiction à l'autre.

---



**W10741583B/  
8336460125000**

®/™ ©2015 Jenn-Air. Used under license in Canada. All rights reserved.  
Usada en Canadá bajo licencia. Todos los derechos reservados.  
Utilisé sous licence au Canada. Tous droits réservés.

02/15  
Printed in Mexico  
Impreso en México  
Imprimé au Mexique