

BUILT-IN

MICROWAVE

DRAWER

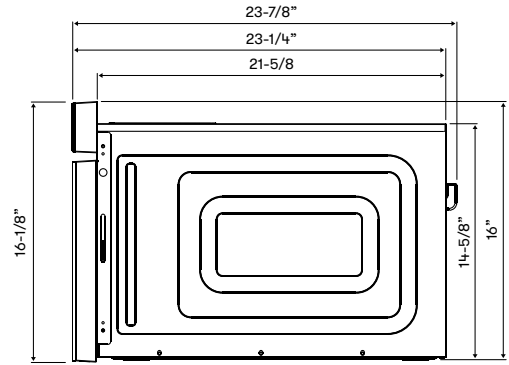
Are you ready for sleek, low-profile design, subtle, under-counter placement and ten power levels? This drawer-style microwave takes you to the next level of ease and convenience. Enjoy a clutter-free countertop and deluxe features like touch open and

close, touch controls, stainless steel exterior, a sensor cook button, quick buttons, and more.

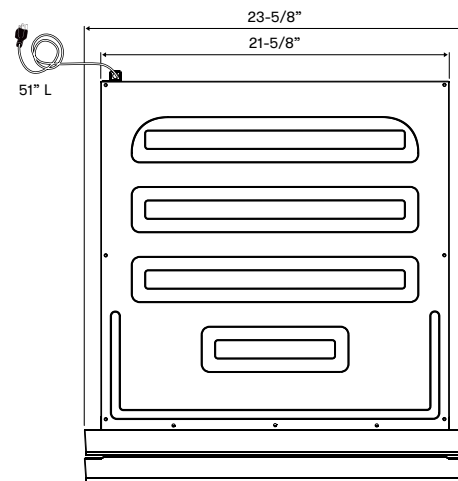
ZEPHYR

ZEPHYRONLINE.COM

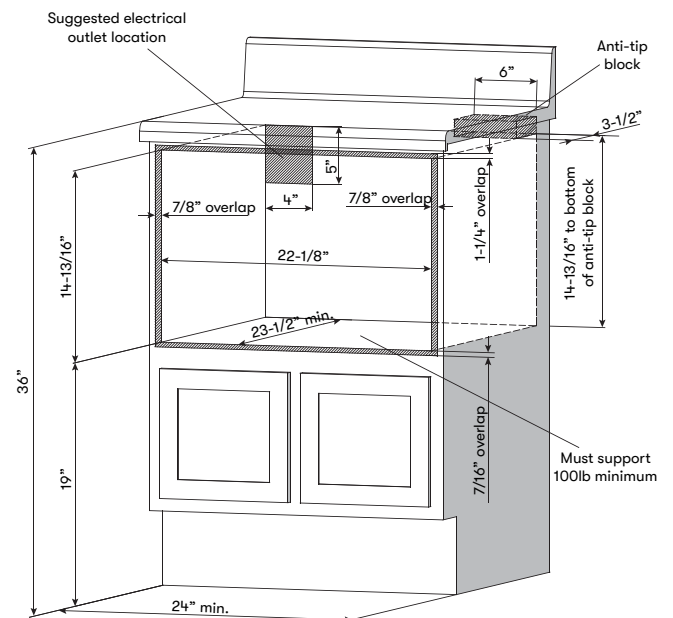
ADA



SIDE



TOP



CABINET CUT-OUT

MODEL

Built-in Microwave Drawer MWD2401AS

Size 24"
 Exterior Dimensions 23-5/8"W x 16-1/8"H x 23-7/8"D
 Interior Dimensions 17-1/4"W x 7-7/8"H x 17-1/2"D
 Weight 70 lbs.
 Installation Type Built-in

KEY FEATURES

Controls Electronic Touch with LCD
 Built-in Clock Yes
 Exterior Finish 304-Grade Stainless Steel
 Interior Finish White
 Interior Lighting Yes
 Easy Clean Coating Yes
 ADA Compliant Yes

CONTROL FEATURES

Touch Open/Close
 Mute On/Off
 10 Power Levels
 Sensor Cook potato, chicken, fish, ground meat, fresh/
 frozen/canned vegetables, frozen entrées
 Sensor Reheat pasta, pizza, soup
 +30 Seconds Button
 Controls Lock
 Kitchen Timer
 Popcorn
 Defrost ground meat, steaks/chops, poultry (no
 bone/in-bone), roast, casserole, soup
 Melt butter, chocolate, ice cream, marshmallow,
 Soften cream cheese, sauces

CAPACITY

Interior Capacity 1.2 cu/ft

TECHNICAL DETAILS

Rated Output 1000W
 AC Power 120V, 60Hz at Max. 15A

WARRANTY

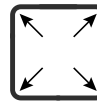
1 year parts, 1 year labor

**Easy Clean Coating**

Smudges? What smudges? Stainless steel door finished with an anti-finger-print coating prevents greasy finger-prints and sticky spills from building up.

**Sensor Cooking**

Precisely done: Sensor cooking measures vapor and humidity while the oven automatically adjusts time and power to yield good results, every time.

**Capacity**

Living large: Expanded capacity means food can go from fridge to microwave in the same container—accommodating a 9"x13" baking dish with ease.