

FISHER & PAYKEL

PROFESSIONAL RANGE

RDV3, RHV3 & RIV3
models

INSTALLATION GUIDE

US CA

⚠ WARNING!

If the information in this manual is not followed exactly, a fire or explosion may result causing property damage, personal injury or death.

Do not store or use gasoline or other flammable vapors and liquids in the vicinity of this or any other appliance.

NEVER use this appliance as a space heater to heat or warm the room. Doing so may result in carbon monoxide poisoning and overheating of the appliance.

What to Do if you Smell Gas


- Do not try to light any appliance.
- Do not touch any electrical switch.
- Do not use any phone in your building.
- Immediately call your gas supplier from a neighbor's phone. Follow the gas supplier's instructions.
- If you cannot reach your gas supplier, call the fire department.

Installation and service must be performed by a qualified installer, service agency or the gas supplier.


⚠ WARNING!


Never operate the top surface cooking section of this appliance unattended.

- Failure to follow this warning statement could result in fire, explosion or burn hazard that could cause property damage, personal injury or death.
- If a fire should occur, keep away from the appliance and immediately call your fire department. Do not attempt to extinguish an oil/grease fire with water

⚠ WARNING!	
	<p>Electric Shock Hazard Failure to follow this advice may result in electrical shock or death.</p> <ul style="list-style-type: none"> • Before carrying out any work on the electrical section of the appliance, it must be disconnected from the mains electricity supply. • Connection to a good ground wiring system is absolutely essential and mandatory. • Alterations to the domestic wiring system must only be made by a qualified electrician

⚠ WARNING!	
	<p>Cut Hazard Failure to use caution could result in injury.</p> <ul style="list-style-type: none"> • Take care: some edges are sharp.

⚠ WARNING!	
	<p>Extremely Heavy Failure to follow this advice may result in damage or personal injury.</p> <ul style="list-style-type: none"> • Proper equipment and adequate manpower must be used in moving the range to avoid personal injury or damage to the unit or the floor. The unit is heavy and rests on adjustable steel legs.

⚠ WARNING!	
	<p>Failure to follow this advice may result in death or serious burns to children of adults.</p> <ul style="list-style-type: none"> • To reduce the risk of tipping the appliance, the appliance must be secured by properly installed anti-tip device packed with the appliance. • A child or adult can tip the range and be killed. • Install the anti-tip device to the structure by fastening the supplied bracket to the floor and wall following the instructions for installing the anti-tip device. • Engage the anti-tip device. • Re-engage the anti-tip device if the range is moved.

SAFETY AND WARNINGS

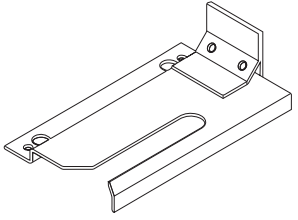
WARNING!

To avoid hazard, follow these instructions carefully before installing or using this appliance.

- Please make this information available to the person installing the appliance - doing so could reduce your installation costs.
- Save these instructions for the local inspectors use.
- This range is to be installed and connected to the electricity supply only by an authorized person.
- If the installation requires alterations to the domestic electrical system, call a qualified electrician. The electrician should also check that the socket cable section is suitable for the electricity drawn by the range.
- Service should only be done by authorized technicians. Technicians must disconnect the power supply before servicing this appliance.
- The range must be grounded.
- Installation must comply with your local building and electricity regulations.
- This appliance must be installed and connected to the mains power supply only by a suitably qualified person according to these installation instructions and in compliance with any applicable local building and electricity regulations. Failure to install the appliance correctly could invalidate any warranty or liability claims.
- Ensure the installer shows the customer where the gas supply shut-off valve is located.
- If the power supply cable is damaged, it must be replaced by the manufacturer, its service agent or similarly qualified person in order to avoid a hazard.
- A circuit breaker is recommended.
- Do not use adaptors, reducers or branching devices to connect the oven to the mains electricity supply, as they can cause overheating and burning.
- Improper installation, adjustment alteration, service or maintenance can cause property damage, injury or death. Read the installation, operating and maintenance instructions thoroughly before using, installing or servicing this appliance.
- A risk of the appliance tipping over exists if the appliance is not installed in accordance with installation instructions.
- DO NOT obstruct the flow of combustion or ventilation air to the appliance. Be sure a fresh air supply is available.
- California Proposition 65 - The burning of gas cooking fuel generates some by-products which are known by the State of California to cause cancer or reproductive harm. California law requires businesses to warn customers of potential exposure to such substances. To minimize exposure to these substances, always operate this unit according to the manufacturer's instructions and provide good ventilation to the room when cooking with gas.
- Check local building codes for the proper method of range installation. Local codes vary. Installation, electrical connections, and grounding must comply with all applicable codes. In the absence of local codes, the range should be installed in accordance with the latest edition of National Fuel Gas Code ANSI Z223.1 and National Electrical Code ANSI/NFPA 70.
- In Canada: Installation must be in accordance with the current CAN/CGA B149.1 & 2 Gas Installation codes and/or local codes. Electrical installation must be in accordance with the current CSA C22.1 Canadian Electrical Codes Part 1 and/or local codes.
- Be sure that the unit being installed is set up for the kind of gas being used. The gas range is shipped from the factory set and adjusted for Natural Gas or LP (propane), depending on the specific model ordered. Verify that the range is compatible with the gas at the installation site before proceeding further. Return range to dealer if the unit is not set for site gas supply.
- The appliance must not be installed behind a decorative door in order to avoid overheating.
- Do not lift the range by the door handle. Doing so may damage the product.
- Before use, ensure all doors are correctly installed.
- Two persons are required to move the product safely to the installation location.

IMPORTANT!
SAVE THESE INSTRUCTIONS

PARTS SUPPLIED FOR INSTALLATION



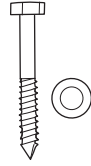
Anti-tip bracket (1)



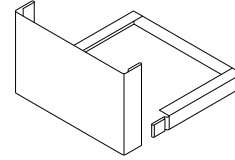
#10 x 2"
wood screws (4)



5/16" x 1 1/2"
sleeve anchors (2)

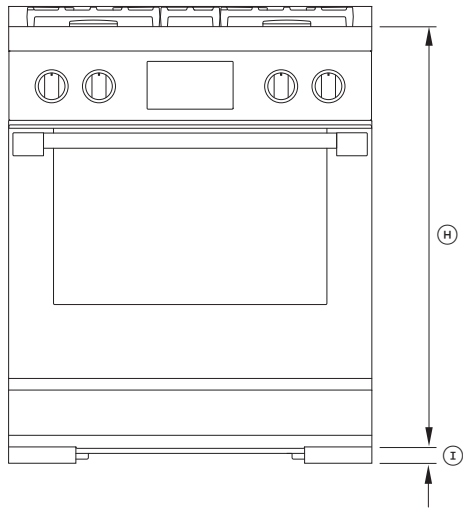


Lag bolts and
washers (2)

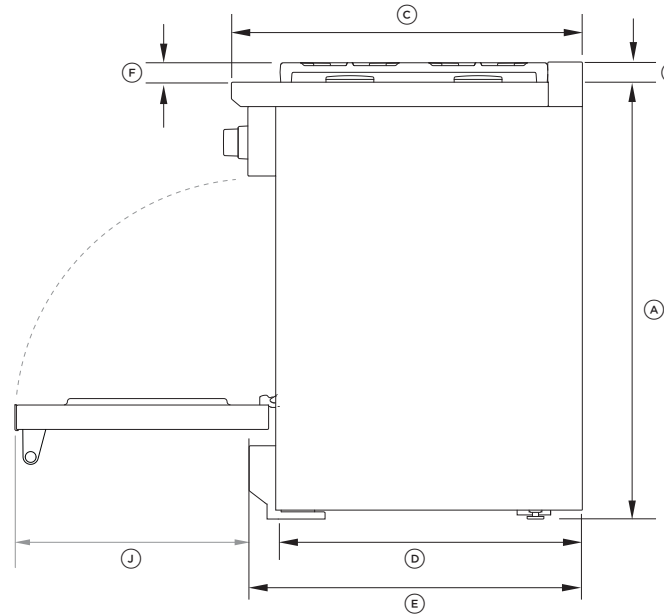


Foot cover
sets (2)

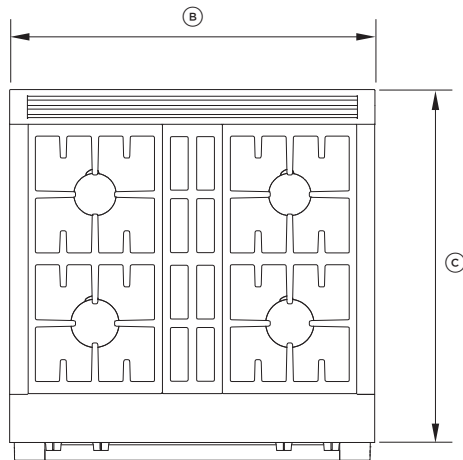
PRODUCT DIMENSIONS - 30" MODELS



FRONT



PROFILE



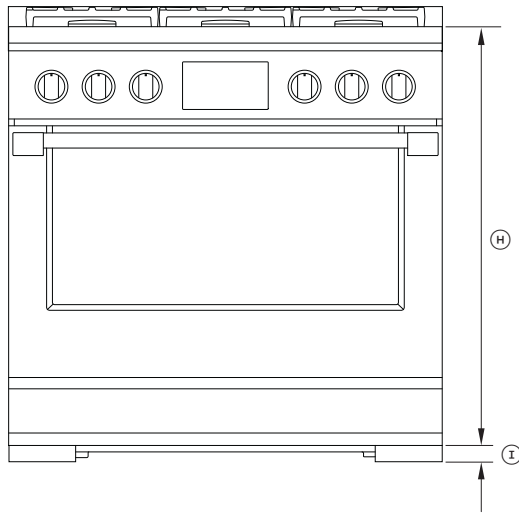
PLAN

PRODUCT DIMENSIONS

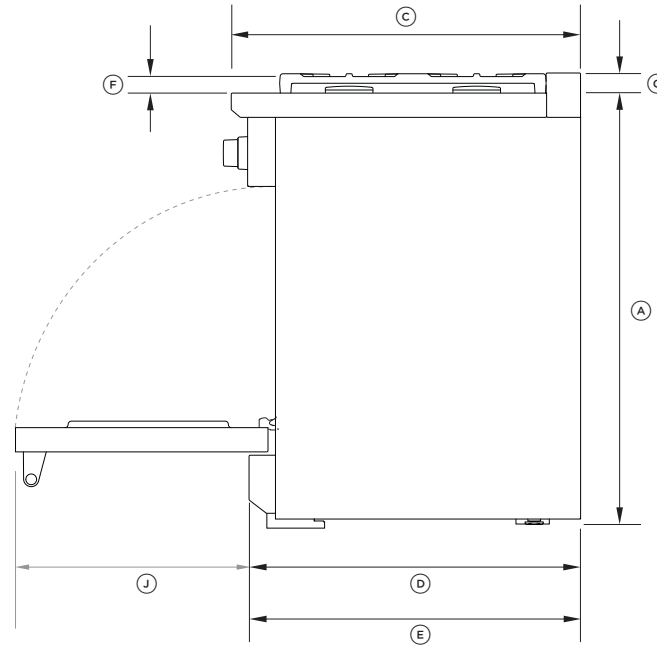
30" MODELS

PRODUCT DIMENSIONS	30" MODELS	
	IN	MM
Ⓐ Overall height of range (from floor to cook surface, excl. pan supports and vent trim)	min 35 3/4 max 36 3/4	min 908 max 933
Ⓑ Overall width of range	29 7/8	759
Ⓒ Overall depth of range (excl. handle and dials)	29 1/8	740
Ⓓ Depth of chassis	25 3/8	644
Ⓔ Depth from rear of chassis to front of control panel	27 11/16	703
Ⓕ Height from top of cook surface to top of pan supports	1 9/16	40
Ⓖ Height from top of cook surface to top of • vent trim (as illustrated) • angled vent trim (if fitted)	1 3/4 3 1/2	45 90
Ⓗ Height from top of cook surface to bottom of chassis	35 1/4	895
Ⓘ Adjustable feet height	min 1/2 max 1 1/2	min 13 max 38
Ⓙ Depth of open door to front control panel	19 1/8	486

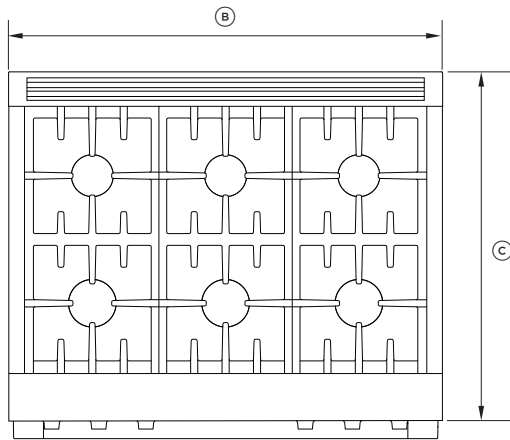
PRODUCT DIMENSIONS - 36" MODELS



FRONT



PROFILE



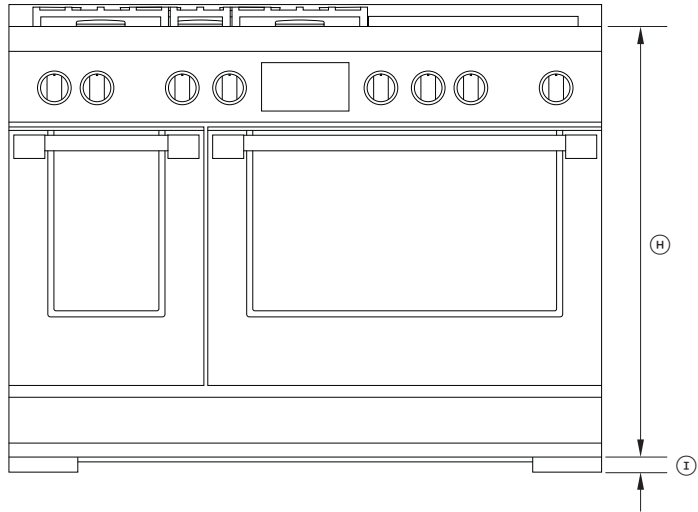
PLAN

PRODUCT DIMENSIONS

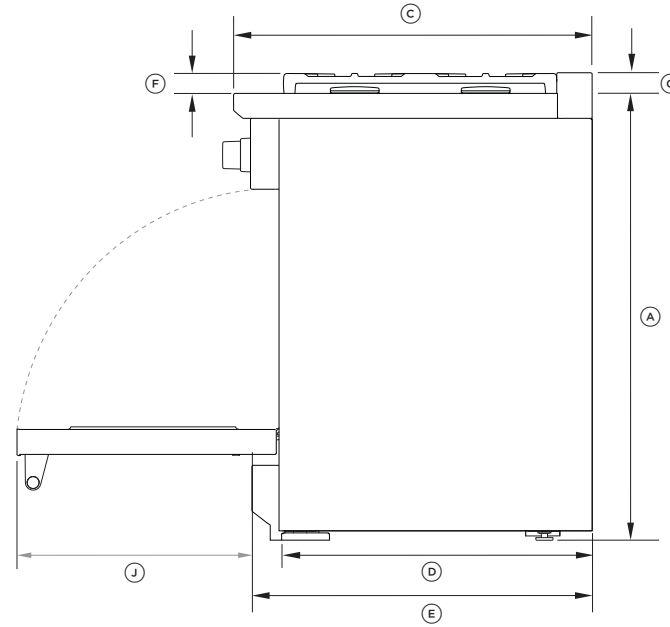
36" MODELS

PRODUCT DIMENSIONS	36" MODELS	
	IN	MM
Ⓐ Overall height of range (from floor to cook surface, excl. pan supports and vent trim)	min 35 3/4 max 36 3/4	min 908 max 933
Ⓑ Overall width of range	35 7/8	911
Ⓒ Overall depth of range (excl. handle and dials)	29 1/8	740
Ⓓ Depth of chassis	25 3/8	644
Ⓔ Depth from rear of chassis to front of control panel	27 11/16	703
Ⓕ Height from top of cook surface to top of pan supports	1 9/16	40
Ⓖ Height from top of cook surface to top of • vent trim (as illustrated) • angled vent trim (if fitted)	1 3/4 3 1/2	45 90
Ⓗ Height from top of cook surface to bottom of chassis	35 1/4	895
Ⓘ Adjustable feet height	min 1/2 max 1 1/2	min 13 max 38
Ⓙ Depth of open door to front control panel	19 1/8	486

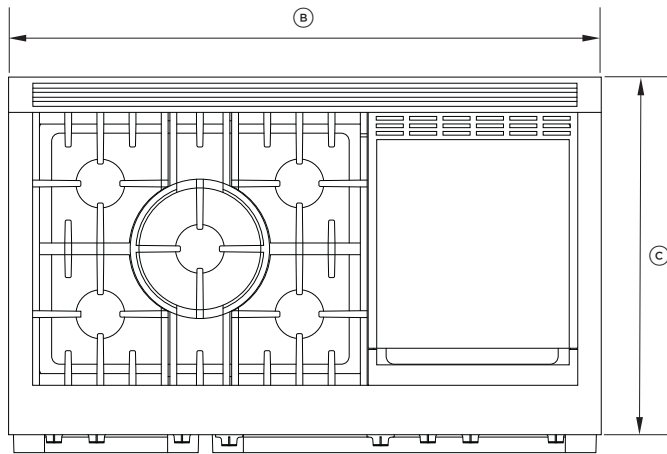
PRODUCT DIMENSIONS - 48" MODELS



FRONT



PROFILE



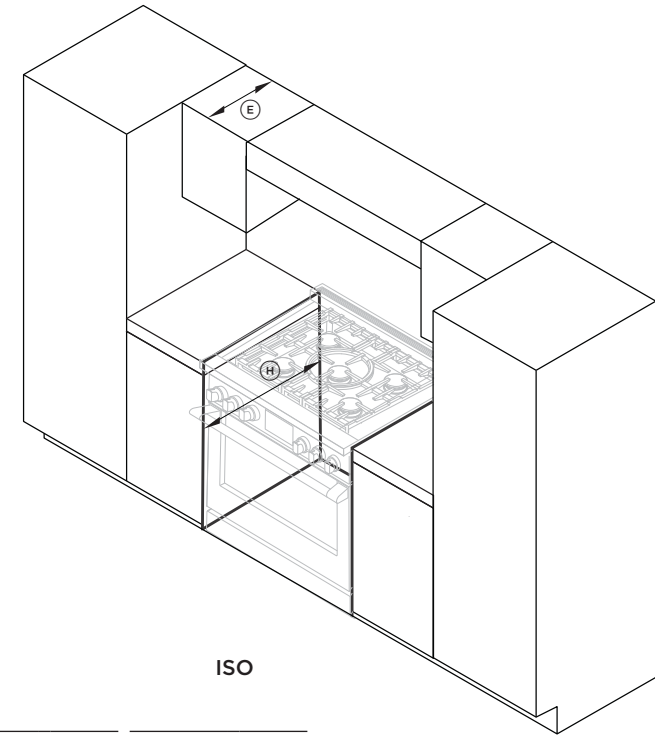
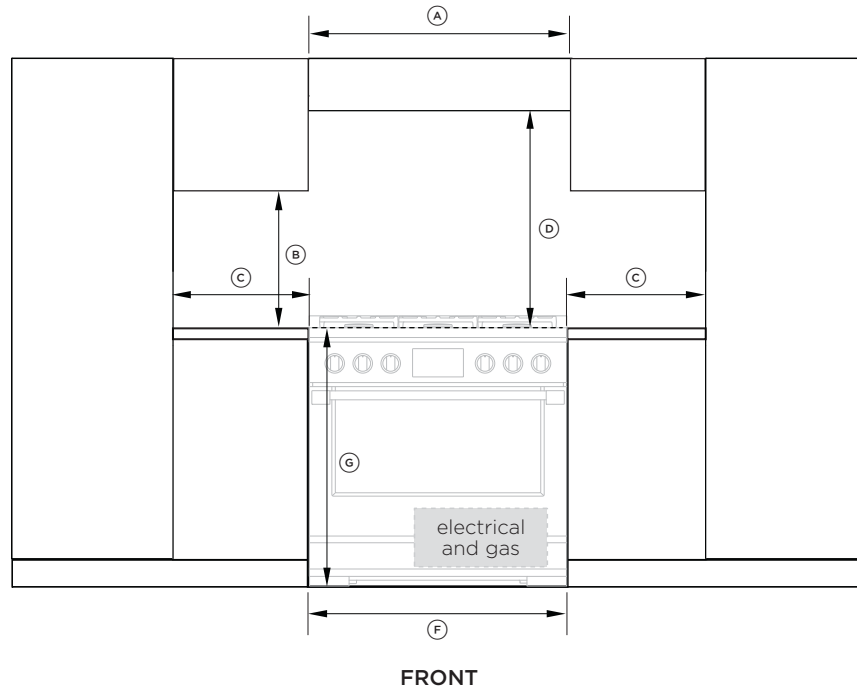
PLAN

PRODUCT DIMENSIONS

48" MODELS

PRODUCT DIMENSIONS	48" MODELS	
	IN	MM
Ⓐ Overall height of range (from floor to cook surface, excl. pan supports and vent trim)	min 35 3/4 max 36 3/4	min 908 max 933
Ⓑ Overall width of range	47 7/8	1216
Ⓒ Overall depth of range (excl. handle and dials)	29 1/8	740
Ⓓ Depth of chassis	25 3/8	644
Ⓔ Depth from rear of chassis to front of control panel	27 11/16	703
Ⓕ Height from top of cook surface to top of gas pan supports	1 9/16	40
Ⓖ Height from top of cook surface to top of		
• vent trim (as illustrated)	1 3/4	45
• angled vent trim (if fitted)	3 1/2	90
Ⓗ Height from top of cook surface to bottom of chassis	35 1/4	895
Ⓘ Adjustable feet height	min 1/2 max 1 1/2	min 13 max 38
Ⓙ Depth of open door to front control panel	19 1/8	486

CLEARANCE DIMENSIONS - GAS AND COMBINATION COOKTOP MODELS



CLEARANCE DIMENSIONS	30" MODELS		36" MODELS		48" MODELS	
	IN	MM	IN	MM	IN	MM
Ⓐ Minimum width of ventilation hood installed above range	30	762	36	914	48	1219
Ⓑ Minimum vertical distance between countertop and cabinet extending above counter	18	457	18	457	18	457
Ⓒ Minimum clearance from left and right edge of range to nearest vertical combustible surface	12	305	12	305	12	305
Ⓓ Minimum clearance from cook surface to:						
• combustible surface centered above the cook surface	54	1372	54	1372	54	1372
• combustible covering for ventilation hood centered above the cook surface*	36	914	36	914	36	914
• non-combustible surface centered above the cook surface*	30	762	30	762	30	762
Ⓔ Maximum overall depth of overhead cabinetry	13	330	13	330	13	330
Ⓕ Width of cabinetry opening	30	762	36	914	48	1219
Ⓖ Maximum height from floor to countertop:						
- for level counter	35 3/4	908	35 3/4	908	35 3/4	908
- with range levelling legs fully extended	36 3/4	933	36 3/4	933	36 3/4	933
Ⓗ Maximum depth from wall to cabinetry face:						
• proud control panel	25 3/8	644	25 3/8	644	25 3/8	644
• flush control panel	27 11/16	703	27 11/16	703	27 11/16	703

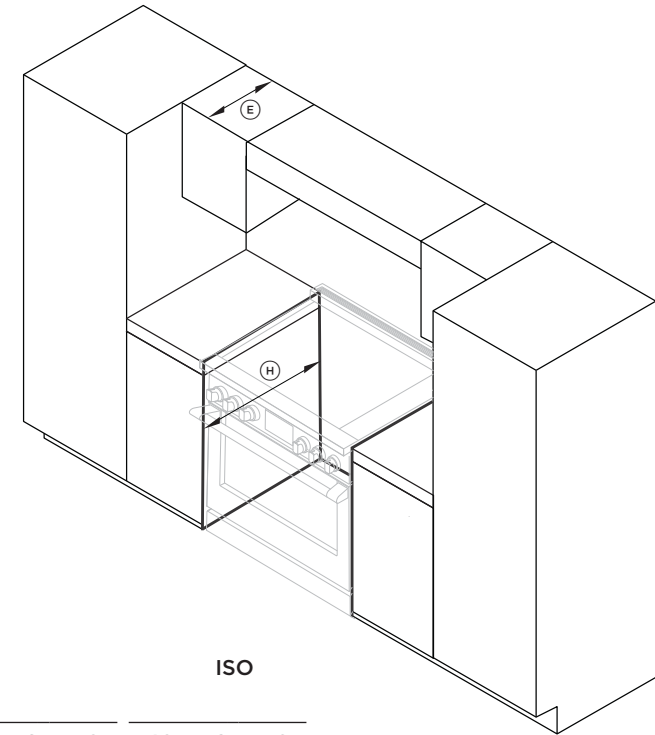
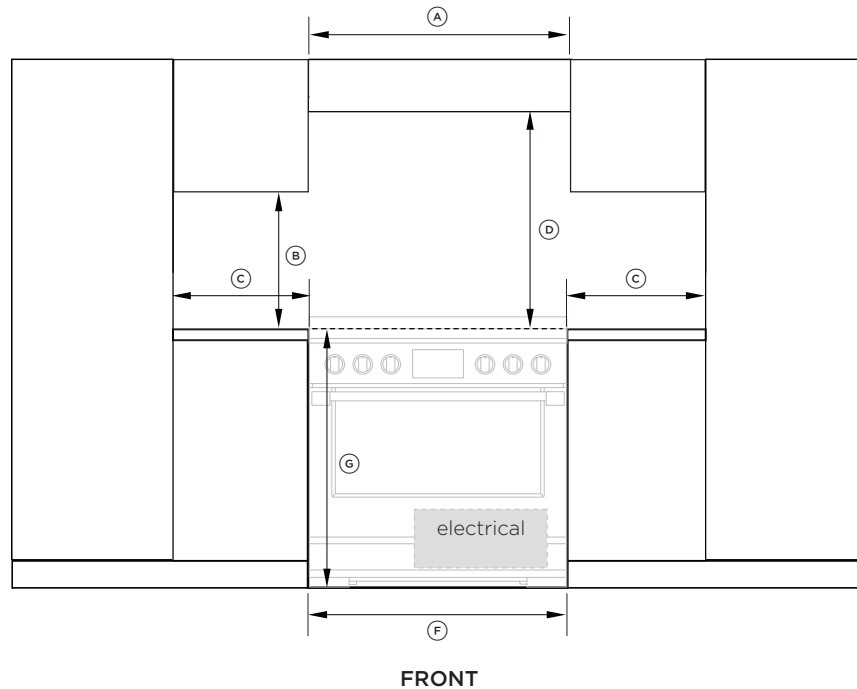
Note:

- The cooking surface must sit flush or above the adjacent countertop level.
- If the range is to be placed adjacent to cabinets, the clearances shown are required. The same clearances apply to island installations.
- The range can be placed in various positions with respect to the cabinet front, with the control panel either flush or projecting, depending on the cabinetry depth.
- The electrical and gas supply should be within the zones shown in the following diagrams
- Any openings in the wall behind the range and in the floor under the range must be sealed.
- Always keep the appliance area clear and free from combustible materials, gasoline and other flammable vapors and liquids.
- Do not obstruct the flow of combustion and ventilation air to the unit.

* Guidance dimension only. Combustible covering for a ventilation hood and non-combustible surface clearances are governed by local codes rather than these dimensions.

* Non-combustible surfaces: as defined in 'National Fuel Gas Code' (ANSI Z223.1, Current Edition). Clearances from non-combustible materials are not part of the ANSI Z21.1 scope and are not certified by UL. Clearances of less than 6" (152mm) must be approved by the local codes and/or by the local authority having jurisdiction.

CLEARANCE DIMENSIONS - FULL INDUCTION COOKTOP MODELS



CLEARANCE DIMENSIONS	30" MODELS		36" MODELS		48" MODELS	
	IN	MM	IN	MM	IN	MM
Ⓐ Minimum width of ventilation hood installed above range	30	762	36	914	48	1219
Ⓑ Minimum vertical distance between countertop and cabinet extending above counter	18	457	18	457	18	457
Ⓒ Minimum clearance from left and right edge of range to nearest vertical combustable surface	12	305	12	305	12	305
Ⓓ Minimum clearance from cook surface to:						
• combustible surface centered above the cook surface	30	762	30	762	30	762
• combustible covering for ventilation hood centered above the cook surface*	30	762	30	762	30	762
• non-combustible surface centered above the cook surface*	30	762	30	762	30	762
Ⓔ Maximum overall depth of overhead cabinetry	13	330	13	330	13	330
Ⓕ Width of cabinetry opening	30	762	36	914	48	1219
Ⓖ Maximum height from floor to countertop:						
- for level counter	35 3/4	908	35 3/4	908	35 3/4	908
- with range levelling legs fully extended	36 3/4	933	36 3/4	933	36 3/4	933
Ⓗ Maximum depth from wall to cabinetry face:						
• proud control panel	25 3/8	644	25 3/8	644	25 3/8	644
• flush control panel	27 11/16	703	27 11/16	703	27 11/16	703

Note:

- The cooking surface must sit flush or above the adjacent countertop level.
- If the range is to be placed adjacent to cabinets, the clearances shown are required. The same clearances apply to island installations.
- The range can be placed in various positions with respect to the cabinet front, with the control panel either flush or projecting, depending on the cabinetry depth.
- The electrical and gas supply should be within the zones shown in the following diagrams
- Any openings in the wall behind the range and in the floor under the range must be sealed.
- Always keep the appliance area clear and free from combustable materials, gasoline and other flammable vapors and liquids.
- Do not obstruct the flow of combustion and ventilation air to the unit.

* Guidance dimension only. Combustible covering for a ventilation hood and non-combustible surface clearances are governed by local codes rather than these dimensions.

* Non-combustible surfaces: as defined in 'National Fuel Gas Code' (ANSI Z223.1, Current Edition). Clearances from non-combustible materials are not part of the ANSI Z21.1 scope and are not certified by UL. Clearances of less than 6" (152mm) must be approved by the local codes and/or by the local authority having jurisdiction.

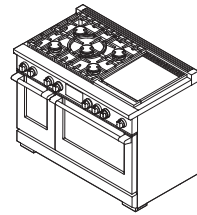
BACKGUARD CONSIDERATIONS

WALL SURFACE

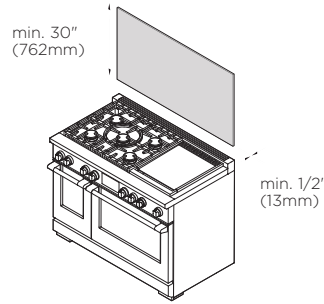
BACKGUARD OPTIONS



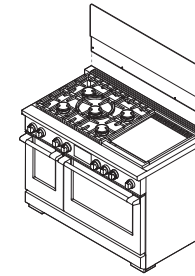
Non-combustible



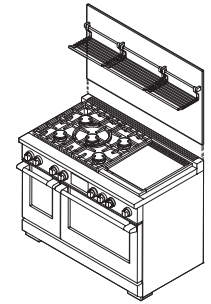
NO BACKGUARD



CUSTOM BACKGUARD
made from non-combustible materials



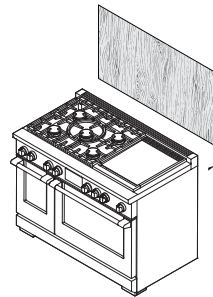
LOW THIN BACKGUARD
BGRV2-1230, BGRV2-1236, BGRV2-1248



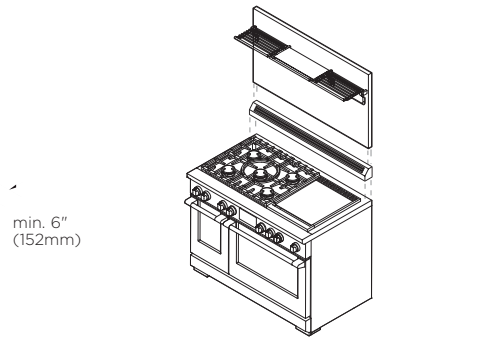
HIGH THIN BACKGUARD
BGRV2-3030, BGRV2-3036, BGRV2-3048



Combustible



NO BACKGUARD



HIGH THICK BACKGUARD WITH ANGLED TRIM
BGRV2-3030H, BGRV2-3036H, BGRV2-3048H

RANGE	RANGE MOUNT LOW BACKGUARD	WALL MOUNT		BACKGUARD WIDTH	
		HIGH BACKGUARD, LOW SHELF	HIGH BACKGUARD, HIGH SHELF	INCHES	MM
30" models	BGRV2-1230	BGRV2-3030	BGRV3-3030H	29 7/8	759
36" models	BGRV2-1236	BGRV2-3036	BGRV3-3036H	35 7/8	911
48" models	BGRV2-1248	BGRV2-3048	BGRV3-3048H	47 7/8	1216

- **Installations against non-combustible surfaces:** you may install the range without a backguard or choose any of the three backguards.
- **Installations close to combustible surfaces (above the cooking surface):** without a backguard, there must be a min. 6" (152mm) clearance.
- **Installations immediately against combustible surfaces (above the cooking surface):** you must purchase and fit the Wall Mount High Backguard High Shelf and Angled Vent Trim.
- **Non-combustible surfaces:** as defined in 'National Fuel Gas Code' (ANSI Z223.1, Current Edition). Clearances from non-combustible materials are not part of the ANSI Z21.1 scope and are not certified by UL. Clearances of less than 6" (152mm) must be approved by the local codes and/or by the local authority having jurisdiction.

Note: Backguards can be purchased separately. All ranges come fitted with an Integral Vent Trim only.

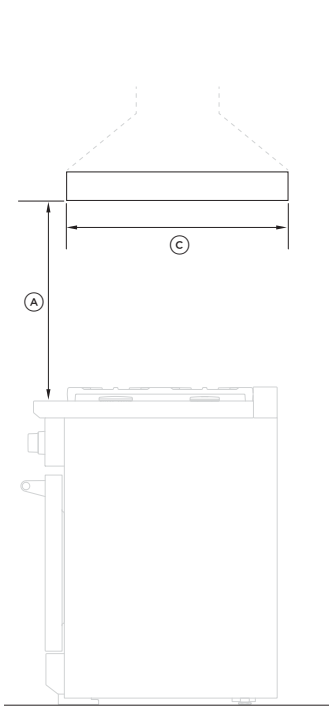
For more information on Backguard installation, refer to the separate instructions provided with your backguard. Backguard Installation Instructions can also be downloaded from our website, www.fisherpaykel.com

VENTILATION REQUIREMENTS

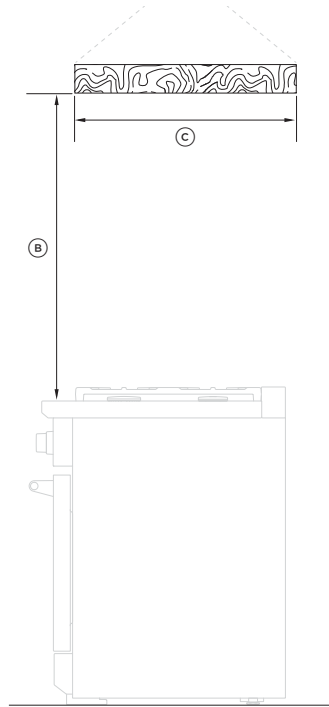
- Ventilation hoods and blowers are designed for use with single wall ducting, however some local building codes or inspectors may require double wall ducting and/or a damper. Consult local building codes and/or agencies before installing to ensure local requirements are met.
- Hood blower speeds should be variable to reduce noise and loss of household air. The maximum speed should only be required when using the grill.
- Due to a high volume of ventilation air, a source of make-up air (outside replacement air) is recommended. This is particularly important for tightly sealed and insulated homes. A reputable heating and ventilating contractor should be consulted.

GAS COOKTOP

Non-combustible



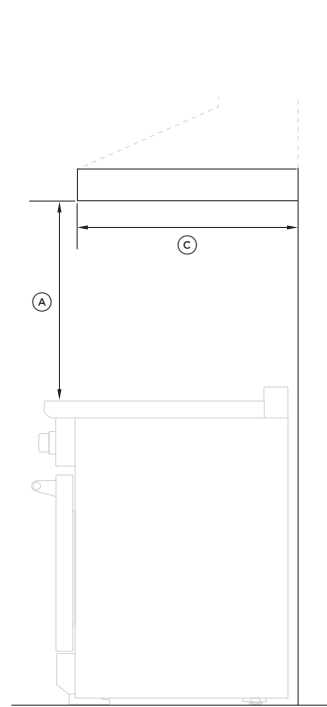
Combustible



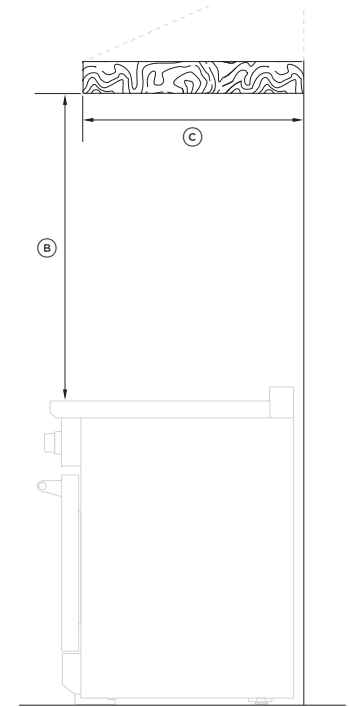
VENTILATION UNIT	WALL AND ISLAND INSTALLATION RECOMMENDATIONS	
Hood	Ⓐ min. 30" (762mm)	max. 42 (1067mm)
	Ⓑ min. 36" (914mm)	max. 42 (1067mm)
	Ⓒ min. 19" (480mm)	
Blower	30" Range	min. 550 CFM
	36" Range	min. 550 CFM
	48" Range	min. 1100 CFM

INDUCTION ONLY COOKTOP

Non-combustible



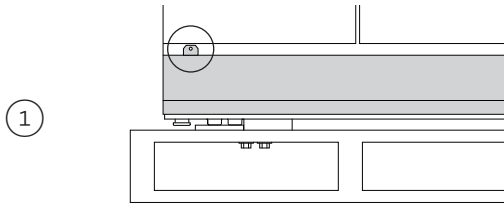
Combustible



VENTILATION UNIT	WALL AND ISLAND INSTALLATION RECOMMENDATIONS	
Hood	Ⓐ min. 30" (762mm)	max. 42 (1067mm)
	Ⓑ min. 36" (762mm)	max. 42 (1067mm)
	Ⓒ min. 19" (480mm)	
Blower	30" Range	min. 550 CFM
	36" Range	min. 550 CFM
	48" Range	min. 1100 CFM

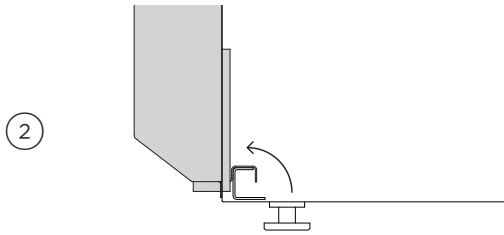
UNPACKING THE RANGE

1. REMOVE TOE KICK



FRONT VIEW

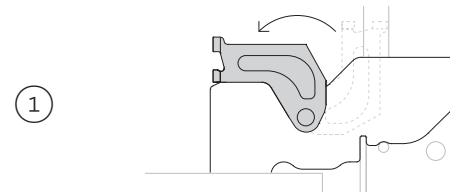
Remove both screws to detach the toe kick from the range.



PROFILE VIEW

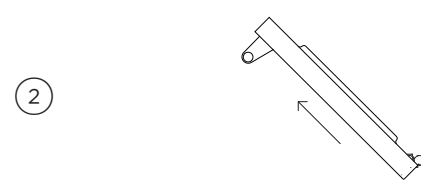
Lift toe kick up and rotate towards you to remove.

2. REMOVE DOORS



HINGE DETAIL

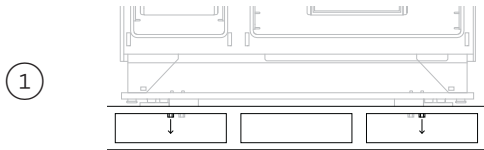
Open the door completely and open the hinge locks fully on both sides. Refer to page 13 for more detail



PROFILE VIEW

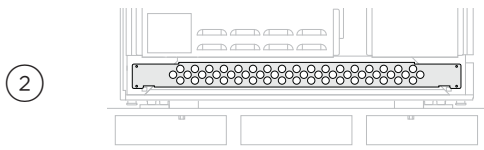
Holding the door on both sides, lift door back up to 45° and carefully pull the door out and away from the hinges.

3. REMOVE FROM PALLET



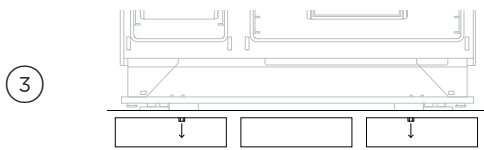
Remove front bolts

Remove the two shipping bolts made visible by removing the toe kick.



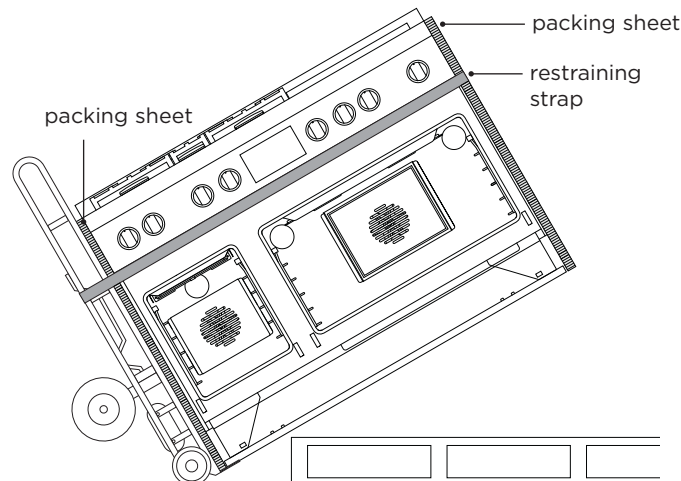
Remove lower guard

Unscrew the lower guard panel from the back of the range to remove.



Remove rear bolts

Remove the two shipping bolts made visible by removing the lower guard.



IMPORTANT!
Two people required.

Before restraining the product to the hand truck, place two cardboard packing sheets (shipped with the product) against both side panels as shown.

Tilt the product and insert hand truck.

DO NOT insert the hand truck to the front of the product.

Restrain the product and packing sheets to the hand truck using straps and tilt onto hand truck. Set pallet aside and pull product to the installation location.

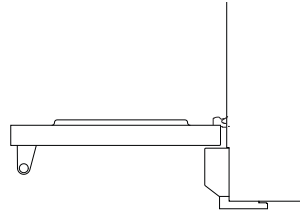
REMOVING AND REFITTING THE OVEN DOOR(S)

IMPORTANT!

- Take care, the oven door is heavy.
- Do not lift the oven door by its handle. Doing so may damage the door.
- Ensure the oven and the door are cool before you begin to remove the door.
- Before removing the door, ensure there is a large enough clear, protected surface in the kitchen to rest the door on.

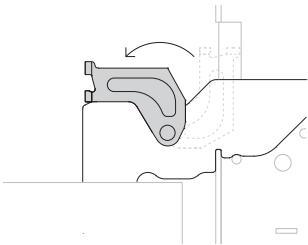
REMOVE DOOR

①



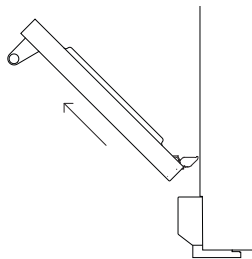
Open the door completely.

②



Open the hinge locks fully on both sides.

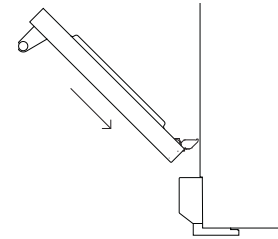
③



Holding the door on both sides, lift door back up to 45° and carefully pull the door out and away from the hinges.

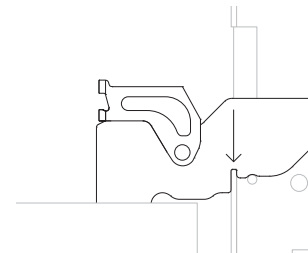
REFIT THE DOOR

①



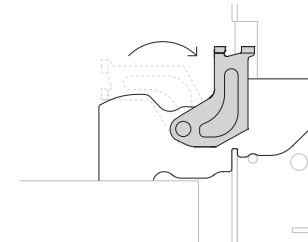
Holding the door at 45°, carefully align the hinge tongues with the hinge slots. Push the door in until you feel the latches locate into position on each side.

②



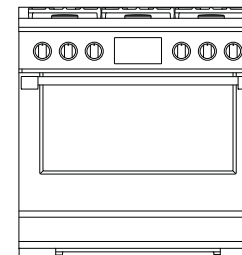
Open the door completely and ensure both hinges are secured by the correct notches.

③



Rotate the locks up into the closed position ensuring they rest inside the slots completely. Note: Incorrect installation will prevent door from correctly sealing.

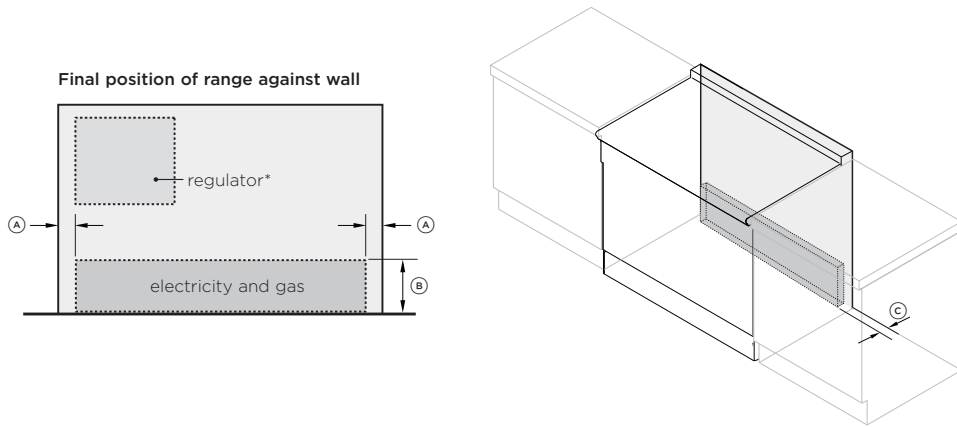
④



Close the oven door ensuring that when closed, the door is vertical and parallel to any surrounding cabinetry.

LOCATION OF ELECTRICAL AND GAS SUPPLY

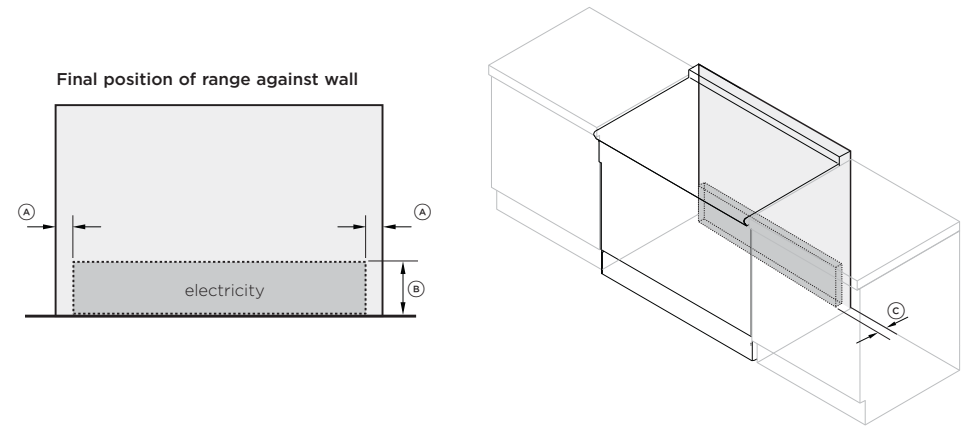
RDV3 & RHV3 MODELS



SUPPLY AREA DIMENSIONS	RDV3 & RHV3 MODELS	
	IN	MM
(A) Distance from either edge of range to supply area	1 1/2	38
(B) Height of gas and electrical supply areas (from floor)	6	152
(C) Depth of supply areas (ie maximum protrusion of gas connection from wall)	2	51

*Regulator location may vary depending on model

RIV3 MODELS



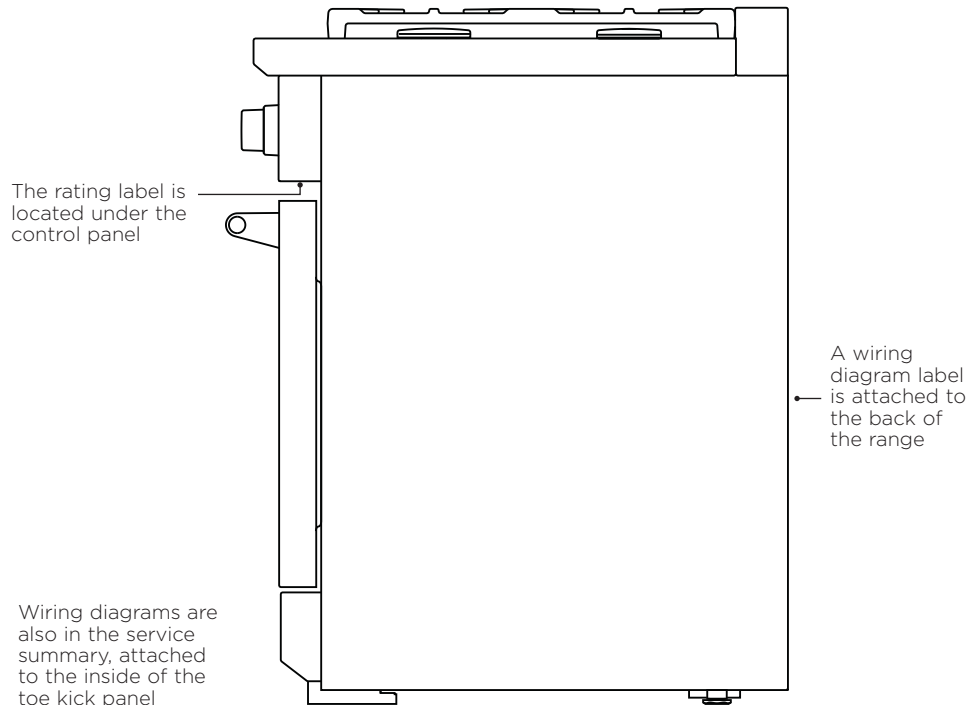
SUPPLY AREA DIMENSIONS	RIV3 MODELS	
	IN	MM
(A) Distance from either edge of range to supply area	1 1/2	38
(B) Height of electrical supply area (from floor)	6	152
(C) Depth of supply area (ie maximum protrusion from wall)	2	51

ELECTRICAL CONNECTION

All models

IMPORTANT!

- This range must be connected to the mains power supply only by a suitably qualified person.
- This range must be earthed.
- Always disconnect electric supply cord from the wall outlet or service disconnect before servicing this appliance.
- Observe all governing codes and ordinances when grounding, in absence of which, observe National Electrical Code ANSI/NFPA No. 70.



RDV3 models

- A neutral supply wire must be provided from the power source (breaker panel) because critical range components, including the surface burner spark reignition module, require 120/240 VAC to operate safely and properly.
- If the correct power supply circuit is not provided, it is the responsibility and obligation of the installer and user to have proper power supply connected. This must be accomplished in accordance with all applicable local codes and ordinances by a qualified electrician. It is the responsibility of the installer to ensure compliance of local codes. In the absence of local codes and ordinances, the power supply connection shall be in accordance with the National Electric Code.
- Observe all governing codes and ordinances when grounding. In the absence of these codes or ordinances observe National Electrical Code ANSI/NFPA No. 70 current issue. See the following information in this section for grounding method..
- Range connection: P1-P2: 240V or 208V; P1-N: 120V; P2-N: 120V; 60Hz; Ground/Earth required.

IMPORTANT!

- An improper 120/240 VAC power supply will cause malfunction, damage to this appliance, and possibly create a condition of shock hazard.
- Improper connection of aluminium house wiring can result in a fire or shock hazard. Use only connectors designed and certified for connecting to aluminium wire.

MODEL	SERVICE*	FREQUENCY
RDV3-304	30 A	60 Hz
RIV3-304	50 A	60 Hz
RDV3-366	30 A	60 Hz
RIV3-365	50 A	60 Hz
RIV3-486	50 A	60 Hz
RDV3-488	50 A	60 Hz
RDV3-485GD	50 A	60 Hz
RDV3-486GD	50 A	60 Hz
RHV3-484	50 A	60 Hz

*NEC Calculated Circuit Load, this is less than the total connected load listed on the rating label.

IMPORTANT!

The fourth prong (round grounding pin) should not, under any circumstances, be cut or removed.

ELECTRICAL CONNECTION

These ranges must be connected to the power supply utilizing one of the following methods. For all methods of connection, the length of the cord or conduit/wiring must allow the unit to be slid completely out of the cabinet without having to unplug or disconnect the unit from the power supply. Recommended minimum free length of cord or conduit is 4ft (1.2m). Electrical installations and grounding must be in accordance with all local codes and ordinances, and/or the National Electric Code, as applicable.

These ranges are provided with a factory-installed power supply cord for connection to a 4-wire electrical system (two Supply wires, one Neutral wire and a Grounding connection). Grounding through the neutral conductor is prohibited for new branch-circuit installations (1996 NEC), mobile homes, and recreational vehicles, or in an area where local codes prohibit grounding through the neutral conductor. **This appliance is not suitable for cord-connected installations where grounding is permitted through the neutral without changing the power supply connections.**

When installed in older installations where it is permitted to ground through the neutral, the 4-conductor cord or cable assembly must be replaced by permanent connection (hard wired) using a 3-conductor cord or cable assembly. See manufacturer's instructions.

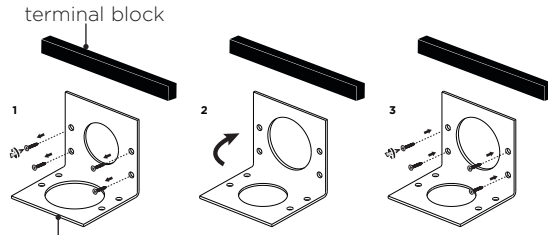
PERMANENT CONNECTION

Units may be hard wired to the power supply.

The installer must provide approved flexible steel conduit, maximum 6ft (1.8m) long. Locate the terminal block on the rear of the unit and remove access cover.

The strain relief bracket orientation must be switched in order to accommodate for a permanent wiring connection. This is done by the following:

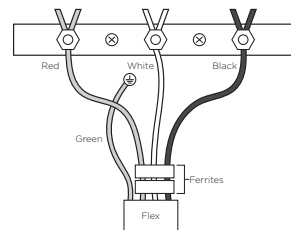
- ① Remove the 4 screws on the bracket.
- ② Re-secure bracket with the four screws so that the 1 1/8" (29mm) smaller opening is orientated over the opening of the back panel.



strain relief bracket

- The conduit must be installed to the terminal block using an approved conduit connector. The free end of the conduit must be connected to a junction box provided in the electrical supply zone.
- Mount a strain relief (not provided) into the 1 1/8" (29mm) diameter hole located below the terminal block. Wiring for the unit is to be brought into the terminal block through the conduit and through the strain relief. The ends of the wiring must have 1/4" faston closed loop lugs attached. Make suitable connections to the terminal block provided.
- See 4-wire and 3-wire connection on the right.
- Installer - show the owner the location of the circuit breaker. Mark it for easy reference.

4-WIRE CONNECTION



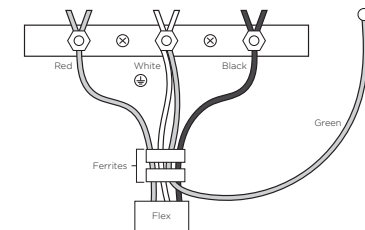
- ① Secure the Neutral (white) power lead, to the center stud (silver colored) of the terminal block with nut.
- ② Secure the L1 (black) and L2 (red) power leads to the outside terminal studs (brass colored) with nuts.
- ③ Secure the Ground (green) power lead to the back of the range with the screw located beneath the terminal block.
- ④ Tighten all connections securely.
- ⑤ Reinstall the Terminal Block Cover.

3-WIRE LEAD CONNECTION

Normally, a unit must be connected to the power supply with a 3-pole, 4-conductor cord rated 125/250 volts, 50 amperes. Where Local Codes and Ordinances permit grounding through neutral, the unit may be connected to the power supply with a 3-pole, 3-conductor separately purchased power supply cord kit rated 125/250 volts, 50 amperes, and marked for use with electric ranges.

The cord kit must be attached to the range back panel with a strain relief which will fit a 1-1/2" (38mm) diameter hole. If not already equipped, the cord must also have 1/4" (6mm) faston closed-loop lugs attached to the free ends of the individual conductors.

3-WIRE LEAD CONNECTION



- ① Remove upper nuts only from terminal block studs. Do not remove lower nuts which secure range wiring leads. Remove and retain the 2 ferrites.
- ② Mount strain relief (not provided with range) into the 1-1/2" (38mm) diameter hole in the bracket located below the terminal block. Route the wires up through strain relief.
- ③ Route L1 (Black), L2 (Red) and Neutral (White) wires through ferrites. Connect Neutral to the center stud, L1 to the left stud and L2 to the right stud.
- ④ Reconnect one end of the mounted loop Ground wire, located beneath the terminal block, up through the ferrites to the centre stud (silver colored) of the terminal block with nut.
- ⑤ Leave the other end of the Ground wire screwed into the back of the range.
- ⑥ Tighten nuts securely.
- ⑦ Reinstall the Terminal Block Cover.

GAS CONNECTION

Gas requirements

Verify the type of gas supplied to the location.

The range is shipped from the factory set up and adjusted for Natural Gas or LP, depending on the specific model ordered.

Verify that the range is compatible with gas supply at the installation site before proceeding further.

Return the range to the dealer if the unit is not set for the gas supplied at the site.

Natural gas

Connection: 1/2" NPT Minimum 5/8" dia. flex line.

Supply Pressure: 6" to 9" W.C.

LP gas

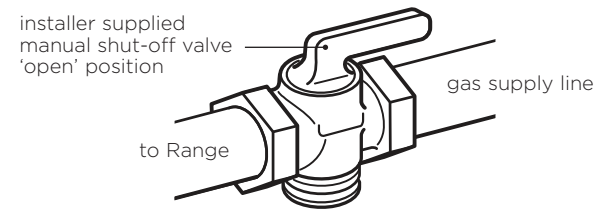
• Connection: 1/2" NPT Minimum 5/8" dia. flex line.

Supply Pressure: 11" to 14" W.C.

• A regulator is required at the LP source to provide a maximum pressure of 14" W.C. to the range regulator.

Requirements for hook-up to gas supply

- The gas supply connections should be made by a qualified technician in accordance with local codes or ordinances. In the absence of a local code, the installation must conform to the latest edition of National Fuel Gas Code ANSI Z.223.1 (Warning: this appliance must be installed by a licensed plumber or gas fitter when within the Commonwealth of Massachusetts).
- A manual shut-off valve (supplied by the installer) must be installed in an accessible location in the gas line external to the appliance for the purpose of turning on or shutting off gas to the appliance. (In Massachusetts such shut-off valves should be approved by the Board of State Examiners of Plumbers & Gas Fitters.) The shut-off valve must be located within 6 feet (1.8 meters) of the appliance it serves.



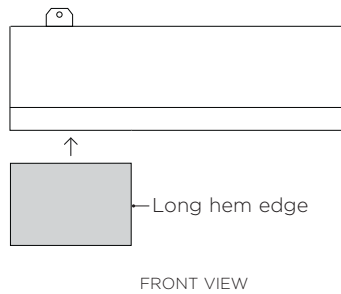
IMPORTANT!

Fisher & Paykel recommends installing the manual shutoff valve in a location readily accessible by the customer, so that gas to the appliance can be shut off in an emergency situation. However, the appliance must not be modified in any way to accommodate such placement.

- The gas supply line must not protrude beyond the back of the appliance.
- Make sure the gas supply is turned off at the wall valve before connecting the appliance
- Leak-testing of the appliance shall be conducted according to the manufacturer's instructions. See instructions following.
- The appliance must be isolated from the building's gas supply piping system by closing its individual manual shut-off valve during any pressure testing of the gas supply piping system at test pressures equal to or less than 1/2 psig (3.5kPa.). The appliance and its individual shut-off valve must be disconnected from the gas supply piping system during any pressure testing of the system at the test pressures in excess of 1/2 psig (3.5kPa.). When checking the manifold gas pressure, the inlet pressure to the regulator should be at least 7.0" W.C. for natural gas or 12.0" for LP.
- The flex line for the gas supply must be metal and be approved for appliance use by a certifying agency (CSA, CGA, or UL). Never use a hose made of rubber or other synthetic material, as the heat may cause the hose to melt and develop leaks.
- When hooking up the gas supply from the wall hard pipe to the range hard pipe, installation length of flex line between range/wall hard piping must accommodate range being pulled from wall for cleaning or servicing purposes. When range is pulled from wall, no strain should occur at range or wall hard pipe connections.

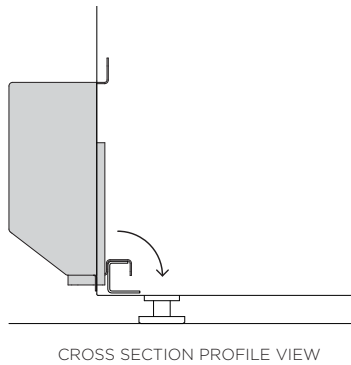
TOE KICK INSTALLATION

1



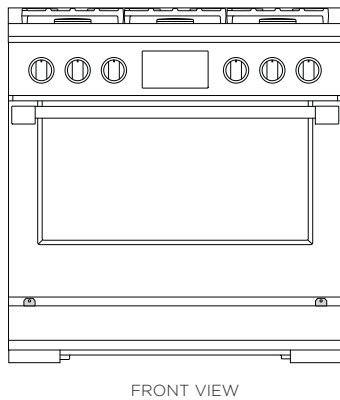
Insert both foot covers into the toe kick ensuring the long hem edge is facing the inside of the product.

2



Align the toe kick with side panels of the range.
Clip into place by rotating and pushing the bracket down over the range structure.

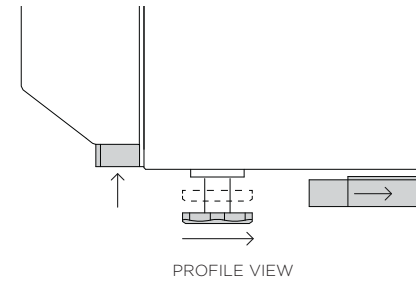
3



Check toe kick is flush with the range and secure using 2 screws.

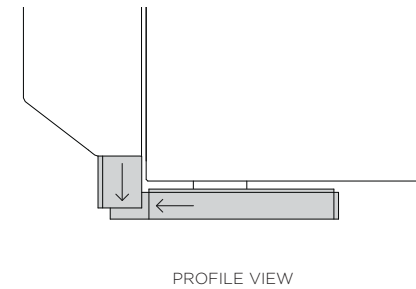
LEVELLING THE RANGE

1



To expose both front feet, slide the interlocking foot covers out of the way.
Turn feet to adjust the height.

2

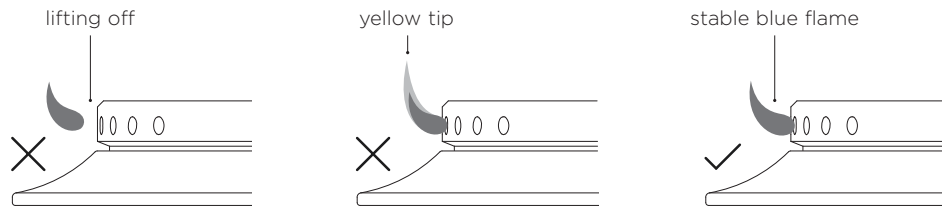


Replace both sets of covers, ensuring each set locks together.

PRIOR TO FINAL POSITIONING

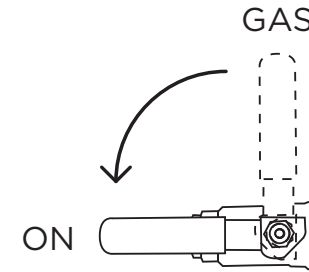
- Ensure the doors and toe kick panel are securely in place, if removed previously.
- Ensure any backguard is fitted prior to final positioning. Refer to "Backguard considerations" for the backguard options.
- Ensure all electrical and gas connections have been done as per instructions.
- Ensure flooring and adjacent cabinetry are also level. To achieve a flush fit of the range to adjoining countertops, it will be necessary to have level cabinets (front to back, and left to right across opening of the range).

COOKTOP BURNERS



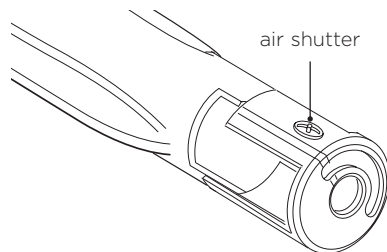
- To check that the ignition system operates correctly, light each burner by itself, then all burners in combination.
- Check for a well-defined blue flame without any yellow tipping.
- If any abnormality is evident, check that the components of the burner assembly are located properly.
- When installing the burner port ring, align the two locating pins in the bottom side of the port ring with the locating notch and center holes on the top side of the simmer ring, and make sure these are properly engaged.
- Incorrect installation may produce a potentially dangerous flame and result in poor burner performance.
- No air shutter adjustment is possible on the cooktop burners. Proper operation is achieved with factory installed settings for the correct gas type.
- If proper operation cannot be obtained, contact Customer Care or your nearest Fisher & Paykel Authorized Service Center.
- The range and cooktop must not be used by the customer until proper operation has been achieved.

LEAK TESTING



- Make sure all oven and burner knobs are set to **OFF** before connecting range to gas supply.
- After final gas connection is made, turn gas supply on and test all connections in gas supply piping for gas leaks with a soapy water solution.
- In order to avoid property damage or serious personal injury, never use a lighted match or open flame.
If a leak is present, tighten joint or unscrew, apply more joint compound, tighten again and retest connection for leak.

GRILL AND GRIDDLE BURNERS (SOME MODELS ONLY)



Each valve and air shutter is individually tested and adjusted prior to shipment. Normally adjustment is not required, however, vibration during transit, gas conversion or variations in the local gas supply may make minor adjustments necessary.

Check for the proper burner flame characteristics and adjust air shutters if necessary. Burner flames should be blue and stable with no yellow tips, excessive noise or lifting of the flame from the burner. If any of these conditions exist, check that the air shutter or burner ports are not blocked.

If the condition persists, adjust the air shutter as below:

- If the flame is too yellow, indicating insufficient air loosen the shutter to increase air inlet.
- If the flame is noisy or tends to lift away from the burner, indicating too much air, tighten the shutter to reduce air.

INSTALLING THE ANTI-TIP BRACKET

! WARNING!



To reduce the risk of tipping the appliance, it must be secured by properly installed anti-tip device packed with the appliance.

- A child or adult can tip the range and be killed.
- Install the anti-tip device to the structure by fastening the supplied bracket to the floor and wall following the instructions for installing the anti-tip device.
- Engage the anti-tip device.
- Re-engage the anti-tip device if the range is moved.

All ranges must have an anti-tip device correctly installed as per the following instructions. If you pull the range out from the wall for any reason, make sure that the device is properly engaged when you push the range back against the wall. If it is not, there is a risk of the range tipping over and causing injury if you or a child stand, sit or lean on an open oven door.

Instructions are provided for wood and concrete floors. Any other type of construction may require special installation techniques as deemed necessary to provide adequate fastening of the Anti-tip bracket to the floor and wall. The use of this bracket does not preclude tipping of the range when not properly installed.

Wood substrate

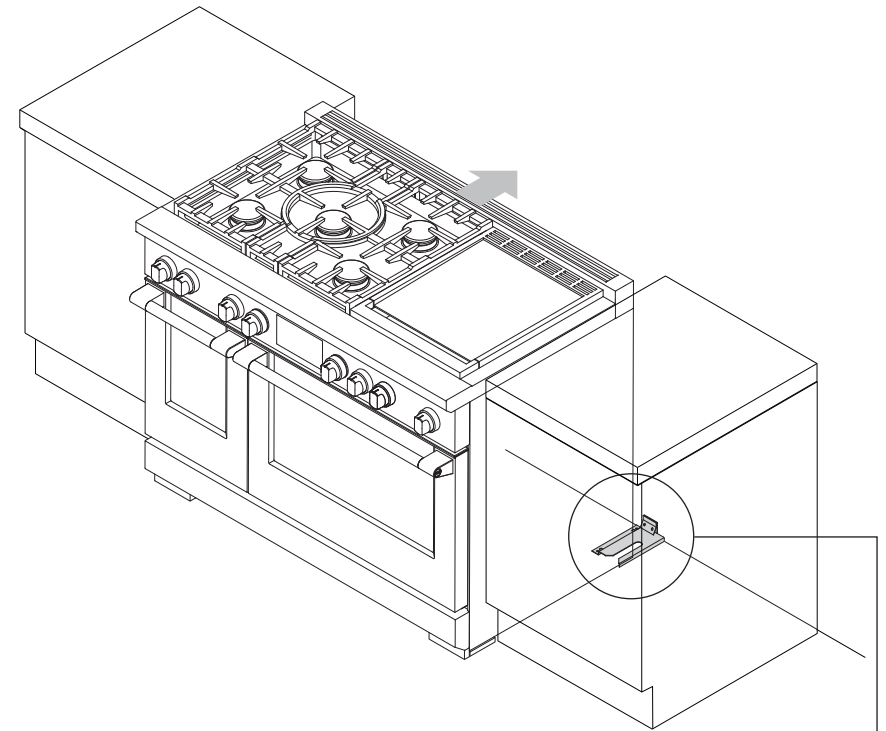
- ① Place the bracket against the back wall, into the right rear corner where the range is to be located. Leave a 1/2" (13mm) gap between the wall (or side of range) and the bracket, as shown.
- ② Drill 1/8" diameter pilot holes in the center of the **two small holes**. A nail or awl may be used if a drill is not available.
- ③ Fasten the bracket securely to the floor and wall.

Concrete or cement substrate

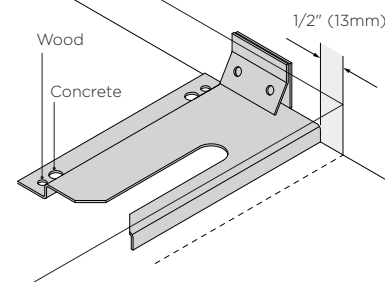
- ① Locate the bracket as shown.
- ② Using the bracket as a template, drill (x2) 5/16" diameter pilot holes in the center of the **larger holes** to a depth of at least 1 3/4".
- ③ Place the sleeve anchors into the holes and use a hammer to tap them all the way in.
- ④ Tighten the nuts on the sleeve anchors to fasten the bracket securely to the floor.

Once installed

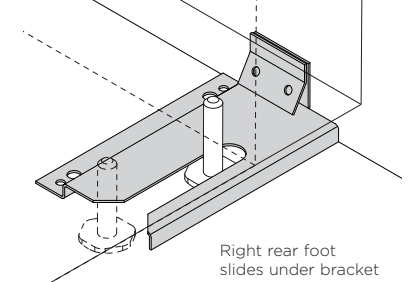
Check for proper installation of the range and Anti-tip bracket by grasping the back of the range and carefully attempting to tilt it forward.



Locating the bracket



Securing the range



FINAL CHECKLIST

TO BE COMPLETED BY THE INSTALLER

GENERAL

- Placement of unit.
- Specified clearance maintained to cabinet surfaces.
- Unit level - front to back, side to side.
- All packaging material and tie straps removed.
- Backguard attached if there is less than 6" (152mm) clearance to combustibles behind unit.
- Radiant tray placed in grill unit (if equipped). The grill grate is in place.
- Door is correctly installed. Check hinge locks both rest inside slots comfortably and neither of the locating notches are visible when oven door is open. When oven door is closed it should run parallel to surrounding cabinetry and sit completely vertical to ensure oven is sealing correctly.

GAS SUPPLY

- Connection: 1/2 NPT with a minimum 5/8" diameter flex line. Site gas supply is compatible with range model, and sufficient pressure is available (see section 'Gas connection').
- The pressure regulator which is connected to the manifold is set for 5.0" W.C. for natural gas or 10.0" W.C. for LP.
- Manual gas shut-off valve installed in an accessible location.
- Unit tested and free of gas leaks.

ELECTRICAL

- Receptacle with properly rated over-current protection is provided for service cord connection.
- Adequate ground connection.
- Front kick panel in place and two screws secure.

OPERATION

- All internal packing materials removed. Check below the grate and inside the oven.
- If used on LP gas, verify that pressure regulator, orifice hoods, air shutters, and valve have been set for use with LP gas.
- Grill grate is seated and does not rock (if equipped).
- Knobs turn correctly and freely.
- Each burner lights satisfactorily, both individually and with other burners operating at the same time.
- Flame adjustment made on air shutter of each oven, griddle, or grill burner.
- Griddle is level and does not rock (if equipped).
- Oven door hinges seated and door opens and closes properly.
- Burner pan supports correctly positioned, level, and do not rock.
- Griddle flame correct.
- Grill flame correct.
- Cooktop burner flame correct.

Complete and keep for safe reference:

Model _____

Serial no. _____

Purchase date _____

Purchaser _____

Dealer address _____

Installer's name _____

Installer's signature _____

Installation company _____

Installation date _____

FISHERPAYKEL.COM

© Fisher & Paykel Appliances 2023. All rights reserved.

The models shown in this guide may not be available in all markets
and are subject to change at any time.

The product specifications in this guide apply to the specific products and
models described at the date of issue. Under our policy of continuous product
improvement, these specifications may change at any time.

For current details about model and specification availability in your country,
please go to our website or contact your local Fisher & Paykel dealer.

592032F 11.23