

**500 Series, Dishwasher, 24",
Stainless steel
SHP95CM5N**

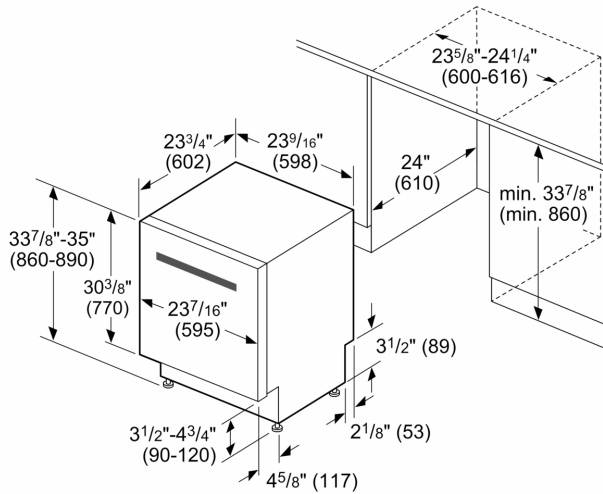


UPC code: 825225972655
 Color: Stainless steel
 Panel ready: No
 Watts: 1440 W
 Fuse protection: 12 A
 Volts: 120 V
 Frequency: 60 Hz
 Energy Consumption: 269 kWh
 ENERGY STAR®: No
 Plug type: Nema5-15P
 Required cutout size (HxWxD) (in): 33 7/8" x 23 9/16" x 24"
 Min. required cutout size (HxWxD): 860-890 x 610 x 610 mm
 Overall appliance dimensions (HxWxD): 860 x 598 x 602 mm
 Power cord length (in): 67"
 Power cord length: 170.0 cm
 Length outlet hose (in): 78 3/4"
 Length outlet hose: 200 cm
 Product packaging dimensions (HxWxD): 35 3/4" x 26" x 29 5/16"
 Product packaging dimensions (HxWxD): 908 x 660 x 745 mm
 Tub material: Stainless steel
 Tub type: TallTub
 ADA Compliant: No
 Number of place settings: 16



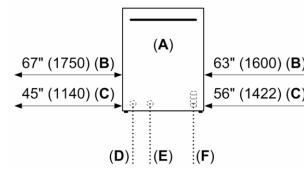
- SGZ1010UC Drain hose extension kit
- SMZ3IN1UC Dish Install Accessory Kit
- SMZ4000UC silverware basket US Duo
- SMZ5000 Dishwashing aid set
- SMZEPCC1UC Cabinet protector with power cord clips
- SMZPCJB1UC Powercord with Junction Box
- SMZSH1ABUC Supply Hose with Elbow

**500 Series, Dishwasher, 24",
Stainless steel
SHP95CM5N**



measurements in inches (mm)

measurements in inches (mm)



All connections are at the rear of the appliance. Extension for drain hose available as accessory. Junction box for hard wired connection available as accessory.

- A:** Front view
- B:** Drain hose
- C:** Electrical Power Cord: length shown according to Installation Instructions
- D:** Inlet
- E:** Drain
- F:** Electrical