

## AF 210 761

Stainless steel handle bar  
Width 24" (60 cm)  
Air extraction/Air recirculation

## AF 210 791

Stainless steel handle bar  
Width 36" (90 cm)  
Air extraction/Air recirculation

## Installation accessories

### AA 210 460

Lowering frame for 24" AF visor hood, enables hood to disappear behind cabinetry. Please also order flexible duct (Part # 00361093)

### AA 210 492

Lowering frame for 36" AF visor hood, enables hood to disappear behind cabinetry. Please also order flexible duct (Part # 00361093)

### AA 210 491

Mounting set for 36" upper cabinet. Required for installation of 36" AF visor hood if AA210490 lowering accessory isn't used.

## Optional accessories

### AA 210 110

1 activated charcoal filter with high efficient odor reduction. For use with air air recirculation module AA211812.

### AA 211 812

Patented air air recirculation module including 1 activated charcoal filter with high efficient odor reduction. For air recirculation.

## Appliance width 36" combinable with:

Vario cooktops 400 series  
VI 41x  
VI 42x  
VI 49x  
VG 41x  
VG 42x  
VG 49x  
VP 41x  
VR 41x

## Vario cooktops 200 series

VI 23x  
VI 24x  
VI 26x  
VG 23x  
VG 26x

## Cooktops 400 series

CX 48x  
CX 49x

## Cooktops 200 series

CI 28x  
CI 29x  
VG 29x

## 200 series Visor hood

### AF 210

- Unobtrusive visor hood design thanks to integrated glass sheet in the steam screen
- Especially quiet operation thanks to integrated sound insulation
- Steam screen extends by pulling the handle bar
- Especially high air output
- Energy-saving, low-noise fan
- Function for automatic, sensor-controlled power adjustment depending on the build-up of cooking vapors
- Dimmable, neutral white LED light for ideal illumination of the cooktop
- The patented lowering frame allows the visor hood to disappear completely into the upper cabinet
- Air extraction or air recirculation system
- Air recirculation module with activated charcoal filter: quiet and highly efficient air recirculation solution with odor reduction as in air extraction mode and long replacement intervals.

## Output

Performance and noise level, output level 3/Intensive:  
500 CFM

Appliance width 36" (90 cm)

Air extraction:

57 / 71 dB(A) re 1 pW

Air recirculation:

62 / 69 dB(A) re 1 pW

Odor reduction air recirculation: >90%

Appliance width 24" (60 cm)

Air extraction:

57 / 71 dB(A) re 1 pW

Air recirculation:

62 / 69 dB(A) re 1 pW

Odor reduction air recirculation: >90%

## Features

Controls at front.

3 electronically controlled power levels and 1 intensive mode.

Automatic function with sensor-controlled run-on function.

Grease filter saturation indicator.

Stainless steel grease filter, dishwasher-safe.

Neutral white LED light (3500 K), continuously dimmable.

Lamp output 3x 1.5 W.

Illuminance 355 lx.

Light can be switched on separately.

Fan technology with highly efficient, brushless DC motor (BLDC).

Integrated sound insulation for quiet operation.

The blower is activated when the steam screen is extended.

Patented technology for extension of the steam screen.

Extendable steam screen up to 7 13/16".

Airflow-optimized interior for efficient air circulation and ease of cleaning.

Patented easy mounting system for simple installation.

The package includes a one-way flap.

## Planning notes

No mounting set required for 24" AF 210 visor hood. For 36" AF 210 visor hood AA210491 mounting set is required. When lowering frame for 36" AF 210 visor hood is used, mounting

## Good to know:

the hood can be as large as the cooktop(s)

## Appliance width 24" combinable with:

Vario cooktops 400 series

VI 41x

VI 42x

VG 41x

VG 42x

VP 41x

VR 41x

Vario cooktops 200 series

VI 23x

VI 24x

VI 26x

VG 23x

VG 26x

## Good to know:

the hood can be as large as the cooktop(s)

set is not required.

A flexible duct (Part # 00361093) is needed when installed with lowering frame.

Patented air recirculation module with activated charcoal filter can be installed in the upper cabinet. The activated charcoal filter can be changed from the front by simply pulling out the filter.

The door of the upper cabinet must be fully open in order to exchange the activated charcoal filter.

To be installed in an upper cabinet without base.

The required cavity depth of the upper cabinet together with the lowering frame measures 13 3/16".

The required cavity height of the upper cabinet together with the lowering frame measures 23 5/8".

Minimum clearance above gas cooktops 25 1/2". If the instructions for installation for the gas cooktop specify a greater distance, this must be adhered to.

Minimum clearance above induction cooktops 17".

## Rating

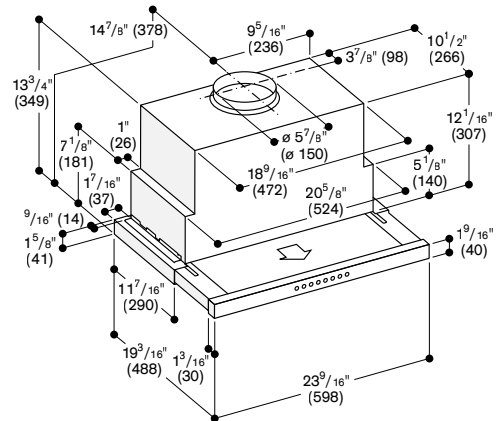
Total rating: 430 W

Total Amps: 10 A.

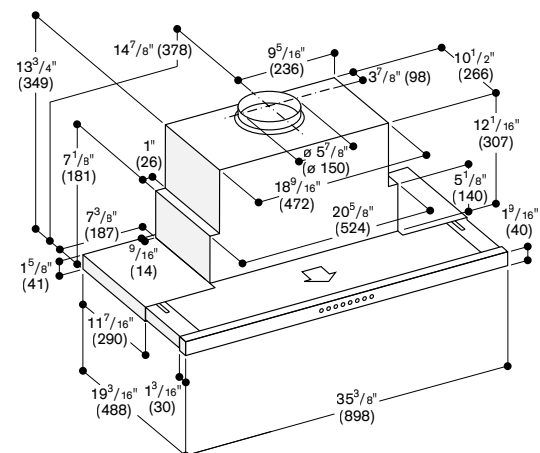
120 V / 60 Hz

Connecting cable 35.4" with plug.

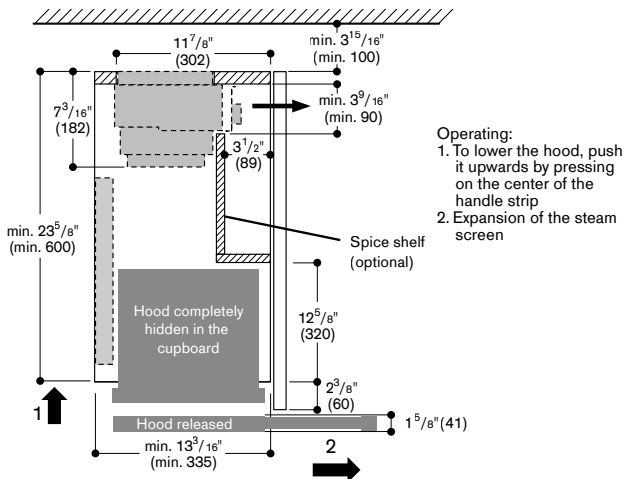
## Measurement drawing of 24" AF visor hood



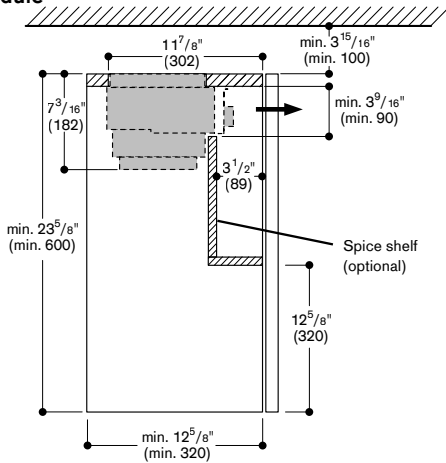
## Measurement drawing of 36" AF visor hood



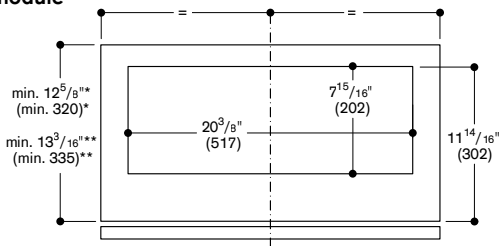
## Cross-section of upper cabinet with AA 211 812 air recirculation module and lowering frame AA 210 490/460



## Cross-section of upper cabinet with AA 211 812 air recirculation module

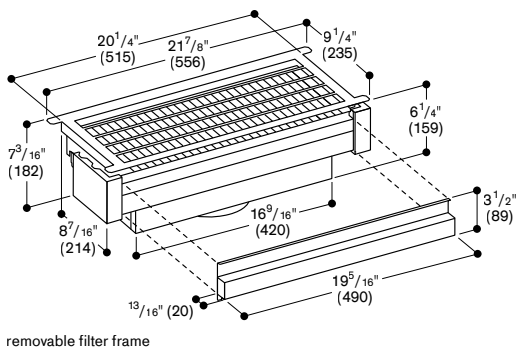


## View from above of upper cabinet with AA 211 812 air recirculation module



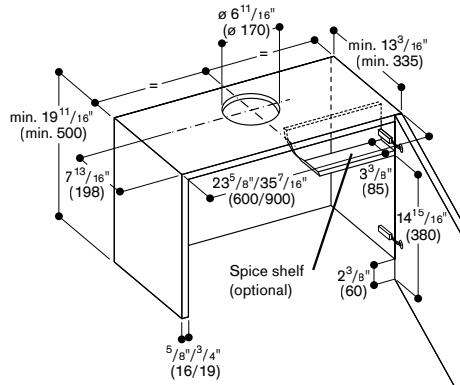
\* only appliance  
\*\* Appliance with lowering frame AA 210 490/460

## AA 211 812 air recirculation module

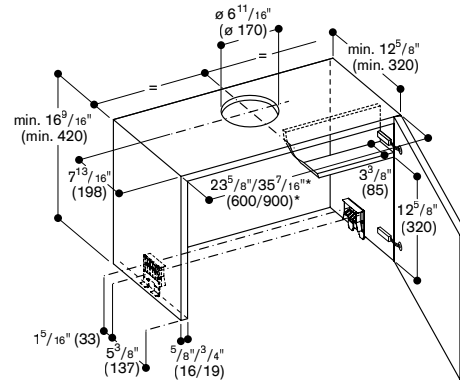


Numbers indicated inside parenthesis ( ) = mm

## Upper cabinet for AF visor hood with lowering frame AA 210 460/ AA 210 490



## Upper cabinet for 24"/36" AF visor hood



\* for a 36" (90 cm) upper cabinet the mounting set AA 210 491 is required

## Upper cabinet for 36" AF visor hood with AA 210 491 mounting set

