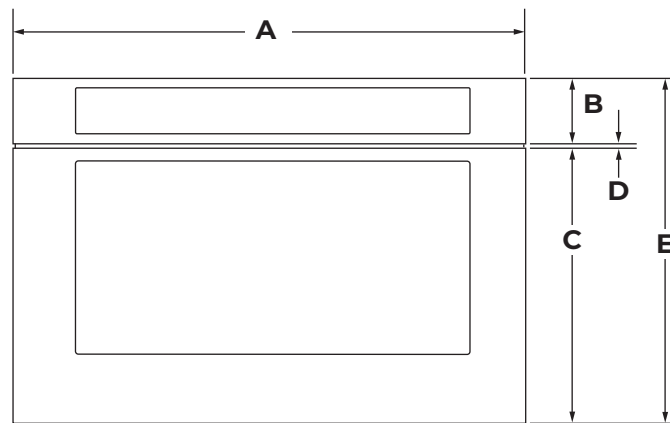


JENNAIR® DIMENSIONS

MICROWAVE DRAWERS

PRODUCT

| | 24" STAINLESS STEEL JMDFS24GS | 24" NOIR™ JMDFS24HM | 30" RISE™ JMDFS30HL | 30" NOIR™ JMDFS30HM |
|--|---|-------------------------------|-------------------------------|-------------------------------|
| Overall Width (A) | 23-7/8" (60.6 cm) | 23-7/8" (60.6 cm) | 29-15/16" (76 cm) | 29-15/16" (76 cm) |
| Control Panel Height (B) | 3" (7.6 cm) | 3" (7.6 cm) | 3" (7.6 cm) | 3" (7.6 cm) |
| Drawer Height (C) | 12-3/4" (32.4 cm) | 12-11/16" (32.3 cm) | 12-3/4" (32.4 cm) | 12-11/16" (32.3 cm) |
| Control Panel to Drawer Space (D) | 1/4" (0.6 cm) | 1/4" (0.6 cm) | 1/4" (0.6 cm) | 1/4" (0.6 cm) |
| Overall Height (E) | 16" (40.6 cm) | 16" (40.6 cm) | 16" (40.6 cm) | 16" (40.6 cm) |



FRONT VIEW



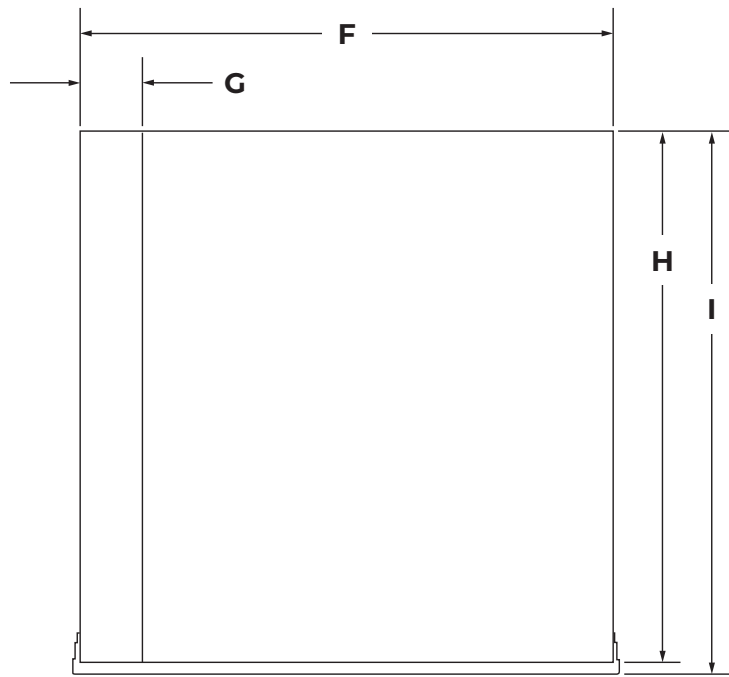
IMPORTANT: Dimensional specifications are provided for planning purposes only. Do not make any cutouts based on this information. Refer to the Installation Guide before selecting cabinetry, verifying electrical/gas connections, making cutouts or beginning installation. All JennAir® appliances are appropriately UL, CUL or CSA approved.

JENNAIR® DIMENSIONS

MICROWAVE DRAWERS

PRODUCT

| | 24" STAINLESS STEEL JMDFS24GS | 24" NOIR™ JMDFS24HM | 30" RISE™ JMDFS30HL | 30" NOIR™ JMDFS30HM |
|----------------------------------|---|-------------------------------|-------------------------------|-------------------------------|
| Recessed Width (F) | 21-5/8" (54.9 cm) | 21-5/8" (54.9 cm) | 21-5/8" (54.9 cm) | 21-5/8" (54.9 cm) |
| Conduit Channel Width (G) | 4-11/16" (11.9 cm) | 4-11/16" (11.9 cm) | 4-11/16" (11.9 cm) | 4-11/16" (11.9 cm) |
| Depth without Drawer (H) | 21-7/8" (55.6 cm) | 21-7/8" (55.6 cm) | 21-7/8" (55.6 cm) | 21-7/8" (55.6 cm) |
| Depth with Drawer (I) | 23-1/2" (59.7 cm) | 23-11/16" (60.1 cm) | 23-9/16" (58.9 cm) | 23-11/16" (60.1 cm) |



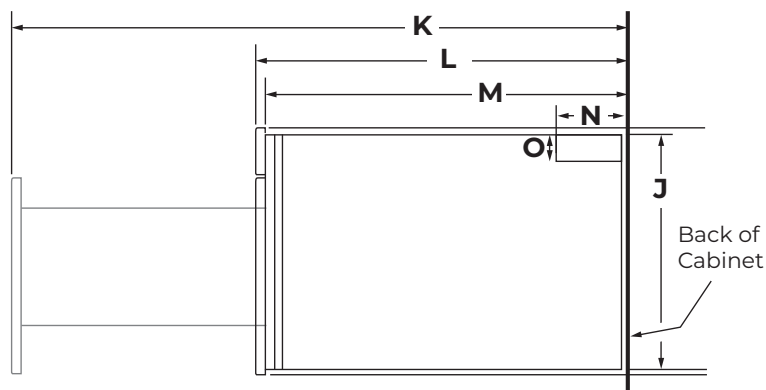
TOP VIEW

JENNAIR® DIMENSIONS

MICROWAVE DRAWERS

PRODUCT

| | 24" STAINLESS STEEL JMDFS24GS | 24" NOIR™ JMDFS24HM | 30" RISE™ JMDFS30HL | 30" NOIR™ JMDFS30HM |
|--|---|-------------------------------|-------------------------------|-------------------------------|
| Recessed Height (J) | 14-5/8" (37.1 cm) | 14-5/8" (37.1 cm) | 14-5/8" (37.1 cm) | 14-5/8" (37.1 cm) |
| Drawer Open Depth (K) (Flush Receptacle) | 38-5/16" (97.3 cm) | 38-1/2" (97.8 cm) | 38-3/8" (97.4 cm) | 38-1/2" (97.8 cm) |
| Drawer Open Depth (K) (Non-flush Receptacle) | 42-13/16" (108.7 cm) | 43" (109.2 cm) | 42-13/16" (108.8 cm) | 43" (109.2 cm) |
| Depth with Drawer (L) (Flush Receptacle) | 23-5/16" (59.2 cm) | 23-1/2" (59.7 cm) | 23-3/8" (59.3 cm) | 23-1/2" (59.7 cm) |
| Depth with Drawer (L) (Non-flush Receptacle) | 27-13/16" (70.6 cm) | 28" (71.1 cm) | 27-13/16" (70.7 cm) | 28" (71.1 cm) |
| Depth without Drawer (M) (Flush Receptacle) | 21-7/8" (55.6 cm) | 21-7/8" (55.6 cm) | 21-7/8" (55.6 cm) | 21-7/8" (55.6 cm) |
| Depth without Drawer (M) (Non-flush Receptacle) | 26-3/8" (67 cm) | 26-3/8" (67 cm) | 26-3/8" (67 cm) | 26-3/8" (67 cm) |
| Conduit Channel Length (N) | 4" (10.2 cm) | 4" (10.2 cm) | 4" (10.2 cm) | 4" (10.2 cm) |
| Conduit Channel Height (O) | 1-3/4" (4.4 cm) | 1-3/4" (4.4 cm) | 1-3/4" (4.4 cm) | 1-3/4" (4.4 cm) |



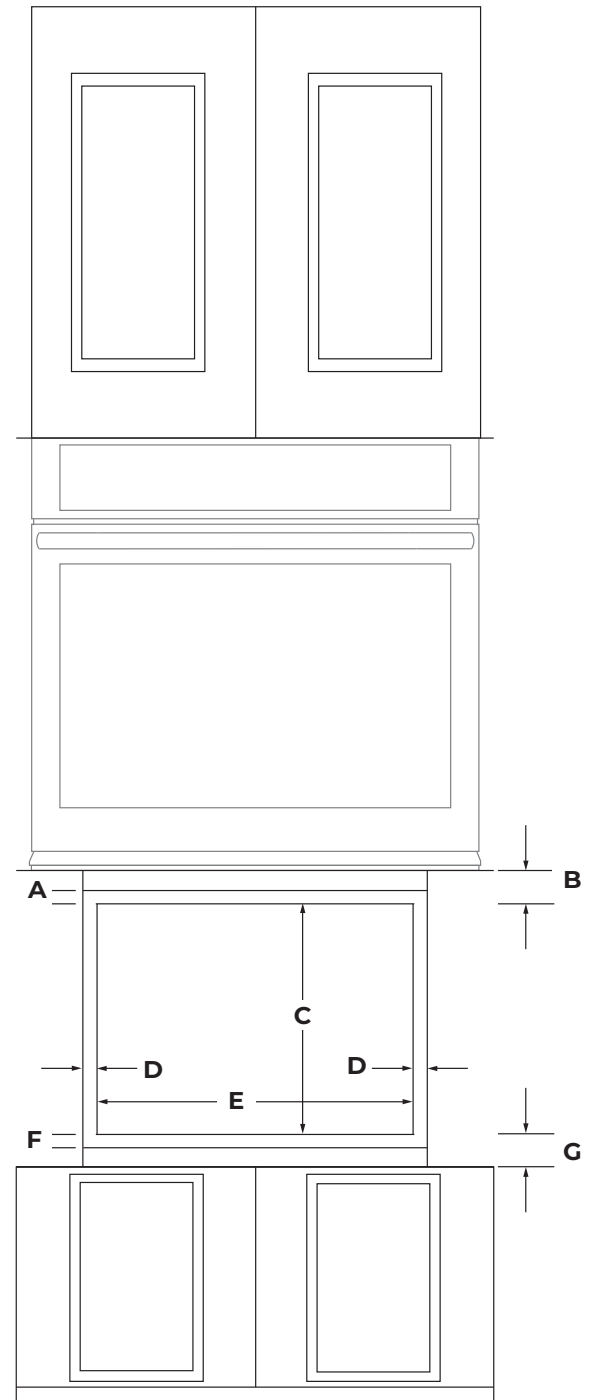
SIDE VIEW

JENNAIR® DIMENSIONS

MICROWAVE DRAWERS

STANDARD OPENING AND CLEARANCE

| | 24" STAINLESS STEEL JMDFS24GS | 24" NOIR™ JMDFS24HM |
|--|---|-------------------------------|
| Top Overlap Allowance (A) | 9/16" (1.4 cm) | 9/16" (1.4 cm) |
| Cutout Top to Oven or Countertop Bottom (B) | 2" (5.1 cm) min. | 2" (5.1 cm) min. |
| Cutout Height (C) | 15-9/16" (39.5 cm) | 15-9/16" (39.5 cm) |
| Side Overlap Allowance (D) | 7/8" (2.2 cm) | 7/8" (2.2 cm) |
| Cutout Width (E) | 22-1/8" (56.2 cm) | 22-1/8" (56.2 cm) |
| Bottom Overlap Allowance (F) | 3/4" (1.9 cm) | 3/4" (1.9 cm) |
| Cabinet Bottom to Cabinet Door Top (G) | 2" (5.1 cm) min. | 2" (5.1 cm) min. |



FRONT VIEW

LOCATION REQUIREMENTS CHECKLIST

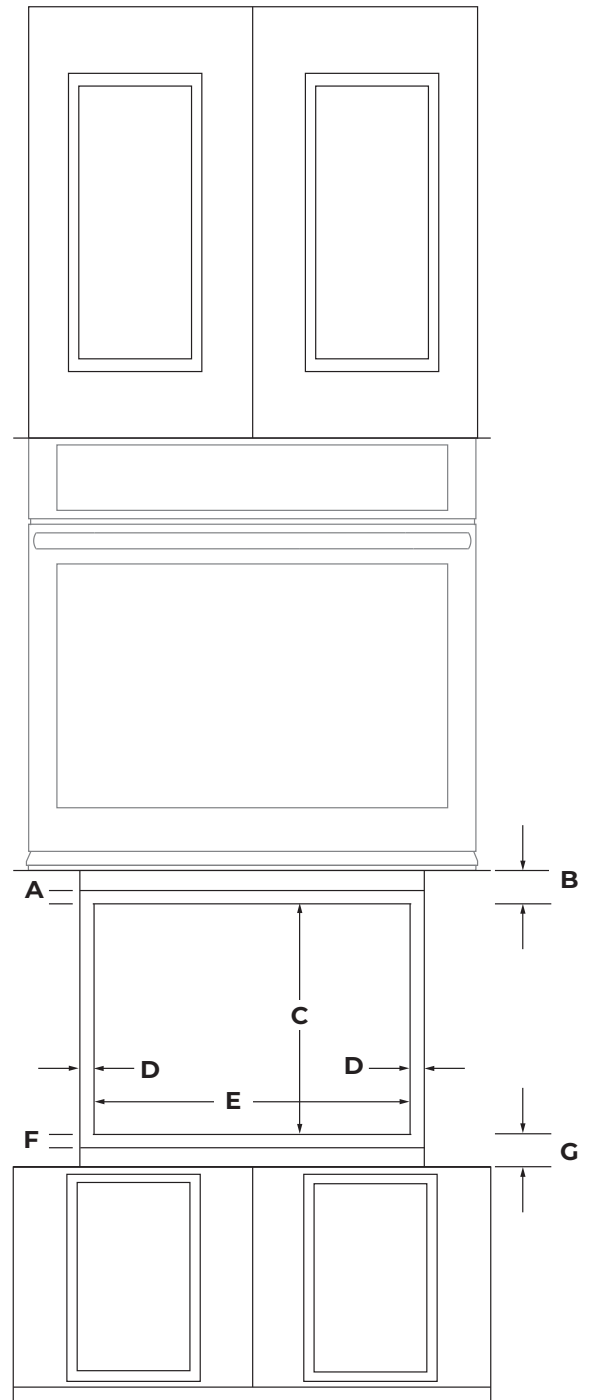
- Support structure must be able to support 100 lb. (45.4 kg), including microwave oven and contents.

JENNAIR® DIMENSIONS

MICROWAVE DRAWERS

STANDARD OPENING AND CLEARANCE

| | 30" RISE™ JMDFS30HL | 30" NOIR™ JMDFS30HM |
|--|---------------------------------|---------------------------------|
| Top Overlap Allowance (A) | 9/16" (1.4 cm) | 9/16" (1.4 cm) |
| Cutout Top to Oven or Countertop Bottom (B) | 2" (5.1 cm) min. | 2" (5.1 cm) min. |
| Cutout Height (C) | 15-9/16" (39.5 cm) | 15-9/16" (39.5 cm) |
| Side Overlap Allowance (D) | 11/16" (1.8 cm) | 11/16" (1.8 cm) |
| Cutout Width (E) | 22-1/8"-28-3/8" (56.2-72 cm) | 22-1/8"-28-3/8" (56.2-72 cm) |
| Bottom Overlap Allowance (F) | 3/4" (1.9 cm) min. | 3/4" (1.9 cm) min. |
| Cabinet Bottom to Cabinet Door Top (G) | 2" (5.1 cm) min. | 2" (5.1 cm) min. |



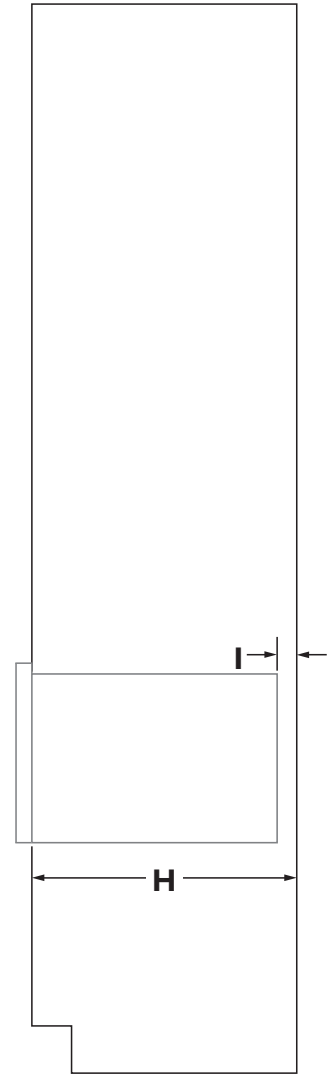
FRONT VIEW

JENNAIR® DIMENSIONS

MICROWAVE DRAWERS

STANDARD OPENING AND CLEARANCE

| | 24" STAINLESS STEEL JMDFS24GS | 24" NOIR™ JMDFS24HM | 30" RISE™ JMDFS30HL | 30" NOIR™ JMDFS30HM |
|---|---|-------------------------------|-------------------------------|-------------------------------|
| Cutout Depth (H) (Flush Receptacle) | 23-1/2" (59.7 cm) min. | 23-11/16" (60.2 cm) min. | 23-9/16" (59.8 cm) min. | 23-11/16" (60.2 cm) min. |
| Cutout Depth (H) (Non-flush Receptacle) | 28" (71.1 cm) min. | 28-3/16" (71.6 cm) min. | 28-1/16" (71.2 cm) min. | 28-3/16" (71.6 cm) min. |
| Microwave Back to Cabinet Back Depth (I) | 3-1/2" (8.9 cm) | 3-1/2" (8.9 cm) | 3-1/2" (8.9 cm) | 3-1/2" (8.9 cm) |



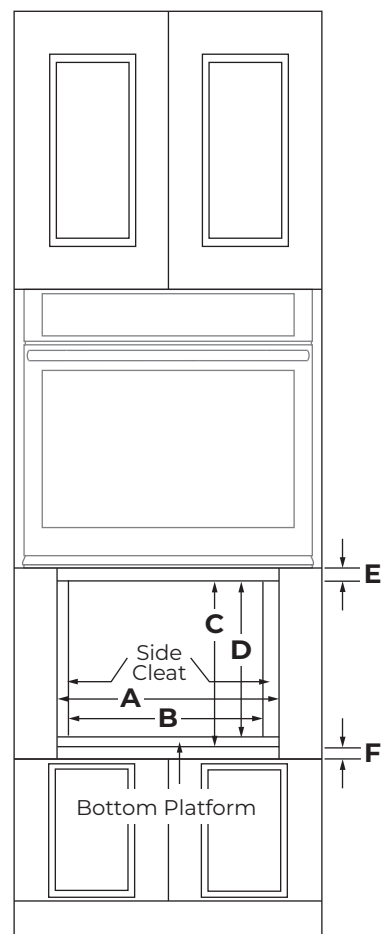
SIDE VIEW

JENNAIR® DIMENSIONS

MICROWAVE DRAWERS

FLUSH OPENING AND CLEARANCE

| | 24" STAINLESS STEEL JMDFS24GS | 24" NOIR™ JMDFS24HM |
|--|---|---|
| Cutout Width (A) | 24-3/16"-24-1/2" (61.4-62.2 cm) min. | 24-3/16"-24-1/2" (61.4-62.2 cm) min. |
| Width Between Side Cleats (B) | 22-1/8" (56.2 cm) | 22-1/8" (56.2 cm) |
| Cutout Height (C) | 17" (43.2 cm) | 17" (43.2 cm) |
| Platform to Top of Cutout Height (D) | 16-1/8" (41 cm) min. | 16-1/8" (41 cm) min. |
| Cutout Top to Oven or Countertop Bottom (E) | 2" (5.1 cm) | 2" (5.1 cm) |
| Cabinet Bottom to Cabinet Door Top (F) | 2" (5.1 cm) | 2" (5.1 cm) |



FRONT VIEW

LOCATION REQUIREMENTS CHECKLIST

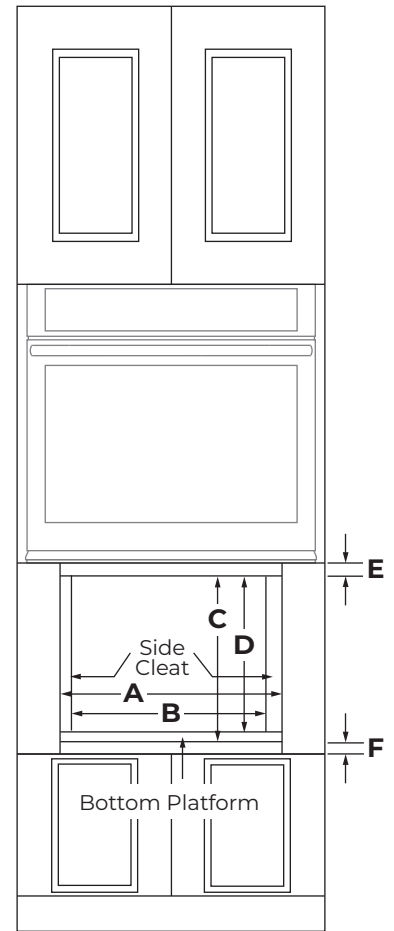
- Support structure must be able to support 100 lb. (45.4 kg), including microwave oven and contents.

JENNAIR® DIMENSIONS

MICROWAVE DRAWERS

FLUSH OPENING AND CLEARANCE

| | 30" RISE™ JMDFS30HL | 30" NOIR™ JMDFS30HM |
|--|---|---|
| Cutout Width (A) | 30-1/4"-30-9/16" (76.8-77.6 cm) min. | 30-1/4"-30-9/16" (76.8-77.6 cm) min. |
| Width Between Side Cleats (B) | 28-7/16" (72.2 cm) | 28-7/16" (72.2 cm) |
| Cutout Height (C) | 17" (43.2 cm) | 17" (43.2 cm) |
| Platform to Top of Cutout Height (D) | 16-1/8" (41 cm) min. | 16-1/8" (41 cm) min. |
| Cutout Top to Oven or Countertop Bottom (E) | 2" (5.1 cm) | 2" (5.1 cm) |
| Cabinet Bottom to Cabinet Door Top (F) | 2" (5.1 cm) | 2" (5.1 cm) |



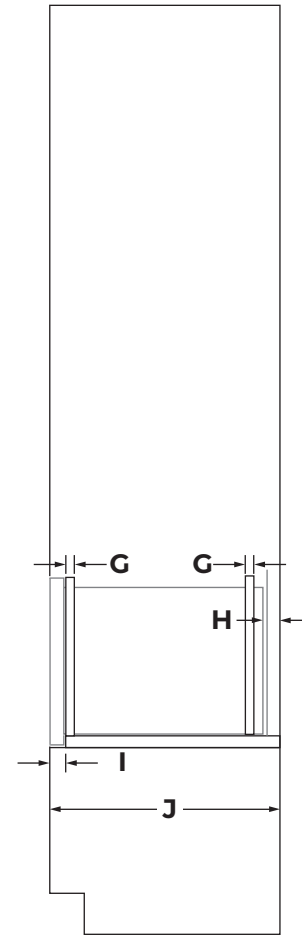
FRONT VIEW

JENNAIR® DIMENSIONS

MICROWAVE DRAWERS

FLUSH OPENING AND CLEARANCE

| | 24" STAINLESS STEEL JMDFS24GS | 24" NOIR™ JMDFS24HM |
|--|---|-------------------------------|
| Side Cleat Depth (G) | 1-9/16" (3.9cm) | 1-9/16" (3.9cm) |
| Microwave Back to Cabinet Back Depth (H) | 3-1/2" (8.9 cm) | 3-1/2" (8.9 cm) |
| Cabinet Face to Front of Platform Depth (I) | 1-7/8" (4.8 cm) | 2-1/16" (5.3 cm) |
| Cutout Depth (J) (Flush Receptacle) | 23-1/2" (59.7 cm) min. | 23-11/16" (60.2 cm) min. |
| Cutout Depth (J) (Non-flush Receptacle) | 28" (71.1 cm) | 28-3/16" (71.6 cm) |



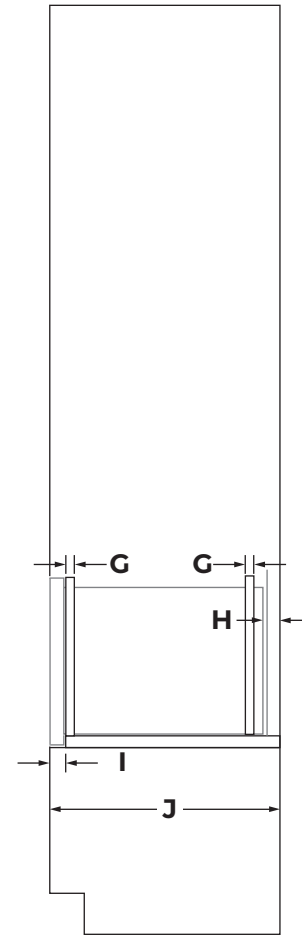
SIDE VIEW

JENNAIR® DIMENSIONS

MICROWAVE DRAWERS

FLUSH OPENING AND CLEARANCE

| | 30" RISE™ JMDFS30HL | 30" NOIR™ JMDFS30HM |
|--|-------------------------------|-------------------------------|
| Side Cleat Depth (G) | 1/8" (0.39 cm) | 1/8" (0.39 cm) |
| Microwave Back to Cabinet Back Depth (H) | 3-1/2" (8.9 cm) | 3-1/2" (8.9 cm) |
| Cabinet Face to Front of Platform Depth (I) | 1-15/16" (4.9 cm) | 2-1/16" (5.3 cm) |
| Cutout Depth (J) (Flush Receptacle) | 23-9/16" (59.8 cm) min. | 23-11/16" (60.2 cm) min. |
| Cutout Depth (J) (Non-flush Receptacle) | 28-1/16" (71.2 cm) | 28-3/16" (71.6 cm) |



SIDE VIEW

JENNAIR® DIMENSIONS

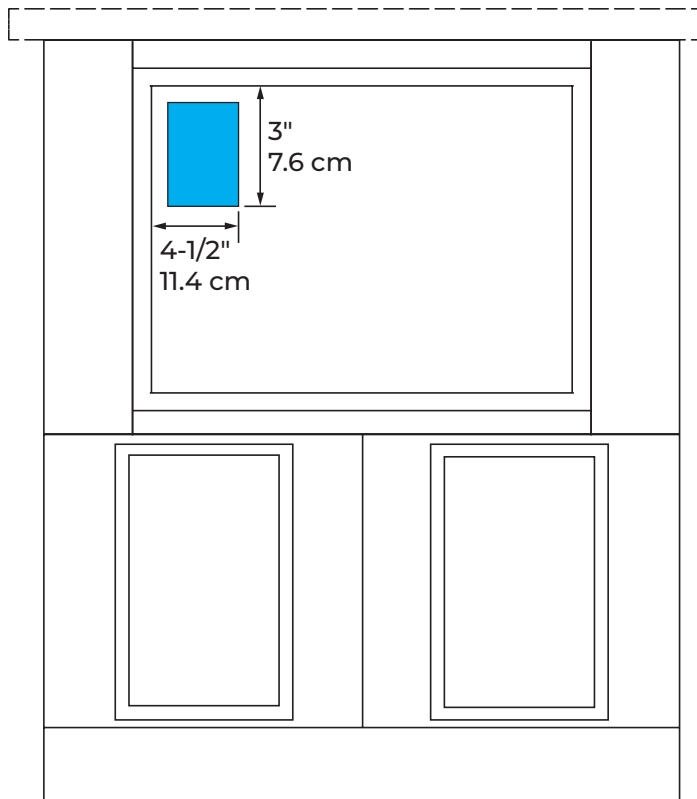
MICROWAVE DRAWERS

ELECTRICAL REQUIREMENTS

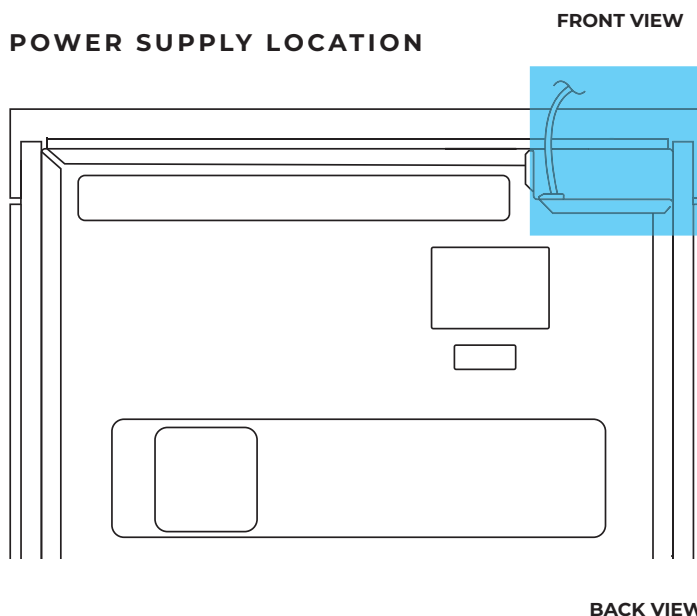
ELECTRIC REQUIREMENTS CHECKLIST

- 120 volt, 60 Hz, AC only, 15- or 20-amp fused, grounded circuit is required.
- A time-delay fuse or dedicated circuit is recommended.
- Do not use an extension cord.

RECOMMENDED ELECTRICAL ZONE



POWER SUPPLY LOCATION



FRONT VIEW

BACK VIEW



IF YOU HAVE QUESTIONS ABOUT YOUR ELECTRICAL SUPPLY, CALL A LICENSED, QUALIFIED ELECTRICIAN.