

---

**BERTAZZONI**  
**INSTALLATION AND USER MANUAL**  
**WALLMOUNT T-SHAPE DESIGN HOODS**

**EN**

---

**BERTAZZONI**  
**INSTRUCTIONS D'INSTALLATION ET D'UTILISATION**  
**HOTTES MURALES T-FORME**

**FR**

---



**KT..XT**  
**KT..CAT**

# CONTENTS

---

<b>Section</b>	<b>Page</b>
IMPORTANT SAFETY INSTRUCTIONS	3
RANGE HOOD DIMENSIONS	6
INSTALLATION HEIGHT REQUIREMENTS	7
PARTS	8
TOOLS NEEDED	10
VENTING METHOD	11
INSTALLING	12
CHOOSING VENTING METHOD	17
ATTACH VENTING: VENTED	18
ATTACH VENTING: RECIRCULATING	22
CONNECTING HOUSE POWER	26
OPERATING THE CONTROLS	27
CLEANING STAINLESS STEEL	29
CARING FOR FILTERS	29
REPLACING THE ACTIVATED CHARCOAL FILTER	30
REPLACING BULBS	30
WIRING DIAGRAM	31
WARRANTY	32

# IMPORTANT SAFETY INSTRUCTIONS

---

## READ AND SAVE THESE INSTRUCTIONS BEFORE YOU START INSTALLING THIS Range Hood

**WARNING: - TO REDUCE THE RISK OF A RANGE TOP GREASE FIRE:**

- a) Never leave surface units unattended at high settings. Boilovers cause smoking and greasy spillovers that may ignite. Heat oils slowly on low or medium setting.
- b) Always turn hood ON when cooking at high heat or when flambeing food (i.e. Crepes Suzette, Cherries Jubilee, Peppercorn Beef Flambé).
- c) Clean ventilating fans frequently. Grease should not be allowed to accumulate on fan or filter.
- d) Use proper pan size. Always use cookware appropriate for the size of the surface element.

**WARNING: - TO REDUCE THE RISK OF INJURY TO PERSONS IN THE EVENT OF A RANGE TOP GREASE FIRE, OBSERVE THE FOLLOWING\*:**

- a) **SMOTHER FLAMES** with a close-fitting lid, cookie sheet, or metal tray, then turn off the burner. **BE CAREFUL TO PREVENT BURNS.** If the flames do not go out immediately **EVACUATE AND CALL THE FIRE DEPARTMENT.**
- b) **NEVER PICK UP A FLAMING PAN** - You may be burned.
- c) **DO NOT USE WATER**, including wet dishcloths or towels - a violent steam explosion will result.
- d) Use an extinguisher **ONLY** if:
  1. You know you have a Class ABC extinguisher, and you already know how to operate it.
  2. The fire is small and contained in the area where it started.
  3. The fire department is being called.
  4. You can fight the fire with your back to an exit.

\* Based on "Kitchen Firesafety Tips" published by NFPA

**WARNING - TO REDUCE THE RISK OF FIRE OR ELECTRIC SHOCK, do not use this fan with any solid-state speed control device.**

**WARNING - TO REDUCE THE RISK OF FIRE, ELECTRICAL SHOCK, OR INJURY TO PERSONS, OBSERVE THE FOLLOWING:**

1. Use this unit only in the manner intended by the manufacturer. If you have any questions, contact the manufacturer.
2. Before servicing or cleaning unit, switch power off at service panel and lock the service disconnecting means to prevent power from being switched on accidentally. When the service disconnecting means cannot be locked, securely fasten a prominent warning device, such as a tag, to the service panel.

**CAUTION: For General Ventilating Use Only. Do Not Use To Exhaust Hazardous or Explosive Materials and Vapors.**

**WARNING - TO REDUCE THE RISK OF FIRE, ELECTRICAL SHOCK, OR INJURY TO PERSONS, OBSERVE THE FOLLOWING:**

1. Installation Work And Electrical Wiring Must Be Done By Qualified Person(s) In Accordance With All Applicable Codes And Standards, Including Fire-Rated Construction.
2. Sufficient air is needed for proper combustion and exhausting of gases through the flue (chimney) of fuel burning equipment to prevent backdrafting. Follow the heating equipment manufacturer's guideline and safety standards such as those published by the National Fire Protection Association (NFPA), and the American Society for Heating, Refrigeration and Air Conditioning Engineers (ASHRAE), and the local code authorities.
3. When cutting or drilling into wall or ceiling, do not damage electrical wiring and other hidden utilities.
4. Ducted fans must always be vented to the outdoors.

ALL WALL AND FLOOR OPENINGS WHERE THE Range Hood IS INSTALLED MUST BE SEALED.

**This Range Hood requires at least 24" of clearance** between the bottom of the Range Hood and the cooking surface or countertop. This hood has been approved by UL at this distance from the cooktop. This minimum clearance may be higher depending on local building codes. For gas cooktops and combination ranges, a minimum of 30" is recommended and may be required.

Overhead cabinets on both sides of this unit must be a minimum of 18" above the cooking surface or countertop. Consult the cooktop or range installation instructions given by the manufacturer before making any cutouts.

**MOBILE HOME INSTALLATION** The installation of this Range Hood must conform to the Manufactured Home Construction and Safety Standards, Title 24 CFR, Part 3280 (formerly Federal Standard for Mobile Home Construction and Safety, Title 24, HUD, Part 280). See Electrical Requirements"

### VENTING REQUIREMENTS

Determine which venting method is best for your application. Ductwork can extend either through the wall or the roof.

The length of the ductwork and the number of elbows should be kept to a minimum to provide efficient performance. The size of the ductwork should be uniform. Do not install two elbows together. Use duct tape to seal all joints in the ductwork system. Use caulking to seal exterior wall or floor opening around the cap.

**Flexible ductwork is not recommended. Flexible ductwork creates back pressure and air turbulence that greatly reduces performance.**

Make sure there is proper clearance within the wall or floor for exhaust duct before making cutouts. Do not cut a joist or stud unless absolutely necessary. If a joist or stud must be cut, then a supporting frame must be constructed.

**WARNING - To Reduce The Risk Of Fire, Use Only Metal Ductwork.**

**CAUTION - To reduce risk of fire and to properly exhaust air, be sure to duct air outside – Do not vent exhaust air into spaces within walls or ceilings or into attics, crawl spaces, or garages.**

### Cold Weather installations

An additional back draft damper should be installed to minimize backward cold air flow and a nonmetallic thermal break should be installed to minimize conduction of outside temperatures as part of the vent system. The damper should be on the cold air side of the thermal break. The break should be as close as possible to where the vent system enters the heated portion of the house.



## WARNING

- Venting system **MUST** terminate outside the home.
- **DO NOT** terminate the ductwork in an attic or other enclosed space.
- **DO NOT** use 4" laundry-type wall caps.
- Flexible-type ductwork is not recommended.
- **DO NOT** obstruct the flow of combustion and ventilation air.
- Failure to follow venting requirements may result in a fire.



## ELECTRICAL REQUIREMENTS

A 120 volt, 60 Hz AC-only electrical supply is required on a separate 15 amp fused circuit. A time-delay fuse or circuit breaker is recommended. The fuse must be sized per local codes in accordance with the electrical rating of this unit as specified on the serial/rating plate located inside the unit near the field wiring compartment.



## WARNING

- Electrical ground is required on this Range Hood.
- If cold water pipe is interrupted by plastic, nonmetallic gaskets or other materials, DO NOT use for grounding.
- DO NOT ground to a gas pipe.
- DO NOT have a fuse in the neutral or grounding circuit. A fuse in the neutral or grounding circuit could result in electrical shock.
- Check with a qualified electrician if you are in doubt as to whether the Range Hood is properly grounded.
- Failure to follow electrical requirements may result in a fire.

### State of California Proposition 65 Warning (US only)

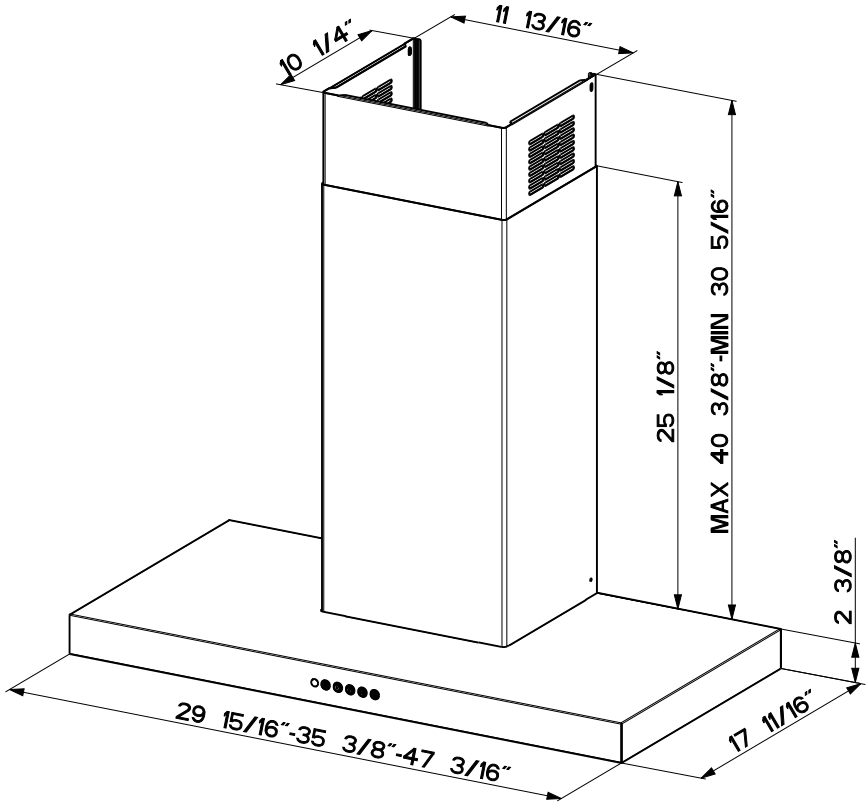
#### WARNING

This product contains chemicals known to the State of California to cause cancer and birth defects or other reproductive harm.

For more information go to [www.P65Warnings.ca.gov](http://www.P65Warnings.ca.gov)

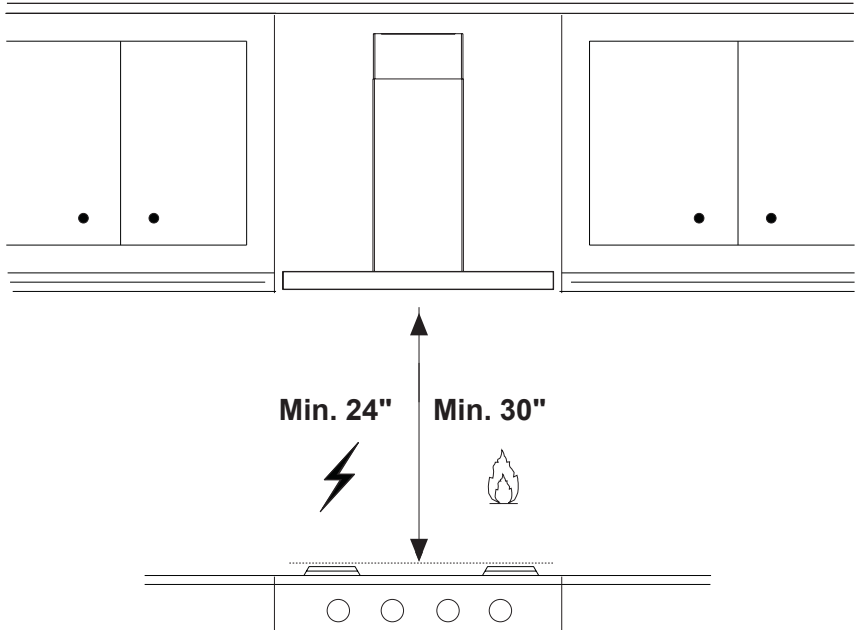
# RANGE HOOD DIMENSIONS

---



# INSTALLATION HEIGHT REQUIREMENTS

---











**MIN. 24" OVER ELECTRIC**  
**MIN. 30" OVER GAS**

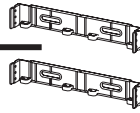
# PARTS

## PARTS INCLUDED

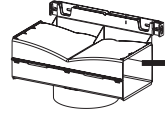
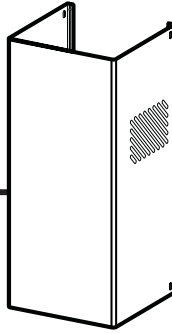
REF.	PART	QTY
<b>A</b>	Hood body	1
<b>B</b>	Telescopic Lower Chimney	1
<b>C</b>	Telescopic Upper Chimney	1
<b>D</b>	Chimney Brackets	2
<b>E</b>	Damper Flaps	2
<b>F</b>	Hood wall Brackets	1
<b>M</b>	Ductless Diverter	1
<b>N</b>	Remote Control	1

REF	PART			
<b>G</b>	Pozi Screws 3/16" x 1 3/4"			6
<b>H</b>	Pozi Screws (1/8" x 3/16")			2
<b>I</b>	Torx Screws 1/8" x 7/16"			4
<b>L</b>	Torx Screws (1/4" x 2 3/4")			2

D

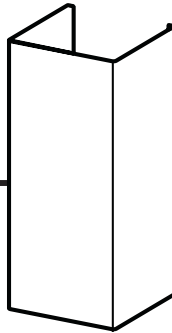


C



M

B



N

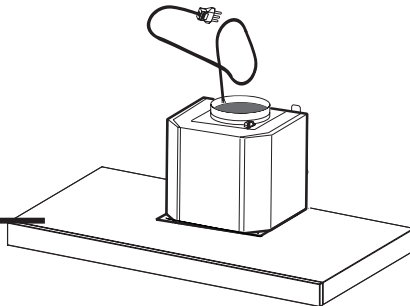
E



F






A



# PARTS (cont.)




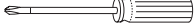



## PARTS NEEDED (NOT INCLUDED)

PART	
6" Round Metal Ductwork	
Drywall plugs or other suitable wall fasteners based on your installation.	
Foil tape	

## ACCESSORIES AVAILABLE

ACCESSORY	SKU#
Replacement Activated Charcoal Filter	# 901497
High Ceiling Chimney Kit - Upper and Lower Chimney Flue to replace the original flue's to fit up to 11' ceilings (Stainless steel models)	# 901583
Baffle filter kit (Only for 36" and 48" models)	# 901582

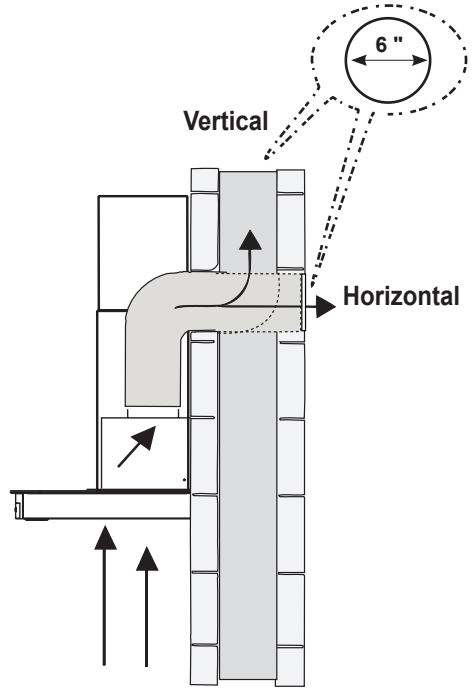
## TOOLS NEEDED

TOOL	
Tape Measure	
Pencil	
Electric Drill with 5/16" Drill Bit	
Phillips Screwdriver	
Torx Screwdriver	
Metal sheers	
Work gloves	

# VENTING METHOD

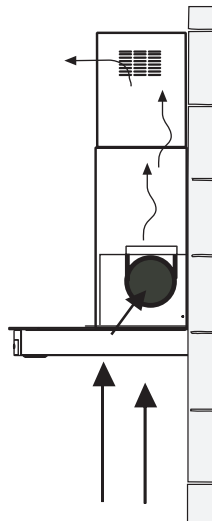
---

## 1 VENTED



## RECIRCULATING

Requires purchase of  
Activated Charcoal  
Accessory kit # 901497.



# INSTALLING

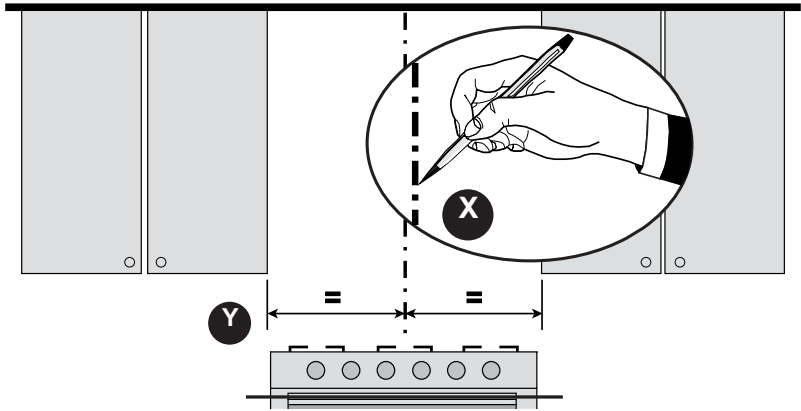
---

2

## DRAW CENTER LINES

Draw a vertical line **X** on the supporting wall to the ceiling or upper limit, at the center of the area in which the hood will be installed.

Draw a horizontal line **Y** where the bottom edge of the hood will be located, a minimum of 24" above an electric cooking surface and 30" above a gas cooking surface.



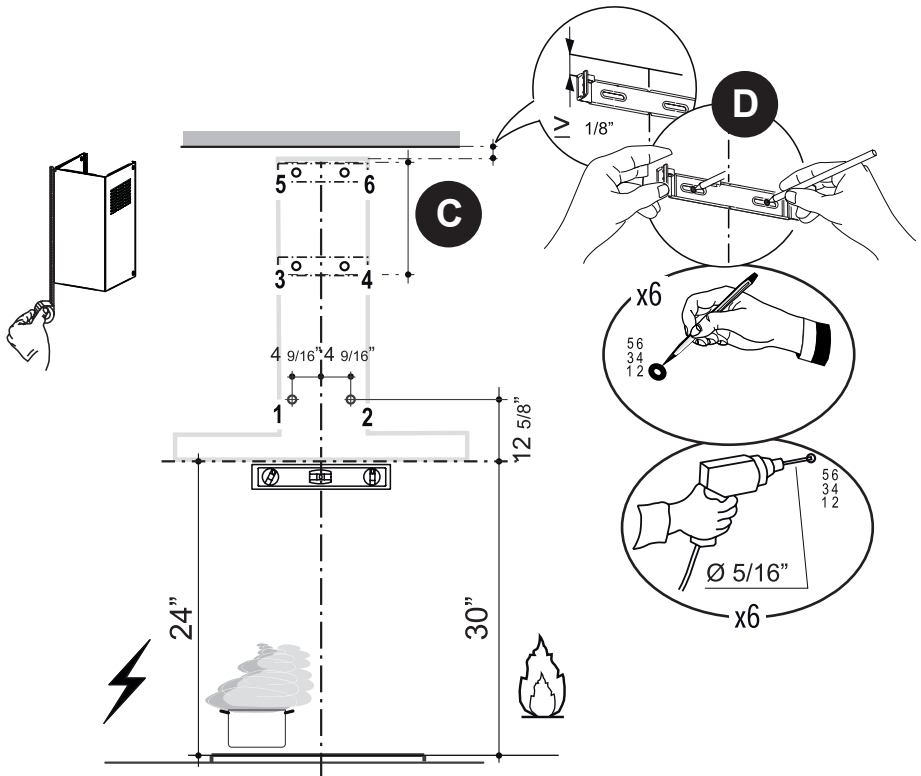
MIN. 24" OVER ELECTRIC/MIN. 30" OVER GAS



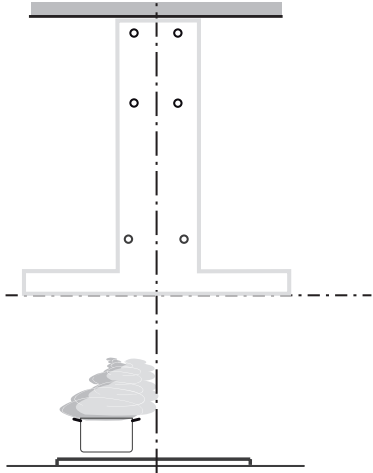


3

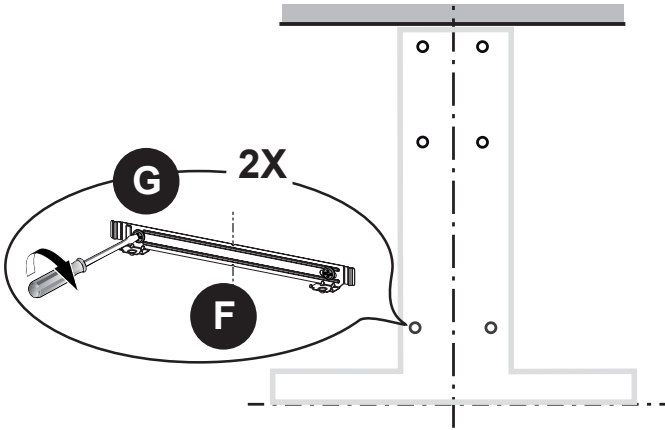
1. Place a bracket **D** on the wall as shown about 1/8" from the ceiling or upper limit, aligning the center (notch) with the vertical reference line **X** and mark the wall at the centers of the holes in the bracket.
2. Place the second bracket **D** on the wall as shown, below the first bracket, at the height of the upper chimney section **C** supplied and aligning the center (notch) with the vertical line.
3. Mark the wall at the centers of the holes in the bracket and mark the point 1 and 2 for the Hood Body installation as shown (12 5/8" from the horizontal line and 4 9/16" from the vertical line).
4. Drill  $\varnothing 5/16"$  holes at all the center points marked (point 1,2,3,4,5,6) as shown.



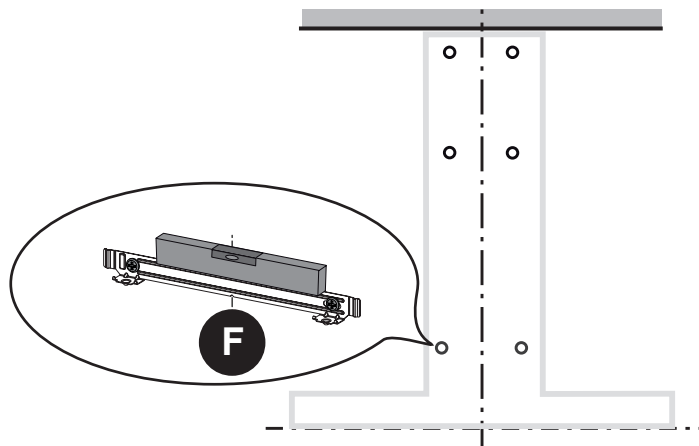
**4** Installation screws provided must be secured with wall plugs (purchase separately).



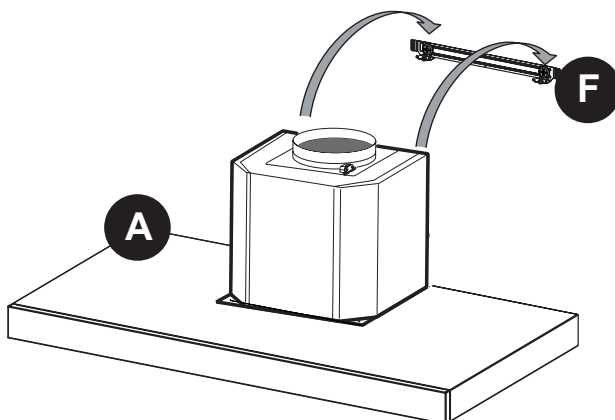
**5** Insert the two screws **G** supplied with the hood into the Wall Bracket **F** as shown and do not tighten all the way to wall leaving 3/16" of the screw heads exposed.



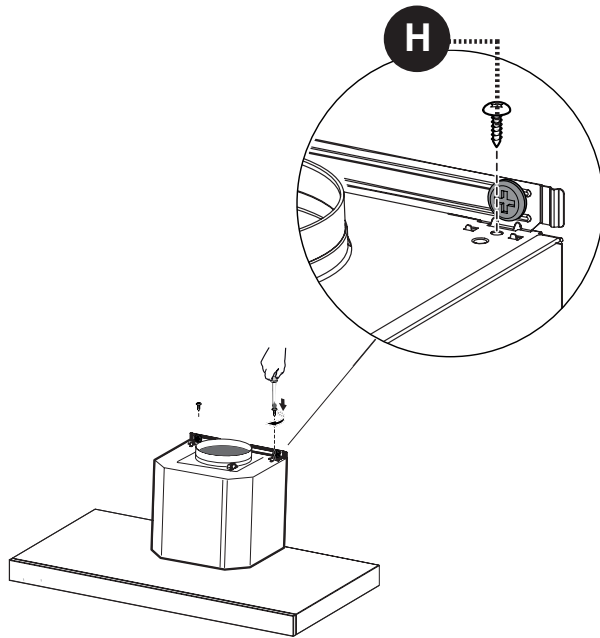
6 Use a level to insure that Wall Bracket **F** is level and then fully secure the two screws.



7 Hook the hood body onto the hood wall bracket **F**.



8 Tighten the 2 screws **H** as shown.

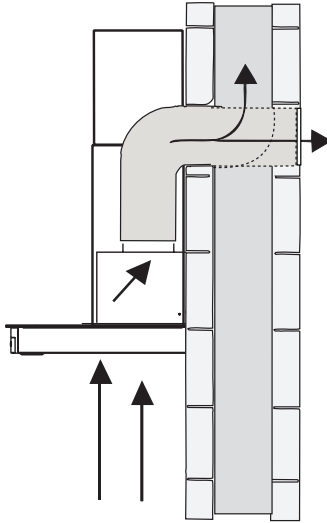


Phillips Screwdriver	
----------------------	--

# CHOOSING VENTING METHOD

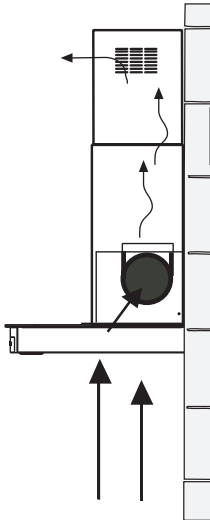
---

## VENTED



**Go to Pg.18**

## RECIRCULATING

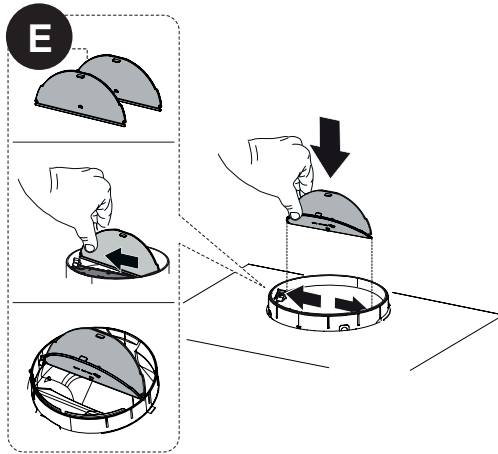


**Go to Pg.22**

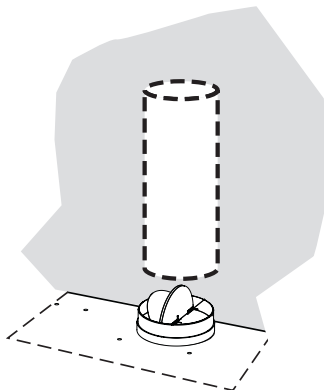
# ATTACH VENTING: VENTED

---

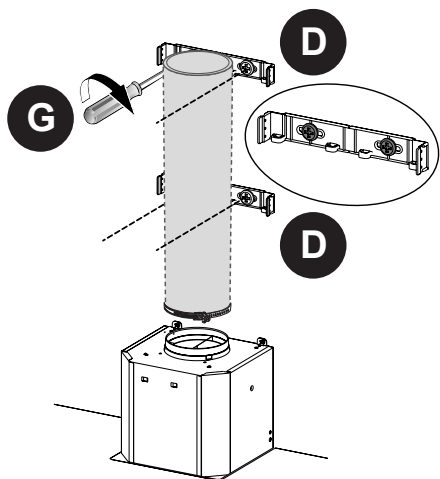
- 1 Install the Damper flaps **E** that are included with hood by snapping the tabs into place inside the top of the hood before connecting ductwork.



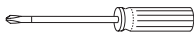
- 2 Install Roof or Wall Cap purchased separately. Connect the 6" metal ductwork to the Roof or Wall Cap and then attach ductwork. Seal with foil tape.



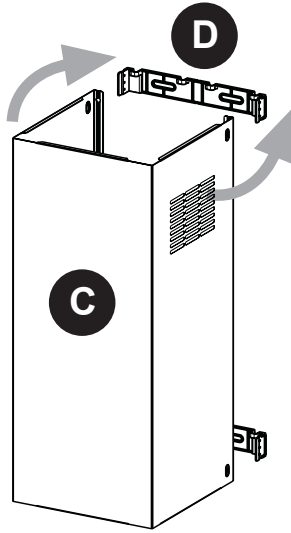
- 3 Install the 2 Chimney brackets **D** to the middle and upper holes and secure with screws **G** as shown.



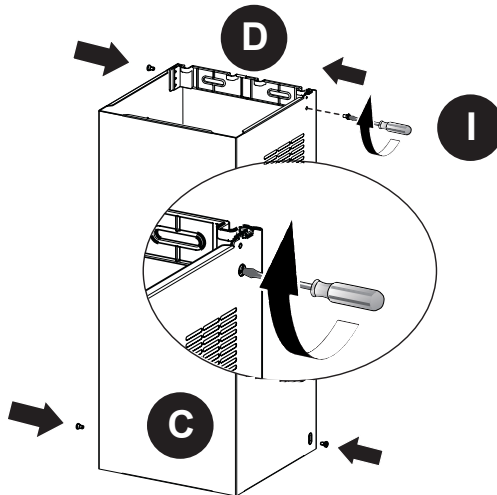
Phillips Screwdriver



- 4 Slightly widen the two sides of the upper chimney **C** and hook them behind the brackets **D**, making sure that they are well seated.



- 5 Secure the sides to the brackets by using the 4 screws **I**.

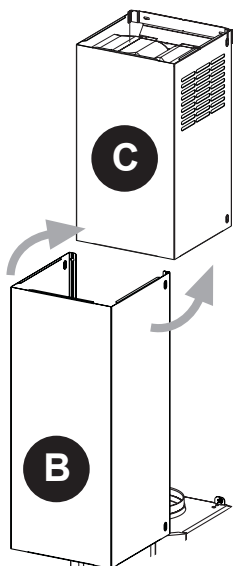


Torx Screwdriver

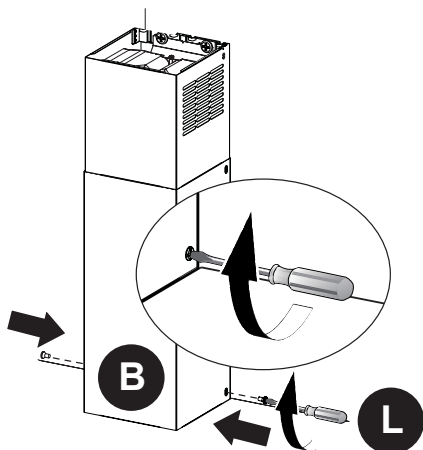




- 6 Slightly widen the two sides of the the lower chimney hood **B** and hook them between the upper section and the wall, making sure that they are properly housed.



- 7 Install the the lower chimney hood **B** laterally to the hood body using the 2 screws **L** supplied.

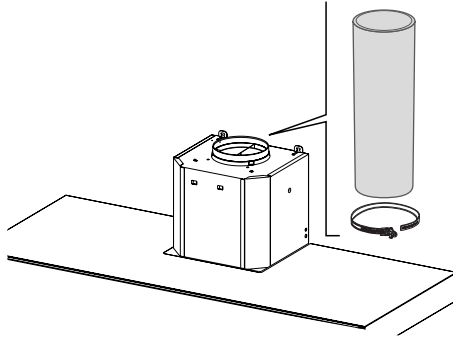


# ATTACH VENTING: RECIRCULATING

---

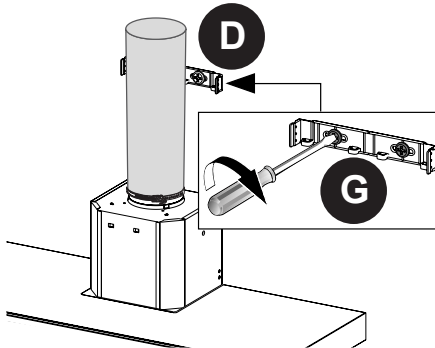
1

Only for the recirculation version, connect the hood to the Air outlet. Connect 6" metal ductwork to the hood air outlet with foil tape. The 6" ducting needs to be cut to the size of the distance between the air exit and the ductless diverter (see the next page).

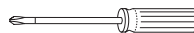


2

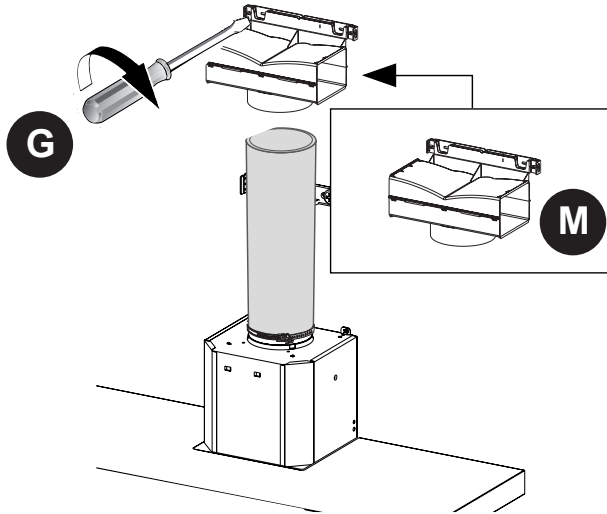
Install the lower Bracket **D** with two screws **G** supplied as shown.



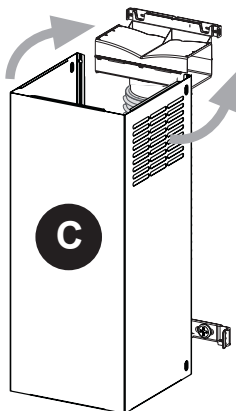
Phillips Screwdriver



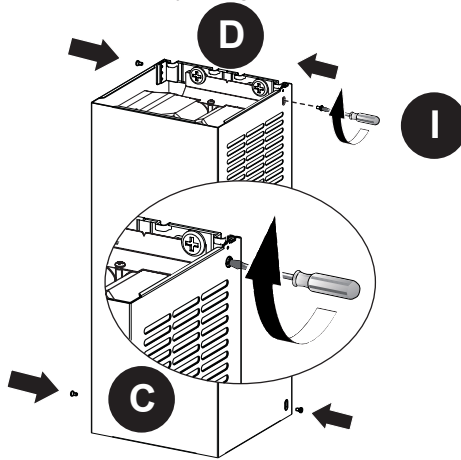
3 Install the Ductless Diverter **M** with two screws **G** supplied as shown.



4 Slightly widen the two sides of the upper chimney **C** and hook them behind the brackets and connect to the Ductless Diverter, making sure that they are well seated.



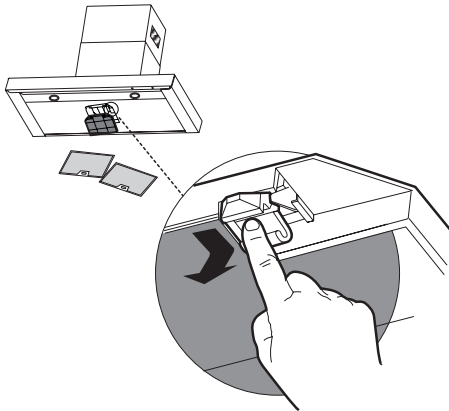
- 5 Secure the sides to the brackets **D** by using the 4 screws **I**.



Torx Screwdriver



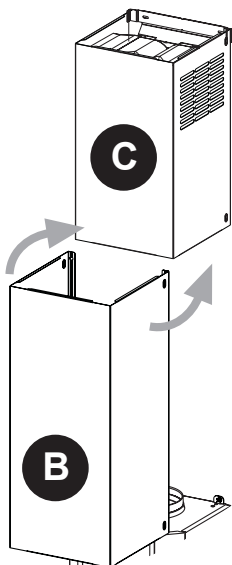
- 6 Attach a charcoal filter in the correct position and block it by the attaching hooks as shown. Unlock the hooks (push towards the back of the hood) to remove.



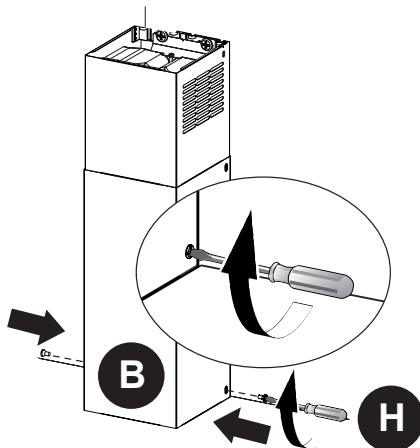
Required Activated Charcoal  
Filter Accessory - sku # 901497  
(purchased separately)



- 7 Slightly widen the two sides of the the lower chimney hood **B** and hook them between the upper section and the wall, making sure that they are properly housed.



- 8 Fix the the lower chimney hood **B** laterally to the hood body using the 2 screws **H** supplied.



Phillips Screwdriver	
----------------------	---

# CONNECTING HOUSE POWER

---

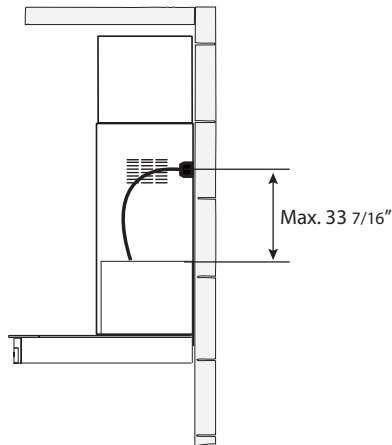
## GROUNDING INSTRUCTIONS

This appliance must be grounded. In the event of an electrical short circuit, grounding reduces the risk of electric shock by providing an escape wire for the electric current. This appliance is equipped with a cord with a grounding wire and grounding plug. The plug must be plugged into an outlet that is properly installed and grounded.

**WARNING** - Improper grounding can result in a risk of electric shock.

Consult a qualified electrician if the grounding instructions are not completely understood, or if doubt exists as to whether the appliance is properly grounded.

Do not use an extension cord. If the power supply cord is too short, have a qualified electrician install an outlet near the appliance.





**WARNING** - "The supply cord shall be accessible for inspection after installation".

# OPERATING THE CONTROLS

## FOR BEST RESULTS

Start the Range Hood several minutes before cooking to develop proper airflow. Allow the Range Hood to operate for several minutes after cooking is complete to clear all smoke and odors from the kitchen.



Button	Function
	Fan On/Off Button: Turns the blower On or Off. The fan can be operated by pressing any of the fan setting buttons. Hold down this button for 2 seconds to activate Delay off function which will keep the fan on for 15 minutes and automatically shut off.
<b>1</b>	Fan Speed Setting: Low Speed
<b>2</b>	Fan Speed Setting: Medium Speed
<b>3/i</b>	Fan Speed Setting: High Speed/Intensive Speed Hold down the button for 2 seconds to activate the intensive speed, which is timed to run for 10 minutes. At the end of this time it will automatically return to the speed set before. Suitable to deal with maximum levels of cooking fumes.
	Light button: On/Off switch for the lights.

NOTE: If your product has had a CFM adjustment, refer to the CFM adjustment manual for the information. Some motor speeds or functions may be reduced.

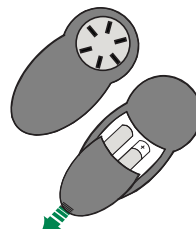
## Remote control information

The appliance can be controlled using a remote control powered by a 1.5 V carbon-zinc alkaline batteries of the standard LR03-AAA type (not included).

- Used batteries must be disposed of in the proper manner.







### Caution:

- Do not place the remote control near heat sources.
- Do not discard the batteries with normal waste, they must be put into the specific containers.
- Make sure the battery compartment is screwed down flat and is fully tightened.



## Remote Control control panel



	Motor	Motor On/Off.
	-	Decreases the working speed each time it is pressed.
	-	Increases the working speed each time it is pressed.
	Intensive	Activates/Deactivates Intensive operation.
	Delay	Brief pressure: Activates/Deactivates the Delay function: automatic switch-off with a 30' delay. The display shows the operating speed and the dot at the bottom right flashes once a second.
	Light	Lights On / Off.



# CLEANING STAINLESS STEEL

---

## Cleaning Exterior surfaces:

Please note, abrasives and scouring agents can scratch range hood finishes and should not be used to clean finished surfaces.

## Stainless Steel finish cleaning instructions:

Clean exterior surfaces with a commercially available stainless steel cleaner.

Use a soft microfiber cloth and to wipe going with the grain of the stainless steel.

# CARING FOR FILTERS

---

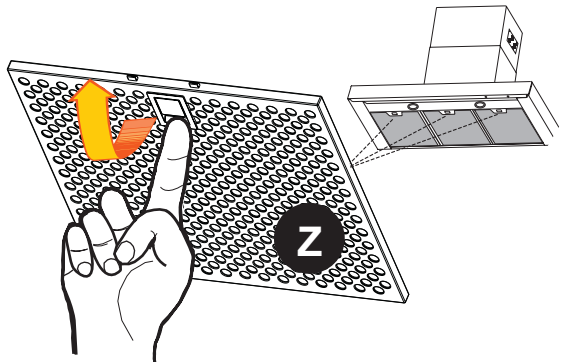
## CLEANING METAL GREASE FILTERS

The filters must be cleaned every 2 months of operation, or more frequently for particularly heavy usage, and can be washed in a dishwasher.

- Remove the Filters one at a time, pushing them towards the back of the unit and at the same time pulling downward.
- Wash the Filters without bending them, and leave them to dry completely before replacing. (If the surface of the filter changes colour as time goes by, this will have absolutely no effect on the efficiency of the filter itself.)
- Replace, taking care to ensure that the handle faces forwards.
- No water can be present in filters before installing back in hood.

### CAUTION:

Completely dry the Grease Filters after washing.



# REPLACING ACTIVATED CHARCOAL FILTER

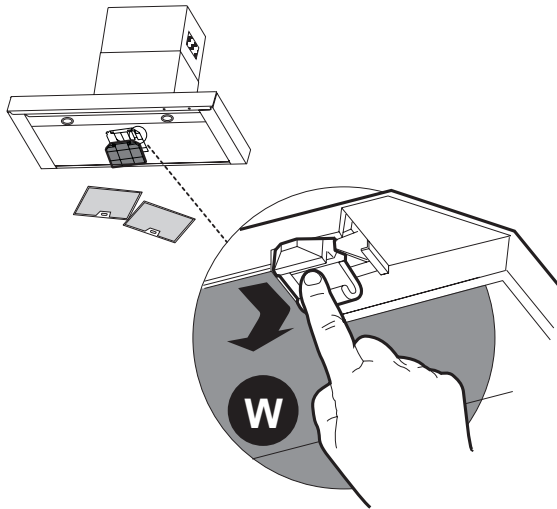
---

The filter is not washable and cannot be regenerated, and must be replaced approximately every 4 months of operation, or more frequently for particularly heavy usage.

- Remove the Filters one at a time, pushing them towards the back of the unit and at the same time pulling downward.
- Remove the saturated charcoal filter by releasing the hooks.
- Fit the new filter and fasten it in its correct position.
- Replace, taking care to ensure that the handle faces forwards.

**CAUTION:** When used in recirculation mode, to Reduce the Risk of Fire and Shock use only conversion kit Model # 901497.

Please contact the retailer that sold you the product to purchase carbon filters above.

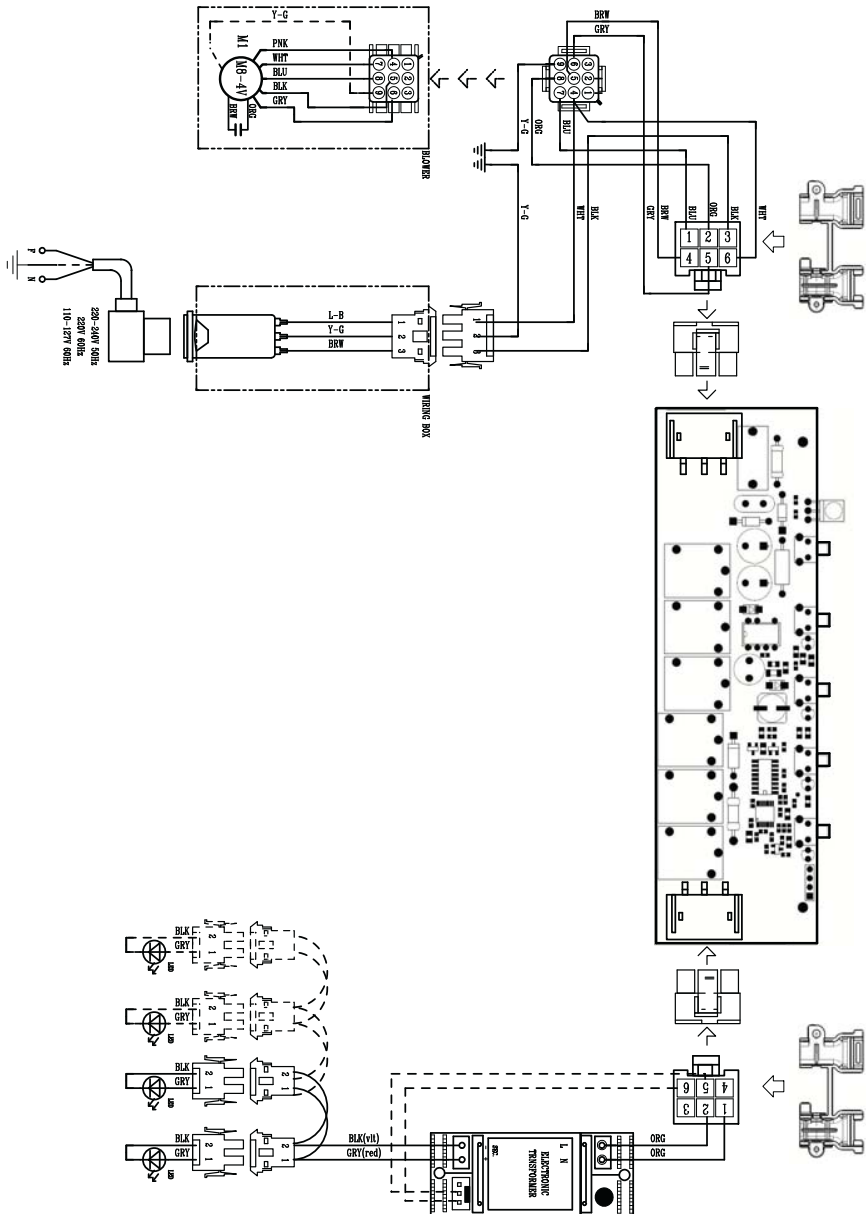


# REPLACING BULBS

---

**LED lights must be replaced by authorized service.**

# WIRING DIAGRAM



# WARRANTY

---

Please kindly register on our web site [www.bertazzoni.com](http://www.bertazzoni.com) to validate your new product warranty and help us to assist you better in case of any inconvenience.

## **TWO YEAR LIMITED WARRANTY**

The warranties provided by Bertazzoni SpA in this statement apply exclusively to Bertazzoni appliances and accessories sold as new products to the original owner by a Bertazzoni authorized distributor, retailer, dealer or service center and installed in the United States and Canada. The warranties provided in this statement are not transferable and have validity from the date of installation.

## **COVERAGE INFORMATION**

Bertazzoni SpA will repair or replace any component part which fails or proves defective due to materials and/or workmanship within 2 years from the date of installation and under conditions of normal residential use. Repair or replacement will be free of charge, including labor at standard rates and shipping expenses. Repair service must be performed by a Bertazzoni Authorized Service Center during normal working hours.

## **COSMETIC WARRANTY**

Bertazzoni will cover parts showing cosmetic defects in material and workmanship for a period of thirty (30) days from date of installation of the unit. This coverage will include scratches, stains, surface imperfections on stainless steel, paint and porcelain, with the exclusion of slight differences in color due to materials and painting/enamelling technologies.

Exclusions are labor costs, B stock items, out - of - box appliances and display units.

## **HOW TO OBTAIN SERVICE**

To obtain service please contact Bertazzoni Customer Service at the numbers below and make sure to have model number, serial number, and date of purchase ready. This information will be requested by our team and is crucial to speeding up resolution.

UNITED STATES <https://us.bertazzoni.com/more/support>

Phone: 866-905-0010

CANADA <https://ca.bertazzoni.com/more/support>

Phone : 800-361-0799

Save proof of original purchase or of original installation to establish warranty period. Copy of the product serial tag is affixed to the back cover of the instruction manual.

## **WHAT IS NOT COVERED**

- 1.The product used in any commercial/business application
- 2.Repair service provided by other than a Bertazzoni authorized service agent.
- 3.Damage or repair service to correct service provided by an unauthorized agency or the use of unauthorized parts.
- 4.Installation not in accordance with local electrical codes or plumbing codes.
- 5.Defects or damage due to improper storage of the product.
- 6.Defects or damage or missing parts on products sold out of the original factory packaging or from displays.
7. Service calls or repairs to correct the installation of the product and/or related accessories.
8. Service calls to connect, convert or otherwise repair the electrical wiring / gas line / water line to properly use the product.
9. Service calls to provide instructions on the use of a Bertazzoni product.
10. Repair service due to product usage in manner other than what is normal and customary for home use.
11. Replacement of wear and tear parts
- 12.Replacement of glasses and light bulbs if they are claimed to have failed later than 30 days after installation and in no case later than 4 months after date of purchase
13. Defects and damages arising from accident, alteration, misuse, abuse, improper installation.
14. Defects and damages arising from transportation of the product to the home of the owner.
- 15.Defects and damage arising from external forces beyond the control of Bertazzoni SpA such as fire, flood, earthquakes and other acts of God.

**In case the product will be installed in a remote area, where certified trained technicians are not reasonably available, the customer will be responsible for the transportation costs for the delivery of the product to the nearest authorized service center or for the displacement costs of a certified trained technician.**

**Bertazzoni does not assume any responsibility for incidental or consequential damages.**

Some states do not allow the exclusion or limitation of incidental or consequential damages, so the above limitation or exclusion may not apply to you. This warranty gives you specific legal rights and you may also have other rights which may vary from state to state or province to province.

# TABLE DES MATIÈRES

---

<b>Section</b>	<b>Page</b>
CONSIGNES DE SÉCURITÉ IMPORTANTES	34
DIMENSIONS DE LA HOTTE	37
EXIGENCE D'INSTALLATION EN HAUTEUR	38
PIÈCES	39
OUTILS NÉCESSAIRES	41
MÉTHODE D'AÉRATION	42
INSTALLATION	43
CHOIX DE LA MÉTHODE D'AÉRATION	48
RACCORDEZ L'AÉRATION : AÉRATION	49
RACCORDEZ L'AÉRATION : RECIRCULATION	53
BRANCHER LE COURANT DOMESTIQUE	57
UTILISATION DES COMMANDES	58
NETTOYAGE DE L'ACIER INOXYDABLE	60
ENTRETIEN DES FILTRES	60
REPLACEMENT FILTRE À CHARBONS ACTIFS	61
REPLACEMENT DES AMPOULES	61
SCHÉMA DE CÂBLAGE	62
GARANTIE	63

# CONSIGNES DE SÉCURITÉ IMPORTANTES

---

## LISEZ ET SAUVEGARDEZ CES INSTRUCTIONS AVANT DE COMMENCER L'INSTALLATION DE CETTE Hotte de cuisine

**AVERTISSEMENT : - AFIN DE RÉDUIRE LE RISQUE D'UN INCENDIE DE GRAISSE SUR LA CUISINIÈRE :**

- a) Ne laissez jamais les appareils de surface sans surveillance si les paramètres de réglage sont élevés. Les débordements causent des fumées et des projections de graisse susceptibles de prendre feu. Chauffez l'huile lentement à des valeurs basses à moyennes.
- b) Allumez toujours la hotte Always si vous cuisinez à une forte chaleur ou pour flamber les aliments (par ex. Crepes Suzette, Cherries Jubilee, Peppercorn Beef Flambé).
- c) Nettoyez fréquemment les ventilateurs. Évitez que la graisse ne s'accumule pas au niveau du ventilateur ou du filtre.
- d) Utilisez des casseroles de taille appropriée. Utilisez toujours des ustensiles de cuisson qui conviennent à la taille de l'élément de surface.

**AVERTISSEMENT : - POUR RÉDUIRE LES RISQUES DE BLESSURES EN CAS DE FEU DE GRAISSE SUR LA CUISINIÈRE, RESPECTEZ LES CONSIGNES SUIVANTES\* :**

- a) **ÉTOUFFEZ LES FLAMMES** avec un couvercle hermétique, une plaque à biscuits ou un plateau métallique, avant d'éteindre le brûleur. FAITES ATTENTION AUX POSSIBLES BRULURES. Si les flammes ne s'éteignent pas immédiatement, ÉVACUEZ LE LIEU ET APPELEZ LES POMPIERS.
- b) **NE RAMASSEZ JAMAIS UNE CASSEROLE EN FEU** pour ne pas risquer de vous brûler.
- c) **N'UTILISEZ PAS D'EAU**, ni de torchons ou de serviettes mouillés pour éviter une violente explosion de vapeur.
- d) Utilisez un extincteur **UNIQUEMENT** si :
  1. Vous savez que vous avez un extincteur de classe ABC, et vous savez déjà comment l'utiliser.
  2. Le feu est petit et circonscrit dans la zone où il a commencé.
  3. Veuillez appeler les pompiers.
  4. Vous pouvez combattre le feu en tournant le dos vers une sortie.

\* Basé sur "Kitchen Firesafety Tips" publié par NFPA

**AVERTISSEMENT - POUR RÉDUIRE LE RISQUE D'INCENDIE OU DE CHOC ÉLECTRIQUE, n'utilisez jamais ce ventilateur avec un dispositif de contrôle de vitesse à semi-conducteurs.**

**AVERTISSEMENT : POUR RÉDUIRE LES RISQUES D'INCENDIE, DE CHOC ÉLECTRIQUE OU DE BLESSURE, RESPECTEZ LES CONSIGNES SUIVANTES :**

- 1. N'utilisez cet appareil que selon les consignes et les instructions du fabricant. Si vous avez des questions, veuillez contacter le fabricant.
- 2. Avant de procéder à l'entretien ou au nettoyage de l'appareil, coupez l'alimentation électrique au niveau du panneau de service et verrouillez le dispositif de déconnexion afin d'éviter toute remise sous tension accidentelle. Si le dispositif de déconnexion ne peut pas être verrouillé, fixez solidement un dispositif d'avertissement bien visible, tel qu'une étiquette, au panneau de service.

**ATTENTION : Destiné à l'usage de ventilation uniquement. Ne l'utilisez jamais pour évacuer des matières et des vapeurs dangereuses ou explosives.**

**AVERTISSEMENT : POUR RÉDUIRE LES RISQUES D'INCENDIE, DE CHOC ÉLECTRIQUE OU DE BLESSURE, RESPECTEZ LES CONSIGNES SUIVANTES :**

1. Confiez les travaux d'installation et le câblage électrique à une ou plusieurs personnes qualifiées, conformément à tous les codes et normes en vigueur, y compris les constructions anti-incendie.
2. Une quantité d'air suffisante est nécessaire pour une bonne combustion et l'évacuation des gaz par le conduit de fumée (cheminée) de l'équipement de combustion, afin d'éviter le refoulement. Suivez les directives du fabricant de l'équipement de chauffage et les normes de sécurité telles que celles publiées par la National Fire Protection Association (NFPA) et l'American Society for Heating, Refrigeration and Air Conditioning Engineers (ASHRAE), ainsi que les autorités locales.
3. Lorsque vous découpez ou percez un mur ou un plafond, veillez à ne pas endommager le câblage électrique et les autres raccords de réseaux cachés.
4. Les ventilateurs à conduit doivent toujours être évacués vers l'extérieur.

TOUTES LES OUVERTURES DANS LES MURS ET LES PLANCHERS où la hotte EST INSTALLÉE DOIVENT ÊTRE SCELLÉES.

**Cette hotte nécessite un dégagement d'au moins 24** entre le bas de la hotte et la surface de cuisson ou le comptoir. Cette hotte a été approuvée par UL à cette distance de la table de cuisson. Ce dégagement minimum peut être plus élevé selon les codes du bâtiment locaux. Pour les tables de cuisson au gaz et les cuisinières combinées, un minimum de 30 pouces est recommandé et peut être exigé.

Les armoires suspendues des deux côtés de l'appareil doivent se trouver à au moins 18 pouces au-dessus de la surface de cuisson ou du comptoir. Consultez les instructions d'installation de la table de cuisson ou de la cuisinière remises par le fabricant avant de faire des découpes.

**INSTALLATION DANS LES MOBILES HOME** L'installation de cette hotte de cuisine doit être conforme aux normes de construction et de sécurité des mobile home, Title 24 CFR, Part 3280 (anciennement Federal Standard for Mobile Home Construction and Safety, Title 24, HUD, Part 280). Voir la section « Exigences électriques ».

## **EXIGENCES EN MATIÈRE DE VENTILATION**

Déterminez la méthode de ventilation qui convient le mieux à votre application. Les conduits peuvent passer soit par le mur, soit par le toit.

La longueur des conduits et le nombre de coudes doivent être réduits au minimum pour assurer une performance efficace. La taille des conduits doit être uniforme. N'installez pas deux coudes ensemble. Utilisez du ruban adhésif à conduits (métallique) pour sceller tous les joints du système de conduits. Utilisez du calfeutrage pour sceller l'ouverture du mur extérieur ou du plancher tout autour du capuchon.

**Les conduits flexibles ne sont pas recommandés. Les conduits flexibles créent une contre-pression et des turbulences d'air qui réduisent considérablement les performances optimales.**

Assurez-vous qu'il y a un dégagement approprié dans le mur ou le plancher pour le conduit d'évacuation avant de faire des découpes. Ne coupez pas une solive ou un poteau à moins que cela ne soit absolument nécessaire. Si une solive ou un poteau doit être coupé, prévoyez un cadre de support.

**AVERTISSEMENT - Pour réduire les risques d'incendie, utilisez uniquement des conduits métalliques.**

**ATTENTION - Pour réduire le risque d'incendie et pour faire évacuer correctement l'air, assurez-vous de la faire passer l'air à l'extérieur - Ne faites pas passer l'air évacué dans des espaces à l'intérieur des murs ou des plafonds ou dans des greniers, des vides sanitaires ou des garages.**

## Installations par temps froid

Un registre anti-refoulement supplémentaire de contre-tirage doit être installé pour minimiser le retour de l'air froid et une coupure thermique non métallique doit être installée pour minimiser la conduction des températures extérieures dans le système de ventilation. Le registre doit se trouver du côté de l'air froid de la rupture thermique. Cette dernière doit être aussi proche que possible de l'endroit où le système de ventilation entre dans la partie chauffée de la maison.



## AVERTISSEMENT

- Le système d'évacuation DOIT se terminer à l'extérieur de la maison.
- **ÉVITEZ** de faire aboutir les conduits dans un grenier ou un autre espace clos.
- **N'UTILISEZ PAS** de clapets de séchoir à 4 po.
- Les conduits de type flexible ne sont pas recommandés.
- **N'OBSTRUEZ PAS** le flux d'air de combustion et de ventilation.
- Le non-respect des exigences en matière de ventilation peut entraîner un incendie.

## EXIGENCES ÉLECTRIQUES

Une alimentation électrique de 120 volts, 60 Hz, uniquement en courant alternatif, est requise sur un circuit séparé à fusible de 15 ampères. Un fusible à retardement ou un disjoncteur est recommandé. La taille du fusible doit se conformer aux codes municipaux suivant la spécification électrique sur la plaque de série/d'identification située dans l'unité à côté du compartiment de câblage.



## AVERTISSEMENT

- Une mise à la terre électrique est requise sur cette hotte.
- Si le tuyau d'eau froide est interrompu par du plastique, des joints non métalliques ou d'autres matériaux, **NE PAS** l'utiliser pour la mise à la terre.
- **NE PAS** mettre à la terre un tuyau de gaz.
- **NE PAS** prévoir de fusible dans le circuit neutre ou de mise à la terre. Un fusible dans le circuit neutre ou de mise à la terre pourrait provoquer un choc électrique.
- Demandez conseil auprès d'un électricien qualifié si vous avez des doutes quant à la mise à la terre de la hotte.
- Le non-respect des exigences électriques peut entraîner un incendie.

## Avvertissement de la Proposition 65 de l'État de Californie (États-Unis seulement)

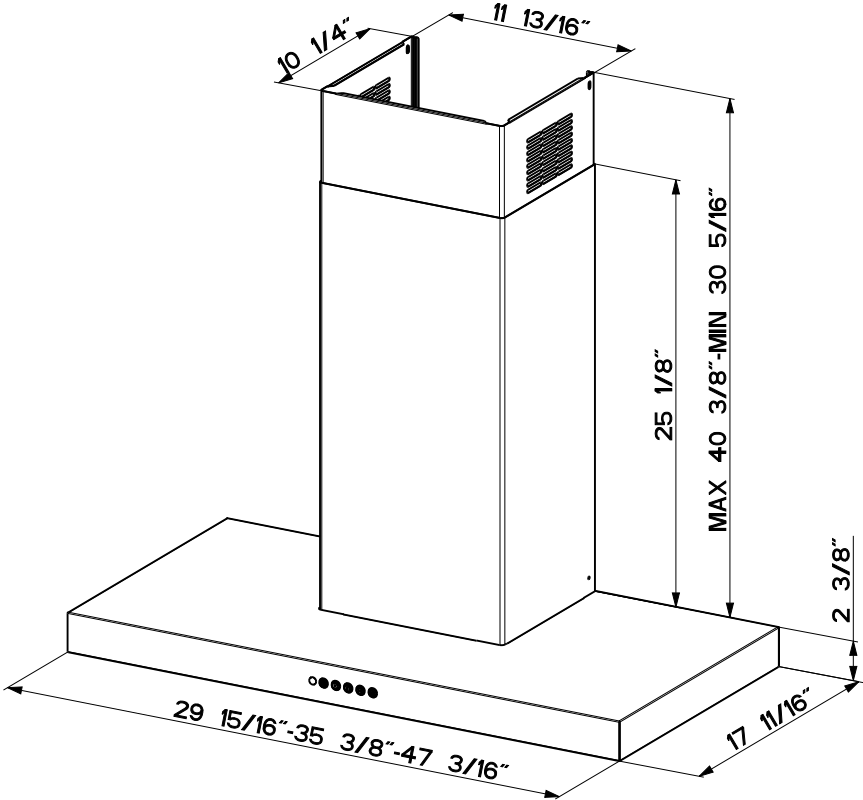
### AVERTISSEMENT

Ce produit contient des produits chimiques reconnus par l'État de Californie comme pouvant causer le cancer et des anomalies congénitales ou d'autres problèmes de reproduction. Pour plus d'informations, consultez le site [www.P65Warnings.ca.gov](http://www.P65Warnings.ca.gov)



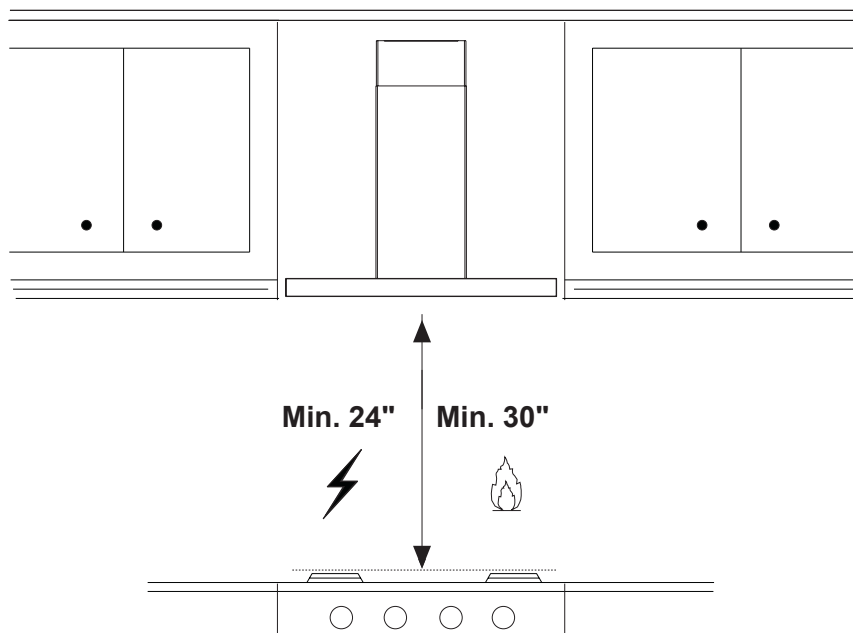
# DIMENSIONS DE LA HOTTE

---



# EXIGENCE D'INSTALLATION EN HAUTEUR

---



**MIN. 24" AU-DESSUS D'UN APPAREIL ÉLECTRIQUE**  
**MIN. 30" AU-DESSUS DU GAZ**

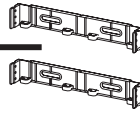
# PIÈCES

## PIÈCES INCLUSES

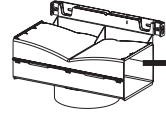
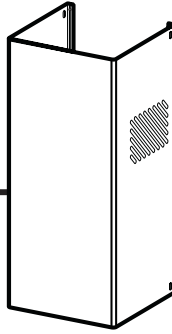
REF.	PIÈCE	QTÉ
<b>A</b>	Corps du capot	1
<b>B</b>	Cheminée inférieure télescopique	1
<b>C</b>	Cheminée supérieure télescopique	1
<b>D</b>	Supports de cheminée	2
<b>E</b>	Volets de registre	2
<b>F</b>	Supports muraux de la hotte	1
<b>M</b>	Déviateur sans conduit	1
<b>N</b>	Télécommande	1

REF	PIÈCE	QTÉ
<b>G</b>	Vis Pozi 3/16" x 1 3/4"	6
<b>H</b>	Vis Pozi (1/8" x 3/16")	2
<b>I</b>	Vis Torx 1/8" x 7/16"	4
<b>L</b>	Vis Torx (1/4" x 2 3/4")	2

D

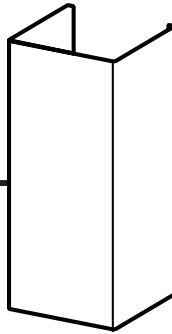


C



M

B



N

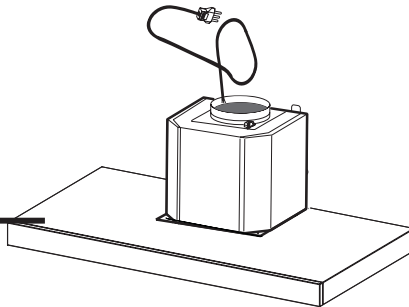
E



F






A



# PIÈCES (suite)




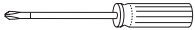



## PIÈCES NÉCESSAIRES (NON INCLUSES)

PIÈCE	
Conduit métallique rond de 6 po	
Chevilles pour cloison sèche ou autres fixations murales appropriées en fonction de votre installation.	
Ruban adhésif	

## ACCESSOIRES DISPONIBLES

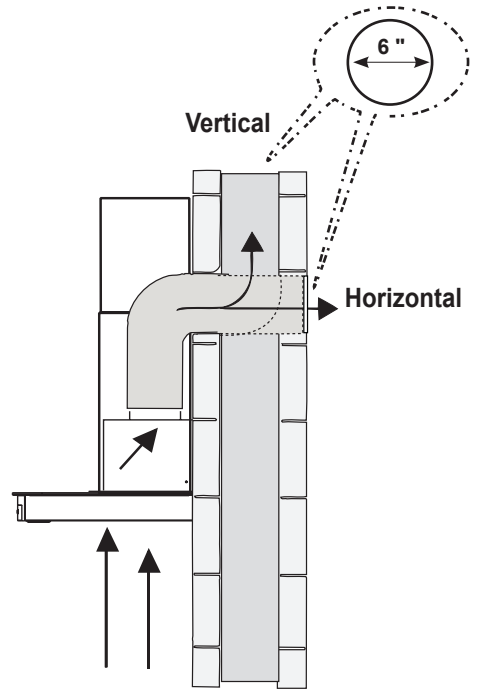
ACCESSOIRES	SKU#
Filtre à charbon actif de rechange	# 901497
Kit de cheminée pour plafond élevé - Conduit de cheminée supérieur et inférieur pour remplacer le conduit d'origine et s'adapter à des plafonds allant jusqu'à 11' (Modèles en acier inoxydable)	# 901583
Kit de filtre à chicane (Uniquement pour les modèles 36" et 48")	# 901582

## OUTILS NÉCESSAIRES

OUTIL	
Mètre ruban	
Crayon	
Perceuse électrique avec mèche de 5/16 po	
Tournevis Phillips	
Tournevis Torx	
Ciseaux à métaux	
Gants de travail	

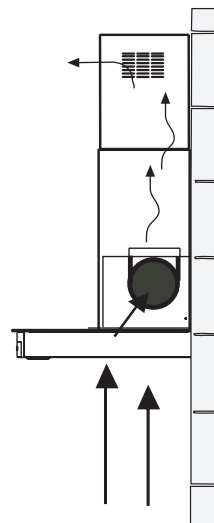
# MÉTHODE D'AÉRATION

## 1 AÉRATION



## RECIRCULATION

Nécessite l'achat du kit d'accessoires pour charbon actif # 901497.



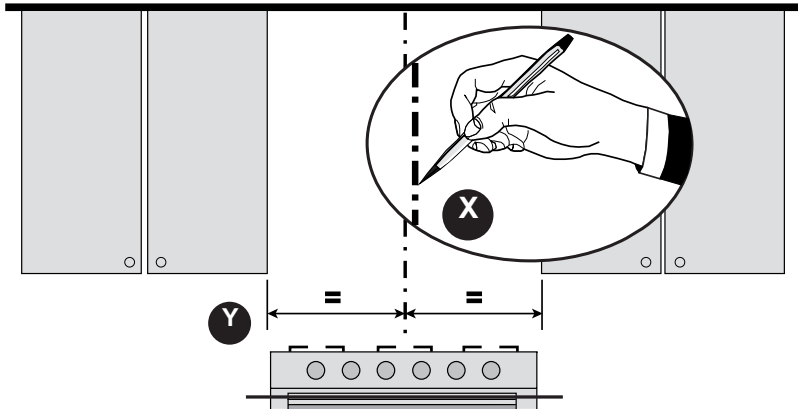
# INSTALLATION

2

## TRAÇAGE DE LIGNES CENTRALES

Traces une ligne verticale **X** sur le mur de support du plafond ou de la limite supérieure, au centre de la zone destinée à l'installation de la hotte.

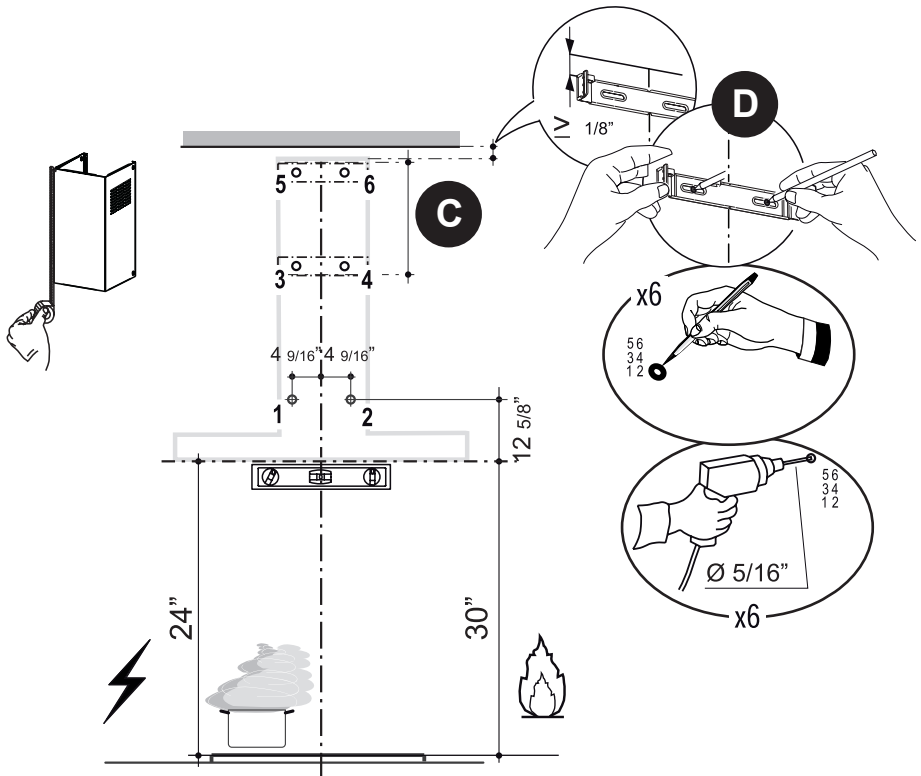
Tracez une ligne horizontale **Y** à l'endroit où le bord inférieur de la hotte sera situé, à un minimum de 24 po au-dessus d'une surface de cuisson électrique et de 30 po au-dessus d'une surface de cuisson au gaz.



**MIN. 24" AU-DESSUS DE L'ÉLECTRICITÉ/MIN. 30" AU-DESSUS DU GAZ** **Y**

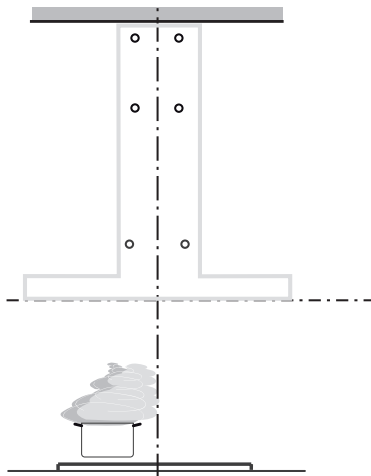
**3**

1. Placez un support **D** sur le mur, tel qu'illustré, à environ 1/8" du plafond ou de la limite supérieure, en alignant le centre (encoche) avec la ligne de référence **X** verticale et marquez le mur aux centres des trous du support.
2. Placez le deuxième support **D** sur le mur comme indiqué, sous le premier, à la hauteur de la section supérieure de la cheminée **C** fournie et en alignant le centre (encoche) avec la ligne verticale.
3. Marquez le mur aux centres des trous dans le support et marquez les points 1 et 2 pour l'installation du corps de la hotte comme indiqué (12 5/8" de la ligne horizontale et 4 9/16" de la ligne verticale).
4. Percez des trous de  $\varnothing$  5/16" à tous les points centraux marqués (points 1, 2, 3, 4, 5, 6) comme indiqué.

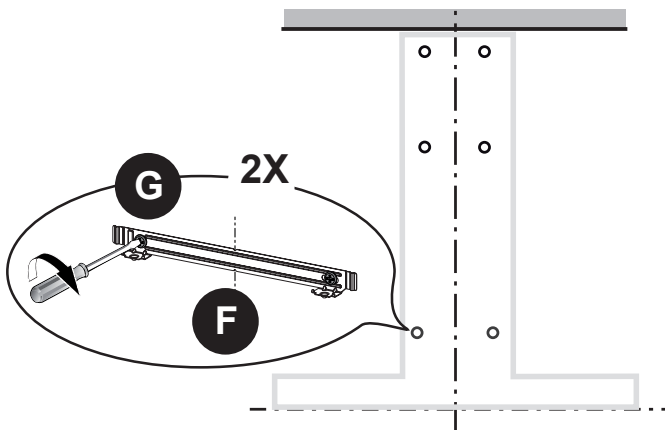




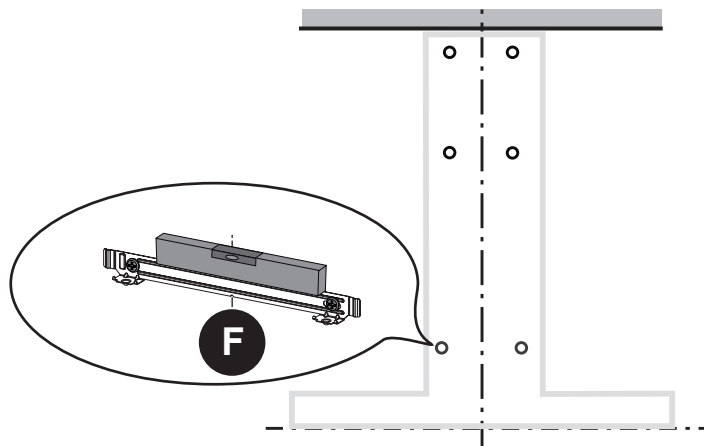
- 4 Les vis d'installation fournies doivent être fixées avec des chevilles murales (à acheter séparément).



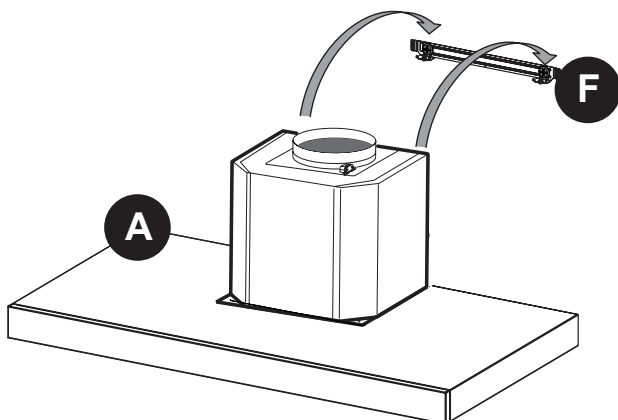
- 5 Insérez les deux vis **G** fournies avec la hotte dans le support mural **F** comme indiqué sans les serrer à fond en laissant 3/16" des têtes de vis exposées.



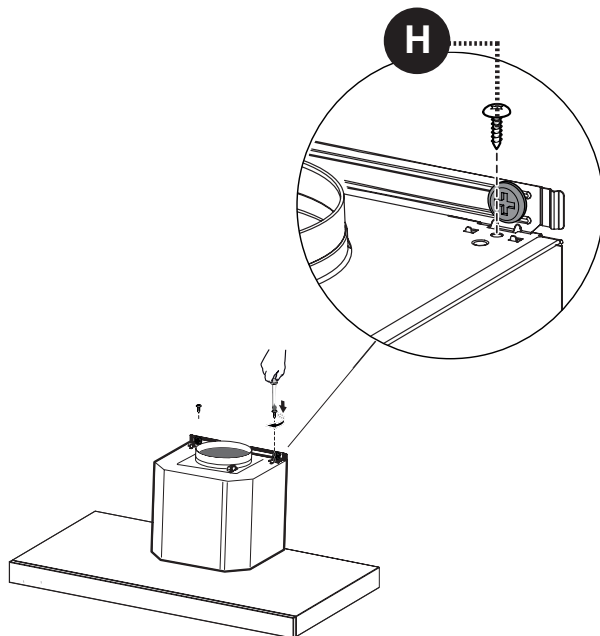
- 6 Utilisez un niveau pour vous assurer que le support mural **F** est de niveau, puis fixer complètement les deux vis.



- 7 Accrochez le corps de la hotte à son support mural **F**.



8 Serrez les 2 vis **H** comme illustré.

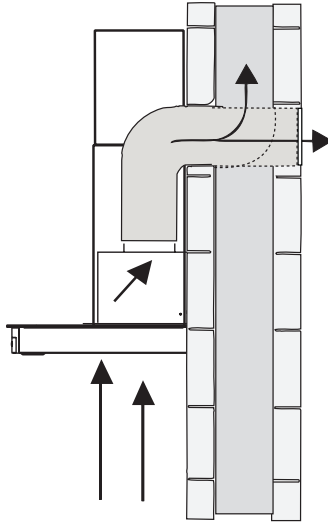


Tournevis Phillips	
--------------------	--

# CHOIX DE LA MÉTHODE D'AÉRATION

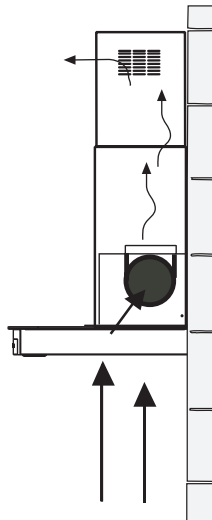
---

## AÉRATION



**Aller à Pg.49**

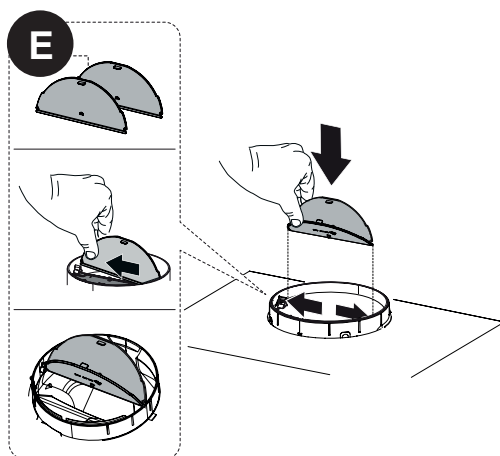
## RECIRCULATION



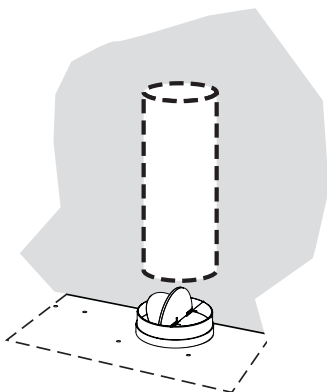
**Aller à la Pg.53**

# RACCORDEZ L'AÉRATION : AÉRATION

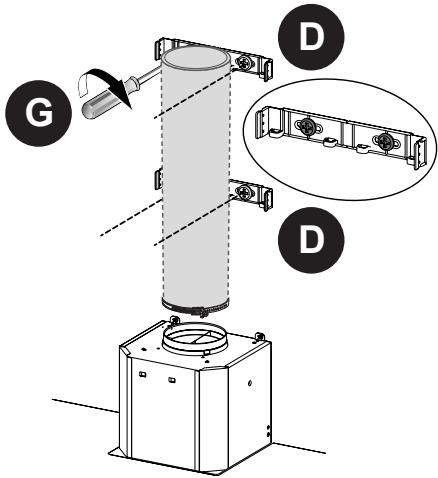
- 1 Installez les volets du clapet **E** fournis avec la hotte en mettant les languettes en place à l'intérieur du haut de la hotte avant de raccorder les conduits.



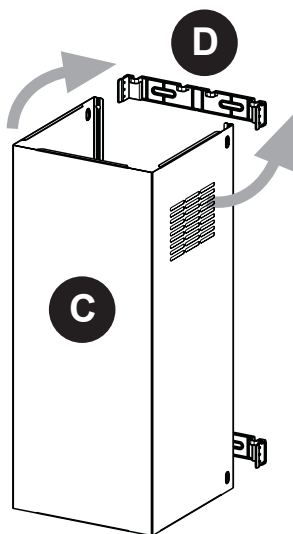
- 2 Installez le capuchon de toit ou de mur acheté séparément. Raccordez la gaine métallique de 6 po au capuchon de toit ou de mur, puis fixez la gaine. Scellez avec du ruban adhésif.



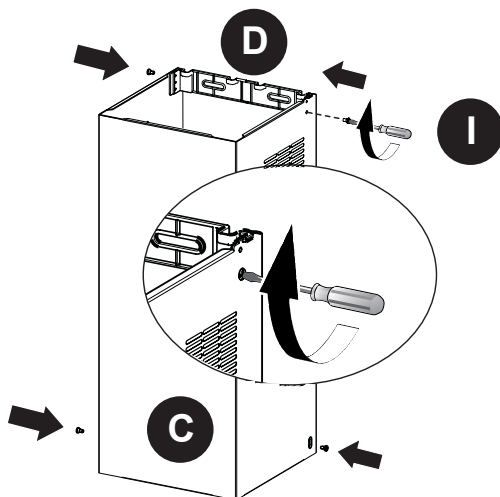
**3** Installez les 2 supports de cheminée **D** dans les trous du milieu et du haut et fixez-les avec des vis **G** comme indiqué.



- 4 Élargissez légèrement les deux côtés de la cheminée supérieure **C** et accrochez-les derrière les supports, **D**, en vous assurant qu'ils sont bien en place.



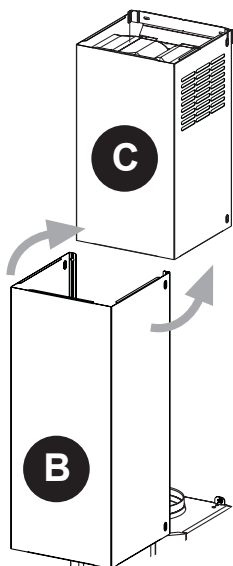
- 5 Fixez les côtés aux supports à l'aide des 4 vis **I**.



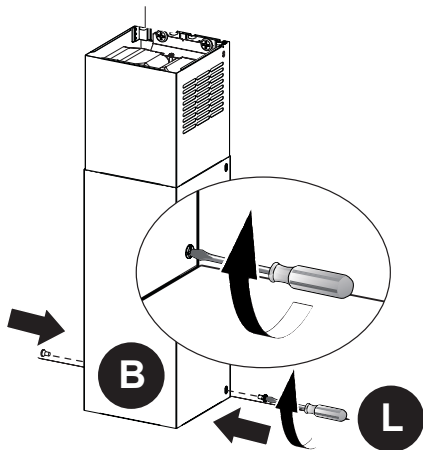
Tournevis Torx



- 6 Élargissez légèrement les deux côtés de la hotte inférieure **B** et accrochez-les entre la section supérieure et le mur, en veillant à ce qu'ils soient bien logés.



- 7 Installez la hotte de cheminée inférieure latéralement **B** sur le corps de la hotte à l'aide des 2 vis **L** fournies.

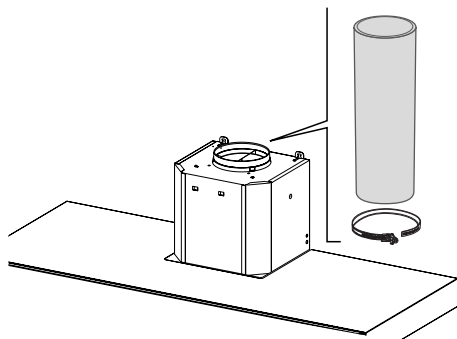




# RACCORDEZ L'AÉRATION : RECIRCULATION

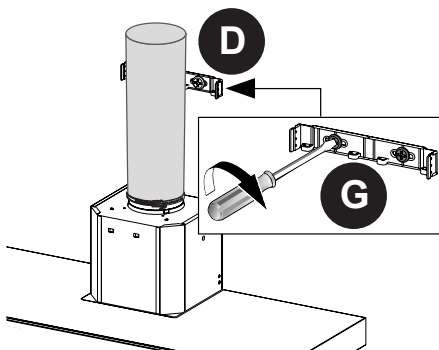
1

Uniquement pour la version à recirculation, raccordez la hotte à la sortie d'air. Raccordez un conduit métallique de 6" à la sortie d'air de la hotte avec du ruban adhésif. Le conduit de 6" doit être coupé à la taille de la distance entre la sortie d'air et le déviateur sans conduit (voir la page suivante).



2

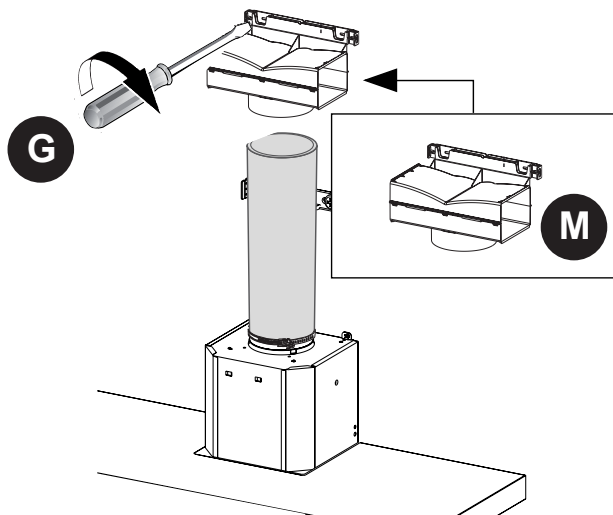
Installez le support inférieur **D** avec les deux screws **G** fournies, comme sur l'illustration.



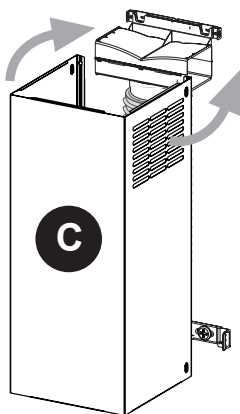
Tournevis Phillips



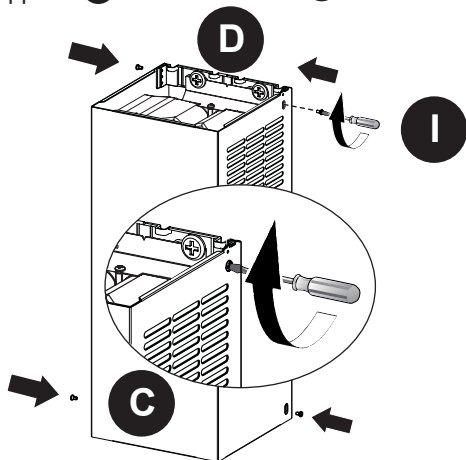
- 3 Installez le déflecteur sans conduit **M** avec les deux vis fournies **G** comme sur l'illustration.



- 4 Élargissez légèrement les deux côtés de la cheminée supérieure **C**, accrochez-les derrière les supports et raccordez-les au déflecteur sans conduit, en vous assurant qu'ils sont bien en place.



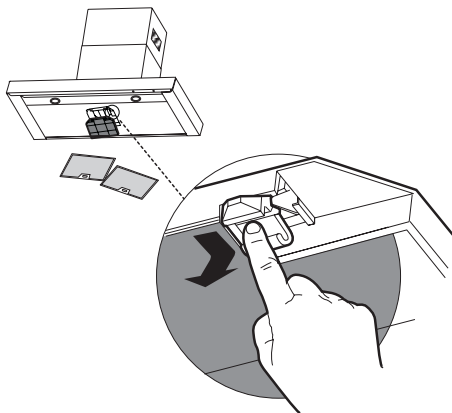
- 5 Fixez les côtés aux supports **D** à l'aide des 4 vis **I**.



Tournevis Torx



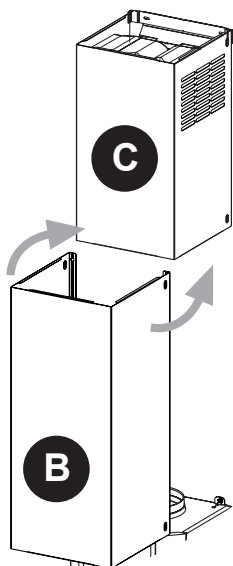
- 6 Fixez un filtre à charbon dans la position correcte et bloquez-le par les crochets de fixation comme indiqué. Déverrouillez les crochets (poussez vers l'arrière de la hotte) pour les retirer.



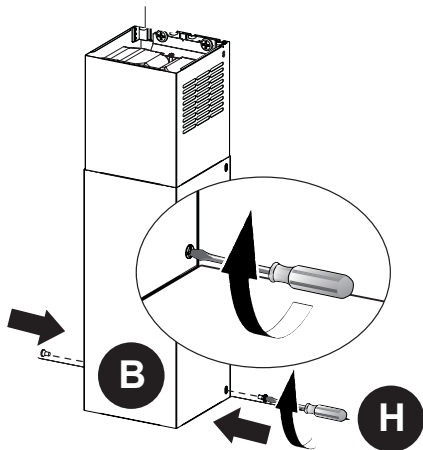
Accessoire requis pour le filtre  
à charbon actif - sku # 901497  
(acheté séparément)



- 7 Élargissez légèrement les deux côtés de la hotte inférieure **B** et accrochez-les entre la section supérieure et le mur, en veillant à ce qu'ils soient bien logés.



- 8 Fixez la hotte de cheminée inférieure latéralement **B** sur le corps de la hotte à l'aide des 2 vis **H** fournies.



# BRANCHER LE COURANT DOMESTIQUE

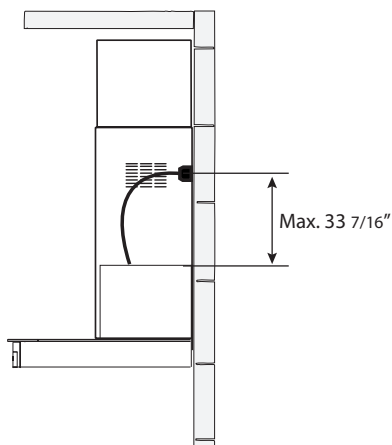
---

## INSTRUCTIONS DE MISE À LA TERRE

Cet appareil doit être mis à la terre. En cas de court-circuit électrique, la mise à la terre réduit le risque de choc électrique grâce à un fil de fuite pour le courant électrique. Cet appareil est équipé d'un cordon avec un fil de mise à la terre et une fiche de mise à la terre. Veuillez brancher cette fiche dans une prise de courant correctement installée et mise à la terre.

**AVERTISSEMENT** - Une mise à la terre incorrecte peut entraîner un risque de choc électrique.

Consultez un électricien qualifié si vous ne comprenez pas parfaitement les instructions de mise à la terre ou si vous avez des doutes quant à la mise à la terre de l'appareil. N'utilisez pas de rallonge électrique. Si le câble d'alimentation est trop court, demandez à un électricien qualifié d'installer une prise à proximité de l'appareil.





**AVERTISSEMENT** - « Le cordon d'alimentation doit être accessible pour inspection après l'installation ».

# UTILISATION DES COMMANDES

## POUR DE MEILLEURS RÉSULTATS

Mettez la hotte en marche plusieurs minutes avant de cuisiner afin de développer une circulation d'air adéquate. Laissez la hotte fonctionner pendant plusieurs minutes après la fin de la cuisson afin d'évacuer la fumée et les odeurs de la cuisine.



Bouton	Fonction
	Bouton de marche/arrêt du ventilateur : Permet d'allumer ou d'éteindre le ventilateur. Le ventilateur peut être actionné en appuyant sur l'un des boutons de réglage du ventilateur. Maintenez ce bouton enfoncé pendant 2 secondes pour activer la fonction d'arrêt différé qui maintient le ventilateur en marche pendant 15 minutes et l'arrête automatiquement.
<b>1</b>	Réglage de la vitesse du ventilateur : Basse vitesse
<b>2</b>	Réglage de la vitesse du ventilateur : Medium Speed (vitesse moyenne)
<b>3/i</b>	Réglage de la vitesse du ventilateur : Vitesse élevée/vitesse intensive Maintenez le bouton enfoncé pendant 2 secondes pour activer la vitesse intensive, qui est programmée pour fonctionner pendant 10 minutes. A la fin de cette période, l'appareil revient automatiquement à la vitesse réglée précédemment, ce qui permet de traiter les niveaux maximums de fumées de cuisson.
	Bouton d'éclairage : Interrupteur marche/arrêt pour les lumières.

REMARQUE : Si votre produit a fait l'objet d'un réglage du CFM, reportez-vous au manuel de réglage du CFM pour obtenir des informations. Certaines vitesses ou fonctions du moteur peuvent être réduites.

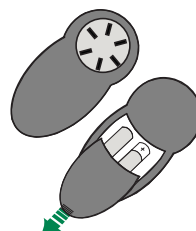
## Informations sur la télécommande

L'appareil peut être contrôlé à l'aide d'une télécommande alimentée par des piles alcalines carbone-zinc de 1,5 V de type standard LR03-AAA (non fournies).

- Les piles usagées doivent être mises au rebut de manière appropriée.







### Attention :

- Ne placez pas la télécommande à proximité de sources de chaleur.
- Ne jetez pas les piles avec les déchets normaux, elles doivent être mises dans les conteneurs spécifiques.
- Assurez-vous que le compartiment à piles est vissé à plat et qu'il est entièrement serré.



## Panneau de commande de la télécommande



	Moteur	Marche/Arrêt du moteur.
	-	Diminue la vitesse de travail à chaque pression.
	-	Augmente la vitesse de travail chaque fois que vous appuyez sur cette touche.
	Intensif	Active/désactive le fonctionnement intensif.
	Delay	Pression brève : Active/désactive la fonction Delay : arrêt automatique avec un délai de 30'. L'écran affiche la vitesse de fonctionnement et le point en bas à droite clignote une fois par seconde.
	Lumière	Allume / éteint la lumière.

# NETTOYAGE DE L'ACIER INOXYDABLE

---

## Nettoyage des surfaces extérieures :

Veillez noter que les abrasifs et les produits à récurer peuvent rayer les finitions des hottes de cuisine et ne doivent pas être utilisés pour nettoyer les surfaces finies.

## Instructions de nettoyage de la finition en acier inoxydable :

Nettoyez les surfaces extérieures avec un nettoyant pour acier inoxydable commercialisé. Utilisez un chiffon doux en microfibres et essuyez dans le sens du grain de l'acier inoxydable.

# ENTRETIEN DES FILTRES

---

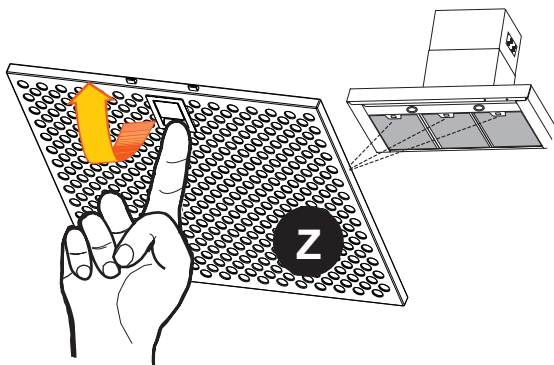
## NETTOYAGE DES FILTRES MÉTALLIQUES À GRAISSE

Les filtres doivent être nettoyés tous les 2 mois de fonctionnement, ou plus fréquemment en cas d'utilisation particulièrement intensive ; possibilité de les laver au lave-vaisselle.

- Retirez les filtres un par un, en les poussant vers l'arrière de l'appareil et en tirant en même temps vers le bas.
- Lavez les filtres sans les plier et laissez-les sécher complètement avant de les remettre en place. (Si la surface du filtre change de couleur au fil du temps, cela n'aura absolument aucun effet sur l'efficacité du filtre lui-même).
- Remettez-le en place en veillant à ce que la poignée soit orientée vers l'avant.
- Les filtres ne doivent pas contenir d'eau avant d'être réinstallés dans la hotte.

### ATTENTION :

Séchez complètement les filtres à graisse après les avoir lavés.





## REPLACEMENT FILTRE À CHARBONS ACTIFS

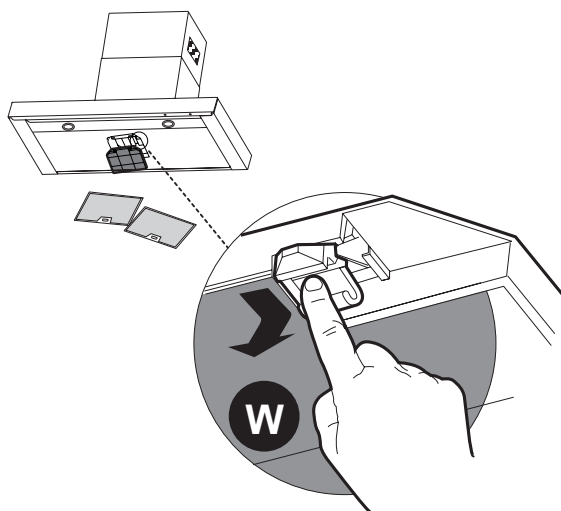
---

Il doit être remplacé environ tous les 4 mois de fonctionnement, ou plus fréquemment en cas d'utilisation particulièrement intensive.

- Retirez les filtres un par un, en les poussant vers l'arrière de l'appareil et en tirant en même temps vers le bas.
- Retirez le filtre à charbon saturé en dégageant les crochets.
- Installez le nouveau filtre et fixez-le dans sa position correcte.
- Remettez-le en place en veillant à ce que la poignée soit orientée vers l'avant.

**ATTENTION :** Lorsqu'il est utilisé en mode recirculation, pour réduire le risque d'incendie et de choc, utilisez uniquement le kit de conversion modèle # 901497.

Veillez contacter le détaillant qui vous a vendu le produit afin de vous procurer les filtres à charbon ci-dessus. »

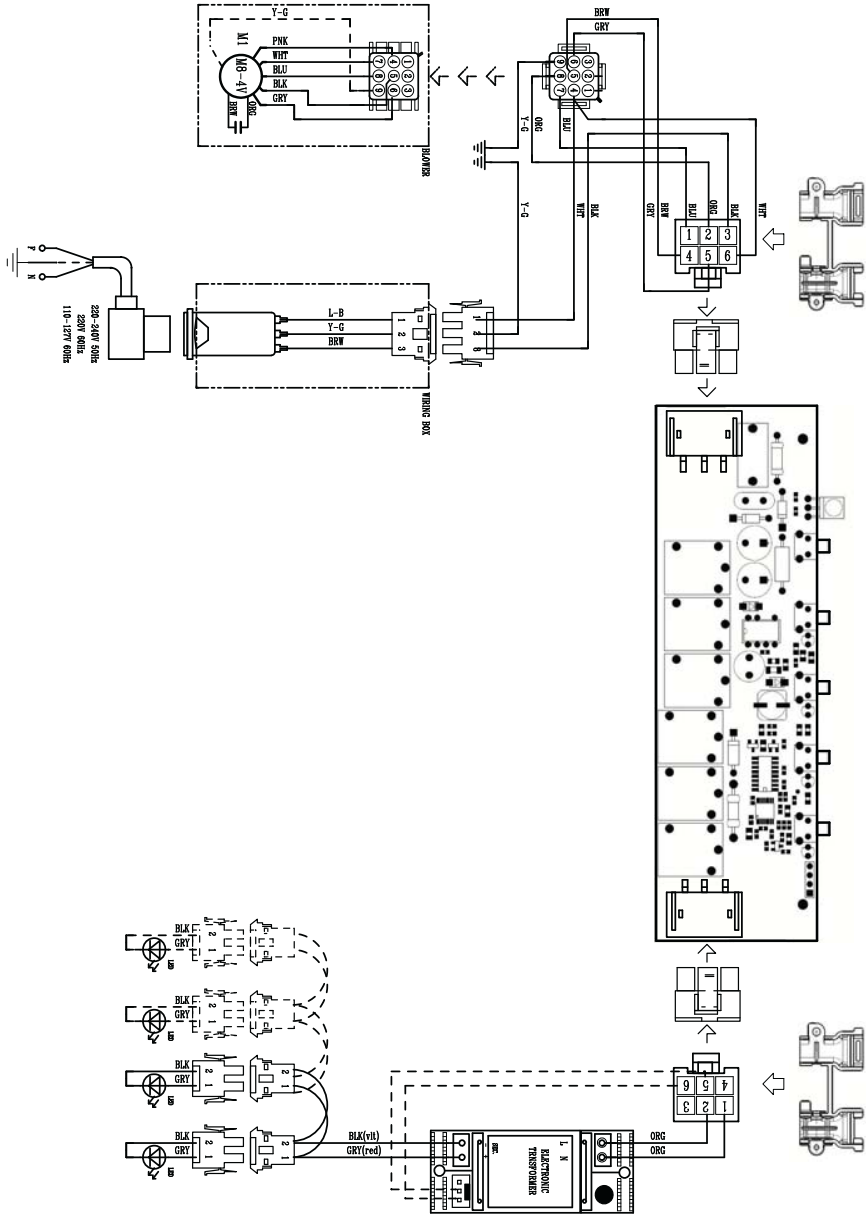


## REPLACEMENT DES AMPOULES

---

Les ampoules à DEL doivent être remplacées par un service autorisé.

# SCHÉMA DE CÂBLAGE



# GARANTIE

Nous Vous prions de bien vouloir vous enregistrer sur notre site web [www.bertazzoni.com](http://www.bertazzoni.com) pour valider votre garantie du nouveau produit et nous aider à Vous aider dans le cas de dommages.

## GARANTIE LIMITEE DE DEUX ANS

Les garanties offertes par Bertazzoni SpA dans cette déclaration s'appliquent exclusivement aux appareils et composants Bertazzoni vendus comme neufs au propriétaire original par un distributeur, détaillant, concessionnaire ou centre de service autorisé et installés aux États-Unis et Canada. Les garanties fournies dans cette déclaration peuvent pas être transférées et sont valables à partir de la date d'installation.

### INFORMATIONS SUR LA COUVERTURE

Bertazzoni SpA procédera à la réparation ou remplacera tout composant défectueux à cause des matériaux et/ou fabrication pendant 2 ans à compter de la date d'installation et dans les conditions normales d'utilisation dans le cadre familial. La réparation ou le remplacement sera effectué à titre gratuit et inclura les frais de main-d'œuvre et les matériaux et les frais d'expédition. Les réparations doivent être effectuées par un Centre de Service Bertazzoni Autorisé pendant les heures de travail normales. Les défauts doivent être signalés dans les 30 jours qui suivent l'installation. Cette garantie ne couvre pas l'utilisation du produit dans le cadre commercial.

### GARANTIE ESTHÉTIQUE

Bertazzoni SpA couvre les pièces présentant des défauts cosmétiques de matériaux et de fabrication pour une période de trente (30) jours à compter de la date d'installation de l'unité. Cette couverture inclut les rayures, les taches, les imperfections de surface sur l'acier inoxydable, de la peinture et de la porcelaine, à l'exclusion de légères différences de couleur dues à des matériaux et des technologies de peinture / émailage.

**Les coûts de main-d'œuvre, B stock, appareils out-of-box et les unités d'affichage sont exclus COMMENT OBTENIR LE SERVICE CLIENT**

Pour obtenir le service de garantie, veuillez contacter Bertazzoni Customer Service aux numéros indiqués ci-dessous et fournir le numéro du modèle, le numéro de série et la date d'achat.

Cette information sera demandée par notre équipe et sera très importante pour accélérer la résolution du problème.

UNITED STATES

<https://us.bertazzoni.com/more/support>

Phone: 866-905-0010

CANADA

<https://ca.bertazzoni.com/more/support>

Phone : 800-361-0799

Il faut conserver la preuve d'achat ou l'origine de l'installation afin d'établir la période de garantie. Une copie du numéro de série sera collée derrière le manuel d'emploi.

### CE QUI NE SERA PAS PRIS EN CHARGE

1. Le produit utilisé dans toute application commerciale/commerciale.
2. Service de réparation fourni par un agent de service autorisé autre que Bertazzoni.
3. N'importe quel dommage ou service de réparation nécessaire pour corriger un service effectué par un agent non autorisé et/ou par suite d'utilisation de pièces non autorisées.
4. Installation non conforme aux codes électriques locaux ou aux codes de plomberie.
5. Les défauts ou dommages dus à une mauvaise conservation du produit.
6. Les défauts ou dommages et les pièces ou liesses sur les produits vendus au dehors de l'emballage d'origine ou d'affichage.
7. Les appels de service ou des réparations pour corriger l'installation du produit et / ou accessoires.
8. Les appels de service pour se connecter, ou réparer le câblage électrique et / ou de gaz afin d'utiliser le produit d'une façon correcte.
9. Les appels de service pour fournir des instructions sur l'utilisation d'un produit Bertazzoni.
10. Service de réparation dû à une utilisation différente que celle standard et habituel à la maison.
11. Remplacement des pièces d'usure.
12. Remplacement des verres et des ampoules si elles sont échouées au plus tard 30 jours après l'installation et en aucun cas plus tard 4 mois après la date d'achat.
13. Défauts et dommages résultant d'un accident, modification, mésusage, abus, mauvaise installation.
14. Défauts et dommages résultant du transport du produit à la maison du propriétaire.
15. Les défauts et les dommages résultant de forces externes qui échappent au contrôle de Bertazzoni SpA tels que les incendies, les inondations, les tremblements de terre et autres catastrophes naturelles.

**Au cas où le produit sera installé dans une zone, là où techniciens qualifiés certifiés ne sont pas raisonnablement disponibles, le client sera responsable des coûts de transport pour la livraison du produit au centre de service autorisé le plus proche, ou pour les coûts de déplacement d'un technicien qualifié certifié Bertazzoni exclut toute responsabilité pour les dommages accidentels ou indirects.** Certains pays n'autorisent pas l'exclusion ou la limitation des dommages accidentels ou indirects, la limitation indiquée ci-dessus peut donc ne pas s'appliquer à vous. Cette garantie vous offre des droits spécifiques et vous pouvez bénéficier d'autres droits qui peuvent varier d'un État à l'autre et d'une province à l'autre.

