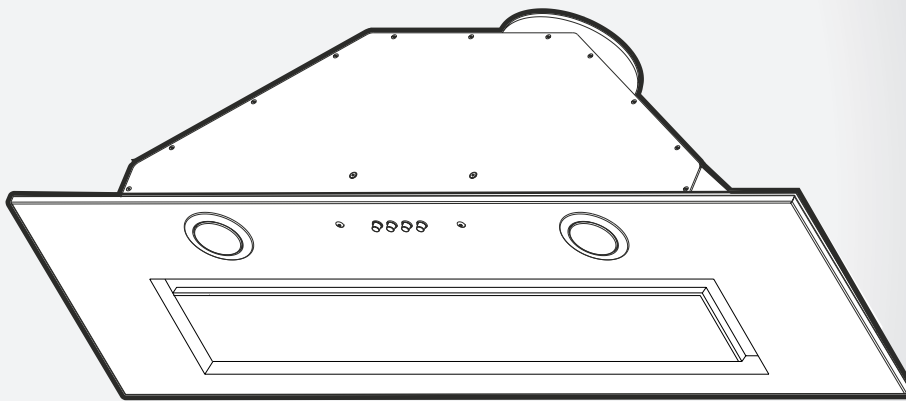


Use, Care, and Installation Guide

Guide
d'utilisation,
d'entretien et
d'installation

Guía de
instalación, uso y
mantenimiento



READ AND SAVE THESE
INSTRUCTIONS

LISEZ CES
INSTRUCTIONS ET
CONSERVEZ-LES

LEA Y CONSERVE
ESTAS INSTRUCCIONES

Models: | EUM634SS

Contents

Important safety notice3
List of materials4
 Parts supplied4
 Parts not supplied4
Dimensions and clearances5
Venting requirements5
Ducting options and examples6
Electrical requirements6
Installation9
 Complete the installation11
Description of the hood11
Control11
Maintenance12
Warranty13

**APPROVED FOR RESIDENTIAL APPLIANCES
FOR RESIDENTIAL USE ONLY
READ AND SAVE THESE INSTRUCTIONS**

**PLEASE READ ENTIRE INSTRUCTIONS BEFORE PROCEEDING.
INSTALLATION MUST COMPLY WITH ALL LOCAL CODES.**

IMPORTANT: Save these Instructions for the Local Electrical Inspector’s use.

INSTALLER: Please leave these Instructions with this unit for the owner.

OWNER: Please retain these instructions for future reference.

Safety Warning: Turn off power circuit at service panel and lock out panel, before wiring this appliance.

Requirement: 120 V AC, 60 Hz. 15 or 20 A Branch Circuit.

⚠ Important Safety Notice

⚠ CAUTION

FOR GENERAL VENTILATING USE ONLY. DO NOT USE TO EXHAUST HAZARDOUS OR EXPLOSIVE MATERIALS OR VAPOURS.

⚠ WARNING

TO REDUCE THE RISK OF FIRE, ELECTRIC SHOCK, OR INJURY TO PERSONS, OBSERVE THE FOLLOWING:

- A. Use this unit only in the manner intended by the manufacturer. If you have questions, contact the manufacturer.
- B. Before servicing or cleaning the unit, switch power off at service panel and lock service panel disconnecting means to prevent power from being switched on accidentally. When the service cannot be locked, securely fasten a prominent warning device, such as a tag, to the service panel.
- C. Installation work and electrical wiring must be done by qualified person(s) in accordance with all applicable codes & standards, including fire-rated construction.
- D. Sufficient air is needed for proper combustion and exhausting of gases through the flue (Chimney) of fuel burning equipment to prevent back-drafting. Follow the heating equipment manufacturers guideline and safety standards such as those published by the national fire protection association (NFPA), the american society for heating, refrigeration and air conditioning engineers (ASHRAE), and the local code authorities.
- E. When cutting or drilling into wall or ceiling, do not damage electrical wiring and other hidden utilities.
- F. Ducted fans must always be vented to the outdoor.

⚠ CAUTION

To reduce risk of fire and to properly exhaust air, be sure to duct air outside - do not vent exhaust air into spaces within walls, ceilings, attics, crawl spaces, or garages.

⚠ WARNING

TO REDUCE THE RISK OF FIRE, USE ONLY METAL DUCT WORK.

Install this hood in accordance with all requirements specified.

⚠ WARNING

To reduce the risk of fire or electric shock, do not use this hood with any external solid state speed control device.

⚠ WARNING

TO REDUCE THE RISK OF A RANGE TOP GREASE FIRE.

- a) Never leave surface units unattended at high settings. Boilovers cause smoking and greasy spillovers that may ignite. Heat oils slowly on low or medium settings.
- b) Always turn hood ON when cooking at high heat or when flambeing food (I.e. Crepes Suzette, Cherries Jubilee, Peppercorn Beef Flambe').
- c) Clean ventilating fans frequently. Grease should not be allowed to accumulate on fan or filter.
- d) Use proper pan size. Always use cookware appropriate for the size of the surface element.
- e) Suitable for use in household cooking area.

⚠ WARNING

TO REDUCE THE RISK OF INJURY TO PERSONS, IN THE EVENT OF A RANGE TOP GREASE FIRE, OBSERVE THE FOLLOWING:^a

- a) SMOTHER FLAMES with a close-fitting lid, cookie sheet, or other metal tray, then turn off the gas burner or the electric element. BE CAREFUL TO PREVENT BURNS. If the flames do not go out immediately, EVACUATE AND CALL THE FIRE DEPARTMENT.
- b) NEVER PICK UP A FLAMING PAN - you may be burned.
- c) DO NOT USE WATER, including wet dishcloths or towels - a violent steam explosion will result.
- d) Use an extinguisher ONLY if:
 - 1) You know you have a class ABC extinguisher, and you already know how to operate it.
 - 2) The fire is small and contained in the area where it started.
 - 3) The fire department is being called.
 - 4) You can fight the fire with your back to an exit.

^aBased on "Kitchen Fire Safety Tips" published by NFPA.

OPERATION

Always leave safety grills and filters in place. Without these components, operating blowers could catch onto hair, fingers and loose clothing.

The manufacturer declines all responsibility in the event of failure to observe the instructions given here for installation, maintenance and suitable use of the product. The manufacturer further declines all responsibility for injury due to negligence and the warranty of the unit automatically expires due to improper maintenance.

⚠ CAUTION

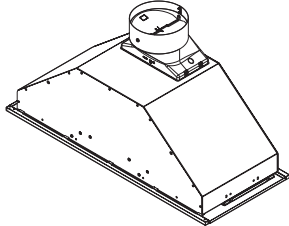
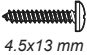
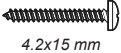
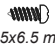
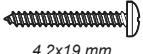

Automatically Operated Device - To Reduce The Risk Of Injury Disconnect From Power Supply Before Servicing.

List of Materials

Removing the packaging.

⚠ CAUTION

Remove carton carefully, Wear gloves to protect against sharp edges.

| Supplied Part | Pieces |
|--|--------|
|  <p>Hood assembly and LED lamps already installed</p> | 1 |
|  <p>4.5x13 mm</p> | 8 |
|  <p>4.2x15 mm</p> | 2 |
|  <p>3.5x6.5 mm</p> | 8 |
|  <p>4.2x19 mm</p> | 8 |
|  <p>Bottom mounting brackets</p> | 2 |

Parts not supplied

Tools/Materials required

- Level
- Drill with 1/8" (3,2 mm drill bit)
- Pencil
- Pliers
- Tape measure or ruler
- Caulking gun and weatherproof caulking compound
- Saber or keyhole saw
- Metal snips
- Vent clamps
- Screwdrivers:
 - Flat-blade
 - Phillips

Parts needed

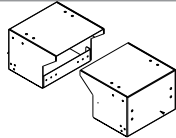

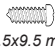
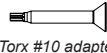


- 6" (15.2 cm) round metal vent system

Optional accessories and consumable parts

| KIT | #Part |
|--------------------------|-----------------------------|
| | 34.5" (87.63 cm) |
| Recirculating Kit | KIT02770 |
| Hood Liner | Up to 36" width KIT02774 |

⚠ WARNING

Remove the protective film covering the product before putting into operation.

| Supplied Part | Pieces |
|--|--------|
|  <p>Mounting brackets</p> | 2 |
|  <p>Metal spacers (for use when cabinet depth is greater than 12")</p> | 2 |
|  <p>3.5x9.5 mm</p> | 6 |
|  <p>Torx #10 adapter</p> | 1 |
|  <p>Ø 6.4x18 mm washers</p> | 8 |
|  <p>Ø 4,2x12 mm washers</p> | 8 |

Location requirements:

IMPORTANT: Observe all governing codes and ordinances. Have a qualified technician install the range hood. It is the installer's responsibility to comply with installation clearances specified on the model/serial rating plate. The model/serial rating plate is located inside the liner behind the filter on the left wall of the range hood. Range hood location should be away from strong draft areas, such as windows, doors, and strong heating vents. Cabinet opening dimensions that are shown must be used. Given dimensions provide minimum clearance. Consult your cooktop/ range manufacturer installation instructions before making any cutouts.

Grounded electrical outlet is required.

See "Electrical Requirements" section.

The range hood is factory set for vented installations through the roof or wall. For non-vented (recirculating) installations see "Non- Vented (recirculating) Installation Through the Soffit/Cabinet" in the "Prepare Location" section.

Recirculation Kit Part is available from your dealer or an authorized parts distributor. All openings in ceiling and wall where range hood will be installed must be sealed.

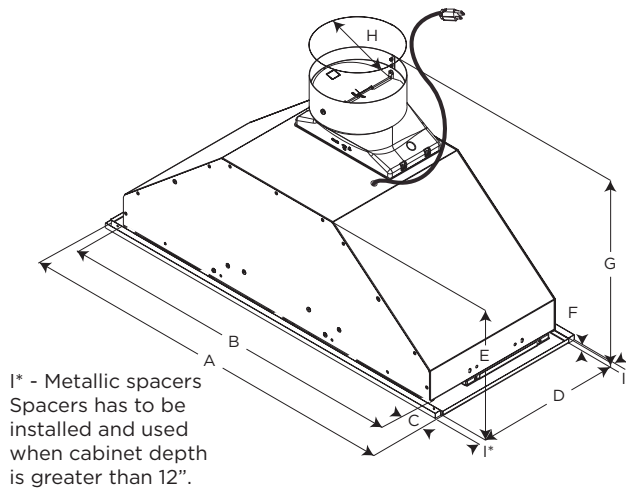
For mobile home installations

The installation of this range hood must conform to the Manufactured Home Construction Safety Standards, Title 24 CFR, Part 328 (formerly the Federal Standard for Mobile Home Construction and Safety, title 24, HUD, Part 280) or when such standard is not applicable, the standard for Manufactured Home Installation 1982 (Manufactured Home Sites, Communities and Setups) ANSI A225.1/NFPA 501A, or latest edition, or with local codes.

*TORX is a registered trademark of Saturn Fasteners, Inc.

Location Requirements

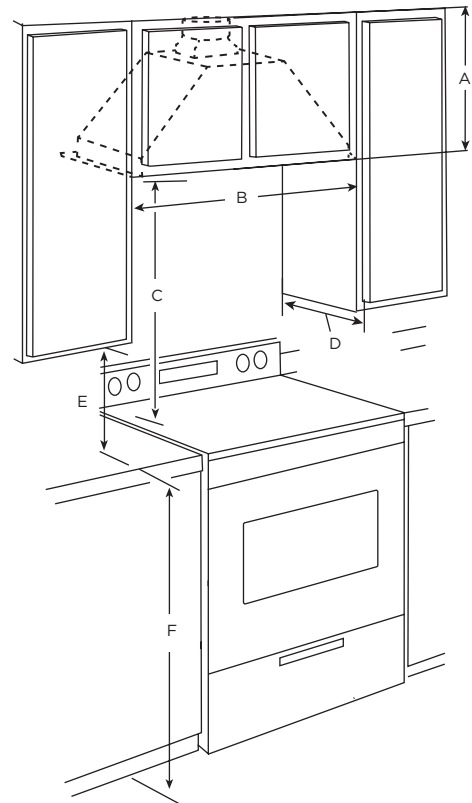
Product dimensions



| Model | |
|-----------------|--|
| EUM634SS | |
| A | 34 ⁹ / ₆₄ " (86.7 cm) |
| B | 26" (66 cm) |
| C | 4 ¹ / ₁₆ " (10.3 cm) |
| D | 10 ³ / ₄ " (27.3 cm) |
| E | 10 ⁴⁵ / ₆₄ " (27.2 cm) |
| F | 0 ³ / ₈ " (.95 cm) |
| G | 15 ³ / ₄ " (40 cm) |
| H | 6" (15.2 cm) |
| I | ½" (1.27 cm) |

For gas range installation: Mount this hood so that the bottom edge is at minimum 30" (76.2 cm) above the cooking surface.
For electric range installation: mount this hood so that the bottom is not less than 24" (61 cm).

Installation clearances



- A. 13³/₁₆" (33.5 cm) min. upper cabinet height
- B. 35⁵/₁₆" (89.7 cm) cabinet opening width
- C. 24" (61 cm) minimum from the electric cooking surface, and 30" (76.2 cm) on a gas stove. 36" (91.4 cm) maximum suggested from the base of the cabinet to the cooking surface.
- D. 12¹³/₆₄" (31 cm) minimum cabinet opening depth
- E. 15" (38.1 cm) min. clearance upper cabinet to countertop
- F. 36" (91.4 cm) base cabinet height

Venting Requirements

- Vent system must terminate to the outdoors, except for no vented (recirculating) installations.
- Do not terminate the vent system in an attic or other enclosed area.
- Do not use a 4" (10.2 cm) laundry-type wall cap.
- Rigid metal vent is recommended. Plastic or metal foil vent is not recommended. The length of vent system and number of elbows should be kept to a minimum to provide efficient performance.

For the most efficient and quiet operation:

- Use no more than three 90° elbows.
- Make sure there is a minimum of 24" (61 cm) of straight vent between the elbows if more than 1 elbow is used.
- Do not install 2 elbows together.
- Use clamps to seal all joints in the vent system.
- The vent system must have a damper.
- Use caulking to seal exterior wall or roof opening around the cap.
- The size of the vent should be uniform.

Electrical Requirements

⚠ WARNING

PLUG INTO A GROUNDED 3 PRONG OUTLET.
DO NOT REMOVE GROUND PRONG.
DO NOT USE AN ADAPTER.
DO NOT USE AN EXTENSION CORD.
FAILURE TO FOLLOW THESE INSTRUCTIONS CAN RESULT
IN DEATH, FIRE, OR ELECTRICAL SHOCK.

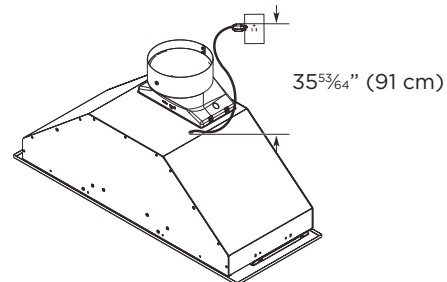
IMPORTANT: The range hood must be electrically grounded in accordance with local codes and ordinances, or in the absence of local codes, with the National Electrical Code, ANSI/NFPA 70 (latest edition) or Canadian Electrical Code, CSA C22.1 No. 0-M91 (latest edition).

If codes permit and a separate ground wire is used, it is recommended that a qualified electrical installer determine that the ground path is adequate.

A copy of the above code standards can be obtained from:

National Fire Protection Association
1 Batterymarch Park Quincy, MA 02169-7471
CSA International
8501 East Pleasant Valley Road
Cleveland, Ohio 44131-5575

- A 120 volt, 60 Hz, AC only, 15- or 20-amp, fused electrical circuit is required. A time-delay fuse or circuit breaker is also recommended. It is recommended that a separate circuit serving only this range hood be provided.
- This range hood is equipped with a power supply cord having a 3 prong grounding plug.
- To minimize possible shock hazard, the cord must be plugged into a mating, 3 prong, grounding-type outlet, grounded in accordance with local codes and ordinances. If a mating outlet is not available, it is the personal responsibility and obligation of the customer to have the properly grounded outlet installed by a qualified electrician.
- If provided with an electrical plug, connect the hood to a receptacle that complies with current regulations and placed in an accessible position. Where an electrical plug is not provided (direct connection to electrical network) or the plug will not be in an accessible position after installation, place an approved bipolar switch in accessible position that provides full disconnection under overvoltage category III conditions, in accordance with local wiring rules.
- The grounded 3 prong outlet is to be located inside the cabinet above the range hood at a minimum distance of $35\frac{5}{8}$ " (91 cm) from where the power cord exits the hood. The grounded 3 prong outlet must be accessible after installation of the range hood. See illustration:



Cold weather installations

An additional back draft damper non return valve should be installed to minimize backward cold air flow and a thermal break should be installed to minimize conduction of outside temperatures as part of the vent system. The damper non return valve should be on the cold air side of the thermal break.

The break should be as close as possible to where the vent system enters the heated portion of the house.

Makeup air

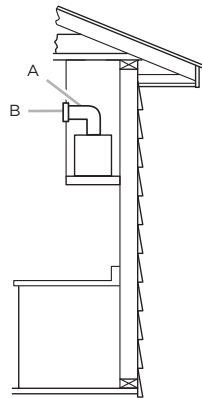
Local building codes may require the use of makeup air systems when using ventilation systems with greater than specified CFM of air movement. The specified CFM varies from locale to locale.

Consult your HVAC professional for specific requirements in your area.

Venting methods

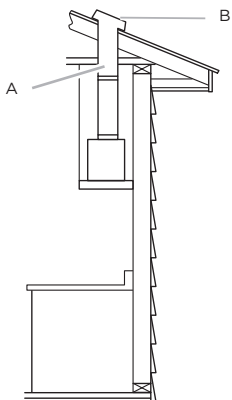
This range hood is factory set for venting through the roof or through the wall. You can apply the recirculating venting method by purchasing the Recirculation Kit. The vent system needed for installation is not included. A 6" (15.2 cm) round vent system is recommended.

Recirculating



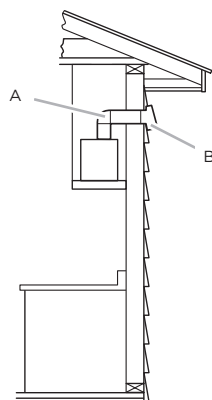
- A. 6" (15.2 cm) vent through the cabinet
- A. Round recirculating grid

Roof venting



- A. 6" (15.2 cm) vent through the roof
- A. Roof cap

Wall venting



- A. 6" (15.2 cm) vent through the wall
- A. Wall cap

GROUNDING INSTRUCTIONS

- This range hood must be grounded. In the event of an electrical short circuit, grounding reduces the risk of electric shock by providing an escape wire for the electric current.
- This range hood is equipped with a cord having a grounding wire with a grounding plug. The plug must be plugged into an outlet that is properly installed and grounded.

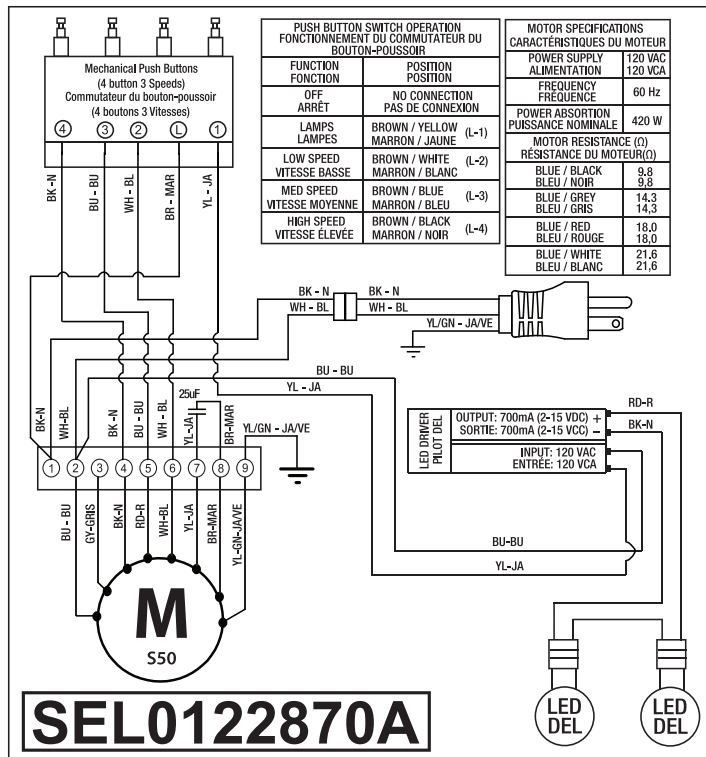
WARNING: Improper grounding can result in a risk of electric shock.

Consult a qualified electrician if the grounding instructions are not completely understood, or if doubt exists as to whether the range hood is properly grounded.

Do not use an extension cord. If the power supply cord is too short, have a qualified electrician install an outlet near the range hood.

SAVE THESE INSTRUCTIONS

Wiring Diagram



Installation Instructions

Prepare location

It is recommended that the vent system be installed before the range hood is installed.

- Before making cutouts, make sure there is proper clearance within the ceiling or wall for vent fittings.
 - Making the cutout to the bottom of the cabinet may be easier to do prior to mounting the cabinet to the wall.
- 1 Disconnect power.
 - 2 Determine which venting method to use: roof, wall, or non vented.
 - 3 Select a flat surface for assembling the range hood. Place covering over that surface.

⚠ WARNING

EXCESSIVE WEIGHT HAZARD
USE TWO OR MORE PEOPLE TO MOVE AND INSTALL RANGE HOOD.

FAILURE TO DO SO CAN RESULT IN BACK OR OTHER INJURY.

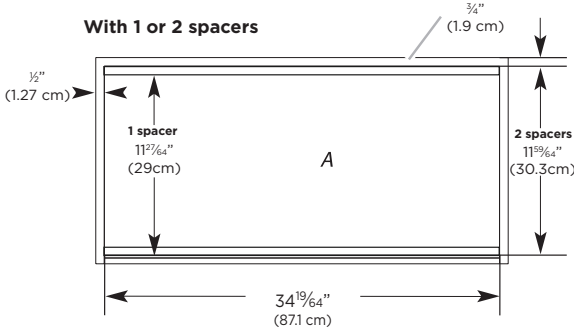
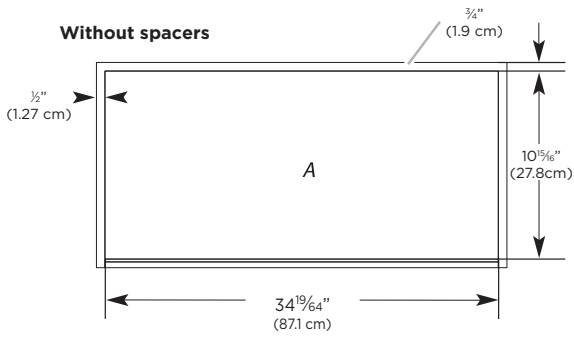
- 4 Using 2 or more people, lift range hood onto covered surface.

Range hood cabinet cutout

- 1 Use a saber saw or keyhole saw to cut out the cabinet bottom inside the cabinet frame.

NOTE: Frameless type cabinets require ¾" (1.9 cm) front lip in the cabinet bottom. A ¾" (1.9 cm) thick filler strip (not supplied) may be required for some types of cabinets. (See Step 3 in the "Install Range Hood" section).

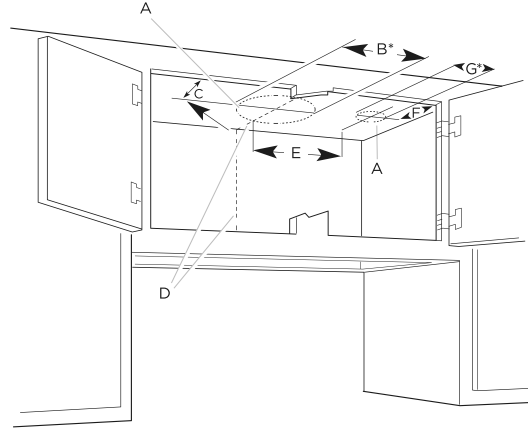
Cut out dimensions (without spacers)



A. Bottom of cabinet cutout

- A. Cutout
- B. 8 1/4" (21 cm) x 6 1/2" (15.9 cm)*
- C. 7 5/8" (19.8 cm) centerline to cabinet front
- D. Centerline of the cabinet
- E. 4 1/2" (10.6 cm)
- F. 3 1/8" (8.3 cm) center to cabinet front
- G. Ø (4 cm)*

| Cabinet Height | Hole Shape and Size |
|----------------|--|
| 15" (38.1 cm) | A 6 1/4" (15.9 cm) diameter round opening is required. |



- A. Cutout
- B. Ø 6 1/4" (15.9 cm)*
- C. 7 5/8" (19.8 cm) centerline to cabinet front
- D. Centerline of the cabinet
- E. 4 1/2" (10.6 cm)
- F. 3 1/8" (8.3 cm) center to cabinet front
- G. Ø (4 cm)*

2 Complete cabinet preparation following the instructions for your type of venting. Determine venting cutout locations and cut out vent openings in the cabinets, walls and/or soffit.

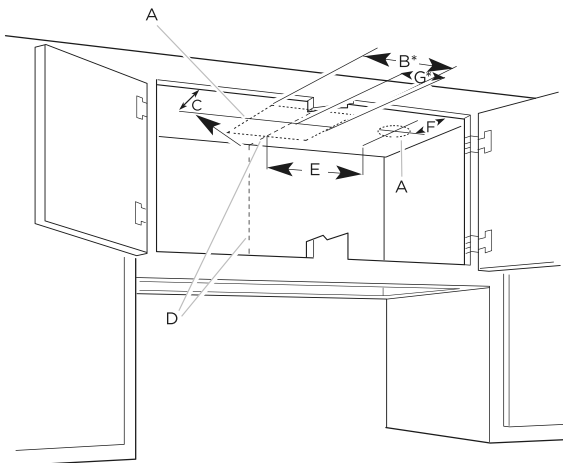
Venting outside through the roof

1 Measure and mark the lines as shown. Use a saber saw or keyhole saw to cut an opening through the top of the cabinet and the roof for the vent.

2 Install the 6" (15.2 cm) air transition to the top of the range hood liner (if removed for shipping) using two 3.5 x 9.5 mm round head screws. Assemble the vent duct that you will use over the 6" (15.2 cm) vent transition. Use caulking to seal the exterior wall or roof opening.

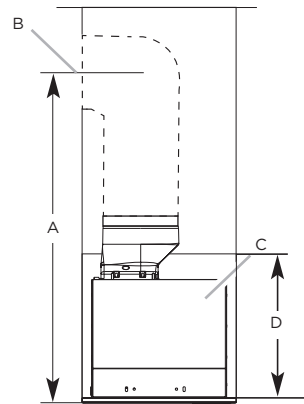
Cutout Chart

| Cabinet Height | Hole Shape and Size |
|-------------------|---|
| 13 3/8" (33.5 cm) | A 8 1/4" wide x 6 1/4" deep (21 cm x 15.9 cm) rectangular opening in the cabinet top is required for damper transition clearance. |



Venting outside through the wall

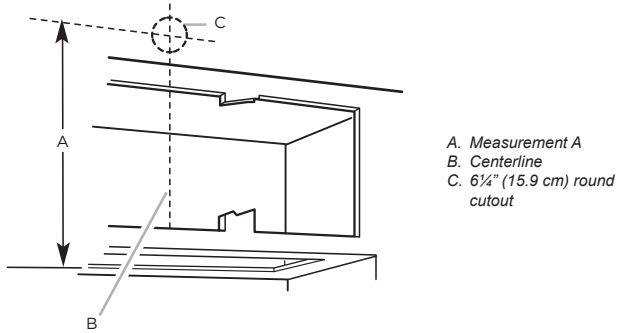
1 Measure from the bottom of the range hood liner to the horizontal centerline of the vent opening (A).



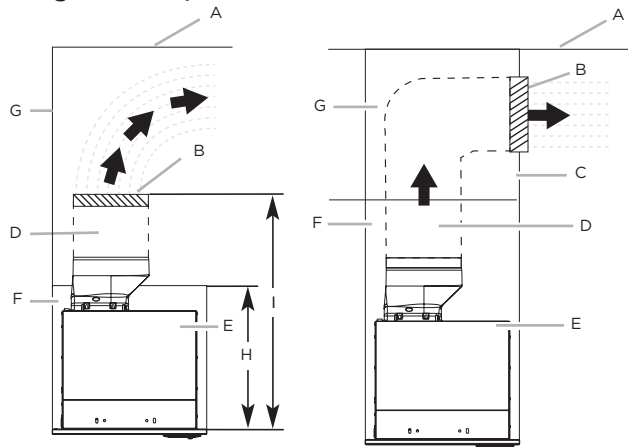
- A. Measurement A
- B. Horizontal centerline of vent opening
- C. Range hood liner
- D. 12" (30.5 cm) min. cabinet height

2 Remove the vent duct from the range hood liner. Transfer measurement A to the cabinet back wall. Measure from the underside of the cabinet.

3 Mark the cutout as shown. Use a saber saw or keyhole saw to cut a round opening through the back of the cabinet and the exterior wall for the vent.

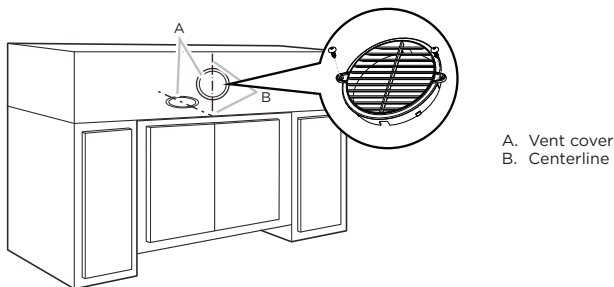


Non-vented (recirculating installation through the soffit/cabinet)



- | | |
|----------------------|---|
| A. Ceiling | F. Cabinet |
| B. Vent cover | G. Wall |
| C. Soffit | H. 12" (30.5 cm) min. cabinet height |
| D. 6" (15.2 cm) vent | I. 17" (43.2 cm) min. vent cover height |
| E. Range hood | |

- 1 Measure and mark the centerline of the cabinet to the soffit above.
- 2 Measure from the bottom of the cabinet to the centerline of the where the vent will come through the soffit. Mark the location and use a saber saw or keyhole saw to cut a 5 3/4" (14.6 cm) hole for the vent cover.



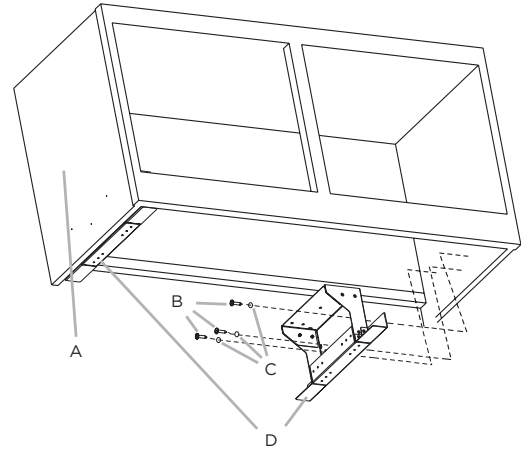
***NOTE:** For 12" (30.5 cm) height cabinets a 6 1/4" deep x 8" wide (14.6 cm x 20.3 cm) rectangular opening in the cabinet top is required for damper transition clearance.

- 3 Consider the cutout chart measures to make the openings on the cabinet.

Complete preparation

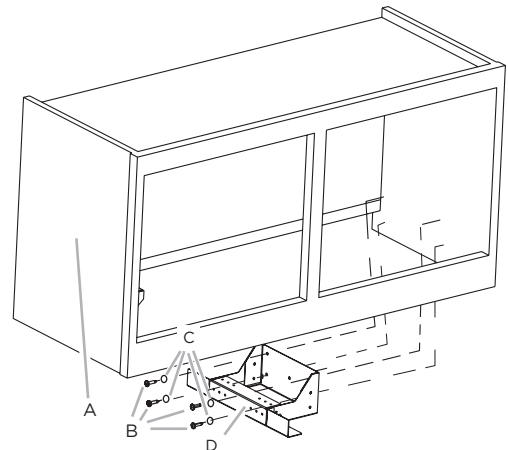
- 1 If not yet attached, install the 6" (15.2 cm) vent transition the top of the range hood liner using two 3.5 x 9.5 mm screws.
- 2 Locate side mounting bracket 1 cm bottom to top side and against the inside of the front cabinet face. Orient the bracket depending on the width of your cabinet as depicted in the diagrams below. Drill 1/8" (3 mm) pilot holes in 6 places, attach a bracket using four 4.5 x 13 mm screws to each side of the cabinet, and tighten. Additional washers in hardware package are supplied as spacers for cabinet walls thinner than 1/2" (13 mm).

Bracket Orientation for 30" (76.2 cm) Cabinet

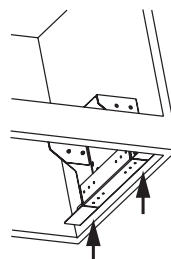


- A. 30" (76.2 cm) cabinet
B. Screws - 4.5 x 13 mm (8)
C. Washers (optional)
D. Mounting bracket (2) (position for 30" [76.2 cm] cabinet)

Bracket Orientation for 34.5" (87.68 cm) Cabinet

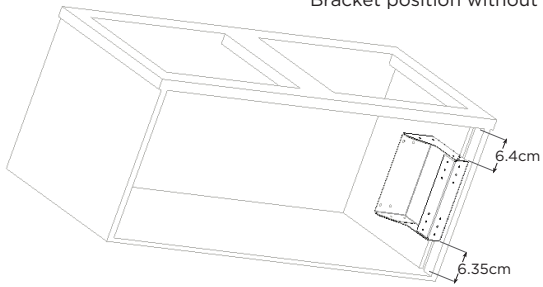


- A. 34.5" (87.68 cm) cabinet
B. Screws - 4.5 x 13 mm (8)
C. Washers (optional)
D. Mounting bracket (2) (position for 34.5" [87.68 cm] cabinet)

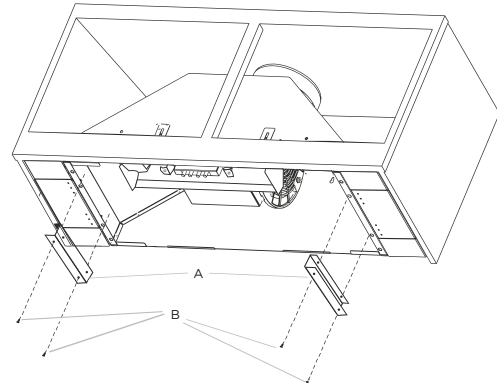
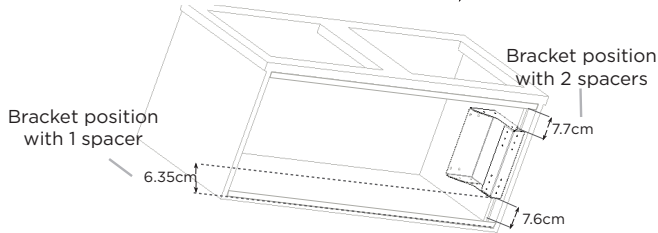


Move the bracket 1/16" (1 cm) from the bottom side of the cabinet

Bracket position without spacers



Bracket position with 2 spacers



A. Mounting brackets (2)
B. Screws - 3.5 x 6.5 mm (4)

- 3 Install the vent system according to the method needed. Use caulking to seal the exterior wall or roof opening.

- 6 Attach the lower panel to the hood insert, with the plate open, place four screws 3.5 x 6.5 mm securing the panel to the previously placed brackets as shown in the diagram.

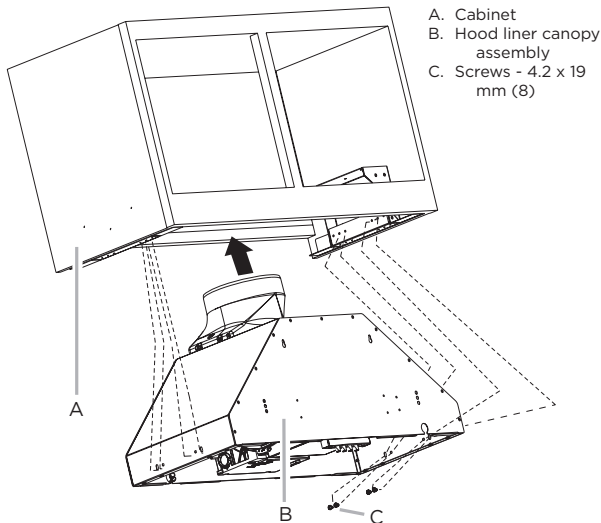
NOTE: If cabinet depth is greater than 12", it is recommended that the two 1/2" metal spacers are installed. Install to front and rear sides of the face plate with round head 3.5 x 9.5 mm screws as shown in drawing.

Install Range Hood

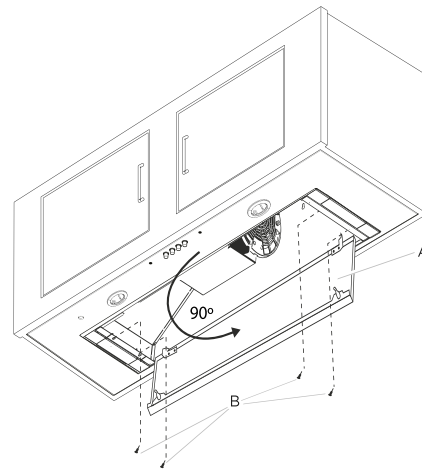
⚠ WARNING

EXCESSIVE WEIGHT HAZARD. USE TWO OR MORE PEOPLE TO MOVE AND INSTALL RANGE HOOD. FAILURE TO DO SO CAN RESULT IN BACK OR OTHER INJURY.

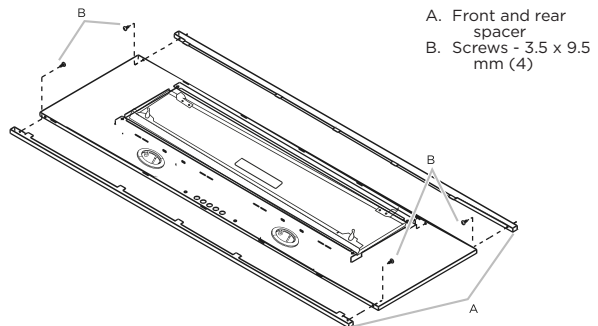
- 1 Remove the polyurethane piece that comes inside the hood.
- 2 Center the canopy in the cabinet. Align the bottom of the canopy with the bottom of the cabinet. Install four 4.2 x 19 mm screws into the hood canopy assembly and tighten all (8) mounting screws.



A. Cabinet
B. Hood liner canopy assembly
C. Screws - 4.2 x 19 mm (8)



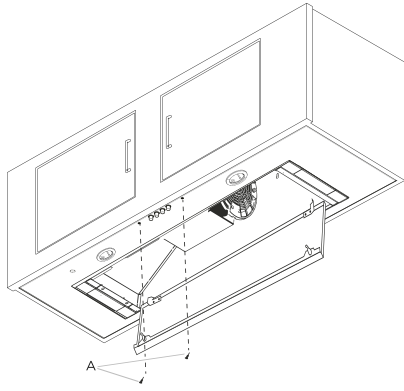
A. Face plate
B. Screws - 3.5 x 6.5 mm (4)



A. Front and rear spacer
B. Screws - 3.5 x 9.5 mm (4)

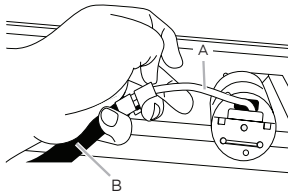
- 3 Remove the protective from the metal grease filters and pull them out from the face panel.
- 4 Pull out the lamps connector cables
- 5 Attach the mounting brackets to the inside of the hood as shown in the picture, using four 3.5 x 6.5 mm screws.

- 7 Install the two 4.2x15 mm screws located on the sides of the hood controls.



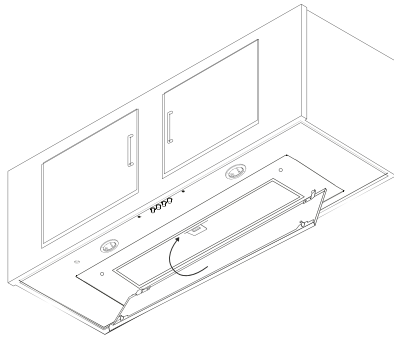
A. Screws - 4.2 x 15 mm (2)

- 8 Connect the lamps connector to the connector present inside the hood as shown in drawing.



A. Lamp connector
B. Hood connector

- 9 Put the filters back in place and return the plate to its original position



Connect the Vent System

Vented Installations

- 1 Connect the vent system to the range hood vent opening. Seal the connection with clamps.

Non-Vented (recirculating) Installations

- 1 Connect the vent system to the range hood vent opening. Seal the connection with clamps.
- 2 Install charcoal filters. See the "Available accessories" section.

Complete Installation

- 1 Replace grease filters. See the "Maintenance" section.

⚠ WARNING
ELECTRICAL SHOCK HAZARD

⚠ WARNING
PLUG INTO A GROUNDED 3 PRONG OUTLET.
DO NOT REMOVE GROUND PRONG.
DO NOT USE AN ADAPTER.
DO NOT USE AN EXTENSION CORD.
FAILURE TO FOLLOW THESE INSTRUCTIONS CAN RESULT IN DEATH, FIRE, OR ELECTRICAL SHOCK.

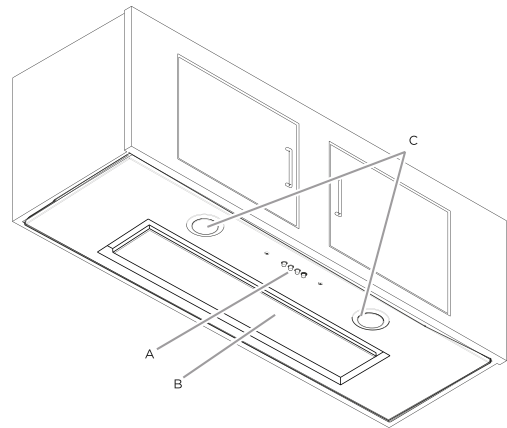
- 2 Plug 3-prong power cord into a grounded 3-prong outlet located inside the cabinet above the range hood.
- 3 Check the operation of the range hood fan and light. See "Description of the hood" section. If range hood does not operate, check to see whether a circuit breaker has tripped or a household fuse has blown. Disconnect power and check wiring connections.

NOTE: To get the most efficient use from your new range hood, read the "Description of the hood" section.

Description of the Hood

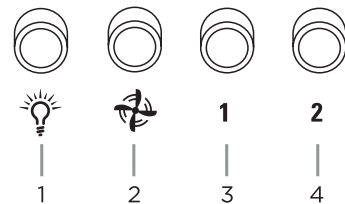
The range hood is designed to remove smoke, cooking vapors and odors from the cooktop area. For best results, start the hood before cooking and allow it to operate several minutes after the cooking is complete to clear all smoke and odors from the kitchen.

The hood controls are located on the center of the front of the range hood liner.



A. Blower and light controls
B. Face plate
C. LED lamps

Controls



- 1 On/Off light button
- 2 Blower off and speed minimum button
- 3 Blower speed medium button
- 4 Blower speed maximum button

Operating the Light

The On/Off light button controls all lights. Press once for On and again for Off.

Operating the Blower

The BLOWER SPEED buttons turn the blower on and control the blower speed and sound level for quiet operation. The speed can be changed anytime during fan operation by pressing the desired blower speed button. Press the BLOWER OFF button a second time to turn off the blower.

Maintenance

Cleaning

IMPORTANT: Clean the hood and grease filters frequently according to the following instructions. Replace grease filter before operating the hood.

Exterior surfaces

To avoid damage to the exterior surface, do not use steel wool or soap-filled scouring pads.

Always wipe dry to avoid water marks.

Cleaning method:

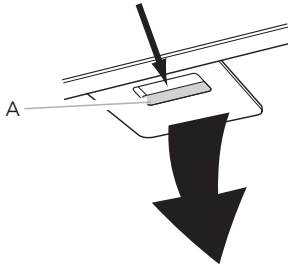
- Liquid detergent soap and water, or all-purpose cleanser
- Wipe with damp soft cloth or nonabrasive sponge, then rinse with clean water and wipe dry.

Metal grease filter

The filters should be washed frequently. Place metal filters in dishwasher or hot detergent solution to clean. Let filter dry thoroughly before replacing it.

Turn off fan and lights. Allow lamps to cool.

- 1 Remove each filter by pulling the spring release handle and then pulling down the filter.



- 2 Wash metal filters as needed in dishwasher or hot detergent solution.
- 3 Reinstall the filter by making sure the spring release handles are toward the front. Insert metal grease filter into upper track.
- 4 Pull the spring release handle down.
- 5 Push up on metal filter and release handle to latch into place.
- 6 Repeat steps 1-5 for the other filter.

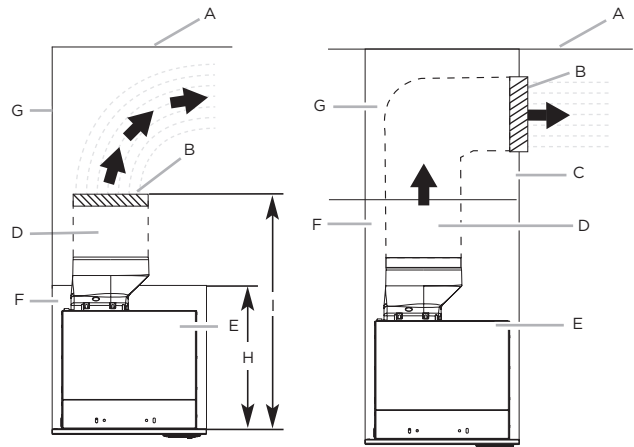
Replacing a LED lamp

The LED lights are replaceable by a service technician only. See "Who to contact" section in the warranty for service contact information.

Available Accessories

Recirculating kit

If it is not possible to vent cooking fumes and vapors to the outside, the range hood can be used in the non-vented (recirculating) version, using a charcoal filter. Recirculation Kit is available from the dealer or an authorized parts distributor.

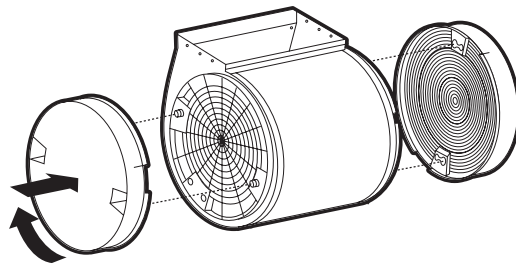


A. Ceiling
B. Vent cover
C. Soffit
D. 6" (15.2 cm) vent
E. Range hood

A. Cabinet
B. Wall
C. 12" (30.5 cm) min. cabinet height
D. 17" (43.2 cm) min. vent cover height

NOTE: 12" (30.5 cm) high cabinets without a soffit may allow the 6" vent and vent cover to be seen.

- 1 Cover the grill that protects the suction motor with the carbon filter so that the slots on the filter correspond to the pins on the sides of the motor protection grill.
- 2 Turn the carbon filter clockwise to block them (bayonet fixing).
 - The charcoal filters cannot be cleaned. It should be replaced every 4-6 months (depending on hood usage).
 - Remove the cable ties in the carbon filter to be able to turning it clockwise.



Extension liner kit - not included

- 36" wide x 17" or 20" deep liner provides complete protection of the cabinets.

See Liner installation instructions for more detail.

ELICA North America

TWO-YEAR LIMITED WARRANTY

Register your product in

elica.com

and earn a 3rd year of factory warranty, covering all parts plus in-home labor.

TO OBTAIN SERVICE UNDER WARRANTY

Owner must present proof of original purchase date. Please keep a copy of your dated proof of purchase (sales slip) in order to obtain service under warranty.

PARTS AND SERVICE WARRANTY

For the period of two (2) years from the date of the original purchase, Elica will provide free of charge, non consumable parts or components that failed due to manufacturing defects. During these two (2) years limited warranty, Elica will also provide free of charge, all labor and in-home service to replace any defective parts.

WHAT IS NOT COVERED

- Damage or failure to the product caused by accident or act of God, such as, flood, fire or earthquake.
- Damage or failure caused by modification of the product or use of non-genuine parts.
- Damage or failure to the product caused during delivery, handling or installation.
- Damage or failure to the product caused by operator abuse.
- Damage or failure to the product caused by dwelling fuse replacement or resetting of circuit breakers.
- Damage or failure caused by use of product in a commercial application.
- Service trips to dwelling to provide use or installation guidance.
- Light bulbs, metal or carbon filters and any other consumable part.
- Normal wear of finish.
- Wear to finish due to operator abuse, improper maintenance, use of corrosive or abrasive cleaning products/pads and oven cleaner products.

WHO IS COVERED

This warranty is extended to the original purchaser for products purchased for ordinary residential use in North America (Including the United States, Guam, Puerto Rico, US Virgin Islands & Canada).

This warranty is non-transferable and applies only to the original purchaser and does not extend to subsequent owners of the product. This warranty is made expressly in lieu of all other warranties, expressed or implied, including, but not limited to any implied warranty of merchantability or fitness for a particular purpose and all other obligations on the part of Elica North America, provided, however, that if the disclaimer of implied warranties is ineffective under applicable law, the duration of any implied warranty arising by operation of law shall be limited to two (2) years from the date of original purchase at retail or such longer period as may be required by applicable law.

This warranty does not cover any special, incidental and/or consequential damages, nor loss of profits, suffered by the original purchaser, its customers and/or the users of the Products.

WHO TO CONTACT

To obtain service under warranty or for any service related question:

- Elica North America Service, call at 1 888 732 8018
- For Eastern Canada, call AGI Services at 1 888 651 2534 Ask for the service department
- elica@servicepower.com

Table des matières

| | |
|---|----|
| Avis de sécurité important | 15 |
| Liste des pièces | 16 |
| Pièces fournies | 16 |
| Pièces non fournies | 16 |
| Dimensions et dégagement | 17 |
| Exigences concernant l'évacuation | 17 |
| Exemples et possibilités de positionnement des conduits | 18 |
| Spécifications électriques | 18 |
| Installation | 21 |
| Achever l'installation | 23 |
| Description de la hotte.. | 23 |
| Commandes | 23 |
| Entretien | 24 |
| Garantie..... | 25 |

**APPROUVÉ POUR LES APPAREILS DE TYPE RÉSIDENTIEL
POUR UNE UTILISATION RÉSIDENTIELLE SEULEMENT
LISEZ CES INSTRUCTIONS ET CONSERVEZ-LES**

**VEUILLEZ LIRE CES INSTRUCTIONS AU COMPLET AVANT DE COMMENCER.
L'INSTALLATION DE L'APPAREIL DOIT RESPECTER TOUS LES CODES EN VIGUEUR.**

IMPORTANT : Conservez ces instructions afin de pouvoir les remettre à l'inspecteur-électricien de votre région.

INSTALLATEUR : Veuillez laisser ces instructions avec l'appareil pour le propriétaire.

PROPRIÉTAIRE : Veuillez conserver ces instructions pour pouvoir vous y référer plus tard.

Avertissement de sécurité : Coupez l'alimentation du circuit dans le panneau électrique et verrouillez le panneau avant de raccorder les fils de cet appareil.

Exigence : 120 V c.a., 60 Hz circuit de dérivation de 15 V c.a., 20 Hz, de 15 ou 20 A.

⚠ Avis de Sécurité Important

⚠ ATTENTION

UTILISER CET APPAREIL À DES FINS DE VENTILATION GÉNÉRALE SEULEMENT. NE PAS UTILISER CET APPAREIL POUR ÉVACUER DES MATÉRIAUX OU DES VAPEURS DANGEREUX OU EXPLOSIFS.

⚠ AVERTISSEMENT

POUR RÉDUIRE LES RISQUES D'INCENDIE, DE CHOC ÉLECTRIQUE ET DE BLESSURE, RESPECTER LES DIRECTIVES SUIVANTES:

- A. Utiliser cet appareil uniquement aux fins prévues par le fabricant. Si vous avez des questions à propos de l'appareil, communiquez avec le fabricant.
- B. Avant de faire l'entretien de l'appareil ou de le nettoyer, coupez l'alimentation dans le panneau électrique et verrouillez le panneau en bloquant le dispositif permettant d'empêcher d'activer l'alimentation accidentellement. S'il n'est pas possible de verrouiller l'accès au panneau, fixez une étiquette très voyante au panneau électrique.
- C. Une personne qualifiée doit effectuer l'installation et le câblage des fils électriques en conformité avec tous les codes et toutes les normes, y compris la cote de résistance au feu.
- D. Il est important de prévoir suffisamment d'air pour assurer une bonne combustion de l'équipement de chauffe et l'évacuation adéquates des gaz par le conduit de cheminé afin de prévenir les refoulements d'air. Respectez les directives et les normes de sécurité des fabricants de l'équipement de chauffage, comme celles publiées par la National Fire Protection Association (NFPA), la American Society for Heating, Refrigeration and Air Conditioning Engineers (ASHRAE) et le code des autorités de votre région.
- E. Au moment de couper ou de percer un mur ou un plafond, assurez-vous de ne pas endommager la filerie électrique ou tout autre accès à un service public.
- F. Il faut toujours évacuer à l'extérieur les systèmes conduit.

⚠ ATTENTION

Pour réduire les risques d'incendie et évacuer l'air correctement, assurez-vous que le conduit mène à l'extérieur; il ne faut pas évacuer l'air dans l'espace entre les murs, dans les plafonds, dans les greniers, les vides sanitaires ou les garages.

⚠ AVERTISSEMENT

POUR RÉDUIRE DES RISQUES D'INCENDIE, UTILISEZ UNIQUEMENT DES CONDUITS EN MÉTAL.

Installez cette hotte en respectant toutes les exigences mentionnées.

⚠ AVERTISSEMENT

Pour réduire les risques d'incendie et de choc électrique, n'utilisez pas cette hotte avec un contrôleur de vitesse à semi-conducteurs.

⚠ ATTENTION

Dispositif à commande automatique - pour réduire le risque de Blessure Débrancher de l'alimentation électrique avant la maintenance.

⚠ AVERTISSEMENT

POUR RÉDUIRE LES RISQUES D'INCENDIE DE GRAISSE SUR LES CUISINIÈRES.

- a) Ne laissez jamais la cuisinière sans surveillance lorsqu'elle est réglée à une haute température. Les débordements par bouillonnement causent de la fumée et des débordements de gras qui peuvent s'enflammer. Faites chauffer l'huile lentement, à une température basse ou moyenne.
- b) Faites toujours fonctionner la hotte lorsque vous utilisez la cuisinière à une haute température ou que vous faites flamber des aliments (P. ex.: crêpes Suzette, cerises jubilé, boeuf au poivre flambé).
- c) Nettoyez les hélices de ventilation fréquemment. Il ne faut pas que la graisse s'accumule sur les filtres ou les hélices.
- d) Utilisez le bon format de casserole. Utilisez toujours un chaudron de taille approprié à l'élément de la cuisinière.
- e) Convient pour utilisation dans la zone de cuisson domestique.

⚠ AVERTISSEMENT

POUR ÉVITER DE BLESSER QUELQU'UN LORS D'UN INCENDIE DE GRAISSE SUR LA CUISINIÈRE, SUIVRE LES CONSEILS SUIVANTS:^a

- a) ÉTOUFFER LES FLAMMES avec un couvercle aux dimensions de la tache de cuisson, une tôle à biscuit ou tout autre plateau métallique, puis couper le gaz ou l'alimentation électrique de la cuisinière. FAIRE ATTENTION A NE PAS SE BRÛLER. Si les flammes ne s'éteignent pas immédiatement, QUITTER LA PIÈCE ET APPELER LES POMPIERS.
- b) NE JAMAIS PRENDRE EN MAIN UNE CASSEROLE N FEU, vous pourriez vous blesser.
- c) NE PAS UTILISER D'EAU, y compris les essuies de vaisselle ou les serviettes humides - une violente explosion due à la vapeur formée pourrait survenir.
- d) Utiliser un extincteur SEULEMENT si:
 - 1) Vous êtes sûr d'avoir un extincteur de classe ABC que vous savez utiliser.
 - 2) Le feu est petit et confiné à la zone où il s'est formé.
 - 3) Les pompiers ont été appelés.
 - 4) Vous pouvez lutter contre le feu avec une sortie derrière vous.

a Recommandations tirées des conseils de sécurité en cas d'incendie de cuisine publiés par la NFPA.

MODE OPÉRATOIRE

Toujours laisser les grilles de sécurité et les filtres à leur place. Sans la présence de ces derniers, les parties aspirantes pourraient attirer les cheveux, les doigts ou les vêtements.

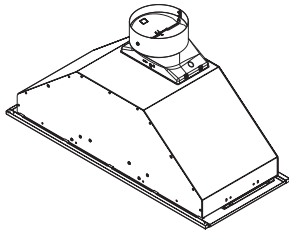
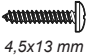
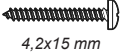

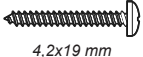
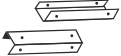
Le fabricant décline toute responsabilité si les informations détaillées dans ce manuel pour l'installation, l'entretien et l'utilisation adéquate du produit ne sont pas observées. Le fabricant décline en outre toute responsabilité pour d'éventuelles blessures dues à des négligences; en outre, la garantie de l'appareil sera annulée suite à des conditions d'entretien inappropriées. Cet appareil est fabriqué pour un usage interne. Ne pas utiliser cet appareil à l'extérieur.

Liste des Pièces

Retirer les pièces de leur emballage.

⚠ ATTENTION

Enlever délicatement le carton, porter des gants pour se protéger des bords coupants.

| Pièces Fournies | Quantité |
|---|----------|
|  Assemblage hotte avec soufflerie et lampes DEL | 1 |
|  4,5x13 mm | 8 |
|  4,2x15 mm | 2 |
|  3,5x6,5 mm | 8 |
|  4,2x19 mm | 8 |
|  Supports pour le panneau inférieur | 2 |

Pièces non Fournies

Outils nécessaires

- Niveau
- Perceuse
- Foret de 1/8" (3 mm)
- Crayon
- Pince
- Mètre-ruban ou règle
- Pistolet à calfeutrage et composé de calfeutrage résistant aux intempéries
- Tournevis Phillips
- Tournevis à lame plate
- Scie sauteuse ou scie à guichet
- Brides de conduit
- Cisaille de ferblantier

Pièces nécessaires

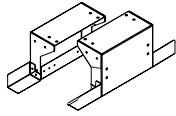

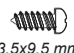
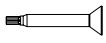


- Système de conduit d'évacuation métallique rond de 6" (15,2 cm)

Accessoires optionnel

| KIT | # Pièce |
|--------------------------|----------------------------------|
| | 34.5" (87.63 cm) |
| Clapet antiretour | KIT02770 |
| Kit d'extension | Jusqu'à 36" de large KIT02774 |

⚠ AVERTISSEMENT

Enlever le film de protection recouvrant le produit avant de commencer l'opération.

| Pièces Fournies | Quantité |
|---|----------|
|  Brides de montage | 2 |
|  Barres d'espacement (pour une utilisation lorsque la profondeur de cabinet est supérieure à 12 ") | 2 |
|  3,5x9,5 mm | 6 |
|  Adaptateur Torx 10 | 1 |
|  Rondelles Ø 6,4x18 mm | 8 |
|  Rondelles Ø 4,2x12 mm | 8 |

Exigences d'emplacement:

IMPORTANT: Observer les dispositions de tous les codes et règlements en vigueur.

Confier l'installation de la hotte à un technicien qualifié. C'est à l'installateur qu'incombe la responsabilité de respecter les distances de séparation exigées, spécifiées sur la plaque signalétique de l'appareil. La plaque signalétique de l'appareil est située derrière le filtre, sur la paroi arrière gauche de la hotte.

Installer la hotte de cuisinière à distance de toute zone exposée à des courants d'air, comme fenêtres, portes et bouches de chauffage. Respecter les dimensions indiquées pour les ouvertures à découper dans les placards. Ces dimensions tiennent compte des valeurs minimales des dégagements de séparation.

Avant d'effectuer des découpages, consulter les instructions d'installation de la table de cuisson/cuisinière. On doit disposer d'une prise de courant électrique reliée à la terre. Voir la section "Spécifications électriques".

La hotte a été configurée à l'usine pour une installation avec e sans décharge à l'extérieur (recyclage), voir "Installation sans décharge à l'extérieur (recyclage) à travers le soffite/placard", à la section "Préparation de l'emplacement".

Ensemble de filtres à charbon (pièce numéro W10272068) est disponible chez votre marchand ou chez un distributeur de pièces autorisé. Assurer l'étanchéité au niveau de chaque ouverture découpée dans le plafond ou le mur pour l'installation de la hotte de cuisinière.

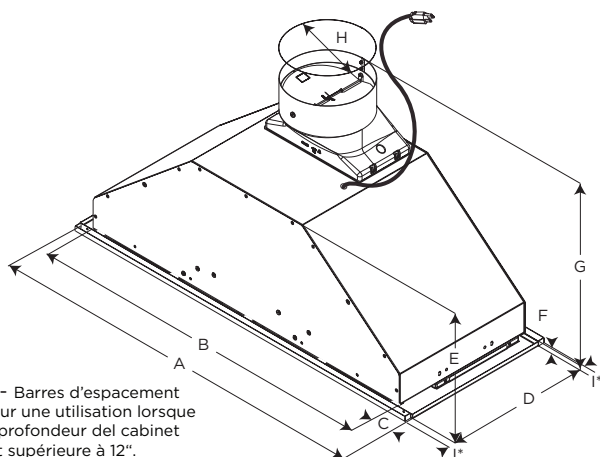
Installation dans une résidence mobile

L'installation de cette hotte doit satisfaire aux exigences de la norme Manufactured Home Construction Safety Standards, Titre 24 CFR, partie 328 (anciennement Federal Standard for Mobile Home Construction and Safety, titre 24, HUD, partie 280); lorsque cette norme n'est pas applicable, l'installation doit satisfaire aux critères de la plus récente édition de la norme Manufactured Home Installation 1982 (Manufactured Home Sites, Communities and Setups) ANSI A225.1/NFPA 501A, ou des codes locaux.

*®TORX est une marque déposée de Saturn Fasteners, Inc.

Exigences d' emplacement

Dimensions du produit

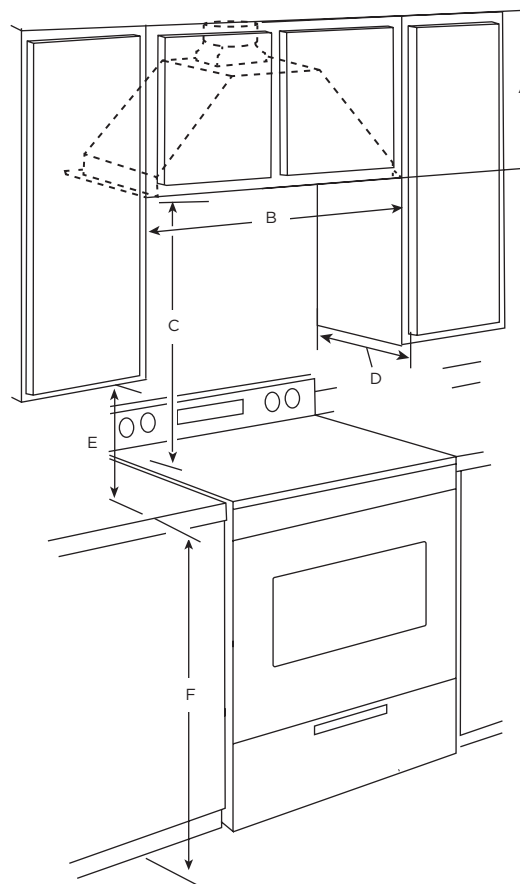


I* - Barres d'espacement
Pour une utilisation lorsque
la profondeur del cabinet
est supérieure à 12".

| | Modèle |
|----------|--|
| | EUM634SS |
| A | 34 ⁹ / ₆₄ " (86.7 cm) |
| B | 26" (66 cm) |
| C | 4 ¹ / ₁₆ " (10.3 cm) |
| D | 10 ³ / ₄ " (27.3 cm) |
| E | 10 ⁴⁵ / ₆₄ " (27.2 cm) |
| F | 0 ³ / ₈ " (.95 cm) |
| G | 15 ³ / ₄ " (40 cm) |
| H | 6" (15.2 cm) |
| I | ½" (1.27 cm) |

Pour l'installation a partir de la surface de cuisson électrique:
Monter cette hotte de sorte que le bord inférieur est au minimum de 30" (76.2 cm) au-dessus de la surface de cuisson.
Pour l'installation a partir de la surface de cuisson au gaz:
monter cette hotte pour que le fond n'est pas inférieur à 24" (61 cm).

Dégagements de séparation



- A. Hauteur minimale de placard
13³/₁₆" (33.5 cm)
- B. Largeur de l'ouverture de placard 35⁵/₁₆" (89.7 cm)
- C. 24" (61 cm) min. à partir de la surface de cuisson électrique, 30" (76.2 cm) min. à partir de la surface de cuisson au gaz; distance max. suggérée de 36" (91.4 cm) entre le bas du placard et la surface de cuisson.
- D. Profondeur minimale de placard de 12¹³/₆₄" (31 cm)
- E. Dégagement min. entre le haut du placard et le plan de travail de 15" (38.1 cm)
- F. Hauteur de placard sur plancher de 36" (91.4 cm)

Exigences Concernant l'évacuation

- Le circuit d'évacuation doit décharger l'air à l'extérieur, excepté pour les installations sans décharge à l'extérieur (recyclage).
- Ne pas terminer le circuit d'évacuation dans un grenier ou dans un autre espace clos.
- Ne pas utiliser une bouche de décharge murale de 4" (10,2 cm) normalement utilisée pour un équipement de buanderie.
- Utiliser un conduit métallique uniquement. Un conduit en métal rigide est recommandé. Ne pas utiliser de conduit de plastique ou en aluminium. La longueur du conduit de décharge et le nombre de coudes doivent être réduits au minimum pour fournir la meilleure performance.

Pour un fonctionnement efficace et silencieux:

- Ne pas utiliser plus de trois coudes à 90°.
- Veiller à ce qu'il y ait une section droite de conduit d'un minimum de 24" (61 cm) entre les raccords coudés, si on doit en utiliser plus d'un.
- Ne pas installer 2 coudes successifs.
- Le circuit d'évacuation doit comporter un clapet anti-r flux.
- Au niveau de chaque jointure du circuit d'évacuation, assurer l'étanchéité avec les brides de serrage.
- À l'aide d'un produit de calfeutrage, assurer l'étanchéité autour de la bouche de décharge à l'extérieur (à travers le mur ou le toit).
- La taille du conduit doit être uniforme.

Installations dans les régions au climat froid

On doit installer un clapet anti-retour valve supplémentaire à l'arrière pour minimiser le reflux d'air froid et incorporer un élément d'isolation thermique pour minimiser la conduction de chaleur par l'intermédiaire du conduit d'évacuation, de l'intérieur de la maison à l'extérieur. Le clapet anti-retour valve doit être placé du côté air froid de la résistance thermique.

Air d'appoint

Les codes du bâtiment locaux peuvent exiger l'emploi d'un système de renouvellement de l'air/introduction d'air d'appoint, lors de l'utilisation d'un système d'aspiration de débit supérieur à une valeur (pieds cubes par minute) spécifiée. Le débit spécifié en pieds cubes par minute varie d'une juridiction à l'autre.

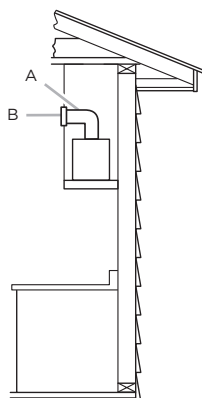
Consulter un professionnel des installations de chauffage ventilation/climatisation au sujet des exigences spécifiques applicables dans la juridiction locale.

Méthodes d'évacuation

Cette hotte a été configurée à l'usine pour la décharge à travers le toit ou à travers le mur.

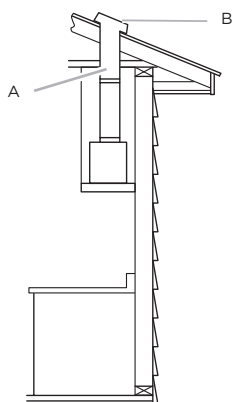
Le système de décharge requis pour l'installation n'est pas fourni. Un circuit d'évacuation avec conduit circulaire de 6" (15,2 cm) est recommandé.

Recyclage



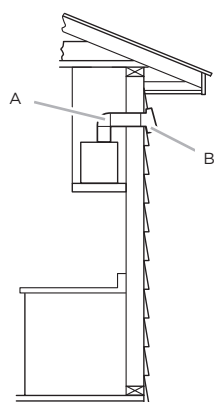
- A. Conduit de dia. 6" (15,2 cm) pour décharge à travers le placard
- A. Grille de recirculation rond

Décharge à travers le toit



- A. Conduit de dia. 6" (15,2 cm) pour décharge à travers le toit
- A. Bouche de décharge sur toit

Évacuation par le mur



- A. Conduit de dia. 6" (15,2 cm) pour décharge à travers le mur
- A. Bouche de décharge murale

Spécifications électriques

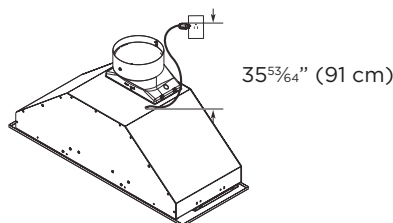
⚠ AVERTISSEMENT

BRANCHER SUR UNE PRISE À 3 ALVÉOLES RELIÉE À LA TERRE.
NE PAS ENLEVER LA BROCHE DE LIAISON À LA TERRE.
NE PAS UTILISER UN ADAPTATEUR.
NE PAS UTILISER UN CÂBLE DE RALLONGE.
LE NON-RESPECT DE CES INSTRUCTIONS PEUT CAUSER UN DÉCÈS, UN INCENDIE OU UN CHOC ÉLECTRIQUE.

IMPORTANT: La hotte doit être correctement reliée à la terre en conformité avec les codes et règlements locaux en vigueur, ou en l'absence de tels codes, avec le National Electrical Code, ANSI/ NFPA 70 (dernière édition) ou le Code canadien des installations électriques, CSA C22.1. No. 0-M91 (dernière édition). Si les codes le permettent et si on utilise un conducteur distinct de liaison à la terre, il est recommandé qu'un électricien qualifié vérifie la qualité de la liaison à la terre. Pour obtenir un exemplaire des normes des codes ci-dessus, contacter:

National Fire Protection Association
1 Batterymarch Park Quincy, MA 02169-7471
CSA International
8501 East Pleasant Valley Road
Cleveland, Ohio 44131-5575

- Une alimentation de 120 volts, 60 Hz, CA seulement, de 15 ou 20 ampères, protégée par un fusible est requise. On recommande également d'utiliser un fusible ou un disjoncteur temporisé. Il est recommandé de raccorder la hotte sur un circuit distinct exclusif à cet appareil.
- Cette hotte est équipée d'un cordon d'alimentation électrique de liaison à la terre à trois broches.
- Pour minimiser les risques de choc électrique, on doit brancher le cordon sur une prise de courant de configuration correspondante, à 3 alvéoles, reliée à la terre et installée conformément aux codes et règlements locaux.
- Si une prise de courant de configuration correspondante n'est pas disponible, le client a la responsabilité et l'obligation de faire installer par un électricien qualifié une prise de courant correctement reliée à la terre.
- La prise à 3 broches reliée à la terre doit se trouver dans un placard situé au-dessus de la hotte, à une distance minimale de 35⁵/₆₄" (91 cm) à partir du point duquel le cordon d'alimentation sort de la hotte. La prise à 3 broches reliée à la terre doit être accessible une fois la hotte installée. Voir l'illustration:



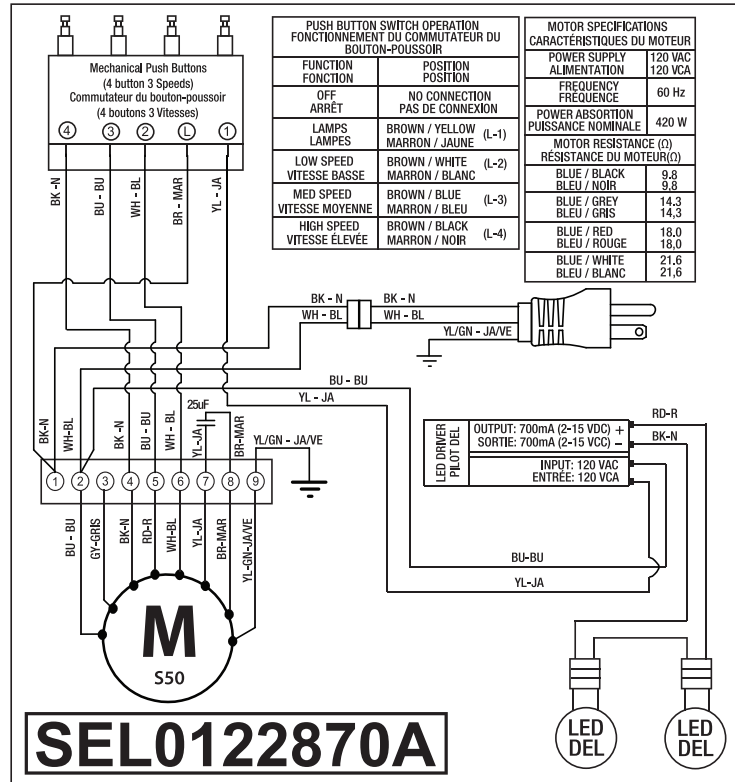
INSTRUCTIONS DE MISE À LA TERRE

- Pour une hotte reliée à la terre et connectée par un cordon:
- Cette hotte doit être reliée à la terre. Au cas où un court-circuit se produirait, la liaison à la terre réduit le risque de choc électrique, en permettant au courant de s'échapper directement vers la terre. La hotte est équipée d'un cordon comportant un conducteur de liaison à la terre avec fiche de liaison à la terre. La fiche doit être branchée dans une prise correctement installée et reliée à la terre.

AVERTISSEMENT: Une mise à la terre incorrecte peut entraîner un risque de choc électrique. Consulter un électricien qualifié si les instructions de mise à la terre ne sont pas complètement comprises, ou si vous avez des doutes quant à la qualité de la liaison à la terre de la hotte. Ne pas utiliser de câble de rallonge. Si le cordon d'alimentation électrique est trop court, faire installer une prise près de la hotte par un électricien qualifié.

CONSERVEZ CES INSTRUCTIONS

Schéma de câblage



Instructions d'installation

Préparation de l'emplacement

- Bll est recommandé que l'installation du circuit d'évacuation soit réalisée avant celle de la hotte.
- Avant de procéder aux découpes, vérifier que les distances de séparation pour les raccords dans les cavités du plafond ou du mur sont adéquates.
- Avant de monter le placard au mur, il sera peut-être plus facile de découper au préalable l'ouverture dans le fond du placard.

- 1 Déconnecter la source de courant électrique.
- 2 Déterminer la méthode d'évacuation à utiliser: décharge à travers le mur ou le toit, ou recyclage.
- 3 Choisir une surface plane pour l'assemblage de la hotte. Placer le matériau de protection sur cette surface.

⚠ AVERTISSEMENT

RISQUE DU POIDS EXCESSIF
UTILISER DEUX OU PLUS DE PERSONNES POUR DÉPLACER ET INSTALLER LA HOTTE DE LA CUISINIÈRE.
LE NON-RESPECT DE CETTE INSTRUCTION PEUT CAUSER UNE BLESSURE AU DOS OU D'AUTRE BLESSURE.

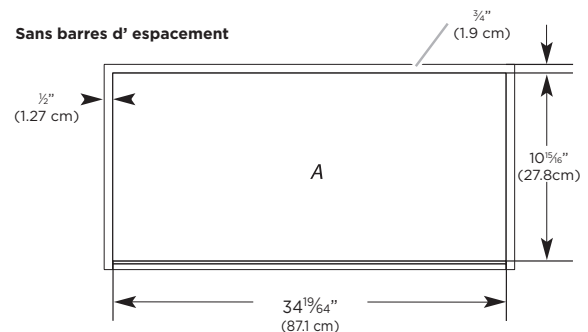
- 4 À l'aide de deux personnes ou plus, soulever la hotte et la poser sur la surface couverte.

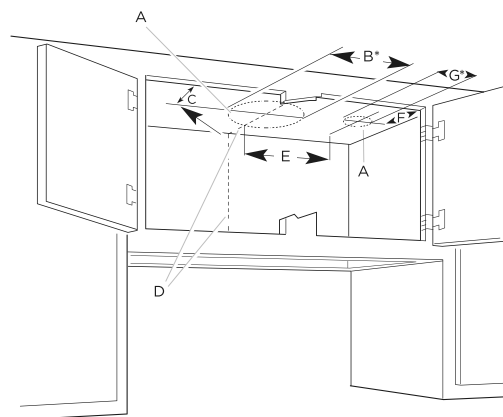
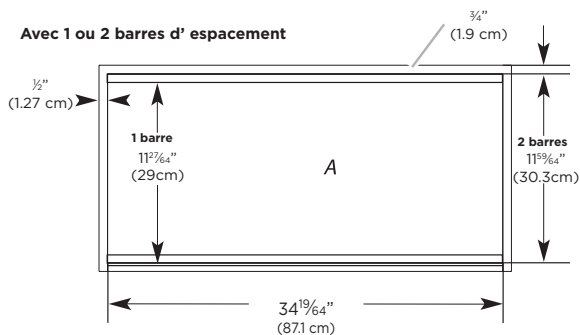
Ouverture découpée du placard pour la hotte

- 1 Utiliser une scie sauteuse ou scie à guichet pour découper une ouverture dans le fond du placard, à l'intérieur du cadre du placard.

REMARQUE: Pour les placards sans cadres, un rebord avant et arrière de $\frac{3}{4}$ " (1,9 cm) est nécessaire pour former un cadre dans le fond du placard. Une tringle d'appui de $\frac{3}{4}$ " (1,9 cm) d'épaisseur (non fournie) sera peut-être nécessaire pour certains types de placards).

Ouverture dimensions (sans barres d'espacement)





- A. Ouverture
- B. $\varnothing 6\frac{1}{4}$ " (15,9 cm)*
- C. $7\frac{5}{64}$ " (19,8 cm) entre l'axe central et l'avant du placard
- D. Axe central
- E. $4\frac{1}{2}$ " (10,6 cm)
- F. $3\frac{1}{64}$ " (8,3 cm) entre axe et l'avant du placard
- G. $\varnothing 4$ cm*

2 Terminer la préparation du placard conformément aux instructions correspondant au type d'évacuation du domicile. Déterminer l'emplacement des ouvertures d'aération et découper les ouvertures dans les placards, les murs et/ou les soffites.

Décharge à l'extérieur, à travers le toit

1 Relever les mesures appropriées et tracer les lignes indiquées sur l'illustration. Utiliser une scie sauteuse ou une scie à guichet pour découper une ouverture à travers le sommet du placard et le toit pour l'évacuation.

2 S'il n'est pas encore fixé, installer le raccord de transition de 6" (15,2 cm) au sommet de la caisse de la hotte à l'aide de deux vis T10 de 3,5 x 9,5 mm.

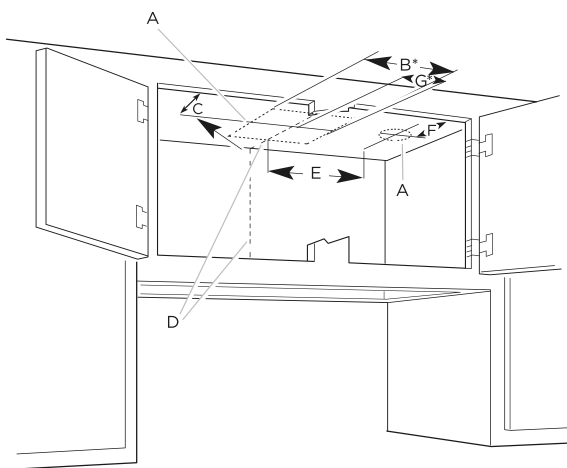
Mesures appropriées

Hauteur du placard Taille et forme du trou

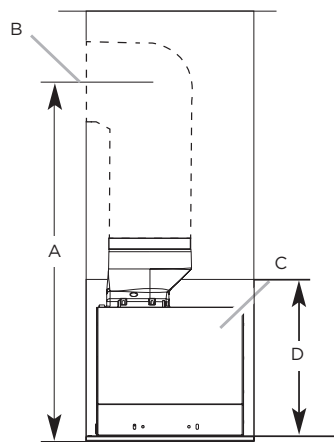
13 $\frac{3}{16}$ " (33,5 cm) Une ouverture rectangulaire de 8 $\frac{1}{64}$ " de largeur x 6 $\frac{1}{4}$ " de profondeur (21 cm x 15,9 cm) dans le sommet du placard est obligatoire pour établir le dégagement nécessaire au clapet anti-reflux.

Décharge à l'extérieur, à travers le mur

1 Mesurer la distance entre le bas de la caisse de la hotte et l'axe central horizontal de l'ouverture d'évacuation (A).



- A. Ouverture
- B. $8\frac{1}{64}$ " (21 cm) x $6\frac{1}{4}$ " (15,9 cm)*
- C. $7\frac{5}{64}$ " (20 cm) entre l'axe central et l'avant du placard
- D. Axe central
- E. $4\frac{1}{2}$ " (10,6 cm)
- F. $3\frac{1}{64}$ " (8,3 cm) entre axe et l'avant du placard
- G. $\varnothing 4$ cm*



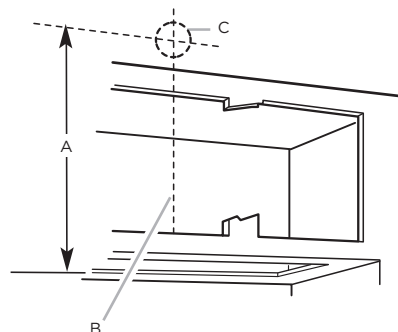
- A. Mesure A
- B. Axe central horizontal de l'ouverture d'évacuation
- C. Caisse de la hotte
- D. Hauteur minimum de 12" (30,5 cm)

2 Retirer le conduit d'évacuation de la caisse de la hotte. Reporter la dimension A sur la paroi arrière du placard. Prendre les mesures à partir de la face inférieure du placard.

3 Marquer le périmètre de l'ouverture à découper - voir l'illustration. Utiliser une scie sauteuse ou une scie à guichet pour découper une ouverture circulaire à travers l'arrière du placard et le mur extérieur pour l'évacuation.

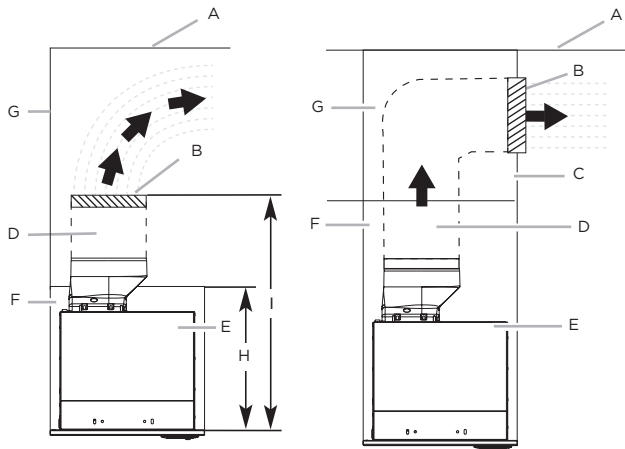
Hauteur du placard Taille et forme du trou

15" (38,1 cm) Une ouverture diamètre rond de 6 $\frac{1}{4}$ " (15,9 cm) est obligatoire.



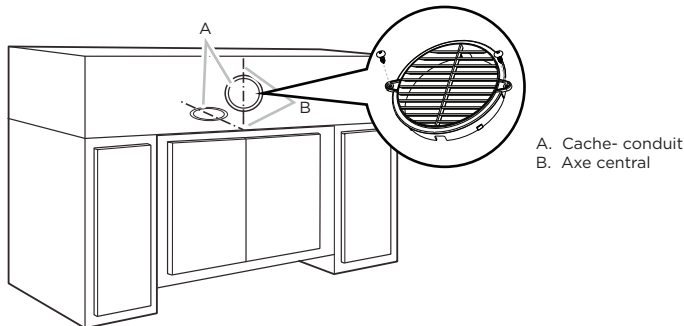
- A. Mesure A
- B. Axe central
- C. Ouverture découpée circulaire de 6 $\frac{1}{4}$ " (15,9 cm)

Installation sans décharge à l'extérieur (recyclage) à travers le soffite/placard



- | | |
|------------------------------|--|
| A. Plafond | F. Placard |
| B. Cache-conduit | G. Mur |
| C. Soffite | H. Hauteur du placard de 12" (30,5 cm) |
| D. Événement de 6" (15,2 cm) | I. Hauteur de cache-conduit de 17" (43,2 cm) |
| E. Hotte de cuisinière | |

- 1 Relever les mesures appropriées et tracer l'axe central d placard jusqu'au soffite situé au-dessus.
- 2 Mesurer la distance entre le bas du placard et l'axe central, au point où le conduit d'évacuation ressort du soffite. Indiquer l'emplacement et utiliser une scie sauteuse ou scie à guichet pour découper un trou de 5 3/4" (14,6 cm) pour le cache-conduit.



- A. Cache-conduit
B. Axe central

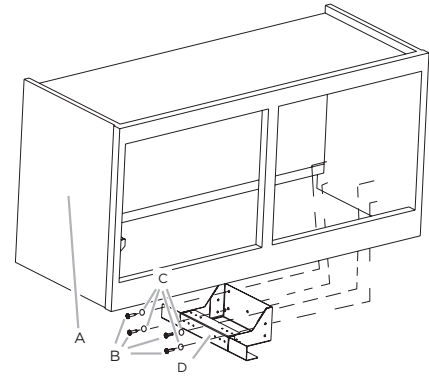
***REMARQUE:** Pour les placards d'une hauteur de 12" (30,5 cm), une ouverture rectangulaire de 6 1/4" de profondeur x 8" de largeur (14,6 cm x 20,3 cm) dans le sommet du placard est obligatoire pour établir le dégagement nécessaire au raccord de transition du clapet anti-reflux.

- 1 Relever les mesures appropriées et tracer l'axe central de l'ouverture, dans le sommet du placard.

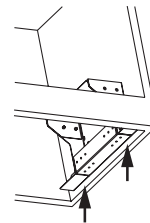
Complete preparation

- 1 S'il n'est pas encore fixé, installer le raccord de transition de 6" (15,2 cm) au sommet de la caisse de la hotte à l'aide de deux vis T10 de 3,5 x 9,5 mm.
- 2 Positionnez le placard de montage latéral à 1 cm de bas en haut et contre l'intérieur de la face avant de la bride. Orienter la bride tel qu'indiqué dans l'illustration suivante. Percer des avant trous de 1/8" (3 mm) en 8 points différents et fixer une bride à l'aide de quatre vis Phillips n°2 de 4,5 x 13 mm de chaque côté du placard - serrer ensuite. Le sachet de matériel comporte des rondelles supplémentaires en plastique qui peuvent être utilisées comme cales si l'épaisseur des parois du placard est inférieure à 1/2" (13 mm).

Orientation de la bride pour un placard de 34.5" (87.68 cm)

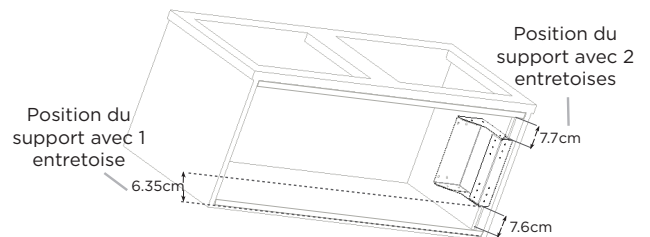
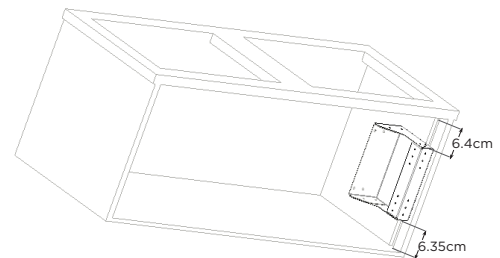


- A. Placard de 34.5" (87.68 cm)
B. 8 vis - 4.5 x 13 mm
C. Rondelles (facultatives)
D. 2 brides de montage (position for 34.5" [87.68 cm])



Déplacer le support 1/16" (1 cm) du fond côté de l'armoire

Position du support sans entretoises



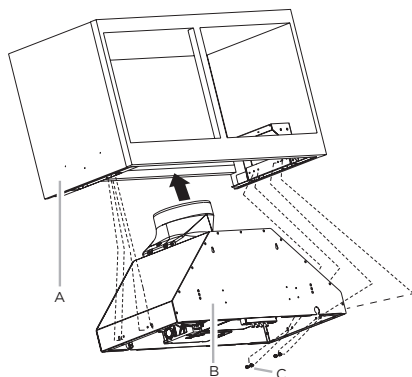
- 3 Installer le circuit d'évacuation selon la méthode requise. Utiliser un calfeutrant pour assurer l'étanchéité au point de traversée du mur extérieur ou du toit.

Installation de la hotte

⚠ AVERTISSEMENT

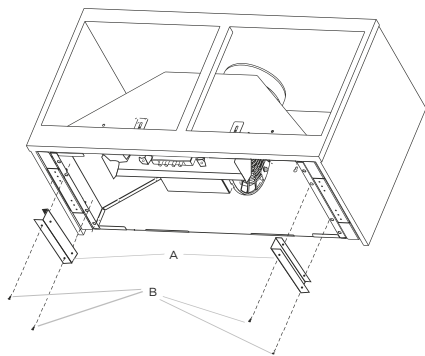
RISQUE DU POIDS EXCESSIF
UTILISER DEUX OU PLUS DE PERSONNES POUR DÉPLACER ET INSTALLER LA HOTTE DE LA CUISINIÈRE.
LE NON-RESPECT DE CETTE INSTRUCTION PEUT CAUSER UNE BLESSURE AU DOS OU D'AUTRE BLESSURE.

- 1 Retirez la pièce en polyuréthane qui se trouve à l'intérieur de la hotte.
- 2 Aligner la base de l'auvent avec le bas du placard. Installer 8 vis de 4,2 x 19 mm dans les trous de la plaque de montage et serrer les vis de montage.



A. Placard
B. Auvent de la hotte
C. 8 vis de 4,2 x 19 mm

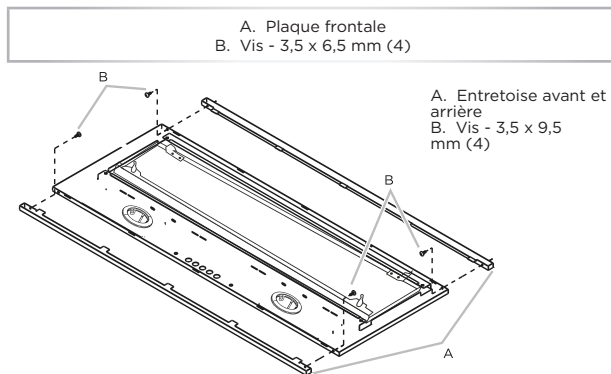
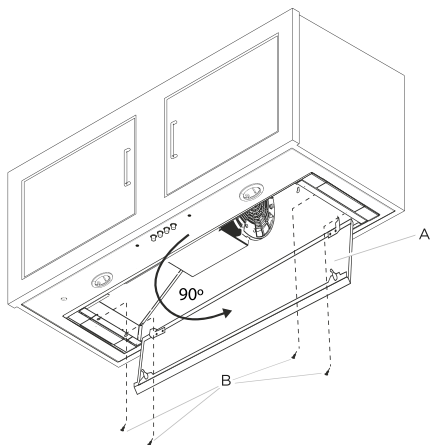
- 3 Retirez le projecteur en plastique et les filtres à graisse métalliques du panneau avant.
- 4 Retirez les câbles de connexion des lampes
- 5 Fixez les supports du panneau inférieur à l'intérieur du capot comme indiqué sur l'image, à l'aide de quatre vis 3,5 x 6,5 mm.



A. Supports de montage (2)
B. Vis - 3,5 x 6,5 mm (4)

- 6 Fixer le panneau inférieur à l'insert de la hotte, avec la plaque ouverte, placer quatre vis 3,5 x 6,5 mm fixant le panneau aux supports précédemment placés comme indiqué sur le schéma.

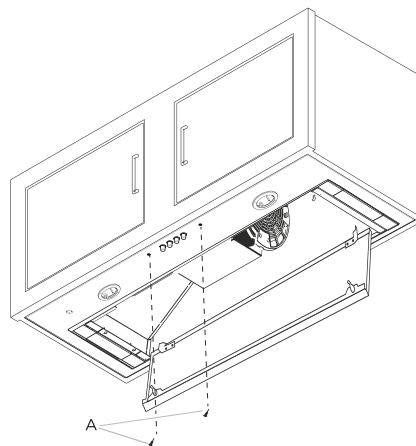
REMARQUE : Si la profondeur de l'armoire est supérieure à 12", il est recommandé d'installer les deux entretoises métalliques de 12". Installer sur les côtés avant et arrière de la plaque frontale avec des vis à tête ronde 3,5 x 9,5 mm, comme indiqué sur le dessin.



A. Plaque frontale
B. Vis - 3,5 x 6,5 mm (4)

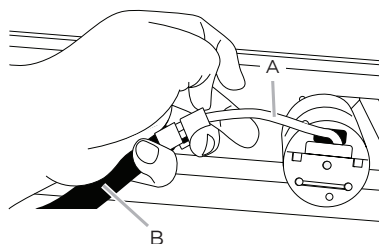
A. Entretoise avant et arrière
B. Vis - 3,5 x 9,5 mm (4)

- 7 Installez les deux vis de 4,2x15 mm situées sur les côtés des commandes de la hotte.



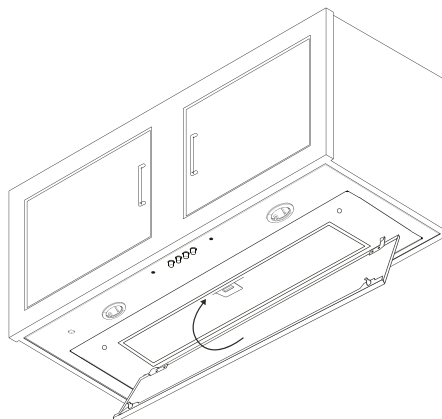
A. Vis - 4.2 x 15 mm (2)

- 8 Connectez le connecteur des lampes au connecteur présent à l'intérieur de la hotte comme indiqué sur le dessin.



A. Connecteur de lampe
B. Connecteur de capot

- 9 Remettez les filtres en place et remettez la plaque dans sa position initiale.



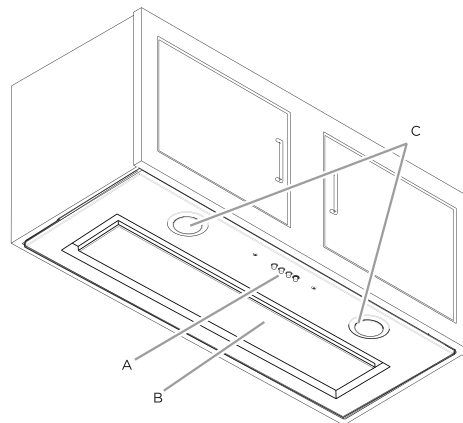
Raccordement du circuit d'évacuation

Installations avec décharge à l'extérieur

- 1 Connecter le circuit d'évacuation sur l'ouverture de décharge de la hotte. Serrer le point de connexion avec des brides.

Installation sans décharge à l'extérieur (recyclage)

- 1 Connecter le circuit d'évacuation sur l'ouverture de décharge de la hotte. Serrer le point de connexion avec des brides.
- 2 Installer le cache-conduit. Installer les filtres à charbon. Voir la section "Accessoires".



A. Commandes du ventilateur et de la lumière
B. Plaque frontale
C. Lampes LED

Achever l'installation

- 1 Réinstaller les filtres à graisse. Voir la section "Entretien".

⚠ AVERTISSEMENT

RISQUE DE CHOC ÉLECTRIQUE.

⚠ AVERTISSEMENT

BRANCHER SUR UNE PRISE À 3 ALVÉOLES RELIÉE À LA TERRE.

NE PAS ENLEVER LA BROCHE DE LIAISON À LA TERRE.

NE PAS UTILISER UN ADAPTATEUR.

NE PAS UTILISER UN CÂBLE DE RALLONGE.

LE NON-RESPECT DE CES INSTRUCTIONS PEUT CAUSER UN DÉCÈS, UN INCENDIE OU UN CHOC ÉLECTRIQUE.

- 2 Brancher le cordon d'alimentation à 3 broches dans la prise à 3 alvéoles reliée à la terre située dans le placard qui se trouve au-dessus de la hotte.

- 3 Contrôler le fonctionnement du ventilateur de la hotte et de la lampe. Voir la section "Utilisation de la hotte".

Si la hotte ne fonctionne pas, déterminer si un disjoncteur s'est ouvert ou si un fusible du domicile est grillé.

Déconnecter la source de courant électrique et inspecter les connexions du câblage.

REMARQUE: Pour pouvoir tirer le plus grand parti de la nouvelle hotte de cuisinière, lire la section "Description de la hotte".

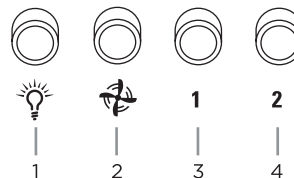
Description de la hotte

La hotte de cuisinière est conçue pour extraire fumée, vapeurs de cuisson et odeurs de la zone de la table de cuisson.

Pour obtenir les meilleurs résultats, mettre le ventilateur de la hotte en marche avant d'entreprendre une cuisson, et la laisser fonctionner pendant plusieurs minutes après l'achèvement d'une cuisson pour pouvoir évacuer de la cuisine toute trace d'odeur de cuisson, vapeur ou fumée.

Les commandes de la hotte sont situées sur l'avant-centre de la caisse de hotte.

Commandes



- 1 Bouton d' éclairage On/Off (marche/arrêt)
- 2 Bouton de vitesse minimale et d'arrêt du ventilateur
- 3 Bouton de vitesse moyenne du ventilateur
- 4 Bouton de vitesse maximale du ventilateur

Utilisation de la lampe

Le bouton d'éclairage On/Off permet de contrôler toutes les lumières.

Appuyez une fois pour allumer et deux fois pour éteindre.

Utilisation du ventilateur

Les boutons BLOWER SPEED (vitesse du ventilateur) activent le ventilateur et contrôlent sa vitesse et son niveau sonore pour un fonctionnement silencieux.

La vitesse peut être modifiée à tout moment pendant le fonctionnement du ventilateur en appuyant sur le bouton de vitesse du ventilateur souhaité.

Appuyez deux fois sur le bouton BLOWER OFF pour éteindre le ventilateur.

(Appuyez deux fois sur le bouton BLOWER OFF pour éteindre le ventilateur.

Nettoyant

Ne pas vaporiser de nettoyants directement sur le panneau de contrôle lors du nettoyage de la Hotte. La hotte doit être régulièrement nettoyée à l'intérieur et à l'extérieur (au moins à la même fréquence que pour l'entretien des filtres à graisse). Pour le nettoyage, utiliser un chiffon humidifié avec un détergent liquide neutre. Ne pas utiliser de produit contenant des abrasifs. **NE PAS UTILISER D'ALCOOL!**

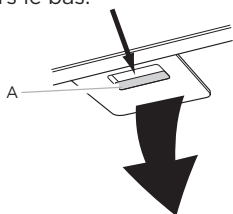
⚠ ATTENTION

Il y a risque d'incendie si vous ne respectez pas les instructions concernant le nettoyage de l'appareil et le remplacement ou le nettoyage du filtre.

La responsabilité du constructeur ne peut en aucun cas être engagée dans le cas d'un endommagement du moteur ou d'incendie liés à un entretien négligé ou au non respect des consignes de sécurité précédemment mentionnées.

Filtre à graisse métallique

- 1 Retirer le filtre en tirant sur la poignée à ressort, puis en tirant le filtre vers le bas.



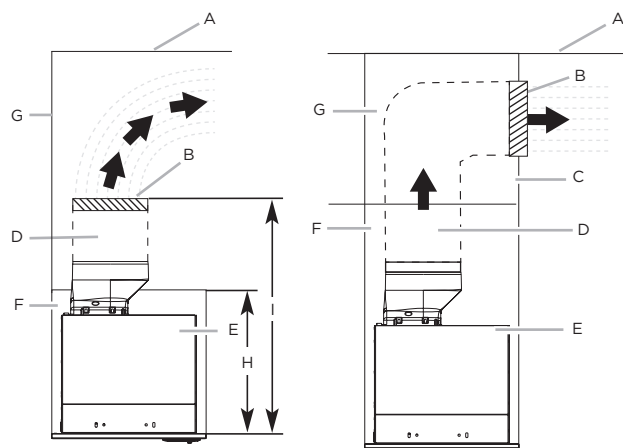
- 2 Laver le filtre métallique selon le besoin au lave-vaisselle ou avec une solution de détergent chaude.
- 3 Réinstaller le filtre en s'assurant que les poignées à ressort sont orientées vers l'avant. Insérer le filtre à graisse métallique dans la rainure supérieure.
- 4 Tirer sur la poignée à ressort.
- 5 Pousser le filtre métallique vers le haut et relâcher la poignée pour l'emboîter.

Remplacement de la lampe à DEL

Les lumières DEL sont remplaçables par un technicien de service seulement. Voir les informations de contact de service: "Qui contacter".

REMARQUE: Lorsque vous le retirerez pour le remplacer par un autre, n'enlever pas les ressorts de fixation, poussez-les simplement et faites-les tourner vers l'extérieur.

S'il n'est pas possible d'évacuer les fumées et vapeurs de cuisson à l'extérieur, on peut employer la version installation sans décharge à l'extérieur (recyclage) de la hotte, dotée de deux filtres à charbon et du déflecteur (non inclus). Les vapeurs/fumées sont alors recyclées à travers la grille rond.

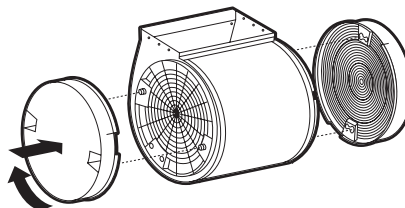


A. Plafond
B. Cache-conduit
C. Soffite
D. Évent de 6" (15,2 cm)
E. Hotte de cuisinière

A. Placard
B. Mur
C. Hauteur de placard de 12" (30,5 cm)
D. Hauteur de cache-conduit de 17" (43,2 cm)

REMARQUE: Pour des placards de 12" (30,5 cm) de hauteur qui ne comportent pas de soffite, le conduit et le cache-conduit de 6" (15,2 cm) peuvent rester visibles.

- 1 Posez le filtre à charbon comme couverture de la grille qui protège le moteur aspirant de manière que les fentes présentes sur le filtre correspondent aux pivots sur les côtés de la grille protège-moteur.
 - 2 Tournez le filtre à charbon dans le sens des aiguilles d'une montre pour le bloquer (fixation à baïonnette).
- Les filtres à charbon ne peuvent pas être nettoyés. Il doit être remplacé tous les 4-6 mois (selon l'utilisation de la hotte).
 - Enlever les attaches de câble dans le filtre de carbone pour pouvoir le tourner dans le sens des aiguilles d'une montre.



Couverture de la hotte -Non inclus

- Couverture de la hotte offre une protection complète des placards de 36" de largeur x 17" ou 20" de profondeur. Reportez-vous aux instructions d'installation de la couverture pour plus de détails.

POUR OBTENIR UN DEPANNAGE SOUS GARANTIE

Le propriétaire doit présenter une preuve de la date d'achat. Garder une copie de votre preuve d'achat datée (ticket de caisse) de façon à pouvoir bénéficier du service après-vente sous garantie.

GARANTIE PIÈCES DE RECHANGE ET MAIN D'OEUVRE

Pendant une période de deux (2) ans à partir de la date d'achat, Elica s'engage à fournir gratuitement les pièces de rechange ou les composants autres que les recharges ayant des défauts de fabrication.

Durant cette garantie de deux (2) ans, Elica fournira également gratuitement, toute la main d'oeuvre et le service à domicile pour remplacer d'éventuelles pièces défectueuses.

CE QUE LA GARANTIE NE COUVRE PAS

- Dégât ou panne du produit causé par un accident ou un cas de force majeure tels que inondation, incendie ou tremblement de terre.
- Dégât ou panne du produit causé par modification du produit ou utilisation de pièces pas d'origine.
- Dégât ou panne du produit causé lors de la livraison, de la manipulation ou de l'installation.
- Dégât ou panne du produit causé par une mauvaise utilisation.
- Dégât ou panne du produit causé par un remplacement des fusibles ou une remise en fonction des disjoncteurs par le propriétaire.
- Dégât ou panne du produit causé par une utilisation du produit pour raison commerciale.
- Déplacement à domicile pour explication d'utilisation ou d'entretien.
- Ampoules, filtres métalliques ou au charbon et toute autre pièce consommable.
- Usure normale.
- Usure due à une mauvaise utilisation du propriétaire, un entretien incorrect, une utilisation de substances nettoyantes corrosives ou abrasives et produits de nettoyage pour four.

QUI EST COUVERT

Cette garantie s'étend à l'acheteur original de produits achetés pour un usage domestique habituel en Amérique du Nord (Y compris Etats Unis, Guam, Porto Rico, les Iles virgins Américaines & le Canada).

Cette garantie n'est pas transférable et vaut uniquement pour l'acheteur original et ne s'étend pas aux propriétaires successifs du produit. Cette garantie vaut expressément en lieu et place de toute autre garantie, expresse ou sous-entendue, mais ne limite pas toute autre garantie sous-entendue de marchandage ou adaptation dans un but particulier et toute autre obligation de la part de Elica North America, étant entendu, cependant, que si la réclamation pour garanties sous-entendues n'est pas applicable aux yeux de la loi en vigueur, la durée de toute garantie sous-entendue émanant de la loi doit être limitée à deux (2) ans à partir de la date d'achat du produit ou à une période plus longue selon ce que dit la loi en vigueur.

Cette garantie ne couvre pas tout dégât particulier, accidentel et/ou consécutif, ni les pertes et profits, à charge du propriétaire, des ses clients et/ou des utilisateurs Des produits.

QUI CONTACTER

Pour obtenir un Service Après-vente durant la Garantie ou pour toute autre Question liée au Service Après-vente:

Appeler:

- Service Après-vente autorisé Elica North America au (888) 732-8018
- Pour l'Est du Canada, composez le 1-888 651 2534 *Demandez le service après-vente*

Contenido

Aviso de seguridad importante 27

Lista de materiales 29

 Piezas suministradas 29

 Piezas no suministradas 29

Dimensiones y espacios libres 30

Requisitos de ventilación 31

Tipos de ductos y ejemplos 31

Requisitos eléctricos 31

Instalación 35

 Complete la instalación 37

Descripción de la campana 37

Control 37

Mantenimiento..... 38

Garantía 39

**APROBADO PARA APARATOS DE USO DOMÉSTICO
SÓLO PARA USO DOMÉSTICO
LEA Y GUARDE ESTAS INSTRUCCIONES**

**ANTES DE CONTINUAR, LEA LAS INSTRUCCIONES POR COMPLETO.
LA INSTALACIÓN DEBE CUMPLIR TODA LA NORMATIVA LOCAL.**

IMPORTANTE: Guarde estas instrucciones para su uso por parte del inspector de electricidad local.

INSTALADOR: Entregue al propietario estas instrucciones junto con la unidad.

PROPIETARIO: Conserve estas instrucciones para futuras consultas.

Advertencia de seguridad: Antes de realizar el cableado de este aparato, desactive el circuito de energía eléctrica en el panel de servicio y desbloquee el panel.

Requisito: Circuito auxiliar de 120 V-, 60 Hz. 15 ó 20 A.

CAMPANA PURIFICADORA
 Marca: ELICA
 Modelos: EPR628S1
 Contenido: 1 pza
 Hecho en México
 Fabricado por: ELICAMEX S.A. de C.V.
 Dirección: Av. La Noria (Prolongación) #102
 Col. Ampliación Parque Industrial Querétaro,
 Santa Rosa Jáuregui, C.P. 76215 Querétaro.
 R.F.C. EII060102RK8



⚠ Aviso de Seguridad Importante

⚠ PRECAUCIÓN

SÓLO PARA USO DE VENTILACIÓN GENERAL. NO UTILIZAR PARA EXPULSAR VAPORES O MATERIALES PELIGROSOS O EXPLOSIVOS.

⚠ ADVERTENCIA

PARA REDUCIR EL RIESGO DE FUEGO, DESCARGA ELÉCTRICA O LESIONES PERSONALES, RESPETE LO SIGUIENTE:

A. Utilice esta unidad solamente en el modo que indica el fabricante. En caso de duda, póngase en contacto con el fabricante.

B. Antes de reparar o limpiar la unidad, desconecte la alimentación en el panel de servicio y bloquee los medios de desconexión del panel de servicio para evitar la conexión accidental de la alimentación. Si no es posible bloquear los medios de desconexión del panel de servicio, coloque un dispositivo de advertencia que destaque como, por ejemplo, una etiqueta, en el panel de servicio.

C. La instalación y el cableado eléctrico deben realizarlos personas cualificadas de acuerdo con las normativas y los estándares aplicables, incluida la construcción ignífuga.

D. Es necesaria una ventilación suficiente para la correcta combustión y expulsión de gases por la salida de humos (Chimenea) del equipo de combustión de carburante para evitar el contratiempo. Siga las directrices de fabricantes de equipos de calefacción y los estándares de seguridad como los publicados por la National Fire Protection Association (NFPA), American Society for Heating, Refrigeration and Air Conditioning Engineers (ASHRAE) y las normativas locales.

E. Al efectuar orificios en una pared o techo, no dañe el cableado eléctrico y otras instalaciones ocultas.

F. Los sistemas instalados mediante conducto deben tener ventilación con salida al exterior.

⚠ PRECAUCIÓN

Para reducir el riesgo de fuego y conseguir una salida del aire correcta, asegúrese de conducir el aire hacia el exterior. No permita que el aire se expulse en espacios situados en el interior de muros, techos, desvanes, sótanos de pequeña altura o garajes.

⚠ ADVERTENCIA

PARA REDUCIR EL RIESGO DE FUEGO, UTILICE SOLAMENTE TUBOS METÁLICOS.

Instale esta campana de acuerdo con los requisitos especificados.

⚠ ADVERTENCIA

Para reducir el riesgo de fuego o descarga eléctrica, no utilice esta campana con ningún dispositivo externo en estado sólido para el control de la velocidad.

⚠ ADVERTENCIA

La mala colocación de los tornillos o artefactos de montaje o sujeción de acuerdo a estas instrucciones puede traer consigo peligros eléctricos.

⚠ ADVERTENCIA

PARA REDUCIR EL RIESGO DE INCENDIO OCASIONADO POR GRASA:

- No deje nunca ninguna unidad externa desatendida y con valores de fuego altos. La cocción puede causar humo o reboses de grasa que pueden prender fuego. Caliente el aceite a fuego lento o medio.
- Limpie con frecuencia los ventiladores. No permita que la grasa se acumule en el ventilador o filtro.
- Utilice un tamaño de sartén adecuado. Utilice siempre piezas de batería de cocina adecuadas al tamaño del elemento de superficie.
- Apto para usarse en el área de la cocina doméstica.

⚠ ADVERTENCIA

PARA REDUCIR EL RIESGO DE LESIONES PERSONALES, EN CASO DE FUEGO OCASIONADO POR GRASA, TENGA EN CUENTA LO SIGUIENTE:^a

- EXTINGA LAS LLAMAS con una tapa ajustada, una lámina para hacer galletas u otro tipo de bandeja metálica y apague el quemador de gas o elemento eléctrico. TENGA CUIDADO PARA EVITAR QUEMADURAS. Si las llamas no se extinguen inmediatamente, DESALOJE EL LUGAR Y LLAME A LOS BOMBEROS.
- NUNCA TOME UNA SARTÉN EN LLAMAS, podría sufrir quemaduras.
- NO UTILICE AGUA, incluidas bayetas o toallas húmedas ya que se produciría una violenta explosión de vapor.
- Utilice un extintor SÓLO si:
 - Sabe que dispone de un extintor de la clase ABC y conoce su funcionamiento.
 - El fuego es pequeño y se encuentra en la misma zona donde se inició.
 - Ha llamado a los bomberos.
 - Puede luchar contra el fuego teniendo una salida a su espalda.

^aBasado en "Consejos de seguridad para fuegos de cocina" publicado por NFPA.

FUNCIONAMIENTO

Coloque siempre las rejillas y los filtros de seguridad en su lugar correspondiente. Sin estos componentes, los ventiladores en funcionamiento podrían atrapar su pelo, sus dedos o su ropa.

El fabricante declina toda responsabilidad en caso de fallo de cumplimiento de las instrucciones aquí facilitadas para la instalación, el mantenimiento y el uso adecuado del producto. El fabricante declina además toda responsabilidad por daños ocasionados por negligencia y la garantía de la unidad queda cancelada automáticamente como consecuencia de un mantenimiento incorrecto.

⚠ PRECAUCIÓN

Equipo operado automáticamente - para reducir el riesgo de lastimarse desconecte de la línea antes de dar servicio.

- Use esta unidad de la manera para la que fue diseñada por el fabricante. Si tiene preguntas, póngase en contacto con el fabricante.
- Electrodoméstico diseñado exclusivamente para su uso en interiores.
- Antes de dar servicio o limpiar la unidad, apague el suministro de energía en el panel de servicio y bloquee los medios de desconexión del servicio para evitar que se encienda accidentalmente el suministro de energía. Cuando el medio de desconexión del servicio no se pueda bloquear, sujete de manera segura un dispositivo de advertencia prominente, como podría ser una etiqueta, al panel de servicio.
- Limpie la unidad de acuerdo a las instrucciones descritas en este manual para evitar riesgo de incendio.
- El trabajo de instalación y cableado se debe llevar a cabo por una persona(s) calificada(s), en conformidad con todos los códigos y estándares aplicables, incluyendo construcciones clasificadas como resistentes al fuego.
- No opere ningún ventilador que tenga un cable o enchufe dañado. Deshágase del ventilador o devuélvalo a un lugar de servicio autorizado para que sea examinado y/o reparado.
- Es necesario que haya suficiente aire para la adecuada combustión y ventilación de gases a través del conducto (la chimenea) del equipo que consume combustible, para evitar que ocurra contratiempo. Siga la guía y los estándares de seguridad del fabricante del equipo de calefacción.
- Cuando corte o taladre en una pared o techo, no dañe el cableado ni otros servicios públicos.
- Los ventiladores con conductos siempre deben dar salida al aire hacia el exterior.

NOTA: Sólo para versión Aspirante.

- Para usarse solamente en ventilación común. No lo utilice para ventilar materiales y vapores peligrosos o explosivos.
- Sólo use conductos metálicos.

RECOMENDACIONES GENERALES

- Nunca deje las unidades de superficie sin vigilancia cuando estén en ajustes altos. Los derrames por hervor causan salpicaduras grasosas y humeantes, las cuales pueden encenderse. Caliente los aceites lentamente y con ajustes bajos o medios.
- Siempre ENCIENDA LA CAMPANA cuando cocine.
- Limpie los filtros anti-grasa con frecuencia (al menos cada 2 meses). No permita que se acumule la grasa en el filtro. Aplica para filtros de aluminio.
- Se recomienda cambiar los filtros de carbón cada 6 meses (ver números de parte en pág. 21).
- No flamear alimentos bajo la campana de cocina.
- Use cacerolas del tamaño adecuado. Siempre use utensilios de cocción que sean los adecuados para el tamaño del elemento de la superficie.
- Este aparato no se destina para utilizarse por personas (incluyendo niños) cuyas capacidades físicas, sensoriales o mentales sean diferentes o estén reducidas o carezcan de experiencia o conocimiento a menos que dichas personas reciban supervisión o capacitación del funcionamiento del aparato por una persona responsable de su seguridad.
- Los niños deben supervisarse para asegurar que ellos no empleen los aparatos como juguete.
- No use el ventilador de la campana con ningún dispositivo semiconductor para el control de la velocidad.

Lista de Materiales

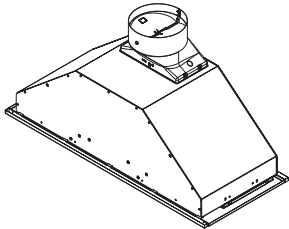
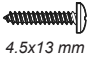
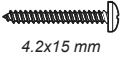
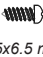
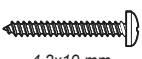
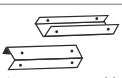
Remoción de la confección

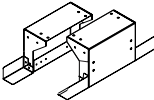
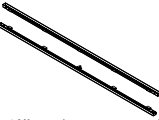

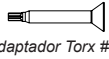


⚠ PRECAUCIÓN

Quite la caja cuidadosamente, use guantes para protegerse contra los bordes afilados.

⚠ ADVERTENCIA

Quite la película de protección que cubre el producto antes de ponerlo en funcionamiento.

| Piezas suministradas | Piezas |
|---|--------|
|  | 1 |
| <i>Campana y lámparas LED previamente instaladas</i> | |
|  | 8 |
| 4.5x13 mm | |
|  | 2 |
| 4.2x15 mm | |
|  | 8 |
| 3.5x6.5 mm | |
|  | 8 |
| 4.2x19 mm | |
|  | 2 |
| Soportes para panel inferior | |

| Piezas suministradas | Piezas |
|--|--------|
|  | 2 |
| Soportes de montaje | |
|  | 2 |
| Espaciadores metálicos (usarse cuando la profundidad del gabinete es mayor a 12") | |
|  | 6 |
| 3.5x9.5 mm tornillos de cabeza redonda | |
|  | 1 |
| Adaptador Torx #10 | |
|  | 8 |
| Rondana de Ø 6.4x18 mm | |
|  | 8 |
| Rondana de Ø 4.2x12 mm | |

Herramientas/Materiales necesarios

- Nivel
- Taladro
- Broca de 1/8" (3.0 mm)
- Lápiz
- Pinzas
- Cinta de medir o regla
- Pistola para calafateo o y masilla impermeable para calafateo
- Destornillador de hoja plana
- Destornillador Phillips
- Sierra de vaivén o sierra caladora
- Abrazaderas para ducto
- Tijeras de hojalatero

Partes necesarias

- Ducto metálico de ventilación de 6" (15.2 cm)

Accesorios opcionales

| KIT | # Pieza |
|-------------------------|--------------------------------|
| | 34.5" (87.63 cm) |
| Kit Recirculante | KITO2770 |
| Kit de Extensión | Hasta 36" de ancho KITO2774 |

Requisitos de ubicación:

IMPORTANTE: Observe todos los códigos y ordenanzas aplicables.

Haga que un técnico calificado instale la campana para cocina. Es la responsabilidad del instalador cumplir con los espacios de instalación especificados en la placa con la clasificación de modelo/serie. La placa con clasificación de modelo/serie está ubicada dentro del revestimiento, detrás del filtro, en la pared izquierda de la campana para cocina.

La ubicación de la campana para cocina deberá estar lejos de zonas con corrientes fuertes de aire, tales como ventanas, puertas u orificios de calefacción con un flujo intenso.

Deben usarse las dimensiones de la abertura del armario que se muestran. Las dimensiones proporcionadas proveen los espacios mínimos. Consulte las instrucciones de instalación del fabricante de la superficie de cocción/estufa antes de hacer cualquier corte.

Se requiere un enchufe eléctrico con conexión a tierra.

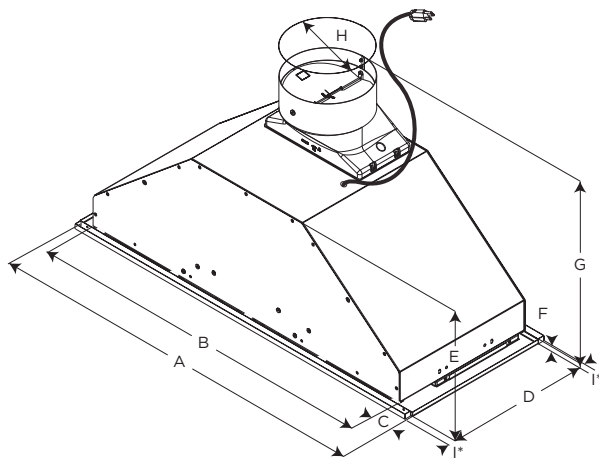
Consulte la sección "Requisitos eléctricos".

La campana para cocina se ha ajustado de fábrica para las instalaciones con ventilación a través del techo o de la pared. Para ver la instalación sin ducto de escape (con recirculación), consulte "Instalación sin ducto de escape (con recirculación) a través del sofrito/armario" en la sección "Preparación de la ubicación". Se deben sellar todas las aberturas en el techo y la pared en donde se va a instalar la campana para cocina.

Para la instalación en casas rodantes:

Estándar de seguridad y construcción de casas fabricadas, Título 24 CFR, Parte 328 (anteriormente conocido como Federal Standard for Mobile Home Construction and Safety [Estándar federal para la seguridad y construcción de casas rodantes], Título 24, HUD Parte 280), o cuando dicho estándar no sea aplicable, el estándar Manufactured Home Installation (Instalación en casas fabricadas) de 1982 (Manufactured Home Sites, Communities and Setups [Obras, comunidades e instalaciones de casas fabricadas]), ANSI A225.1/NFPA.

*@TORX es una marca registrada de Saturn Fasteners, Inc.

Requisitos de Instalación**Dimensiones del producto**

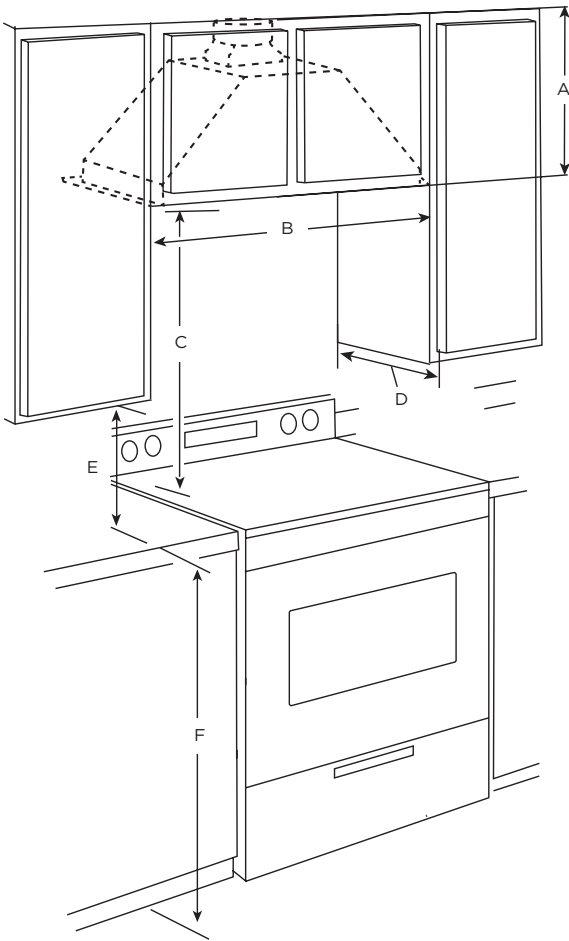
I* - Espaciadores metálicos
Los espaciadores deben ser instalados cuando la profundidad del gabinete es mayor a 12".

| | Modelo |
|----------|--|
| | EUM634SS |
| A | 34 ⁹ / ₆₄ " (86.7 cm) |
| B | 26" (66 cm) |
| C | 4 ¹ / ₁₆ " (10.3 cm) |
| D | 10 ³ / ₄ " (27.3 cm) |
| E | 10 ⁴⁵ / ₆₄ " (27.2 cm) |
| F | 0 ³ / ₈ " (.95 cm) |
| G | 15 ³ / ₄ " (40 cm) |
| H | 6" (15.2 cm) |
| I | 1/2" (1.27 cm) |

Para instalaciones sobre estufas de gas: Monte la campana de modo que su cara inferior esté a una distancia mínima de 30" (76.2 cm) por sobre la superficie de cocinado.

Para instalaciones sobre estufas eléctricas: Monte la campana de modo que su cara inferior esté a una distancia no menor a 24" (61 cm).

Medidas de instalación



- A. 13³/₁₆" (33.5 cm) altura mínima del armario superior
- B. 35⁵/₁₆" (89.7 cm) ancho de la abertura del armario
- C. 24" (61 cm) mínimo desde la superficie de cocción eléctrica y 30" (76.2 cm) en estufa de gas. 36" (91.4 cm) máximo sugerido desde la base del armario hasta la superficie de cocción
- D. 12¹³/₆₄" (31 cm) profundidad mínima del armario
- E. 15" (38.1 cm) espacio mínimo entre el armario superior y el mostrador
- F. 36" (91.4 cm) altura del armario inferior

- Use abrazaderas para sellar todas las juntas en el sistema de ventilación.
- Utilice masilla de calafateo para sellar la abertura exterior de la pared o el techo alrededor de la cubierta.
- El tamaño del ducto de escape debe ser uniforme.

Instalaciones en climas fríos

Como parte del sistema de ventilación, se deberá instalar una compuerta de contratiro adicional para minimizar el flujo de aire frío hacia atrás, y un dispositivo de interrupción térmico para reducir la conducción de las temperaturas exteriores. La compuerta deberá estar en el lado del aire frío del dispositivo de interrupción térmico. El dispositivo de interrupción deberá estar lo más cerca posible del lugar donde el sistema de ventilación entra a la parte con calefacción de la casa.

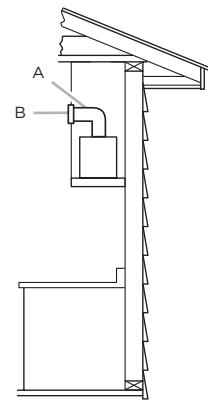
Aire de complemento

Los códigos locales de construcción podrían requerir el uso de sistemas de aire de complemento, en el caso de que se usen sistemas de ventilación con un movimiento de aire mayor a los CFM (pies cúbicos por minuto) especificados. Los pies cúbicos por minuto especificados varían entre localidades. Consulte a su profesional de Calefacción, Ventilación y Acondicionamiento de Aire (HVAC) para obtener información sobre los requisitos particulares en su zona.

Métodos de ventilación

La campana para cocina se ha ajustado de fábrica para tener una ventilación a través del techo o de la pared. No se incluye el sistema de ducto de escape necesario para la instalación. Se recomienda un sistema de ducto de escape redondo de 6" (15.2 cm).

Recirculante



- A. Ducto de 6" (15.2 cm) a través del gabinete
- A. Rejilla redonda

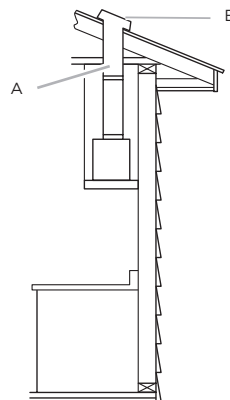
Requisitos de Ventilación

- El sistema de ventilación debe terminar en el exterior, excepto para las instalaciones sin ducto de escape (con recirculación).
- No dirija la salida del sistema de ventilación hacia el desván u otra área cerrada.
- No utilice una cubierta de pared de tipo para lavandería de 4" (10.2 cm).
- Utilice ducto de escape de metal únicamente. Se recomienda un ducto de escape de metal rígido. No se recomienda ducto de escape de plástico u hoja metálica. El largo del sistema de ventilación y el número de codos se deben mantener.

Para obtener el funcionamiento más eficaz y silencioso:

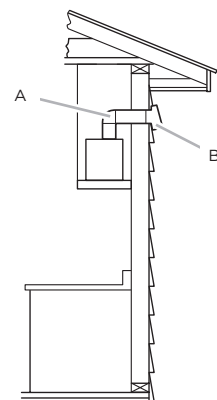
- No use más de 3 codos de 90°.
- Asegúrese de que haya un mínimo de 24" (61 cm) de ducto de escape recto entre los codos, si se utiliza más de 1 codo.
- No instale 2 codos lado a lado.
- El sistema de ventilación debe tener una compuerta.

Ventilación a través del techo



- A. Ducto de 6" (15.2 cm) a través del techo
- A. Boquilla para el techo

Ventilación a través de la pared



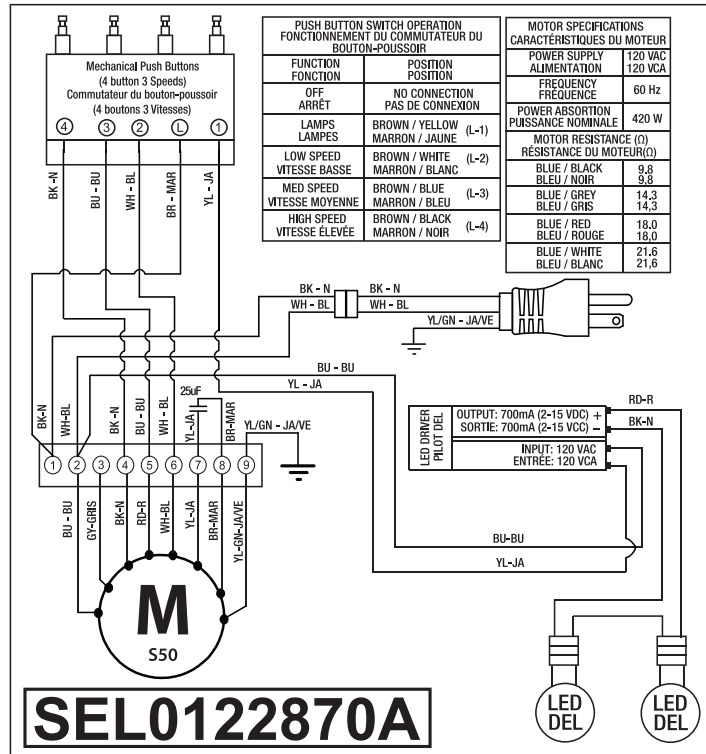
- A. Ducto de 6" (15.2 cm) a través del techo
- A. Boquilla para pared

Requisitos eléctricos

Características eléctricas (nominales)

| | | |
|---------------------------|-------------------|-----|
| Modelo | EPR628S1 | |
| Voltaje | 120 V- | |
| Corriente | A | |
| Frecuencia | 60 Hz | |
| Potencia máx. de lámparas | 2 x 2.1 W | |
| Consumo de energía | Modo de espera | W/h |
| | Modo de operación | W/h |

Diagrama Eléctrico



⚠ ADVERTENCIA

CONECTE A UN CONTACTO DE PARED DE CONEXIÓN A TIERRA DE 3 TERMINALES.

NO quite LA TERMINAL DE CONEXIÓN A TIERRA.

NO use UN ADAPTADOR.

NO use UN CABLE ELÉCTRICO DE EXTENSIÓN.

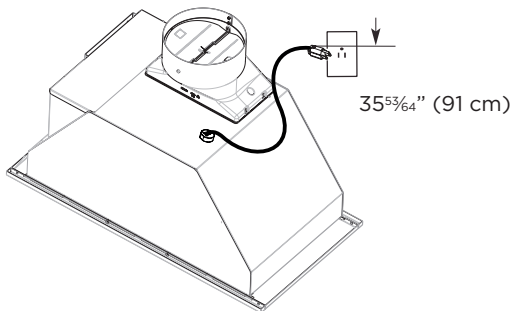
NO SEGUIR ESTAS INSTRUCCIONES PUEDE OCASIONAR LA MUERTE, INCENDIO O CHOQUE ELÉCTRICO.

IMPORTANTE: La campana para cocina deberá estar conectada a tierra de acuerdo con los códigos y ordenanzas locales, o en la ausencia de códigos locales, con el National Electrical Code (Código Nacional Eléctrico), ANSI/NFPA 70 (última edición) o el Canadian Electrical Code (Código Canadiense de Electricidad), CSA C22.1 No. 0-M91 (última edición).

Si los códigos lo permiten y se emplea un alambre de conexión a tierra separado, es recomendable que un instalador eléctrico calificado determine si la trayectoria de conexión a tierra es adecuada. Usted puede obtener una copia de las normas de los códigos arriba indicadas en:

National Fire Protection Association
1 Batterymarch Park
Quincy, MA 02169-7471
CSA International
8501 East Pleasant Valley Road
Cleveland, Ohio 44131-5575

- Se necesita un circuito eléctrico de 120 voltios, 60 hertzios, CA solamente, de 15 ó 20 amperios y protegido con fusibles.
- También se recomienda usar un fusible retardador o un cortacircuitos. Asimismo se recomienda el uso de un circuito independiente que preste servicio únicamente a esta campana para cocina.
- Esta campana para cocina viene equipada con un cable eléctrico dotado de un enchufe con tres terminales y conexión a tierra.
- Para reducir al mínimo el peligro de posibles choques eléctricos, el cable debe estar enchufado en un contacto apropiado de pared de 3 terminales, conectado a tierra de acuerdo con los códigos y ordenanzas locales. Si no hay disponible un contacto equivalente, es responsabilidad y obligación personal del cliente de tener un contacto apropiado con conexión a tierra instalado por un electricista calificado.
- El enchufe de 3 terminales con conexión a tierra debe estar ubicado dentro del armario, encima de la campana para cocina, a una distancia mínima de $35\frac{5}{64}$ " (91 cm) desde donde el cable eléctrico sale de la campana.



INSTRUCCIONES PARA LA CONEXIÓN A TIERRA

- Esta campana para cocina debe estar conectada a tierra.
- En caso de que se produzca un cortocircuito, la conexión a tierra reduce el riesgo de choque eléctrico al proporcionar un alambre de escape para la corriente eléctrica. Esta campana para cocina está equipada con un cable que incluye un alambre y un enchufe a tierra. El enchufe debe ser conectado a un contacto debidamente instalado y puesto a tierra.

ADVERTENCIA: La conexión a tierra inadecuada puede ocasionar un riesgo de choque eléctrico.

Consulte a un electricista competente si no comprende totalmente las instrucciones de puesta a tierra o si tiene dudas acerca de si la campana para cocina fue puesta a tierra correctamente. No use un cable eléctrico de extensión. Si el cable de suministro eléctrico es demasiado corto, haga que un electricista competente instale un contacto cerca de la campana para cocina.

GUARDE ESTAS INSTRUCCIONES

Instrucciones de Instalación

Prepare la ubicación

- Se recomienda que el sistema de ventilación sea instalado antes de que se instale la campana para cocina.
 - Antes de hacer los recortes, asegúrese que haya suficiente espacio libre dentro del techo o la pared para los accesorios del ducto de escape.
 - Tal vez sea más fácil hacer el corte hacia la base del armario antes de montar el armario en la pared.
- 1 Desconecte el suministro de energía.
 - 2 Decida qué método de ventilación usar: a través del techo, de la pared o sin ducto.
 - 3 Seleccione una superficie plana para ensamblar la campana para cocina. Cubra dicha superficie.

⚠ ADVERTENCIA

PELIGRO DE PESO EXCESIVO USE DOS O MÁS PERSONAS PARA MOVER E INSTALAR LA CAMPANA DE COCINA. NO SEGUIR ESTA INSTRUCCIÓN PUEDE OCASIONAR UNA LESIÓN EN LA ESPALDA U OTRO TIPO DE LESIONES.

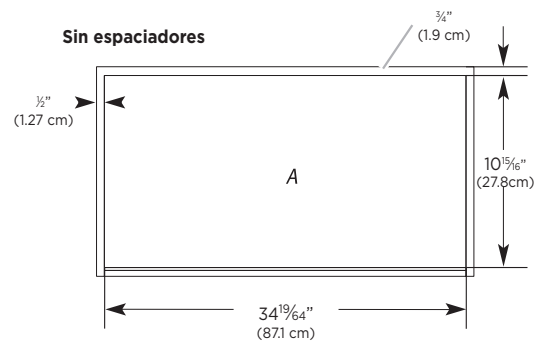
- 4 Con la ayuda de 2 o más personas, levante la campana de cocina y colóquela en la superficie cubierta.

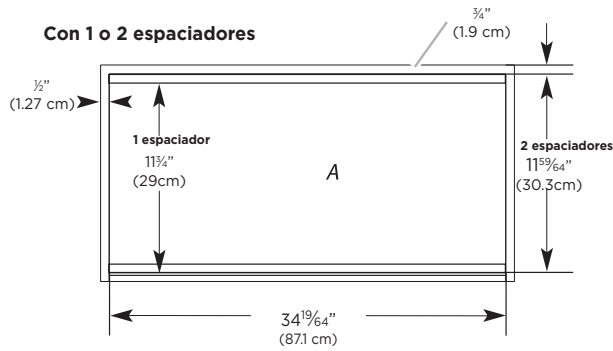
Cortes al gabinete

- 1 Use una sierra de vaivén o caladora para cortar la base del armario dentro del marco del mismo.

NOTA: Los gabinetes sin marco requieren una franja de $\frac{3}{4}$ " (1.9 cm) en la parte inferior del gabinete.

Dimensiones de corte (sin espaciadores)





A. Corte inferior de gabinete

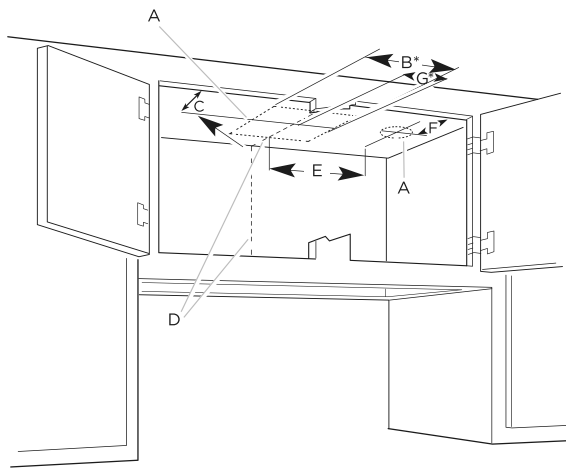
Complete la preparación del gabinete siguiendo las instrucciones para el tipo de ventilación que ha elegido. Determine los cortes para el ducto de ventilación en el gabinete, pared o techo.

Ventilación hacia el exterior a través del techo

- 1 Mida y marque las líneas como se muestra. Use una sierra para hacer una apertura a través de la cara superior del gabinete y el techo para el sistema de ventilación.

Especificaciones del corte

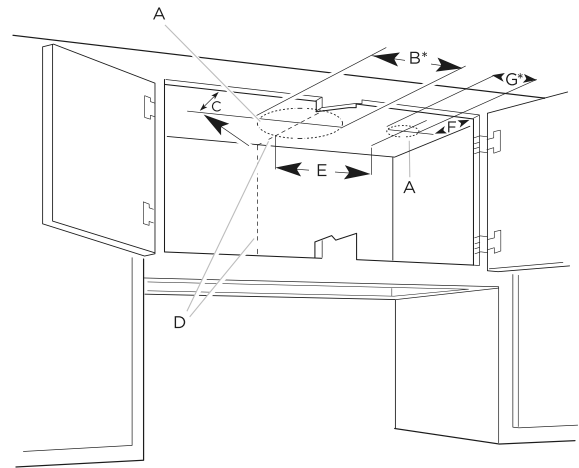
| Altura del gabinete | Forma y tamaño del orificio |
|---|--|
| 13 ³ / ₁₆ " (33.5 cm) | Se necesita una apertura rectangular de 8 ⁷ / ₆₄ " de ancho x 6 ¹ / ₄ " de profundidad (21 cm x 15.9 cm) en la parte superior del armario para tener un espacio para la pieza de transición de la compuerta. |



- A. Corte
 B. 8⁷/₆₄" (21 cm) x 6¹/₄" (15.9 cm)*
 C. 7³/₆₄" (20 cm) de la línea central al frente del gabinete
 D. Línea central del gabinete
 E. 4¹/₂" (10.6 cm)
 F. 3³/₆₄" (8.3 cm) centro al frente del gabinete
 G. Ø (4 cm)*

Altura del gabinete Forma y tamaño del orificio

15" (38.1 cm) Se necesita una abertura redonda con diámetro de 6¹/₄" (15.9 cm).

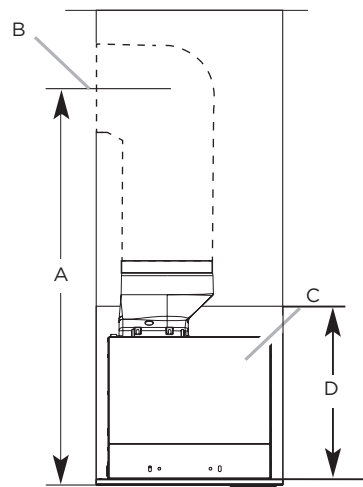


- A. Corte
 B. Ø 6¹/₄" (15.9 cm)*
 C. 7³/₆₄" (19.8 cm) de la línea central al frente del gabinete
 D. Línea central del gabinete
 E. 4¹/₂" (10.6 cm)
 F. 3³/₆₄" (8.3 cm) centro al frente del gabinete
 G. Ø (4 cm)*

- 1 Si aún no está sujeto, instale la transición de 6" (15.2 cm) a la parte superior de la campana usando 2 tornillos de 3.5 x 9.5 mm.

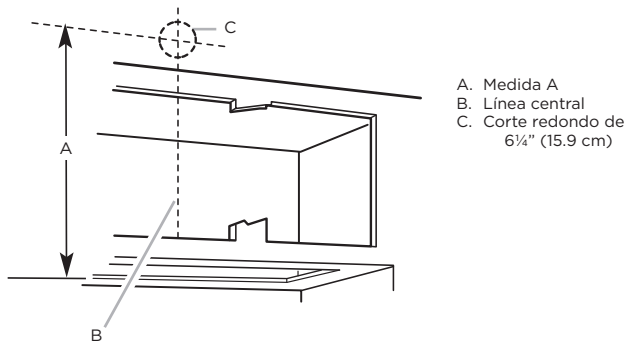
Ventilación hacia el exterior a través de la pared

- 1 Mida desde la parte de abajo del revestimiento de la campana hasta la línea central horizontal de la abertura de ventilación (A).

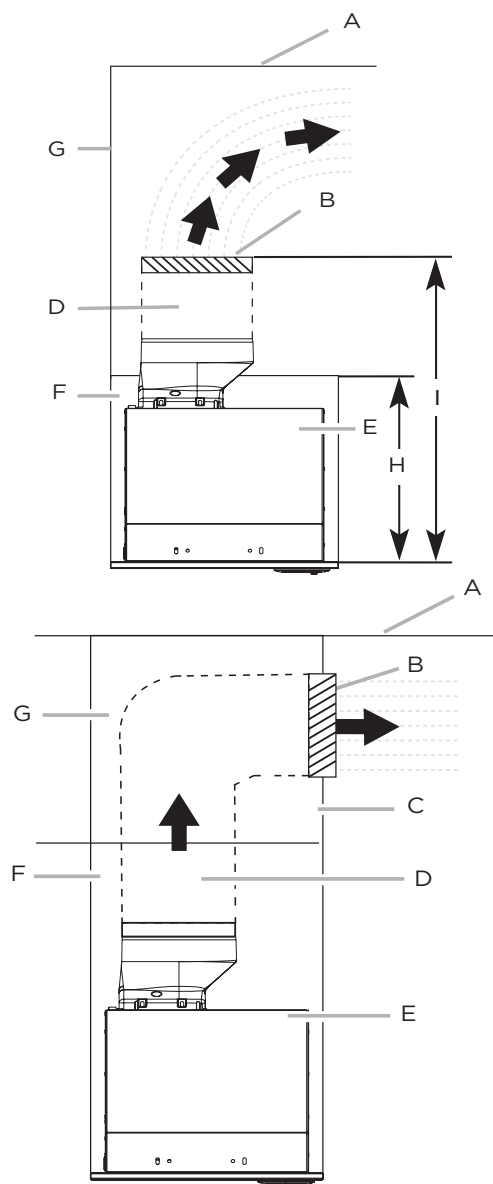


- A. Medida A
 B. Línea de centro horizontal de la abertura de ventilación
 C. Revestimiento de la campana
 D. Altura mínima del gabinete de 12" (30.5 cm)

- 2 Retire el ducto de escape del revestimiento de la campana para cocina. Transfiera la medida A a la pared posterior del gabinete. Mida desde la parte de abajo del gabinete.
- 3 Marque el recorte como se muestra. Use una sierra de vaivén o caladora para cortar una abertura redonda a través de la parte posterior del gabinete y de la pared exterior para el ducto de escape.

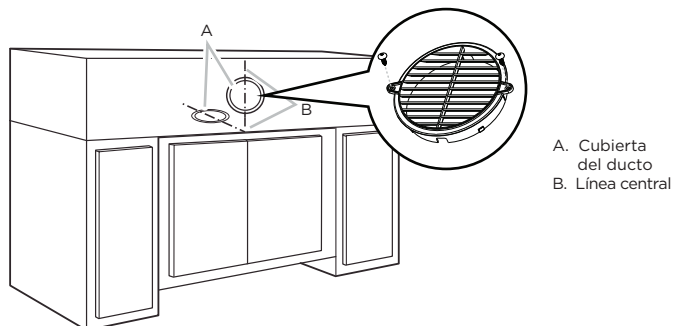


Instalación sin ductos (recirculante) a través del gabinete



- | | |
|--------------------------|--|
| D. Techo | I. Gabinete |
| E. Cubierta del ducto | J. Pared |
| F. Sofito | K. Altura mínima del gabinete: 12" (30.5 cm) |
| G. Ducto de 6" (15.2 cm) | L. Altura mínima de la cubierta del ducto: 17" (43.2 cm) |
| H. Campana | |

- 1 Mida y marque la línea central del armario al soffito que está encima.
- 2 Mida desde la base del armario hasta la línea central de donde el ducto de escape atravesará el soffito. Marque la ubicación y use una sierra de vaivén o caladora para cortar un orificio de 5 3/4" (14.6 cm) para la cubierta del ducto. Sujete la cubierta del ducto de escape con dos tornillos de 4.5 x 13 mm.



- A. Cubierta del ducto
B. Línea central

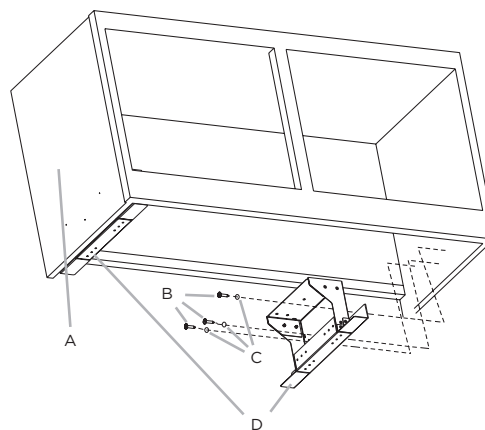
***NOTA:** Para gabinetes con altura de 12" (30.5 cm), se necesita una abertura rectangular de 6 1/4" de profundidad x 8" de ancho (14.6 cm x 20.3 cm) en la parte superior del armario para tener un espacio para pieza de transición de la compuerta.

- 3 Considere las especificaciones de las medidas de corte para hacer las aberturas del gabinete.

Complete la preparación

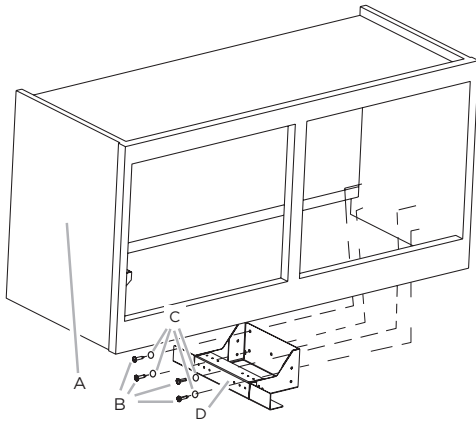
- 1 Si aún no está sujeto, instale la transición de 6" (15.2 cm) a la parte superior de la campana usando 2 tornillos de 3.5 x 9.5 mm.
- 2 Coloque el soporte de montaje lateral 1 cm de abajo hacia arriba y contra el interior de la cara frontal del armario. Oriente el soporte como se muestra en la ilustración a continuación. Taladre orificios piloto de 1/8" (3 mm) en 8 lugares, sujete un soporte con cuatro tornillos de 4.5 x 13 mm a cada lado del armario y apriete.

Orientación del soporte al gabinete de 30" (76.2 cm)

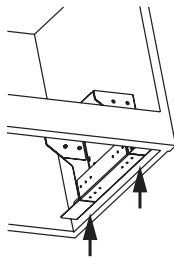


- A. Gabinete de 30" (76.2 cm)
B. 8 tornillos - 4.5 x 13 mm
C. Rondanas (opcionales)
D. 2 soportes de montaje (posición para gabinetes de 30" [76.2 cm])

Orientación del soporte al gabinete de 34,5" (87.68 cm)

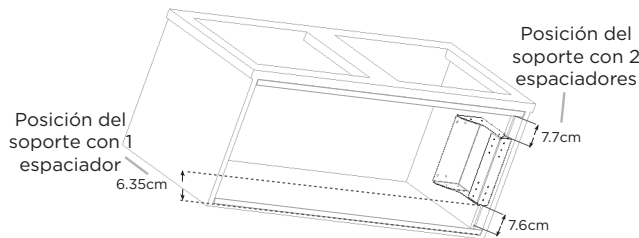
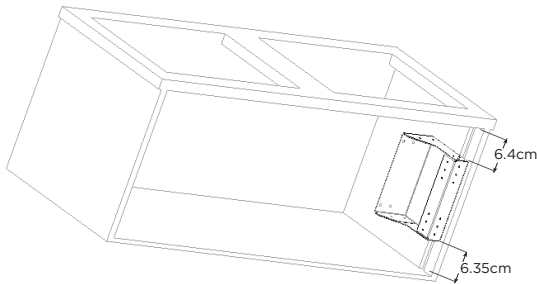


- A. Gabinete de 34.5" (87.68 cm)
- B. 8 tornillos - 4.5 x 13 mm
- C. Rondanas (opcionales)
- D. 2 soportes de montaje
(posición para gabinete de 34.5" [87.68 cm])



Mueva $\frac{1}{16}$ " (1 cm) hacia arriba el soporte desde el borde inferior de la campana.

Posición del soporte sin espaciadores



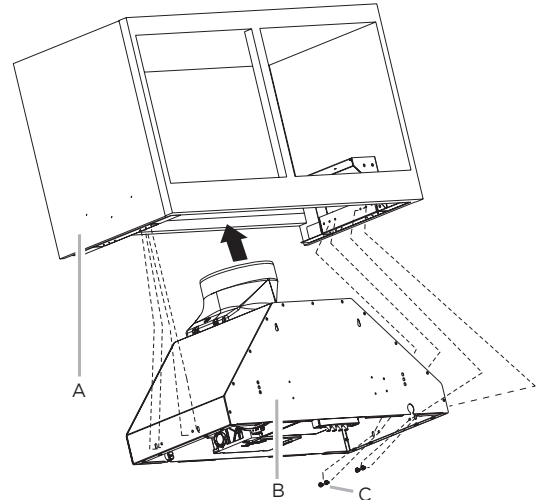
3 Instale el sistema de ventilación de acuerdo al método necesario.
Use masilla de calafateo para sellar todas las aberturas.

Instalación

⚠ PRECAUCIÓN

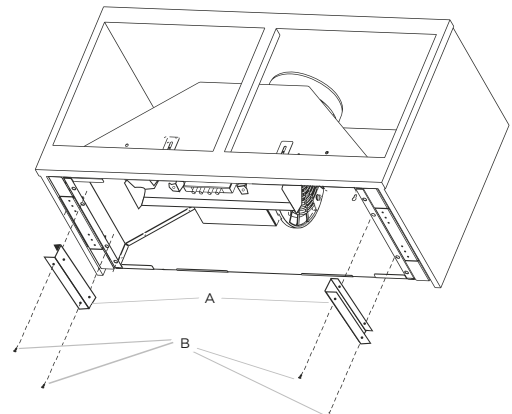
PELIGRO DE PESO EXCESIVO
USE DOS O MÁS PERSONAS PARA MOVER E INSTALAR LA CAMPANA DE COCINA.
NO SEGUIR ESTA INSTRUCCIÓN PUEDE OCASIONAR UNA LESIÓN EN LA ESPALDA U OTRO TIPO DE LESIONES.

- 1** Quite la pieza de poliuretano que viene dentro de la campana
- 2** Centre la campana al gabinete. Mantenga alineados la cara inferior del gabinete con el borde inferior del gabinete. Inserte cuatro tornillos de 4.2 x 19 mm en las aberturas redondas de la placa de montaje y apriete todos los tornillos de montaje (8).



- A. Gabinete
- B. Ensamble de la campana
- C. 8 tornillos - 4.2 x 19 mm

- 3** Quite el proyectivo de plástico y remueva los filtros metálicos de grasa del panel frontal.
- 4** Saque los cables del conector de las lámparas
- 5** Fije los soportes para el panel inferior al interior de la campana como se muestra en la imagen, utilizando cuatro tornillos de 3,5 x 6,5 mm.

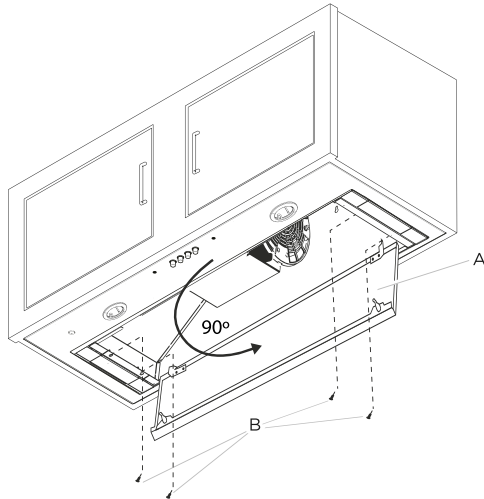


- A. Soportes para panel inferior (2)
- B. Screws - 3,5 x 6,5 mm (4)

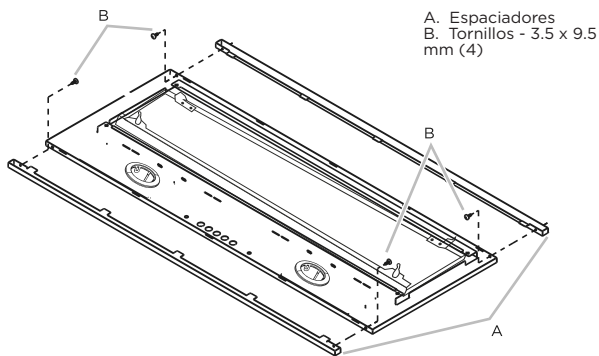
- 6** Fije el panel inferior a la campana, con el plato abierto, coloque cuatro tornillos de 3,5 x 6,5 mm asegurando el panel a los soportes previamente colocados como se muestra en el diagrama.

NOTA: Si la profundidad del gabinete es superior a 12", es recomendable que dos espaciadores metálicos de ½" sean instalados.

Instálelos en las partes frontal y trasera del panel con 4 tornillos de 3.5 x 9.5 como lo muestra el dibujo.

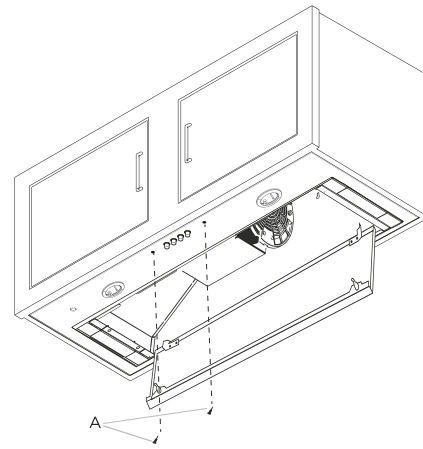


A. Plato perimetral
B. Tornillos - 3.5 x 6.5 mm (4)



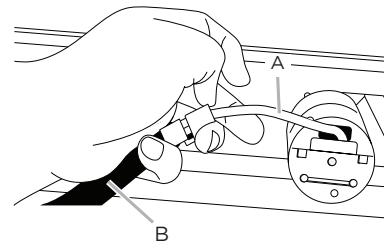
A. Espaciadores
B. Tornillos - 3.5 x 9.5 mm (4)

- 7** Instale los dos tornillos de 4,2x15 mm situados en los laterales de los controles de la campana.



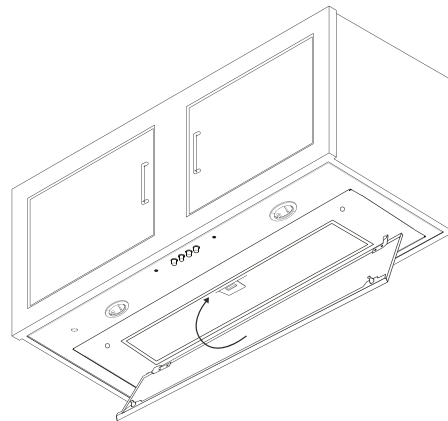
A. Screws - 4.2 x 15 mm (2)

- 8** Conecte las lámparas al conector presente en el interior de la campana como se muestra en el dibujo.



A. Lamp connector
B. Hood connector

- 9** Coloque los filtros en su lugar y regrese el plato a su posición original.



Conecte el sistema de ventilación

Instalaciones con ducto de salida de aire

- 1 Conecte el ducto del sistema de ventilación a la abertura de la campana de cocina. Selle la conexión con las abrazaderas.

Instalaciones sin ducto de escape (con recirculante)

- 1 Conecte el sistema de ventilación a la abertura de la campana de cocina; selle la conexión con las abrazaderas.
- 2 Instale los filtros de carbón. Para ordenar kits de reemplazo, vea la sección "Accesorios".

Complete la instalación

- 1 Vuelva a colocar los filtros para grasa. Consulte la sección de "Mantenimiento".

⚠ ADVERTENCIA

PELIGRO DE CHOQUE ELÉCTRICO

⚠ ADVERTENCIA

CONECTE A UN CONTACTO DE PARED DE CONEXIÓN A TIERRA DE 3 TERMINALES.

NO quite la terminal de conexión a tierra.

NO use un adaptador.

NO use un cable eléctrico de extensión.

NO seguir estas instrucciones puede ocasionar la muerte, incendio o choque eléctrico.

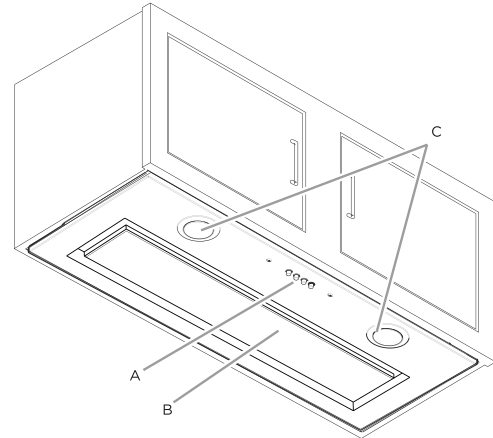
2. Enchufe el cable eléctrico de 3 terminales en un contacto de 3 terminales con conexión a tierra, dentro del armario, por encima de la campana para cocina.
- 3 Verifique el funcionamiento del ventilador de la campana de cocina y la luz. Consulte la sección "Descripción de la campana". Si la campana de cocina no funciona, revise si se ha disparado un cortacircuitos o si se ha quemado un fusible doméstico. Desconecte el suministro eléctrico y revise las conexiones de cableado.

NOTA: Para obtener un uso más eficaz de su nueva campana de cocina, lea la sección "Descripción de la campana".

Descripción de la campana

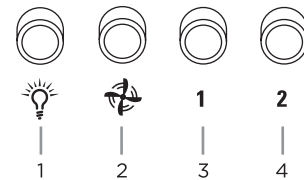
La campana para cocina se ha diseñado para remover humo, vapores provenientes de la cocción y olores del área de la superficie de cocción. Para obtener mejores resultados, encienda la campana antes de cocinar y permita que funcione por varios minutos después de haber cocinado, para que quite todo el humo y los olores de la cocina.

Los controles de la campana están ubicados en la parte frontal del revestimiento de la campana para cocina.



- A. Botones de luz y motor
- B. Plato perimetral
- C. Lámparas LED

Controles



1. Botón de encendido/apagado de la luz
2. Botón de encendido/apagado y velocidad mínima de motor
3. Botón de velocidad media de motor
4. Botón de velocidad máxima de motor

Funcionamiento de la luz

El botón de Encendido/Apagado controla todas las luces. Presione una vez para Encendido y nuevamente para Apagado.

Funcionamiento del motor

Los botones de VELOCIDAD DEL MOTOR encienden el motor y controlan la velocidad y el nivel de sonido de este para un funcionamiento silencioso. La velocidad se puede cambiar en cualquier momento mientras el ventilador está funcionando, presionando el botón de la velocidad deseada del motor.

Presione el botón de APAGADO por segunda vez para apagar el motor.

Mantenimiento

Limpieza

No aplique limpiadores directamente al control durante la limpieza de la campana. La campana debe ser limpiada con frecuencia tanto externamente como internamente (con la misma frecuencia con la que se realiza el mantenimiento de los filtros de grasa). Para la limpieza, utilice un paño impregnado de detergente líquido neutro. No utilice productos que contengan abrasivos. ¡NO UTILICE ALCOHOL!

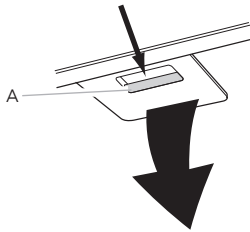
⚠ ¡ATENCIÓN!

De no observarse las instrucciones dadas para limpiar el aparato y sustituir el filtro, puede producirse un incendio. El fabricante recomienda leerlas y respetarlas atentamente. El fabricante no se hace responsable por los daños al motor o los incendios provocados en el aparato debido a intervenciones de mantenimiento incorrectas o al incumplimiento de las normas de seguridad proporcionadas.

Reemplazo de los filtros de grasa metálicos

Los filtros deberán lavarse con frecuencia. Coloque los filtros metálicos en la lavavajillas o con una solución caliente de detergente para limpiarlos. Deje que el filtro se seque por completo antes de volver a colocarlo. Apague el ventilador y las luces.

- 1 Remueva cada filtro jalando la manija y después bajando el filtro.



- 2 Lave los filtros metálicos cuando sea necesario en lavaplatos o solución jabonosa caliente.
- 3 Vuelva a instalar el filtro asegurándose de que las manijas de liberación con resorte estén mirando hacia el frente. Inserte el filtro de metal para grasa dentro de la guía superior.
- 4 Jale hacia abajo la manija de liberación con resorte.
- 5 Empuje el filtro de metal hacia arriba y suelte la manija para que se trabe en su lugar.
- 6 Repita los pasos 1 a 5 para el otro filtro.

Reemplazo de las lámparas LED

Las luces LED son reemplazables sólo por un técnico de servicio. Vea la sección "A quién contactar" para la información de contacto del servicio.

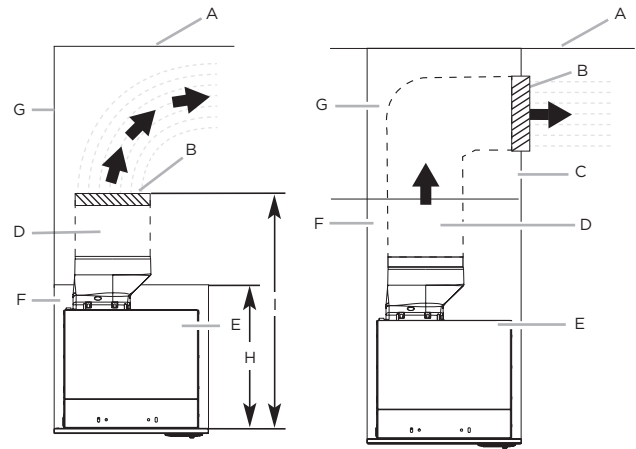


| Lámpara LED empotrable | |
|------------------------|---------------|
| Potencia asignada | 2 x 2.1 W |
| Potencia máxima | 2.5 W |
| Tensión asignada | 3 V- |
| Tipo de socket | n/a |
| Dimensiones | Ø 67mm x 20mm |

Accesorios

Kit Recirculante

Si no es posible ventilar los humos y vapores de cocina al exterior, la campana puede ser usada en su versión filtrante (recirculante), usando filtros de carbón. El kit recirculante está disponible con el distribuidor de partes autorizado.

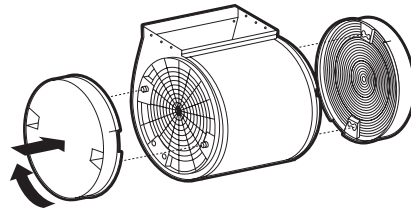


A. Techo
B. Cubierta del ducto
C. Sofito
D. Ducto de 6" (15.2 cm)
E. Campana

F. Gabinete
G. Pared
H. Altura mínima del gabinete: 12" (30.5 cm)
I. Altura mínima de la cubierta del ducto: 17" (43.2 cm)

NOTA: Los gabinetes con una altura de 12" (30.5 cm) sin sofito permiten que la cubierta de ducto y el ducto de 6" sean visibles.

- 1 Cubra la rejilla que protege el motor del motor con el filtro de carbón, de manera que las ranuras del filtro coincidan con las espigas en los lados de la rejilla del motor.
- 2 Gire el filtro de carbón hacia la derecha para asegurarlo.
 - Los filtros de carbón ya no pueden ser limpiados. Deben ser reemplazados cada 4-6 meses (dependiendo de su uso).
 - Remueva las ataduras de cables que se encuentran en el filtro de carbón para poder moverlo hacia la derecha.



Kit de extensión de cubierta - no incluido

- Para proveer de protección al gabinete, también se encuentra disponible una extensión de cubierta de 36" ancho x 17" ó 20" de profundidad.

Vea las instrucciones de instalación de la extensión de cubierta para más información.

PARA OBTENER SERVICIO DENTRO DE GARANTÍA

El propietario debe presentar su recibo original de la compra. Guarde por favor una copia de su recibo de compra como prueba, para recibir el servicio dentro del periodo de garantía.

PARTES Y GARANTÍA DE SERVICIO

Por el periodo de dos (2) años desde la fecha original de la compra, Elica proveerá, gratuitamente, partes no-consumibles o componentes que hayan fallado debido a defectos de fabricación. Durante estos dos (2) años de garantía limitada, Elica también proveerá gratuitamente, todo el servicio en casa y mano de obra necesaria para reemplazar cualquier parte defectuosa.

QUÉ NO ESTÁ CUBIERTO

- Daños o fallas del producto causados por accidente o actos de Dios, tales como inundaciones incendios o terremotos.
- Daños o fallas causadas por alteración del producto o por el uso de partes no-originales.
- Daños o fallas del producto causados durante la entrega, manejo o instalación.
- Daños o fallas del producto causados por abuso del usuario.
- Daños o fallas del producto causados por reemplazo de fusibles dañados o reseteo de interruptor de circuito.
- Daño o fallas causados por el uso del producto en un ambiente comercial (no doméstico).
- Viajes de servicio para proporcionar orientación de uso o instalación.
- Bombillas, filtros de carbón o metal y cualquier otra parte consumible.
- Desgaste normal.
- Desgaste terminal debido a abusos del usuario, mantenimiento inadecuado, uso de productos / toallas de limpieza corrosivos o abrasivos y por uso de limpiadores para hornos.

QUIÉN ESTÁ CUBIERTO

Esta garantía se extiende al comprador original de productos adquiridos para uso residencial en Norte América (incluyendo Estados Unidos, Guam, Puerto Rico, Islas Vírgenes de EU y Canadá).

Esta garantía no es transferible y aplica solamente al comprador original y no se extiende a propietarios subsecuentes del producto. Esta garantía se expresa en lugar de otras garantías, expresadas o implicadas, incluyendo, pero no limitada a ninguna garantía implicada de comercialización o adaptada para propósitos particulares y cualquier otra obligación por parte de Elica North America, considerando, sin embargo, que si la negación de garantías implícitas es inefectiva bajo la ley aplicable, la duración de cualquier garantía implícita será limitada a dos (2) años desde la fecha original de compra o por el periodo necesario como sea requerido por la ley aplicable.

Esta garantía no cubre cualquier daño especial, incidental y/o consecuente, ni pérdidas de ganancias, sufridas por el comprador original, sus clientes y/o usuarios del producto.

A QUIÉN CONTACTAR

Para obtener Servicio bajo Garantía o para cualquier pregunta relacionada a Servicio:

Favor de llamar a:

- Servicio Elica North America, llame a 1-888 732 8018
- Para el Este de Canadá, llame a Servicios AGI a 1-888 651 2534. Pregunte por el *Departamento de Servicio al Cliente*
- ✉ elica@servicepower.com
- Artexa Mexico S.A. de C.V.
Cañon Grande #7720
Col. La Estanzuela, Monterrey, N.L., 64984, Mexico
- ☎ 81 8625 5000 (México)
- 📞 55 3955 8770
- ✉ servicio@artexa.com

