



# Cinergy Series

Product Manual



MA MONITOR AUDIO

Introduction	1	In Wall Installation	9
Included Accessories	2	On Wall Installation	12
Positioning and Planning	3	Tips	13
Amplifier Power Selection	3	Cinergy 300	13
Front Speaker Height	4	In Wall Installation	13
Mid - Tweeter Array Orientation	4	Free Standing	14
Mid - Tweeter Array Location	5	Cinergy Sub15	16
Acoustic Optimisation	6	Sound Wall	17
Isolation	6	Installation	17
Port Bungs & EQ Profiles	6	Appendix	18
Subwoofers	8	The Cinema Designer	18
Installation	9	Warranty	18
Cinergy 100 & Cinergy 200	9	Specifications	19

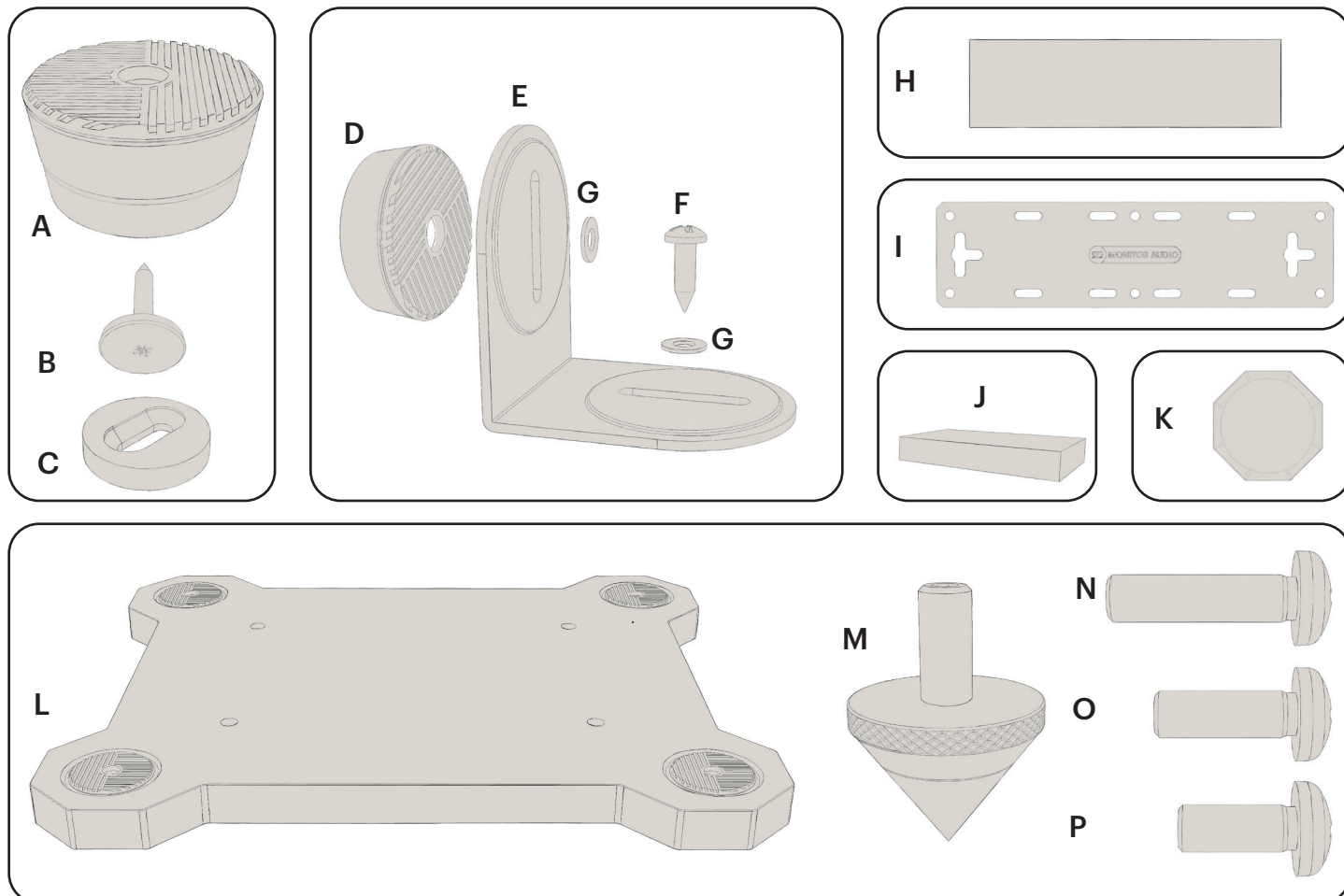
## Introduction

We set out to create a new solution for premium home cinema, with unparalleled installation versatility and uncompromising sound quality, for the ultimate cinematic experience. With our most advanced audio technologies, superior isolation methods and an installation focused design, Cinergy sets a whole new standard for home cinema that's unheard of, until now.

Cinergy combines a legacy of audio and design passion, with integrity and care, to bring cinema perfection home.

For additional assistance, videos and any other information, please refer to the Cinergy page on the Monitor Audio website.

## Included Accessories



Label	Description	Cinergy 100 Qty	Cinergy 200 Qty	Cinergy 300 Qty	Cinergy Sub15 Qty
A	Isolator foot assembly	2	2	4	4
B	Large Head Screw	2	2	0	0
C	Isolator locator	2	2	4	4
D	Bracket isolator assembly	2	2	2	2
E	L shaped bracket	2	2	2	2
F	No 12 (5.5 mm) x 19 mm Screw	2	2	2	2
G	Washer	4	4	4	4
H	Isolation pads	2	4	4	4
I	On Wall/ Joining Bracket	2 (Fitted)	4 (Fitted)	1	0
J	Port Bung	2 (Fitted)	1 (Fitted)	1	0
K	Grille	2	3	3	0
L	Plinth	0	0	1	0
M	Spiked foot assembly	0	0	4	0
N	Plinth to cabinet screw (M10 x 40 mm)	0	0	4	0
O	Isolation foot to plinth screw (M10 x 30 mm)	0	0	4	0
P	Isolation foot to cabinet screw (M10 x 25 mm)	0	0	4	4



## Positioning and Planning

Prior to installing the Cinergy system, the site/ room should be surveyed, considered and designed. Planning the loudspeaker locations at this early stage will allow for an easier installation, along with a more accurate and engaging listening experience.

Due to the high performance level this system can achieve, room construction, materials used and acoustic treatments may need to be considered. This is usually done during the construction phase of the cinema room although it is possible to use retrofit sound proofing.

The acoustic properties of a room need to be taken into consideration. Hard flat surfaces cause unwanted reflections and can make the room sound too “lively” and create an echo effect within the room. The opposite can happen if it is over damped. Meeting the balance between being under and over damped is best achieved by placing the room deadening materials in calculated places using room measuring equipment.

### Amplifier Power Selection

In order to meet the SPL requirements there is a calculation that has to be done to determine the right amplifier output power Vs Main Listening Position (MLP) distance Vs SPL Level.

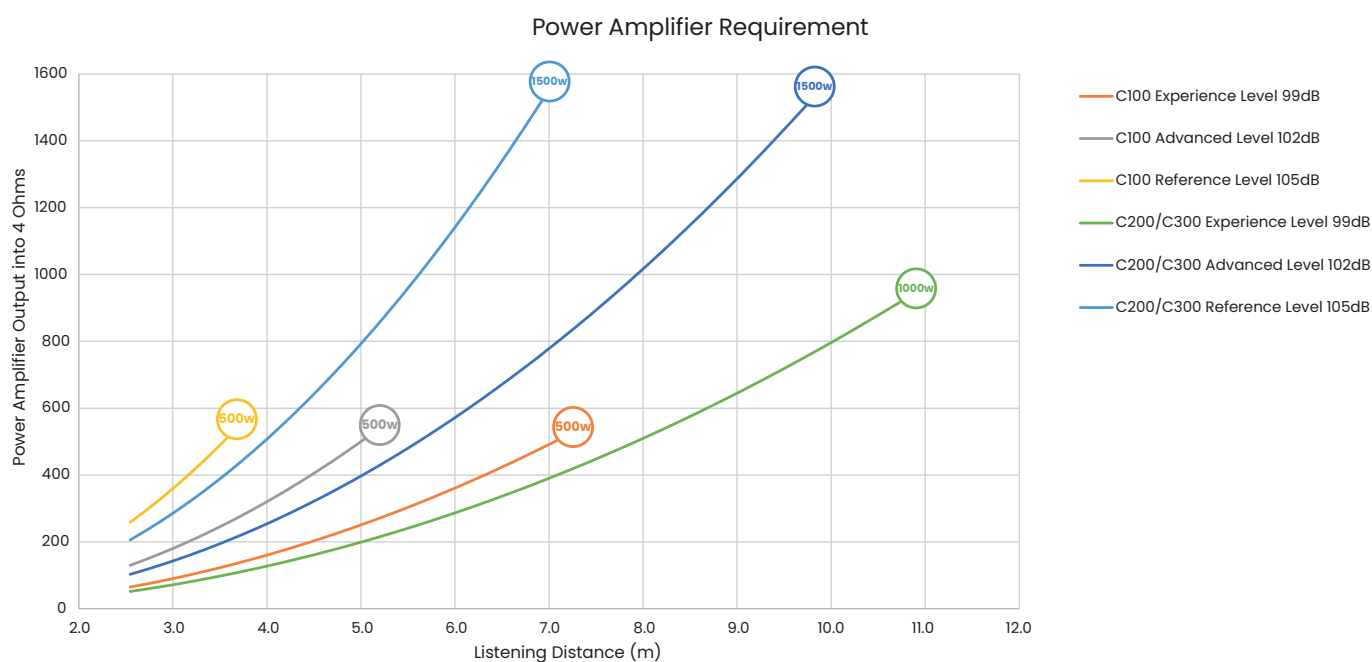
There are 3 main SPL's to meet:

**Reference Level - 105 dB peaks:** THX's ultimate sound reference level. It is the level that directors intend their soundtracks to deliver at full dynamic range for the dialogue, effects, the score, etc. Everything from the quietest whisper to the biggest explosion should be experienced at these levels for the ultimate in movie experience.

**Advanced Level - 102 dB peaks:** Still very close to reference levels, this performance level gives you almost the complete dynamic range and yet still delivers an immersive experience that will blow you away.

**Experience Level - 99dB peaks:** Whilst not the ultimate reference level, this elevated level of performance shouldn't be sniffed at and will be plenty loud enough to give you a fully immersive experience.

Our acoustic engineers have developed the graph below that shows the recommended amplifier power output in order to achieve the desired SPL Levels for each speaker Vs the MLP distance from the screen:

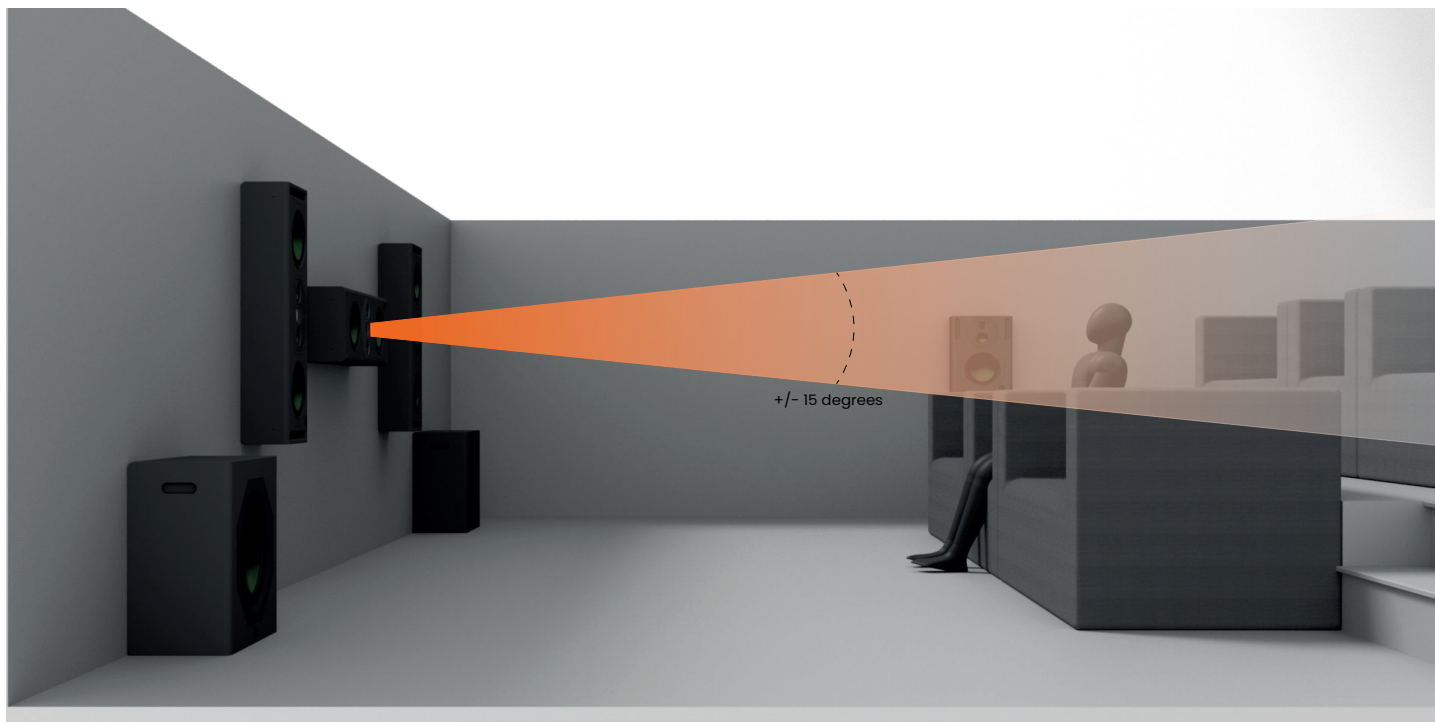


**NOTE:** For THX Ultra Reference levels to be met, 2 Cinergy Sub15's and an IA750-2 (as a minimum) must be used with our EQ profiles applied. Please note, this is based on THX's room size, please refer to the table on page 8 for the number of subs needed for your room size and main listening position.

**IMPORTANT:** The correct EQ preset MUST be selected on the amplifier based on the number of Sub15's and amplifiers.

## Front Speaker Height

The tweeter height for the front speakers should be no more than +/-15 degrees higher or lower than ear height at the MLP. This applies to all three front speakers and will give the best dispersion for the MLP and also for additional rows of seating.



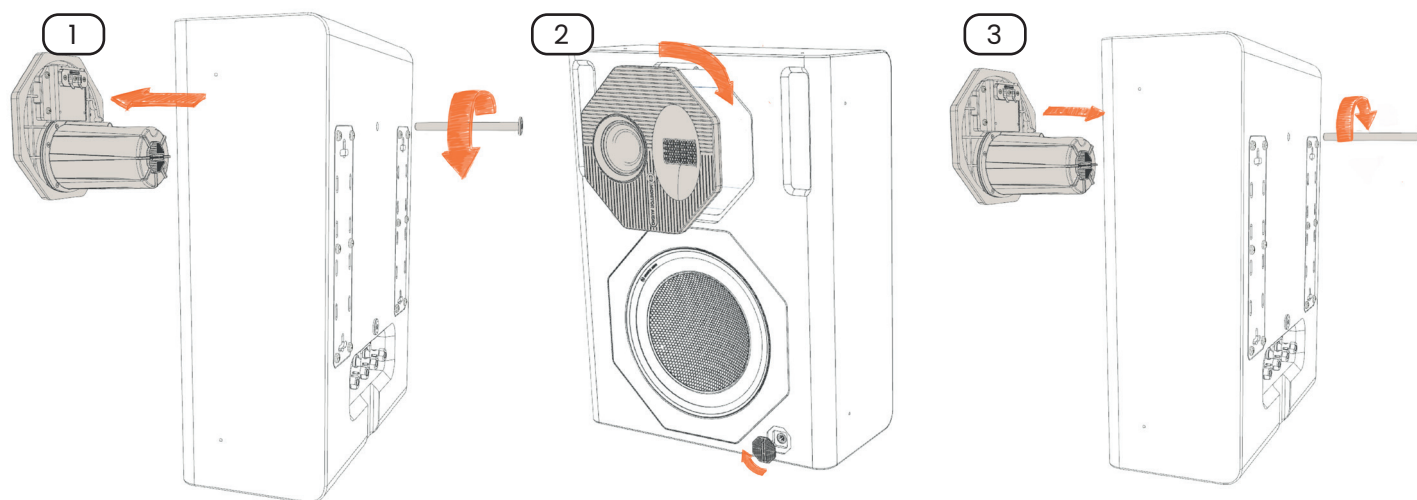
**⚠ NOTE:** If placing the centre channel horizontally, the mid - tweeter array must be rotated.

## Mid - Tweeter Array Orientation

In all of the Cinergy loudspeakers, the mid - tweeter array can be rotated through 90 degrees for mounting the loudspeakers horizontally.

This is achieved by loosening the bolt directly behind the mid - tweeter array and rotating it 90 degrees. Tighten the bolt back up.

**⚠ NOTE:** This must be carried out prior to installation.

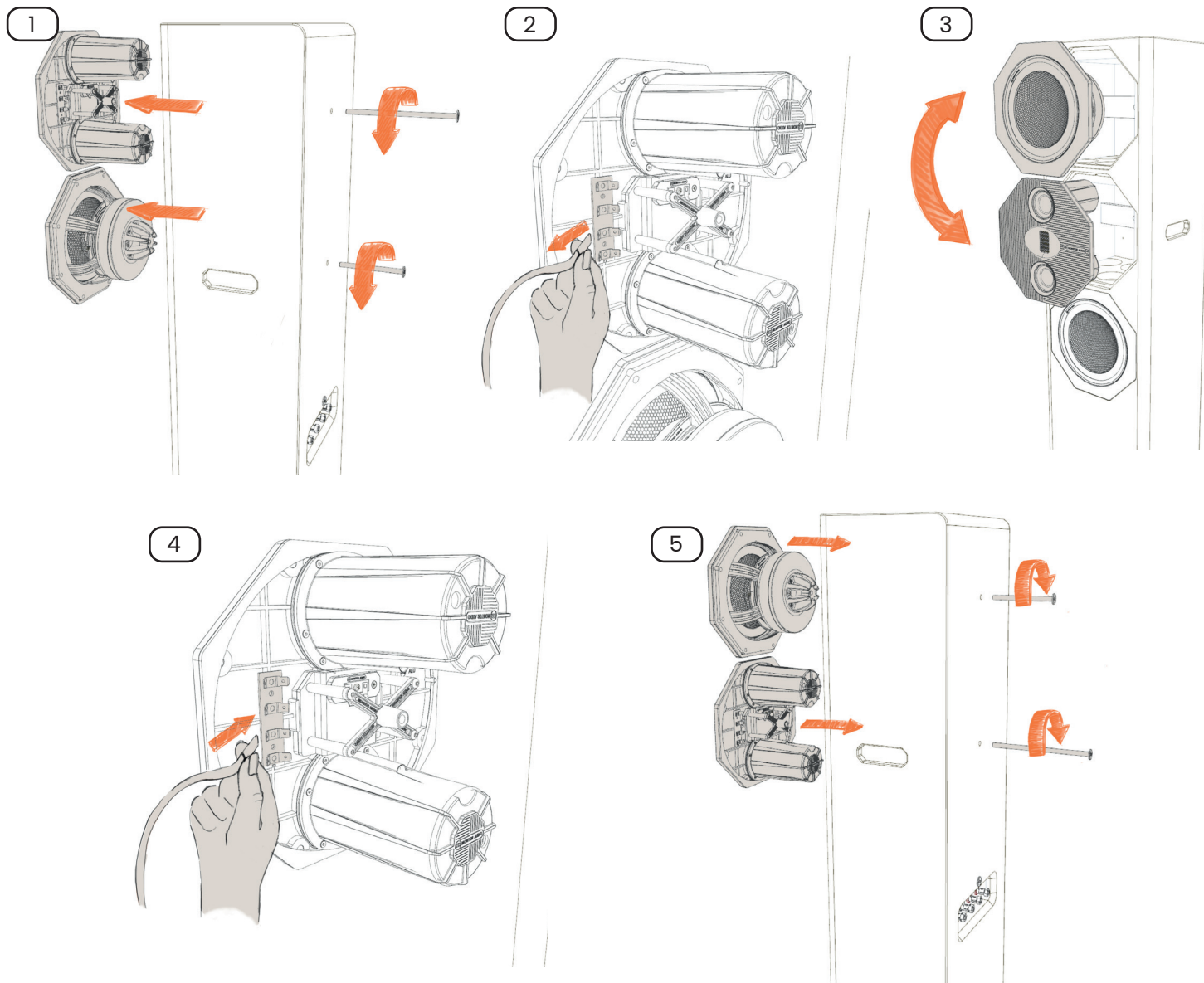


## Mid - Tweeter Array Location

### CInergy 300 only

If the Installation of the loudspeakers means that the mid - tweeter array is going to be too high or low to meet the optimum height to the MLP, the mid - tweeter array can be repositioned. To do this you will need to undo the bolts directly behind the mid - tweeter array and the one directly behind the bass unit you are swapping positions with. Disconnect the speaker cables from the units and swap them over into the new locations.

**⚠ NOTE:** This must be carried out prior to installation.



# Acoustic Optimisation

## Isolation

To reduce vibration in connecting structures, Cinergy includes isolators which have been designed specifically with the products and their use case scenarios in mind.

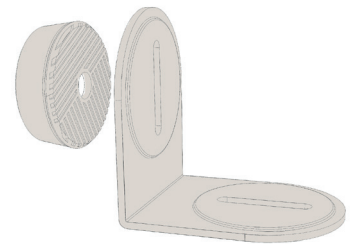
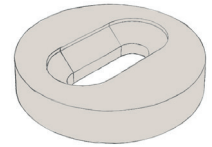
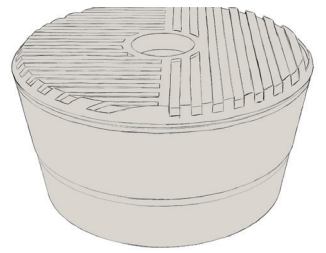
The isolation feet are made up of 3 layers sandwiched together. The top and bottom layer are much softer and compressible compared to the middle layer which is harder.

The feet come ready assembled and adhered together out of the box. The chamfer inside is designed to fit an M10 bolt (for use on Cinergy 300 & Cinergy Sub15) or a self-tapping screw supplied in the box (for use on Cinergy 100 & Cinergy 200). The bottom layer has a large circular cutout for locating over the locator bung for uses in stud work or on the floor.

The locator bung is made of hard silicone and screws into a nogging or the floor and enables the cabinet to be secured at the base without being screwed into the connecting structure, further minimising vibration. Please refer to the Installation section of this document for further instruction.

Each speaker comes with bracket isolator assemblies which includes L-shaped brackets for installing cabinets in a wall and bracket isolators which are made up of the top 2 layers of the isolation feet. The bracket assembly comes with rubber washers which help isolate the screws from the metal bracket, reducing vibration into the connecting structure. This assembly is used in stud work alongside the isolation feet on the bottom of the cabinet to secure the speaker in place.

Isolation pads are also included with all models which can be placed where the installer wishes. These can either go on the back of the cabinet if it's on a wall or on the sides of the cabinet between studs. Isolation pads are also useful for a Sound Wall. For details on Sound Wall, please see page 17.



## Port Bungs & EQ Profiles

Acoustic optimisation is provided for different use cases through use of port bungs and EQ profiles available for the Monitor Audio range of Custom Installation Amplifiers. These can be downloaded from the product page on the website.

### Free standing (Cinergy 300 only)

The speaker is positioned a short distance away from the walls.

### In Wall, Solid Baffle (all models)

The speaker is installed flush with the wall and the surrounding baffle is of a hard material E.G plasterboard. This causes a substantial bass boost

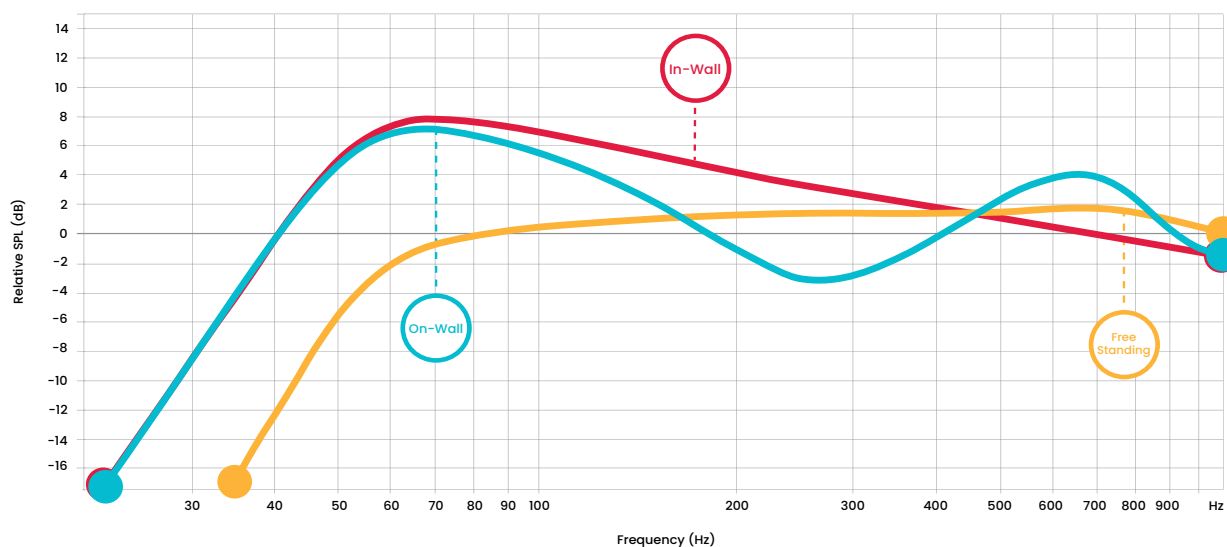
### In Wall, Transparent Baffle (all models)

The speaker is installed into a structure, a short distance away from the walls and an acoustically transparent material is stretched over the structure. This scenario is acoustically similar to free standing.

### On Wall (all models)

The speaker is installed onto or flush against a solid wall. In addition to a bass boost, a reflection is formed between the wall and the front of the speaker, causing a peak and a dip in the frequency response. The same will apply if a Cinergy 300 is positioned against the wall.

This graph represents the acoustic effects of the different positions, which are compensated for with the port bungs and EQ profiles. I.E not the result of using the port bungs and EQ profiles



	Free Standing		In Wall (Solid Baffle)		In Wall (Transparent Baffle)		On Wall	
	Port Bung	EQ Profile	Port Bung	EQ Profile	Port Bung	EQ Profile	Port Bung	EQ Profile
Cinergy 100	N/A	N/A	Yes	C100 IW Solid Baffle	No	C100 IW Transparent Baffle	Yes	C100 On Wall
Cinergy 200	N/A	N/A	Yes	C200 IW Solid Baffle	No	C200 IW Transparent Baffle	Yes	C200 On Wall
Cinergy 300 (Mid Pod Top)	No	C300 Free Standing	Yes	C300 IW Solid Baffle	No	C300 IW Transparent Baffle	N/A	N/A
Cinergy 300 (Mid Pod Middle)*	No	C300 Free Standing	Yes	C300 MPM IW Solid Baffle	No	C300 Transparent Baffle	N/A	N/A

\*The Cinergy 300 is voiced for Mid Pod Top. When the mid pod is positioned in the middle, the mid-ranges interact differently with the bass drivers and, although not completely necessary, an optimised EQ profile is provided to give the absolute best sound possible.

The various EQ profiles are available for download on the specific Custom Installation Amplifier page on the website. There is an appendix for other brand amps at rear of manual.

## Subwoofers

The Cinergy Sub15 requires an EQ profile to perform correctly as it is in a sealed box. It has been tuned, tested and THX certified to perform optimally with the Monitor Audio IA750-2 amplifier and there are different EQ profiles for different use cases and the number of subwoofers in the system.



**NOTE:** For the Cinergy Sub15 to meet certified THX standards, the IA750-2 must be used.

Cinergy Sub 15 has been designed to be a high output, compact 15" subwoofer for easy placement within the room. The intention is that multiple subwoofers will be installed, and in many cases, they will be installed in locations to control room modes and take full advantage of the ability to position the subwoofers anywhere within the room.

The chart below suggests the number of subwoofers that we recommend for each room size. If your room size is close to a size where our recommendation changes then if possible, it's always best to jump up to more subwoofers. If possible running subwoofers to their limits should be avoided as this generates more distortion, installing more subwoofers can dramatically increase the dynamic ability of the system.

This chart shows the minimum number of subwoofers we recommend based on listening distance. It is assumed within this that the room volume or overall size is appropriate for the listening distance. If for example the room is very large but only a smaller section is used for the cinema then more subwoofers will be required as they are driving the entire room air volume, not just the cinema area.

As our subwoofer is THX ultra certified a single subwoofer can be used to drive a room of up to 85m<sup>3</sup> with a maximum listening distance of 3.6m. Our suggestion within this though is to follow the chart and use at least two subwoofers if reference levels are required and the highest performance levels are demanded.

In situations where more subwoofers can be used a significant improvement can be made by placing them in an arrangement that cancels room modes out. The most common arrangement used is to place one subwoofer half way along each wall of the room, this requires four subwoofers. The outcome is a much flatter low frequency response across all seating positions but this comes at the expensive of reducing the output of the subwoofers by around 6dB or halving the number. This reduction is quite complex as areas that had no bass due to room modes will not have as much bass as the MLP but its likely the MLP is 6dB quieter depending on where the room modes are in relation to the MLP.

Various EQ profiles are available for Cinergy Sub15 and its partnering amplifier. These can be downloaded from the specific page on the Monitor Audio website. There is an appendix for other, 3rd party amplifiers, at the rear of this manual.

MLP Distance (m)	Number of Cinergy Sub15's for a given MLP Distance from Screen		
	Experience (109dB)	Advanced (112dB)	Reference (115dB)
2.0	1	1	2
2.5	1	1	2
3.0	1	2	2
3.5	1	2	4
4.0	2	2	4
4.5	2	4	8
5.0	2	4	8
5.5	2	4	8
6.0	4	4	8
6.5	4	8	16
7.0	4	8	16



# Installation

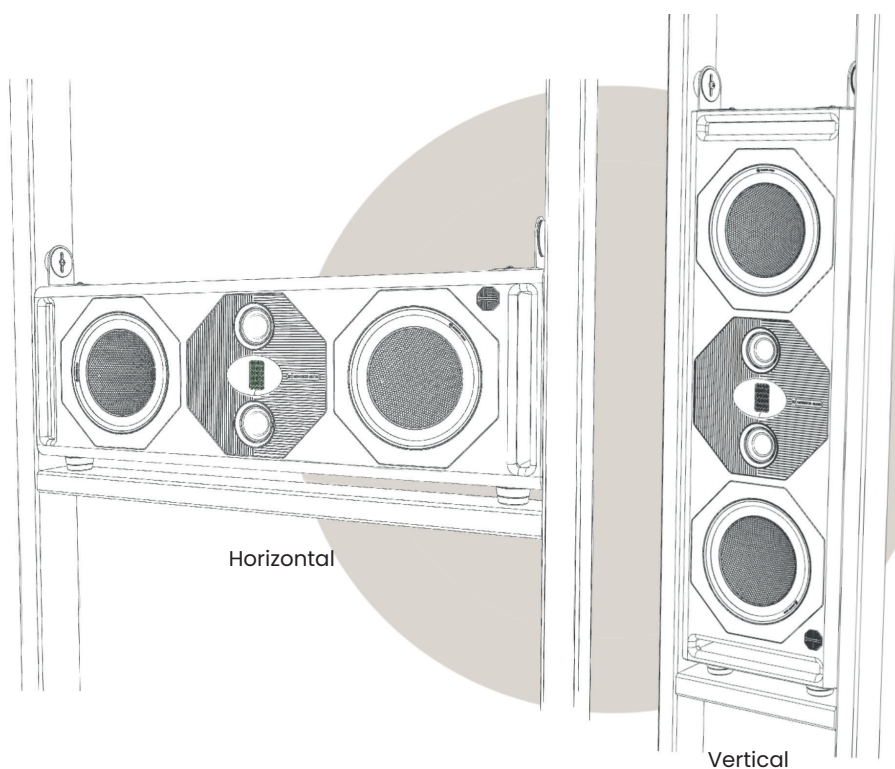
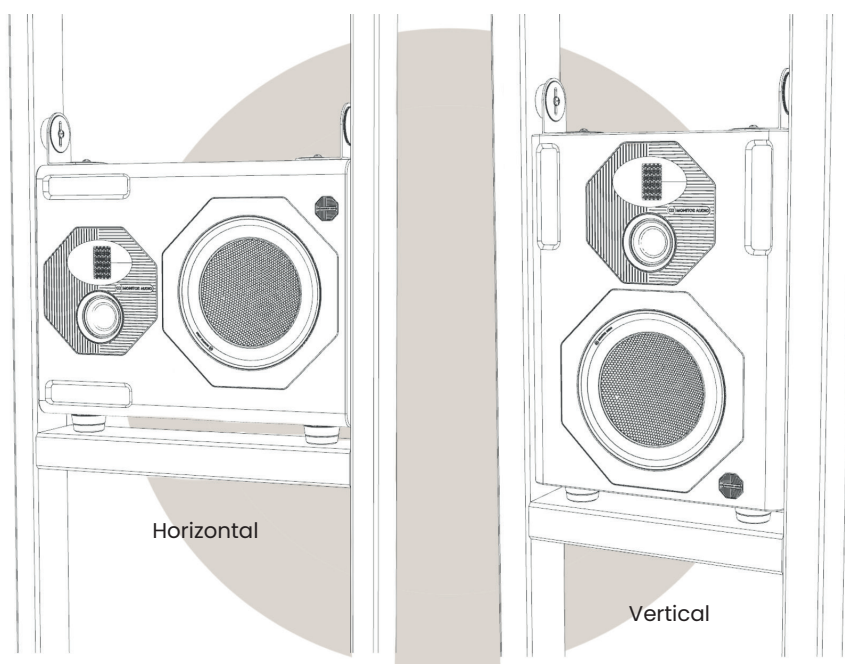
## Cinergy 100 & Cinergy 200

The Cinergy 100 & Cinergy 200 can be mounted either directly on to a wall in a retro fit scenario or fitted into a wall mounted between studs. They can also be mounted vertically within standard 400 mm centre studs or horizontally, although custom stud work would need to be constructed to allow this - see product dimensions for the sizes it needs to be. The principles for installing horizontally and vertically are the same.

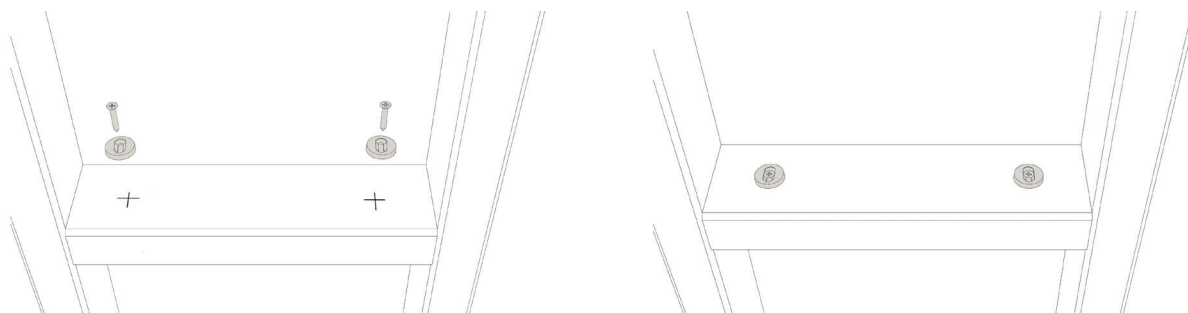
### In Wall Installation

**!** **IMPORTANT** - When installing in the framework, the speaker must sit on the noggings (horizontal braces between studs). These should be positioned in order for the tweeter to align with ear height at the MLP.

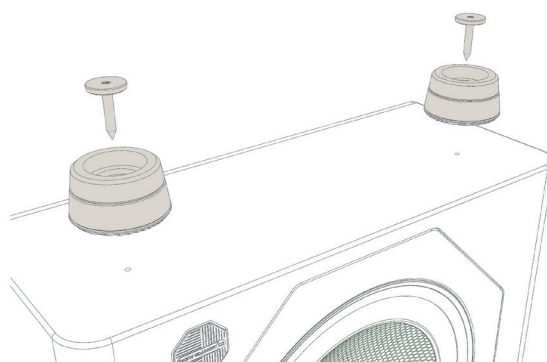
**!** **IMPORTANT** - If fitted horizontally, the mid - tweeter array must be rotated prior to installation. This is done by releasing the bolt on the back directly behind the mid - tweeter array and then rotating it 90 degrees. There are locators so that it can only be fitted in the correct orientations. The badge can also be rotated to the correct orientation.



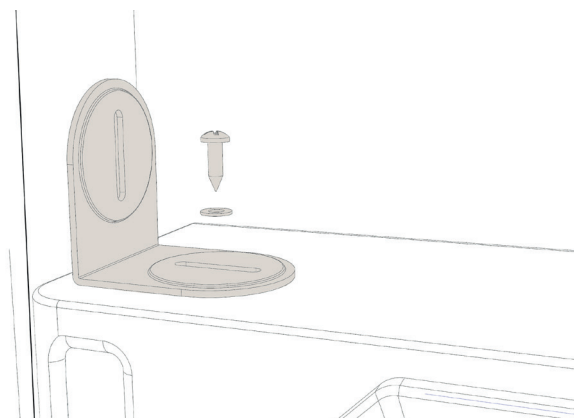
1. Using the appropriate Locator Bung Template, mark the screw hole positions on the nogging of where the locators will need to be fixed. There are templates that cover both horizontal and vertical installation there are different fixing points depending on whether you are going to use the grilles or not. These are all marked on the template.
2. Fix the locators (C) to the nogging using normal wood screws - not supplied. We recommend minimum No8 x 30 mm



3. Fit the isolator feet (A) to the bottom of the cabinet using the supplied 4.5 x 25 mm large head screws (B).



4. If space allows, it is advisable to fit the supplied isolation pads (H) to the sides of the cabinets to isolate them from the studs.
5. Fix the L shaped brackets (E) to top of the cabinet using the supplied No12 x 19 mm screws (F) and washer (G). Do not tighten them up fully.



6. Connect the speaker cables to the terminals.

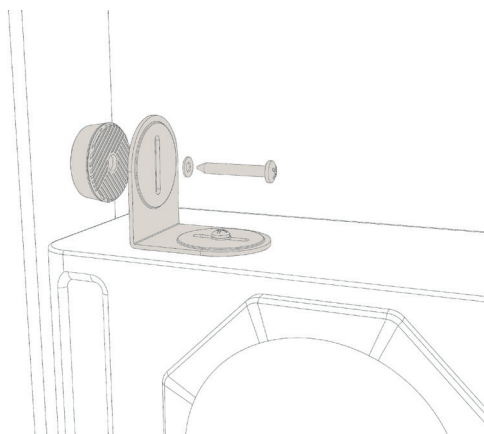


**IMPORTANT: If bi-wiring/ bi-amping, remove the links between the terminals.**

7. Sit speaker on locators.



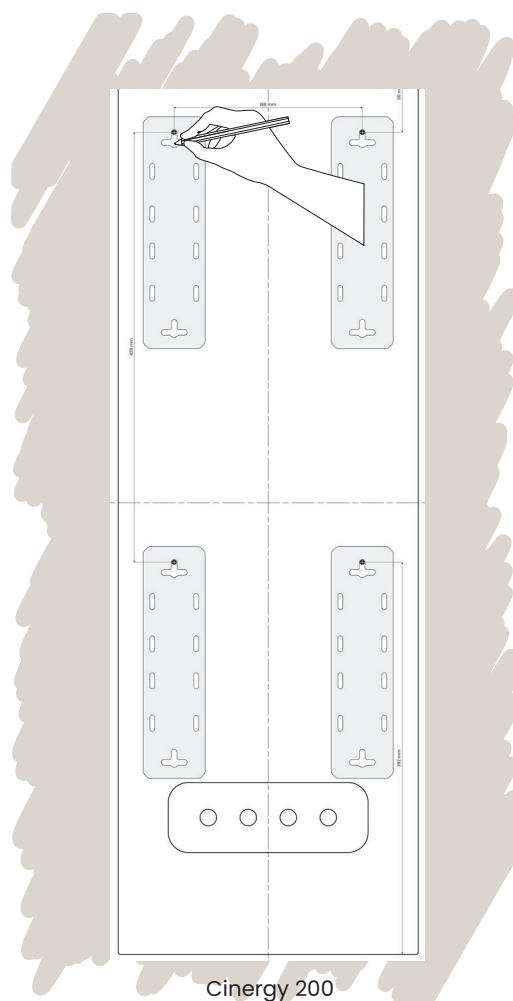
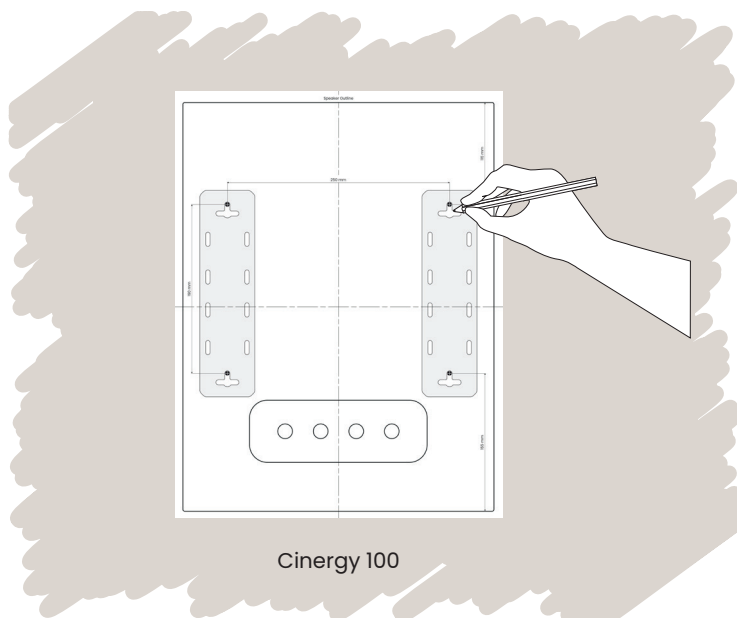
- Position the bracket isolator (D) between the L shaped bracket and stud and screw in place with a washer (G) and a standard screw, minimum No8 x 30 mm - Not supplied.



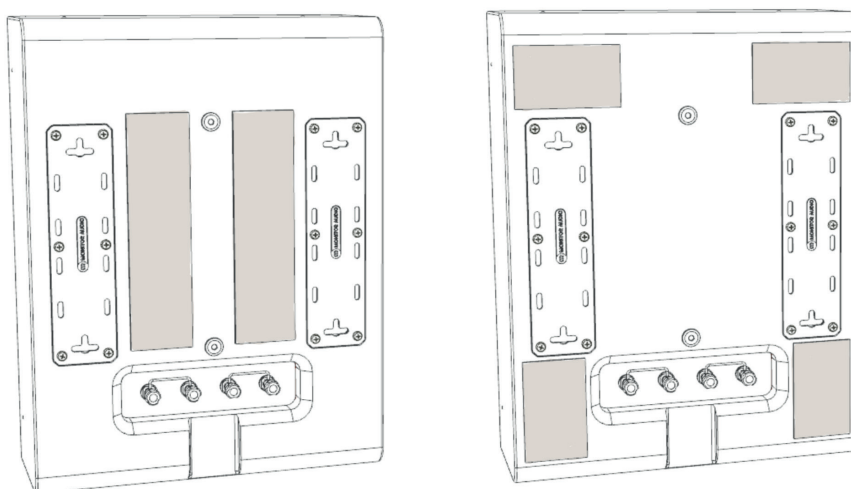
- Tighten L shaped bracket screws (F) that fix it to cabinet.

## On Wall Installation

1. Using the template provided mark the fixing points on the wall. This can be either horizontal or vertical. Only 2 fixing points are needed, but 4 can be used.



2. Drill the holes appropriate to the wall construction and fixing method. Fixings are not supplied for this stage. Using appropriate screws (again, not provided), screw them into the wall/ plugs so the screw head protrudes by 10 mm.
3. Fit the isolation pads (H) to the back of the cabinet. All pads can be used, and also cut for optimum isolation. Recommended positions illustrated below.



4. Connect the speaker cables to the terminals and hook the loudspeaker on to the screws.



**IMPORTANT: If bi-wiring/ bi-amping, remove the links between the terminals.**

## Tips

**Cable Routing and Size** - There are channels cut out of the back of the cabinet to run the cables if the speakers are tight against the wall. These run from the bottom of the cabinet to the terminals. The cable channel will accept cable up to 10 mm OD.

**Impedance** - The impedance of loudspeaker cables must not be any more than 1/20 of DCR of the speaker. Increasing the DC resistance of the cables reduces the electrical damping of the bass driver making bass sound looser and will affect the crossover changing the frequency and Q of the passive filter network.

**Plaster Boarding/ Dry Walling** - When at the boarding stage, it is important not to cover the area where the L Shaped brackets are. This is to allow access to them should the speaker need servicing at any point.

## Cinergy 300

The Cinergy 300 can be installed within the stud work of the wall or free standing within the room. There is a plinth for the Cinergy 300 to improve stability when free standing within the room.

The Cinergy 300 can also be raised within the stud work to bring it closer to ear level. If doing this, it should sit on a raised platform within the stud work and held in place at the top with the L Shaped Brackets.

The isolation feet can be used both with the plinth and directly into the bottom of the cabinet. Additionally, there are spiked feet for use on carpeted floor.

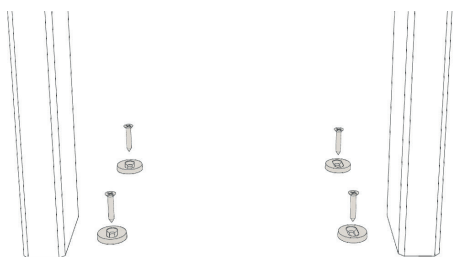
### In Wall Installation

**IMPORTANT:** Depending on the height of the MLP, the mid - tweeter array assembly and bass unit can be swapped over. This should be done prior to installation and is done by undoing the bolt directly behind each unit and then disconnect them. When swapping them over, make sure you connect the correct speaker cables. ie, the same ones they were disconnected from. They are colour coded to ensure this is done correctly.

**NOTE:** Depending on the type of floor, the isolators or spiked feet can be used. If using the spikes, these can be screwed directly into the cabinet or the plinth.

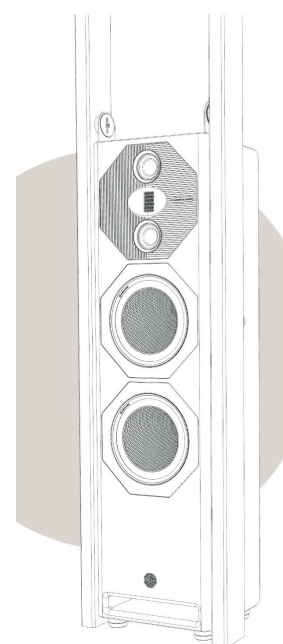
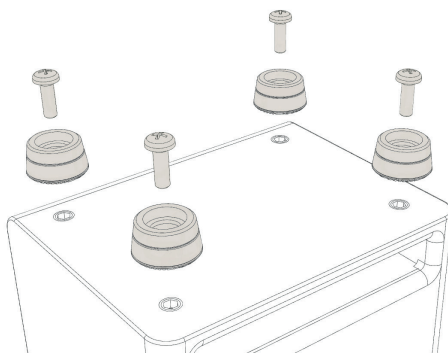
1. If using the isolating feet, it is recommended the isolator locators (C) are used and should be screwed into the floor/ platform first. Use the template provided to ensure these are in the correct positions.

Screws are not supplied and appropriate fixings should be used for the floor type they are being fixed to.



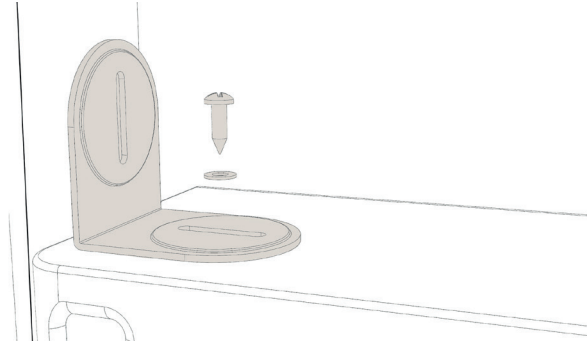
2. Fit the isolator feet (A) to the bottom of the cabinet using the supplied M10 x 25 mm screws (P).

**IMPORTANT:** Do not walk the cabinet on the feet as this could cause damage to the isolation units. The speaker must be lifted into position.



- Fix the L shaped brackets (E) to top of the cabinet using the supplied No12 x 19 mm screws (F) and washer (G). Do not tighten them up fully.

**NOTE:** There are no pilot holes in the Cinergy 300. These need to be made using a 3 mm drill bit in the location you need the brackets to be secured.



- Connect the speaker cables to the terminals.

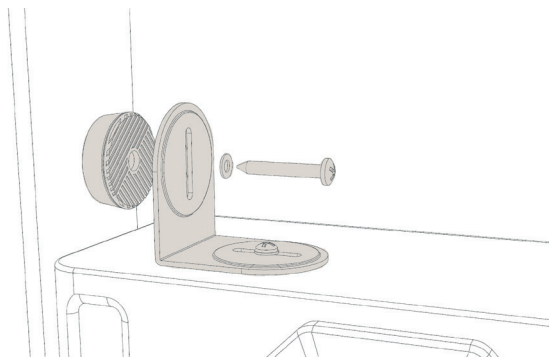
**IMPORTANT:** If bi-wiring/ bi-amping, remove the links between the terminals.

- Position the loudspeaker on locators.

**IMPORTANT:** Do not walk the cabinet on the feet as this could cause damage to the isolation units. The speaker must be lifted into position.

**IMPORTANT:** Due to the weight of the loudspeaker, we recommend a 2 person lift.

- Position the bracket isolator (D) between the L shaped bracket and stud and screw in place with a washer (G) and a standard screw, minimum No8 x 30 mm - Not supplied.

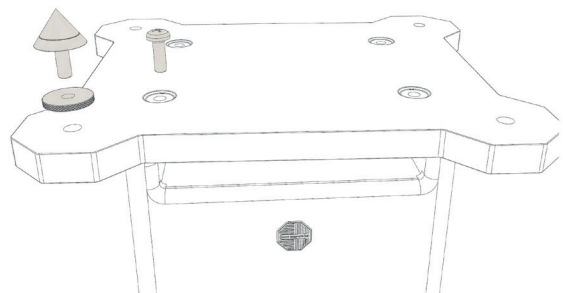
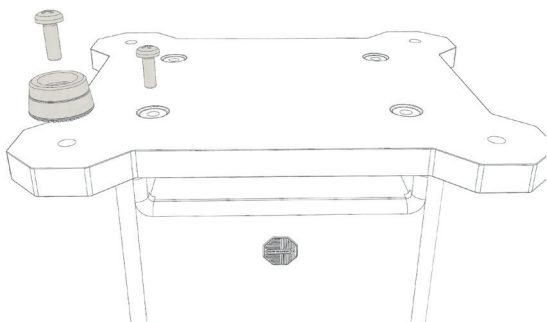


- Tighten L shaped bracket screws (F) that fix it to cabinet.

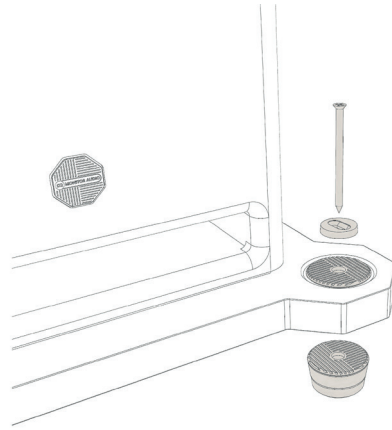
## Free Standing

When free standing in the room, the plinth (L) should be fitted to the Cinergy 300. Use either the isolator feet (A) or spikes (J) can be used, depending on the type of installation.

The plinth is fitted to the cabinet using the supplied M10 x 40 mm (N) bolts and the isolators to the plinth using the M10 x 30 mm bolts (O).



When using the isolator feet, it is possible to screw the Cinergy 300 directly into the floor. This is done by positioning the speaker where required and using a long self tapping screw - not supplied. Screw through the plinth and foot into the floor.



# Cinergy Sub15

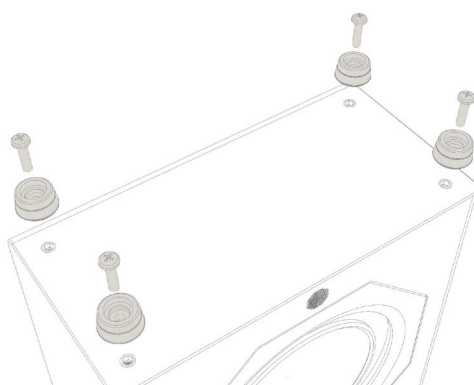
The subwoofer should be installed directly on the floor using the isolation feet and locators. The subwoofer will not fit within standard stud widths.

1. If using the isolating feet, it is recommended the isolator locators (C) are used and should be screwed into the floor first. Use the template provided to ensure these are in the correct positions.

Screws are not supplied and appropriate fixings should be used for the floor type they are being fixed to.



2. Fix the isolating feet (A) to the bottom of the cabinet using the supplied M10 x 25 mm (P) screws.



3. Fix the L shaped brackets (E) to top of the cabinet using the supplied No12 x 19 mm screws (F). Do not tighten them up fully.

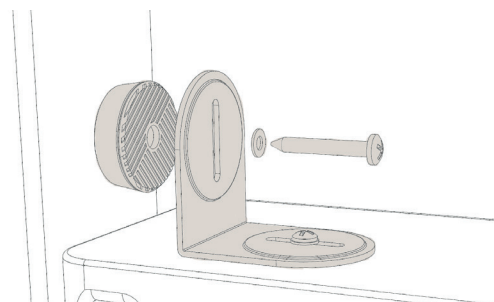
**NOTE:** There are no pilot holes in the Cinergy Sub15. These need to be made using a 3 mm drill bit in the location you need the brackets to be secured

4. Connect the speaker cables to the terminals.
5. Position the loudspeaker on locators.

**IMPORTANT:** Do not walk the cabinet on the feet as this could cause damage to the isolation units. The speaker must be lifted into position.

**IMPORTANT:** Due to the weight of the loudspeaker, we recommend a 2 person lift.

6. Position the bracket isolator (D) between the L shaped bracket and stud and screw in place with a washer (G) and a standard screw, minimum No8 x 30 mm - Not supplied.

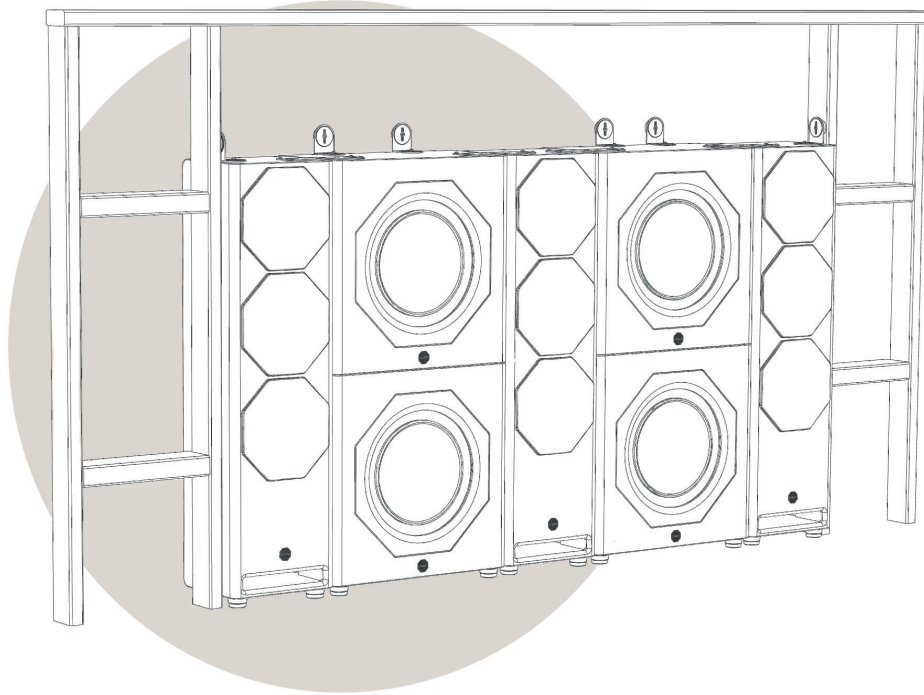


7. Tighten L shaped screws (F) that fix it to cabinet.

## Sound Wall

Cinergy 300 and Cinergy Sub15 can be installed together to create a "Sound Wall".

This is done using 3 x Cinergy 300's for left, centre and right duties and 4 x Cinergy Sub15's.

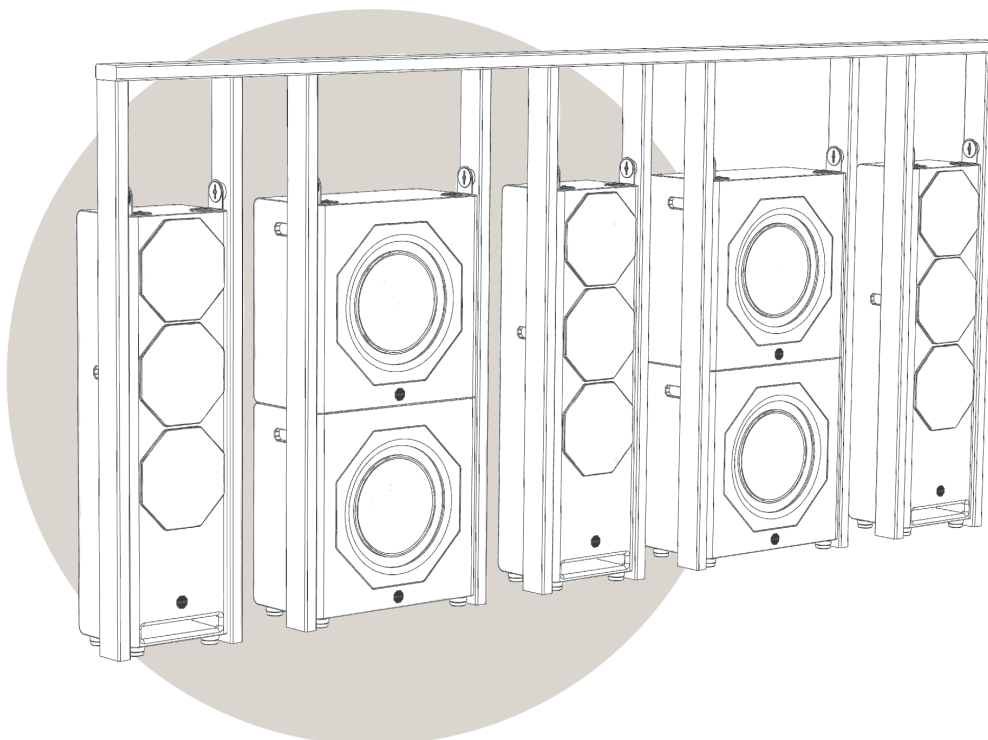


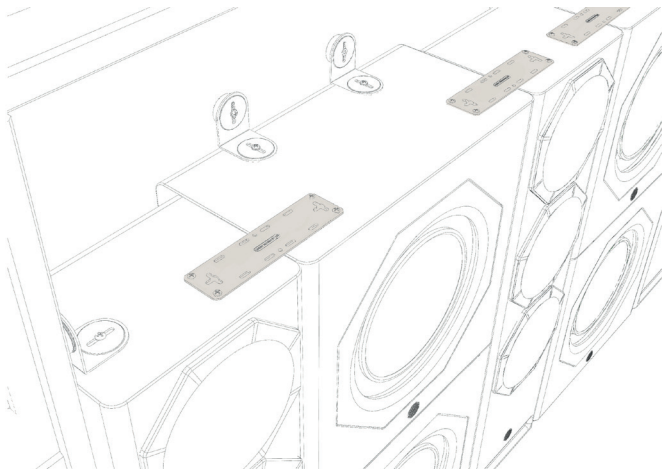
### Installation

This system should be installed within a framework standing on the isolation feet. This ensures that the speakers and subwoofers will all be at the same height when in position and can be joined together. Not only can they be installed directly on to the floor, but also installed on to a raised plinth to ensure the mid - tweeter arrays are at ear height. If installing on a raised plinth, this should be constructed to take the total weight of the whole setup (3 x Cinergy 300 and 4 x Cinergy Sub15's).

When positioned next to each other as in the illustration above, the Cinergy 300 and Sub should be joined together using the supplied plates. The subs should also be joined to the wall using the L shaped brackets and the Cinergy 300 to the stud work.

If the speakers are separated by stud work to make the soundstage wider and to accommodate a larger screen, the L shaped brackets should be used to anchor the loudspeakers to the stud work and/ or the wall. Likewise, the flat wall plates can also be used to secure the loudspeakers.





## Appendix

### 3rd Party Amplifier EQ Profiles

Below are tables with some guidance on how to equalise the Cinergy products in the various scenarios if using a third party manufacturer amplifier.

**Cinergy 100 On Wall EQ**

Centre Frequency	Q	Gain (dB)
260 Hz	2.5	3
600 Hz	2	-2.5
900 Hz	3	2
1330 Hz	4	-4

**Cinergy 200 On Wall EQ**

Centre Frequency	Q	Gain (dB)
300 Hz	1.5	4
600 Hz	2	-1

**Cinergy 300 In Wall (MPT) EQ**

Centre Frequency	Q	Gain (dB)
150 Hz	0.8	-2.5
740 Hz	1.2	1.5
1800 Hz	2	-0.5

**Cinergy 300 In Wall (MPM) EQ**

Centre Frequency	Q	Gain (dB)
190 Hz	1.8	-3
800 Hz	1.2	3

### The Cinema Designer

The Cinema Designer has all of the details of the Cinergy loudspeakers to be able to design the ultimate home cinema system. This extremely powerful design tool can be used for room design, acoustic treatment requirements, speaker configurations and layouts.

## Warranty

Monitor Audio Ltd offers a Lifetime Warranty on selected products in the Custom Installation speaker range.

This applies to the first end-user purchaser, and only when purchased from an authorised Monitor Audio Dealer/Distributor. Monitor Audio will undertake to guarantee the product will be free from defective workmanship and materials for the life of such. Monitor Audio will at its discretion and expense either repair the defect using new or refurbished parts, or replace the Product with a new or re-manufactured Product of a reasonable equivalent. In all instances Monitor Audio's liability will not exceed the Purchase Price.

The Lifetime Warranty applicable only if system is installed by a Monitor Audio Group certified professional. Proof of purchase, installation and maintenance agreement may be required



# Specifications

	Cinergy 100	Cinergy 200	Cinergy 300	Cinergy Sub15
THX Certification	THX® Certified Ultra	THX® Certified Ultra	THX® Certified Ultra	THX® Certified Ultra (with 2 x Cinergy Sub15's)
System Format	3 Way	3 Way	3 Way	N/A
Sensitivity (2.83 Vrms @ 1 M)	89 dB	90 dB	90 dB	86 dB @ 100 Hz
Maximum Linear SPL**** (@1 m, free space)	Continuous 103 dB, Peak 116 dB	Continuous 109 dB, Peak 122 dB	Continuous 109 dB, Peak 122 dB	Continuous 109 dB, Peak 120 dB
Power Handling (R.M.S)	Continuous 200 W, Peak* 800 W	Continuous 350 W, Peak* 1400 W	Continuous 350 W, Peak* 1400 W	Continuous 600 W, Peak* 1500 W (Band limited****)
Nominal Impedance	4 Ohms	4 Ohms	4 Ohms	4 Ohms
Minimum Impedance (20 Hz - 20 kHz)	3.8 Ohms	3.8 Ohms	3.8 Ohms	4 Ohms
Recommended Low Frequency Crossover Frequency	80 - 100 Hz (High Pass)	80 - 100 Hz (High Pass)	40 - 80 Hz (High Pass)	40 - 100 Hz (Low Pass)
Recommended Amp Requirements (R.M.S)	100 - 800 W (IA125-4 or IA750-2)	200 - 1400 W (IA125-4 or IA750-2)	200 - 1400 W (IA125-4 or IA750-2)	Must be used with IA750-2 or 750-4 running C Sub Profile
Bass Alignment	Ported**	Ported**	Ported**	Sealed
Port Tuning Frequency	67 Hz**	47 Hz**	38 Hz**	N/A
LF Extension, In Wall, With Port Bungs (- 6 dB)	48 Hz	47 Hz	42 Hz	N/A
LF Extension, In Free Space, No Port Bungs (- 6 dB)	65 Hz	47 Hz	42 Hz	17 Hz (IA750-2)
HF Extension (-6 dB)	>30 kHz	>30 kHz	>30 kHz	N/A
Drive Unit Complement	1 x 8" RDT Driver 1 x 2.5" C-CAM Driver 1 x MPD Transducer	2 x 8" RDT Driver 2 x 2.5" C-CAM Driver 1 x MPD Transducer	2 x 8" RDT Driver 2 x 2.5" C-CAM Driver 1 x MPD Transducer	1 x 15" Ultra high Excursion C-CAM Driver
External Dimensions (Cabinet Only) (H x W x D)	460 x 350 x 160 mm 18 1/8 x 13 3/4 x 6 5/16 inch	904 x 300 x 160 mm 35 9/16 x 11 13/16 x 6 5/16 inch	1080 x 300 x 240 mm 42 1/2 x 11 13/16 x 9 7/16 inch	540 x 540 x 280 mm 21 1/4 x 21 1/4 x 11 inch
External Dimensions (Inc Grille) (H x W x D)	460 x 350 x 174.1 mm 18 1/8 x 13 3/4 x 6 7/8 inch	904 x 300 x 173.6 mm 35 9/16 x 11 13/16 x 6 13/16 inch	1080 x 300 x 253.6 mm 42 1/2 x 11 13/16 x 10 inch	N/A
Max External Dimensions (Inc all Fittings) (H x W x D)	460 x 350 x 174.1 mm 18 1/8 x 13 3/4 x 6 7/8 inch	904 x 300 x 173.6 mm 35 9/16 x 11 13/16 x 6 13/16 inch	1132 x 438 x 253.6 mm 44 9/16 x 17 1/4 x 10 inch	567 x 540 x 280 mm 22 5/16 x 21 1/4 x 11 inch
Product Weight	18.4 Kg 40 lb 8 oz	30 Kg 66 lb	40.4 Kg 88 lb 14 oz	38.5 Kg 84 lb 12 oz

\* Calculated from a peak voltage, this is not a true power figure but useful for comparisons.

\*\* When used in an In-Wall or On-Wall configuration it is recommended to use the fitted port bungs to control bass output. This will effectively make the product a sealed box.

\*\*\* Band limited with Low pass at 200 Hz, should only be used with IA750-2 and the correct speaker profile.

\*\*\*\* Tested with a music like noise signal with distortion and power compression remaining below audible limits.

THX® Certified Loudspeakers

THX® and the THX® Logo are the property of THX® Ltd., registered in the U.S. and other countries.

Monitor Audio  
24 Brook Road  
Rayleigh, Essex  
SS6 7XJ  
England

T: +44 (0)1268 740580  
E: [info@monitoraudio.com](mailto:info@monitoraudio.com)  
W: [monitoraudio.com](http://monitoraudio.com)

©Monitor Audio Ltd. V2-2023

