



INSTALLATION GUIDE

Hisense Laser TV Screen

Read this guide carefully before installing the product and make sure you understand all the content



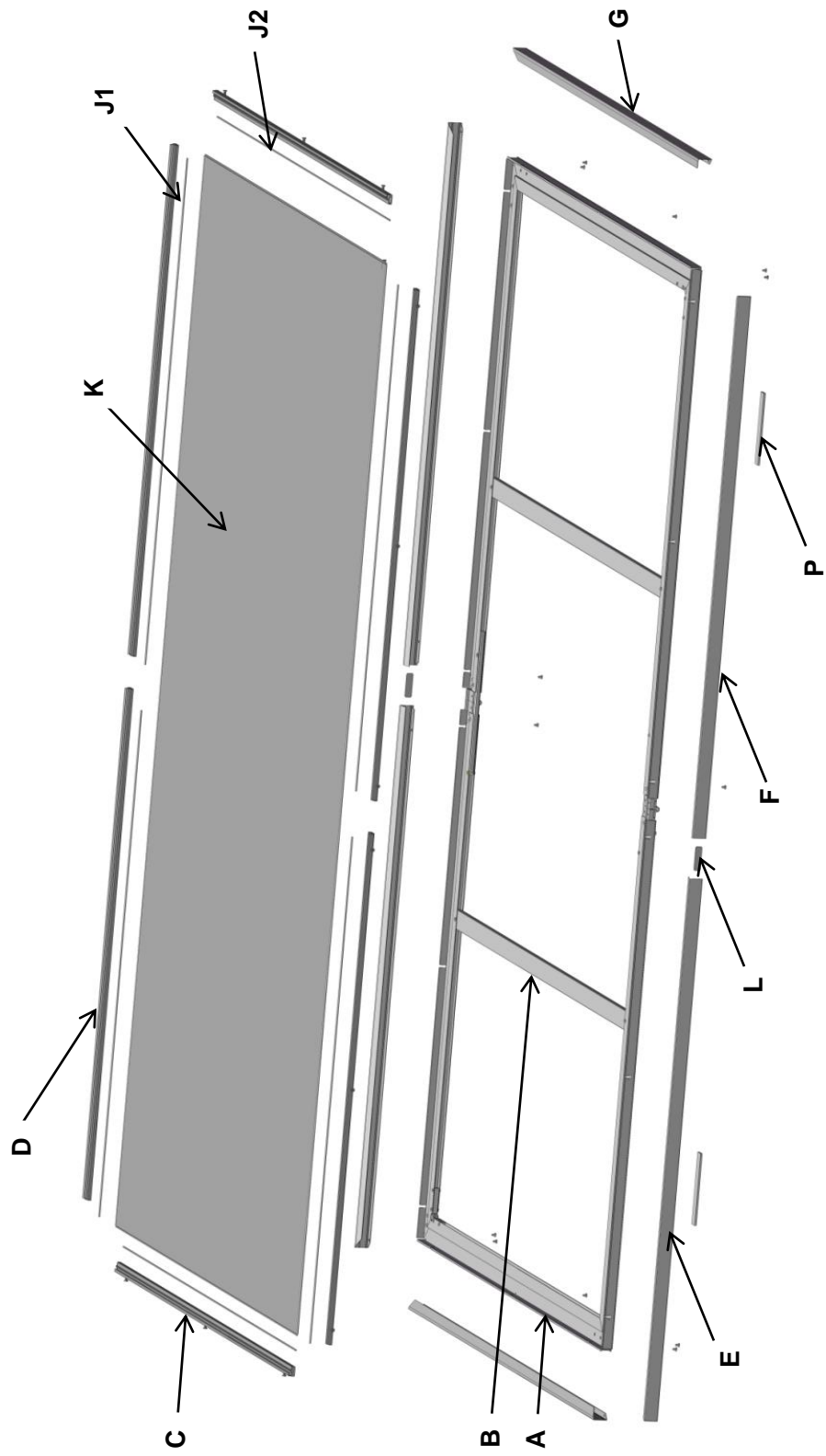
Scan the QR code above for installation guide video.



Scan the QR code above for Multilingual QSGs.

ENGLISH

Overall Structural Diagram of Laser TV screen



Required Tools



Hardware and Parts Lists

The appearance drawing in this manual is a schematic diagram. Please refer to the purchased actual product. After opening the package, please check the part list carefully. Due to product upgrading, the accessories are subject to change without prior notice.

Code	Picture	QTY	Code	Picture	QTY
(A) The inner frame unit		2	(L) The connectors		2
(B) Vertical beam		2	*(M) M4X6 screw		24
(C) Short side pull rods		2	*(N) M4X16 screw		18
(D) Long side pull rods		4	(P) 150X20 Velcro		2
(E) Left long side outer frame pieces		2	(Q) The white protective sheet		1
(F) Right long side outer frame pieces		2	(V) Wall mount		2
(G) The short side outer frame pieces		2	(W) Adjusting rods		2
*(H) Inner frame connectors		2	(X) Connecting rods of hanging bracket		2
*(I) The connection bar		2	(Y) Gloves		2
(J1) Long side fiber rods		4	(Z1) Anchors and screws		4
*(J2) Short side fiber rods		2	(Z2) Plane nail		4
(K) Screen		1			

“*” Pre-installed or partial pre-installed

Read this guide carefully before installing this product and retain it for future reference.

Maintenance of Laser TV Screen

Use dust-free soft cotton cloth dipped in absolute ethanol to wipe gently the screen and frame.

Warning

- Do not touch or wipe the screen directly by hands or with an ordinary towel.
- Do not expose the screen to dripping or splashing.
- Do not place the screen on an unstable cart, tripod or desktop. Dropping may cause serious damage and injuries.
- Do not scratch or touch the screen with hard or sharp objects.
- Do not expose the screen to direct sunlight.
- Do not place the screen near inflammable, explosive and other dangerous objects.
- Disclaimer: All products, product specifications and data are subject to change without notice to improve reliability, function, design or other aspects.

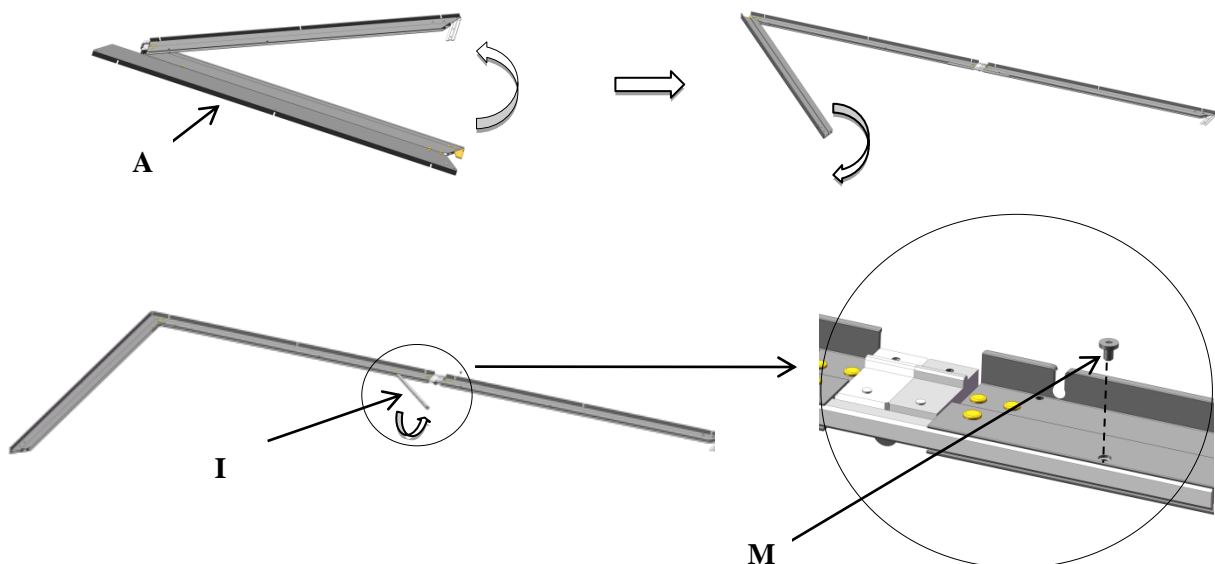
Assembling the Screen

The installation procedure is divided into four parts: Assembling the inner frame, Assembling the screen, Assembling Outer Frame, Assembling Mounting Bracket. Find a spacious, flat and clean place for installation.

Find a spacious, flat and clean place for installation.

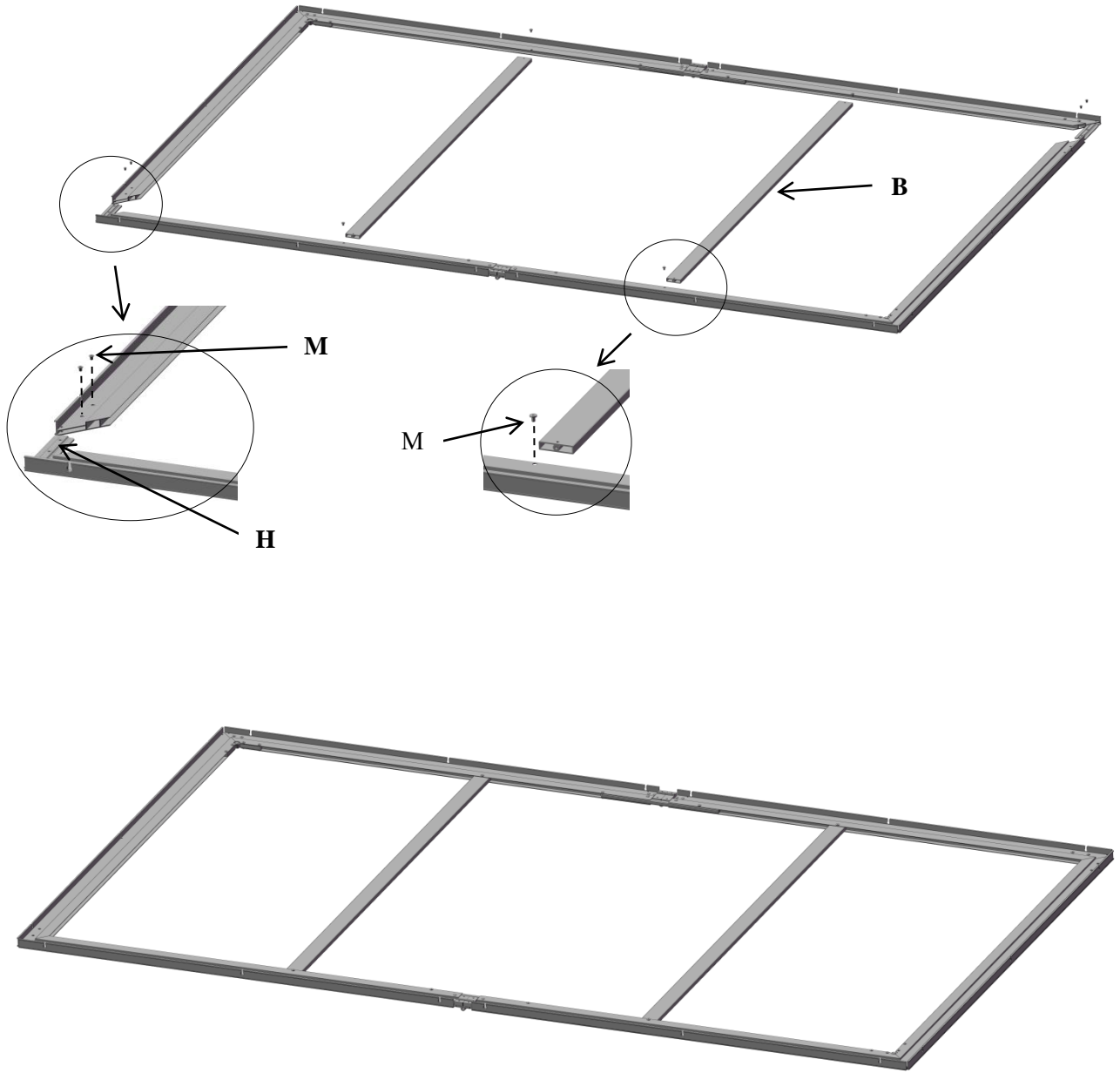
I. Assembling the inner frame

1. Spread out the white protective sheet (**Q**) on the floor.
2. Put on gloves (**Y**), assemble the inner frame unit (**A**).
3. Assemble the inner frame unit(**A**) and Vertical beam (**B**).



Note:

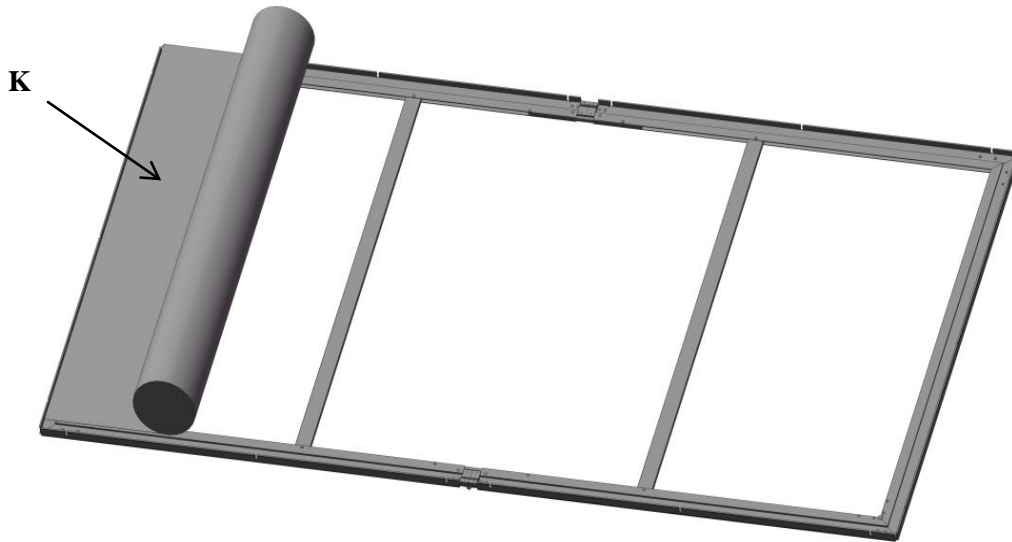
Remove the screws (M) (pre-installed) on the Inner frame connectors (H) (preinstalled), insert the two inner frame connectors (H) in diagonal position, and then tighten the screws (M) to attach the Inner frame connectors (H) .



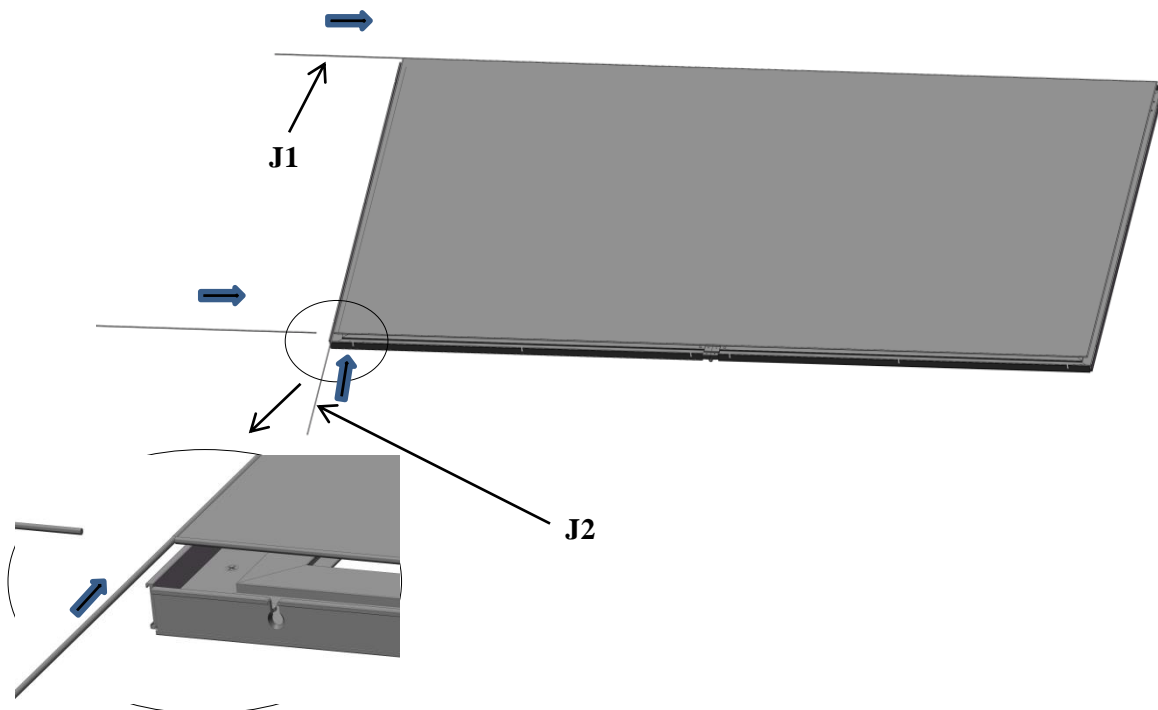
II. Assembling the screen

1. Carefully unroll the screen (K) on the frame in the direction shown in the figure then remove the protective cotton.

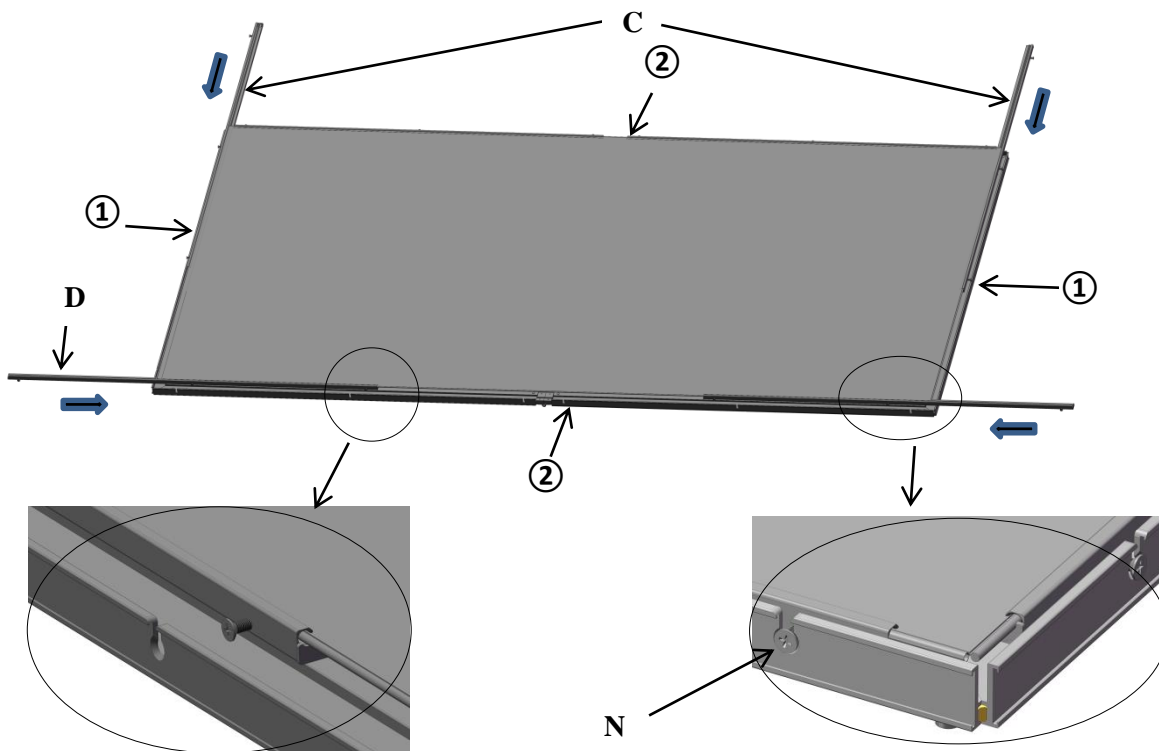
Note: Please pay attention not to scratch the screen and keep the side with “BOTTOM” upwards.



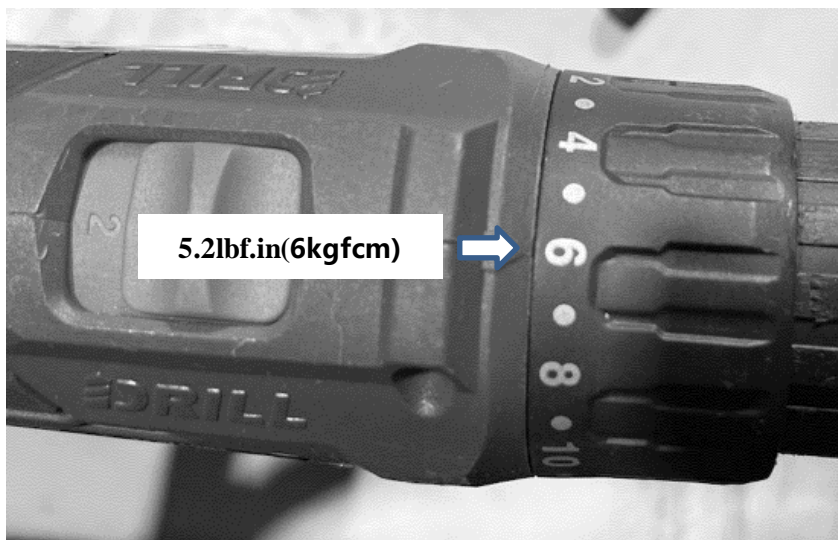
2. Completely insert 4 fiber rods (J1) into the sleeves of the two long sides . Insert the fiber rod (J2) into the sleeves of the short sides, another fiber rod (J2) that has be pre-installed in the factory.



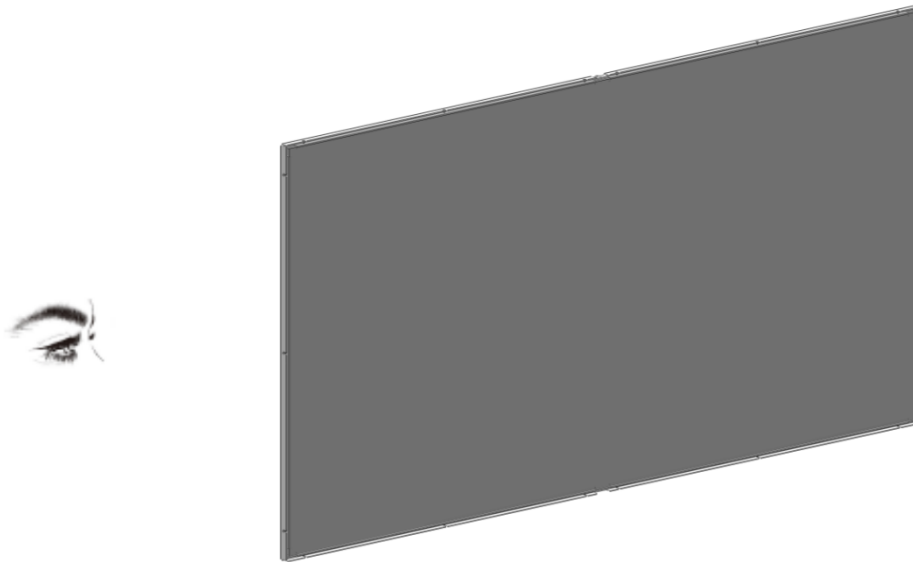
- Slide the edges of the screen into the grooves of the long side screen tension knobs (**D**) and the short side screen tension knobs (**C**).
- Adjust the position of the screen tension knob to fit the screen tension knob screw (**N**) (pre-installed) into the U-shaped groove of the frame.



- Tighten the screen tension knob screw (**N**) with **5.2lb.in (6kgfcm)** torque in the sequence of **1-1** → **2-2**.

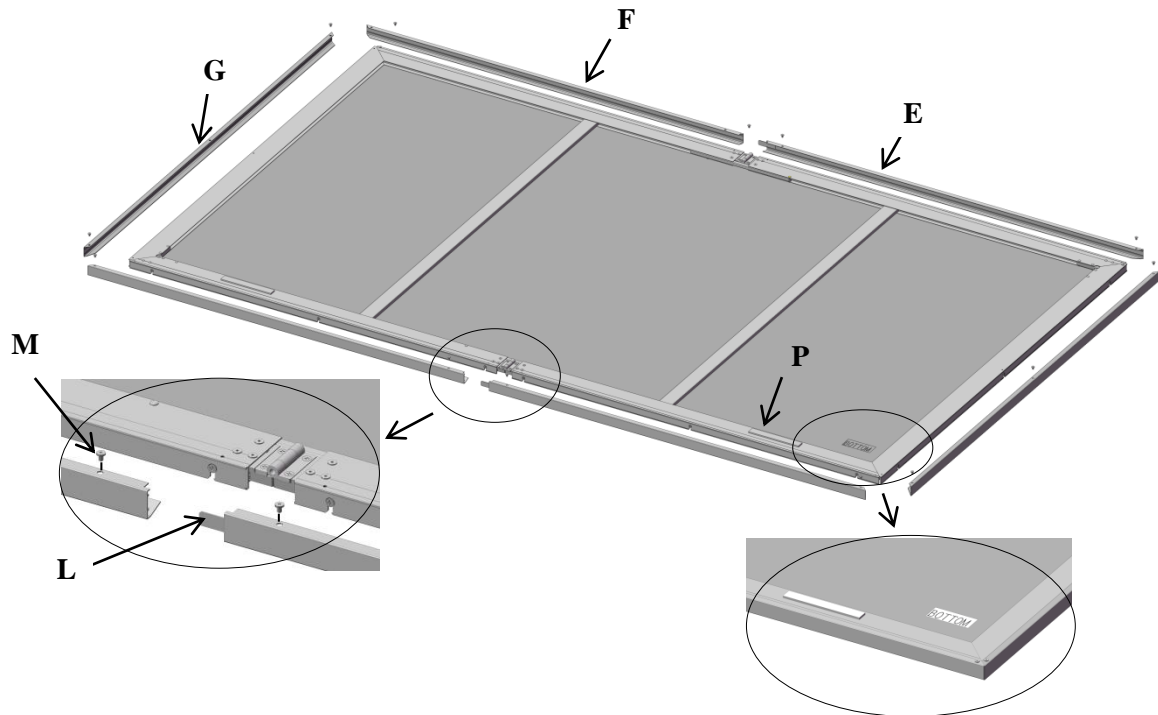


6. Place the screen upright to check if the front screen surface is flat. If not, adjust the tension of the screen tension knob screw (N) as needed.



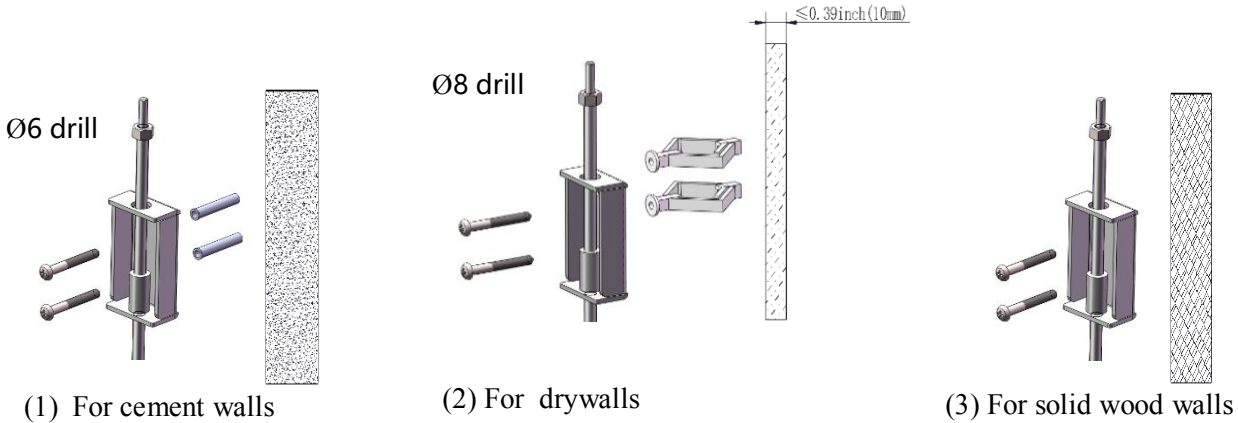
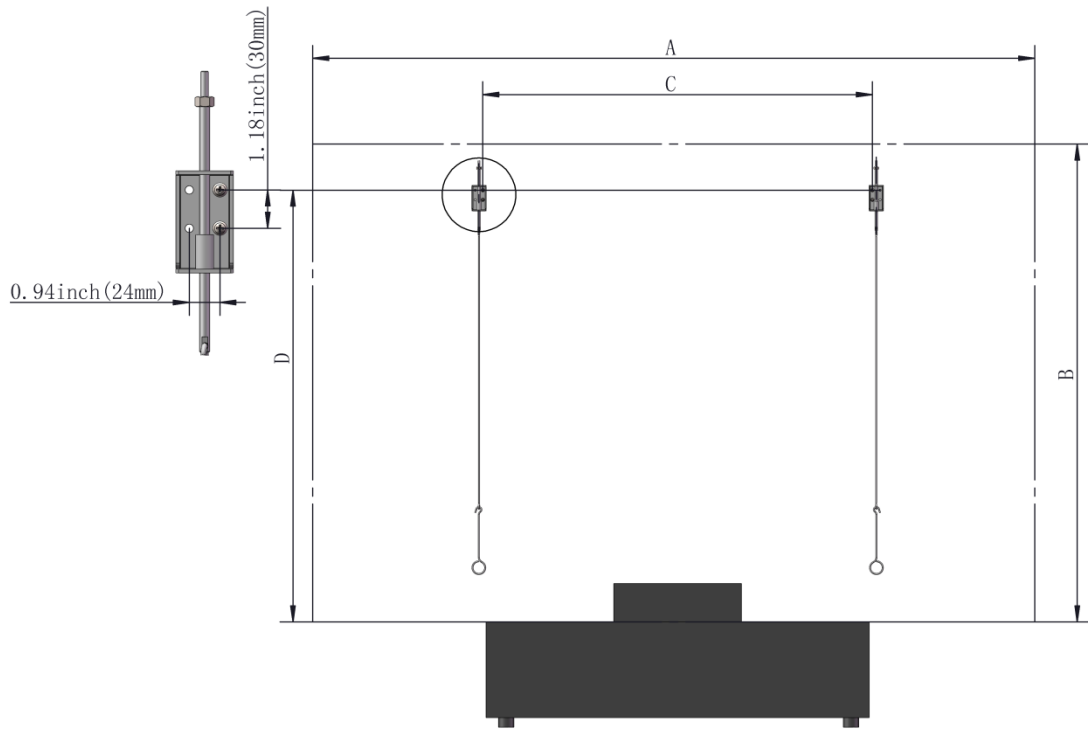
III. Assembling Outer Frame

1. Rotate the screen, with the label "BOTTOM" facing up.
2. Connect long side outer frame pieces (**E** and **F**) with the connectors (**L**), and fasten with screws (**M**).
3. Fix the short sides outer frame pieces (**G**) with screws (**M**).
4. Tear off the release film on one side of the Velcro (**P**) and attach them to the inner frame as shown in the illustration.



IV. Assembling Mounting Bracket

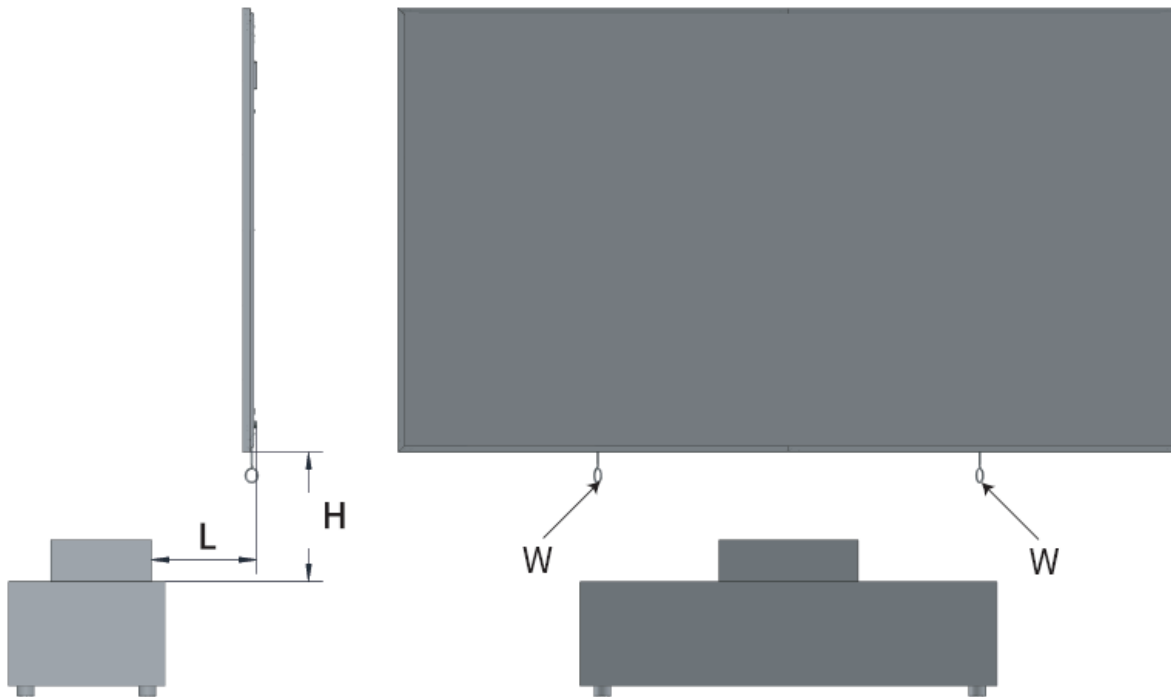
1. Pinpoint the positions according to the distance measurements in the illustration below.
2. There are three methods for installation, the first method (1) is used for solid wall, the second method (2) is used for drywalls or hollow walls (Thickness > 0.39inch(10mm)), and the third method (3) is used for solid wood wall, only screws used.
3. Drill holes on the wall with drill, insert the anchor (**Z1** or **Z2**), and then attach the mounting brackets to the wall.
4. Hang the connecting rods (**X**) on the mounting brackets, and then connect the adjusting rods (**W**) to the connecting rods.
5. Only two holes should be used for each wall mount (**V**).



Model	A (space for installation)	B (space for installation)	C	D
L5H	W > 90.6in. (W > 2.3m)	H > 66.9in. (H > 1.7m)	43.3 ± 11.8in. (1100 ± 300mm)	58.9in. (1496mm)
L9H	W > 90.6in. (W > 2.3m)	H > 66.9in. (H > 1.7m)	43.3 ± 11.8in. (1100 ± 300mm)	59.8in. (1518mm)

6. Hang the screen on the hanging brackets and check if it is horizontally straight. If not, twist adjusting rods (**W**) as needed.

Note: Make sure the “BOTTOM” label is at the bottom of the screen and facing the wall.



Model	L	H
L5H	12.9in. (327mm)	13.8in. (351mm)
L9H	11.9in. (303mm)	14.7in. (373mm)

Note: ±5% deviation is acceptable for L and H.

7. Fold and hide the adjusting rods (**W**) on the screen bracket on the bottom of the screen.

Note:

After the screen is mounted, tear off the release film on the other side of the Velcro (**P**) to attach the screen to the wall.

Tear off the protective tape on the four corners of the screen.

