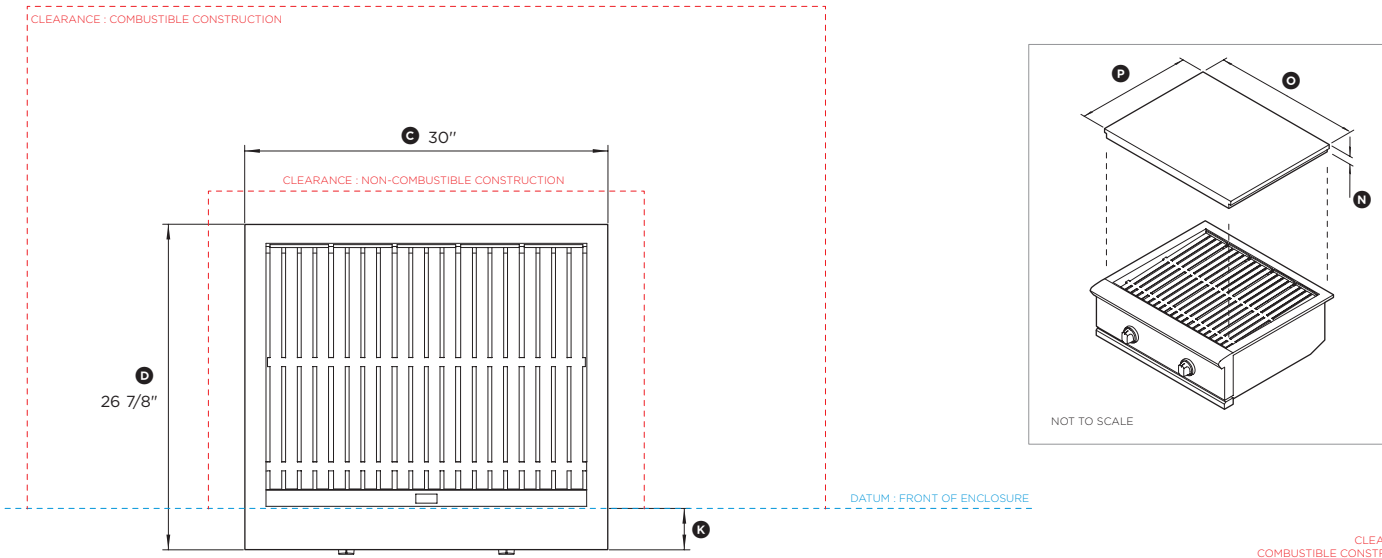


Data sheet

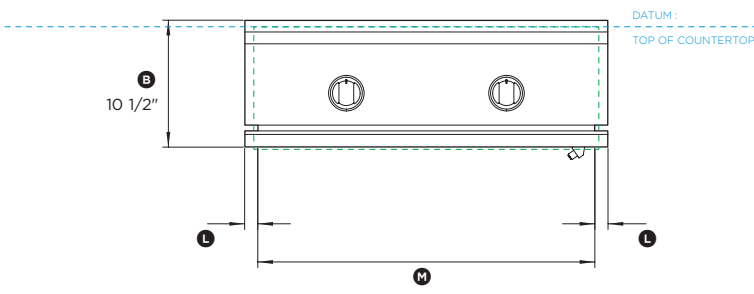
30" Outdoor Grill

Model no:

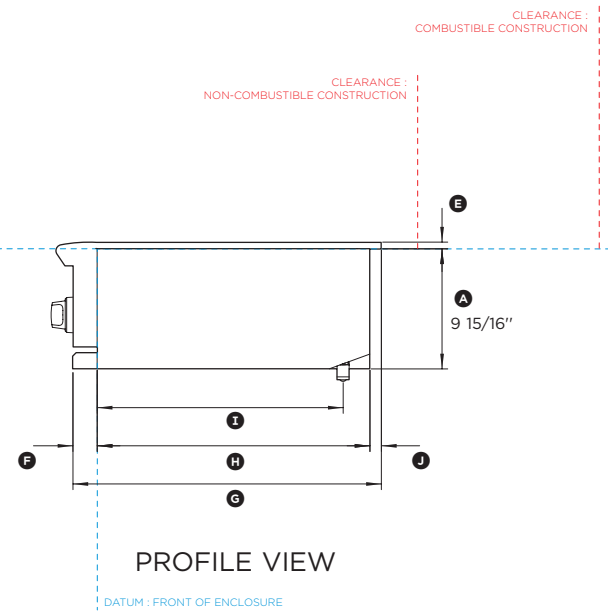
**BE1-30** (refer page 2 for metric measurement)



PLAN VIEW



FRONT VIEW



PROFILE VIEW

Dimensions	in
Ⓐ Height below countertop datum to bottom of chassis	9 15/16"
Ⓑ Overall height of grill	10 1/2"
Ⓒ Overall width of grill	30"
Ⓓ Overall depth of grill (excluding knobs)	26 7/8"
Ⓔ Height of chassis above countertop	9/16"
Ⓕ Depth of control panel to front datum	2 1/16"
Ⓖ Depth from control panel to rear of product	25 1/2"
Ⓗ Depth from front datum to rear of chassis below countertop	22 1/2"
Ⓘ Distance from front datum to gas inlet	20 5/16"
Ⓛ Depth of rear flange	15/16"
Ⓜ Depth from chassis bullnose to front datum	3 7/16"
Ⓦ Width of side flanges	1 1/16"
Ⓨ Width of chassis inside enclosure	27 13/16"
Ⓩ Height of lid	1 11/16"
Ⓟ Width of lid	29 1/2"
Ⓠ Depth of lid	23"

Minimum Clearances	in
Overall width of cavity	28 1/2"
Overall depth of cavity	22 3/4"
Overall height of cavity	10 1/8"
Clearance to vertical non-combustible surface above countertop at rear and sides	3"
Clearance to vertical combustible surface above countertop at rear and sides	18"

If the grill is to be placed into a combustible enclosure, an approved insulated jacket is necessary. Use only the DCS insulated jacket which has specifically been designed and tested for this purpose.

**30" insulated jacket part number: 70859**

INDICATES CUTOUT .....  
 INDICATES PRODUCT / CABINETRY DATUM .....  
 INDICATES CLEARANCES .....

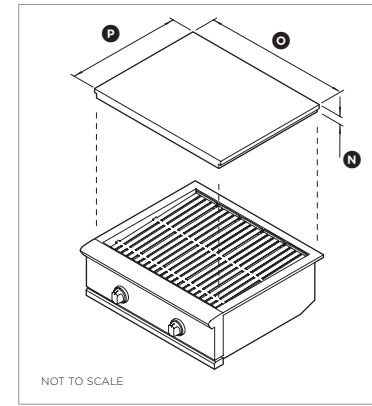
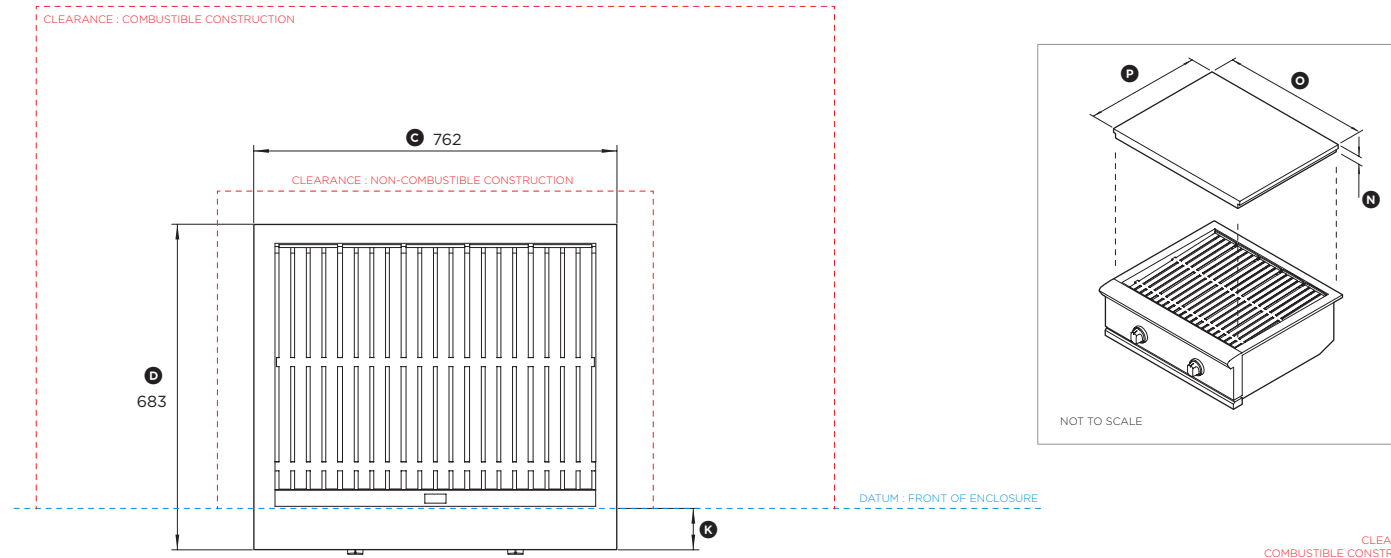
DATE: **12.03.2020**

IMPORTANT NOTE: Throughout this guide, dimensions may vary by ±2mm (1/16"). Please read the installation manual for detailed information on installing the product. [www.dcsappliances.com](http://www.dcsappliances.com)

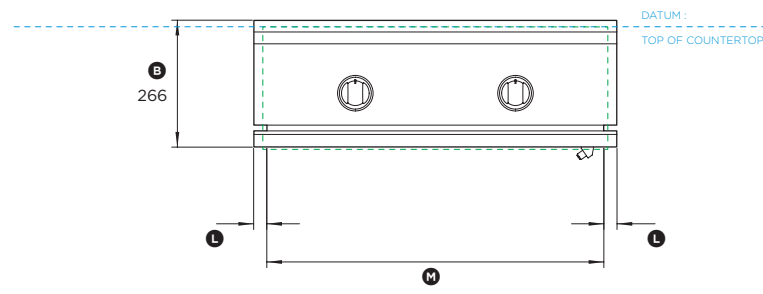


Model no:

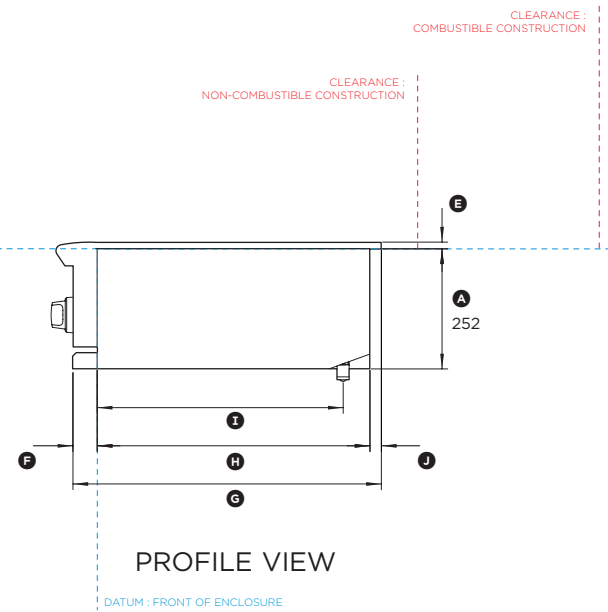
**BE1-30** (refer page 1 for imperial measurements)



PLAN VIEW



FRONT VIEW



PROFILE VIEW

Dimensions	mm
Ⓐ Height below countertop datum to bottom of chassis	252
Ⓑ Overall height of grill	266
Ⓒ Overall width of grill	762
Ⓓ Overall depth of grill (excluding knobs)	683
Ⓔ Height of chassis above countertop	14
Ⓕ Depth of control panel to front datum	52
Ⓖ Depth from control panel to rear of product	648
Ⓗ Depth from front datum to rear of chassis below countertop	572
Ⓘ Distance from front datum to gas inlet	516
Ⓛ Depth of rear flange	24
Ⓜ Depth from chassis bullnose to front datum	87
Ⓝ Width of side flanges	27.5
Ⓟ Width of chassis inside enclosure	707
Ⓢ Height of lid	43
Ⓣ Width of lid	750
Ⓤ Depth of lid	585

Minimum Clearances	mm
Overall width of cavity	724
Overall depth of cavity	578
Overall height of cavity	257
Clearance to vertical non-combustible surface above countertop at rear and sides	76
Clearance to vertical combustible surface above countertop at rear and sides	457

If the grill is to be placed into a combustible enclosure, an approved insulated jacket is necessary. Use only the DCS insulated jacket which has specifically been designed and tested for this purpose.

**30" insulated jacket part number: 70859**

INDICATES CUTOUT .....  
 INDICATES PRODUCT / CABINETY DATUM .....  
 INDICATES CLEARANCES .....

DATE: 12.03.2020

IMPORTANT NOTE: Throughout this guide, dimensions may vary by ±2mm (1/16"). Please read the installation manual for detailed information on installing the product. [www.dcsappliances.com](http://www.dcsappliances.com)

